



# **PARTS CATALOGUE**

**YFM660FWA (5KM3) EUROPE**

**YFM660FWAP (5KM4) OCEANIA**

YFM660FWA/YFM660FWAP  
PARTS CATALOGUE  
©2002 by Yamaha Motor Co., Ltd.  
1st Edition, Jan. 2002  
All rights reserved.  
Any reprinting or unauthorized use  
without the written permission of  
Yamaha Motor Co., Ltd.  
is expressly prohibited.  
Printed in Japan

**A3**

# FOREWORD

This Parts Catalogue is related to the parts for the model(s) in the below frame. When you are ordering replacement parts, please refer to this Parts Catalogue and quote both part numbers and part names correctly.

YFM660FWA(5KM3), YFM660FWAP(5KM4)

1. Modifications or additions which have been made after issue of the Parts Catalogue will be announced in the Yamaha Parts News. It is advisable that you make necessary corrections to the Parts Catalogue according to the Yamaha Parts News.

2. Abbreviations  
The Following abbreviations are used in this Parts Catalogue.

“UR” Use specified parts number.

“UN” Use as many as needed.

“AP” Alternate Parts

“LM” Local Made (Parts need to be ordered locally)

“F#” Frame No. (Applicable machine No.)

3. Parts, which are to be supplied in an assembly, are listed with a dot(.) in front of the part name as shown below.

EXAMPLE

CARBURETOR ASSY

.JET, PILOT

.NOZZLE, MAIN

4. Number of component for assembly  
The numeral appearing to the right of each component part indicates the quantity of parts for each assembly unit.

EXAMPLE

PART NO.	DESCRIPTION	Q'TY	REMARKS
2F5-83310-60	FRONT FLASHER LIGHT ASSY	2	
115-83311-60	.BULB (6V-18W)	1	
1M1-83309-60	.REFLECTOR	1	

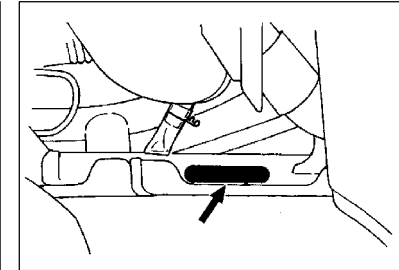
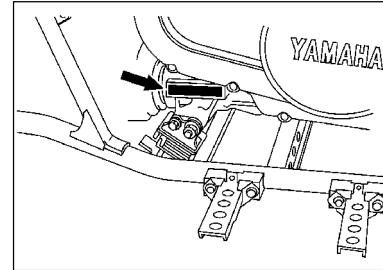
5. Applicable colors of graphics are represented in the “REMARKS” as shown below.

PART NO.	DESCRIPTION	Q'TY	REMARKS
2N4-24110-00-X5	FUEL TANK COMP.	1	MXR
3J1-24240-10	.GRAPHIC, FUEL TANK	1	FOR MXR

6. Applicable Serial No.

Engine Serial No.

Frame Serial No.



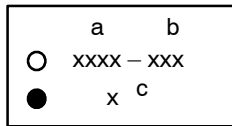
7. Note that the illustrations for reference in finding parts numbers, not to be used for assembling. When assembling, please use the applicable service manual.

8. The asterisk (\*) before a reference number indicates modification items after the first edition.

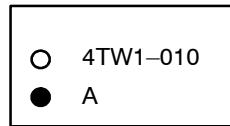
# MODEL LABEL

(1) A label called "Model Label" is affixed in the location as indicated in (3) below.  
When using this parts catalogue, please be sure to cross-refer the "model code – production code No." in the catalogue to the "model code – production code No." indicated on the Model Label affixed onto the product concerned.

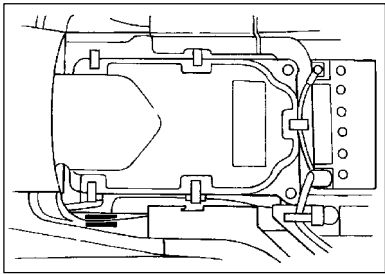
(2) "Model Label" Indication



a: Model Type Code  
b: Production Code No.  
c: Colouring Type



(3) Model Label Affixing Location



(4) Model Code – Production Code Number of Model Listed in This Parts Catalog

Model Code	Production Code No.	Country (destination)	Model Code	Production Code No.	Country (destination)
5KM3	010	SWITZERLAND			
	010	FRANCE			
	020	ENGLAND			
5KM4	010	AUSTRALIA			
		NEWZEALAND			

(5) Colouring Information

Model Code	Colouring type code	Colour code	Colour Name	Abbreviation
5KM3	00K0	A	PASTEL DEEP GREEN	PDG
5KM3	00TR	B	ROMANTIQUE ROUGE	RTR
5KM4	0583	D	DEEP PURPLISH BLUE SOLID E	DPBSE

# CONTENTS

## ENGINE

CYLINDER HEAD .....	B2
CYLINDER .....	B4
CRANKSHAFT. PISTON .....	B5
VALVE .....	B7
CAMSHAFT. CHAIN .....	B8
WATER PUMP .....	B9
RADIATOR. HOSE .....	B10
INTAKE .....	B12
OIL PUMP .....	B13
CARBURETOR .....	B15
EXHAUST .....	C3
CRANKCASE .....	C4
CRANKCASE COVER 1 .....	C6
STARTER .....	C8
STARTER CLUTCH .....	C9
CLUTCH .....	C10
TRANSMISSION .....	C12
MIDDLE DRIVE GEAR .....	C14
SHIFT CAM. FORK .....	D2
SHIFT SHAFT .....	D4

## CHASSIS

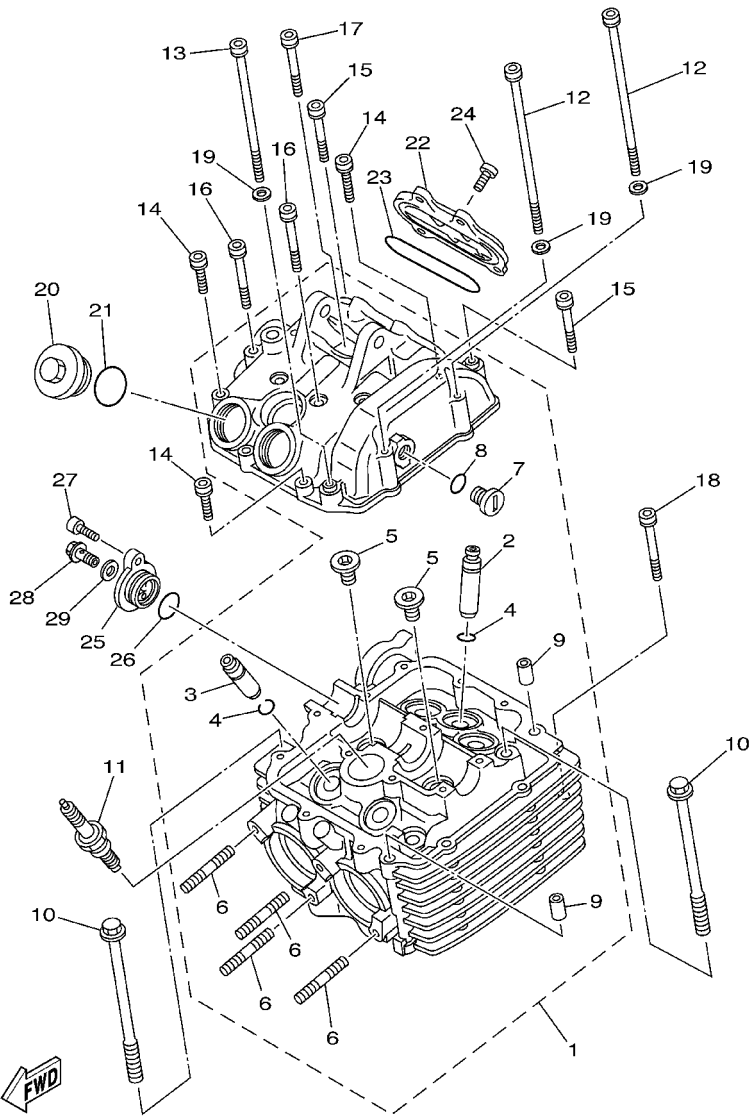
FRAME .....	D6
FRONT FENDER .....	D8
REAR FENDER .....	D10
SIDE COVER .....	D11
REAR ARM .....	D12
DRIVE SHAFT .....	D13
FRONT DIFFERENTIAL .....	E2

REAR SUSPENSION .....	E5
FRONT SUSPENSION. WHEEL .....	E6
STEERING .....	E7
FUEL TANK .....	E8
SEAT .....	E10
FRONT WHEEL .....	E11
FRONT BRAKE CALIPER .....	E13
REAR WHEEL .....	E14
REAR BRAKE CALIPER .....	F2
STEERING HANDLE. CABLE .....	F3
FRONT MASTER CYLINDER .....	F4
STAND. FOOTREST .....	F5
REAR MASTER CYLINDER .....	F6
GUARD .....	F8
GENERATOR .....	F9
STARTING MOTOR .....	F10
METER .....	F11
HEADLIGHT .....	F12
TAILLIGHT .....	F13
HANDLE SWITCH. LEVER .....	F14
ELECTRICAL 1 .....	F15
ELECTRICAL 2 .....	G4
EMBLEM.LABEL 1 .....	G5
EMBLEM.LABEL 2 .....	G6

## INDEX

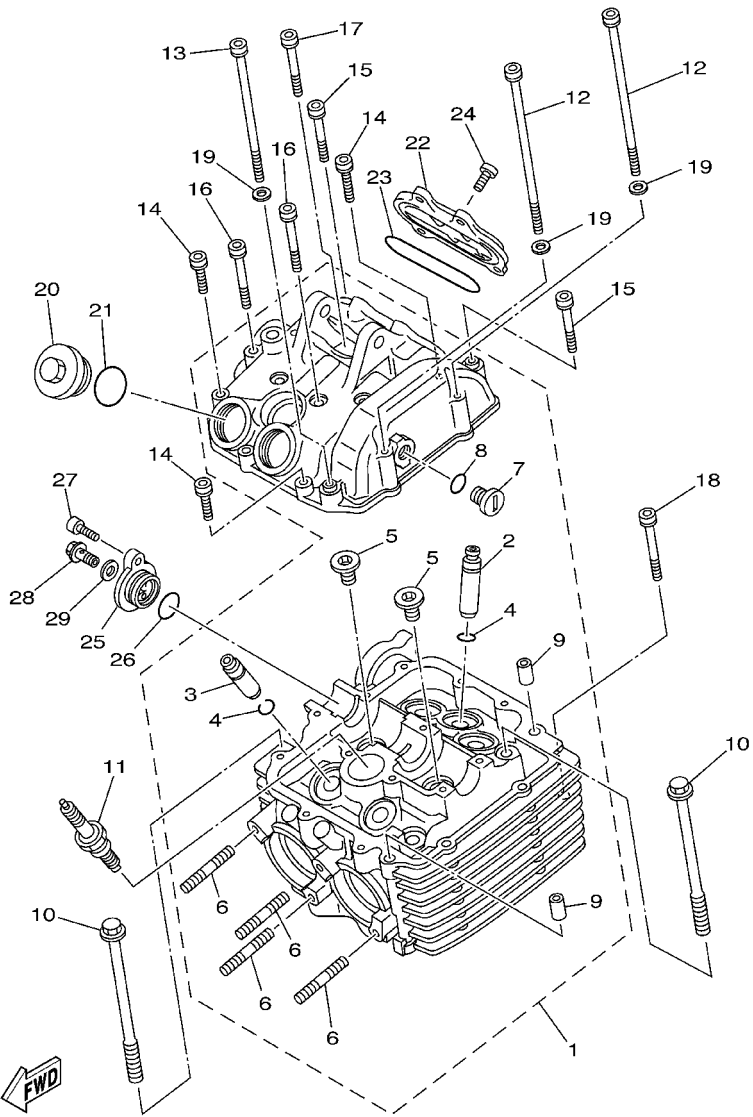
NUMERICAL INDEX .....	M1
-----------------------	----

FIG. 1 CYLINDER HEAD



5KM1100-2011

REF. NO.	PART NO.	DESCRIPTION	CHE	GBR	AUS	REMARKS
1	5KM-11101-00	CYLINDER HEAD ASSY	1	1	1	
2	5KM-11133-10	.GUIDE, INTAKE VALVE	3	3	3	
3	5KM-11134-10	.GUIDE, EXHAUST VALVE	2	2	2	
4	93440-10085	.CIRCLIP	5	5	5	
5	90340-18101	.PLUG, STRAIGHT SCREW	2	2	2	
6	95617-08625	.BOLT, STUD	4	4	4	
7	90340-14117	.PLUG, STRAIGHT SCREW	1	1	1	
8	93210-13657	.O-RING	1	1	1	
9	99530-10116	.PIN, DOWEL	2	2	2	
10	90105-09648	BOLT, FLANGE	4	4	4	
11	94701-00241	PLUG, SPARK (NGK DPR8EA-9)	1	1	1	
12	91317-06130	BOLT	2	2	2	
13	91317-06115	BOLT	1	1	1	
14	91317-06025	BOLT	5	5	5	
15	91317-06040	BOLT	2	2	2	
16	91317-06055	BOLT	6	6	6	
17	90109-063E9	BOLT	1	1	1	
18	91317-06050	BOLT	1	1	1	
19	92907-06600	WASHER, PLATE	3	3	3	
20	1L9-11186-00	COVER, CYLINDER HEAD SIDE 2	2	2	2	
21	93210-32172	O-RING	2	2	2	
22	3YF-11187-00	COVER, CYLINDER HEAD SIDE 3	1	1	1	
23	93210-71360	O-RING	1	1	1	
24	91317-06018	BOLT	4	4	4	
25	3TB-12215-01	CAP, TENSIONER CASE	1	1	1	
26	93210-19522	O-RING	1	1	1	
27	90110-06093	BOLT, HEXAGON SOCKET HEAD	1	1	1	

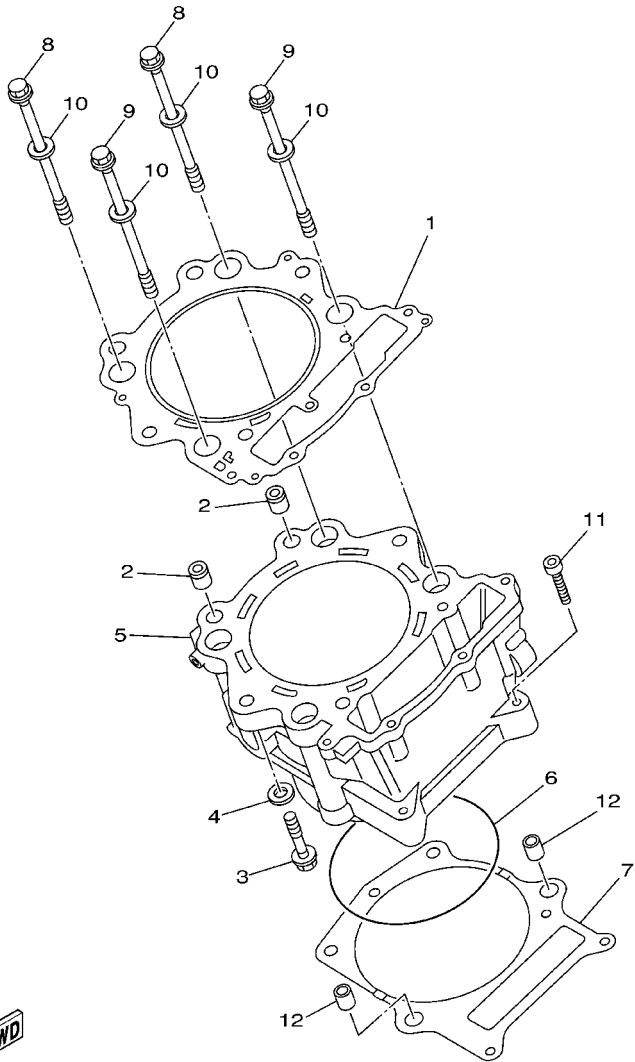


5KM1100-2011

FIG. 1 CYLINDER HEAD

REF. NO.	PART NO.	DESCRIPTION	CHE	GBR	AUS	REMARKS
28	90401-06001	BOLT, UNION	1	1	1	
29	90430-06192	GASKET	1	1	1	

FIG. 2 CYLINDER



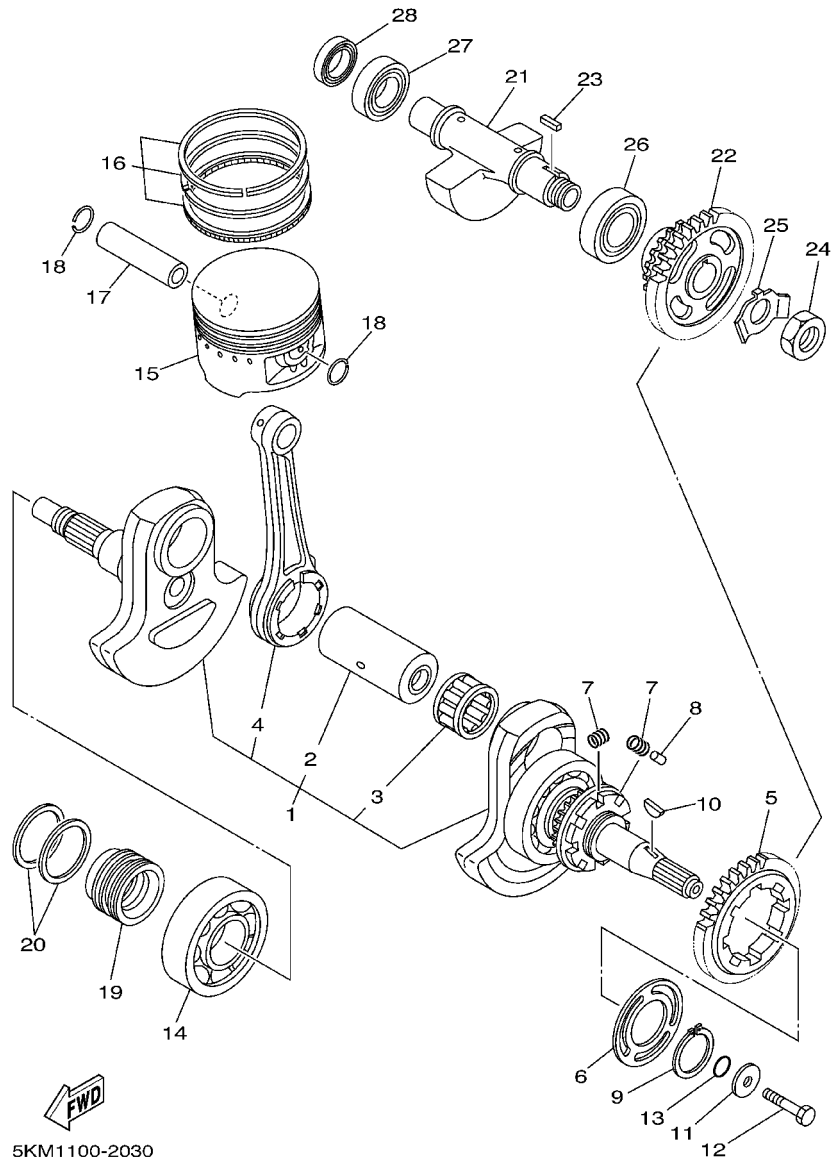
REF. NO.	PART NO.	DESCRIPTION	CHE	GBR	AUS	REMARKS
1	3YF-11181-00	GASKET, CYLINDER HEAD 1	1	1	1	
2	93612-16254	PIN, DOWEL	2	2	2	
3	90105-09647	BOLT, FLANGE	2	2	2	
4	90201-096J9	WASHER, PLATE	6	6	6	
5	5KM-11310-00	CYLINDER	1	1	1	
6	93211-01467	O-RING	1	1	1	
7	5KM-11351-00	GASKET, CYLINDER	1	1	1	
8	90105-10649	BOLT, FLANGE	2	2	2	
9	90105-10650	BOLT, FLANGE	2	2	2	
10	90201-101A4	WASHER, PLATE	4	4	4	
11	91317-06040	BOLT	2	2	2	
12	99530-14016	PIN, DOWEL	2	2	2	



5KM1100-2020



**FIG. 3 CRANKSHAFT. PISTON**

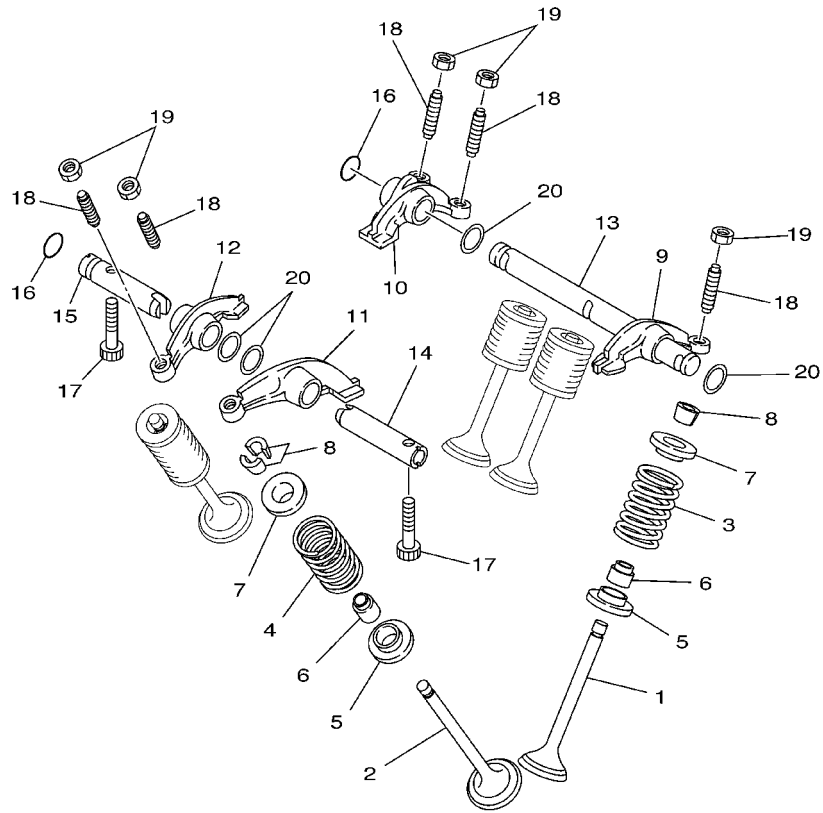


5KM1100-2030

REF. NO.	PART NO.	DESCRIPTION	CHE	GBR	AUS	REMARKS
1	5KM-11400-00	CRANKSHAFT ASSY	1	1	1	
2	5KM-11681-00	.PIN, CRANK 1	1	1	1	
3	93310-637D3	.BEARING	1	1	1	
4	5LP-11651-00	.ROD, CONNECTING	1	1	1	
5	5KM-11536-00	GEAR, DRIVE	1	1	1	
6	5KM-11565-00	WASHER, BEARING COVER	1	1	1	
7	90501-22004	SPRING, COMPRESSION	8	8	8	
8	93606-09002	PIN, DOWEL	4	4	4	
9	99009-35400	CIRCLIP	1	1	1	
10	90280-16053	KEY, WOODRUFF	1	1	1	
11	90201-10321	WASHER, PLATE	1	1	1	
12	90101-10568	BOLT	1	1	1	
13	93210-16290	O-RING	1	1	1	
14	93306-30702	BEARING (B6307)	1	1	1	
15	3YF-11631-00-X0	PISTON (STD)	1	1	1	
	3YF-11636-00	PISTON (0.50MM O/S)	1	1	1	AP
	3YF-11638-00	PISTON (1.00MM O/S)	1	1	1	AP
16	3YF-11610-00	PISTON RING SET (STD)	1	1	1	
	3YF-11610-20	PISTON RING SET (0.50MM O/S)	1	1	1	AP
	3YF-11610-40	PISTON RING SET (1.00MM O/S)	1	1	1	AP
17	3YF-11633-01	PIN, PISTON	1	1	1	
18	93450-24028	CIRCLIP	2	2	2	
19	5KM-16181-00	SPACER 1	1	1	1	
20	5KM-11447-00	SEAL, CRANK	2	2	2	
21	5KM-11454-00	WEIGHT 1	1	1	1	
22	5KM-11530-00	BALANCER WEIGHT GEAR COMP.	1	1	1	
23	90282-05005	KEY, STRAIGHT	1	1	1	



FIG. 4 VALVE

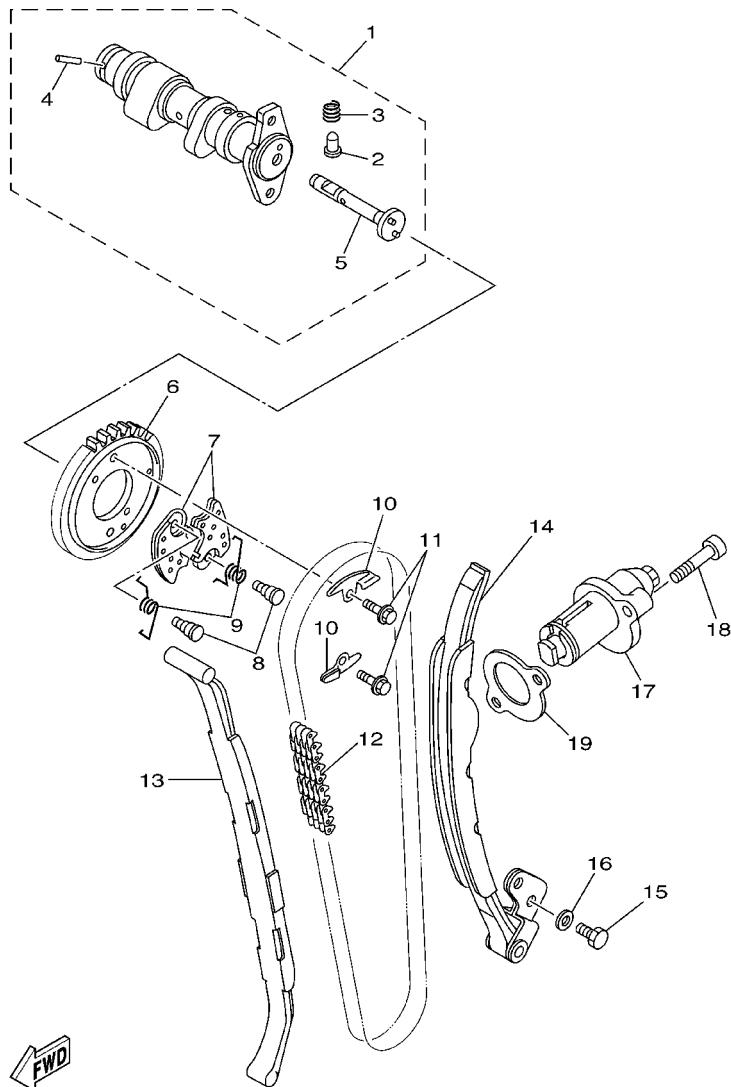


REF. NO.	PART NO.	DESCRIPTION	CHE	GBR	AUS	REMARKS
1	3YF-12111-00	VALVE, INTAKE	3	3	3	
2	3YF-12121-00	VALVE, EXHAUST	2	2	2	
3	3YF-12113-00	SPRING, VALVE INNER	3	3	3	
4	3YF-12114-00	SPRING, VALVE OUTER	2	2	2	
5	3YF-12116-00	SEAT, VALVE SPRING	5	5	5	
6	5H0-12119-00	SEAL, VALVE STEM	5	5	5	
7	3YF-12117-01	RETAINER, VALVE SPRING	5	5	5	
8	4G0-12118-00	COTTER, VALVE	10	10	10	
9	3YF-12151-00	ARM, VALVE ROCKER	1	1	1	
10	3YF-12161-00	ARM, VALVE ROCKER 2	1	1	1	
11	3YF-12162-00	ARM, VALVE ROCKER 3	1	1	1	
12	3YF-12163-00	ARM, VALVE ROCKER 4	1	1	1	
13	3YF-12146-00	SHAFT, ROCKER	1	1	1	
14	2NX-12156-00	SHAFT, ROCKER 2	1	1	1	
15	3YF-12166-00	SHAFT, ROCKER 3	1	1	1	
16	93210-08521	O-RING	2	2	2	
17	90109-063E8	BOLT	2	2	2	
18	2NX-12159-00	SCREW, VALVE ADJUSTING	5	5	5	
19	90170-06128	NUT	5	5	5	
20	90206-12075	WASHER, WAVE	4	4	4	



5LP1100-1040

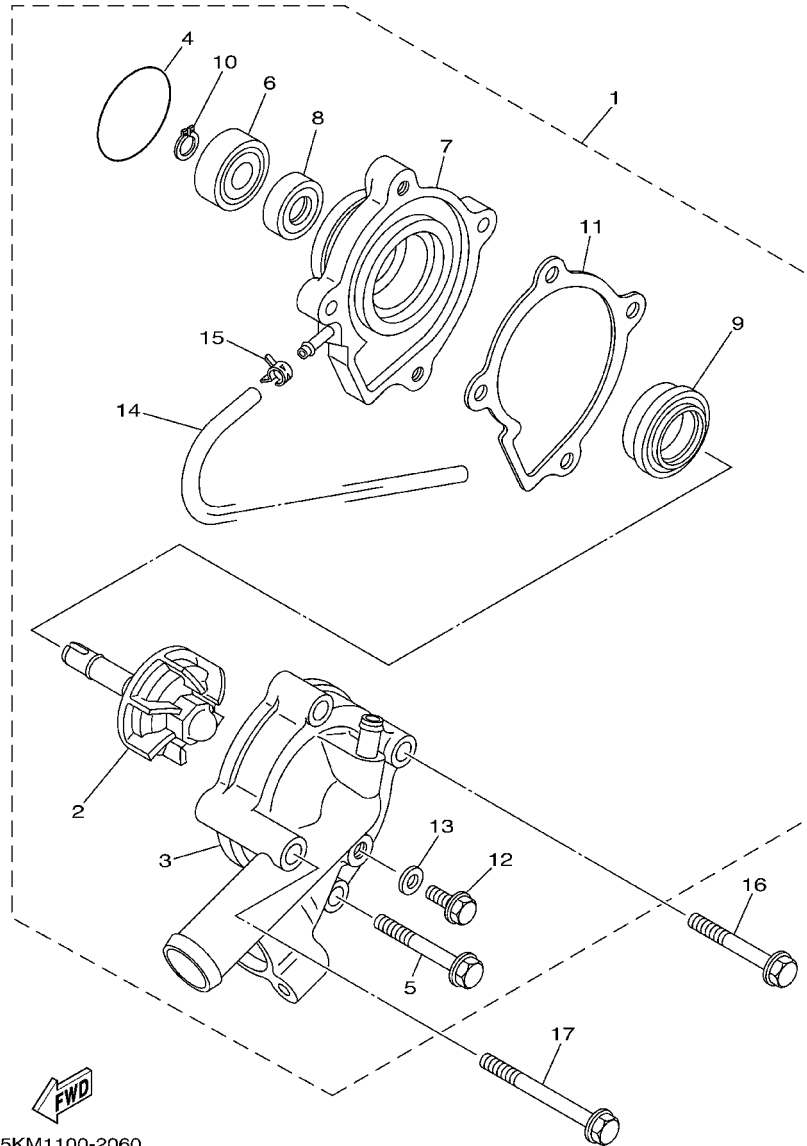
**FIG. 5 CAMSHAFT. CHAIN**



5KM1100-2050

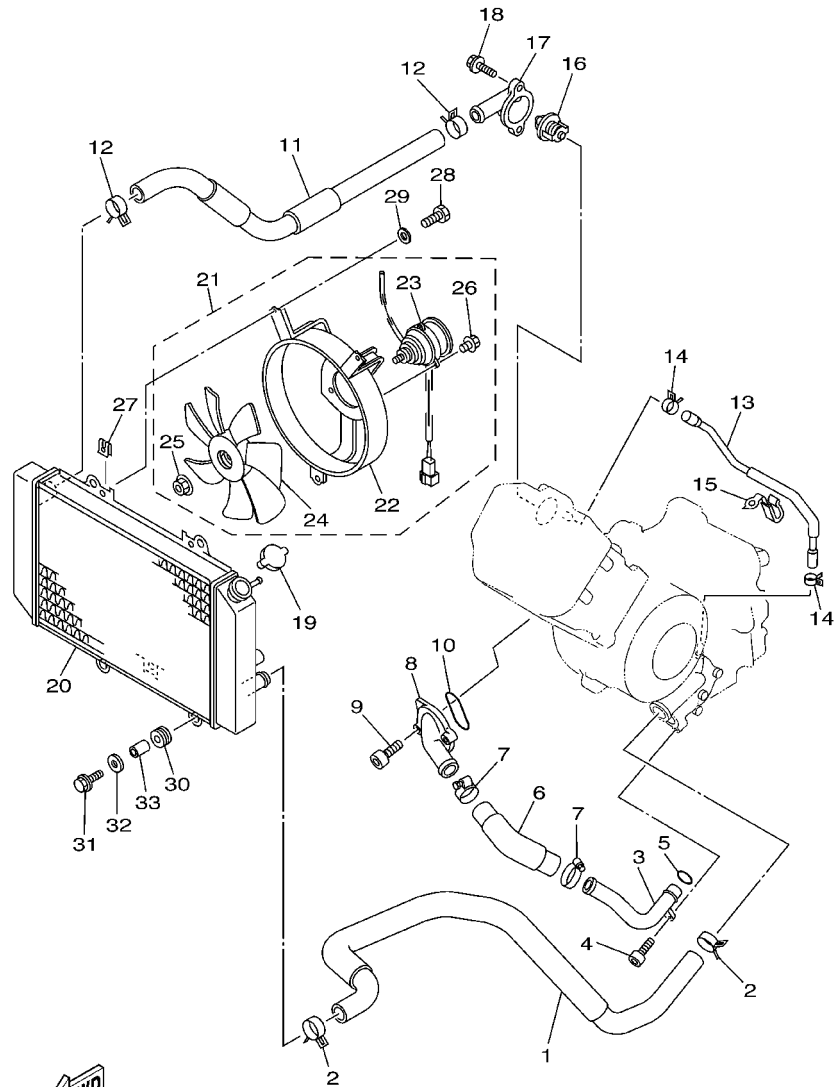
REF. NO.	PART NO.	DESCRIPTION	CHE	GBR	AUS	REMARKS
1	5KM-12170-00	CAMSHAFT ASSY 1	1	1	1	
2	3YF-12284-00	.PIN, DECOMPRESSION LEVER	1	1	1	
3	90501-05001	.SPRING, COMPRESSION	1	1	1	
4	93603-21180	.PIN, DOWEL	1	1	1	
5	3YF-12290-00	.LEVER, DECOMPRESSION SPRING	1	1	1	
6	5KM-12176-00	SPROCKET, CAM CHAIN	1	1	1	
7	3YF-12288-00	CAM, DECOMPRESSION	2	2	2	
8	3YF-12247-00	SHAFT, TENSIONER	2	2	2	
9	5KM-12216-00	SPRING	2	2	2	
10	3YF-12233-00	PLATE, GUIDE STOPPER 1	2	2	2	
11	90105-07342	BOLT, FLANGE	2	2	2	
12	94591-53126	CHAIN	1	1	1	
13	5KM-12231-00	GUIDE, STOPPER 1	1	1	1	
14	5KM-12241-00	GUIDE, STOPPER 2	1	1	1	
15	97027-06016	BOLT	2	2	2	
16	92907-06600	WASHER, PLATE	2	2	2	
17	5KM-12210-00	TENSIONER ASSY, CAM CHAIN	1	1	1	
18	90110-06039	BOLT, HEXAGON SOCKET HEAD	2	2	2	
19	4DW-12213-00	GASKET, TENSIONER CASE	1	1	1	

**FIG. 6 WATER PUMP**



REF. NO.	PART NO.	DESCRIPTION	CHE	GBR	AUS	REMARKS
1	5KM-12420-00	WATER PUMP ASSY	1	1	1	
2	5KM-12450-00	.IMPELLER SHAFT ASSY	1	1	1	
3	5KM-12422-00	.COVER, HOUSING	1	1	1	
4	93210-33133	.O-RING	1	1	1	
5	90105-06023	.BOLT, FLANGE	2	2	2	
6	93306-00006	.BEARING (B6000)	1	1	1	
7	5KM-12421-00	.HOUSING, WATER PUMP	1	1	1	
8	93101-10090	.OIL SEAL	1	1	1	
9	11H-12438-10	.SEAL, MECHANICAL	1	1	1	
10	99009-10400	.CIRCLIP	1	1	1	
11	5KM-12428-00	.GASKET, HOUSING COVER 2	1	1	1	
12	95027-06010	.BOLT, FLANGE	1	1	1	
13	90430-06014	.GASKET	1	1	1	
14	90446-06001	.HOSE	1	1	1	
15	90467-06194	.CLIP	1	1	1	
16	95027-06045	BOLT, FLANGE	1	1	1	
17	95027-06065	BOLT, FLANGE	1	1	1	

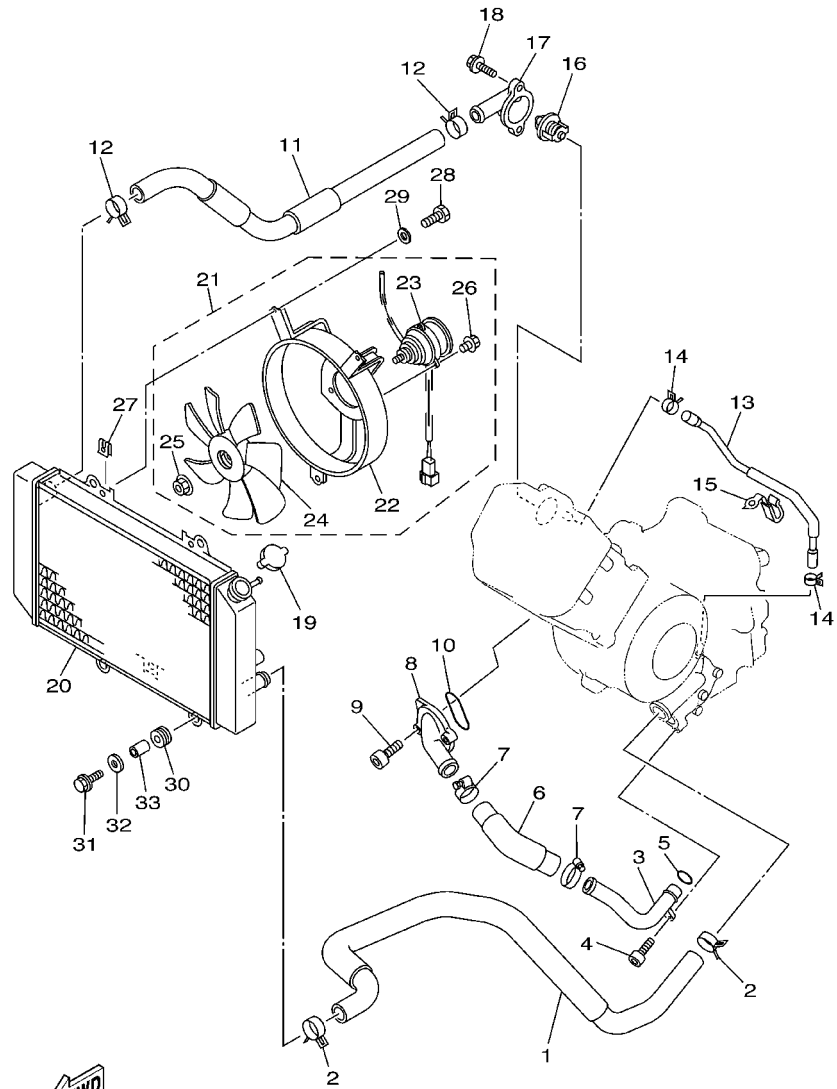
FIG. 7 RADIATOR. HOSE



5KM5110-2070

REF. NO.	PART NO.	DESCRIPTION	CHE	GBR	AUS	REMARKS
1	5KM-12576-00	HOSE 1	1	1	1	
2	90467-26189	CLIP	2	2	2	
3	5KM-12481-00	PIPE 1	1	1	1	
4	91317-06010	BOLT	1	1	1	
5	93210-21190	O-RING	1	1	1	
6	5KM-12577-00	HOSE 2	1	1	1	
7	90450-32015	HOSE CLAMP ASSY	2	2	2	
8	5KM-12469-00	JOINT 1	1	1	1	
9	91317-06020	BOLT	2	2	2	
10	93210-33786	O-RING	1	1	1	
11	5KM-12578-00	HOSE 3	1	1	1	
12	90467-26189	CLIP	2	2	2	
13	5KM-12579-00	HOSE 4	1	1	1	
14	90467-10038	CLIP	2	2	2	
15	90462-08008	CLAMP	1	1	1	
16	5KM-12411-00	THERMOSTAT	1	1	1	
17	5KM-12413-00	COVER, THERMOSTAT	1	1	1	
18	95027-06020	BOLT, FLANGE	2	2	2	
19	5HD-12462-00	CAP, RADIATOR	1	1	1	
20	5KM-12461-00	RADIATOR ASSY	1	1	1	
21	5KM-12405-00	BLOWER ASSY	1	1	1	
22	5KM-12620-00	.AIR SHROUD ASSY	1	1	1	
23	5KM-12630-00	.MOTOR ASSY	1	1	1	
24	5KM-12611-00	.FAN	1	1	1	
25	33M-12671-00	.NUT 1	1	1	1	
26	5GH-12647-00	.SCREW, MOTOR HOLDING	3	3	3	
27	1AA-12535-00	PLATE	3	3	3	

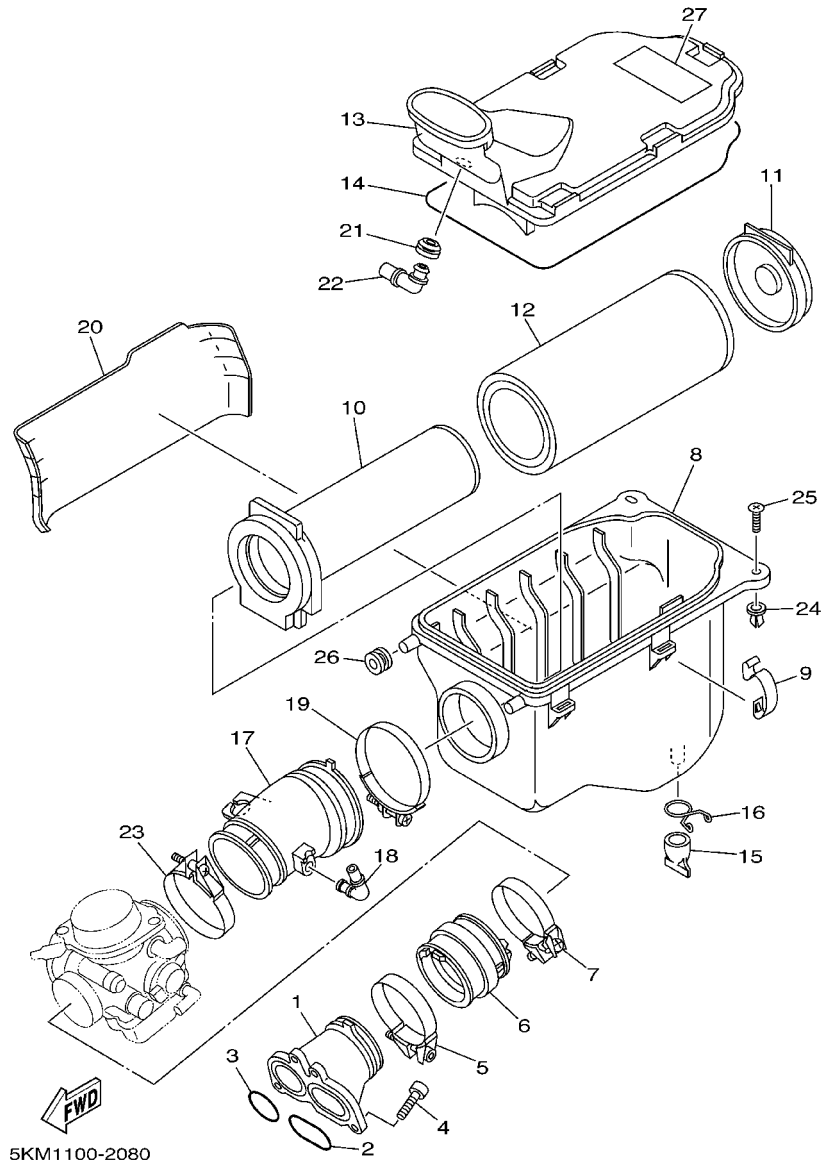
**FIG. 7 RADIATOR. HOSE**



**FWD**  
5KM5110-2070

REF. NO.	PART NO.	DESCRIPTION	CHE	GBR	AUS	REMARKS
28	97017-06010	BOLT	3	3	3	
29	92907-06600	WASHER, PLATE	3	3	3	
30	90480-15235	GROMMET	4	4	4	
31	95807-06020	BOLT, FLANGE	2	2	2	
32	90209-06174	WASHER	2	2	2	
33	90387-060A7	COLLAR	2	2	2	

**FIG. 8 INTAKE**

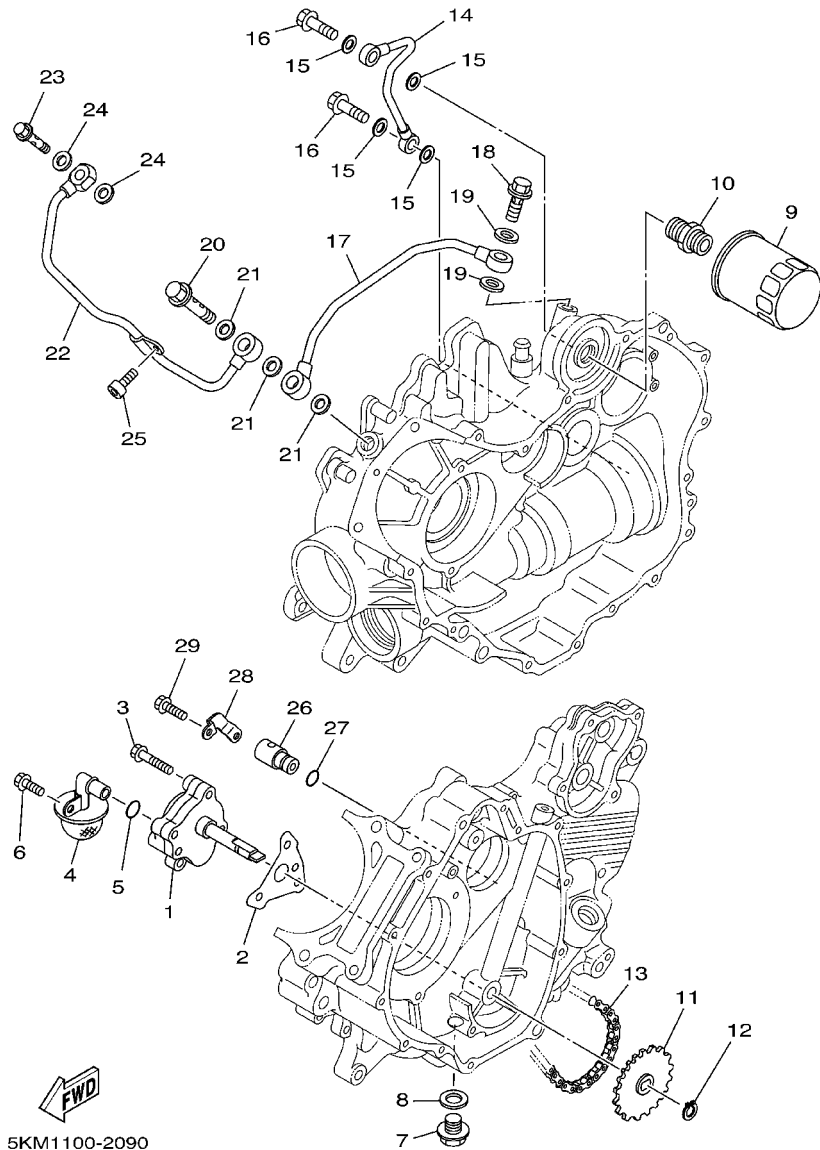


5KM1100-2080

REF. NO.	PART NO.	DESCRIPTION	CHE	GBR	AUS	REMARKS
1	5KM-13586-00	JOINT, CARBURETOR 1	1	1	1	
2	93210-44545	O-RING	1	1	1	
3	93210-321A8	O-RING	1	1	1	
4	91317-06020	BOLT	4	4	4	
5	90450-65001	HOSE CLAMP ASSY	1	1	1	
6	5KM-13596-00	JOINT, CARBURETOR 2	1	1	1	
7	90460-59211	CLAMP, HOSE	1	1	1	
8	5KM-14411-00	CASE, AIR CLEANER 1	1	1	1	
9	5GH-14436-00	HOOK	5	5	5	
10	1UY-14458-01	GUIDE	1	1	1	
11	1UY-14468-00	PLATE,ELEMENT FITTING	1	1	1	
12	1UY-14451-00	ELEMENT, AIR CLEANER	1	1	1	
13	5KM-14412-00	CAP, CLEANER CASE 1	1	1	1	
14	5KM-14452-00	SEAL	1	1	1	
15	59V-14457-00	SEAL	1	1	1	
16	90467-22080	CLIP	1	1	1	
17	5KM-14453-00	JOINT, AIR CLEANER 1	1	1	1	
18	31A-14419-00	PIPE	1	1	1	
19	90460-75020	CLAMP, HOSE	1	1	1	
20	5KM-1442F-00	PROTECTOR	1	1	1	
21	31A-14435-00	GROMMET	1	1	1	
22	5KM-14419-00	PIPE	1	1	1	
23	90450-67001	HOSE CLAMP ASSY	1	1	1	
24	90338-08226	PLUG	2	2	2	
25	97707-60025	SCREW, TAPPING	2	2	2	
26	90480-18290	GROMMET	2	2	2	



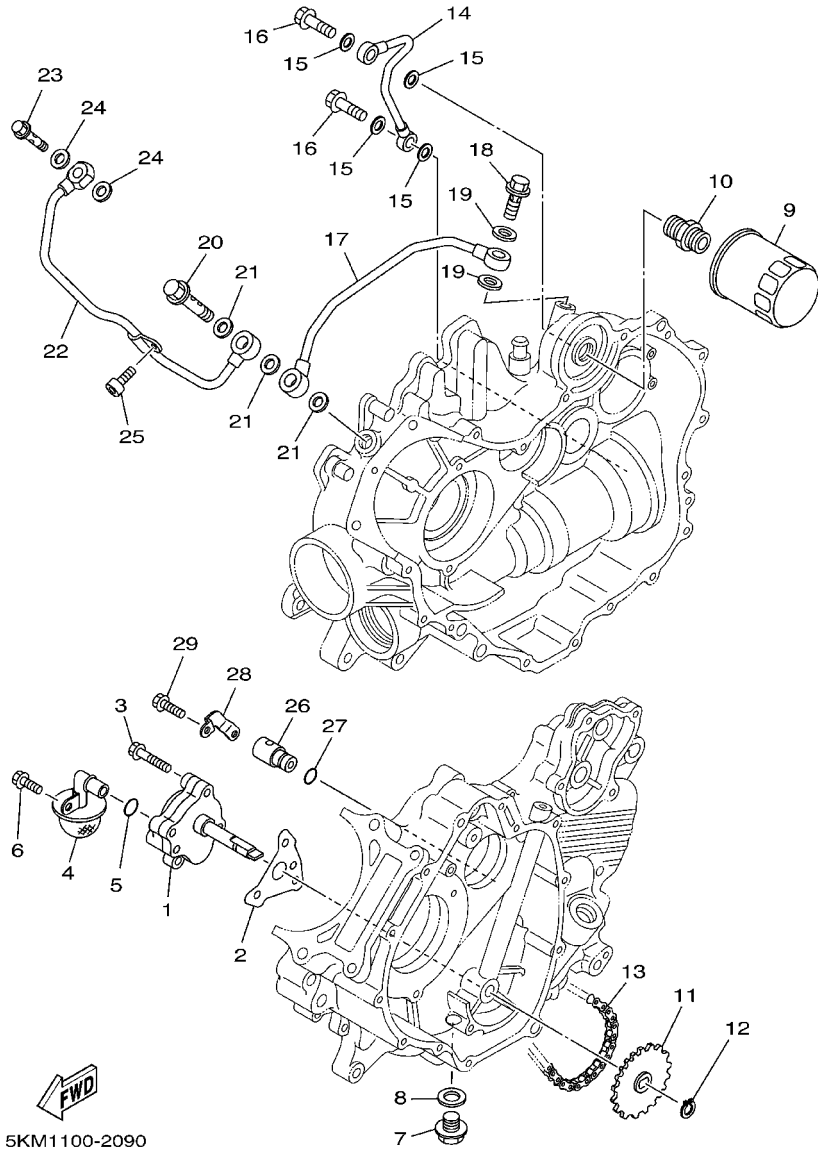
**FIG. 9 OIL PUMP**



5KM1100-2090

REF. NO.	PART NO.	DESCRIPTION	CHE	GBR	AUS	REMARKS
1	5KM-13300-00	OIL PUMP ASSY	1	1	1	
2	5KM-13329-00	GASKET, PUMP COVER	1	1	1	
3	95027-06040	BOLT, FLANGE	3	3	3	
4	5KM-13410-00	STRAINER HOUSING ASSY	1	1	1	
5	93210-14579	O-RING	1	1	1	
6	95027-06014	BOLT, FLANGE	1	1	1	
7	90340-14132	PLUG, STRAIGHT SCREW	1	1	1	
8	214-11198-01	GASKET	1	1	1	
9	5GH-13440-00	ELEMENT ASSY, OIL CLEANER	1	1	1	
10	90401-20145	BOLT, UNION	1	1	1	
11	5KM-13355-00	SPROCKET, DRIVEN	1	1	1	
12	99009-11400	CIRCLIP	1	1	1	
13	94581-94070	CHAIN	1	1	1	
14	3AJ-13161-01	PIPE, DELIVERY 1	1	1	1	
15	90430-08204	GASKET	4	4	4	
16	90401-08117	BOLT, UNION	2	2	2	
17	5KM-13171-00	PIPE, DELIVERY 2	1	1	1	
18	90401-14118	BOLT, UNION	1	1	1	
19	90430-14043	GASKET	2	2	2	
20	5KM-12858-00	BOLT, UNION	1	1	1	
21	90430-14043	GASKET	3	3	3	
22	5KM-13181-00	PIPE, DELIVERY 3	1	1	1	
23	90401-10159	BOLT, UNION	1	1	1	
24	90430-10188	GASKET	2	2	2	
25	91317-06012	BOLT	1	1	1	
26	5KM-13490-00	RELIEF VALVE ASSY	1	1	1	
27	93210-10096	O-RING	1	1	1	

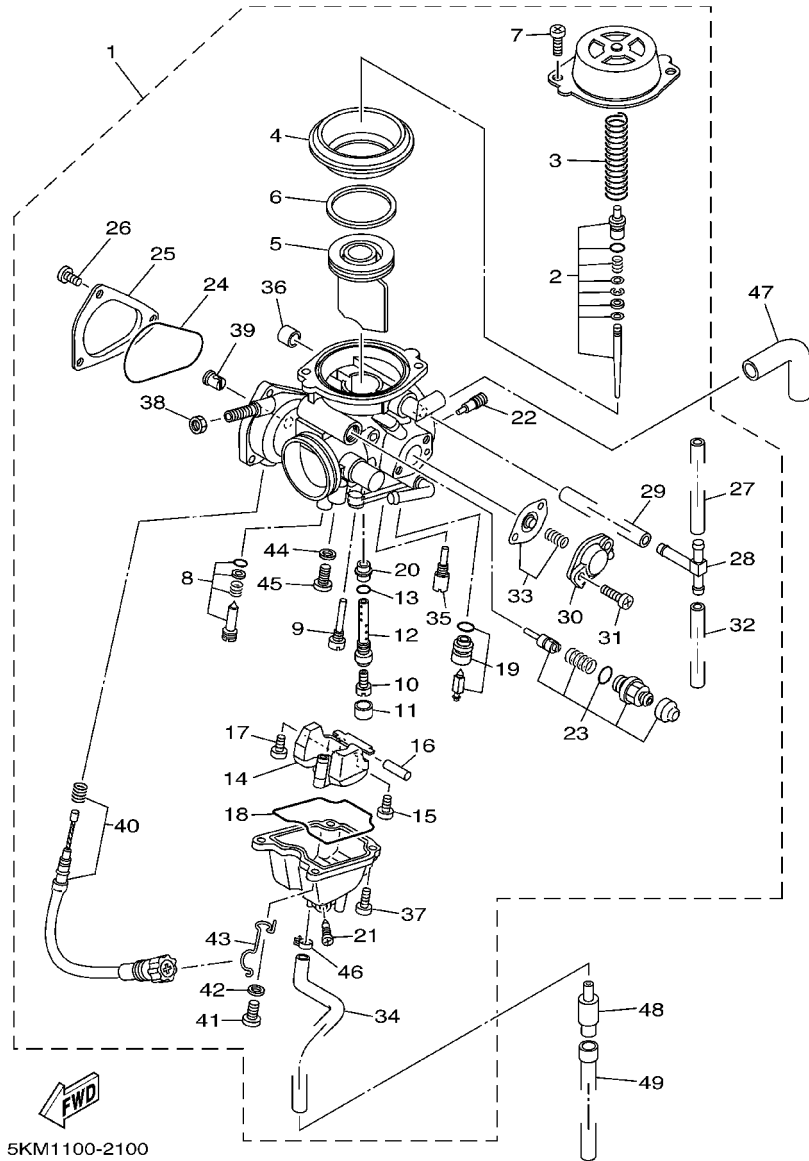
**FIG. 9 OIL PUMP**



5KM1100-2090

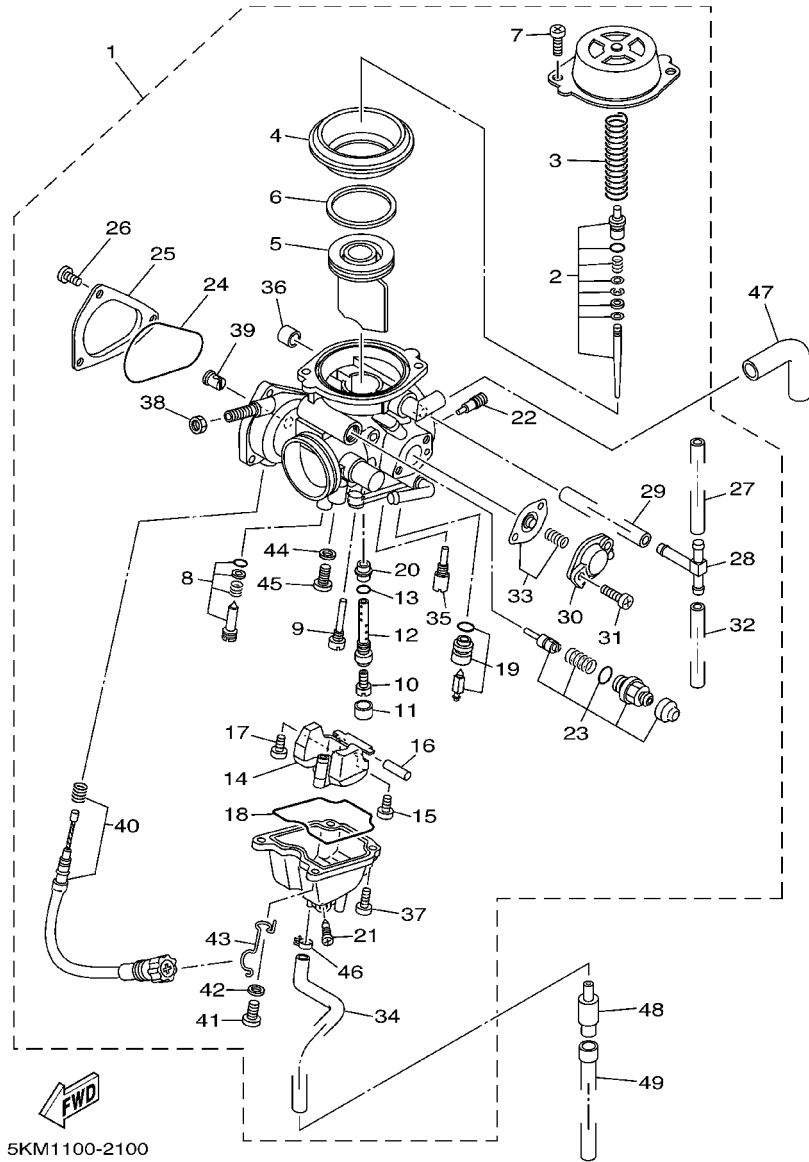
REF. NO.	PART NO.	DESCRIPTION	CHE	GBR	AUS	REMARKS
28	5KM-1319K-00	PLATE	1	1	1	
29	95027-06012	BOLT, FLANGE	2	2	2	

FIG. 10 CARBURETOR



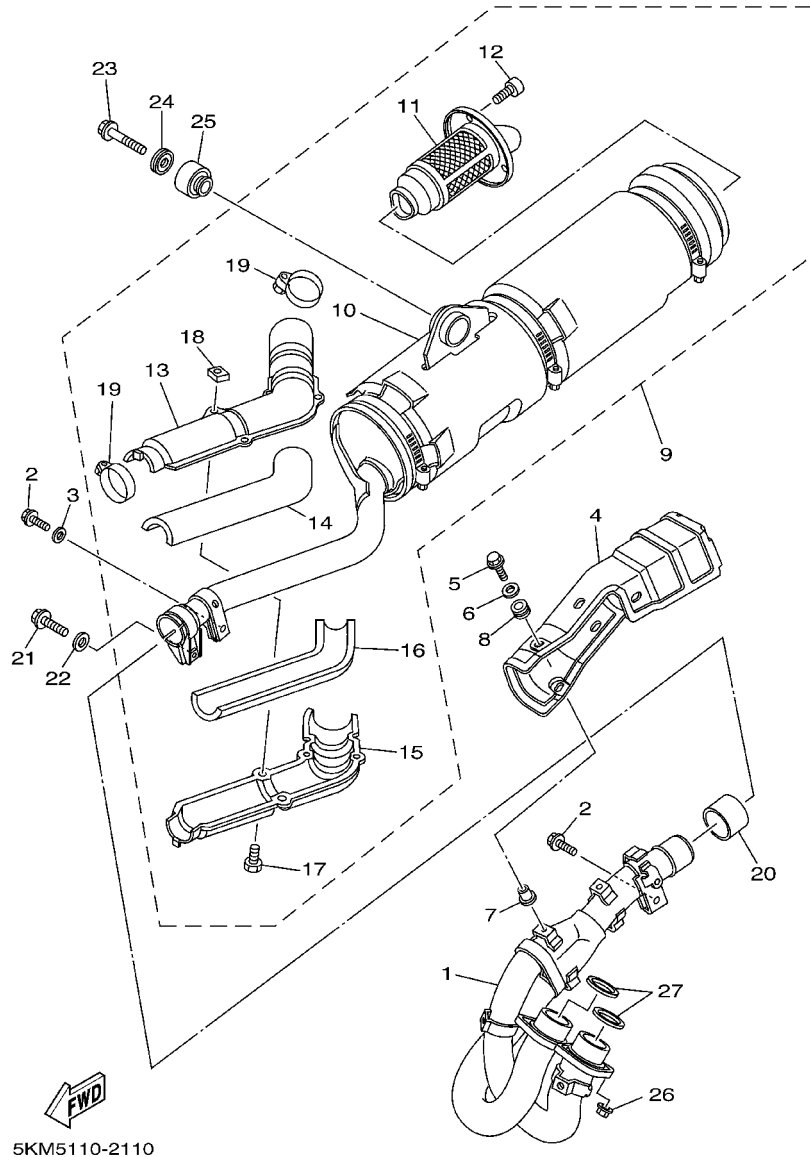
REF. NO.	PART NO.	DESCRIPTION	CHE	GBR	AUS	REMARKS
1	5KM-14901-00	CARBURETOR ASSY 1	1	1	1	
2	5KM-1490J-00	.NEEDLE SET	1	1	1	
3	4KM-14933-00	.SPRING, DIAPHRAGM	1	1	1	
4	5KM-24411-00	.DIAPHRAGM	1	1	1	
5	5KM-14912-00	.VALVE, THROTTLE	1	1	1	
6	5KM-14918-00	.RING	1	1	1	
7	98507-05008	.SCREW, PAN HEAD	2	2	2	
8	5EA-14105-00	.PILOT SCREW SET	1	1	1	
9	3G2-14231-11	.JET, POWER (# 55)	1	1	1	
10	3G2-1423E-61	.JET, MAIN (#153.8)	1	1	1	
11	5GH-14918-00	.RING	1	1	1	
12	5GH-14261-00	.HOLDER	1	1	1	
13	583-14561-00	.O-RING	1	1	1	
14	5DM-14985-00	.FLOAT	1	1	1	
15	98507-04008	.SCREW, PAN HEAD	1	1	1	
16	127-14186-00	.PIN, FLOAT	1	1	1	
17	1FN-14565-00	.SCREW	1	1	1	
18	5DM-14561-00	.O-RING	1	1	1	
19	5KM-14190-30	.NEEDLE VALVE ASSY	1	1	1	
20	5DM-14141-30	.NOZZLE, MAIN	1	1	1	
21	12R-14191-00	.PLUG, DRAIN	1	1	1	
22	1HX-14231-18	.JET, MAIN (# 90)	1	1	1	
23	5KM-1410A-00	.STARTER SET	1	1	1	
24	4WV-14147-10	.O-RING	1	1	1	
25	4WV-14293-00	.COVER 1	1	1	1	
26	98507-04008	.SCREW, PAN HEAD	3	3	3	
27	5KM-14197-20	.PIPE	1	1	1	

FIG. 10 CARBURETOR



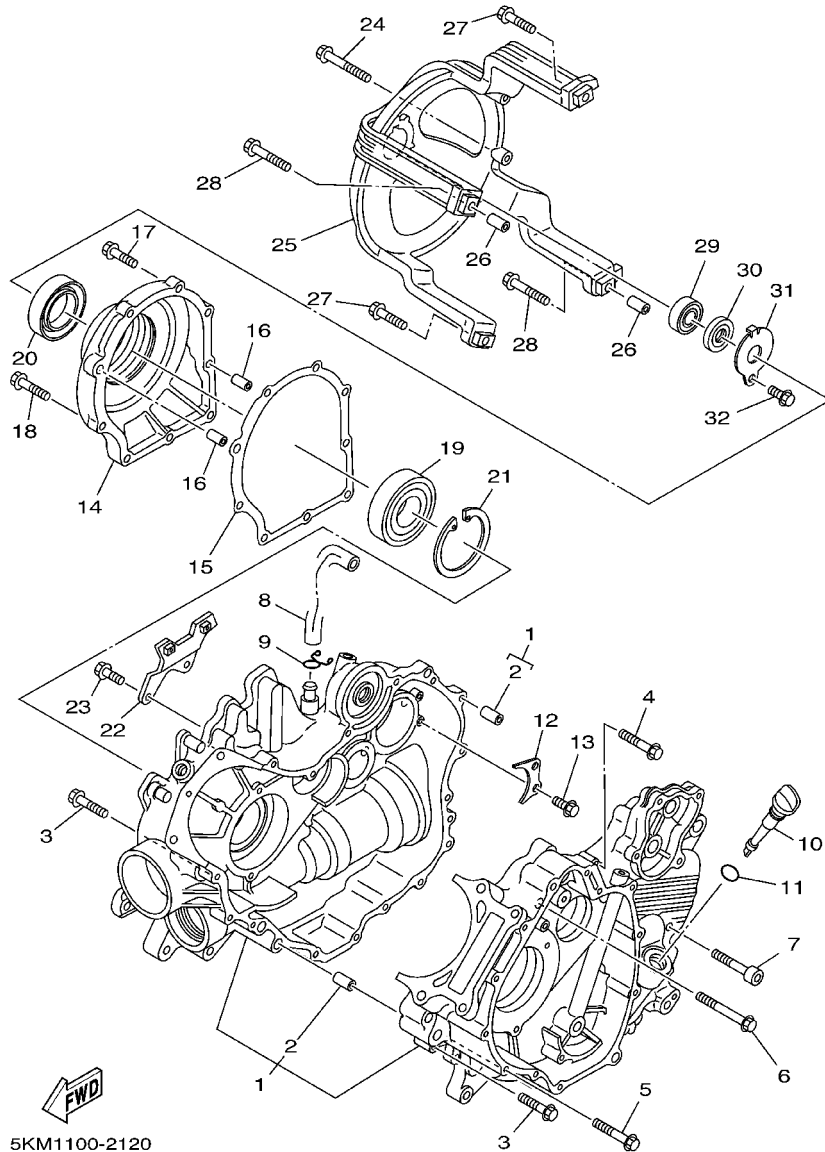
REF. NO.	PART NO.	DESCRIPTION	CHE	GBR	AUS	REMARKS
28	28V-14988-00	.PIPE, STARTER CONNECTING	1	1	1	
29	3YX-14197-00	.PIPE	1	1	1	
30	5AP-14280-00	.COVER, CARBURETOR	1	1	1	
31	97607-04114	.SCREW, PAN HEAD WITH WASHER	2	2	2	
32	5KM-14197-10	.PIPE	1	1	1	
33	5KM-1490H-00	.DIAPHRAGM SET 5	1	1	1	
34	5KM-14193-00	.PIPE	1	1	1	
35	4KM-14142-40	.JET, PILOT (# 40)	1	1	1	
36	5KM-14968-00	.CAP	1	1	1	
37	98507-04010	.SCREW, PAN HEAD	3	3	3	
38	522-14161-00	.NUT, CABLE ADJUSTING	1	1	1	
39	1UY-14155-00	.GUIDE, CABLE	1	1	1	
40	5KM-14103-00	.THROTTLE SCREW SET	1	1	1	
41	98507-04014	.SCREW, PAN HEAD	1	1	1	
42	92907-04600	.WASHER	1	1	1	
43	5KM-14937-00	.CLIP	1	1	1	
44	256-14956-01	.WASHER	2	2	2	
45	3DM-14216-00	.SCREW	2	2	2	
46	90467-06194	.CLIP	1	1	1	
47	4WV-14349-00	PIPE	1	1	1	
48	24W-14193-00	PIPE	1	1	1	
49	91A20-07010	TUBE, FLEXIBLE VINYL	1	1	1	

FIG. 11 EXHAUST



REF. NO.	PART NO.	DESCRIPTION	CHE	GBR	AUS	REMARKS
1	5KM-14611-00	PIPE, EXHAUST 1	1	1	1	
2	95817-06020	BOLT, FLANGE	2	2	2	
3	90201-06778	WASHER, PLATE	1	1	1	
4	5KM-14628-00	PROTECTOR, EXHAUST PIPE	1	1	1	
5	95827-06016	BOLT, FLANGE	6	6	6	
6	90201-06778	WASHER, PLATE	6	6	6	
7	90387-061V4	COLLAR	6	6	6	
8	90480-01009	GROMMET	6	6	6	
9	5KM-14711-00	MUFFLER ASSY 1	1	1	1	
10	5KM-14721-00	.MUFFLER 1	1	1	1	
11	5KM-14752-00	.PIPE, OUTLET	1	1	1	
12	91380-06010	.BOLT	3	3	3	
13	5KM-14718-00	.PROTECTOR, MUFFLER 1	1	1	1	
14	5KM-1477F-00	.FIBER 3	1	1	1	
15	5KM-14728-00	.PROTECTOR, MUFFLER 2	1	1	1	
16	5KM-1477G-00	.FIBER 4	1	1	1	
17	98507-06010	.SCREW, PAN HEAD	4	4	4	
18	90173-06015	.NUT, SQUARE	4	4	4	
19	90450-32008	.HOSE CLAMP ASSY	2	2	2	
20	3YF-14755-00	GASKET, SILENCER	1	1	1	
21	95817-08025	BOLT, FLANGE	1	1	1	
22	90201-086J0	WASHER, PLATE	1	1	1	
23	95807-08040	BOLT, FLANGE	1	1	1	
24	90209-08249	WASHER	1	1	1	
25	5KM-27414-00	DAMPER, FOOTREST	1	1	1	
26	90179-08410	NUT	4	4	4	
27	3YF-14613-01	GASKET, EXHAUST PIPE	2	2	2	

FIG. 12 CRANKCASE

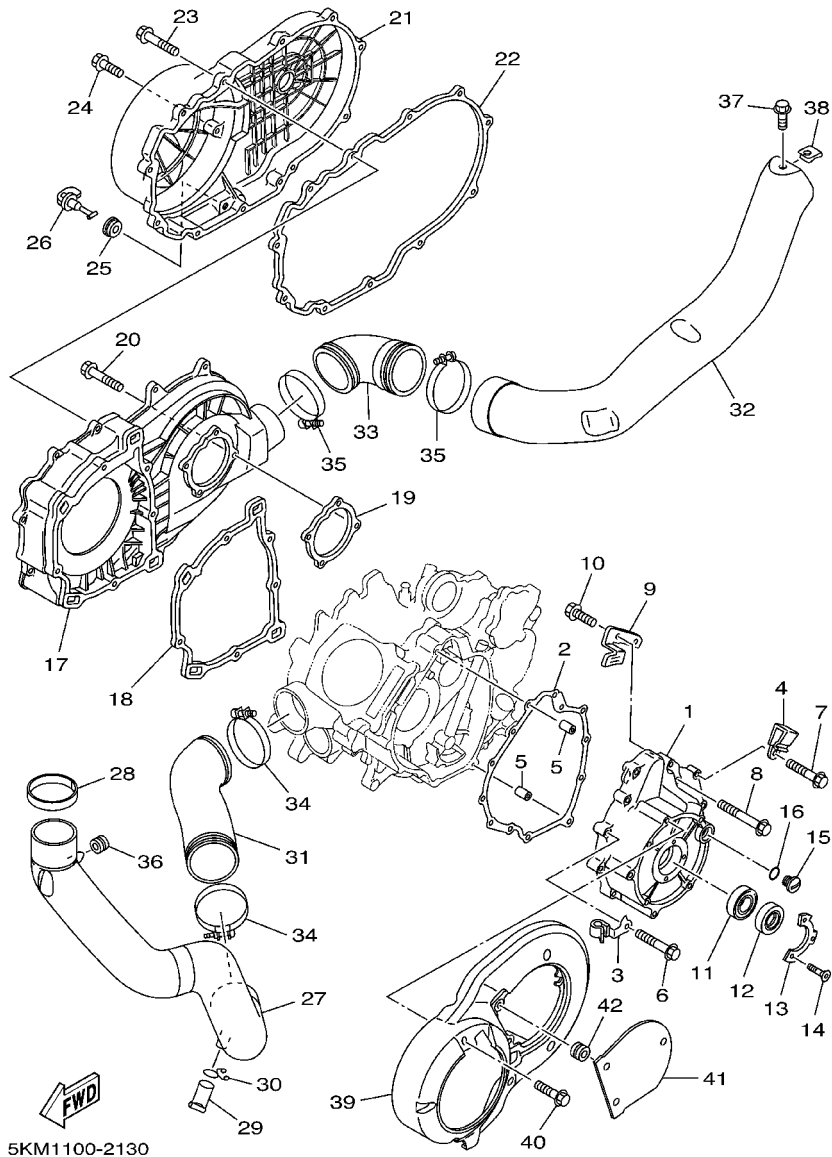


5KM1100-2120

REF. NO.	PART NO.	DESCRIPTION	CHE	GBR	AUS	REMARKS
1	5KM-15100-00	CRANKCASE ASSY	1	1	1	
2	99530-10116	.PIN, DOWEL	2	2	2	
3	95027-06030	BOLT, FLANGE	8	8	8	
4	90105-06031	BOLT, FLANGE	1	1	1	
5	95027-06040	BOLT, FLANGE	2	2	2	
6	95027-06055	BOLT, FLANGE	1	1	1	
7	91317-08040	BOLT	3	3	3	
8	5KM-11166-00	PIPE, BREATHER 1	1	1	1	
9	90467-14015	CLIP	1	1	1	
10	5KM-15362-00	PLUG, OIL LEVEL	1	1	1	
11	93210-19522	O-RING	1	1	1	
12	4WV-15388-00	PLATE, BEARING COVER	1	1	1	
13	95027-06016	BOLT, FLANGE	2	2	2	
14	5KM-15163-00	HOUSING, BEARING 1	1	1	1	
15	5KM-15463-00	GASKET, CARBURETOR COVER 2	1	1	1	
16	99530-10116	PIN, DOWEL	2	2	2	
17	95027-06030	BOLT, FLANGE	7	7	7	
18	95027-06040	BOLT, FLANGE	2	2	2	
19	93316-01003	BEARING	1	1	1	
20	93102-35004	OIL SEAL	1	1	1	
21	99009-80500	CIRCLIP	1	1	1	
22	5KM-15199-00	BRACKET	1	1	1	
23	95817-06016	BOLT, FLANGE	2	2	2	
24	95827-06050	BOLT, FLANGE	2	2	2	
25	5KM-15442-00	HOUSING, BEARING	1	1	1	
26	99530-10116	PIN, DOWEL	2	2	2	
27	95827-06030	BOLT, FLANGE	2	2	2	



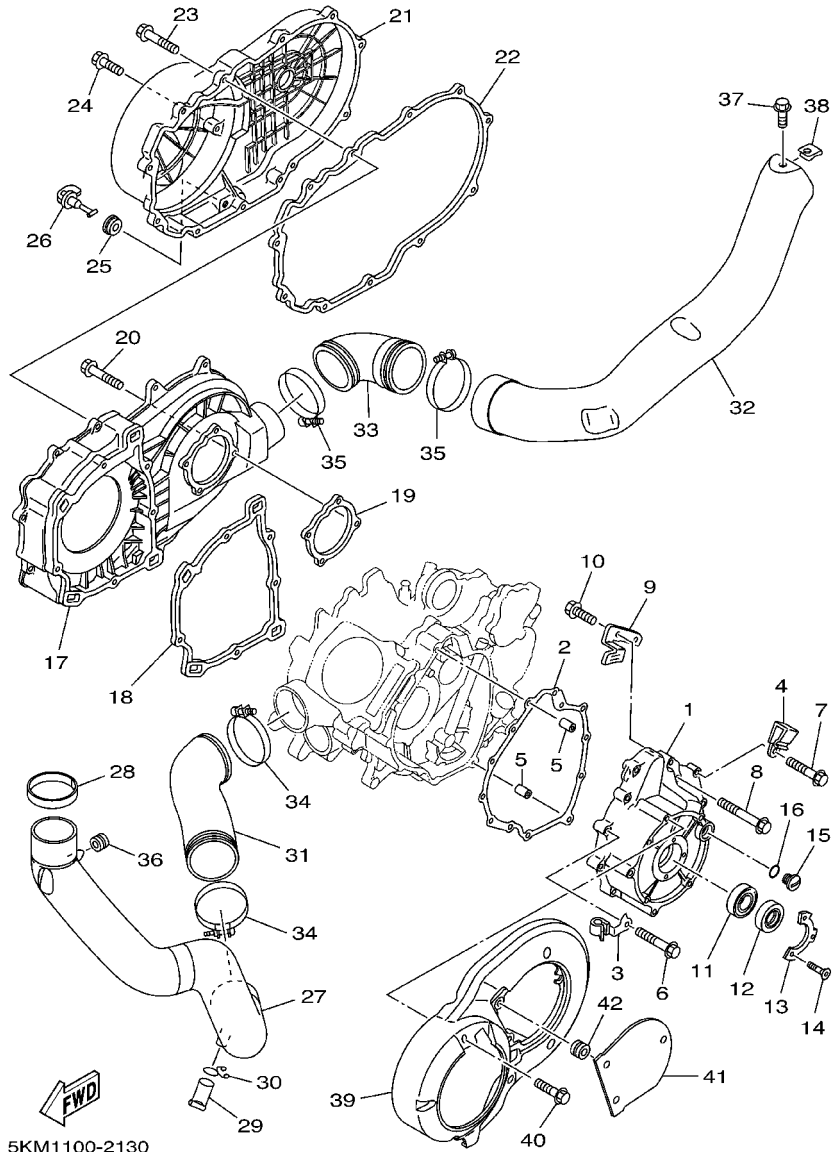
FIG. 13 CRANKCASE COVER 1



REF. NO.	PART NO.	DESCRIPTION	CHE	GBR	AUS	REMARKS
1	5KM-15411-00	COVER, CRANKCASE 1	1	1	1	
2	5KM-15451-00	GASKET, CRANKCASE COVER 1	1	1	1	
3	90465-08361	CLAMP	1	1	1	
4	90465-05M87	CLAMP	1	1	1	
5	99530-10116	PIN, DOWEL	2	2	2	
6	95027-06030	BOLT, FLANGE	8	8	8	
7	90105-06031	BOLT, FLANGE	1	1	1	
8	95027-06040	BOLT, FLANGE	4	4	4	
9	5KM-15113-00	PLATE	1	1	1	
10	95027-06014	BOLT, FLANGE	2	2	2	
11	93306-07801	BEARING	1	1	1	
12	93102-28476	OIL SEAL	1	1	1	
13	1UY-15719-00	WASHER, THRUST	1	1	1	
14	90151-05023	SCREW, COUNTERSUNK	3	3	3	
15	90340-14117	PLUG, STRAIGHT SCREW	1	1	1	
16	93210-14369	O-RING	1	1	1	
17	5KM-15421-00	COVER, CRANKCASE 2	1	1	1	
18	5KM-15453-00	GASKET	1	1	1	
19	5KM-15315-00	SEAL, CRANKCASE	1	1	1	
20	95827-06030	BOLT, FLANGE	7	7	7	
21	5KM-15431-00	COVER, CRANKCASE 3	1	1	1	
22	5KM-15379-00	SEAL, CRANKCASE	1	1	1	
23	95827-06025	BOLT, FLANGE	12	12	12	
24	95827-06016	BOLT, FLANGE	2	2	2	
25	90480-13018	GROMMET	1	1	1	
26	5KM-15351-00	PLUG, DRAIN	1	1	1	
27	5KM-15471-00	DUCT, AIR	1	1	1	

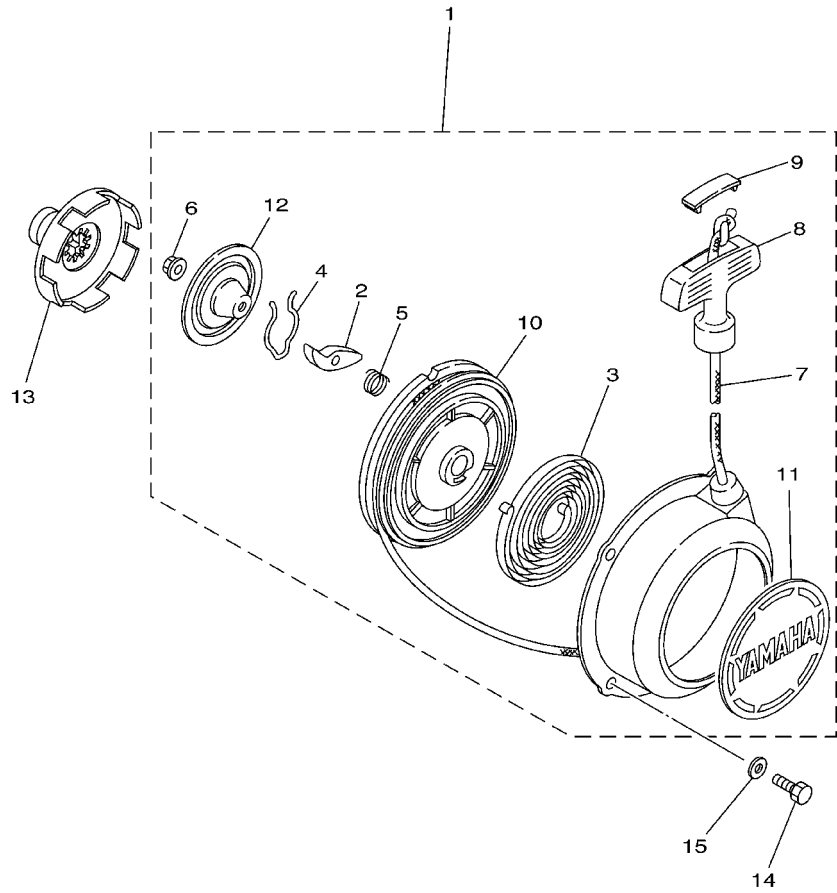


FIG. 13 CRANKCASE COVER 1



REF. NO.	PART NO.	DESCRIPTION	CHE	GBR	AUS	REMARKS
28	5KM-15494-00	SEAL, PROTECTOR	1	1	1	
29	5BF-1443E-00	PIPE, DRAIN	1	1	1	
30	90467-16195	CLIP	1	1	1	
31	5KM-15472-00	SEAL, AIR DUCT	1	1	1	
32	5KM-15473-00	DUCT, AIR	1	1	1	
33	5KM-15474-00	SEAL, AIR DUCT	1	1	1	
34	90460-81224	CLAMP, HOSE	2	2	2	
35	90460-85135	CLAMP, HOSE	2	2	2	
36	90480-13398	GROMMET	1	1	1	
37	90119-06056	BOLT, WITH WASHER	1	1	1	
38	90183-06053	NUT, SPRING	1	1	1	
39	5KM-15423-00	COVER 2	1	1	1	
40	95827-06020	BOLT, FLANGE	6	6	6	
41	5GH-15413-00	COVER	1	1	1	
42	90480-13398	GROMMET	3	3	3	

FIG. 14 STARTER

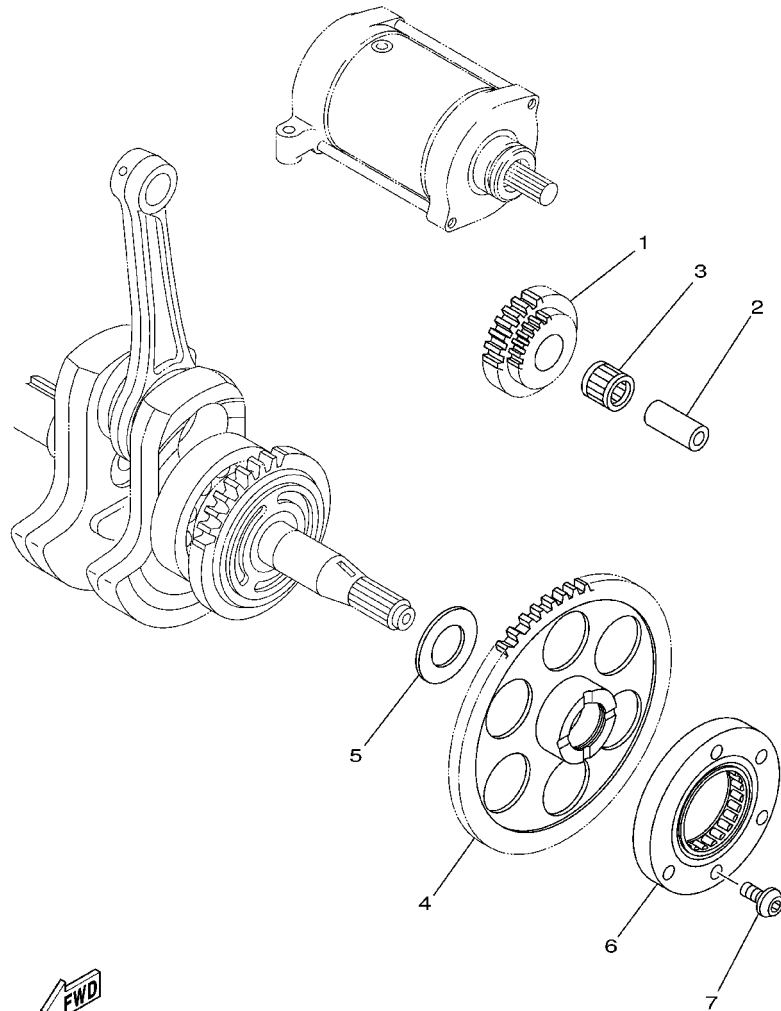


REF. NO.	PART NO.	DESCRIPTION	CHE	GBR	AUS	REMARKS
1	5GH-15710-21	STARTER ASSY	1	1	1	
2	21V-15741-00	.PAWL, DRIVE	1	1	1	
3	21V-15713-00	.SPRING, STARTER	1	1	1	
4	21V-15715-01	.SPRING, FRICTION	1	1	1	
5	21V-15767-00	.SPRING	1	1	1	
6	95702-06500	.NUT, FLANGE	1	1	1	
7	21V-15751-00	.WIRE, STARTER	1	1	1	
8	3X3-15755-00	.HANDLE, STARTER	1	1	1	
9	21V-15779-00	.COVER	1	1	1	
10	24W-15714-00	.DRUM, SHEAVE	1	1	1	
11	5GH-15443-01	.EMBLEM	1	1	1	
12	21V-15716-01	.PLATE, DRIVE	1	1	1	
13	5KM-15723-00	PULLEY, STARTER	1	1	1	
14	97017-06014	BOLT	4	4	4	
15	92907-06600	WASHER, PLATE	4	4	4	



5KM1100-2140

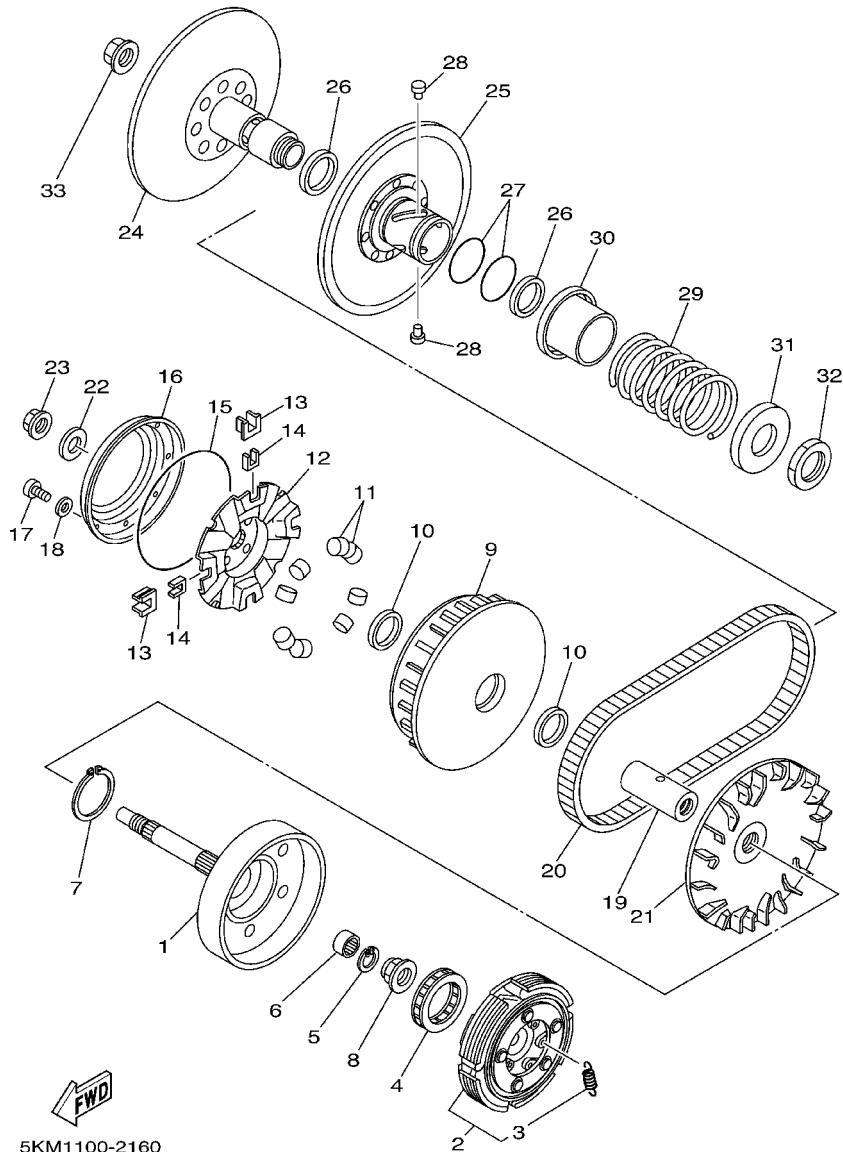
**FIG. 15 STARTER CLUTCH**



5KM1100-2150

REF. NO.	PART NO.	DESCRIPTION	CHE	GBR	AUS	REMARKS
1	5GH-15512-00	GEAR, IDLER 1	1	1	1	
2	5KM-15522-00	SHAFT 2	1	1	1	
3	93310-212R6	BEARING	1	1	1	
4	5KM-15517-00	GEAR, IDLER 2	1	1	1	
5	90201-25291	WASHER, PLATE	1	1	1	
6	4KB-15590-00	STARTER ONE-WAY ASSY	1	1	1	
7	91317-08018	BOLT	3	3	3	

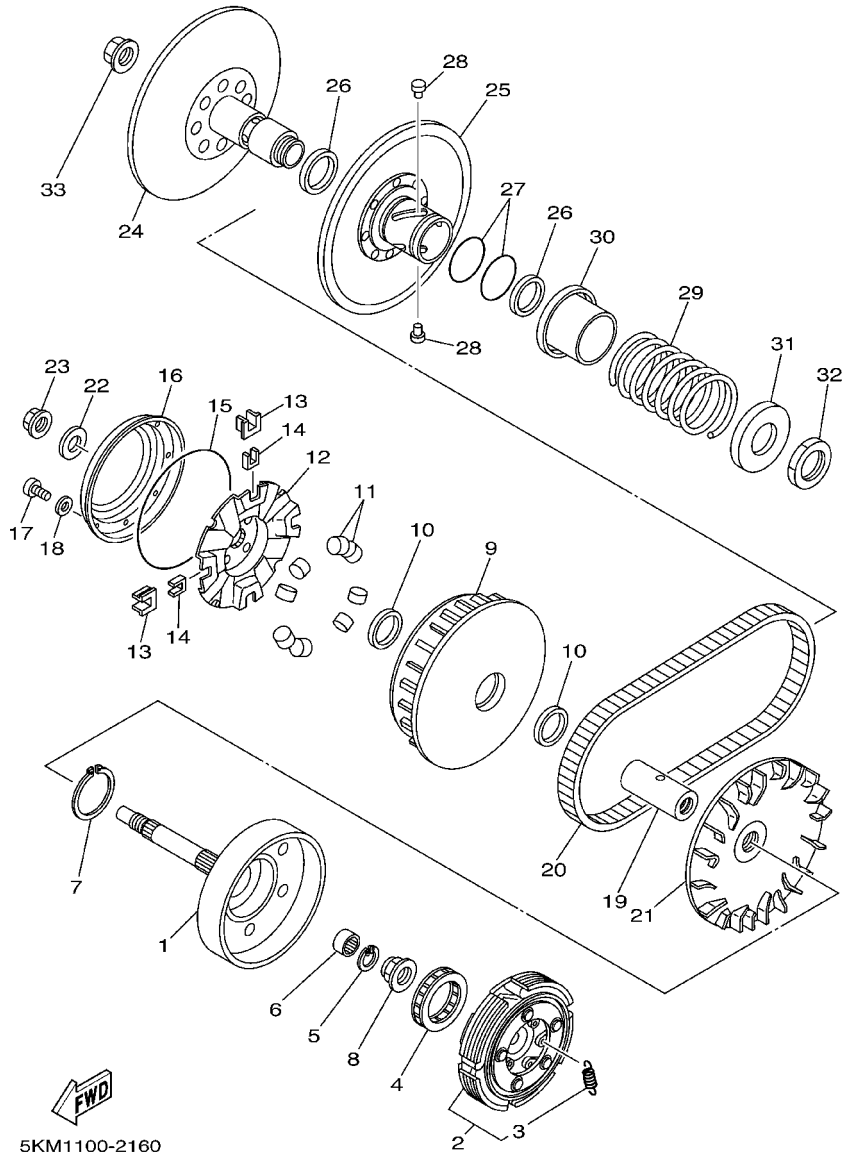
FIG. 16 CLUTCH



5KM1100-2160

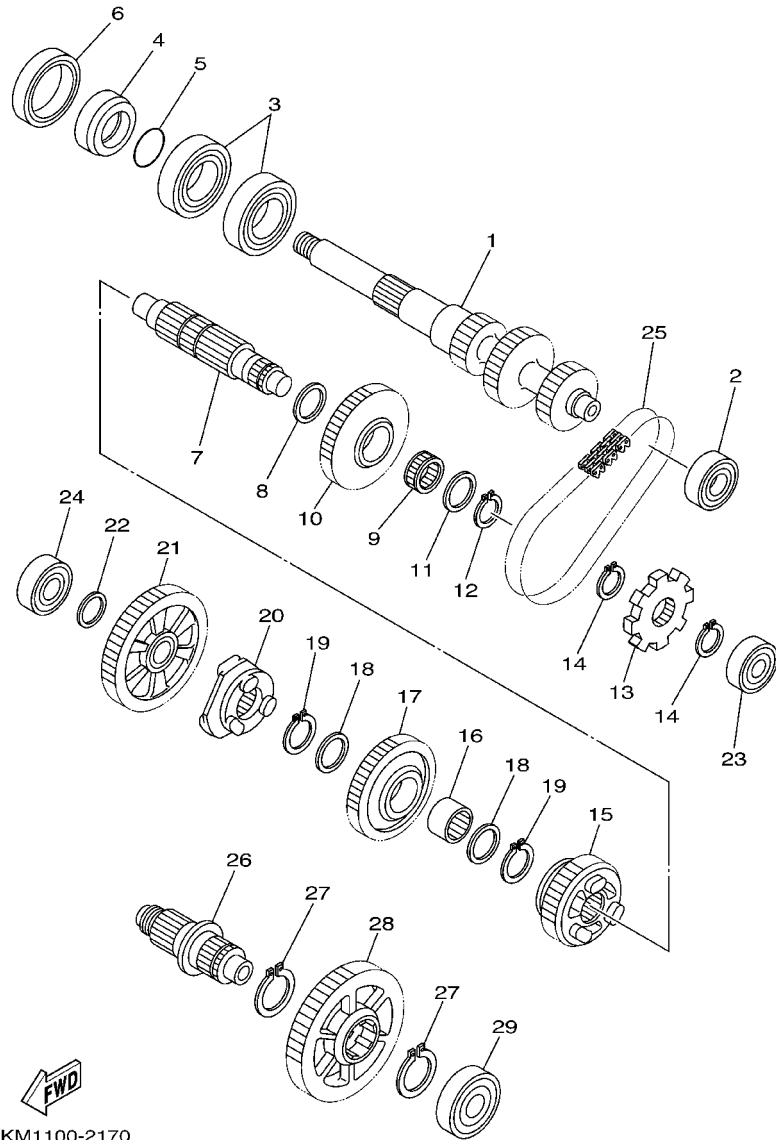
REF. NO.	PART NO.	DESCRIPTION	CHE	GBR	AUS	REMARKS
1	5KM-16611-00	CLUTCH HOUSING COMP.	1	1	1	
2	5KM-16620-00	CLUTCH CARRIER ASSY	1	1	1	
3	5KM-16626-00	.SPRING, CLUTCH WEIGHT 1	5	5	5	
4	4SH-16664-00	BEARING, ONE WAY	1	1	1	
5	93410-46079	CIRCLIP	1	1	1	
6	93315-21813	BEARING	1	1	1	
7	93450-24062	CIRCLIP	1	1	1	
8	90179-22640	NUT	1	1	1	
9	5KM-17620-00	PRIMARY SLIDING SHEAVE COMP.	1	1	1	
10	93101-35001	OIL SEAL	2	2	2	
11	5KM-17632-00	WEIGHT	8	8	8	
12	5KM-17623-00	CAM	1	1	1	
13	4WV-17653-00	SLIDER	4	4	4	
14	4WV-17654-01	SPACER 1	4	4	4	
15	93211-594A4	O-RING	1	1	1	
16	4WV-17639-10	STOPPER	1	1	1	
17	90157-04088	SCREW, PAN HEAD	8	8	8	
18	90201-047R9	WASHER, PLATE	8	8	8	
19	5KM-17645-00	COLLAR	1	1	1	
20	5KM-17641-00	V-BELT	1	1	1	
21	5KM-17611-00	SHEAVE, PRIMARY FIXED	1	1	1	
22	90201-190T7	WASHER, PLATE	1	1	1	
23	90179-16690	NUT	1	1	1	
24	4WV-17660-10	SECONDARY FIXED SHEAVE COMP.	1	1	1	
25	4WV-17670-00	SECONDARY SLIDING SHEAVE	1	1	1	
26	93104-41119	OIL SEAL	2	2	2	
27	93210-44545	O-RING	2	2	2	

FIG. 16 CLUTCH



REF. NO.	PART NO.	DESCRIPTION	CHE	GBR	AUS	REMARKS
28	4CW-17664-00	PIN, GUIDE	4	4	4	
29	90501-65001	SPRING, COMPRESSION	1	1	1	
30	4WV-17684-00	SEAT, SECONDARY SPRING	1	1	1	
31	4WV-17644-00	SEAT,SPRING	1	1	1	
32	90170-36279	NUT	1	1	1	
33	90179-16690	NUT	1	1	1	

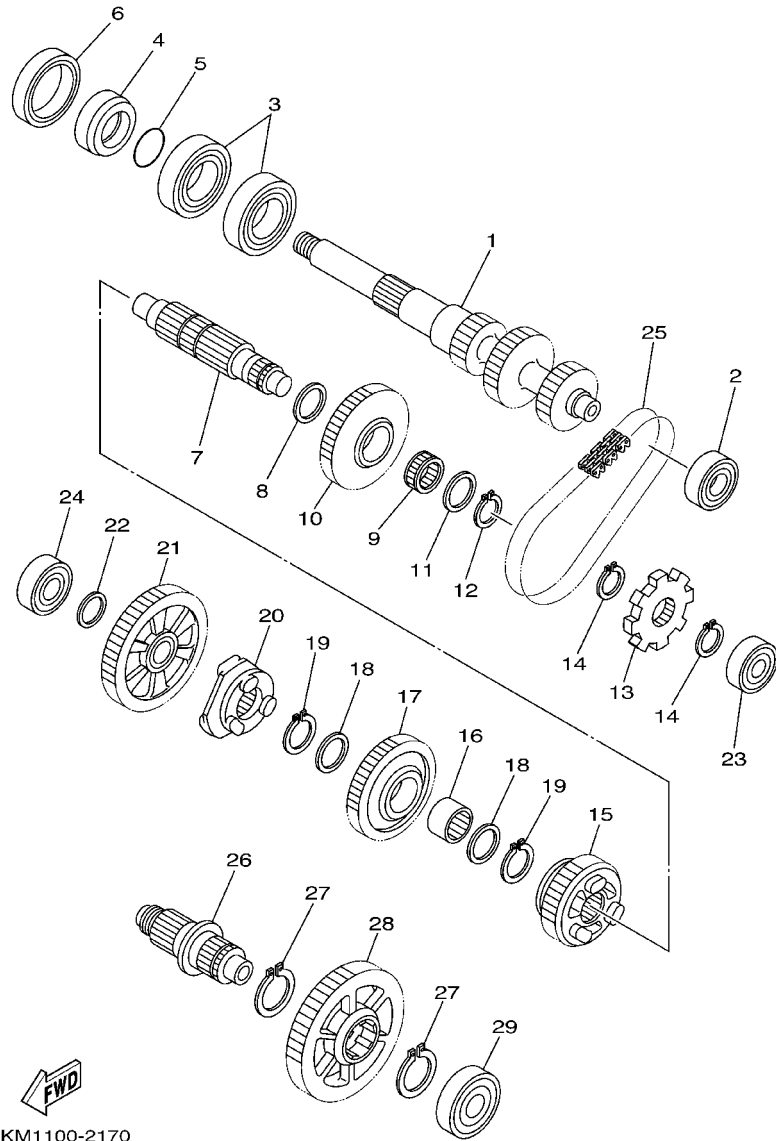
FIG. 17 TRANSMISSION



5KM1100-2170

REF. NO.	PART NO.	DESCRIPTION	CHE	GBR	AUS	REMARKS
1	5KM-17681-00	SHAFT, SECONDARY	1	1	1	
2	93306-20321	BEARING	1	1	1	
3	93306-00612	BEARING	2	2	2	
4	90387-26001	COLLAR	1	1	1	
5	93210-26001	O-RING	1	1	1	
6	93102-42004	OIL SEAL	1	1	1	
7	5KM-17402-00	DRIVE AXLE ASSY	1	1	1	
8	90201-21008	WASHER, PLATE	1	1	1	
9	93310-420F2	BEARING	1	1	1	
10	5KM-17453-00	SPROCKET, DRIVEN (25T)	1	1	1	
11	90201-20276	WASHER, PLATE (T=1.0)	1	1	1	
12	93410-20038	CIRCLIP	1	1	1	
13	5KM-17473-00	STOPPER	1	1	1	
14	93410-20038	CIRCLIP	2	2	2	
15	5KM-17582-00	GEAR, MIDDLE DIRVE (24T)	1	1	1	
16	90387-250R3	COLLAR	1	1	1	
17	5KM-17223-00	GEAR, HIGH WHEEL (28T)	1	1	1	
18	90209-22082	WASHER (T=0.5)	2	2	2	
19	93440-25084	CIRCLIP	2	2	2	
20	5KM-17285-00	CLUTCH, DOG	1	1	1	
21	5KM-17233-00	GEAR, LOW WHEEL	1	1	1	
22	90201-17255	WASHER, PLATE	1	1	1	
23	93306-20221	BEARING	1	1	1	
24	93306-20332	BEARING	1	1	1	
25	94591-54034	CHAIN	1	1	1	
26	5KM-17523-00	SHAFT	1	1	1	
27	93440-25084	CIRCLIP	2	2	2	

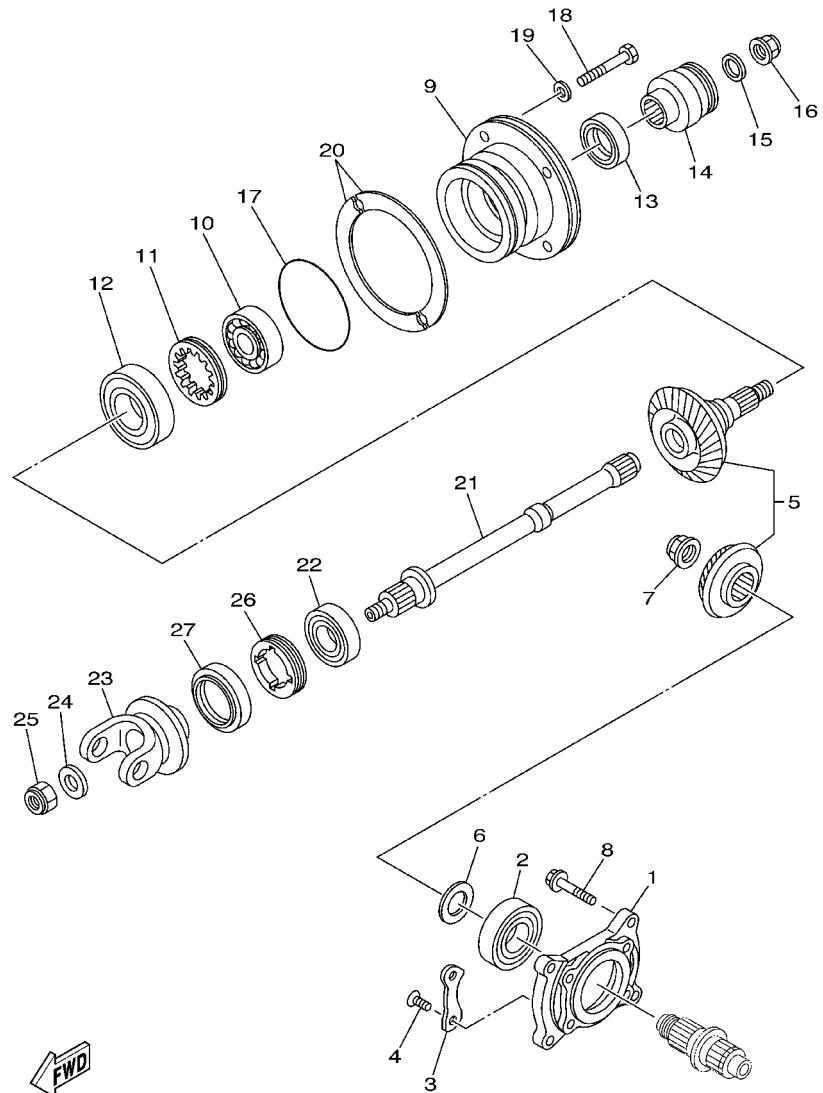
FIG. 17 TRANSMISSION



5KM1100-2170

REF. NO.	PART NO.	DESCRIPTION	CHE	GBR	AUS	REMARKS
28	5KM-17583-00	GEAR, MIDDLE DRIVEN (39T)	1	1	1	
29	93306-30318	BEARING	1	1	1	

FIG. 18 MIDDLE DRIVE GEAR

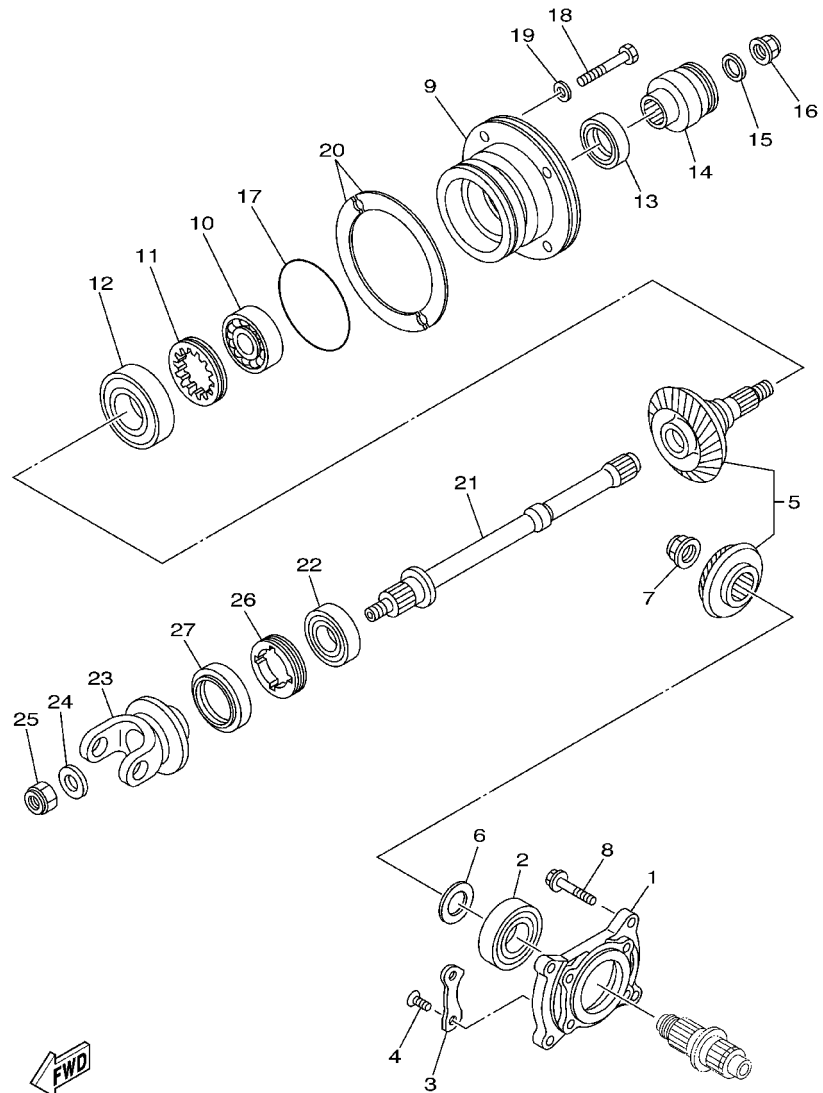


REF. NO.	PART NO.	DESCRIPTION	CHE	GBR	AUS	REMARKS
1	5KM-17521-00	HOUSING, BEARING	1	1	1	
2	93306-30537	BEARING	1	1	1	
3	11H-15383-02	PLATE, BEARING COVER	2	2	2	
4	90149-08152	SCREW	4	4	4	
5	5KM-Y1754-00	MIDDLE GEAR COMP.	1	1	1	
6	5KM-17531-00	SHIM, PINION (0.1T)	1	1	1	UR
	5KM-17531-10	SHIM, PINION (0.15T)	1	1	1	UR
	5KM-17531-20	SHIM, PINION (0.2T)	1	1	1	UR
	5KM-17531-30	SHIM, PINION (0.3T)	1	1	1	UR
	5KM-17531-40	SHIM, PINION (0.4T)	1	1	1	UR
	5KM-17531-50	SHIM, PINION (0.5T)	1	1	1	UR
7	90179-22526	NUT	1	1	1	
8	95817-08030	BOLT, FLANGE	4	4	4	
9	5KM-17551-00	HOUSING, BEARING	1	1	1	
10	93306-37206	BEARING	1	1	1	
11	90179-60699	NUT	1	1	1	
12	93306-20715	BEARING	1	1	1	
13	93102-30170	OIL SEAL	1	1	1	
14	5KM-17832-00	COUPLING	1	1	1	
15	90201-170M2	WASHER, PLATE	1	1	1	
16	90179-16661	NUT	1	1	1	
17	93210-78544	O-RING	1	1	1	
18	97027-08030	BOLT	4	4	4	
19	92907-08600	WASHER, PLATE	4	4	4	
20	4KB-17531-00	SHIM, PINION (0.10T)	2	2	2	UR
	4KB-17531-10	SHIM, PINION (0.15T)	2	2	2	UR
	4KB-17531-20	SHIM, PINION (0.20T)	2	2	2	UR

FWD  
5KM1100-2181



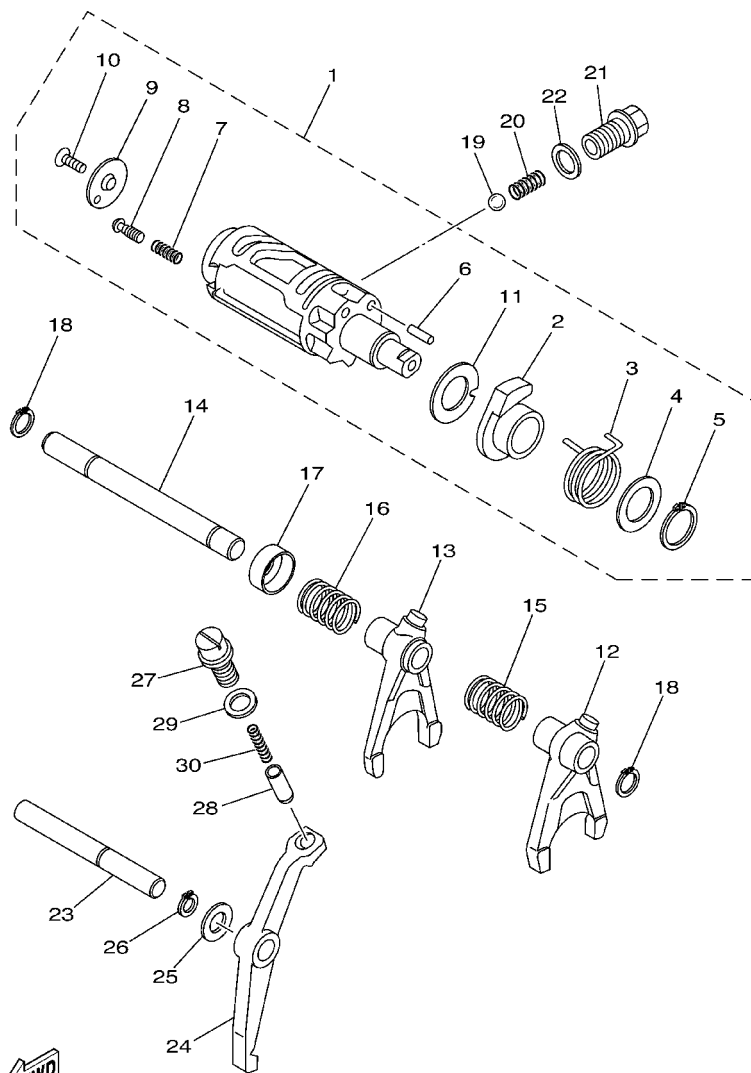
**FIG. 18 MIDDLE DRIVE GEAR**



5KM1100-2181

REF. NO.	PART NO.	DESCRIPTION	CHE	GBR	AUS	REMARKS
20	4KB-17531-30	SHIM, PINION (0.30T)	2	2	2	UR
	4KB-17531-40	SHIM, PINION (0.40T)	2	2	2	UR
	4KB-17531-50	SHIM, PINION (0.50T)	2	2	2	UR
	4KB-17531-60	SHIM, PINION (0.60T)	2	2	2	UR
21	5KM-1761A-00	SHAFT, 1	1	1	1	
22	93306-20597	BEARING	1	1	1	
23	5KM-17576-00	YOKE,JOINT 2	1	1	1	
24	90201-14633	WASHER, PLATE	1	1	1	
25	90185-14070	NUT, SELF-LOCKING	1	1	1	
26	90179-55660	NUT	1	1	1	
27	93102-44454	OIL SEAL	1	1	1	

FIG. 19 SHIFT CAM. FORK

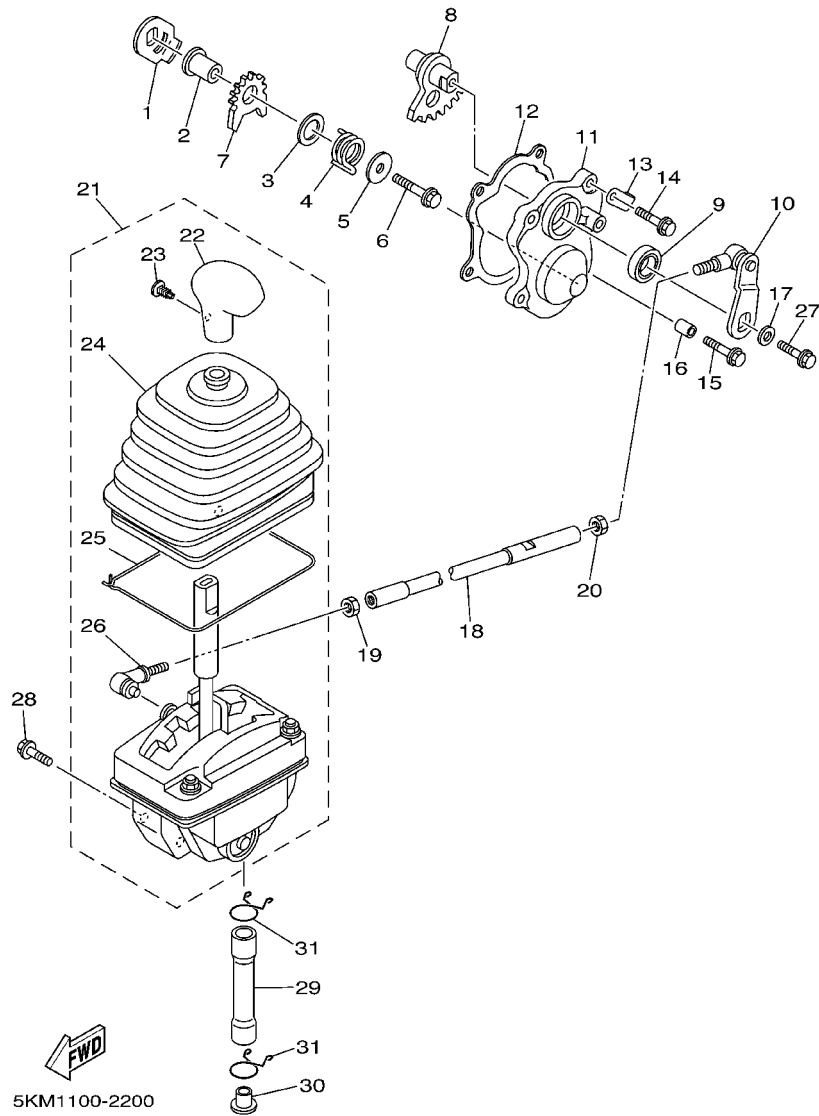


5KM1100-2190

REF. NO.	PART NO.	DESCRIPTION	CHE	GBR	AUS	REMARKS
1	5KM-18540-00	SHIFT CAM ASSY	1	1	1	
2	5KM-18171-00	.CAM, LEVER	1	1	1	
3	90508-32018	.SPRING, TORSION	1	1	1	
4	90201-20792	.WASHER, PLATE	1	1	1	
5	93410-20038	.CIRCLIP	1	1	1	
6	93604-18100	.PIN, DOWEL	1	1	1	
7	90501-06022	.SPRING, COMPRESSION	1	1	1	
8	5KM-18542-00	.POINT, NEUTRAL	1	1	1	
9	4UN-18566-00	.PLATE, SIDE 2	1	1	1	
10	90149-05321	.SCREW	1	1	1	
11	5KM-18331-00	.PLATE, SHIFT CAM	1	1	1	
12	5KM-18511-00	FORK, SHIFT 1	1	1	1	
13	5KM-18512-00	FORK, SHIFT 2	1	1	1	
14	5KM-18531-00	BAR, SHIFT FORK GUIDE 1	1	1	1	
15	90501-12016	SPRING, COMPRESSION	1	1	1	
16	90501-16002	SPRING, COMPRESSION	1	1	1	
17	5KM-18323-00	CAP, SPRING	1	1	1	
18	99009-12400	CIRCLIP	2	2	2	
19	93503-08007	BALL	1	1	1	
20	90501-10353	SPRING, COMPRESSION	1	1	1	
21	90105-14367	BOLT, FLANGE	1	1	1	
22	90430-14194	GASKET	1	1	1	
23	5KM-18318-00	SHAFT, SHIFTER	1	1	1	
24	5KM-18148-00	LEVER, STOPPER	1	1	1	
25	90201-127J6	WASHER, PLATE	1	1	1	
26	99009-12400	CIRCLIP	1	1	1	
27	90149-14001	SCREW	1	1	1	

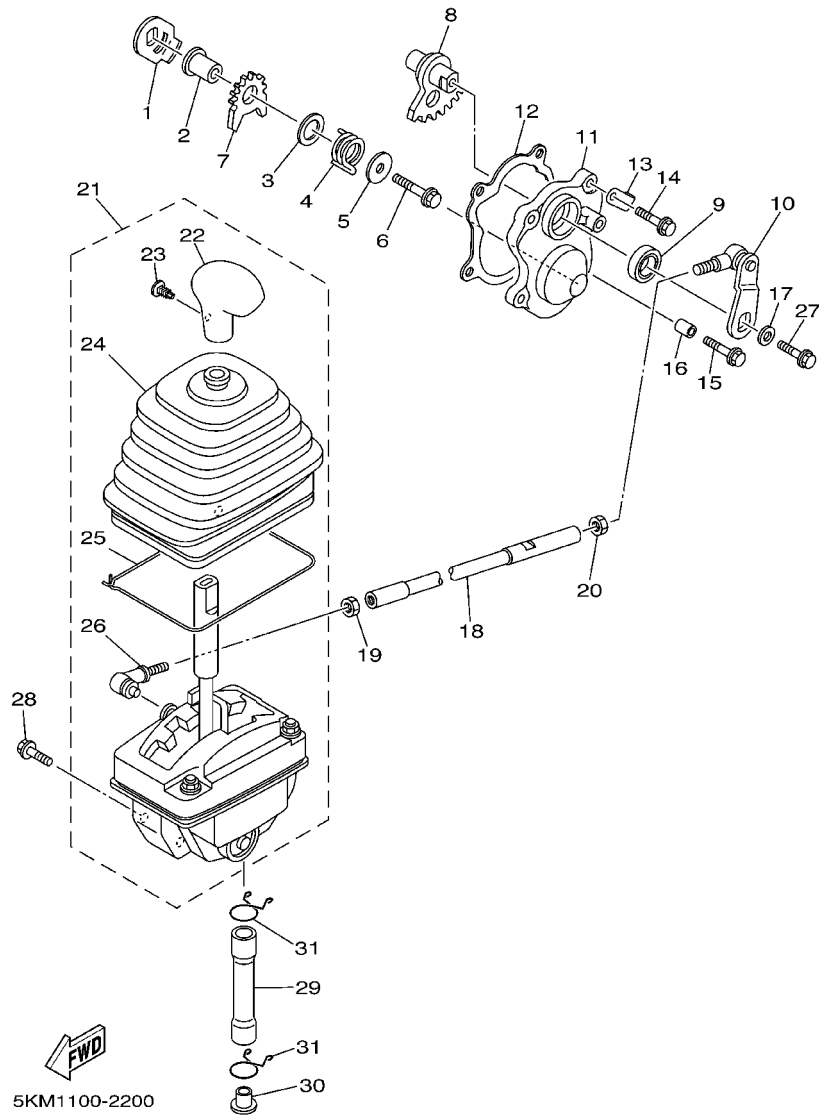


FIG. 20 SHIFT SHAFT



REF. NO.	PART NO.	DESCRIPTION	CHE	GBR	AUS	REMARKS
1	4SH-18198-00	LEVER	1	1	1	
2	90387-0613B	COLLAR	1	1	1	
3	90201-132G5	WASHER, PLATE	1	1	1	
4	90508-35764	SPRING, TORSION	1	1	1	
5	90201-06008	WASHER, PLATE	1	1	1	
6	95817-06035	BOLT, FLANGE	1	1	1	
7	5KM-18191-00	LEVER	1	1	1	
8	5KM-18197-00	SHAFT	1	1	1	
9	93102-15212	OIL SEAL	1	1	1	
10	5KM-18104-00	SHIFT GUIDE COMP.	1	1	1	
11	5KM-18129-00	COVER, SHIFT SHAFT	1	1	1	
12	5KM-18146-00	GASKET	1	1	1	
13	90465-10026	CLAMP	1	1	1	
14	95027-06020	BOLT, FLANGE	3	3	3	
15	95027-06030	BOLT, FLANGE	1	1	1	
16	99530-08012	PIN, DOWEL	1	1	1	
17	90201-06008	WASHER, PLATE	1	1	1	
18	5KM-18115-00	ROD, SHIFT	1	1	1	
19	90170-08358	NUT	1	1	1	
20	95307-08700	NUT	1	1	1	
21	5KM-18300-00	SHIFTER ASSY	1	1	1	
22	5GH-18174-00	.KNOB, SHIFT LEVER	1	1	1	
23	90269-05055	.RIVET	1	1	1	
24	5KM-18131-00	.BOOT, SEALING	1	1	1	
25	5GH-18617-00	.STOPPER,RUBBER	1	1	1	
26	1KT-18157-00	.JOINT 2	1	1	1	
27	95817-06016	BOLT, FLANGE	1	1	1	

FIG. 20 SHIFT SHAFT



REF. NO.	PART NO.	DESCRIPTION	CHE	GBR	AUS	REMARKS
28	95807-08020	BOLT, FLANGE	3	3	3	
29	90446-16001	HOSE	1	1	1	
30	90338-12081	PLUG	1	1	1	
31	90467-15012	CLIP	2	2	2	
-----						
-----						
-----						
-----						
-----						
-----						
-----						
-----						
-----						
-----						

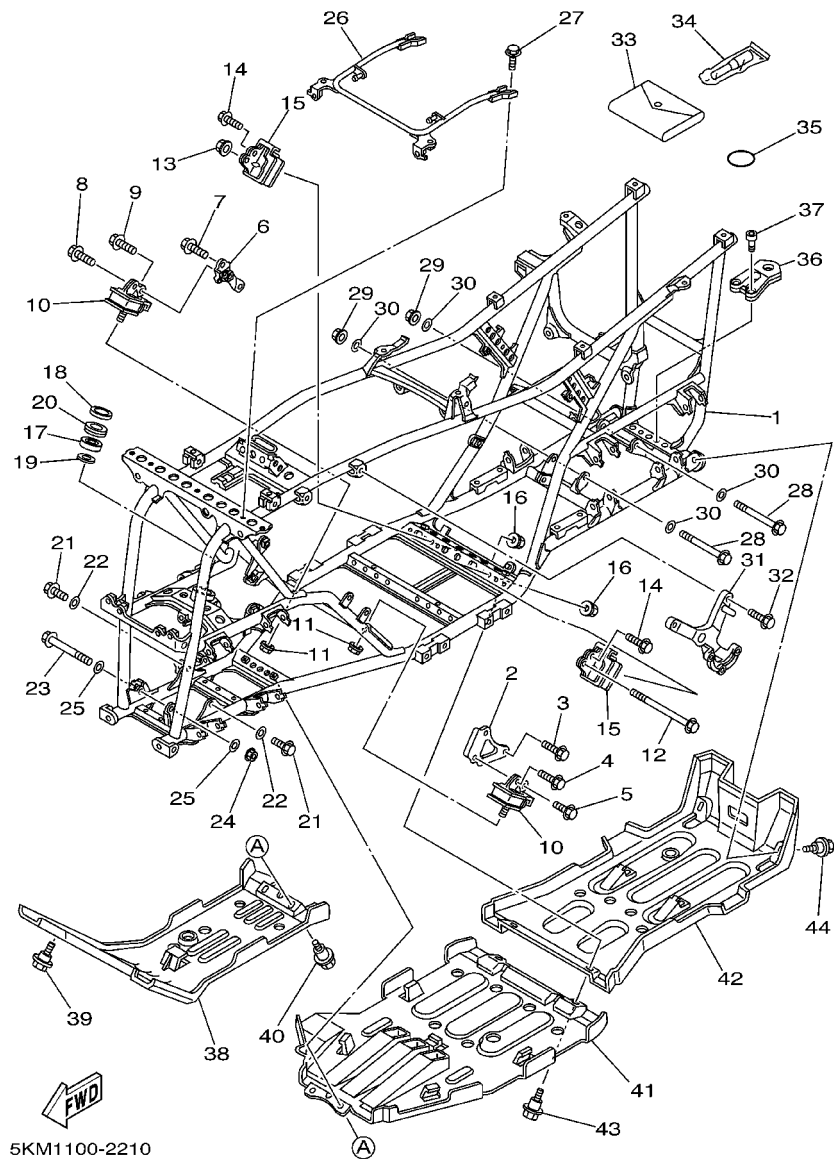


FIG. 21 FRAME

REF. NO.	PART NO.	DESCRIPTION	CHE	GBR	AUS	REMARKS
1	5KM-21110-00	FRAME COMP.	1	1	1	
2	5KM-21315-00	STAY, ENGINE 2	1	1	1	
3	95817-08020	BOLT, FLANGE	2	2	2	
4	95817-08016	BOLT, FLANGE	1	1	1	
5	95027-06016	BOLT, FLANGE	1	1	1	
6	5KM-21316-00	STAY, ENGINE 3	1	1	1	
7	95817-08020	BOLT, FLANGE	2	2	2	
8	95817-08016	BOLT, FLANGE	1	1	1	
9	95027-06016	BOLT, FLANGE	1	1	1	
10	5KM-21485-00	DAMPER, RUBBER 1	2	2	2	
11	95607-10200	NUT, SELF-LOCKING	2	2	2	
12	90105-10300	BOLT, FLANGE	1	1	1	
13	95607-10200	NUT, SELF-LOCKING	1	1	1	
14	95027-06016	BOLT, FLANGE	2	2	2	
15	5KM-21486-00	DAMPER 2	2	2	2	
16	95607-10200	NUT, SELF-LOCKING	2	2	2	
17	93306-20331	BEARING	1	1	1	
18	93102-25081	OIL SEAL	1	1	1	
19	93102-25099	OIL SEAL	1	1	1	
20	5GT-23872-00	HOLDER, BEARING	1	1	1	
21	95817-10030	BOLT, FLANGE	2	2	2	
22	90201-101J1	WASHER, PLATE	2	2	2	
23	90105-10051	BOLT, FLANGE	1	1	1	
24	95607-10200	NUT, SELF-LOCKING	1	1	1	
25	90201-101J1	WASHER, PLATE	2	2	2	
26	5KM-21513-00	STAY, FENDER 1	1	1	1	
27	95817-06012	BOLT, FLANGE	2	2	2	

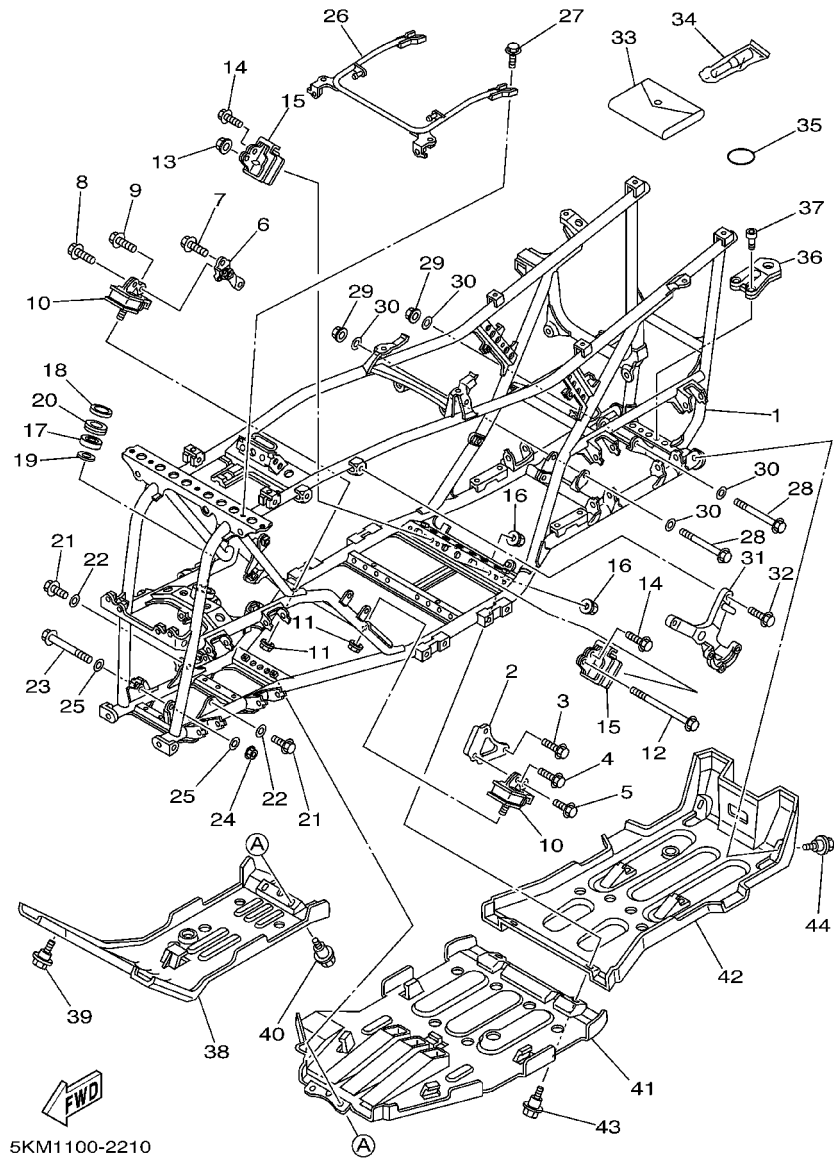
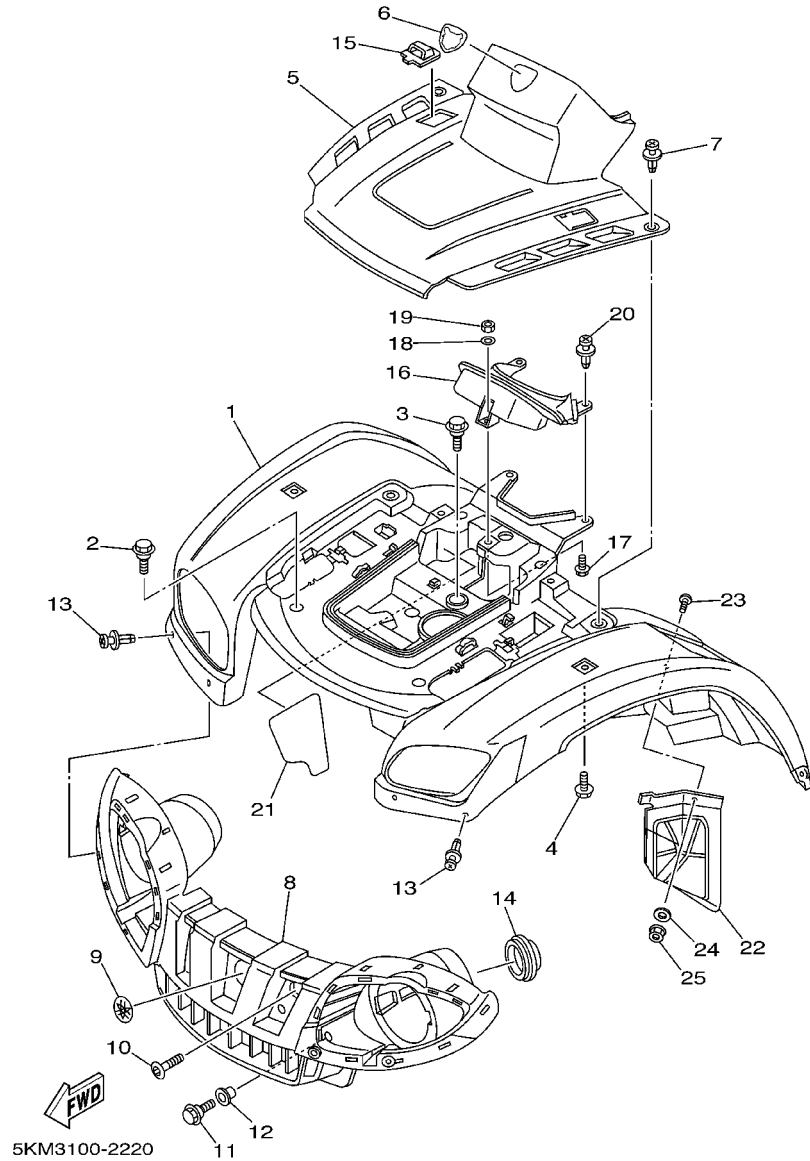


FIG. 21 FRAME

REF. NO.	PART NO.	DESCRIPTION	CHE	GBR	AUS	REMARKS
28	90105-10051	BOLT, FLANGE	2	2	2	
29	95607-10200	NUT, SELF-LOCKING	2	2	2	
30	90201-101J1	WASHER, PLATE	4	4	4	
31	5KM-21585-00	ARM	1	1	1	
32	95827-08020	BOLT, FLANGE	2	2	2	
33	4WV-28100-00	TOOL KIT	1	1	1	
34	1NV-2811A-01	GAUGE, AIR	1	1	1	
35	93210-41041	O-RING	1	1	1	
36	5KM-28488-00	HOOK	1	1		
	5KM-28488-10	HOOK			1	
37	91317-10025	BOLT	2	2	2	
38	5KM-2147A-00	GUARD, ENGINE 1	1	1	1	
39	90109-063F1	BOLT	2	2	2	
40	90109-063F5	BOLT	2	2	2	
41	5KM-2147E-00	GUARD, ENGINE 2	1	1	1	
42	5KM-2147F-00	GUARD, ENGINE 3	1	1	1	
43	90109-063F5	BOLT	2	2	2	
44	90109-063F1	BOLT	2	2	2	

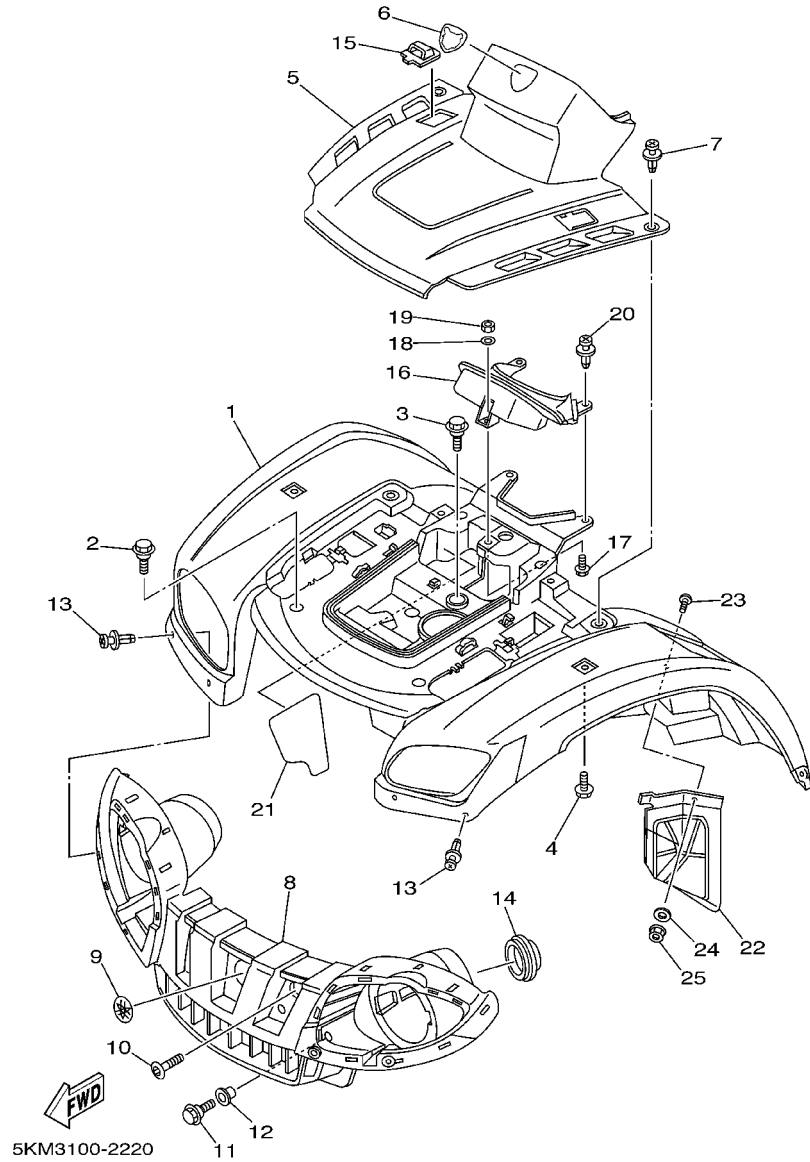
**FIG. 22 FRONT FENDER**



REF. NO.	PART NO.	DESCRIPTION	CHE	GBR	AUS	REMARKS
1	5KM-W215B-00	FRONT FENDER COMP. 2	1	1		UR FOR PDG
	5KM-W215B-10	FRONT FENDER COMP. 2	1	1		UR FOR RTR
	5KM-W215B-30	FRONT FENDER COMP. 2			1	FOR DPBSE
2	90109-063F1	BOLT	2	2	2	
3	90109-063F1	BOLT	1	1	1	
4	90119-06056	BOLT, WITH WASHER	2	2	2	
5	5KM-23391-00	PANEL, FRONT	1	1	1	
	5KM-23391-10	PANEL, FRONT	1	1		
6	5FE-26232-00	EMBLEM 3D	1	1	1	
7	90269-06002	RIVET	2	2	2	
8	5KM-28309-00	GRILLE, FRONT			1	
	5KM-28309-10	GRILLE, FRONT	1	1		
9	5KM-2175B-00	TUNING FORK MARK	1	1	1	
10	90110-06007	BOLT, HEXAGON SOCKET HEAD	2	2	2	
11	95807-06016	BOLT, FLANGE	2	2	2	
12	90387-06648	COLLAR	2	2	2	
13	90269-06002	RIVET	4	4	4	
14	5GH-28349-00	CAP	2	2	2	
15	5KM-23338-00	CAP, SIDE 1	2	2	2	
16	5KM-2837L-00	PANEL, CONSOLE 1	1	1	1	
17	90109-063F5	BOLT	1	1	1	
18	90201-07081	WASHER, PLATE	1	1	1	
19	95317-06600	NUT	1	1	1	
20	90269-06002	RIVET	2	2	2	
21	5KM-21575-00	SEAL 1	1	1	1	
22	5KM-2193A-00	PROTECTOR	1	1	1	
23	90154-05005	SCREW, BINDING	1	1	1	

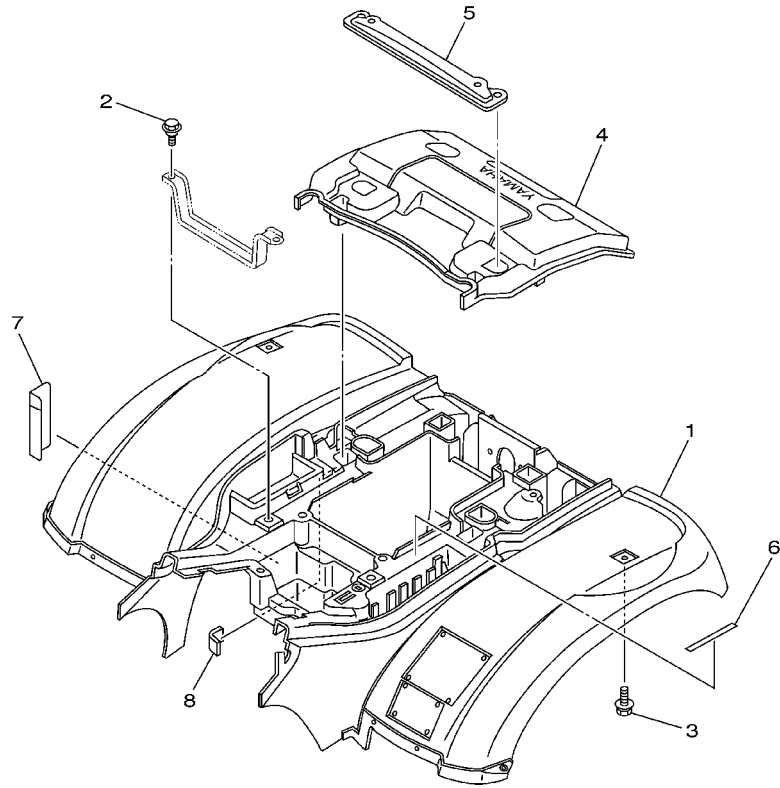


FIG. 22 FRONT FENDER



REF. NO.	PART NO.	DESCRIPTION	CHE	GBR	AUS	REMARKS
24	90201-05029	WASHER, PLATE	1	1	1	
25	95707-05300	NUT, FLANGE	1	1	1	

**FIG. 23 REAR FENDER**

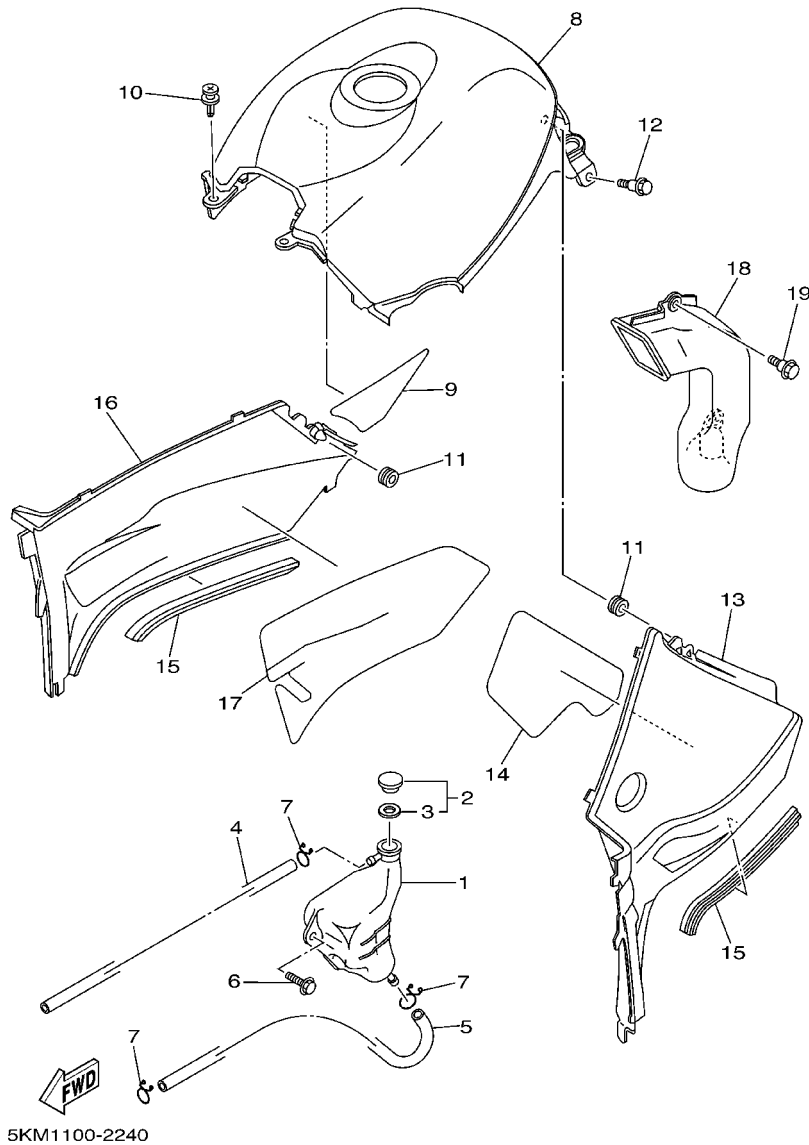


REF. NO.	PART NO.	DESCRIPTION	CHE	GBR	AUS	REMARKS
1	5KM-W216B-00	REAR FENDER COMP.2	1	1		UR FOR PDG
	5KM-W216B-10	REAR FENDER COMP.2	1	1		UR FOR RTR
	5KM-W216B-30	REAR FENDER COMP.2			1	FOR DPBSE
2	90109-060F3	BOLT	2	2	2	
3	90119-06056	BOLT, WITH WASHER	2	2	2	
4	5KM-2160F-00	LID	1	1		UR FOR PDG
	5KM-2160F-10	LID	1	1		UR FOR RTR
	5KM-2160F-30	LID			1	FOR DPBSE
5	5KM-21613-00	STAY, FENDER 1	1	1	1	
6	4CY-28218-00	SEAL 1	2	2	2	
7	5GH-2163E-00	COVER, REAR FENDER 2	1	1	1	
8	5KM-21652-10	PROTECTOR	1	1	1	



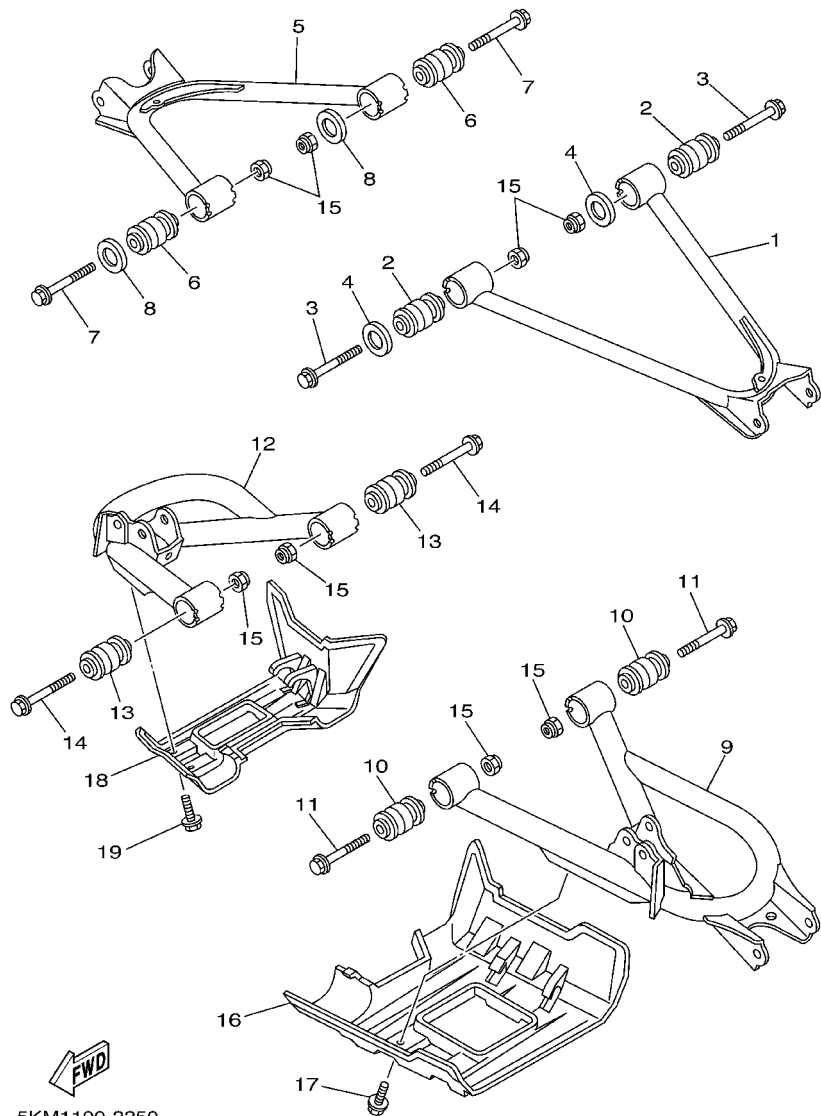
5KM1100-2230

FIG. 24 SIDE COVER



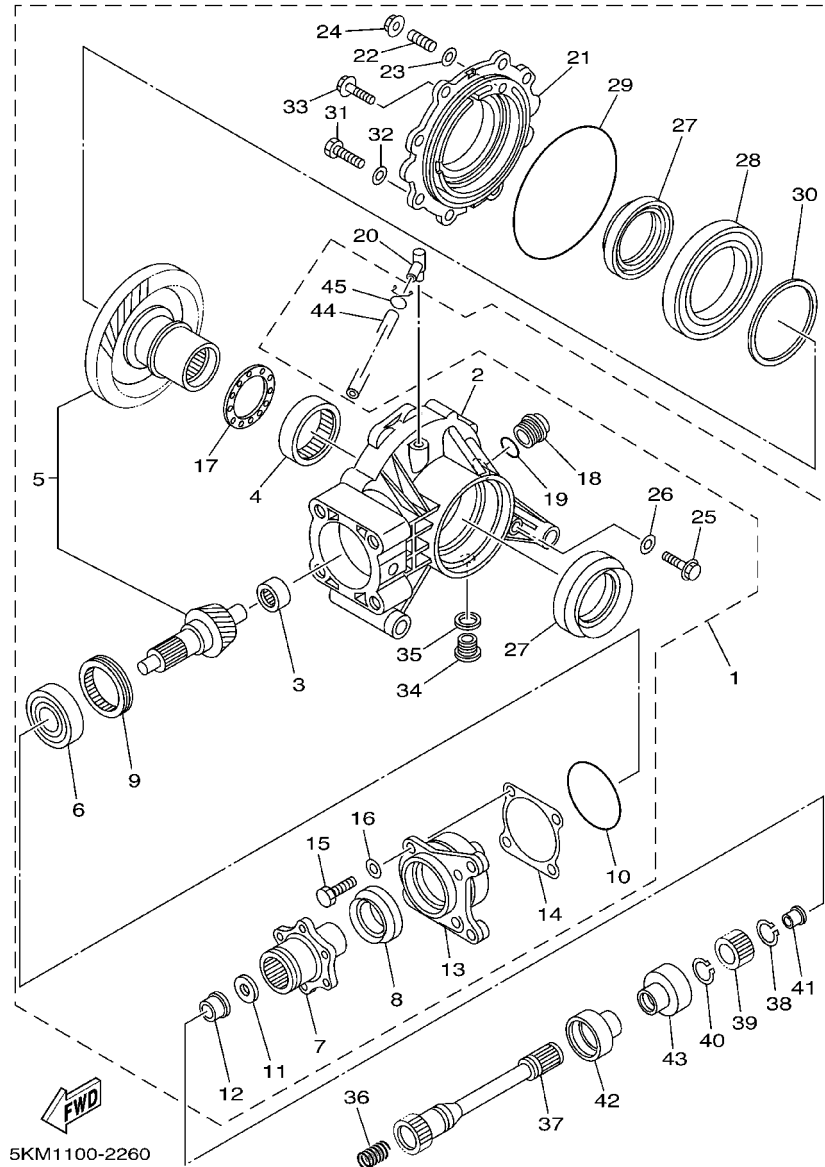
REF. NO.	PART NO.	DESCRIPTION	CHE	GBR	AUS	REMARKS
1	5KM-21871-00	TANK, RECOVERY	1	1	1	
2	1AA-21815-00	CAP	1	1	1	
3	1AA-21874-00	.GASKET	1	1	1	
4	90445-096F4	HOSE (L870)	1	1	1	
5	90445-09635	HOSE (L910)	1	1	1	
6	90119-06056	BOLT, WITH WASHER	2	2	2	
7	90467-08003	CLIP	3	3	3	
8	5KM-2171A-00	COVER, TOP	1	1		UR FOR PDG
	5KM-2171A-10	COVER, TOP	1	1		UR FOR RTR
	5KM-2171A-30	COVER, TOP			1	FOR DPBSE
9	5KM-2174M-00	CLOTH, PROTECTOR	1	1	1	
10	90269-06002	RIVET	2	2	2	
11	90480-13567	GROMMET	2	2	2	
12	90109-063F1	BOLT	2	2	2	
13	5KM-21711-00	COVER, SIDE 1	1	1	1	
14	5KM-2174A-00	INSULATOR, SIDE COVER	1	1	1	
15	5KM-2171L-00	MOLE, SIDE COVER 1	2	2	2	
16	5KM-21721-00	COVER, SIDE 2	1	1	1	
17	5KM-2174T-00	INSULATOR, SIDE COVER 2	1	1	1	
18	5KM-21557-00	DUCT, AIR	1	1	1	
19	90109-063F1	BOLT	2	2	2	

FIG. 25 REAR ARM



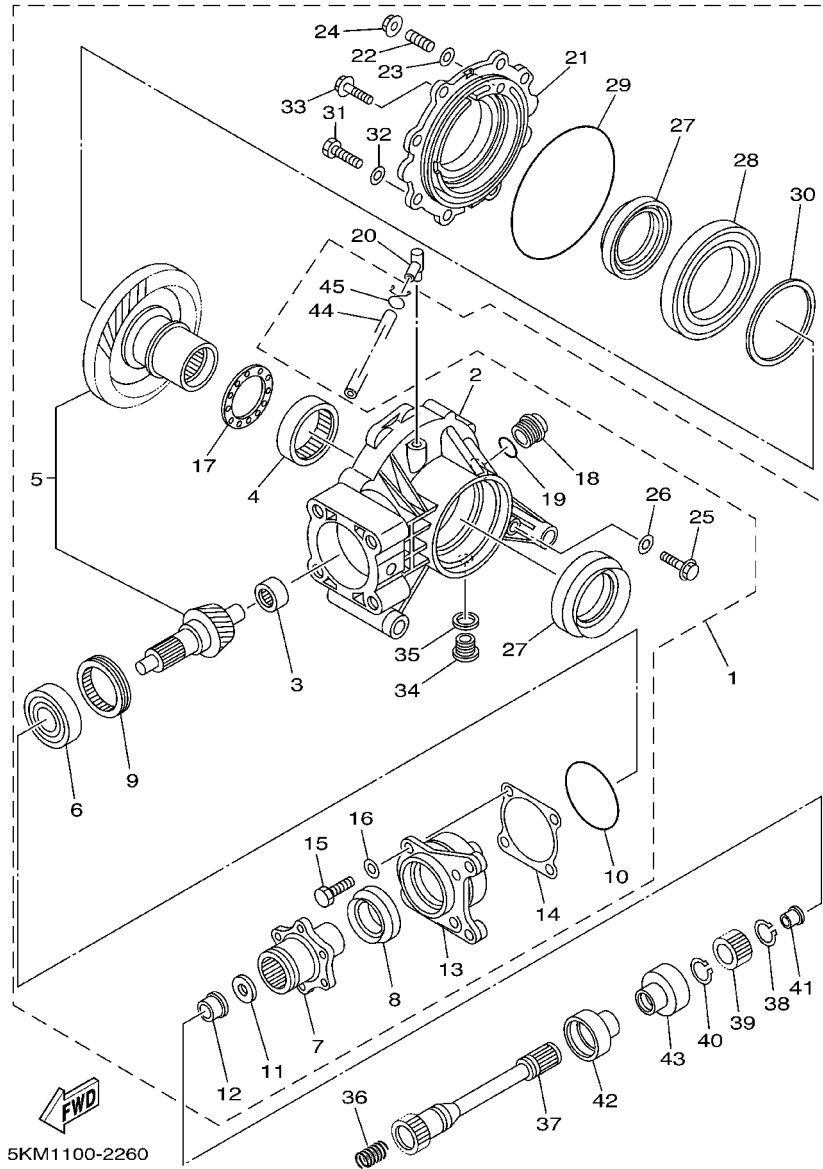
REF. NO.	PART NO.	DESCRIPTION	CHE	GBR	AUS	REMARKS
1	5KM-22171-00	ARM, REAR 1	1	1	1	
2	5KM-23526-00	BUSH	2	2	2	
3	90105-10323	BOLT, FLANGE	2	2	2	
4	5KM-22149-00	WASHER	2	2	2	
5	5KM-22172-00	ARM, REAR 2	1	1	1	
6	5KM-23526-00	BUSH	2	2	2	
7	90105-10323	BOLT, FLANGE	2	2	2	
8	5KM-22149-00	WASHER	2	2	2	
9	5KM-2217M-00	ARM 1	1	1	1	
10	5KM-23526-00	BUSH	2	2	2	
11	90105-10323	BOLT, FLANGE	2	2	2	
12	5KM-2217N-00	ARM 2	1	1	1	
13	5KM-23526-00	BUSH	2	2	2	
14	90105-10323	BOLT, FLANGE	2	2	2	
15	90185-10060	NUT, SELF-LOCKING	8	8	8	
16	5KM-22128-00	COVER, THRUST 1	1	1	1	
17	90119-06117	BOLT, WITH WASHER	2	2	2	
18	5KM-22129-00	COVER, THRUST 2	1	1	1	
19	90119-06117	BOLT, WITH WASHER	2	2	2	

FIG. 26 DRIVE SHAFT



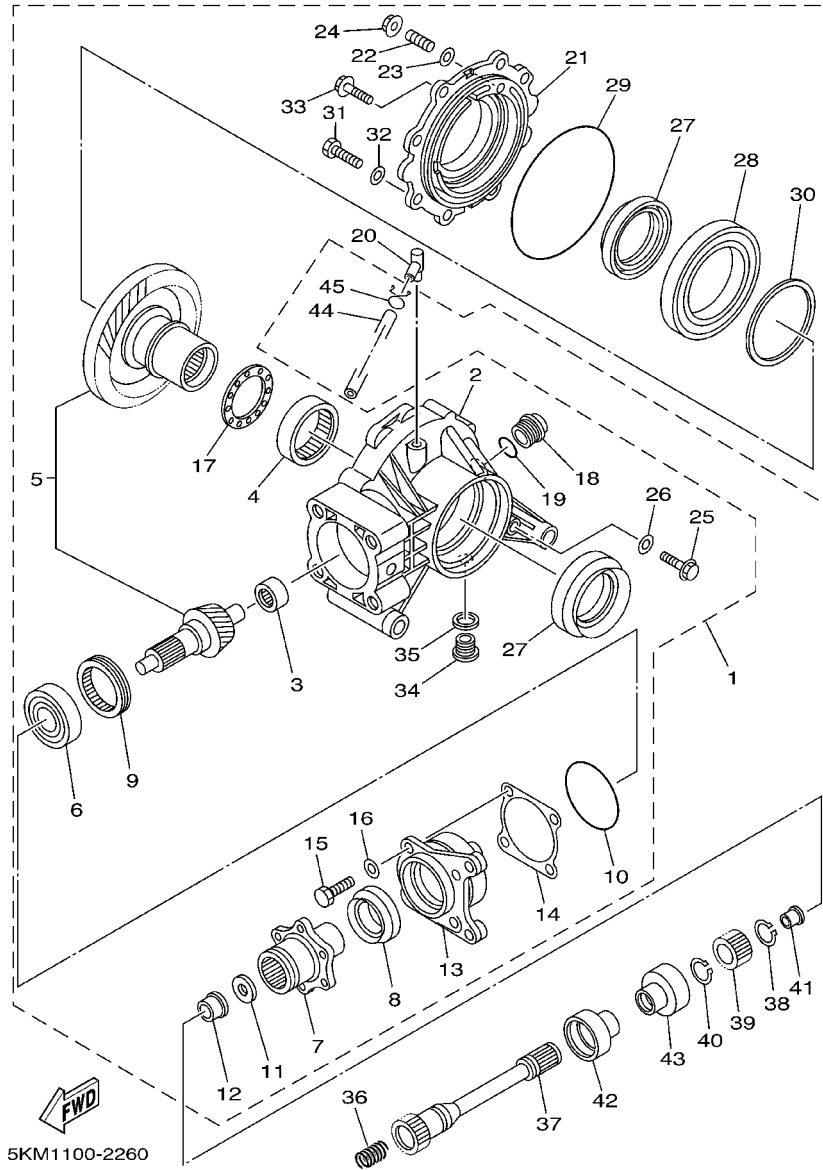
REF. NO.	PART NO.	DESCRIPTION	CHE	GBR	AUS	REMARKS
1	5KM-46101-00	REAR AXLE GEAR CASE ASSY	1	1	1	
2	5KM-46151-00	.HOUSING, DRIVE SHAFT	1	1	1	
3	5KM-46102-00	.BEARING ASSY	1	1	1	
4	93317-85569	.BEARING	1	1	1	
5	5KM-Y4612-00	.RING GEAR SET	1	1	1	
6	93306-30574	.BEARING	1	1	1	
7	5KM-46212-00	.BOSS, 1	1	1	1	
8	93102-35009	.OIL SEAL	1	1	1	
9	90179-65305	.NUT	1	1	1	
10	93210-626A7	.O-RING	1	1	1	
11	90201-12191	.WASHER, PLATE	1	1	1	
12	90179-12325	.NUT	1	1	1	
13	5KM-46144-00	.HOUSING, PINION BEARING	1	1	1	
14	2HR-46127-00-25	.SHIM, DRIVE PISTON (0.25T)	1	1	1	UR
	2HR-46127-00-30	.SHIM, DRIVE PISTON (0.30T)	1	1	1	UR
	2HR-46127-00-35	.SHIM, DRIVE PISTON (0.35T)	1	1	1	UR
	2HR-46127-00-40	.SHIM, DRIVE PISTON (0.40T)	1	1	1	UR
	2HR-46127-00-45	.SHIM, DRIVE PISTON (0.45T)	1	1	1	UR
	2HR-46127-00-50	.SHIM, DRIVE PISTON (0.50T)	1	1	1	UR
15	97027-08035	.BOLT	4	4	4	
16	92907-08600	.WASHER, PLATE	4	4	4	
17	24W-46118-00-12	.WASHER, THRUST (1.2T)	1	1	1	UR
	24W-46118-00-14	.WASHER, THRUST (1.4T)	1	1	1	UR
	24W-46118-00-16	.WASHER, THRUST (1.6T)	1	1	1	UR
	24W-46118-00-18	.WASHER, THRUST (1.8T)	1	1	1	UR
	24W-46118-00-20	.WASHER, THRUST (2.0T)	1	1	1	UR
18	90340-20143	.PLUG, STRAIGHT SCREW	1	1	1	

FIG. 26 DRIVE SHAFT



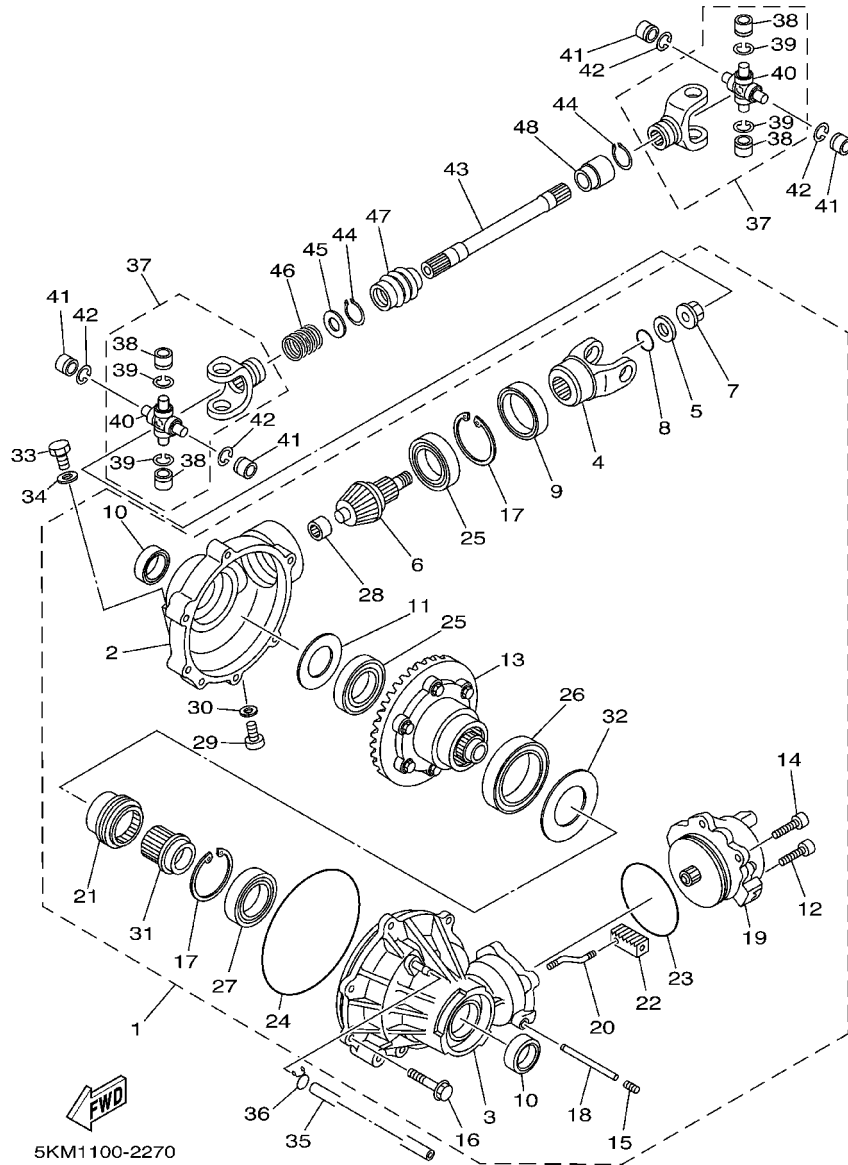
REF. NO.	PART NO.	DESCRIPTION	CHE	GBR	AUS	REMARKS
19	93210-19123	.O-RING	1	1	1	
20	2N4-15371-00	.BREATHER	1	1	1	
21	5KM-46152-00	.HOUSING, BEARING	1	1	1	
22	2HR-46156-00	.STOPPER, RING GEAR	1	1	1	
23	90201-08087	.WASHER, PLATE	1	1	1	
24	95707-08500	.NUT, FLANGE	1	1	1	
25	95027-08012	.BOLT, FLANGE	1	1	1	
26	90201-08087	.WASHER, PLATE	1	1	1	
27	93102-65004	.OIL SEAL	2	2	2	
28	93316-01701	.BEARING	1	1	1	
29	93211-51749	.O-RING	1	1	1	
30	22U-46117-00-25	.SHIM, RING GEAR (0.25T)	1	1	1	UR
	22U-46117-00-30	.SHIM, RING GEAR (0.30T)	1	1	1	UR
	22U-46117-00-40	.SHIM, RING GEAR (0.40T)	1	1	1	UR
31	97027-08025	.BOLT	6	6	6	
32	92907-08600	.WASHER, PLATE	6	6	6	
33	95817-10025	.BOLT, FLANGE	2	2	2	
34	90340-14046	.PLUG, STRAIGHT SCREW	1	1	1	
35	214-11198-01	.GASKET	1	1	1	
36	90501-18002	SPRING, COMPRESSION	1	1	1	
37	5KM-46172-00	SHAFT, DRIVE	1	1	1	
38	99009-19400	CIRCLIP	1	1	1	
39	5KM-46126-00	COUPLING	1	1	1	
40	93410-22039	CIRCLIP	1	1	1	
41	5KM-46559-00	DAMPER	1	1	1	
42	5KM-46137-00	SEAL 2	1	1	1	
43	5KM-46136-00	SEAL 1	1	1	1	

**FIG. 26 DRIVE SHAFT**



REF. NO.	PART NO.	DESCRIPTION	CHE	GBR	AUS	REMARKS
44	90445-07371	HOSE (L700)	1	1	1	
45	90467-07029	CLIP	1	1	1	

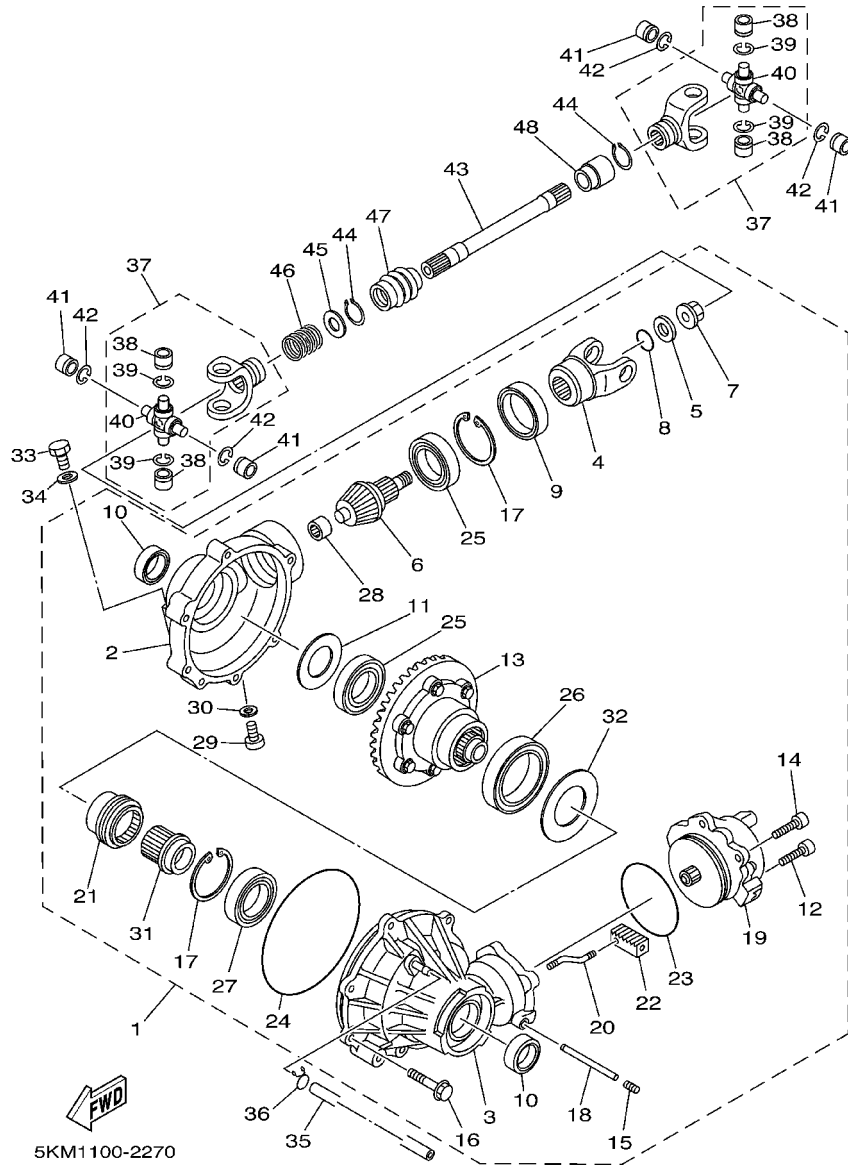
FIG. 27 FRONT DIFFERENTIAL



REF. NO.	PART NO.	DESCRIPTION	CHE	GBR	AUS	REMARKS
1	5KM-46160-00	FRONT AXLE GEAR CASE COMP.	1	1	1	
2	5KM-46161-00	.HOUSING, SHAFT DRIVE 2	1	1	1	
3	5KM-46162-00	.HOUSING, BEARING 2	1	1	1	
4	5KM-46146-00	.YOKE, JOINT 2	1	1	1	
5	90201-14633	.WASHER, PLATE	1	1	1	
*6	5KM-46141-00	.PINION, DRIVE 2	1	1	1	
7	4WV-46145-00	.NUT 1	1	1	1	
8	93210-14359	.O-RING	1	1	1	
9	93102-48012	.OIL SEAL	1	1	1	
10	93102-24034	.OIL SEAL	2	2	2	
11	4WV-46119-00	.SHIM, THRUST (0.1T)	1	1	1	UR
	4WV-46119-10	.SHIM, THRUST (0.2T)	1	1	1	UR
	4WV-46119-20	.SHIM, THRUST (0.3T)	1	1	1	UR
	4WV-46119-30	.SHIM, THRUST (0.4T)	1	1	1	UR
	4WV-46119-40	.SHIM, THRUST (0.5T)	1	1	1	UR
	4WV-46119-50	.SHIM, THRUST (1.0T)	1	1	1	UR
	4WV-46119-60	.SHIM, THRUST (1.5T)	1	1	1	UR
	4WV-46119-70	.SHIM, THRUST (2.0T)	1	1	1	UR
	4WV-46119-80	.SHIM, THRUST (2.5T)	1	1	1	UR
12	5KM-46155-00	.BOLT 1	1	1	1	
13	5KM-46470-00	.LIMITED SLIP DIFF. ASSY	1	1	1	
14	91317-08020	.BOLT	2	2	2	
15	90113-08004	.BOLT, SET	1	1	1	
16	4WV-46159-00	.BOLT 3	6	6	6	
17	4WV-46143-00	.RING,HOLE SNAP 2	2	2	2	
*18	5KM-42752-00	.SHAFT	1	1	1	
19	5KM-4616A-00	.SERVO MOTOR COMP	1	1	1	

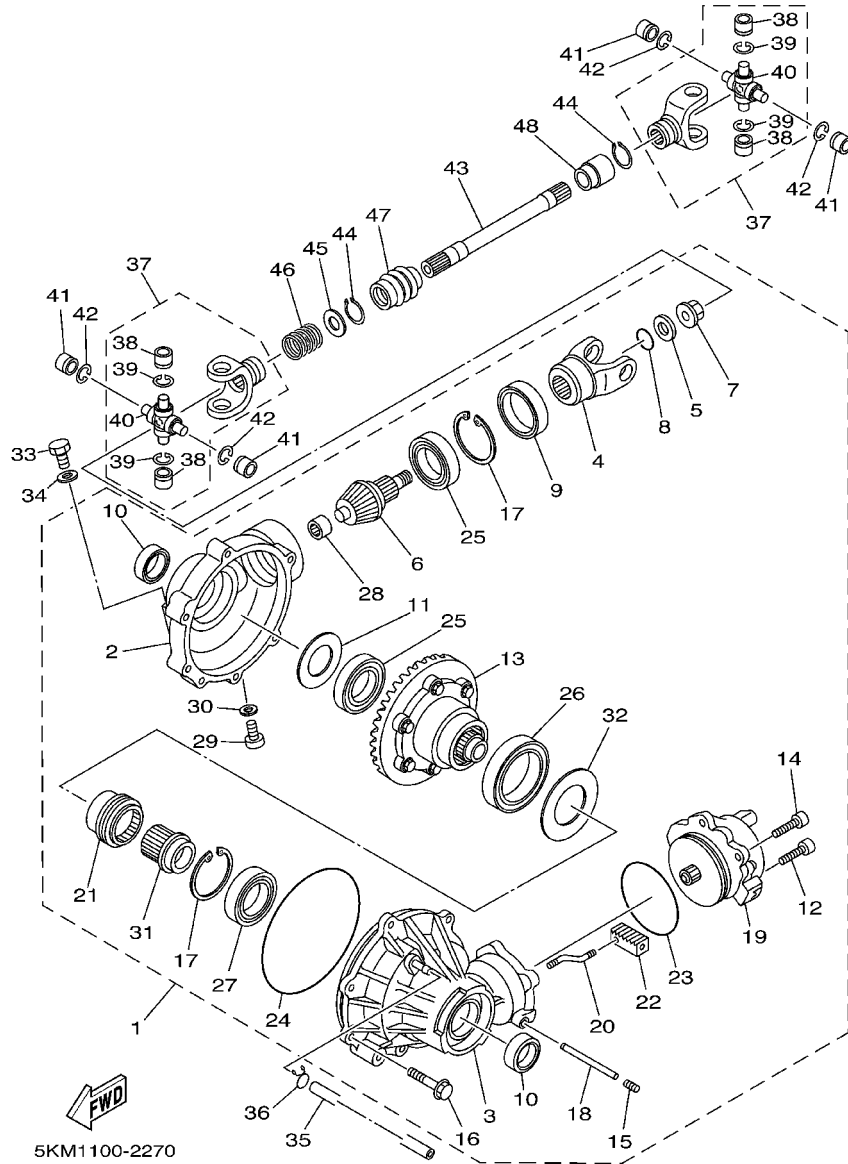


FIG. 27 FRONT DIFFERENTIAL



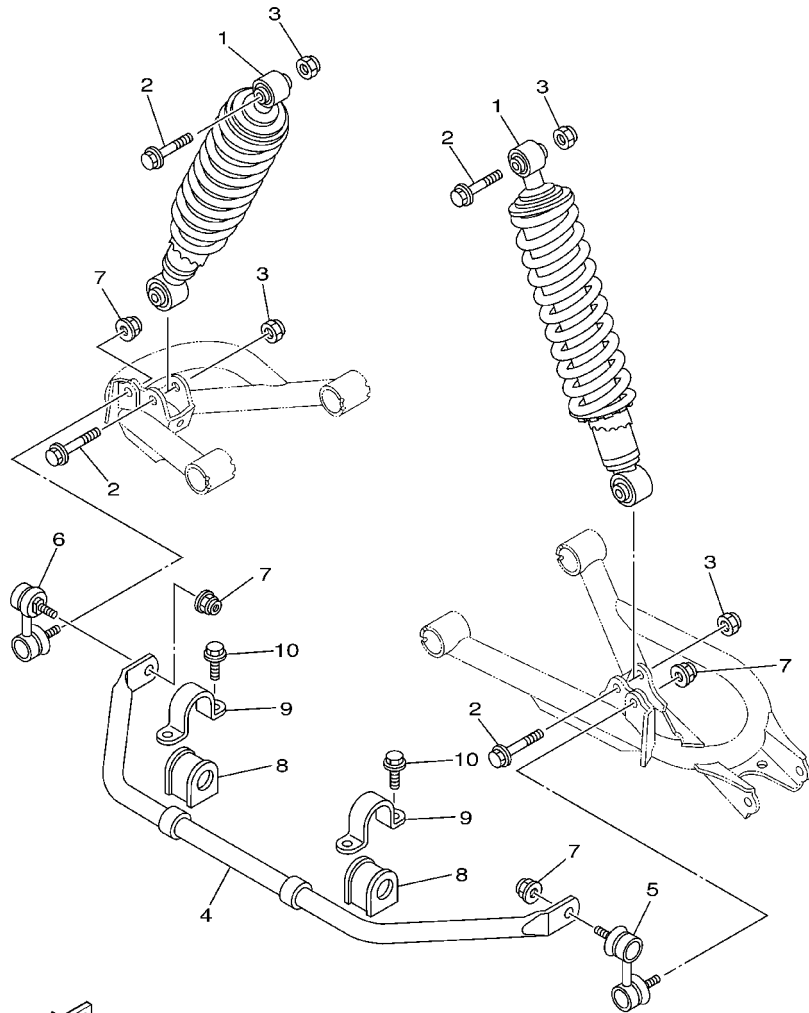
REF. NO.	PART NO.	DESCRIPTION	CHE	GBR	AUS	REMARKS
20	5KM-18514-00	.FORK, SHIFT 4	1	1	1	
21	5KM-46441-00	.CLUTCH,DRIVEN	1	1	1	
22	5KM-18319-00	.SHAFT 2	1	1	1	
23	93210-82001	.O-RING	1	1	1	
24	93211-40040	.O-RING	1	1	1	
25	93306-00709	.BEARING	2	2	2	
26	93306-91201	.BEARING (B6912)	1	1	1	
27	93316-00702	.BEARING	1	1	1	
28	4WV-46167-00	.BEARING 4	1	1	1	
29	90340-10001	.PLUG, STRAIGHT SCREW	1	1	1	
30	90430-10003	.GASKET	1	1	1	
31	5KM-46451-00	.ADAPTER	1	1	1	
32	5KM-46119-00	.SHIM, THRUST (0.1T)	1	1	1	UR
	5KM-46119-10	.SHIM, THRUST (0.2T)	1	1	1	UR
	5KM-46119-20	.SHIM, THRUST (0.3T)	1	1	1	UR
	5KM-46119-30	.SHIM, THRUST (0.4T)	1	1	1	UR
	5KM-46119-40	.SHIM, THRUST (0.5T)	1	1	1	UR
	5KM-46119-50	.SHIM, THRUST (1.0T)	1	1	1	UR
	5KM-46119-60	.SHIM, THRUST (1.5T)	1	1	1	UR
33	90340-14029	PLUG, STRAIGHT SCREW	1	1	1	
34	214-11198-01	GASKET	1	1	1	
35	90445-07371	HOSE (L700)	1	1	1	
36	90467-07029	CLIP	1	1	1	
37	5KM-46107-00	CROSS JOINT COMP. 2	2	2	2	
38	93399-99948	.BEARING	2	2	2	
39	93440-20088	.CIRCLIP	2	2	2	
40	5GT-46187-00	.SPIDER	1	1	1	

**FIG. 27 FRONT DIFFERENTIAL**



REF. NO.	PART NO.	DESCRIPTION	CHE	GBR	AUS	REMARKS
41	93399-99948	BEARING	4	4	4	
42	93440-20088	CIRCLIP	4	4	4	
43	5KM-46173-00	SHAFT, DRIVE 2	1	1	1	
44	99009-19400	CIRCLIP	2	2	2	
45	90201-20266	WASHER, PLATE (T=1.0)	1	1	1	
46	90501-235L9	SPRING, COMPRESSION	1	1	1	
47	5GT-46136-00	SEAL 1	1	1	1	
48	5GT-46137-00	SEAL 2	1	1	1	

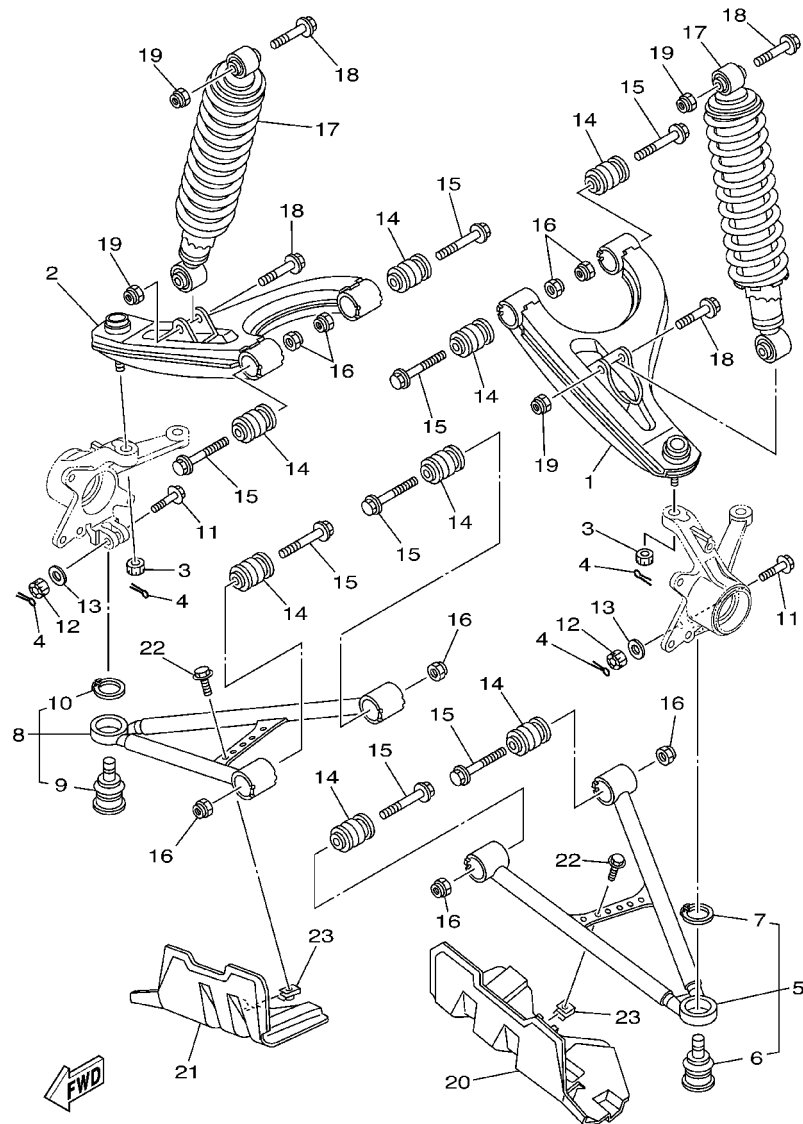
**FIG. 28 REAR SUSPENSION**



5KM1100-2281

REF. NO.	PART NO.	DESCRIPTION	CHE	GBR	AUS	REMARKS
1	5KM-22210-10	SHOCK ABSORBER ASSY, REAR	2	2	2	
2	90105-10388	BOLT, FLANGE	4	4	4	
3	90185-10060	NUT, SELF-LOCKING	4	4	4	
4	5KM-47491-00	BAR, STABILIZER	1	1	1	
5	5KM-2385L-00	JOINT, STABILIZER 1	1	1	1	
6	5KM-2385M-00	JOINT, STABILIZER 2	1	1	1	
7	95607-10200	NUT, SELF-LOCKING	4	4	4	
8	5KM-2386G-00	BUSH, STABILIZER FRONT	2	2	2	
9	5KM-2386H-00	COVER, STABILIZER FRONT	2	2	2	
10	95817-08014	BOLT, FLANGE	4	4	4	

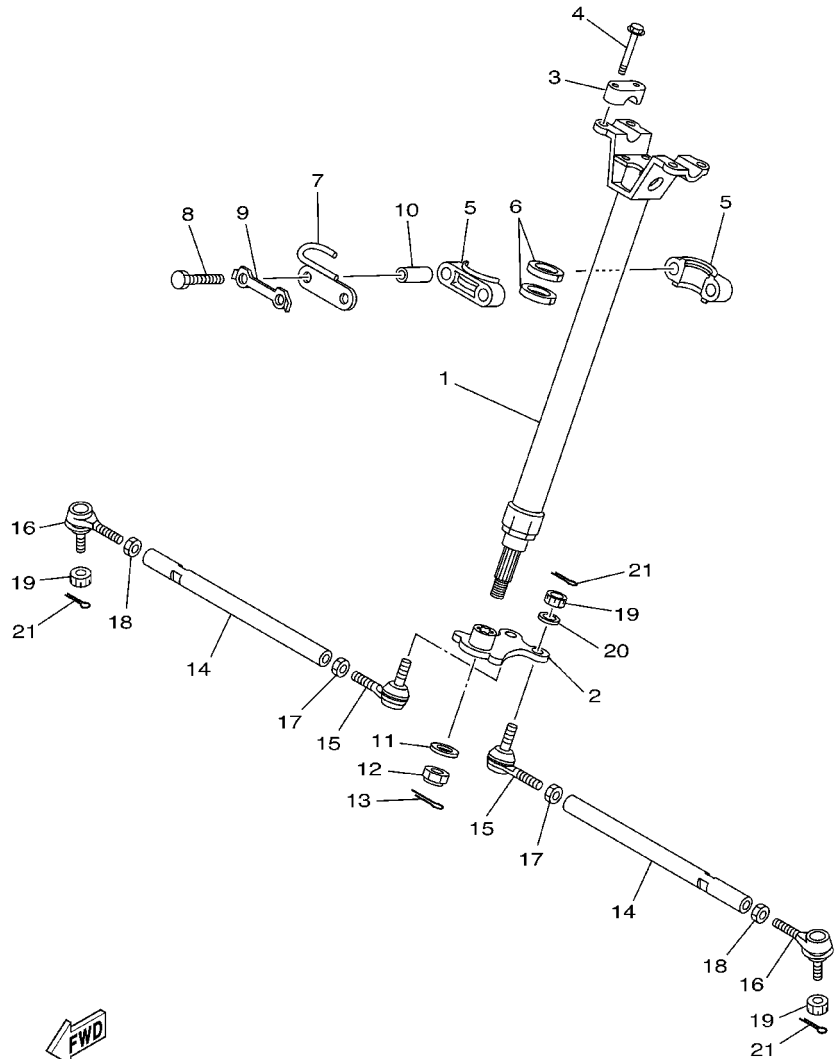
FIG. 29 FRONT SUSPENSION. WHEEL



5KM1100-2291

REF. NO.	PART NO.	DESCRIPTION	CHE	GBR	AUS	REMARKS
1	5KM-23540-00	FRONT UPPER ARM COMP. (LEFT)	1	1	1	
2	5KM-23550-00	FRONT UPPER ARM COMP. (RIGHT)	1	1	1	
3	90171-10046	NUT, CASTLE	2	2	2	
4	91401-20020	PIN, COTTER	4	4	4	
5	5KM-23570-00	FRONT LOWER ARM COMP. (LEFT)	1	1	1	
6	5KM-23579-00	.BALL JOINT 2	1	1	1	
7	99009-30400	.CIRCLIP	1	1	1	
8	5KM-23580-00	FRONT LOWER ARM COMP. (RIGHT)	1	1	1	
9	5KM-23579-00	.BALL JOINT 2	1	1	1	
10	99009-30400	.CIRCLIP	1	1	1	
11	90105-10549	BOLT, FLANGE	2	2	2	
12	95337-10600	NUT	2	2	2	
13	90201-10430	WASHER, PLATE	2	2	2	
14	5KM-23526-00	BUSH	8	8	8	
15	90105-10286	BOLT, FLANGE	8	8	8	
16	90185-10060	NUT, SELF-LOCKING	8	8	8	
17	5KM-23350-10	SHOCK ABSORBER ASSY	2	2	2	
18	90105-10388	BOLT, FLANGE	4	4	4	
19	90185-10060	NUT, SELF-LOCKING	4	4	4	
20	5KM-23123-00	COVER, LOWER 1	1	1	1	
21	5KM-23133-00	COVER, LOWER 2	1	1	1	
22	95807-06012	BOLT, FLANGE	2	2	2	
23	90183-06053	NUT, SPRING	2	2	2	

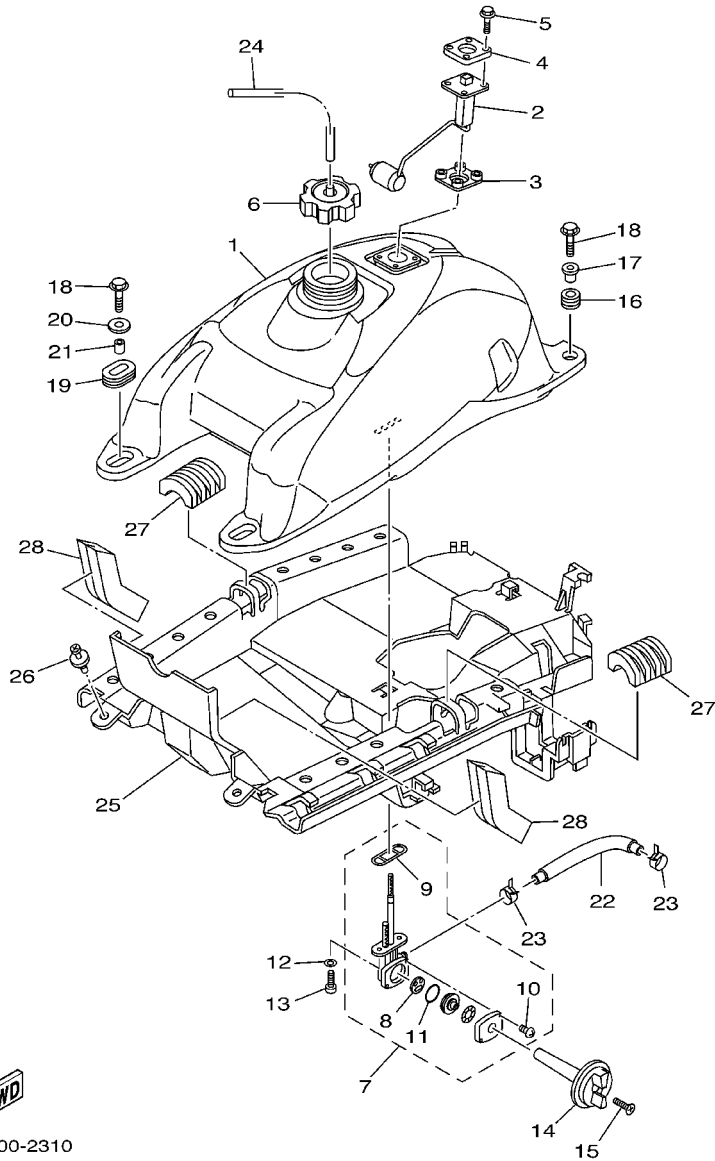
FIG. 30 STEERING



5KM1100-2300

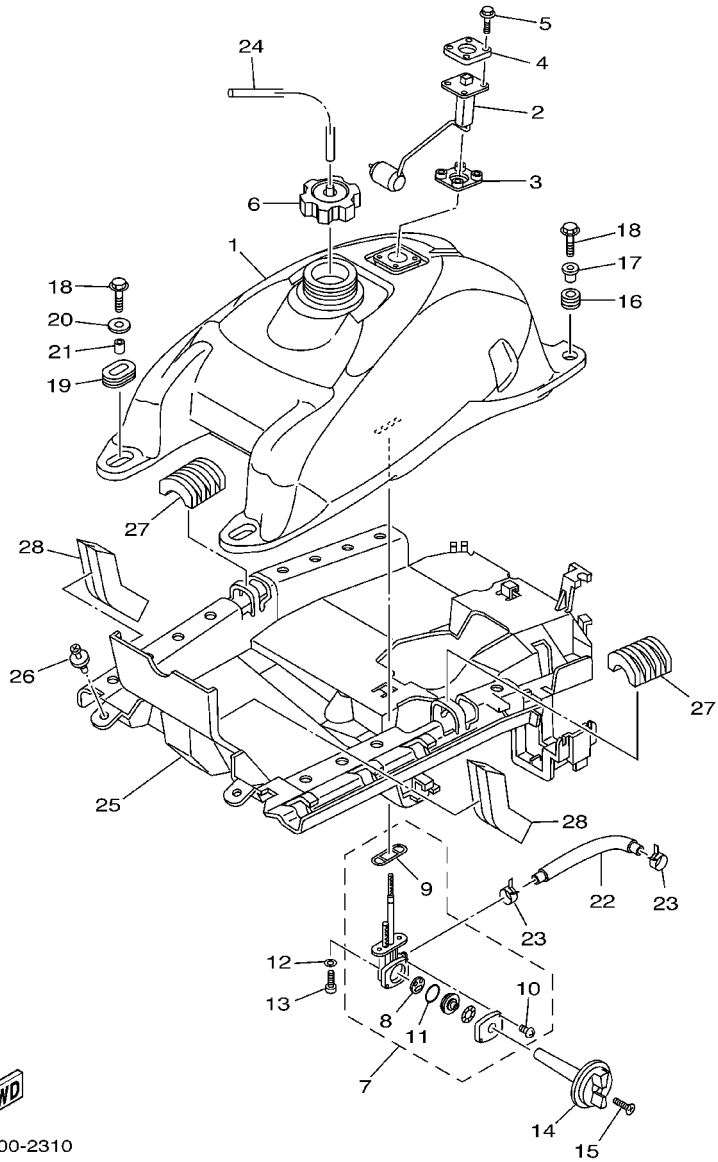
REF. NO.	PART NO.	DESCRIPTION	CHE	GBR	AUS	REMARKS
1	5KM-23813-00	COLUMN, STEERING 2	1	1	1	
2	5KM-23816-00	ARM, PITMAN	1	1	1	
3	8K1-23814-00	HOLDER, HANDLE	2	2	2	
4	95827-08030	BOLT, FLANGE	4	4	4	
5	1UY-23812-00	PLANE BEARING, STEERING	2	2	2	
6	93112-31011	OIL SEAL	2	2	2	
7	5KM-23868-00	BRACKET, STEERING LOWER	1	1	1	
8	97027-08060	BOLT	2	2	2	
9	1UY-23894-01	WASHER, LOCK 1	1	1	1	
10	90387-090R0	COLLAR	2	2	2	
11	90201-14226	WASHER, PLATE	1	1	1	
12	90185-14070	NUT, SELF-LOCKING	1	1	1	
13	90468-16191	CLIP	1	1	1	
14	5KM-23831-00	ROD, TIE	2	2	2	
15	1UY-23841-01	JOINT, UNIVERSAL 1	2	2	2	
16	1UY-23845-01	JOINT, UNIVERSAL 2	2	2	2	
17	95307-10700	NUT	2	2	2	
18	90170-10186	NUT	2	2	2	(L.H. THREAD)
19	90171-10046	NUT, CASTLE	4	4	4	
20	92990-10600	WASHER, PLATE	2	2	2	
21	91401-20020	PIN, COTTER	4	4	4	

FIG. 31 FUEL TANK



REF. NO.	PART NO.	DESCRIPTION	CHE	GBR	AUS	REMARKS
1	5KM-24110-00	FUEL TANK COMP.	1	1	1	
2	5KM-85752-00	SENDER UNIT ASSY, FUEL METER	1	1	1	
3	4US-85753-00	GASKET, SENDER UNIT	1	1	1	
4	2JG-85757-00	RETAINER	1	1	1	
5	90119-05071	BOLT, WITH WASHER	4	4	4	
6	5KM-24610-00	CAP ASSY	1	1	1	
7	5KM-24500-00	FUEL COCK ASSY 1	1	1	1	
8	3AJ-24523-00	.VALVE PACKING	1	1	1	
9	3AJ-24534-00	.SEAL, COCK	1	1	1	
10	98507-03014	.SCREW, PAN HEAD	2	2	2	
11	4X8-24512-00	.O-RING	1	1	1	
12	90202-05193	WASHER, PLATE	2	2	2	
13	90149-06011	SCREW	2	2	2	
14	5GH-24524-00	LEVER, COCK	1	1	1	
15	98707-04018	SCREW, FLAT HEAD	1	1	1	
16	90480-18290	GROMMET	2	2	2	
17	90387-066J1	COLLAR	2	2	2	
18	95807-06025	BOLT, FLANGE	4	4	4	
19	90480-01400	GROMMET	2	2	2	
20	90201-060L5	WASHER, PLATE	2	2	2	
21	90387-07598	COLLAR	2	2	2	
22	5KM-24311-00	PIPE, FUEL 1	1	1	1	
23	90467-12053	CLIP	2	2	2	
24	90445-084J1	HOSE (L420)	1	1	1	
25	5KM-2414H-00	DAMPER, PLATE 1	1	1	1	
26	90269-06002	RIVET	2	2	2	
27	5KM-24181-00	DAMPER, LOCATING 1	2	2	2	

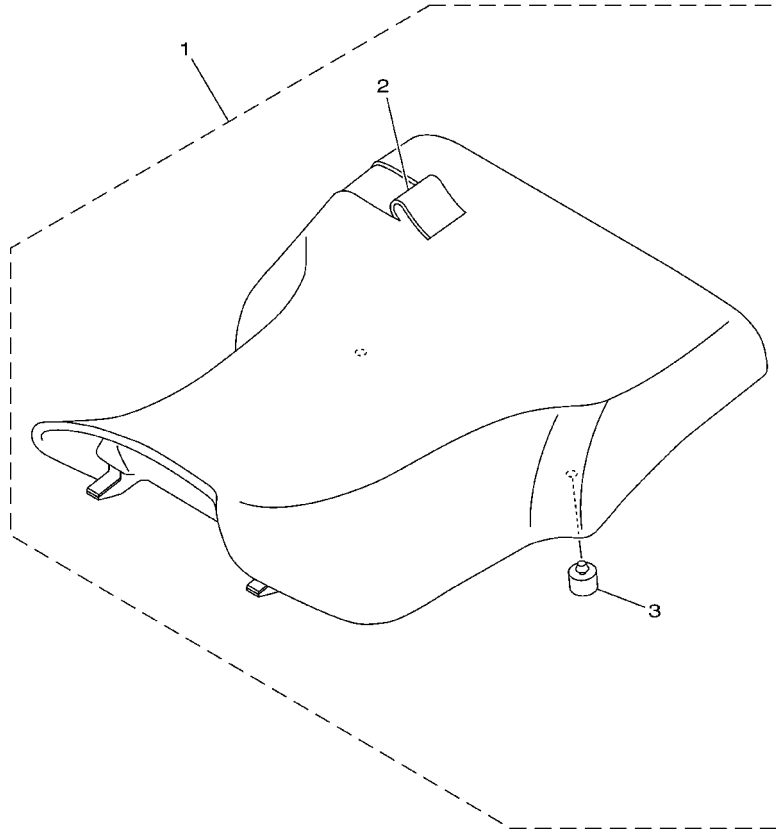
FIG. 31 FUEL TANK



  
5KM1100-2310

REF. NO.	PART NO.	DESCRIPTION	CHE	GBR	AUS	REMARKS
28	5KM-24182-00	DAMPER, LOCATING 2	2	2	2	

FIG. 32 SEAT



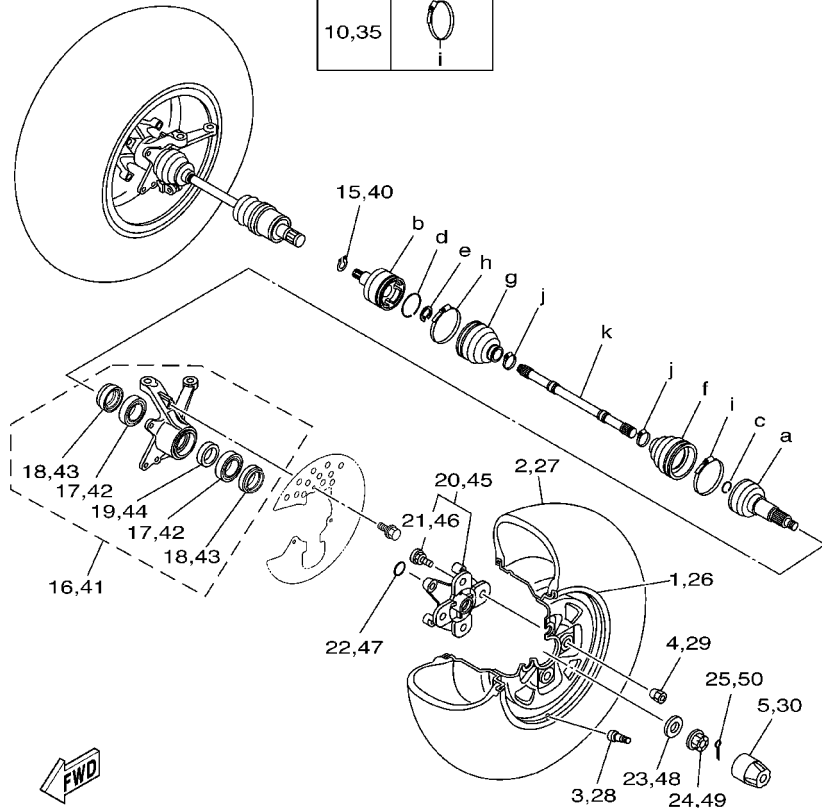
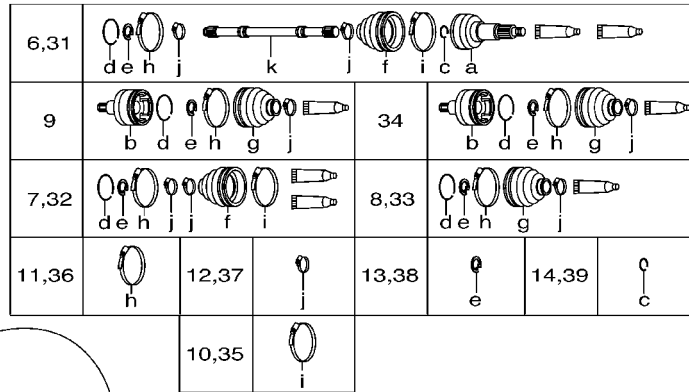
REF. NO.	PART NO.	DESCRIPTION	CHE	GBR	AUS				REMARKS
1	5KM-24710-00	SINGLE SEAT ASSY	1	1					
	5KM-24710-10	SINGLE SEAT ASSY			1				
2	5KM-24731-00	.COVER, SEAT	1	1					
	5KM-24731-10	.COVER, SEAT			1				
3	371-27114-00	.STOPPER, MAIN STAND	2	2	2				



5KM1100-2320



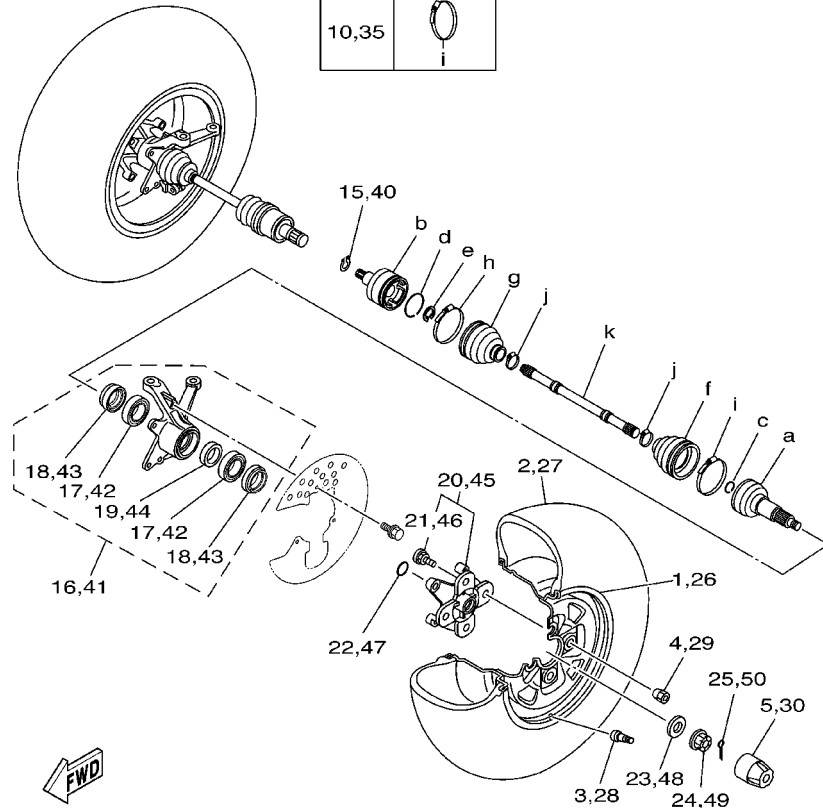
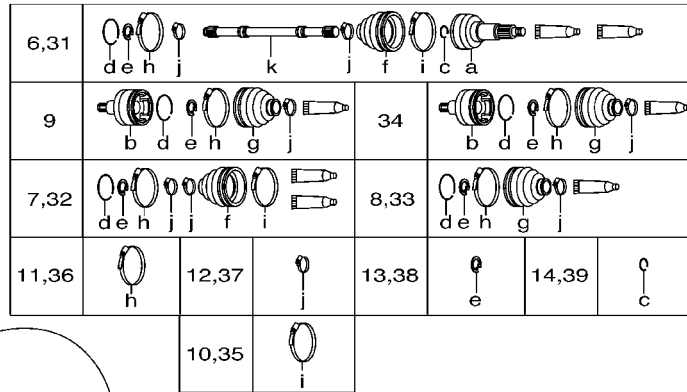
FIG. 33 FRONT WHEEL



5KM1100-2331

REF. NO.	PART NO.	DESCRIPTION	CHE	GBR	AUS	REMARKS
1	5KM-25180-00	WHEEL COMP.	1	1	1	
2	94108-12008	TIRE(AT25X8-12,CHENG SHIN C828)			1	
	94108-12009	TIRE (AT 25X8-12, KT131-T/L)	1	1		DUNLOP
3	93900-00030	VALVE, RIM	1	1	1	
4	90179-10007	NUT	4	4	4	
5	5GT-2512A-00	CAP, WHEEL	1	1	1	
6	5KM-2510F-00	BALL JOINT SET	1	1	1	
7	5KM-2510G-00	BOOT SET (BALL JOINT)	1	1	1	
8	5KM-2510H-00	BOOT SET (DOUBLE OFFSET JOINT)	1	1	1	
9	5KM-2510J-00	DOUBLE OFF SET JOINT	1	1	1	
10	3HN-2511G-01	BOOT BAND (BALL JOINT)	1	1	1	
11	4KB-2511H-00	BOOT BAND (DOUBLE OFFSET JOINT)	1	1	1	
12	3HN-2512G-01	BOOT BAND (SMALL)	2	2	2	
13	2HR-2512J-00	SNAP RING	1	1	1	
14	4KB-2512H-00	CIRCLIP	1	1	1	
15	5KM-45531-00	CLIP, DRIVE SHAFT	1	1	1	
16	5KM-23501-00	STEERING KNUCKLE ASSY (LEFT)	1	1	1	
17	93306-00615	.BEARING	2	2	2	
18	93106-38047	.OIL SEAL	2	2	2	
19	90560-30325	.SPACER	1	1	1	
20	5KM-25111-00	HUB, FRONT	1	1	1	
21	90114-10010	.BOLT, SERRATION	4	4	4	
22	93210-27666	O-RING	1	1	1	
23	90201-162L6	WASHER, PLATE	1	1	1	
24	90171-16001	NUT, CASTLE	1	1	1	
25	91490-30030	PIN, COTTER	1	1	1	
26	5KM-25180-00	WHEEL COMP.	1	1	1	

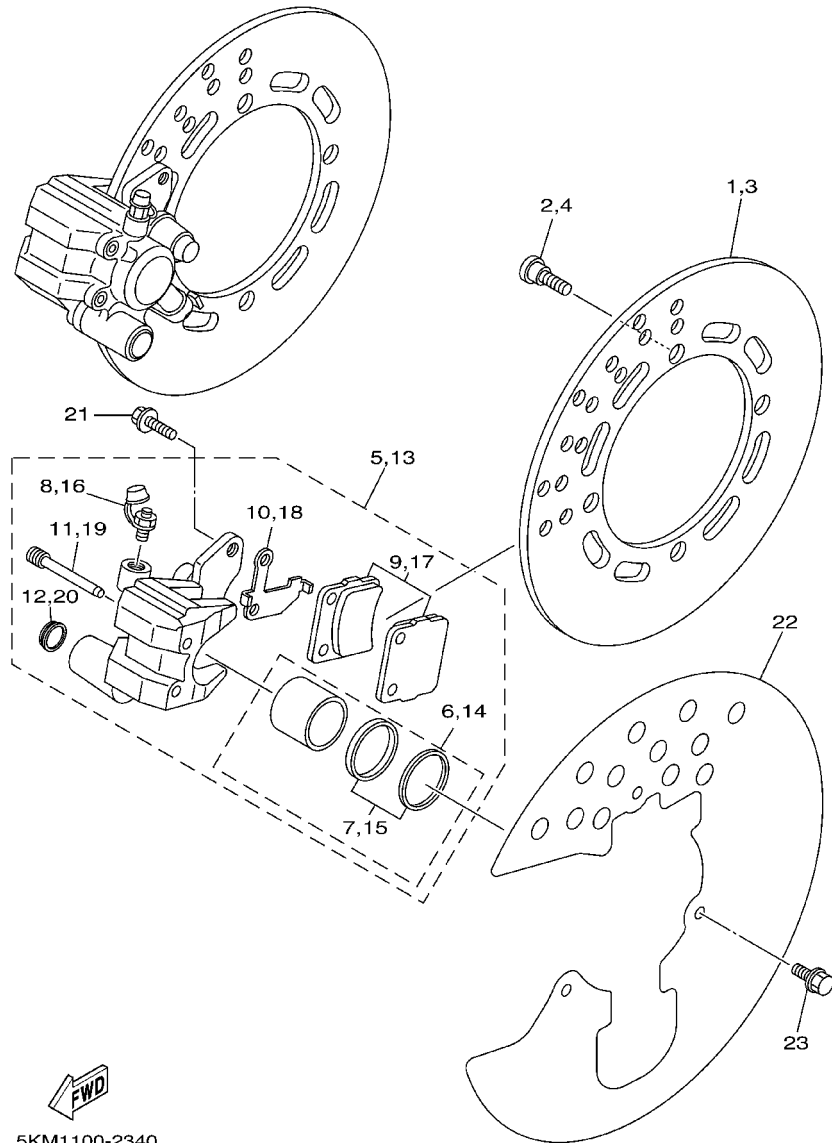
**FIG. 33 FRONT WHEEL**



5KM1100-2331

REF. NO.	PART NO.	DESCRIPTION	CHE	GBR	AUS	REMARKS
27	94108-12008	TIRE(AT25X8-12,CHENG SHIN C828)			1	
	94108-12009	TIRE (AT 25X8-12, KT131-T/L)	1	1		DUNLOP
28	93900-00030	VALVE, RIM	1	1	1	
29	90179-10007	NUT	4	4	4	
30	5GT-2512A-00	CAP, WHEEL	1	1	1	
31	5KM-2510F-00	BALL JOINT SET	1	1	1	
32	5KM-2510G-00	BOOT SET (BALL JOINT)	1	1	1	
33	5KM-2510H-00	BOOT SET (DOUBLE OFFSET JOINT)	1	1	1	
34	5KM-2510J-10	DOUBLE OFF SET JOINT	1	1	1	
35	3HN-2511G-01	BOOT BAND (BALL JOINT)	1	1	1	
36	4KB-2511H-00	BOOT BAND (DOUBLE OFFSET JOINT)	1	1	1	
37	3HN-2512G-01	BOOT BAND (SMALL)	2	2	2	
38	2HR-2512J-00	SNAP RING	1	1	1	
39	4KB-2512H-00	CIRCLIP	1	1	1	
40	93450-22119	CIRCLIP	1	1	1	
41	5KM-23502-00	STEERING KNUCKLE ASSY (RIGHT)	1	1	1	
42	93306-00615	.BEARING	2	2	2	
43	93106-38047	.OIL SEAL	2	2	2	
44	90560-30325	.SPACER	1	1	1	
45	5KM-25111-00	HUB, FRONT	1	1	1	
46	90114-10010	.BOLT, SERRATION	4	4	4	
47	93210-27666	O-RING	1	1	1	
48	90201-162L6	WASHER, PLATE	1	1	1	
49	90171-16001	NUT, CASTLE	1	1	1	
50	91490-30030	PIN, COTTER	1	1	1	

**FIG. 34 FRONT BRAKE CALIPER**



REF. NO.	PART NO.	DESCRIPTION	CHE	GBR	AUS	REMARKS
1	5KM-2582T-00	DISC, BRAKE	1	1	1	
2	90109-08021	BOLT	4	4	4	
3	5KM-2582T-00	DISC, BRAKE	1	1	1	
4	90109-08021	BOLT	4	4	4	
5	4WV-2580T-00	CALIPER ASSY (LEFT)	1	1	1	
6	3GD-W0057-00	.PISTON ASSY, CALIPER	1	1	1	
7	3GD-W0047-00	..CALIPER SEAL KIT	1	1	1	
8	1UY-W0048-50	.BLEED SCREW KIT	1	1	1	
9	4WV-W0045-00	.BRAKE PAD KIT	1	1	1	
10	3GD-25827-00	.SHIM, CALIPER	1	1	1	
11	3GD-25933-00	.PIN, PAD	2	2	2	
12	3GD-25916-00	.PLUG	1	1	1	
13	4WV-2580U-00	CALIPER ASSY (RIGHT)	1	1	1	
14	3GD-W0057-00	.PISTON ASSY, CALIPER	1	1	1	
15	3GD-W0047-00	..CALIPER SEAL KIT	1	1	1	
16	1UY-W0048-50	.BLEED SCREW KIT	1	1	1	
17	4WV-W0045-00	.BRAKE PAD KIT	1	1	1	
18	3GD-25828-00	.SHIM, CALIPER	1	1	1	
19	3GD-25933-00	.PIN, PAD	2	2	2	
20	3GD-25916-00	.PLUG	1	1	1	
21	90105-08538	BOLT, FLANGE	4	4	4	
22	5KM-2514A-00	RING, WHEEL 1 (LEFT)	2	2	2	
23	90150-06021	SCREW, ROUND HEAD	6	6	6	

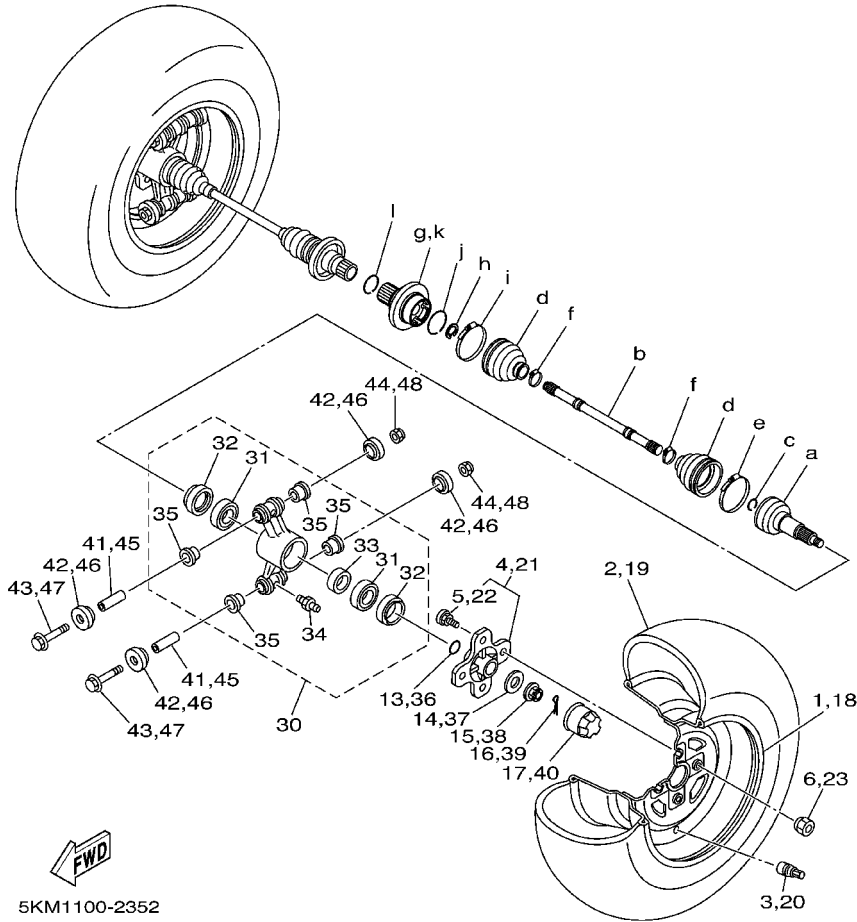
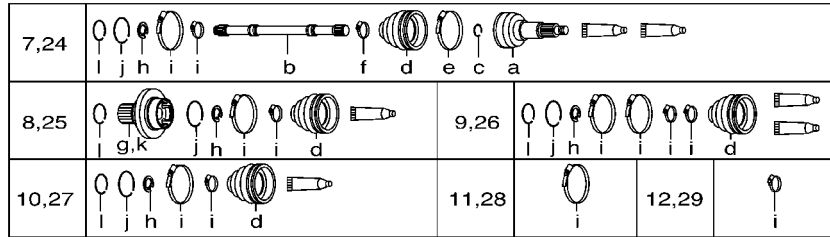


FIG. 35 REAR WHEEL

REF. NO.	PART NO.	DESCRIPTION	CHE	GBR	AUS	REMARKS
1	5KM-25390-00	REAR WHEEL COMP.	1	1	1	
2	94110-12008	TIRE(CHENGSHIN AT25X10-12,C828)			1	
	94110-12009	TIRE (AT 25X10-12, KT135 T/L)	1	1		DUNLOP
3	93900-00030	VALVE, RIM	1	1	1	
4	5KM-25311-00	HUB, REAR	1	1	1	
5	90114-10010	.BOLT, SERRATION	4	4	4	
6	90179-10007	NUT	4	4	4	
7	5KM-2530T-00	BALL JOINT SET	1	1	1	
8	5KM-2530V-00	DOUBLE OFF SET JOINT	1	1	1	
9	5KM-2530X-00	BOOT SET (BALL JOINT)	1	1	1	
10	5KM-2530Y-00	BOOT SET (DOUBLE OFFSET JOINT)	1	1	1	
11	4WV-2511G-00	BOOT BAND (BALL JOINT)	1	1	1	
12	4WV-2512G-00	BOOT BAND (SMALL)	1	1	1	
13	93210-27666	O-RING	1	1	1	
14	90201-162L6	WASHER, PLATE	1	1	1	
15	90171-16001	NUT, CASTLE	1	1	1	
16	91490-30030	PIN, COTTER	1	1	1	
17	5GT-2512A-00	CAP, WHEEL	1	1	1	
18	5KM-25390-00	REAR WHEEL COMP.	1	1	1	
19	94110-12008	TIRE(CHENGSHIN AT25X10-12,C828)			1	
	94110-12009	TIRE (AT 25X10-12, KT135 T/L)	1	1		DUNLOP
20	93900-00030	VALVE, RIM	1	1	1	
21	5KM-25311-00	HUB, REAR	1	1	1	
22	90114-10010	.BOLT, SERRATION	4	4	4	
23	90179-10007	NUT	4	4	4	
24	5KM-2530U-00	BALL JOINT SET	1	1	1	
25	5KM-2530W-00	DOUBLE OFF SET JOINT	1	1	1	

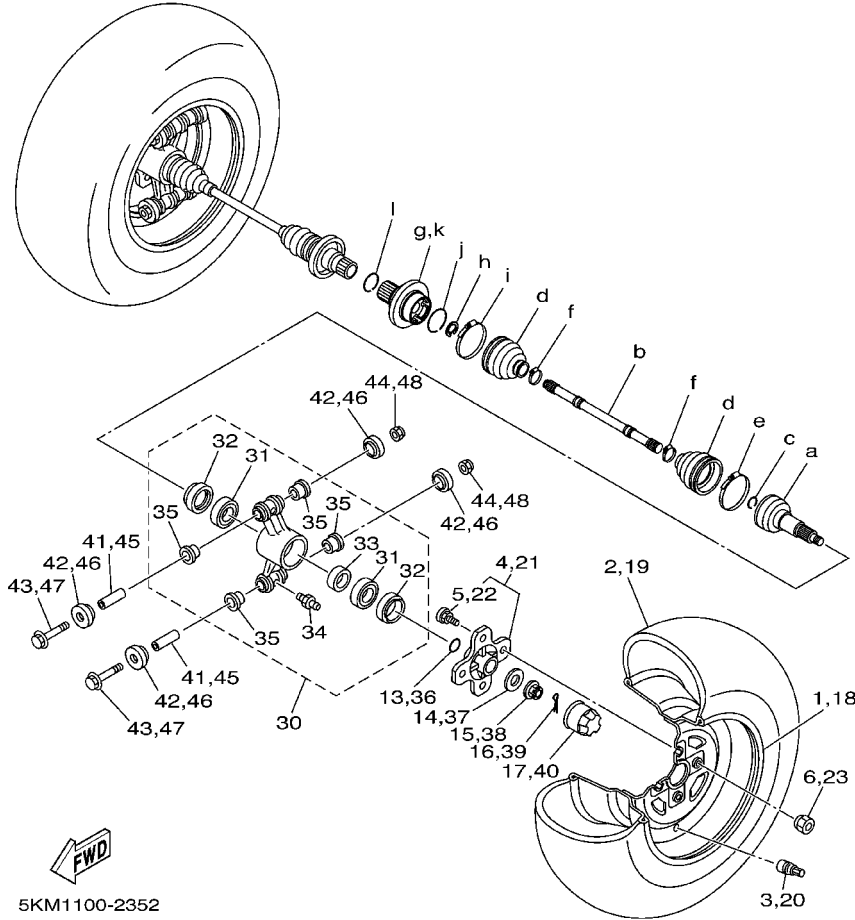
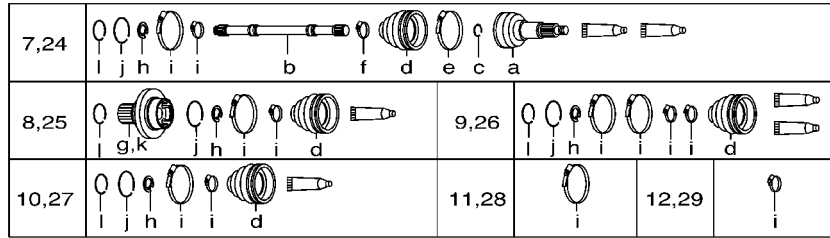
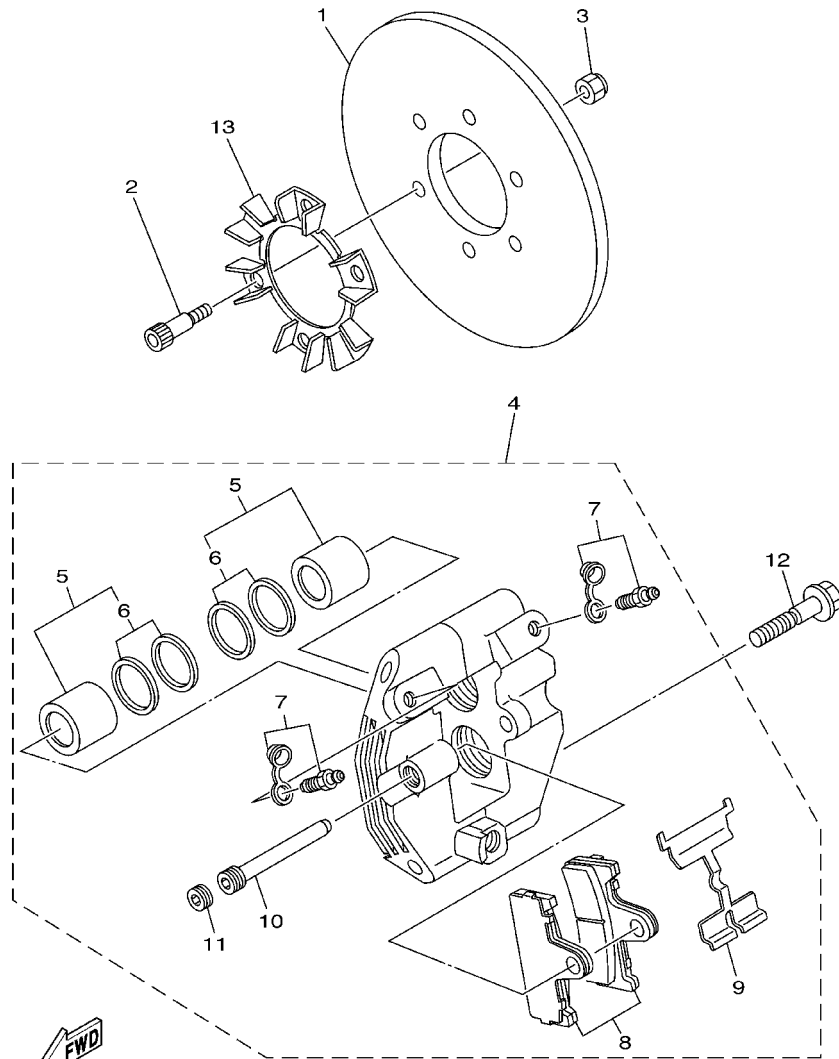


FIG. 35 REAR WHEEL

REF. NO.	PART NO.	DESCRIPTION	CHE	GBR	AUS	REMARKS
26	5KM-2530X-00	BOOT SET (BALL JOINT)	1	1	1	
27	5KM-2530Y-00	BOOT SET (DOUBLE OFFSET JOINT)	1	1	1	
28	4WV-2511G-00	BOOT BAND (BALL JOINT)	1	1	1	
29	4WV-2512G-00	BOOT BAND (SMALL)	1	1	1	
30	5KM-2530F-00	REAR KNUCKLE ASSY	2	2	2	
31	93306-00615	.BEARING	2	2	2	
32	93106-38047	.OIL SEAL	2	2	2	
33	5KM-25377-00	.COLLAR, WHEEL	1	1	1	
34	93700-06004	.NIPPLE, GREASE	2	2	2	
35	90381-17067	.BUSH, SOLID	4	4	4	
36	93210-27666	O-RING	1	1	1	
37	90201-162L6	WASHER, PLATE	1	1	1	
38	90171-16001	NUT, CASTLE	1	1	1	
39	91490-30030	PIN, COTTER	1	1	1	
40	5GT-2512A-00	CAP, WHEEL	1	1	1	
41	5KM-23448-00	SPACER	2	2	2	
42	2NL-23517-00	COVER, THRUST 1	4	4	4	
43	90105-10480	BOLT, FLANGE	2	2	2	
44	90185-10060	NUT, SELF-LOCKING	2	2	2	
45	5KM-23448-00	SPACER	2	2	2	
46	2NL-23517-00	COVER, THRUST 1	4	4	4	
47	90105-10480	BOLT, FLANGE	2	2	2	
48	90185-10060	NUT, SELF-LOCKING	2	2	2	

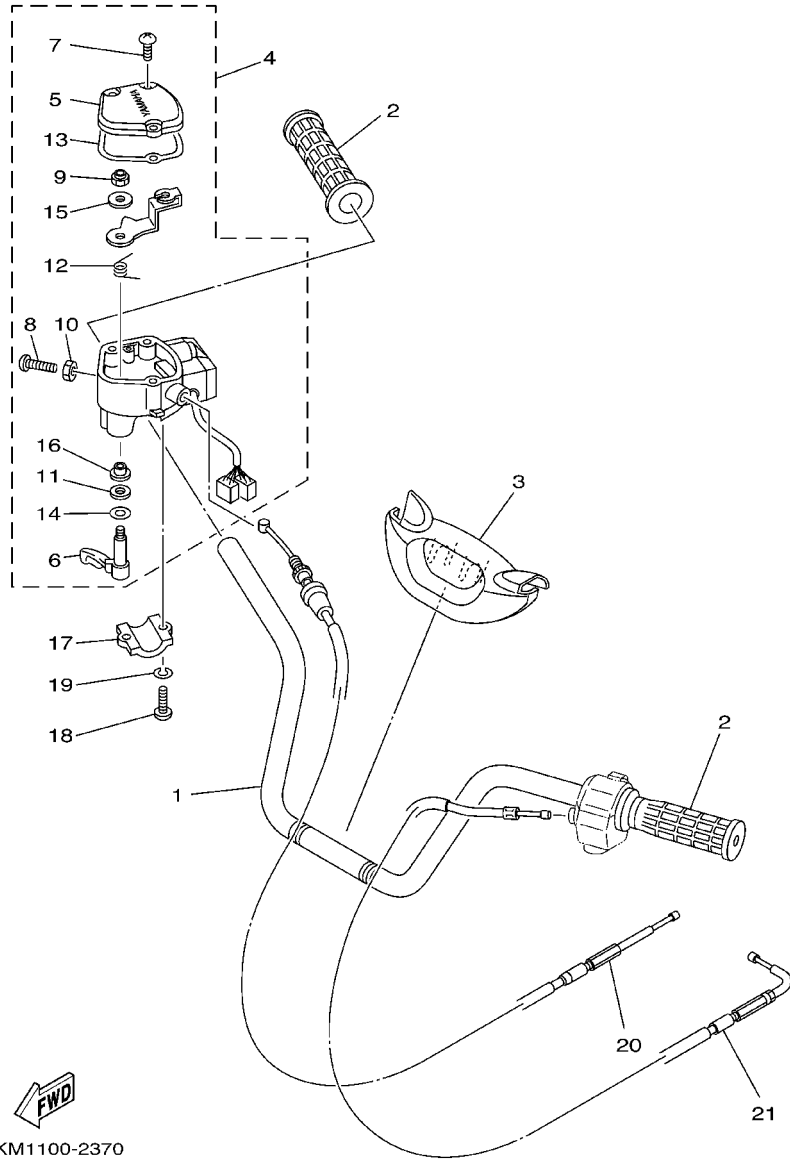
**FIG. 36 REAR BRAKE CALIPER**



5KM1100-2360

REF. NO.	PART NO.	DESCRIPTION	CHE	GBR	AUS	REMARKS
1	5KM-2582V-00	DISC, REAR BRAKE 1	1	1	1	
2	90109-06038	BOLT	6	6	6	
3	95617-06100	NUT, U	6	6	6	
4	5KM-2580V-00	CALIPER ASSY, REAR 1	1	1	1	
5	5KM-W0057-00	.PISTON ASSY, CALIPER	4	4	4	
6	5KM-W0047-00	..CALIPER SEAL KIT	1	1	1	
7	1UY-W0048-50	.BLEED SCREW KIT	2	2	2	
8	5KM-W0046-00	.BRAKE PAD KIT 2	1	1	1	
9	5KM-25919-00	.SUPPORT, PAD	1	1	1	
10	8CR-25924-00	.PIN, PAD	1	1	1	
11	8CR-25926-00	.BOLT	1	1	1	
12	90105-10634	BOLT, FLANGE	2	2	2	
13	5KM-2539F-00	PLATE 1	1	1	1	

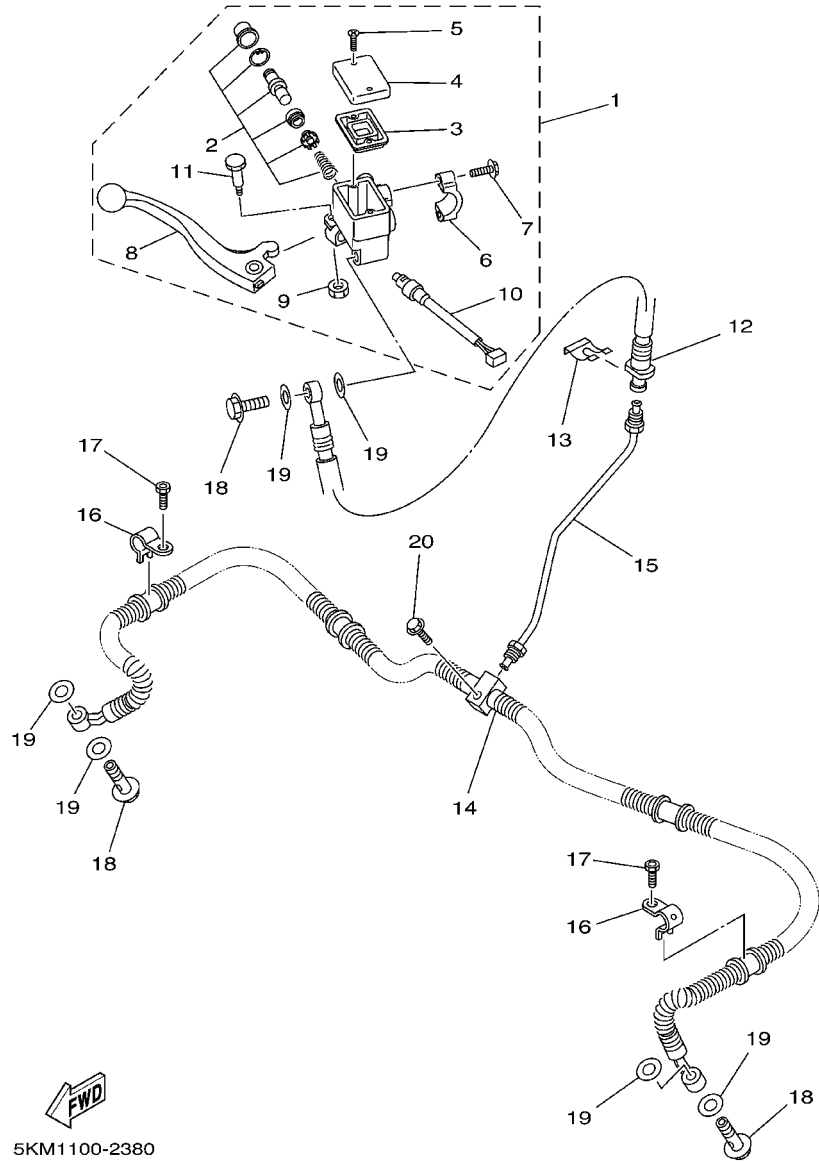
FIG. 37 STEERING HANDLE. CABLE



5KM1100-2370

REF. NO.	PART NO.	DESCRIPTION	CHE	GBR	AUS	REMARKS
1	5KM-26111-00	HANDLEBAR	1	1	1	
2	3GB-26241-00	GRIP	2	2	2	
3	5KM-26124-00	PROTECTOR, HANDLEBAR	1	1	1	
4	5KM-26250-00	THROTTLE LEVER ASSY	1	1	1	
5	4KB-2628F-10	.CAP, GEAR	1	1	1	
6	1NV-2625G-01	.LEVER, THROTTLE	1	1	1	
7	90149-04278	.SCREW	3	3	3	
8	98507-05020	.SCREW, PAN HEAD	1	1	1	
9	95607-05100	.NUT, U	1	1	1	
10	95307-05700	.NUT	1	1	1	
11	93104-09025	.OIL SEAL	1	1	1	
12	1NV-26304-00	.SPRING	1	1	1	
13	4KB-2628G-00	.GASKET	1	1	1	
14	1NV-26129-00	.WASHER	1	1	1	
15	1NV-26398-00	.WASHER	1	1	1	
16	1NV-2625K-00	.COLLAR	1	1	1	
17	4V4-82913-00	HOLDER, LEVER LOWER 1	1	1	1	
18	98507-05020	SCREW, PAN HEAD	2	2	2	
19	92907-05100	WASHER, SPRING	2	2	2	
20	5KM-26311-00	CABLE, THROTTLE 1	1	1	1	
21	5KM-26331-00	CABLE, STARTER 1	1	1	1	

**FIG. 38 FRONT MASTER CYLINDER**

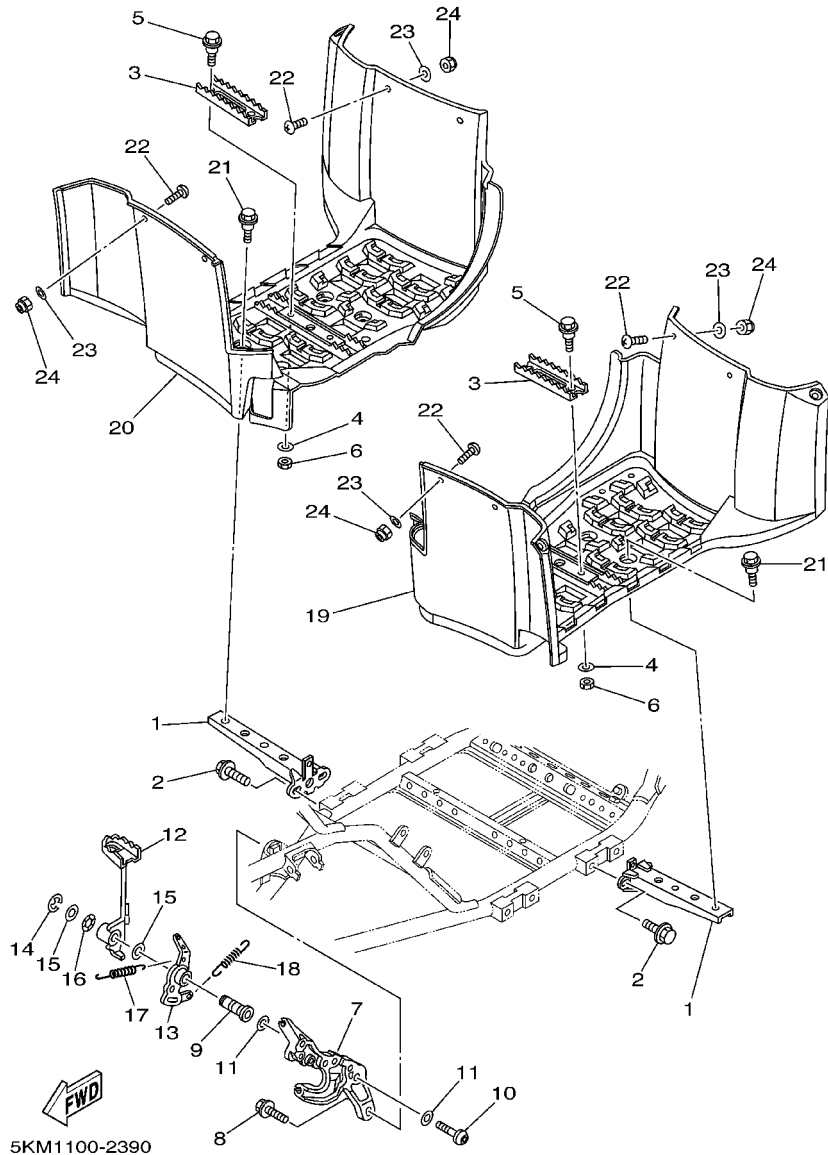


5KM1100-2380

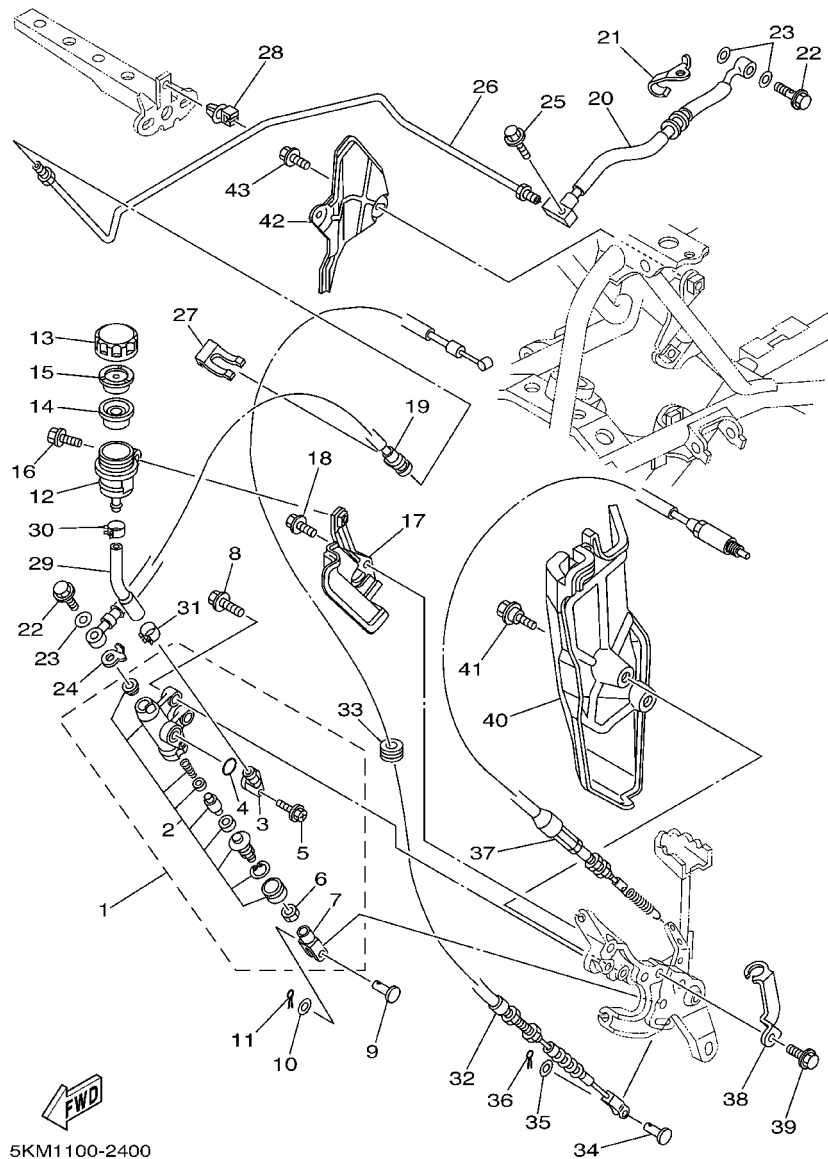
REF. NO.	PART NO.	DESCRIPTION	CHE	GBR	AUS	REMARKS
1	5KM-2583T-01	MASTER CYLINDER ASSY	1	1	1	
2	8CR-W0041-00	.CYLINDER KIT, MASTER	1	1	1	
3	4L0-25854-00	.DIAPHRAGM, RESERVOIR	1	1	1	
4	5JX-25852-01	.CAP, RESERVOIR	1	1	1	
5	98706-04012	.SCREW, FLAT HEAD	2	2	2	
6	5GH-25867-00	.BRACKET, MASTER CYLINDER	1	1	1	
7	5EB-26332-00	.BOLT	2	2	2	
8	5KM-83922-00	.LEVER 2	1	1	1	
9	95606-06100	.NUT, U	1	1	1	
10	5LP-83980-00	.FRONT STOP SWITCH ASSY	1	1	1	
11	1FK-2589F-00	.BOLT, LEVER	1	1	1	
12	5KM-25872-00	HOSE, BRAKE 1	1	1	1	
13	2GU-25866-00	CIRCLIP	1	1	1	
14	5KM-25873-00	HOSE, BRAKE 2	1	1	1	
15	5KM-25871-00	PIPE, BRAKE	1	1	1	
16	5KM-25875-00	HOLDER, BRAKE HOSE 1	2	2	2	
17	91317-06010	BOLT	2	2	2	
18	90401-10159	BOLT, UNION	3	3	3	
19	90201-10118	WASHER, PLATE	6	6	6	
20	95827-06025	BOLT, FLANGE	1	1	1	



FIG. 39 STAND. FOOTREST



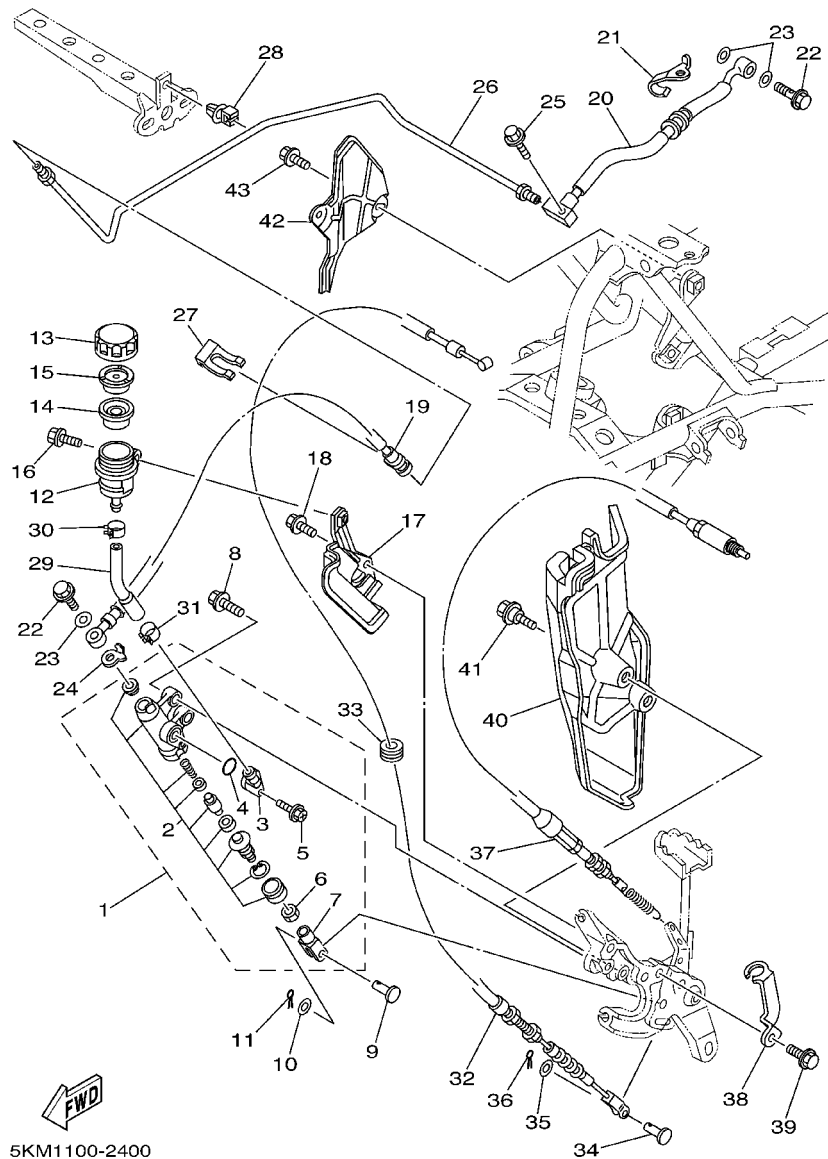
REF. NO.	PART NO.	DESCRIPTION	CHE	GBR	AUS	REMARKS
1	5KM-27481-00	BOARD, FOOTREST	4	4	4	
2	95817-08012	BOLT, FLANGE	8	8	8	
3	5GH-2741A-00	ARM 1	2	2	2	
4	90201-06071	WASHER, PLATE	4	4	4	
5	90109-063F5	BOLT	4	4	4	
6	95317-06600	NUT	4	4	4	
7	5KM-27263-00	BRACKET 1	1	1	1	
8	95817-08025	BOLT, FLANGE	2	2	2	
9	5KM-27212-00	SHAFT, BRAKE PEDAL	1	1	1	
10	90149-08296	SCREW	1	1	1	
11	90201-08784	WASHER, PLATE	2	2	2	
12	5KM-27211-00	PEDAL, BRAKE	1	1	1	
13	5KM-27252-00	LEVER, BRAKE PEDAL	1	1	1	
14	93430-10015	CIRCLIP	1	1	1	
15	90201-144J2	WASHER, PLATE	2	2	2	
16	90206-14086	WASHER, WAVE	1	1	1	
17	90506-16318	SPRING, TENSION	1	1	1	
18	90506-12441	SPRING, TENSION	1	1	1	
19	5KM-27453-00	COVER 1	1	1	1	
20	5KM-27463-00	COVER 2	1	1	1	
21	90109-063F1	BOLT	8	8	8	
22	90154-05005	SCREW, BINDING	12	12	12	
23	90201-05029	WASHER, PLATE	12	12	12	
24	95707-05300	NUT, FLANGE	12	12	12	



5KM1100-2400

FIG. 40 REAR MASTER CYLINDER

REF. NO.	PART NO.	DESCRIPTION	CHE	GBR	AUS	REMARKS
1	5KM-2583V-00	RR. MASTER CYLINDER ASSY.	1	1	1	
2	5KM-W0042-50	.CYLINDER KIT, MASTER	1	1	1	
3	31A-2582A-50	.JOINT	1	1	1	
4	93210-15620	.O-RING	1	1	1	
5	3GM-2589H-00	.SCREW	1	1	1	
6	4SS-27218-00	.NUT	2	2	2	
7	2YK-27222-00	.JOINT	1	1	1	
8	95817-08025	BOLT, FLANGE	2	2	2	
9	90240-08013	PIN, CLEVIS	1	1	1	
10	90201-08083	WASHER, PLATE	1	1	1	
11	91401-16012	PIN, COTTER	1	1	1	
12	5JJ-25894-00	TANK, RESERVOIR	1	1	1	
13	3XP-25852-50	CAP, RESERVOIR	1	1	1	
14	2VN-25854-00	DIAPHRAGM, RESERVOIR	1	1	1	
15	2VN-25855-00	BUSH, DIAPHRAGM	1	1	1	
16	95827-06012	BOLT, FLANGE	1	1	1	
17	5KM-2133G-00	BRACKET, RESERVER	1	1	1	
18	95827-06008	BOLT, FLANGE	1	1	1	
19	5KM-25874-00	HOSE, BRAKE	1	1	1	
20	5KM-2581J-00	HOSE, BRAKE 4	1	1	1	
21	5KM-25886-00	HOLDER, BRAKE HOSE	1	1	1	
22	90401-10159	BOLT, UNION	2	2	2	
23	90201-10118	WASHER, PLATE	3	3	3	
24	5GH-25844-00	WASHER, LOCK	1	1	1	
25	95827-06025	BOLT, FLANGE	1	1	1	
26	5KM-25882-00	PIPE, BRAKE 2	1	1	1	
27	2GU-25866-00	CIRCLIP	1	1	1	



5KM1100-2400

FIG. 40 REAR MASTER CYLINDER

REF. NO.	PART NO.	DESCRIPTION	CHE	GBR	AUS	REMARKS
28	5KM-81677-00	CLAMP 1	3	3	3	
29	5LP-25895-00	HOSE, RESERVOIR	1	1	1	
30	90467-11044	CLIP	1	1	1	
31	90467-14057	CLIP	1	1	1	
32	5KM-26341-00	CABLE, BRAKE	1	1	1	
33	90480-18418	GROMMET	1	1	1	
34	90240-06076	PIN, CLEVIS	1	1	1	
35	90201-06042	WASHER, PLATE	1	1	1	
36	91401-20012	PIN, COTTER	1	1	1	
37	5KM-2637F-00	CABLE, CONTROL 2	1	1	1	
38	5KM-21441-00	BRACKET, STOP SWITCH	1	1	1	
39	95827-06008	BOLT, FLANGE	1	1	1	
40	5KM-27491-00	PROTECTOR	1	1	1	
41	90109-063F1	BOLT	2	2	2	
42	5KM-2117G-10	PROTECTOR	1	1	1	
43	95827-06008	BOLT, FLANGE	2	2	2	

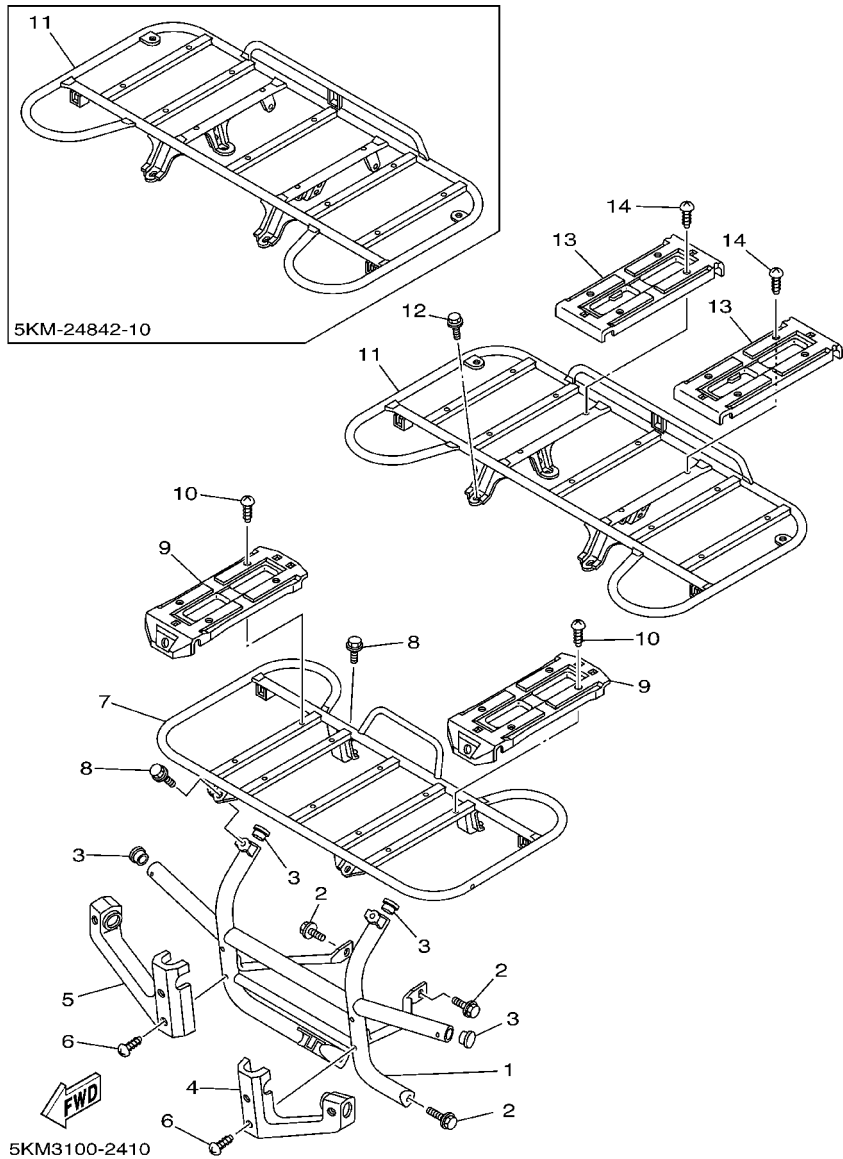
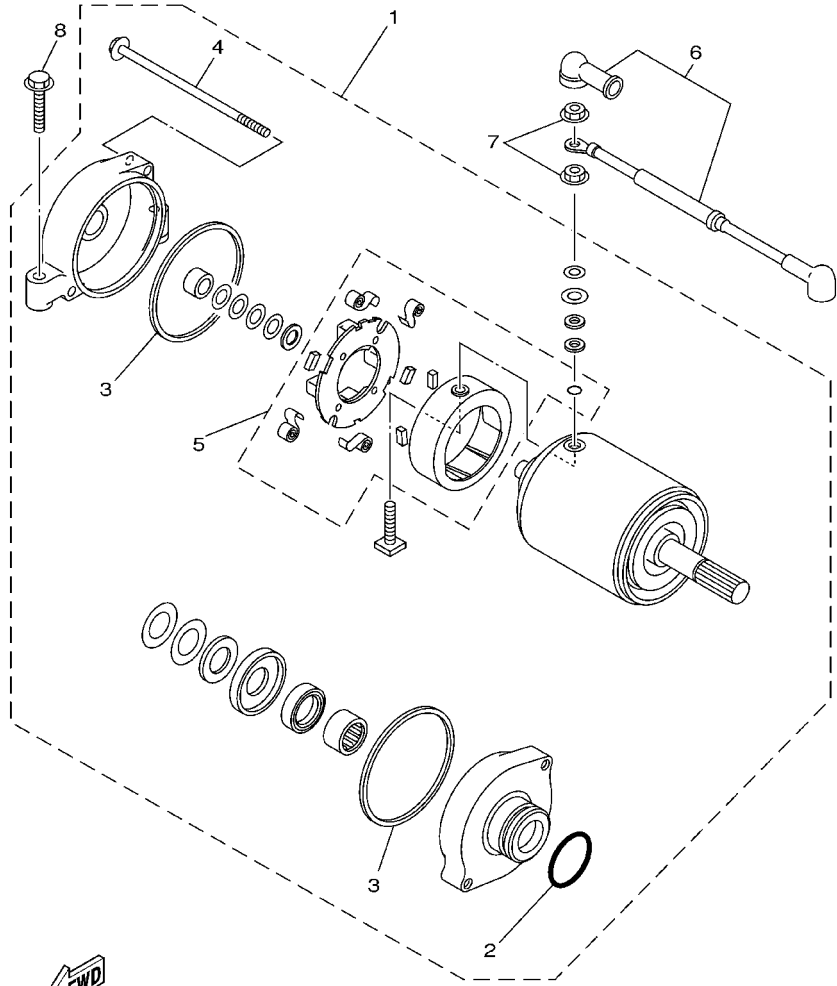


FIG. 41 GUARD

REF. NO.	PART NO.	DESCRIPTION	CHE	GBR	AUS	REMARKS
1	5KM-2845N-00	BAR, CARRY FRONT	1	1	1	
2	95817-08012	BOLT, FLANGE	4	4	4	
3	5KM-2482H-00	CAP	4	4	4	
4	5KM-2842M-00	COVER 1	1	1	1	
5	5KM-2842N-00	COVER 2	1	1	1	
6	90167-05025	SCREW, TAPPING	6	6	6	
7	5KM-24841-00	CARRIER, FRONT	1	1	1	
8	95817-08012	BOLT, FLANGE	4	4	4	
9	5KM-24845-00	COVER 1	2	2	2	
10	90167-05025	SCREW, TAPPING	8	8	8	
11	5KM-24842-00	CARRIER, REAR			1	
	5KM-24842-10	CARRIER, REAR	1	1		
12	95817-08014	BOLT, FLANGE	4	4	4	
13	5KM-24846-00	COVER 2	2	2	2	
14	90167-05025	SCREW, TAPPING	8	8	8	



**FIG. 43 STARTING MOTOR**

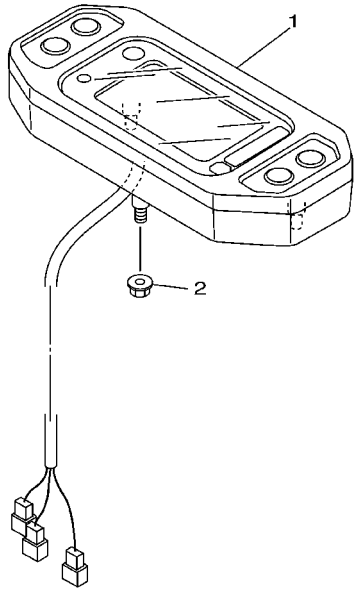


REF. NO.	PART NO.	DESCRIPTION	CHE	GBR	AUS	REMARKS
1	5KM-81890-00	MOTOR ASSY	1	1	1	
2	1FK-81847-00	.O-RING	1	1	1	
3	11H-81844-00	.GASKET	2	2	2	
4	3AJ-81826-00	.BOLT	2	2	2	
5	3AJ-81801-00	.BRUSH SET	1	1	1	
6	5KM-81815-00	CORD, STARTER MOTOR	1	1	1	
7	4XV-8182A-00	NUT	2	2	2	
8	95027-06030	BOLT, FLANGE	2	2	2	

  
5GH1110-0430

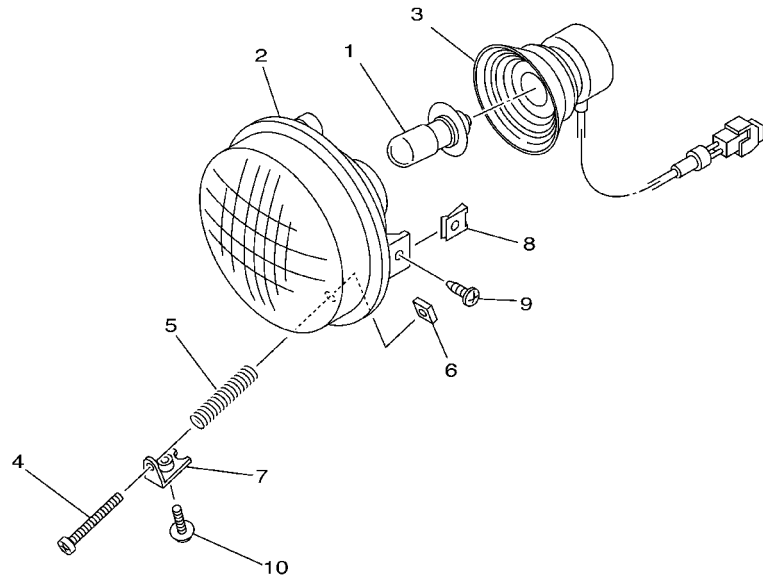
**FIG. 44 METER**

REF. NO.	PART NO.	DESCRIPTION	CHE	GBR	AUS			REMARKS
1	5KM-83500-00	SPEEDOMETER ASSY		1				
	5KM-83500-10	SPEEDOMETER ASSY	1		1			
2	95707-05500	NUT, FLANGE	3	3	3			
-----								
-----								
-----								
-----								
-----								
-----								
-----								
-----								
-----								



5KM1100-2440

**FIG. 45 HEADLIGHT**



REF. NO.	PART NO.	DESCRIPTION	CHE	GBR	AUS	REMARKS
1	4KB-84314-00	BULB (12V30/30W)	2	2	2	
2	5KM-84320-00	LENS ASSY	2	2	2	
3	5EH-84340-00	SOCKET CORD ASSY 1	2	2	2	
4	98507-03540	SCREW, PAN HEAD	2	2	2	
5	2GU-84332-00	SPRING, SCREW	2	2	2	
6	2GU-84334-00	NUT, ADJUSTING	2	2	2	
7	5KM-84703-00	BRACKET	2	2	2	
8	90183-05008	NUT, SPRING	4	4	4	
9	90154-05004	SCREW, BINDING	4	4	4	
10	90159-05022	SCREW, WITH WASHER	2	2	2	

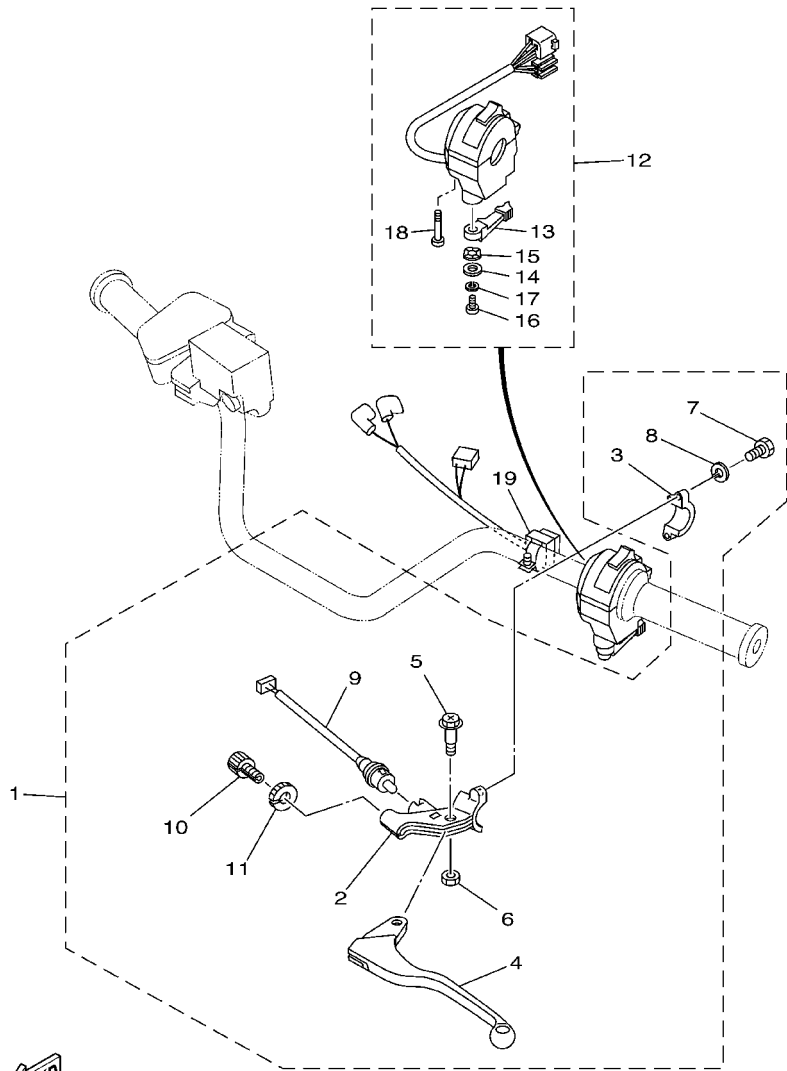


5KM1100-2450





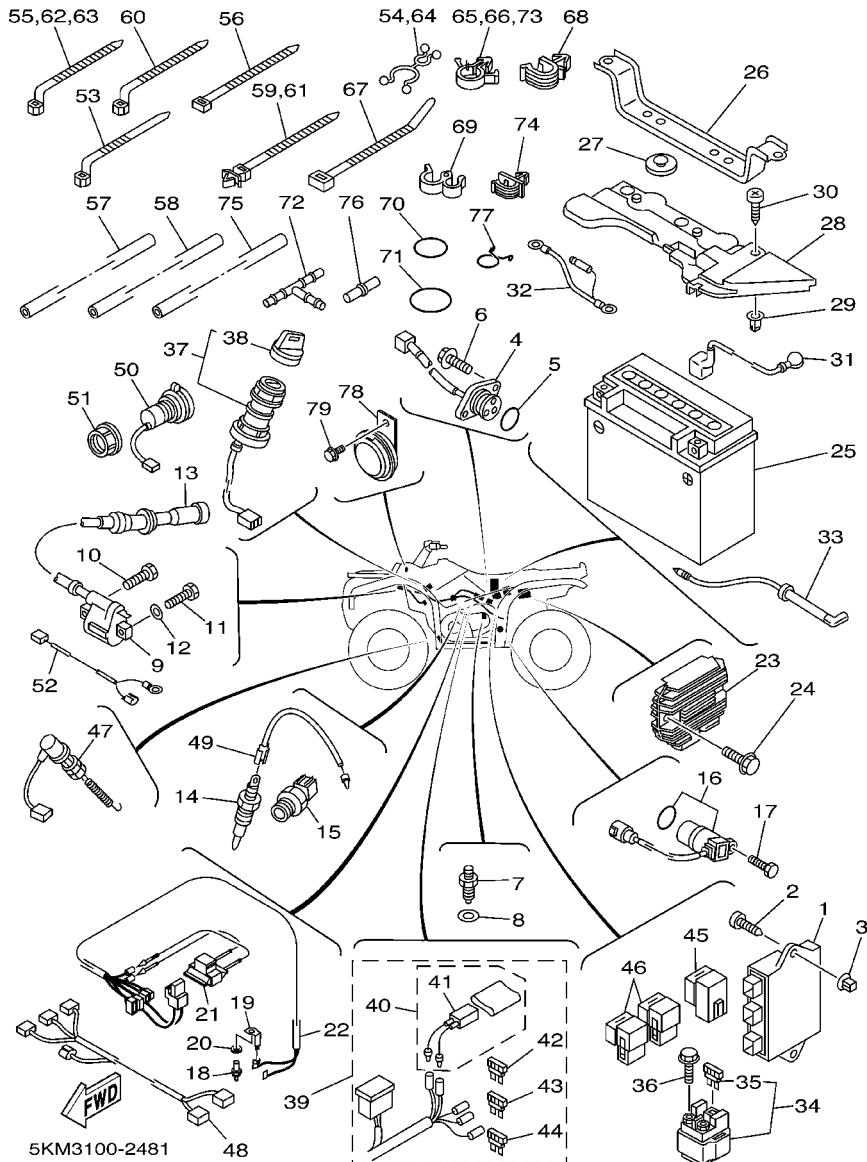
FIG. 47 HANDLE SWITCH. LEVER



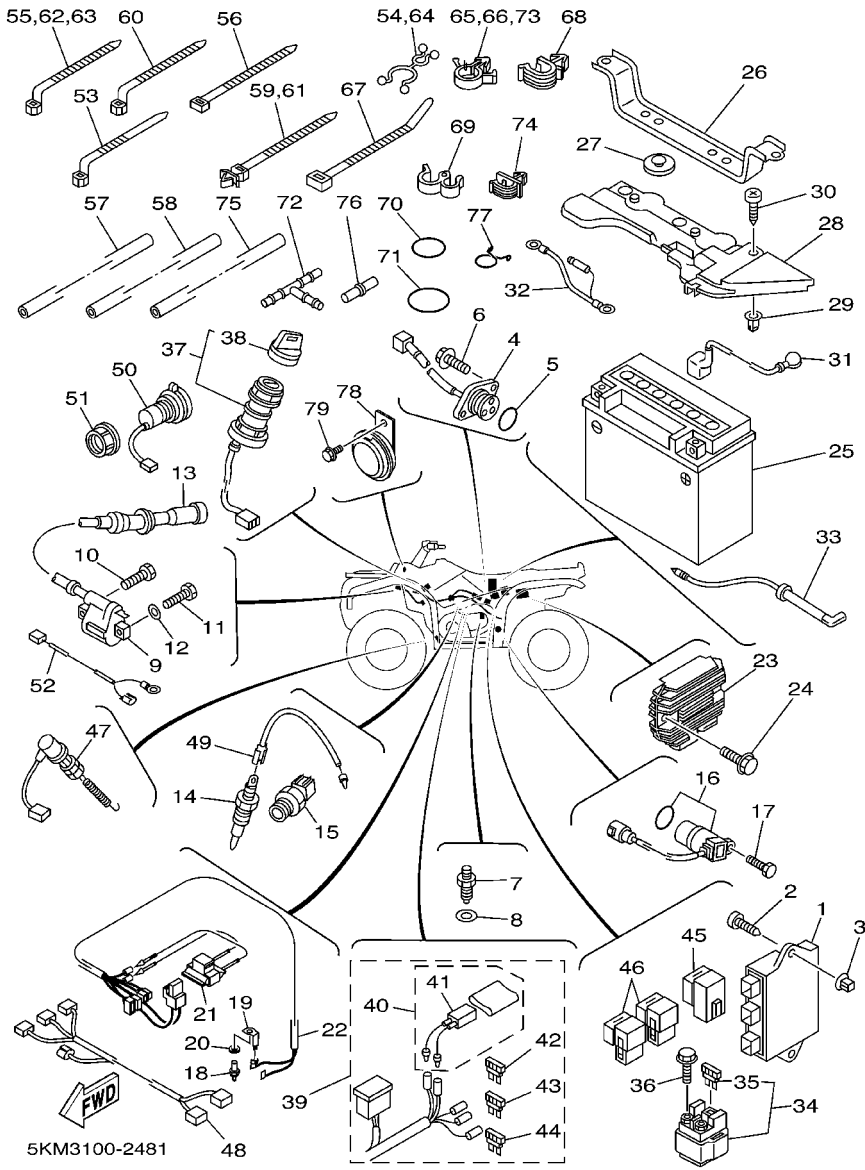
5KM3100-2470

REF. NO.	PART NO.	DESCRIPTION	CHE	GBR	AUS	REMARKS
1	5KM-82910-00	LEVER HOLDER ASSY (LEFT)	1	1	1	
2	1YW-82911-01	.HOLDER, LEVER 1	1	1	1	
3	2XJ-82913-00	.HOLDER, LEVER LOWER 1	1	1	1	
4	23X-83912-00	.LEVER 1	1	1	1	
5	90109-06799	.BOLT	1	1	1	
6	95607-06100	.NUT, U	1	1	1	
7	98507-06020	SCREW, PAN HEAD	2	2	2	
8	92907-06100	WASHER, SPRING	2	2	2	
9	5KM-82917-00	.SWITCH	1	1	1	
10	90123-08046	.BOLT	1	1	1	
11	90179-08148	.NUT	1	1	1	
12	5LP-83973-01	SWITCH, HANDLE 3	1	1	1	
13	5GH-83941-00	.LEVER, STARTER	1	1	1	
14	1UY-83909-00	.WASHER, SPECIAL	1	1	1	
15	3L4-83943-00	.WASHER, STARTER	1	1	1	
16	98517-05012	.SCREW, PAN HEAD	1	1	1	
17	92907-05100	.WASHER, SPRING	1	1	1	
18	98507-05030	.SCREW, PAN HEAD	2	2	2	
19	4GB-83976-00	SWITCH, HANDLE 1	1	1	1	

FIG. 48 ELECTRICAL 1



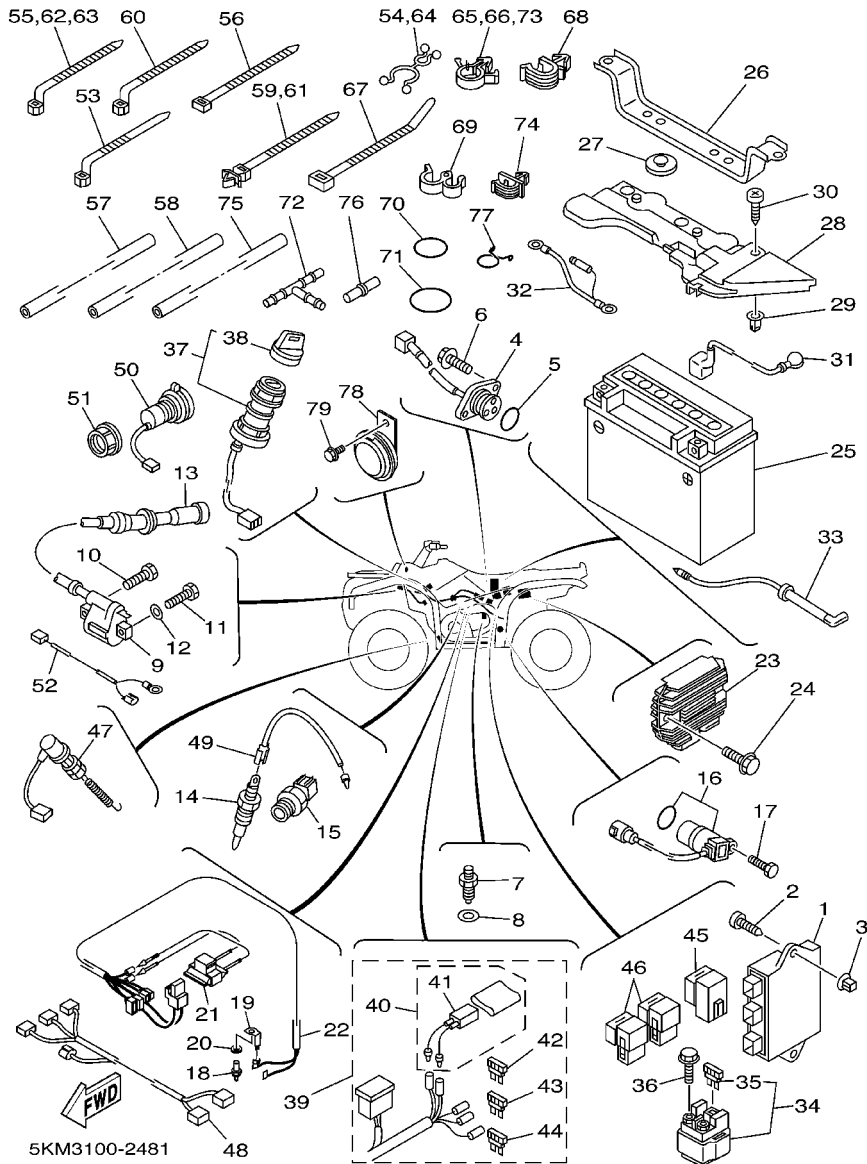
REF. NO.	PART NO.	DESCRIPTION	CHE	GBR	AUS	REMARKS
1	5KM-85540-00	C.D.I. UNIT ASSY	1	1	1	
2	97707-60025	SCREW, TAPPING	1	1	1	
3	90338-08226	PLUG	1	1	1	
4	5KM-82540-00	NEUTRAL SWITCH ASSY	1	1	1	
5	93210-29196	O-RING	1	1	1	
6	90119-06044	BOLT, WITH WASHER	2	2	2	
7	5LP-82540-00	NEUTRAL SWITCH ASSY	1	1	1	
8	90430-10148	GASKET	1	1	1	
9	3KJ-82310-10	IGNITION COIL ASSY	1	1	1	
10	90109-06723	BOLT	1	1	1	
11	97007-06020	BOLT	1	1	1	
12	92907-06600	WASHER, PLATE	1	1	1	
13	3YF-82370-00	PLUG CAP ASSY	1	1	1	
14	5KM-82560-00	THERMO SWITCH ASSY	1	1	1	
15	5GM-82560-00	THERMO SWITCH ASSY	1	1	1	
16	5LV-83755-00	SENSOR, SPEED	1	1	1	
17	91317-06016	BOLT	1	1	1	
18	4TR-83790-00	HEATER ASSY (15W)	1	1	1	AP
19	5FU-82103-00	TERMINAL 1	1	1	1	AP
20	90201-08016	WASHER, PLATE	1	1	1	AP
21	1AJ-82560-01	THERMO SWITCH ASSY	1	1	1	AP
22	5HA-82509-00	WIRE, SUB LEAD	1	1	1	
23	5BN-81960-00	RECTIFIER & REGULATOR ASSY	1	1	1	
24	95807-06020	BOLT, FLANGE	1	1	1	
25	4SH-82100-21	BATTERY ASSY (YTX20L-BS)	1	1	1	
26	5KM-82128-00	BRACKET, BATTERY	1	1	1	
27	371-82121-00	PAD, BATTERY	2	2	2	



**FIG. 48 ELECTRICAL 1**

REF. NO.	PART NO.	DESCRIPTION	CHE	GBR	AUS	REMARKS
28	5KM-82129-00	COVER, BATTERY	1	1	1	
29	90338-08226	PLUG	1	1	1	
30	97707-60016	SCREW, TAPPING	1	1	1	
31	5KM-82115-00	WIRE, PLUS LEAD	1	1	1	
32	5KM-82116-00	WIRE, MINUS LEAD	1	1	1	
33	5KM-82541-00	WIRE, LEAD	1	1	1	
34	4SV-81940-00	STARTER RELAY ASSY	1	1	1	
35	1AE-82151-00	.FUSE (30A-BL)	2	2	2	
36	95027-06008	BOLT, FLANGE	2	2	2	
37	5KM-82510-00	MAIN SWITCH ASSY	1	1	1	
38	3HN-82579-00	.CAP, KEY	1	1	1	
39	5KM-82590-10	WIRE HARNESS ASSY	1	1	1	
40	5GT-82180-00	.CIRCUIT BREAKER ASSY	1	1	1	
41	5GT-82560-00	..THERMO SWITCH ASSY	1	1	1	
42	5JJ-82151-10	.FUSE (15A-BL)	2	2	2	
43	5JJ-82151-30	.FUSE (10A-BL)	5	5	5	
44	5JJ-82151-50	.FUSE (3A-BL)	2	2	2	
45	29U-81950-93	RELAY ASSY	1	1	1	
46	5DM-81950-00	RELAY ASSY	2	2	2	
47	5KM-82530-00	STOP SWITCH ASSY	1	1	1	
48	5KM-82309-00	WIRE, SUB LEAD	1	1	1	
49	5KM-82507-00	WIRE, LEAD	1	1	1	
50	5GH-8254B-00	TERMINAL COMP.	1	1	1	
51	5GH-82114-00	NUT	1	1	1	
52	5KM-82509-00	WIRE, SUB LEAD	1	1	1	
53	90464-12045	CLAMP	2	2	2	
54	90464-35047	CLAMP	1	1	1	

FIG. 48 ELECTRICAL 1



REF. NO.	PART NO.	DESCRIPTION	CHE	GBR	AUS	REMARKS
55	90464-15195	CLAMP	1	1	1	
56	437-83936-01	BAND, SWITCH CORD	4	4	4	
57	90445-07371	HOSE (L700)	1	1	1	
58	90445-07176	HOSE (L200)	1	1	1	
59	90464-12089	CLAMP	1	1	1	
60	90460-15126	CLAMP, HOSE	1	1	1	
61	90464-12089	CLAMP	2	2	2	
62	90464-15195	CLAMP	1	1	1	
63	90464-15195	CLAMP	1	1	1	
64	90464-35047	CLAMP	1	1	1	
65	90464-15157	CLAMP	1	1	1	
66	90464-15157	CLAMP	1	1	1	
67	90465-10098	CLAMP	1	1	1	
68	90464-14M55	CLAMP	1	1	1	
69	90468-15139	CLIP	1	1	1	
70	93210-57428	O-RING	1	1	1	
71	93210-975A9	O-RING	1	1	1	
72	90413-05014	WAY 3	1	1	1	
73	90464-15157	CLAMP	1	1	1	
74	90464-07001	CLAMP	1	1	1	
75	90446-09155	HOSE	1	1	1	
76	5KM-82109-00	JOINT, HOSE	2	2	2	
77	90467-08021	CLIP	1	1	1	
78	4WV-83371-00	HORN	1	1	1	
79	95817-06012	BOLT, FLANGE	1	1	1	



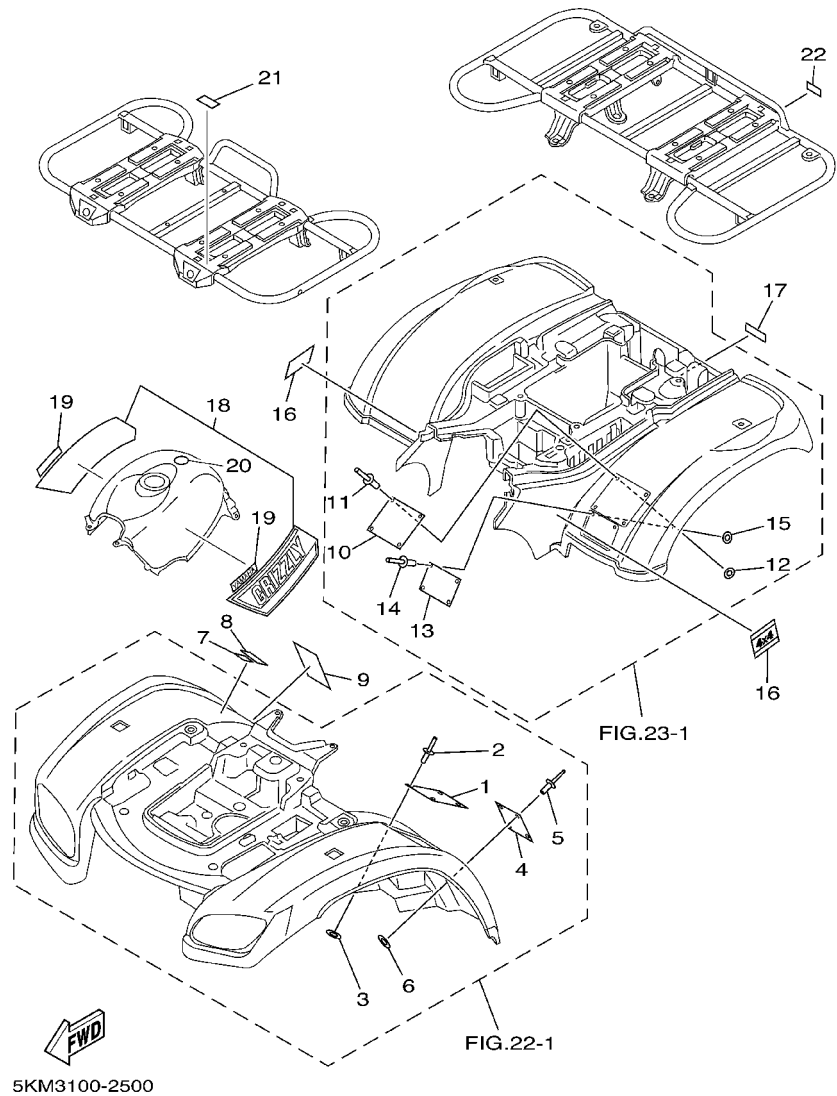
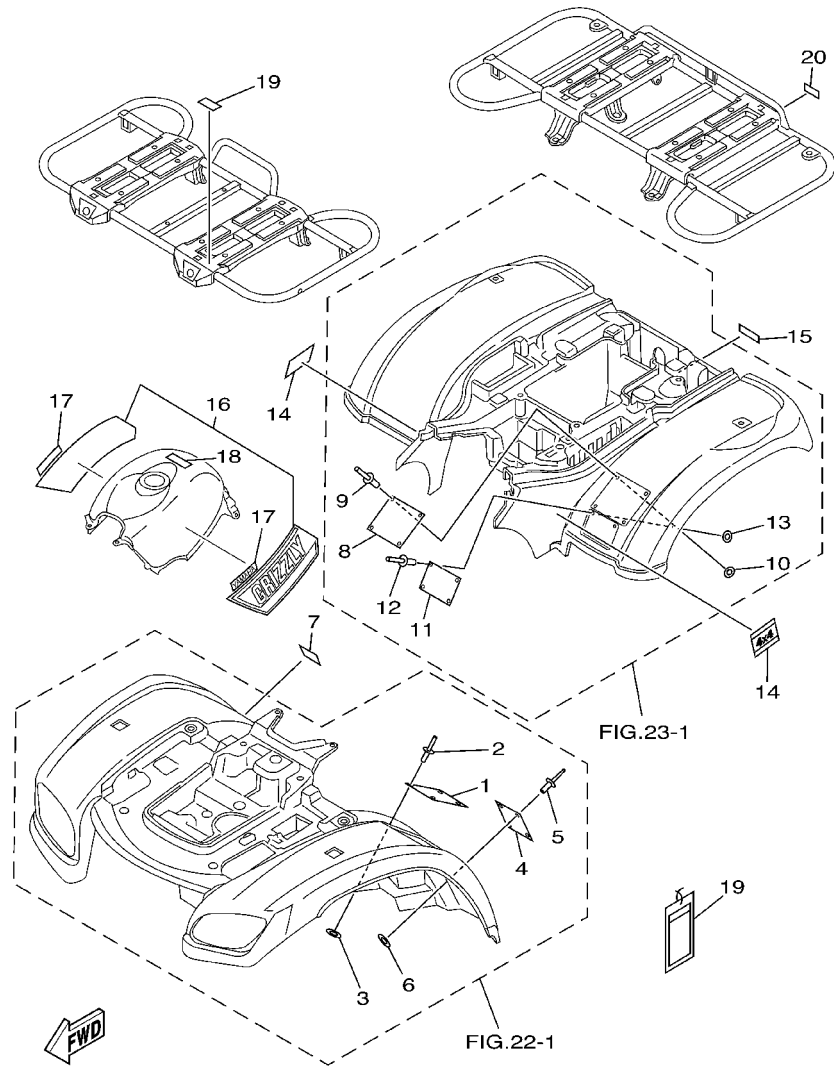


FIG. 50 EMBLEM.LABEL 1

REF. NO.	PART NO.	DESCRIPTION	CHE	GBR	AUS	REMARKS
1	5FK-21568-00	LABEL, WARNING	1	1		
2	90267-32004	RIVET, BLIND	6	6		
3	90201-03313	WASHER, PLATE	6	6		
4	5FK-21697-00	LABEL, CAUTION 2	1	1		
5	90267-32004	RIVET, BLIND	4	4		
6	90201-03313	WASHER, PLATE	4	4		
7	4GB-2155A-00	MARK,EC	1	1		
8	5KM-2156A-01	PLATE, MD	1	1		
9	5KM-21558-20	LABEL, WARNING 2	1	1		
10	5KM-21696-M0	LABEL, CAUTION	1	1		
11	90267-32004	RIVET, BLIND	4	4		
12	90201-03313	WASHER, PLATE	4	4		
13	5FK-2151H-00	LABEL 5	1	1		
14	90267-32004	RIVET, BLIND	4	4		
15	90201-03313	WASHER, PLATE	4	4		
16	5KM-2163G-00	EMBLEM 1	2	2		UR FOR PDG
	5KM-2163G-10	EMBLEM 1	2	2		UR FOR RTR
17	5KM-2151K-00	LABEL 7	1	1		
18	5KM-2173L-01	GRAPHIC SET 1	1	1		UR FOR PDG
	5KM-2173L-11	GRAPHIC SET 1	1	1		UR FOR RTR
19	3GD-2153E-10	EMBLEM, YAMAHA	2	2		
20	3ME-2415E-00	LABEL, CAUTION		1		GBR ONLY
21	3GC-24877-A0	LABEL, CAUTION	1	1		
22	4WV-24877-A0	LABEL, CAUTION	1	1		

FIG. 51 EMBLEM.LABEL 2



5KM3100-2510

REF. NO.	PART NO.	DESCRIPTION	CHE	GBR	AUS	REMARKS
1	5FE-21568-11	LABEL, WARNING			1	
2	90267-32004	RIVET, BLIND			6	
3	90201-03313	WASHER, PLATE			6	
4	5FE-21697-01	LABEL, CAUTION 2			1	
5	90267-32004	RIVET, BLIND			4	
6	90201-03313	WASHER, PLATE			4	
7	5KM-21558-00	LABEL, WARNING 2			1	
8	5KM-21696-00	LABEL, CAUTION			1	
9	90267-32004	RIVET, BLIND			4	
10	90201-03313	WASHER, PLATE			4	
11	5FE-2151H-01	LABEL 5			1	
12	90267-32004	RIVET, BLIND			4	
13	90201-03313	WASHER, PLATE			4	
14	5KM-2163G-30	EMBLEM 1			2	
15	5KM-2151K-00	LABEL 7			1	
16	5KM-2173L-31	GRAPHIC SET 1			1	
17	3GD-2153E-20	EMBLEM, YAMAHA			2	
18	5JJ-2415A-00	LABEL, CAUTION			1	
19	3GC-24877-A0	LABEL, CAUTION			1	
20	4WV-24877-A0	LABEL, CAUTION			1	



NUMERICAL INDEX

PART NO.	GRID NO.	PART NO.	GRID NO.	PART NO.	GRID NO.	PART NO.	GRID NO.	PART NO.	GRID NO.	PART NO.	GRID NO.
8CR-W0041-00	F- 4	3YF-12116-00	B- 7	33M-12671-00	B- 10	5KM-14453-00	B- 12	5GH-15443-01	C- 8	5KM-17531-30	C- 14
5KM-W0042-50	F- 6	3YF-12117-01	B- 7	5KM-12858-00	B- 13	59V-14457-00	B- 12	5KM-15451-00	C- 6	5KM-17531-40	C- 14
4WV-W0045-00	E- 13	4G0-12118-00	B- 7	3AJ-13161-01	B- 13	1UY-14458-01	B- 12	5KM-15453-00	C- 6	5KM-17531-50	C- 14
5KM-W0046-00	F- 2	5H0-12119-00	B- 7	5KM-13171-00	B- 13	1UY-14468-00	B- 12	5KM-15463-00	C- 4	5KM-17551-00	C- 14
3GD-W0047-00	E- 13	3YF-12121-00	B- 7	5KM-13181-00	B- 13	5DM-14561-00	B- 15	5KM-15471-00	C- 6	5KM-17576-00	C- 15
5KM-W0047-00	F- 2	3YF-12146-00	B- 7	583-14561-00	B- 14	583-14561-00	B- 15	5KM-15472-00	C- 7	5KM-17582-00	C- 12
1UY-W0048-50	E- 13	3YF-12151-00	B- 7	5KM-13300-00	B- 13	1FN-14565-00	B- 15	5KM-15473-00	C- 7	5KM-17583-00	C- 13
	F- 2	2NX-12156-00	B- 7	5KM-13329-00	B- 13	5KM-14611-00	C- 3	5KM-15474-00	C- 7	5KM-1761A-00	C- 15
3GD-W0057-00	E- 13	2NX-12159-00	B- 7	5KM-13355-00	B- 13	3YF-14613-01	C- 3	5KM-15494-00	C- 7	5KM-17611-00	C- 10
5KM-W0057-00	F- 2	3YF-12161-00	B- 7	5KM-13410-00	B- 13	5KM-14628-00	C- 3	5GH-15512-00	C- 9	5KM-17620-00	C- 10
5KM-W215B-00	D- 8	3YF-12162-00	B- 7	5GH-13440-00	B- 13	5KM-14711-00	C- 3	5KM-15517-00	C- 9	5KM-17623-00	C- 10
5KM-W215B-10	D- 8	3YF-12163-00	B- 7	5KM-13490-00	B- 13	5KM-14718-00	C- 3	5KM-15522-00	C- 9	5KM-17632-00	C- 10
5KM-W215B-30	D- 8	3YF-12166-00	B- 7	5KM-13586-00	B- 12	5KM-14721-00	C- 3	4KB-15590-00	C- 9	4WV-17639-10	C- 10
5KM-W216B-00	D- 10	5KM-12170-00	B- 8	5KM-13596-00	B- 12	5KM-14728-00	C- 3	5GH-15710-21	C- 8	5KM-17641-00	C- 10
5KM-W216B-10	D- 10	5KM-12176-00	B- 8	5KM-1410A-00	B- 15	5KM-14752-00	C- 3	21V-15713-00	C- 8	4WV-17644-00	C- 11
5KM-W216B-30	D- 10	5KM-12210-00	B- 8	5KM-14103-00	C- 2	3YF-14755-00	C- 3	24W-15714-00	C- 8	5KM-17645-00	C- 10
5KM-Y1754-00	C- 14	4DW-12213-00	B- 8	5EA-14105-00	B- 15	5KM-1477F-00	C- 3	21V-15715-01	C- 8	4WV-17653-00	C- 10
5KM-Y4612-00	D- 13	3TB-12215-01	B- 2	5DM-14141-30	B- 15	5DM-1477G-00	C- 3	21V-15716-01	C- 8	4WV-17654-01	C- 10
5KM-11101-00	B- 2	5KM-12216-00	B- 8	4KM-14142-40	C- 2	5KM-1490H-00	C- 2	1UY-15719-00	C- 6	4WV-17660-10	C- 10
5KM-11133-10	B- 2	5KM-12231-00	B- 8	4WV-14147-10	B- 15	5KM-1490J-00	B- 15	5KM-15723-00	C- 8	4CW-17664-00	C- 11
5KM-11134-10	B- 2	3YF-12233-00	B- 8	1UY-14155-00	C- 2	5KM-14901-00	B- 15	21V-15741-00	C- 8	4WV-17670-00	C- 10
5KM-11166-00	C- 4	5KM-12241-00	B- 8	522-14161-00	C- 2	5KM-14912-00	B- 15	21V-15751-00	C- 8	5KM-17681-00	C- 12
3YF-11181-00	B- 4	3YF-12247-00	B- 8	127-14186-00	B- 15	5GH-14918-00	B- 15	3X3-15755-00	C- 8	4WV-17684-00	C- 11
1L9-11186-00	B- 2	3YF-12284-00	B- 8	5KM-14190-30	B- 15	5KM-14918-00	B- 15	21V-15767-00	C- 8	5KM-17832-00	C- 14
3YF-11187-00	B- 2	3YF-12288-00	B- 8	12R-14191-00	B- 15	4KM-14933-00	B- 15	21V-15779-00	C- 8	5KM-18104-00	D- 4
214-11198-01	B- 13	3YF-12290-00	B- 8	24W-14193-00	C- 2	5KM-14937-00	C- 2	5KM-16181-00	B- 5	5KM-18115-00	D- 4
	D- 14	5KM-12405-00	B- 10	5KM-14193-00	C- 2	256-14956-01	C- 2	5KM-16611-00	C- 10	5KM-18129-00	D- 4
	E- 3	5KM-12411-00	B- 10	3YX-14197-00	C- 2	5KM-14968-00	C- 2	5KM-16620-00	C- 10	5KM-18131-00	D- 4
5KM-11310-00	B- 4	5KM-12413-00	B- 10	5KM-14197-10	C- 2	5DM-14985-00	B- 15	5KM-16626-00	C- 10	5KM-18146-00	D- 4
5KM-11351-00	B- 4	5KM-12420-00	B- 9	5KM-14197-20	B- 15	28V-14988-00	C- 2	4SH-16664-00	C- 10	5KM-18148-00	D- 2
5KM-11400-00	B- 5	5KM-12421-00	B- 9	3DM-14216-00	C- 2	5KM-15100-00	C- 4	5KM-17223-00	C- 12	1KT-18157-00	D- 4
5KM-11447-00	B- 5	5KM-12422-00	B- 9	3G2-1423E-61	B- 15	5KM-15113-00	C- 6	5KM-17233-00	C- 12	5KM-18171-00	D- 2
5KM-11454-00	B- 5	5KM-12428-00	B- 9	1HX-14231-18	B- 15	5KM-15163-00	C- 4	5KM-17285-00	C- 12	5GH-18174-00	D- 4
5KM-11530-00	B- 5	11H-12438-10	B- 9	3G2-14231-11	B- 15	5KM-15199-00	C- 4	5KM-17402-00	C- 12	5KM-18191-00	D- 4
5KM-11536-00	B- 5	5KM-12450-00	B- 9	5GH-14261-00	B- 15	5KM-15315-00	C- 6	5KM-17453-00	C- 12	5KM-18197-00	D- 4
5KM-11565-00	B- 5	5KM-12461-00	B- 10	5AP-14280-00	C- 2	5KM-15351-00	C- 6	5KM-17473-00	C- 12	4SH-18198-00	D- 4
3YF-11610-00	B- 5	5HD-12462-00	B- 10	4WV-14293-00	B- 15	5KM-15362-00	C- 4	5KM-17521-00	C- 14	5KM-18300-00	D- 4
3YF-11610-20	B- 5	5KM-12469-00	B- 10	4WV-14349-00	C- 2	2N4-15371-00	D- 14	5KM-17523-00	C- 12	5KM-18318-00	D- 2
3YF-11610-40	B- 5	5KM-12481-00	B- 10	5KM-14411-00	B- 12	5KM-15379-00	C- 6	4KB-17531-00	C- 14	5KM-18319-00	E- 3
3YF-11631-00-X0	B- 5	1AA-12535-00	B- 10	5KM-14412-00	B- 12	4WV-15381-00	C- 5	4KB-17531-10	C- 14	5KM-18323-00	D- 2
3YF-11633-01	B- 5	5KM-12576-00	B- 10	31A-14419-00	B- 12	11H-15383-02	C- 14	4KB-17531-20	C- 14	5KM-18331-00	D- 2
3YF-11636-00	B- 5	5KM-12577-00	B- 10	5KM-14419-00	B- 12	4WV-15388-00	C- 4	4KB-17531-30	C- 15	5KM-18511-00	D- 2
3YF-11638-00	B- 5	5KM-12578-00	B- 10	5KM-1442F-00	B- 12	5KM-15411-00	C- 6	4KB-17531-40	C- 15	5KM-18512-00	D- 2
5LP-11651-00	B- 5	5KM-12579-00	B- 10	5BF-1443E-00	C- 7	5GH-15413-00	C- 7	4KB-17531-50	C- 15	5KM-18514-00	E- 3
5KM-11681-00	B- 5	5KM-12611-00	B- 10	31A-14435-00	B- 12	5KM-15421-00	C- 6	4KB-17531-60	C- 15	5KM-18531-00	D- 2
3YF-12111-00	B- 7	5KM-12620-00	B- 10	5GH-14436-00	B- 12	5KM-15423-00	C- 7	5KM-17531-00	C- 14	5KM-18540-00	D- 2
3YF-12113-00	B- 7	5KM-12630-00	B- 10	1UY-14451-00	B- 12	5KM-15431-00	C- 6	5KM-17531-10	C- 14	5KM-18542-00	D- 2
3YF-12114-00	B- 7	5GH-12647-00	B- 10	5KM-14452-00	B- 12	5KM-15442-00	C- 4	5KM-17531-20	C- 14	1J7-18547-00	D- 3

NUMERICAL INDEX

PART NO.	GRID NO.	PART NO.	GRID NO.	PART NO.	GRID NO.	PART NO.	GRID NO.	PART NO.	GRID NO.	PART NO.	GRID NO.
4UN-18566-00	D-2	5KM-2173L-01	G-5	5GT-23872-00	D-6	5GT-2512A-00	E-14	5KM-25874-00	F-6	5GH-28349-00	D-8
5GH-18617-00	D-4	5KM-2173L-11	G-5	1UY-23894-01	E-7		E-15	5KM-25875-00	F-4	5KM-2837L-00	D-8
5KM-21110-00	D-6	5KM-2173L-31	G-6	5KM-24110-00	E-8	3HN-2512G-01	E-11	5KM-25882-00	F-6	5KM-2842M-00	F-8
5KM-2117G-10	F-7	5KM-2174A-00	D-11	5KM-2414H-00	E-8		E-12	5KM-25886-00	F-6	5KM-2842N-00	F-8
5KM-21315-00	D-6	5KM-2174M-00	D-11	5JJ-2415A-00	G-6	4WV-2512G-00	E-14	1FK-2589F-00	F-4	5KM-2845N-00	F-8
5KM-21316-00	D-6	5KM-2174T-00	D-11	3ME-2415E-00	G-5		E-15	3GM-2589H-00	F-6	5KM-28488-00	D-7
5KM-2133G-00	F-6	5KM-2175B-00	D-8	5KM-24181-00	E-8	4KB-2512H-00	E-11	5JJ-25894-00	F-6	5KM-28488-10	D-7
5KM-21441-00	F-7	1AA-21815-00	D-11	5KM-24182-00	E-9		E-12	5LP-25895-00	F-7	5KM-42752-00	E-2
5KM-2147A-00	D-7	5KM-21871-00	D-11	5KM-24311-00	E-8	2HR-2512J-00	E-11	3GD-25916-00	E-13	5KM-45531-00	E-11
5KM-2147E-00	D-7	1AA-21874-00	D-11	5KM-24411-00	B-15		E-12	5KM-25919-00	F-2	5KM-46101-00	D-13
5KM-2147F-00	D-7	5KM-2193A-00	D-8	5KM-24500-00	E-8	5KM-2514A-00	E-13	8CR-25924-00	F-2	5KM-46102-00	D-13
5KM-21485-00	D-6	5KM-22128-00	D-12	4X8-24512-00	E-8	5KM-25180-00	E-11	8CR-25926-00	F-2	5KM-46107-00	E-3
5KM-21486-00	D-6	5KM-22129-00	D-12	3AJ-24523-00	E-8	5KM-2530F-00	E-15	3GD-25933-00	E-13	22U-46117-00-25	D-14
5FE-2151H-01	G-6	5KM-22149-00	D-12	5GH-24524-00	E-8	5KM-2530T-00	E-14	5KM-26111-00	F-3	22U-46117-00-30	D-14
5FK-2151H-00	G-5	5KM-2217M-00	D-12	3AJ-24534-00	E-8	5KM-2530U-00	E-14	5KM-26124-00	F-3	22U-46117-00-40	D-14
5KM-2151K-00	G-5	5KM-2217N-00	D-12	5KM-24610-00	E-8	5KM-2530V-00	E-14	1NV-26129-00	F-3	24W-46118-00-12	D-13
	G-6	5KM-22171-00	D-12	5KM-24710-00	E-10	5KM-2530W-00	E-14	5FE-26232-00	D-8	24W-46118-00-14	D-13
5KM-21513-00	D-6	5KM-22172-00	D-12	5KM-24710-10	E-10	5KM-2530X-00	E-14	3GB-26241-00	F-3	24W-46118-00-16	D-13
3GD-2153E-10	G-5	5KM-22210-10	E-5	5KM-24731-00	E-10		E-15	1NV-2625G-01	F-3	24W-46118-00-18	D-13
3GD-2153E-20	G-6	5KM-23123-00	E-6	5KM-24731-10	E-10	5KM-2530Y-00	E-14	1NV-2625K-00	F-3	24W-46118-00-20	D-13
4GB-2155A-00	G-5	5KM-23133-00	E-6	5KM-2482H-00	F-8		E-15	5KM-26250-00	F-3	4WV-46119-00	E-2
5KM-21557-00	D-11	5KM-23338-00	D-8	5KM-24841-00	F-8	5KM-25311-00	E-14	4KB-2628F-10	F-3	4WV-46119-10	E-2
5KM-21558-00	G-6	5KM-23350-10	E-6	5KM-24842-00	F-8	5KM-25377-00	E-15	4KB-2628G-00	F-3	4WV-46119-20	E-2
5KM-21558-20	G-5	5KM-23391-00	D-8	5KM-24842-10	F-8	5KM-2539F-00	F-2	1NV-26304-00	F-3	4WV-46119-30	E-2
5KM-2156A-01	G-5	5KM-23391-10	D-8	5KM-24845-00	F-8	5KM-25390-00	E-14	5KM-26311-00	F-3	4WV-46119-40	E-2
5FE-21568-11	G-6	5KM-23448-00	E-15	5KM-24846-00	F-8	4WV-2580T-00	E-13	5KM-26331-00	F-3	4WV-46119-50	E-2
5FK-21568-00	G-5	5KM-23501-00	E-11	3GC-24877-A0	G-5	4WV-2580U-00	E-13	5EB-26332-00	F-4	4WV-46119-60	E-2
5KM-21575-00	D-8	5KM-23502-00	E-12		G-6	5KM-2580V-00	F-2	5KM-26341-00	F-7	4WV-46119-70	E-2
5KM-21585-00	D-7	2NL-23517-00	E-15	4WV-24877-A0	G-5	5KM-2581J-00	F-6	5KM-2637F-00	F-7	4WV-46119-80	E-2
5KM-2160F-00	D-10	5KM-23526-00	D-12		G-6	31A-2582A-50	F-6	1NV-26398-00	F-3	5KM-46119-00	E-3
5KM-2160F-10	D-10		E-6	5KM-2510F-00	E-11	5KM-2582T-00	E-13	371-27114-00	E-10	5KM-46119-10	E-3
5KM-2160F-30	D-10	5KM-23540-00	E-6		E-12	5KM-2582V-00	F-2	5KM-27211-00	F-5	5KM-46119-20	E-3
5KM-21613-00	D-10	5KM-23550-00	E-6	5KM-2510G-00	E-11	3GD-25827-00	E-13	5KM-27212-00	F-5	5KM-46119-30	E-3
5GH-2163E-00	D-10	5KM-23570-00	E-6		E-12	3GD-25828-00	E-13	4SS-27218-00	F-6	5KM-46119-40	E-3
5KM-2163G-00	G-5	5KM-23579-00	E-6	5KM-2510H-00	E-11	5KM-2583T-01	F-4	2YK-27222-00	F-6	5KM-46119-50	E-3
5KM-2163G-10	G-5	5KM-23580-00	E-6		E-12	5KM-2583V-00	F-6	5KM-27252-00	F-5	5KM-46119-60	E-3
5KM-2163G-30	G-6	1UY-23812-00	E-7	5KM-2510J-00	E-11	5GH-25844-00	F-6	5KM-27263-00	F-5	5KM-46126-00	D-14
5KM-21652-10	D-10	5KM-23813-00	E-7	5KM-2510J-10	E-12	3XP-25852-50	F-6	5GH-2741A-00	F-5	2HR-46127-00-25	D-13
5KM-21696-M0	G-5	8K1-23814-00	E-7	3HN-2511G-01	E-11	5JX-25852-01	F-4	5KM-27414-00	C-3	2HR-46127-00-30	D-13
5KM-21696-00	G-6	5KM-23816-00	E-7		E-12	2VN-25854-00	F-6	5KM-27453-00	F-5	2HR-46127-00-35	D-13
5FE-21697-01	G-6	5KM-23831-00	E-7	4WV-2511G-00	E-14	4L0-25854-00	F-4	5KM-27463-00	F-5	2HR-46127-00-40	D-13
5FK-21697-00	G-5	1UY-23841-01	E-7		E-15	2VN-25855-00	F-6	5KM-27481-00	F-5	2HR-46127-00-45	D-13
5KM-2171A-00	D-11	1UY-23845-01	E-7	4KB-2511H-00	E-11	2GU-25866-00	F-4	5KM-27491-00	F-7	2HR-46127-00-50	D-13
5KM-2171A-10	D-11	5KM-2385L-00	E-5		E-12		F-6	4WV-28100-00	D-7	5GT-46136-00	E-4
5KM-2171A-30	D-11	5KM-2385M-00	E-5	5KM-25111-00	E-11	5GH-25867-00	F-4	1NV-2811A-01	D-7	5KM-46136-00	D-14
5KM-2171L-00	D-11	5KM-2386G-00	E-5		E-12	5KM-25871-00	F-4	4CY-28218-00	D-10	5GT-46137-00	E-4
5KM-21711-00	D-11	5KM-2386H-00	E-5	5GT-2512A-00	E-11	5KM-25872-00	F-4	5KM-28309-00	D-8	5KM-46137-00	D-14
5KM-21721-00	D-11	5KM-23868-00	E-7		E-12	5KM-25873-00	F-4	5KM-28309-10	D-8	5KM-46141-00	E-2

NUMERICAL INDEX

PART NO.	GRID NO.	PART NO.	GRID NO.	PART NO.	GRID NO.	PART NO.	GRID NO.	PART NO.	GRID NO.	PART NO.	GRID NO.
4WV-46143-00	E-2	5JJ-82151-30	G-2	5KM-8472C-00	F-13	90114-10010	E-11	90179-55660	C-15	90201-162L6	E-15
5KM-46144-00	D-13	5JJ-82151-50	G-2	2EK-85111-00	G-4		E-12	90179-60699	C-14	90201-170M2	C-14
4WV-46145-00	E-2	5GT-82180-00	G-2	3Y6-85130-02	G-4		E-14	90179-65305	D-13	90201-17255	C-12
5KM-46146-00	E-2	5KM-82309-00	G-2	449-85131-02	G-4	90119-05071	E-8	90183-05008	F-12	90201-190T7	C-10
5KM-46151-00	D-13	3KJ-82310-10	F-15	5KM-85540-00	F-15	90119-06044	F-15	90183-05024	G-4	90201-20266	E-4
5KM-46152-00	D-14	3YF-82370-00	F-15	5KM-85752-00	E-8	90119-06056	C-7	90183-06053	C-7	90201-20276	C-12
5KM-46155-00	E-2	5KM-82507-00	G-2	4US-85753-00	E-8		D-10		E-6	90201-20792	D-2
2HR-46156-00	D-14	5HA-82509-00	F-15	2JG-85757-00	E-8		D-11	90185-10060	D-12	90201-21008	C-12
4WV-46159-00	E-2	5KM-82509-00	G-2	90101-10568	B-5		D-8		E-15	90201-25291	C-9
5KM-4616A-00	E-2	5KM-82510-00	G-2	90105-06023	B-9	90119-06117	D-12		E-5	90202-05193	E-8
5KM-46160-00	E-2	5KM-82530-00	G-2	90105-06031	C-4	90123-08046	F-14		E-6	90206-12075	B-7
5KM-46161-00	E-2	5GH-8254B-00	G-2		C-6	90149-04278	F-3	90185-14070	C-15	90206-14086	F-5
5KM-46162-00	E-2	5KM-82540-00	F-15	90105-07342	B-8	90149-05321	D-2		E-7	90209-06174	B-11
4WV-46167-00	E-3	5LP-82540-00	F-15	90105-08538	E-13	90149-06011	E-8	90201-03313	G-5	90209-08249	C-3
5KM-46172-00	D-14	5KM-82541-00	G-2	90105-09647	B-4	90149-08152	C-14		G-6	90209-22082	C-12
5KM-46173-00	E-4	1AJ-82560-01	F-15	90105-09648	B-2	90149-08296	F-5	90201-047R9	C-10	90215-18001	B-6
5GT-46187-00	E-3	5GM-82560-00	F-15	90105-10051	D-6	90149-14001	D-2	90201-05029	D-9	90240-06076	F-7
5KM-46212-00	D-13	5GT-82560-00	G-2		D-7	90150-06021	E-13		F-5	90240-08013	F-6
5KM-46441-00	E-3	5KM-82560-00	F-15	90105-10286	E-6	90151-05023	C-6	90201-060L5	E-8	90267-32004	G-5
5KM-46451-00	E-3	3HN-82579-00	G-2	90105-10300	D-6	90154-05004	F-12	90201-06008	D-4		G-6
5KM-46470-00	E-2	5KM-82590-10	G-2	90105-10323	D-12	90154-05005	D-8	90201-06042	F-7	90269-05055	D-4
5KM-46559-00	D-14	5KM-82910-00	F-14	90105-10388	E-5		F-5	90201-06071	F-5	90269-06002	D-11
5KM-47491-00	E-5	1YW-82911-01	F-14		E-6	90157-04088	C-10	90201-06074	F-13		D-8
5KM-81410-00	F-9	2XJ-82913-00	F-14	90105-10480	E-15	90159-05022	F-12	90201-06778	C-3		E-8
5KM-81450-00	F-9	4V4-82913-00	F-3	90105-10549	E-6	90167-05025	F-8	90201-07081	D-8	90280-16053	B-5
5KM-81677-00	F-7	5KM-82917-00	F-14	90105-10634	F-2	90170-06128	B-7	90201-08016	F-15	90282-05005	B-5
3AJ-81801-00	F-10	4WV-83371-00	G-3	90105-10649	B-4	90170-08358	D-4	90201-08083	F-6	90338-08226	B-12
5KM-81815-00	F-10	5KM-83500-00	F-11	90105-10650	B-4	90170-10186	E-7	90201-08087	D-14		F-15
4XV-8182A-00	F-10	5KM-83500-10	F-11	90105-14367	D-2	90170-18003	B-6	90201-086J0	C-3		G-2
3AJ-81826-00	F-10	5LV-83755-00	F-15	90109-060F3	D-10	90170-36279	C-11	90201-08784	F-5	90338-12081	D-5
11H-81844-00	F-10	4TR-83790-00	F-15	90109-06038	F-2	90171-10046	E-6	90201-096J9	B-4	90340-10001	E-3
1FK-81847-00	F-10	1UY-83909-00	F-14	90109-063E8	B-7		E-7	90201-101A4	B-4	90340-14029	E-3
5KM-81890-00	F-10	23X-83912-00	F-14	90109-063E9	B-2	90171-16001	E-11	90201-101J1	D-6	90340-14046	D-14
4SV-81940-00	G-2	5KM-83922-00	F-4	90109-063F1	D-11		E-12		D-7	90340-14117	B-2
29U-81950-93	G-2	437-83936-01	G-3		D-7		E-14	90201-10118	F-4		C-6
5DM-81950-00	G-2	5GH-83941-00	F-14		D-8		E-15		F-6	90340-14132	B-13
5BN-81960-00	F-15	3L4-83943-00	F-14		F-5	90173-06015	C-3	90201-10321	B-5	90340-18101	B-2
4SH-82100-21	F-15	5LP-83973-01	F-14		F-7	90179-08148	F-14	90201-10430	E-6	90340-20143	D-13
5FU-82103-00	F-15	4GB-83976-00	F-14	90109-063F5	D-7	90179-08410	C-3	90201-12191	D-13	90381-17067	E-15
5KM-82109-00	G-3	5LP-83980-00	F-4		D-8	90179-10007	E-11	90201-127J6	D-2	90387-060A7	B-11
5GH-82114-00	G-2	4KB-84314-00	F-12		F-5		E-12	90201-132G5	D-4	90387-061V4	C-3
5KM-82115-00	G-2	5KM-84320-00	F-12	90109-06723	F-15		E-14	90201-14226	E-7	90387-0613B	D-4
5KM-82116-00	G-2	2GU-84332-00	F-12	90109-06799	F-14	90179-12325	D-13	90201-144J2	F-5	90387-066J1	E-8
371-82121-00	F-15	2GU-84334-00	F-12	90109-08021	E-13	90179-16661	C-14	90201-14633	C-15	90387-06648	D-8
5KM-82128-00	F-15	5EH-84340-00	F-12	90110-06007	D-8	90179-16690	C-10		E-2	90387-07598	E-8
5KM-82129-00	G-2	5KM-84703-00	F-12	90110-06039	B-8		C-11	90201-162L6	E-11	90387-090R0	E-7
1AE-82151-00	G-2	5KM-84710-00	F-13	90110-06093	B-2	90179-22526	C-14		E-12	90387-250R3	C-12
5JJ-82151-10	G-2	1A2-84714-41	F-13	90113-08004	E-2	90179-22640	C-10		E-14	90387-26001	C-12

NUMERICAL INDEX

PART NO.	GRID NO.	PART NO.	GRID NO.	PART NO.	GRID NO.	PART NO.	GRID NO.	PART NO.	GRID NO.	PART NO.	GRID NO.
90401-06001	B-3	90465-10026	D-4	91317-06012	B-13	93102-25099	D-6	93211-51749	D-14	93604-18100	D-2
90401-08117	B-13	90465-10098	G-3	91317-06016	F-15	93102-28476	C-6	93211-594A4	C-10	93606-09002	B-5
90401-10159	B-13	90467-06194	B-9	91317-06018	B-2	93102-30170	C-14	93306-00006	B-9	93612-16254	B-4
	F-4		C-2	91317-06020	B-10	93102-35004	C-4	93306-00612	C-12	93700-06004	E-15
	F-6	90467-07029	D-15		B-12	93102-35009	D-13	93306-00615	E-11	93900-00030	E-11
90401-14118	B-13		E-3	91317-06025	B-2	93102-42004	C-12		E-12		E-12
90401-20145	B-13	90467-08003	D-11	91317-06040	B-2	93102-44454	C-15		E-15		E-14
90413-05014	G-3	90467-08021	G-3		B-4	93102-48012	E-2	93306-00709	E-3	94108-12008	E-11
90430-06014	B-9	90467-10038	B-10	91317-06050	B-2	93102-65004	D-14	93306-07801	C-6		E-12
90430-06192	B-3	90467-11044	F-7	91317-06055	B-2	93104-09025	F-3	93306-20120	C-5	94108-12009	E-11
90430-08204	B-13	90467-12053	E-8	91317-06115	B-2	93104-41119	C-10	93306-20221	C-12		E-12
90430-10003	E-3	90467-14015	C-4	91317-06130	B-2	93106-38047	E-11	93306-20321	C-12	94110-12008	E-14
90430-10148	F-15	90467-14057	F-7	91317-08018	C-9		E-12	93306-20331	D-6	94110-12009	E-14
90430-10188	B-13	90467-15012	D-5	91317-08020	E-2		E-15	93306-20332	C-12	94581-94070	B-13
90430-14043	B-13	90467-16195	C-7	91317-08040	C-4	93112-31011	E-7	93306-20597	C-15	94591-53126	B-8
	D-3	90467-22080	B-12	91317-10025	D-7	93210-08521	B-7	93306-20715	C-14	94591-54034	C-12
90430-14194	D-2	90467-26189	B-10	91380-06010	C-3	93210-10096	B-13	93306-30318	C-13	94701-00241	B-2
90445-07176	G-3	90468-15139	G-3	91401-16012	F-6	93210-13657	B-2	93306-30432	B-6	95027-06008	G-2
90445-07371	D-15	90468-16191	E-7	91401-20012	F-7	93210-14359	E-2	93306-30534	B-6	95027-06010	B-9
	E-3	90480-01009	C-3	91401-20020	E-6	93210-14369	C-6	93306-30537	C-14	95027-06012	B-14
	G-3	90480-01400	E-8		E-7	93210-14579	B-13	93306-30574	D-13		C-5
90445-084J1	E-8	90480-13018	C-6	91490-30030	E-11	93210-15620	F-6	93306-30702	B-5	95027-06014	B-13
90445-09220	F-13	90480-13398	C-7		E-12	93210-16290	B-5	93306-37206	C-14		C-6
90445-096F4	D-11	90480-13567	D-11		E-14	93210-19123	D-14	93306-91201	E-3	95027-06016	C-4
90445-09635	D-11	90480-15235	B-11		E-15	93210-19522	B-2	93310-212R6	C-9		D-6
90446-06001	B-9	90480-18290	B-12	92907-04600	C-2		C-4	93310-420F2	C-12	95027-06020	B-10
90446-09155	G-3		E-8	92907-05100	F-14	93210-21190	B-10	93310-637D3	B-5		D-4
90446-16001	D-5	90480-18418	F-7		F-3	93210-26001	C-12	93315-21813	C-10	95027-06030	C-4
90450-32008	C-3	90501-05001	B-8		G-4	93210-27666	E-11	93316-00702	E-3		C-6
90450-32015	B-10	90501-06022	D-2	92907-05200	G-4		E-12	93316-01003	C-4		D-4
90450-65001	B-12	90501-10353	D-2	92907-06100	F-14		E-14	93316-01701	D-14		F-10
90450-67001	B-12	90501-12004	D-3	92907-06600	B-11		E-15	93317-85569	D-13	95027-06040	B-13
90460-15126	G-3	90501-12016	D-2		B-2	93210-29196	F-15	93399-99948	E-3		C-4
90460-59211	B-12	90501-16002	D-2		B-8	93210-321A8	B-12		E-4		C-6
90460-75020	B-12	90501-18002	D-14		C-8	93210-32172	B-2	93410-20038	C-12	95027-06045	B-9
90460-81224	C-7	90501-22004	B-5		F-15	93210-33133	B-9		D-2	95027-06055	C-4
90460-85135	C-7	90501-235L9	E-4		F-9	93210-33786	B-10	93410-22039	D-14	95027-06065	B-9
90462-08008	B-10	90501-65001	C-11	92907-08600	C-14	93210-41041	D-7	93410-46079	C-10	95027-08012	D-14
90464-07001	G-3	90506-12441	F-5		D-13	93210-44545	B-12	93430-10015	F-5	95307-05600	G-4
90464-12045	G-2	90506-16318	F-5		D-14		C-10	93440-10085	B-2	95307-05700	F-3
90464-12089	G-3	90508-32018	D-2	92990-10600	E-7	93210-57428	G-3	93440-20088	E-3	95307-08700	D-4
90464-14M55	G-3	90508-35764	D-4	93101-10090	B-9	93210-626A7	D-13		E-4	95307-10700	E-7
90464-15157	G-3	90560-30325	E-11	93101-12168	C-5	93210-71360	B-2	93440-25084	C-12	95307-06600	D-8
90464-15195	G-3		E-12	93101-35001	C-10	93210-78544	C-14	93450-22119	E-12		F-5
90464-35047	G-2	91A20-07010	C-2	93102-15212	D-4	93210-82001	E-3	93450-24028	B-5	95337-10600	E-6
	G-3	91317-05012	F-9	93102-20108	B-6	93210-975A9	G-3	93450-24062	C-10	95606-06100	F-4
90465-05M87	C-6	91317-06010	B-10	93102-24034	E-2	93211-01467	B-4	93503-08007	D-2	95607-05100	F-3
90465-08361	C-6		F-4	93102-25081	D-6	93211-40040	E-3	93603-21180	B-8	95607-06100	F-14

NUMERICAL INDEX

PART NO.	GRID NO.	PART NO.	GRID NO.	PART NO.	GRID NO.	PART NO.	GRID NO.	PART NO.	GRID NO.	PART NO.	GRID NO.
95607-10200	D- 6	95827-06050	C- 4								
	D- 7	95827-08020	D- 7								
	E- 5	95827-08030	E- 7								
95617-06100	F- 2	97007-06020	F- 15								
95617-08625	B- 2	97017-06010	B- 11								
95702-06500	C- 8	97017-06014	C- 8								
95707-05300	D- 9	97027-06016	B- 8								
	F- 5	97027-08025	D- 14								
95707-05500	F- 11	97027-08030	C- 14								
95707-06300	F- 13	97027-08035	D- 13								
95707-08500	D- 14	97027-08060	E- 7								
95807-06012	E- 6	97607-04114	C- 2								
95807-06016	D- 8	97707-60016	G- 2								
95807-06020	B- 11	97707-60025	B- 12								
	F- 15		F- 15								
95807-06025	E- 8	98507-03014	E- 8								
95807-08020	D- 5	98507-03540	F- 12								
95807-08040	C- 3	98507-04008	B- 15								
95817-06012	D- 6	98507-04010	C- 2								
	G- 3	98507-04014	C- 2								
95817-06016	C- 4	98507-05008	B- 15								
	D- 4	98507-05020	F- 3								
95817-06020	C- 3	98507-05030	F- 14								
95817-06035	D- 4	98507-06010	C- 3								
95817-08012	F- 5	98507-06020	F- 14								
	F- 8	98507-06030	F- 9								
95817-08014	E- 5	98517-05012	F- 14								
	F- 8	98706-04012	F- 4								
95817-08016	D- 6	98707-04018	E- 8								
95817-08020	D- 6	99009-10400	B- 9								
95817-08025	C- 3	99009-11400	B- 13								
	F- 5	99009-12400	D- 2								
	F- 6	99009-19400	D- 14								
95817-08030	C- 14		E- 4								
95817-10025	D- 14	99009-30400	E- 6								
95817-10030	D- 6	99009-35400	B- 5								
95827-06008	F- 6	99009-80500	C- 4								
	F- 7	99530-08012	D- 4								
95827-06012	F- 6	99530-10116	B- 2								
95827-06016	C- 3		C- 4								
	C- 6		C- 6								
95827-06020	C- 7	99530-14016	B- 4								
95827-06025	C- 6										
	F- 4										
	F- 6										
95827-06030	C- 4										
	C- 6										
95827-06040	C- 5										