



YFM4FAR YFM400FAR

5TE2-AE1

SERVICE MANUAL

**YFM4FAR/YFM400FAR
SERVICE MANUAL**

©2002 by Yamaha Motor Co., Ltd.

First edition, April 2002

All rights reserved.

**Any reproduction or unauthorized use
without the written permission of
Yamaha Motor Co., Ltd.
is expressly prohibited.**

NOTICE

This manual was produced by the Yamaha Motor Company primarily for use by Yamaha dealers and their qualified mechanics. It is not possible to include all the knowledge of a mechanic in one manual, so it is assumed that anyone who uses this book to perform maintenance and repairs on Yamaha machine has a basic understanding of the mechanical ideas and the procedures of machine repair. Repairs attempted by anyone without this knowledge are likely to render the machine unsafe and unfit for use.

Yamaha Motor Company, Ltd. is continually striving to improve all its models. Modifications and significant changes in specifications or procedures will be forwarded to all authorized Yamaha dealers and will appear in future editions of this manual where applicable.

NOTE: _____
Designs and specifications are subject to change without notice.

IMPORTANT INFORMATION

Particularly important information is distinguished in this manual by the following notations.



The Safety Alert Symbol means ATTENTION! BECOME ALERT! YOUR SAFETY IS INVOLVED!



Failure to follow WARNING instructions could result in severe injury or death to the machine operator, a bystander or a person inspecting or repairing the machine.



A CAUTION indicates special precautions that must be taken to avoid damage to the machine.

NOTE: A NOTE provides key information to make procedures easier or clearer.

HOW TO USE THIS MANUAL

MANUAL ORGANIZATION

This manual consists of chapters for the main categories of subjects. (See "Illustrated symbols")

1st title ①: This is the title of the chapter with its symbol in the upper right corner of each page.

2nd title ②: This title indicates the section of the chapter and only appears on the first page of each section. It is located in the upper left corner of the page.

3rd title ③: This title indicates a sub-section that is followed by step-by-step procedures accompanied by corresponding illustrations.

EXPLODED DIAGRAMS

To help identify parts and clarify procedure steps, there are exploded diagrams at the start of each removal and disassembly section.

1. An easy-to-see exploded diagram ④ is provided for removal and disassembly jobs.
2. Numbers ⑤ are given in the order of the jobs in the exploded diagram. A number that is enclosed by a circle indicates a disassembly step.
3. An explanation of jobs and notes is presented in an easy-to-read way by the use of symbol marks ⑥. The meanings of the symbol marks are given on the next page.
4. A job instruction chart ⑦ accompanies the exploded diagram, providing the order of jobs, names of parts, notes in jobs, etc.
5. For jobs requiring more information, the step-by-step format supplements ⑧ are given in addition to the exploded diagram and the job instruction chart.

② CLUTCH ① ENG

CLUTCH

④

⑤

⑥

⑦

Order	Job name/Part name	Q'ty	Remarks
Removing the clutch			
Primary and secondary sheaves			
1	Cover	1	Remove the parts in the order below. Refer to "PRIMARY AND SECONDARY SHEAVES".
2	Clutch housing assembly	1	
3	Gasket/dowel pin	1/2	
4	One-way clutch bearing	1	
5	Nut	1	
6	Clutch carrier assembly	1	
For installation, reverse the removal procedure.			

③ CLUTCH ENG

⑧

REMOVING THE CLUTCH

1. Remove:
 - Clutch housing assembly
 - Gasket
 - Dowel pins

NOTE:
Working in crisscross pattern, loosen each bolt 1/4 of a turn. Remove them after all of them are loosened.

2. Straighten:
 - Punched portion of the nut ①.
3. Remove:
 - Nut ①

NOTE:
Use a clutch holding tool ② to hold the clutch carrier assembly.

Clutch holding tool:
P/N. YM-91042, 90890-04086

CHECKING THE CLUTCH









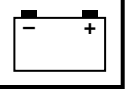







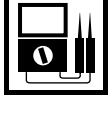







1. Check:
 - Clutch housing ①
Heat damage/wear/damage → Replace.
 - One-way clutch bearing ②
Chafing/wear/damage → Replace.

NOTE:

- Replace the one-way clutch assembly and clutch housing as a set.
- The one-way clutch bearing ② must be installed with the arrow mark side facing up.

Checking steps:

- Install the one-way clutch bearing and clutch carrier assembly to the clutch housing and hold the clutch carrier assembly.
- When turning the clutch carrier assembly clockwise , the clutch carrier assembly should turn freely. If not, the one-way clutch assembly is faulty. Replace it.
- When turning the clutch carrier assembly counterclockwise , the clutch housing and clutch carrier assembly should be engaged. If not, the one-way clutch assembly is faulty. Replace it.

① GEN INFO 	② SPEC 	
③ CHK ADJ 	④ ENG 	
⑤ COOL 	⑥ CARB 	
⑦ DRIV 	⑧ CHAS 	
⑨ ELEC 	⑩ TRBL SHTG ?	
⑪ 	⑫ 	
⑬ 	⑭ 	
⑮ 	⑯ 	
⑰ 	⑱ 	
⑲ 	⑲ 	⑲ 
⑳ 	㉓ 	㉔ 
㉕ 	㉖ New	

EB003000

ILLUSTRATED SYMBOLS

Illustrated symbols ① to ⑩ are printed on the top right of each page and indicate the subject of each chapter.

- ① General information
- ② Specifications
- ③ Periodic checks and adjustments
- ④ Engine
- ⑤ Cooling system
- ⑥ Carburetion
- ⑦ Drive train
- ⑧ Chassis
- ⑨ Electrical
- ⑩ Troubleshooting

Illustrated symbols ⑪ to ⑱ are used to identify the specifications appearing in the text.

- ⑪ Can be serviced with engine mounted
- ⑫ Filling fluid
- ⑬ Lubricant
- ⑭ Special tool
- ⑮ Torque
- ⑯ Wear limit, clearance
- ⑰ Engine speed
- ⑱ Ω, V, A









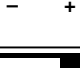

Illustrated symbols ⑲ to ㉔ in the exploded diagrams indicate the types of lubricants and lubrication points.

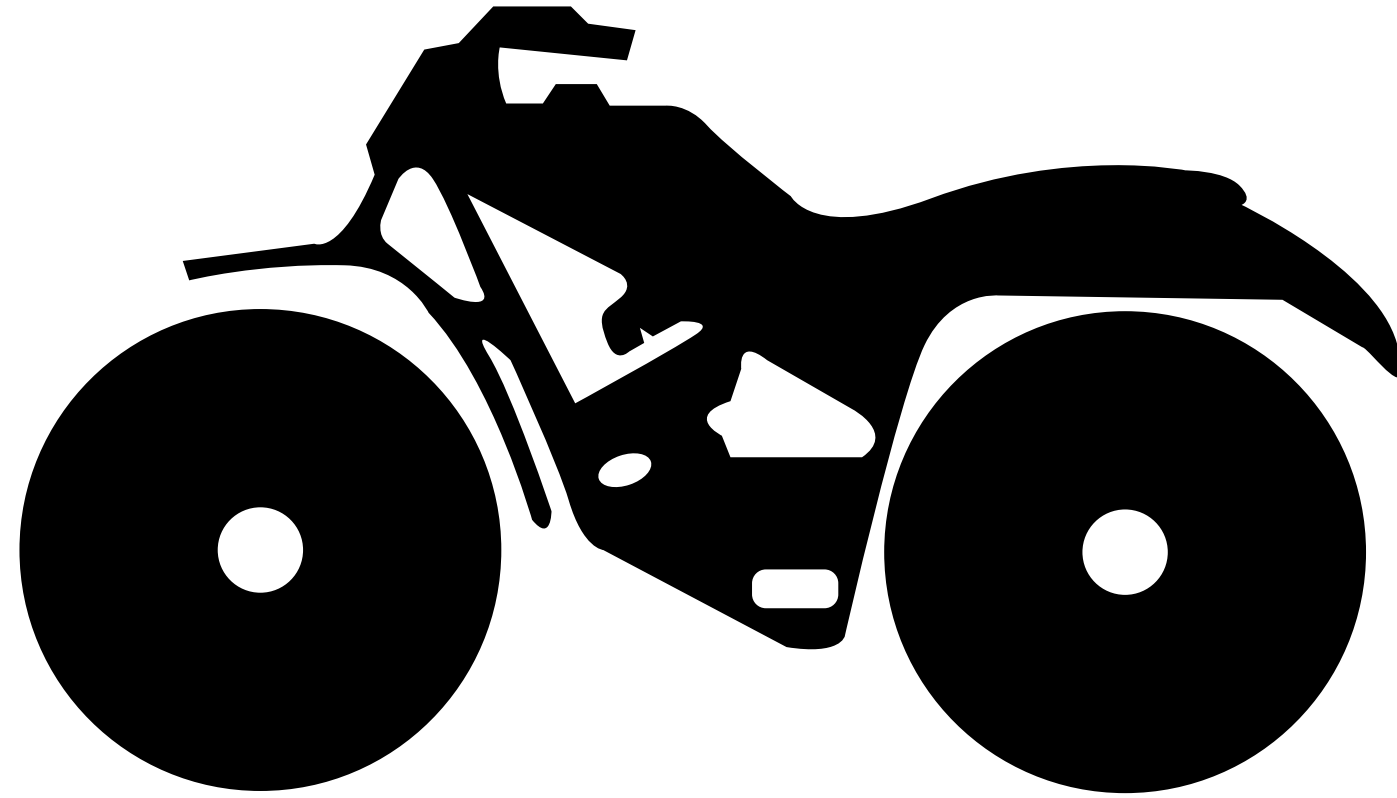
- ⑲ Apply engine oil
- ⑳ Apply gear oil
- ㉑ Apply molybdenum disulfide oil
- ㉒ Apply wheel bearing grease
- ㉓ Apply lithium-soap-based grease
- ㉔ Apply molybdenum disulfide grease

Illustrated symbols ㉕ to ㉖ in the exploded diagrams indicate where to apply a locking agent ㉕ and when to install a new part ㉖.

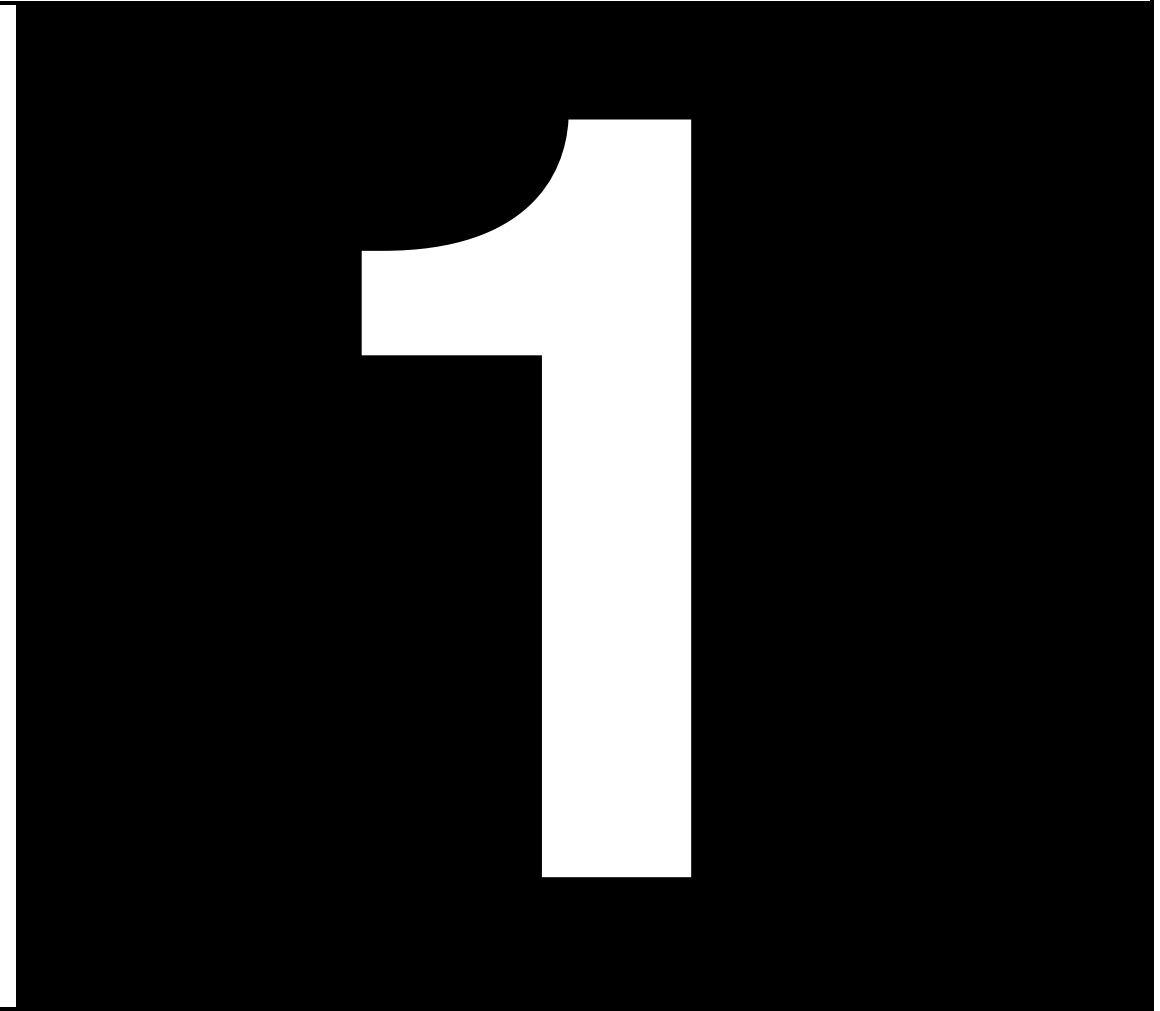
- ㉕ Apply the locking agent (LOCTITE®)
- ㉖ Replace

TABLE OF CONTENTS

GENERAL INFORMATION	
	GEN INFO 1
SPECIFICATIONS	
	SPEC 2
PERIODIC CHECKS AND ADJUSTMENTS	
	CHK ADJ 3
ENGINE	
	ENG 4
COOLING SYSTEM	
	COOL 5
CARBURETION	
	CARB 6
DRIVE TRAIN	
	DRIV 7
CHASSIS	
	CHAS 8
ELECTRICAL	
	ELEC 9
TROUBLESHOOTING	
	TRBL SHTG 10

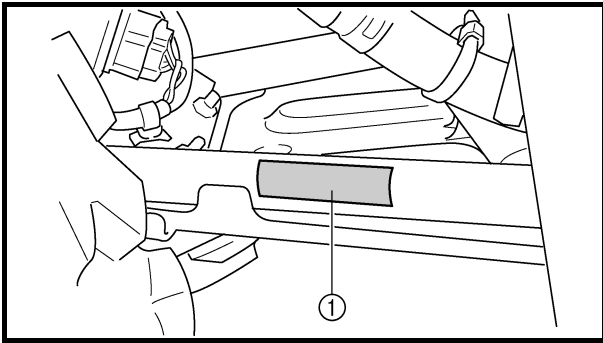


**GEN
INFO**



CHAPTER 1. GENERAL INFORMATION

MACHINE IDENTIFICATION	1-1
VEHICLE IDENTIFICATION NUMBER	1-1
MODEL LABEL	1-1
IMPORTANT INFORMATION	1-2
PREPARATION FOR REMOVAL PROCEDURES	1-2
REPLACEMENT PARTS	1-2
GASKETS, OIL SEALS AND O-RINGS	1-2
LOCK WASHERS/PLATES AND COTTER PINS	1-3
BEARINGS AND OIL SEALS	1-3
CIRCLIPS	1-3
CHECKING OF CONNECTIONS	1-4
SPECIAL TOOLS	1-5

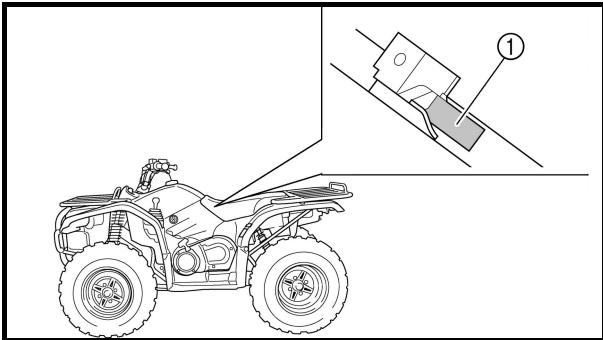


GENERAL INFORMATION

MACHINE IDENTIFICATION

VEHICLE IDENTIFICATION NUMBER

The vehicle identification number ① is stamped into the left side of the frame.



MODEL LABEL

The model label ① is affixed to the frame. This information will be needed to order spare parts.

EB101000

IMPORTANT INFORMATION

PREPARATION FOR REMOVAL

PROCEDURES

1. Remove all dirt, mud, dust and foreign material before removal and disassembly.
2. Use proper tools and cleaning equipment. Refer to the "SPECIAL TOOLS" section.
3. When disassembling the machine, always keep mated parts together. This includes gears, cylinder, piston and other parts that have been "mated" through normal wear. Mated parts must always be reused or replaced as an assembly.
4. During machine disassembly, clean all parts and place them in trays in the order of disassembly. This will speed up assembly and allow for the correct installation of all parts.
5. Keep all parts away from any source of fire.

EB101010

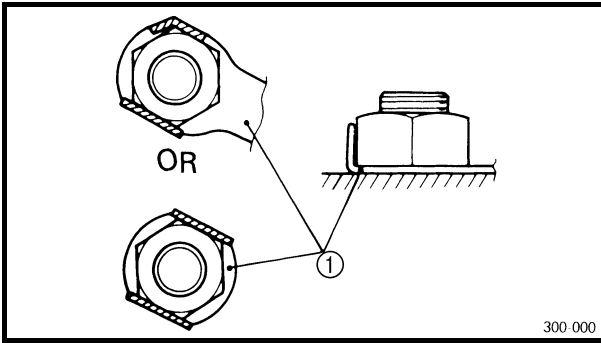
REPLACEMENT PARTS

1. Use only genuine Yamaha parts for all replacements. Use oil and grease recommended by Yamaha for all lubrication jobs. Other brands may be similar in function and appearance, but inferior in quality.

EB101020

GASKETS, OIL SEALS AND O-RINGS

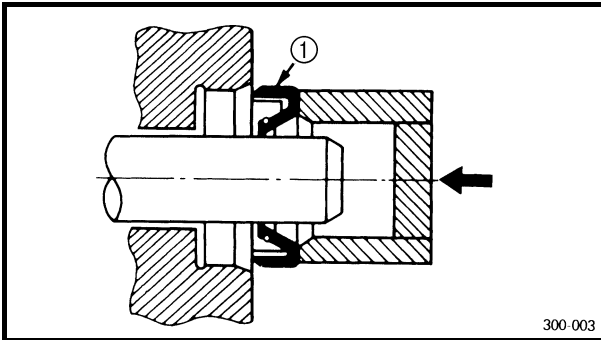
1. Replace all gaskets, seals and O-rings when overhauling the engine. All gasket surfaces, oil seal lips and O-rings must be cleaned.
2. Properly oil all mating parts and bearings during reassembly. Apply grease to the oil seal lips.



EB101030

LOCK WASHERS/PLATES AND COTTER PINS

1. Replace all lock washers/plates ① and cotter pins after removal. Bend lock tabs along the bolt or nut flats after the bolt or nut has been tightened to specification.



EB101040

BEARINGS AND OIL SEALS

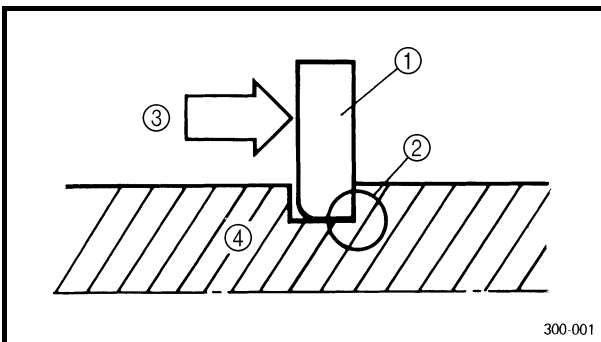
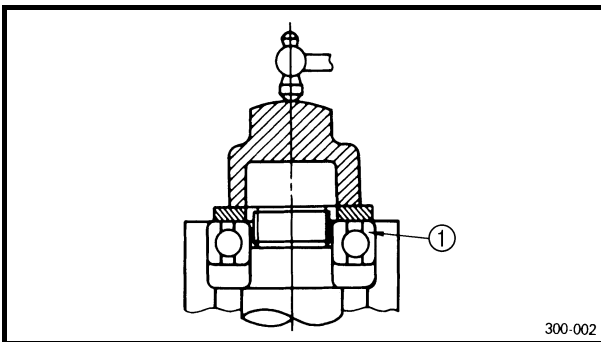
1. Install bearings and oil seals so that the manufacturer's marks or numbers are visible. When installing oil seals, apply a light coating of lightweight lithium base grease to the seal lips. Oil bearings liberally when installing, if appropriate.

① Oil seal

CAUTION:

Do not use compressed air to spin the bearings dry. This will damage the bearing surfaces.

① Bearing

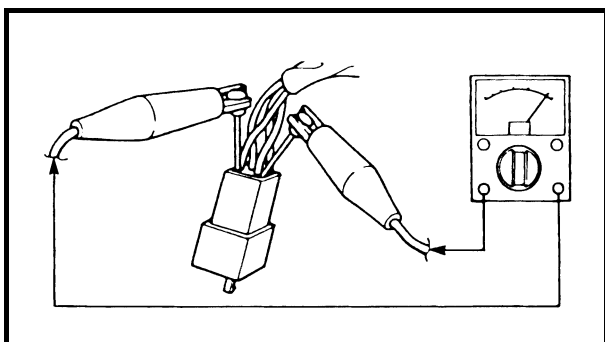
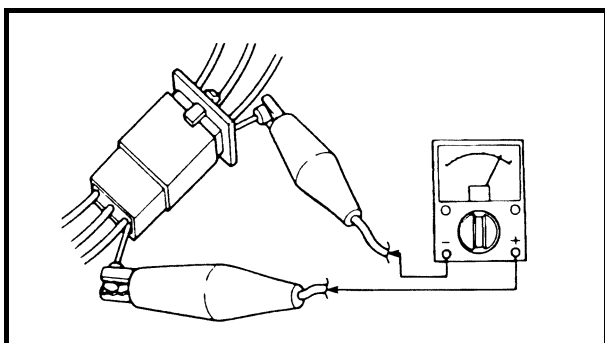
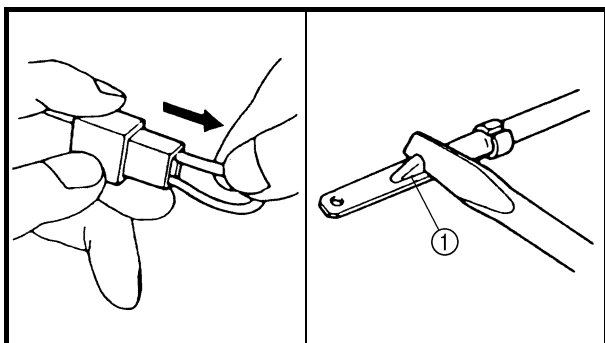
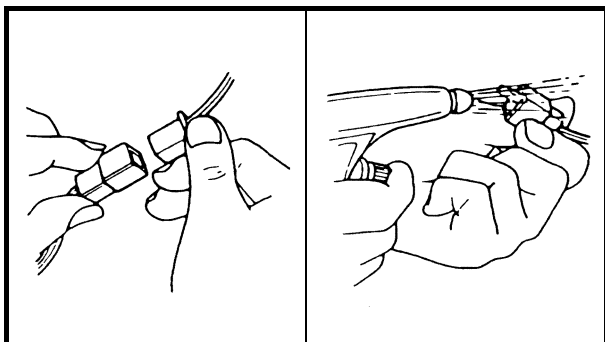


EB101050

CIRCLIPS

1. Check all circlips carefully before reassembly. Always replace piston pin clips after one use. Replace distorted circlips. When installing a circlip ①, make sure that the sharp-edged corner ② is positioned opposite the thrust ③ it receives. See sectional view.

④ Shaft



EB801000

CHECKING OF CONNECTIONS

Check the connectors for stains, rust, moisture, etc.

1. Disconnect:

- Connector

2. Check:

- Connector

Moisture → Dry each terminal with an air blower.

Stains/rust → Connect and disconnect the terminals several times.

3. Check:

- Connector leads

Looseness → Bend up the pin ① and connect the terminals.

4. Connect:

- Connector terminals

NOTE:

The two terminals “click” together.

5. Check:

- Continuity (using a pocket tester)

NOTE:

- If there is no continuity, clean the terminals.
- When checking the wire harness be sure to perform steps 1 to 3.
- As a quick remedy, use a contact revitalizer available at most part stores.
- Check the connector with a pocket tester as shown.

EB102001

SPECIAL TOOLS

The following special tools are necessary for complete and accurate tune-up and assembly. Use only the appropriate special tools; this will help prevent damage caused by the use of inappropriate tools or improvised techniques. Special tools may differ by shape and part number from country to country. In such a case, two types are provided.

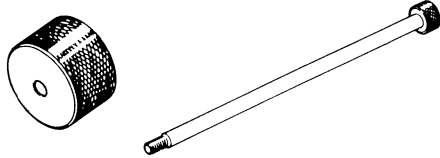
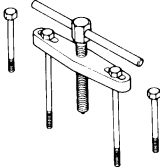
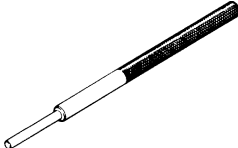
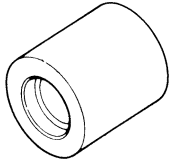
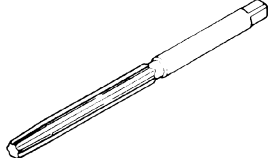
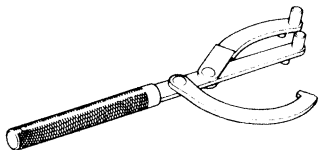
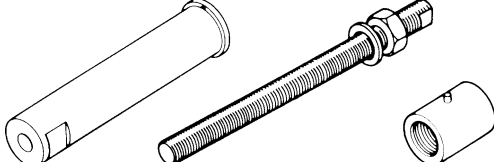
When placing an order, refer to the list provided below to avoid any mistakes.

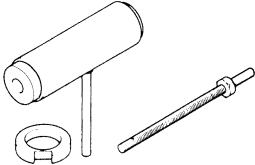

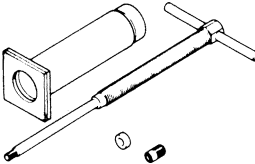
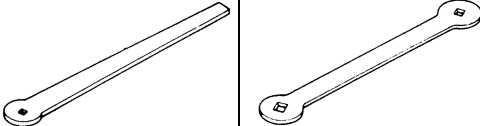

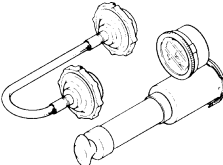
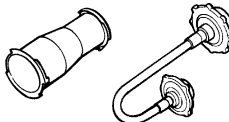
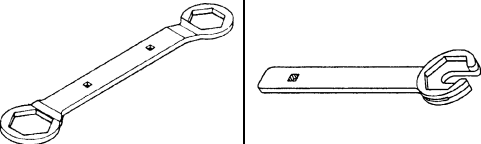
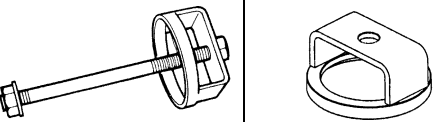
For US and CDN

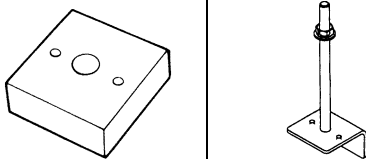
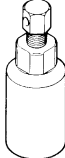
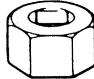
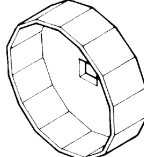

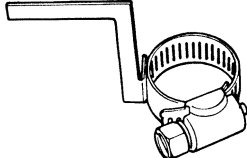
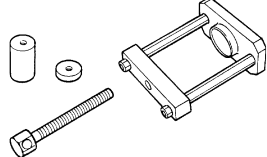

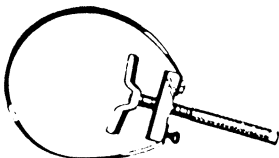
P/N. YM-, YU-, YS-, YK-, ACC-

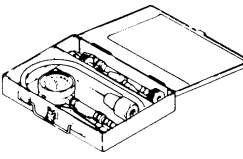
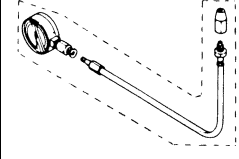

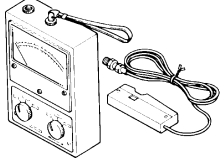
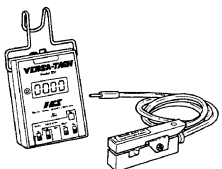
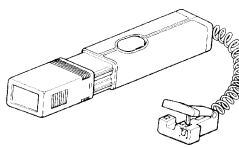
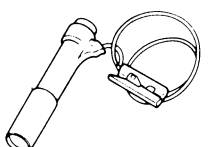
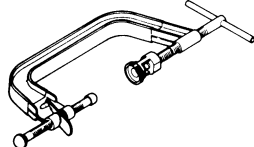
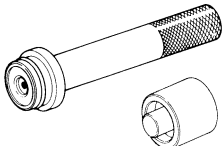
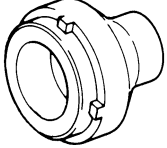
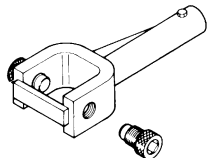
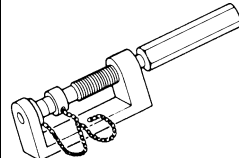
Except for US and CDN

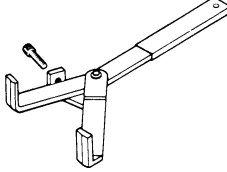
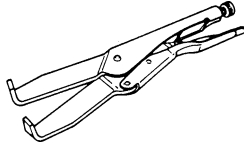
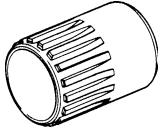
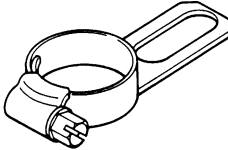
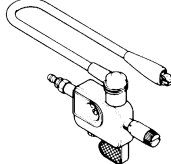
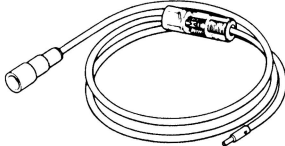

P/N. 90890-

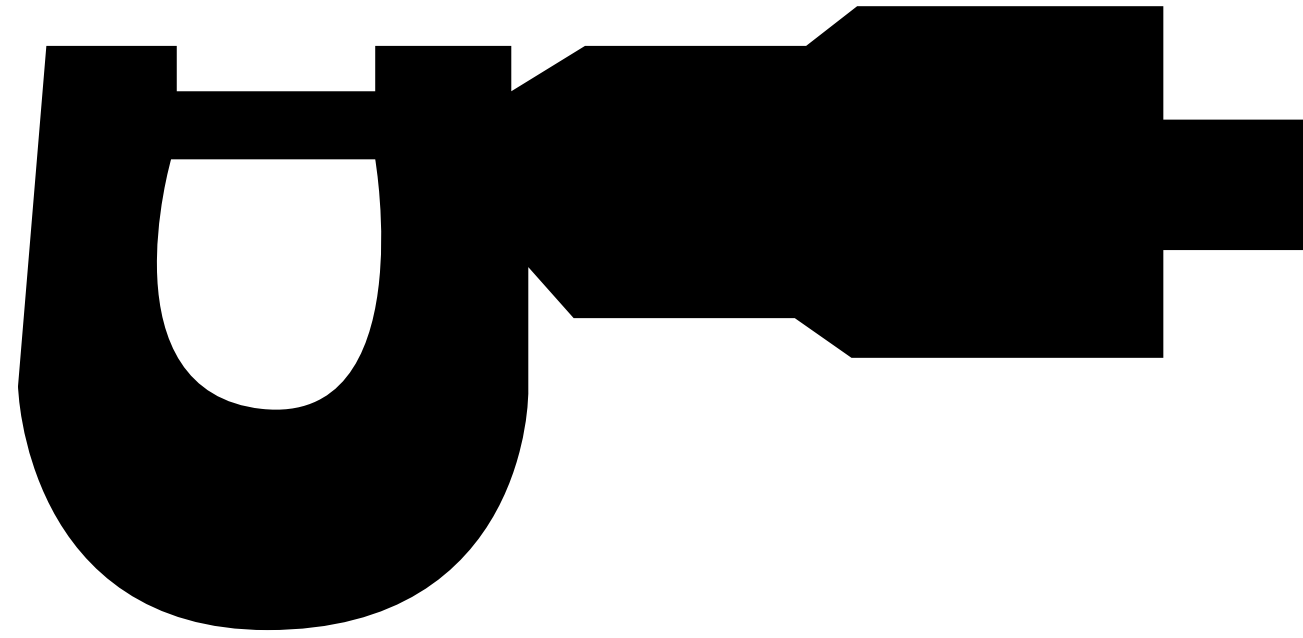
Tool No.	Tool name/How to use	Illustration
Bolt 90890-01083 Weight 90890-01084 Set YU-01083-A	Slide hammer bolt (M6)/weight/set These tools are used to remove the rocker arm shafts.	
90890-01135 YU-01135-A	Crankcase separating tool This tool is used to separate the crankcase.	
90890-01225 YM-01225-A	Valve guide remover (7.0 mm) This tool is needed to remove and install the valve guides.	
90890-04017 YM-04017	Valve guide installer (7.0 mm) This tool is needed to install the valve guides.	
90890-01227 YM-01227	Valve guide reamer (7.0 mm) This tool is needed to rebores the new valve guides.	
90890-01235 YU-01235	Rotor holding tool This tool is needed to hold the starter pulley when removing/installing the starter pulley bolt or camshaft sprocket bolt.	
90890-04088 Bolt 90890-01275	Buffer boss installer set Crankshaft installer bolt These tools are used to install the crankshaft.	

Tool No.	Tool name/How to use	Illustration	
YU-90050	Crankshaft installer set These tools are used to install the crankshaft.		
Adapter YM-33279 Spacer 90890-04060 YM-90070-A	Adapter #11 Spacer (crankshaft) These tools are used to install the crankshaft.		
90890-01304 YU-01304	Piston pin puller set This tool is used to remove the piston pin.		
90890-01311 YU-08035	Tappet adjusting tool This tool is necessary for adjusting the valve clearance.		
90890-01312 YM-01312-A	Fuel level gauge This gauge is used to measure the fuel level in the float chamber.		
90890-01325 YU-24460-01	Radiator cap tester This tool is used to check the cooling systems.		
90890-01352 YU-33984	Adapter This tool is used to check the cooling systems.		
90890-01348 YM-01348	Locknut wrench This tool is needed when removing or installing the secondary sheave spring.		
90890-04134 YM-04134	Sheave spring compressor This tool is needed when removing or installing the secondary sheave spring.		

Tool No.	Tool name/How to use	Illustration
90890-04135 YM-04135	Sheave fixed block This tool is needed when removing or installing the secondary sheave spring.	
90890-01404 YM-01404	Flywheel puller These tools are needed to remove the rotor.	
90890-01327 YM-01327	Damper rod holder (30 mm) This tool is needed to loosen and tighten the steering stem bearing retainers.	
90890-01426 YU-38411	Oil filter wrench This tool is needed to loosen or tighten the oil filter cartridge.	
90890-01430 YM-38404	Ring nut wrench This tool is needed to removing and installing the middle driven shaft bearing retainers.	
90890-01467 YM-01467 90890-01475 YM-01475	Gear lash measurement tool This tool is used to measure the gear lash.	
90890-01474 YM-01474	Ball joint remover/installer set This tool is used to remove and install the ball joints.	
YM-01477	Ball joint remover/installer attachment set This tool is used to remove and install the ball joints.	
90890-01701 YS-01880-A	Sheave holder This tool is needed to hold the primary sheave when removing or installing the sheave bolts.	

Tool No.	Tool name/How to use	Illustration	
Compression gauge 90890-03081 YU-33223 Adapter 90890-04082 YU-33223-3	Compression gauge Adapter These tools are needed to measure engine compression.		
90890-03112 YU-03112-C	Pocket tester This instrument is needed for checking the electrical system.		
90890-03113	Engine tachometer This tool is needed for observing engine rpm.		
YU-8036-B	Inductive self-powered tachometer This tool is needed for observing engine rpm.		
90890-03141 YM-33277-A	Timing light This tool is necessary for checking ignition timing.		
90890-04019 YM-04019	Valve spring compressor This tool is needed to remove and install the valve assemblies.		
Middle driven shaft bearing driver 90890-04058 YM-04058-1 Mechanical seal installer 90890-04078 YM-33221	Middle driven shaft bearing driver Mechanical seal installer These tools are used to install the water pump seals.		
90890-04050 YM-04050	Bearing retainer wrench This tool is needed when removing or installing the final drive shaft bearing retainers.		
90890-04062 YM-04062	Universal joint holder This tool is needed when removing or installing the universal joint yoke nuts.		

Tool No.	Tool name/How to use	Illustration	
90890-04086 YM-91042	Clutch holding tool This tool is needed to hold the clutch carrier when removing or installing the carrier nut.		
90890-04128 YM-04128	Bearing retainer wrench This tool is needed when removing or installing the middle driven pinion gear bearing retainers.		
90890-04129 YM-04129	Pinion gear fix clamp This tool is used to hold the shift cam.		
90890-06754	Ignition checker This instrument is necessary for checking the ignition system components.		
YM-34487	Dynamic spark tester This instrument is necessary for checking the ignition system components.		
Bond 90890-85505 Sealant ACC-11001-05-01	Yamaha bond No. 1215 Sealant (Quick Gasket®) This sealant (bond) is used on crankcase mating surfaces, etc.		



SPEC

2

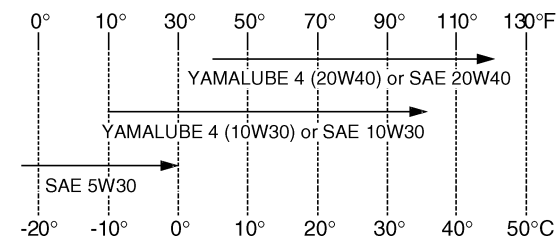
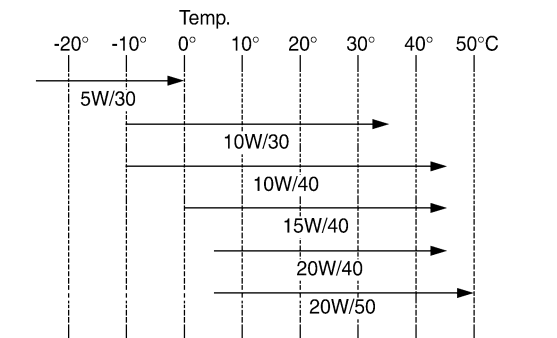
CHAPTER 2. SPECIFICATIONS

GENERAL SPECIFICATIONS	2-1
MAINTENANCE SPECIFICATIONS	2-4
ENGINE	2-4
CHASSIS	2-14
ELECTRICAL	2-18
HOW TO USE THE CONVERSION TABLE	2-20
GENERAL TORQUE SPECIFICATIONS	2-20
LUBRICATION POINTS AND LUBRICANT TYPES	2-21
ENGINE	2-21
COOLANT FLOW DIAGRAMS	2-22
OIL FLOW DIAGRAMS	2-24
CABLE ROUTING	2-27



SPECIFICATIONS

GENERAL SPECIFICATIONS

Item	Standard
Model code:	5TE2 (For CDN) 5TE3 (For Europe) 5TE4 (For Oceania)
Dimensions: Overall length Overall width Overall height Seat height Wheelbase Minimum ground clearance Minimum turning radius	1,984 mm (78.1 in) 1,085 mm (42.7 in) 1,120 mm (44.1 in) 827 mm (32.6 in) 1,233 mm (48.5 in) 245 mm (9.7 in) 3,000 mm (118.1 in)
Basic weight: With oil and full fuel tank	265 kg (584 lb)
Engine: Engine type Cylinder arrangement Displacement Bore × stroke Compression ratio Standard compression pressure (at sea level) Starting system	Liquid-cooled 4-stroke, SOHC Forward-inclined single cylinder 401 cm ³ 84.5 × 71.5 mm (3.33 × 2.81 in) 10.5 : 1 1,400 kPa (14.0 kg/cm ² , 203 psi) at 750 r/min Electric and recoil starter
Lubrication system:	Wet sump
Oil type or grade: Engine oil For CDN  For Europe, Oceania  Final gear oil Differential gear oil	API service SE, SF, SG type or higher SAE 80API "GL-4" Hypoid Gear Oil SAE 80API "GL-4" Hypoid Gear Oil

GENERAL SPECIFICATIONS

SPEC



Item	Standard
Oil capacity:	
Engine oil	
Periodic oil change	2.3 L (2.0 Imp qt, 2.4 US qt)
With oil filter replacement	2.4 L (2.1 Imp qt, 2.5 US qt)
Total amount	2.6 L (2.3 Imp qt, 2.7 US qt)
Final gear case oil	
Periodic oil change	0.23 L (0.20 Imp qt, 0.24 US qt)
Total amount	0.25 L (0.22 Imp qt, 0.26 US qt)
Differential gear case oil	
Periodic oil change	0.35 L (0.31 Imp qt, 0.37 US qt)
Total amount	0.40 L (0.35 Imp qt, 0.42 US qt)
Radiator capacity (including all routes)	1.32 L (1.16 Imp qt, 1.40 US qt)
Air filter:	Wet type element
Fuel:	
Type	Unleaded fuel
Fuel tank capacity	15 L (3.3 Imp gal, 3.9 US gal)
Fuel reserve amount	4.5 L (0.99 Imp gal, 1.19 US gal)
Carburetor:	
Type/quantity	BSR33/1
Manufacturer	MIKUNI
Spark plug:	
Type/manufacturer	DR8EA/NGK
Spark plug gap	0.6 ~ 0.7 mm (0.024 ~ 0.028 in)
Clutch type:	Wet, centrifugal automatic
Transmission:	
Primary reduction system	V-belt
Secondary reduction system	Spur gear
Secondary reduction ratio	39/24 × 24/18 × 33/9 (7.944)
Transmission type	V-belt automatic
Operation	Left hand operation
Single speed automatic	2.55 ~ 0.75 : 1
Sub transmission ratio	38/23 (1.652)
Reverse gear	29/17 (1.706)
Chassis:	
Frame type	Steel tube frame
Caster angle	4°
Camber angle	1°
Kingpin angle	11°
Kingpin offset	0 mm (0 in)
Trail	21 mm (0.83 in)
Tread (STD)	850 mm (33.46 in)
front	
rear	825 mm (32.48 in)
Toe-in	0 ~ 10 mm (0 ~ 0.39 in)

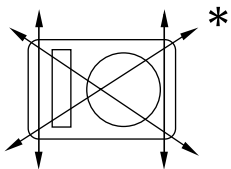
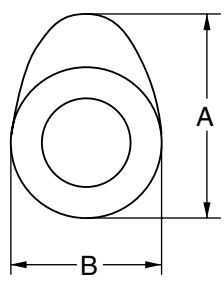
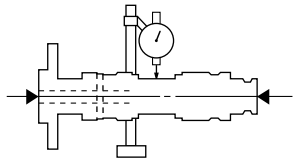
GENERAL SPECIFICATIONS

SPEC

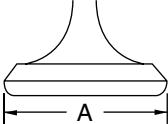
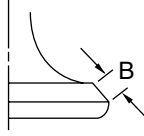
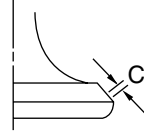
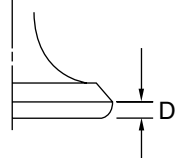


Item	Standard
Tires: Type Size Manufacturer Type	Tubeless front AT25 × 8–12 rear AT25 × 10–12 front MAXXIS (For CDN and Europe) CHENG SHIN (For Oceania) rear MAXXIS (For CDN and Europe) CHENG SHIN (For Oceania) front M911Y rear M912Y
Tire pressure (cold tire): Maximum load* Off-road riding *Load in total weight of rider accessories	210 kg (463 lb) front 22 ~ 28 kPa (0.22 ~ 0.28 kg/cm ² , 3.2 ~ 4.0 psi) rear 22 ~ 28 kPa (0.22 ~ 0.28 kg/cm ² , 3.2 ~ 4.0 psi)
Brakes: Front brake Rear brake	type operation type operation Dual disc brake Right hand operation Drum brake Left hand and right foot operation
Suspension: Front suspension Rear suspension	Double wishbone Swingarm (monocross)
Shock absorbers: Front shock absorber Rear shock absorber	Coil spring/oil damper Coil spring/oil damper
Wheel travel: Front wheel travel Rear wheel travel	160 mm (6.30 in) 180 mm (7.09 in)
Electrical: Ignition system Generator system Battery type Battery capacity	D.C. C.D.I. A.C. magneto YTX14AH (For CDN and Europe) YTX20L-BS (For Oceania) 12 V 12 Ah (For CDN and Europe) 12 V 18 Ah (For Oceania)
Headlight type:	Halogen bulb
Bulb wattage × quantity: Headlight Tail/brake light Meter light Indicator lights Neutral Reverse Coolant temperature Four-wheel drive	12 V 30 W/30 W × 2 12 V 5 W/21 W 14 V 3 W × 1 12 V 1.7 W × 1 12 V 1.7 W × 1 12 V 1.7 W × 1 14 V 1.7 W × 1

**MAINTENANCE SPECIFICATIONS
ENGINE**

Item	Standard	Limit
Cylinder head: Warp limit 	----	0.03 mm (0.0012 in)
Cylinder: Bore size Taper limit Out of round limit	84.500 ~ 84.510 mm (3.3268 ~ 3.3272 in) ---- ----	84.600 mm (3.3307 in) 0.05 mm (0.0016 in) 0.01 mm (0.0004 in)
Camshaft: Drive method Cam dimensions  Intake Exhaust Camshaft runout limit 	Chain drive (left) ---- "A" 40.62 ~ 40.72 mm (1.5992 ~ 1.6031 in) "B" 32.18 ~ 32.28 mm (1.2669 ~ 1.2709 in) "A" 40.62 ~ 40.72 mm (1.5992 ~ 1.6031 in) "B" 32.18 ~ 32.28 mm (1.2669 ~ 1.2709 in) ----	---- 40.52 mm (1.5953 in) 32.08 mm (1.2630 in) 40.52 mm (1.5953 in) 32.08 mm (1.2630 in) 0.03 mm (0.0012 in)



Item	Standard	Limit	
Cam chain:			
Cam chain type/No. of links	DID SCR-0409 SDH/116	----	
Cam chain adjustment method	Automatic	----	
Rocker arm/rocker arm shaft:			
Bearing inside diameter	12.000 ~ 12.018 mm (0.4724 ~ 0.4731 in)	12.078 mm (0.4755 in)	
Shaft outside diameter	11.981 ~ 11.991 mm (0.4717 ~ 0.4721 in)	11.951 mm (0.4705 in)	
Arm-to-shaft clearance	0.009 ~ 0.037 mm (0.0004 ~ 0.0015 in)	0.080 mm (0.0031 in)	
Valves, valve seats, valve guides:			
Valve clearance (cold)			
IN	0.06 ~ 0.10 mm (0.0024 ~ 0.0039 in)	----	
EX	0.16 ~ 0.20 mm (0.0063 ~ 0.0079 in)	----	
Valve dimensions			
			
Head Diameter	Face Width	Seat Width	Margin Thickness
"A" head diameter	IN	39.9 ~ 40.1 mm (1.5708 ~ 1.5787 in)	----
	EX	33.9 ~ 34.1 mm (1.3346 ~ 1.3425 in)	----
"B" face width	IN	2.26 mm (0.0890 in)	----
	EX	2.26 mm (0.0890 in)	----
"C" seat width	IN	1.2 ~ 1.4 mm (0.0472 ~ 0.0551 in)	1.6 mm (0.0630 in)
	EX	1.2 ~ 1.4 mm (0.0472 ~ 0.0551 in)	1.6 mm (0.0630 in)
"D" margin thickness	IN	1.0 ~ 1.4 mm (0.0394 ~ 0.0551 in)	----
	EX	0.8 ~ 1.2 mm (0.0315 ~ 0.0472 in)	----
Stem outside diameter	IN	6.975 ~ 6.990 mm (0.2746 ~ 0.2752 in)	6.950 mm (0.2736 in)
	EX	6.955 ~ 6.970 mm (0.2738 ~ 0.2744 in)	6.915 mm (0.2722 in)
Guide inside diameter	IN	7.000 ~ 7.012 mm (0.2756 ~ 0.2761 in)	7.030 mm (0.2768 in)
	EX	7.000 ~ 7.012 mm (0.2756 ~ 0.2761 in)	7.030 mm (0.2768 in)
Stem-to-guide clearance	IN	0.010 ~ 0.037 mm (0.0004 ~ 0.0015 in)	0.080 mm (0.0031 in)
	EX	0.030 ~ 0.057 mm (0.0012 ~ 0.0022 in)	0.100 mm (0.0039 in)

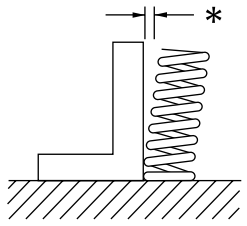
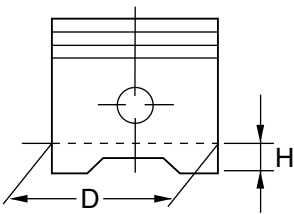
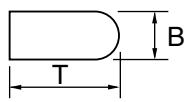
MAINTENANCE SPECIFICATIONS

SPEC

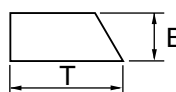
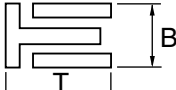
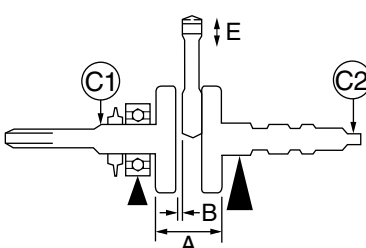


Item		Standard	Limit
Stem runout limit		----	0.01 mm (0.0004 in)
Valve seat width	IN	1.2 ~ 1.4 mm (0.0472 ~ 0.0551 in)	----
	EX	1.2 ~ 1.4 mm (0.0472 ~ 0.0551 in)	----
Valve spring:			
Inner spring			
Free length	IN	39.9 mm (1.57 in)	37.9 mm (1.49 in)
	EX	39.9 mm (1.57 in)	37.9 mm (1.49 in)
Set length (valve closed)	IN	33.6 mm (1.32 in)	----
	EX	33.6 mm (1.32 in)	----
Compressed pressure (installed)	IN	104.9 ~ 120.6 N (10.70 ~ 12.30 kg, 23.58 ~ 27.11 lb)	----
	EX	104.9 ~ 120.6 N (10.70 ~ 12.30 kg, 23.58 ~ 27.11 lb)	----
Tilt limit *	IN		2.5°/1.6 mm (2.5°/0.06 in)
	EX		2.5°/1.6 mm (2.5°/0.06 in)
Direction of winding (top view)	IN	Counterclockwise	----
	EX	Counterclockwise	----
Outer spring			
Free length	IN	43.27 mm (1.70 in)	41.27 mm (1.62 in)
	EX	43.27 mm (1.70 in)	41.27 mm (1.62 in)
Set length (valve closed)	IN	36.6 mm (1.44 in)	----
	EX	36.6 mm (1.44 in)	----
Compressed pressure (installed)	IN	235.4 ~ 251.1 N (24.00 ~ 25.60 kg, 52.91 ~ 56.45 lb)	----
	EX	235.4 ~ 251.1 N (24.00 ~ 25.60 kg, 52.91 ~ 56.45 lb)	----



Item	Standard	Limit
<p>Tilt limit *</p> <p>IN</p> <p>EX</p>  <p>Direction of winding (top view)</p> <p>IN</p> <p>EX</p>	<p>Clockwise</p> <p>Clockwise</p>	<p>2.5°/1.6 mm (2.5°/0.06 in)</p> <p>2.5°/1.6 mm (2.5°/0.06 in)</p> <p>----</p> <p>----</p>
<p>Piston:</p> <p>Piston to cylinder clearance</p> <p>Piston size "D"</p>  <p>Measuring point "H"</p> <p>Piston offset</p> <p>Offset direction</p> <p>Piston pin bore inside diameter</p> <p>Piston pin outside diameter</p>	<p>0.040 ~ 0.065 mm (0.0016 ~ 0.0026 in)</p> <p>84.445 ~ 84.460 mm (3.3246 ~ 3.3252 in)</p> <p>5 mm (0.20 in)</p> <p>0.5 mm (0.0200 in)</p> <p>Intake side</p> <p>20.004 ~ 20.015 mm (0.7876 ~ 0.7880 in)</p> <p>19.991 ~ 20.000 mm (0.7870 ~ 0.7874 in)</p>	<p>0.150 mm (0.0059 in)</p> <p>----</p> <p>----</p> <p>----</p> <p>20.045 mm (0.7892 in)</p> <p>19.971 mm (0.7863 in)</p>
<p>Piston rings:</p> <p>Top ring</p>  <p>Type</p> <p>Dimensions (B × T)</p> <p>End gap (installed)</p> <p>Side clearance (installed)</p>	<p>Barrel</p> <p>1.2 × 3.1 mm (0.04724 × 0.1220 in)</p> <p>0.20 ~ 0.40 mm (0.0079 ~ 0.0157 in)</p> <p>0.03 ~ 0.08 mm (0.0012 ~ 0.0031 in)</p>	<p>----</p> <p>----</p> <p>0.65 mm (0.0256 in)</p> <p>0.13 mm (0.0051 in)</p>



Item	Standard	Limit
<p>2nd ring</p>  <p>Type</p> <p>Dimensions (B × T)</p> <p>End gap (installed)</p> <p>Side clearance</p> <p>Oil ring</p>  <p>Dimensions (B × T)</p> <p>End gap (installed)</p>	<p>Taper</p> <p>1.2 × 3.6 mm (0.04724 × 0.1417 in)</p> <p>0.40 ~ 0.60 mm (0.0157 ~ 0.0236 in)</p> <p>0.03 ~ 0.07 mm (0.0012 ~ 0.0028 in)</p> <p>2.8 × 2.8 mm (0.1102 × 0.1102 in)</p> <p>0.2 ~ 0.7 mm (0.0079 ~ 0.0276 in)</p>	<p>----</p> <p>----</p> <p>0.95 mm (0.0374 in)</p> <p>0.13 mm (0.0051 in)</p> <p>----</p> <p>----</p>
<p>Crankshaft:</p>  <p>Crank width "A"</p> <p>Runout limit C1</p> <p>C2</p> <p>Big end side clearance "B"</p> <p>Big end radial clearance "E"</p>	<p>62.95 ~ 63.00 mm (2.4783 ~ 2.4803 in)</p> <p>----</p> <p>----</p> <p>0.25 ~ 0.75 mm (0.0098 ~ 0.0295 in)</p> <p>0.010 ~ 0.025 mm (0.0004 ~ 0.0010 in)</p>	<p>----</p> <p>0.03 mm (0.0012 in)</p> <p>0.03 mm (0.0012 in)</p> <p>1.00 mm (0.0394 in)</p> <p>----</p>
<p>Balancer:</p> <p>Balancer drive method</p>	<p>Gear</p>	<p>----</p>
<p>Automatic centrifugal clutch:</p> <p>Clutch shoe thickness</p> <p>Clutch-in revolution</p> <p>Clutch-stall revolution</p>	<p>1.5 mm (0.06 in)</p> <p>1,960 ~ 2,240 r/min</p> <p>3,300 ~ 3,900 r/min</p>	<p>1.0 mm (0.04 in)</p> <p>----</p> <p>----</p>

MAINTENANCE SPECIFICATIONS

SPEC

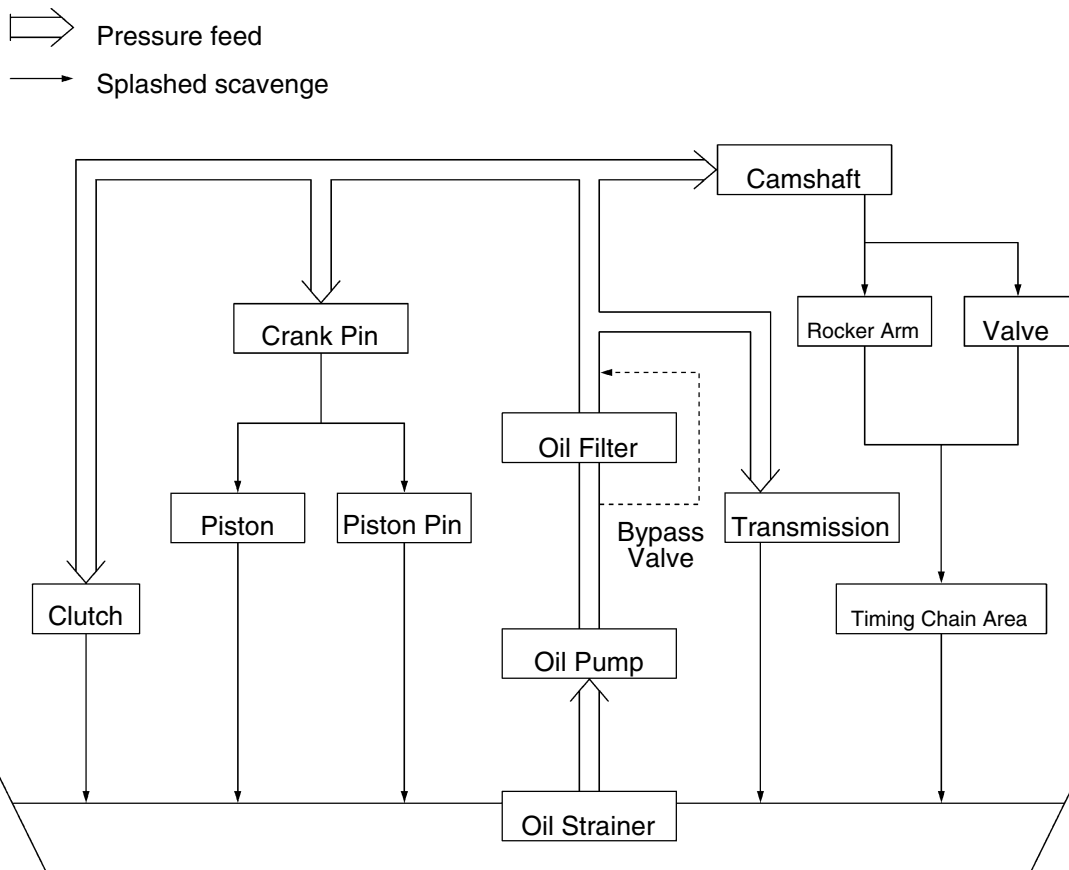


Item	Standard	Limit
Transmission:		
Main axle deflection limit	----	0.06 mm (0.0024 in)
Drive axle deflection limit	----	0.06 mm (0.0024 in)
Shifter:		
Shifter type	Shift cam and guide bar	----
Air filter oil grade:	Engine oil	----
Carburetor:		
I. D. mark	5TE1 00	----
Main jet (M.J)	#132.5	----
Main air jet (M.A.J)	#50	----
Jet needle (J.N)	5EP13-55-3	----
Needle jet (N.J)	P-0M	----
Pilot air jet (P.A.J.1)	#80	----
Pilot air jet (P.A.J.2)	1.3	----
Pilot outlet (P.O)	0.95	----
Pilot jet (P.J)	#17.5	----
Bypass 1 (B.P.1)	0.8	----
Bypass 2 (B.P.2)	0.8	----
Bypass 3 (B.P.3)	0.8	----
Pilot screw (P.S.)	2-1/2 turns out	----
Valve seat size (V.S)	2.0	----
Starter jet (G.S.1)	#75	----
Starter jet (G.S.2)	0.9	----
Throttle valve size (Th.V)	#90	----
Float height (F.H)	13 mm (0.51 in)	----
Fuel level (F.L)	4.0 ~ 5.0 mm (0.16 ~ 0.20 in)	----
Engine idle speed	1,450 ~ 1,550 r/min	----
Intake vacuum	32 kPa (240 mmHg, 9.45 inHg)	----
Oil pump:		
Oil filter type	Foam	----
Oil pump type	Trochoid	----
Tip clearance "A" or "B"	0.15 mm (0.006 in)	0.20 mm (0.008 in)
Side clearance	0.04 ~ 0.09 mm (0.002 ~ 0.004 in)	----
Bypass valve setting pressure	78 ~ 118 kPa (0.78 ~ 1.18 kg/cm ² , 11.3 ~ 17.11 psi)	----
Oil pressure (hot)	7 kPa (0.07 kg/cm ² , 1.02 psi) at 1,500 r/min	----
Pressure check location	Cylinder head	----

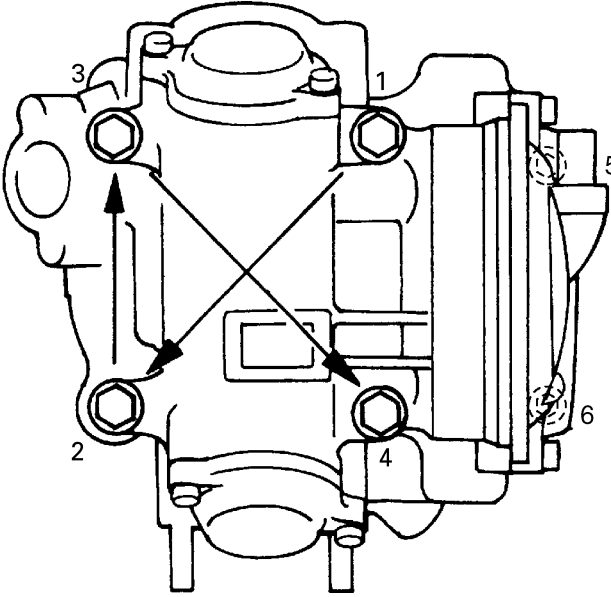


Item	Standard	Limit
Cooling system: Radiator core Width Height Thickness Radiator cap opening pressure Radiator capacity Coolant reservoir Capacity From low to full level	 300 mm (11.8 in) 208 mm (8.19 in) 26 mm (1.02 in) 93.7 ~ 122.6 kPa (0.937 ~ 1.226 kg/cm ² , 13.32 ~ 17.43 psi) 0.70 L (0.62 Imp qt, 0.74 US qt) 0.39 L (0.34 Imp qt, 0.41 US qt) 0.15 L (0.13 Imp qt, 0.16 US qt)	 ---- ---- ---- ---- ---- ---- ----
Water pump: Type Reduction ratio	Single-suction centrifugal pump 38/32 (1.188)	----
Thermostat: Valve opening temperature Valve full open temperature Valve lift-full open	63.5 ~ 66.5 °C (146.3 ~ 151.7 °F) 80 °C (176 °F) 3 mm (0.12 in)	---- ---- ----
Shaft drive: Middle gear backlash Final gear backlash Differential gear backlash	0.1 ~ 0.3 mm (0.004 ~ 0.012 in) 0.1 ~ 0.2 mm (0.004 ~ 0.008 in) 0.10 ~ 0.50 mm (0.004 ~ 0.020 in)	---- ---- ----

Lubrication chart:





Item	Standard	Limit
<p>Cylinder head tightening sequence:</p> 		



Tightening torques

Part to be tightened	Part name	Thread size	Q'ty	Tightening torque			Remarks
				Nm	m·kg	ft·lb	
Cylinder head oil passage	Union bolt	M6	1	7	0.7	5.1	
Cylinder head (exhaust pipe)	Stud bolt	M8	2	15	1.5	11	
Cylinder head	Bolt	M10	4	40	4.0	29	
	Bolt	M6	2	10	1.0	7.2	
Camshaft sprocket cover baffle plate	Bolt	M6	2	10	1.0	7.2	
Camshaft bearing retainer	Bolt	M6	2	8	0.8	5.8	
Spark plug	—	M12	1	18	1.8	13	
Coolant drain bolt (cylinder)	Bolt	M6	1	10	1.0	7.2	
Starter clutch	Bolt	M10	1	50	5.0	36	
Camshaft sprocket	Bolt	M10	1	60	6.0	43	
Timing chain tensioner cap	Bolt	M11	1	23	2.3	17	
Timing chain tensioner	Bolt	M6	2	11	1.1	8.0	
Timing chain guide (intake)	Bolt	M6	2	10	1.0	7.2	
Valve adjusting screw	Nut	M7	2	20	2.0	14	
Radiator	Bolt	M6	2	7	0.7	5.1	
Oil pump assembly	Screw	M6	3	8	0.8	5.8	
Oil pump	Screw	M6	1	7	0.7	5.1	
Oil strainer cover	Plug	M35	1	32	3.2	23	
Oil drain bolt	Bolt	M14	1	23	2.3	17	
Oil pump drive gear	Nut	M14	1	50	5.0	36	
Oil delivery pipe	Union bolt	M8	2	18	1.8	13	
Oil filter bolt	Union bolt	M20	1	63	6.3	45	
Oil filter cartridge	—	M20	1	17	1.7	12	
Intake manifold	Bolt	M8	2	20	2.0	14	
Muffler and exhaust pipe	Bolt	M8	2	15	1.5	11	
Exhaust pipe	Nut	M8	2	20	2.0	14	
Muffler	Bolt	M10	2	25	2.5	18	
Exhaust pipe bracket	Bolt	M6	2	14	1.4	10	
Crankcase cover	Screw	M6	4	8	0.8	5.8	
Oil seal retainer	Screw	M5	3	7	0.7	5.1	
Drive belt case cover	Bolt	M6	12	10	1.0	7.2	
Crankcase oil passage plug	Plug	M18	1	55	5.5	40	
Bearing retainer (right crankcase)	Screw	M6	1	11	1.1	8.0	
Plug (right crankcase)	Bolt	M8	1	15	1.5	11	
Bearing retainer (left crankcase)	Bolt	M6	2	10	1.0	7.2	
Crankcase cover (left)	Bolt	M6	12	10	1.0	7.2	
Recoil starter	Bolt	M6	4	10	1.0	7.2	
Starter one-way clutch	Bolt	M8	6	30	3.0	22	
Clutch carrier assembly	Nut	M22	1	140	14	100	Stake
Middle drive shaft bearing retainer	Torx screw	M8	4	25	2.5	18	

MAINTENANCE SPECIFICATIONS

SPEC



Part to be tightened	Part name	Thread size	Q'ty	Tightening torque			Remarks
				Nm	m.kg	ft.lb	
Middle driven shaft drive pinion gear	Nut	M22	1	130	13	94	Stake
Middle drive shaft bearing housing	Bolt	M8	6	32	3.2	23	
Middle driven gear bearing retainer	Nut	M65	1	110	11	80	Left-hand threads
Yoke (middle driven gear)	Nut	M14	1	97	9.7	70	
Middle driven gear bearing housing	Bolt	M8	4	25	2.5	18	
Middle driven shaft bearing retainer	Nut	M55	1	80	8.0	58	Left-hand threads
Shift rod	Nut	M8	2	15	1.5	11	
Primary sliding sheave assembly	Nut	M16	1	100	10.0	72	
Secondary sheave assembly	Nut	M16	1	100	10.0	72	
Secondary sheave spring retainer	Nut	M36	1	90	9.0	65	
Shift lever 2	Bolt	M6	1	14	1.4	10	
Shift control cable	—	M12	1	6	0.6	4.3	
Select lever unit	Bolt	M8	3	15	1.5	11	
Shift cam stopper	—	M14	1	18	1.8	13	
CDI unit	Screw	M6	1	2	0.2	1.4	
Neutral switch	—	M10	1	20	2.0	14	
Reverse switch	—	M10	1	20	2.0	14	
Stator assembly	Screw	M6	3	7	0.7	5.1	
Pickup coil	Bolt	M5	2	7	0.7	5.1	
Ignition coil	Bolt	M6	2	7	0.7	5.1	
Thermo switch (cylinder head)	—	PT1/8	1	8	0.8	5.8	
Speed sensor	Bolt	M6	1	10	1.0	7.2	
Thermo switch (radiator)	—	M18	1	28	2.8	20	
Tappet covers	Bolt	M6	4	10	1.0	7.2	
Coolant drain bolt (water pump)	Bolt	M6	1	10	1.0	7.2	
Coolant inlet joint	Bolt	M6	2	10	1.0	7.2	
Bearing housing	Bolt	M6	1	10	1.0	7.2	
Primary pulley sheave cap	Screw	M4	4	3	0.3	2.2	
Clutch housing assembly	Bolt	M6	8	10	1.0	7.2	
Clutch housing assembly cover	Bolt	M6	5	10	1.0	7.2	
Starter motor	Bolt	M6	2	10	1.0	7.2	
Engine side cover bracket	Bolt	M6	2	10	1.0	7.2	
Crankcase	Bolt	M6	17	10	1.0	7.2	
Thermostat cover	Bolt	M6	2	10	1.0	7.2	
Water pump outlet pipe	Bolt	M6	1	10	1.0	7.2	
Water pump assembly	Bolt	M6	2	10	1.0	7.2	
Gear unit	Bolt	M6	2	10	1.0	7.2	
	Screw	M6	1	7	0.7	5.1	



CHASSIS

Item	Standard	Limit
Steering system:		
Steering bearing type	Ball and race bearing	----
Front suspension:		
Shock absorber travel	99 mm (3.90 in)	----
Fork spring free length	265 mm (10.43 in)	----
Spring fitting length	215.8 mm (8.50 in)	----
Spring rate (K1)	15 N/mm (1.53 kg/mm, 85.68 lb/in)	----
Stroke (K1)	0 ~ 99 mm (0 ~ 3.90 in)	----
Optional spring	No	----
Rear suspension:		
Shock absorber travel	126 mm (4.96 in)	----
Spring free length	317 mm (12.48 in)	----
Spring fitting length	283 mm (11.14 in)	----
Spring rate (K1)	30.4 N/mm (3.10 kg/mm, 173.60 lb/in)	----
Stroke (K1)	0 ~ 126 mm (0 ~ 4.96 in)	----
Optional spring	No	----
Swingarm:		
Free play limit		
end	----	1 mm (0.04 in)
side	----	1 mm (0.04 in)
Front wheel:		
Type	Panel wheel	----
Rim size	12 × 6.0 AT	----
Rim material	Steel	----
Rim runout limit		
radial	----	2 mm (0.08 in)
lateral	----	2 mm (0.08 in)
Rear wheel:		
Type	Panel wheel	----
Rim size	12 × 7.5 AT	----
Rim material	Steel	----
Rim runout limit		
radial	----	2 mm (0.08 in)
lateral	----	2 mm (0.08 in)



Tightening torques

Part to be tightened	Thread size	Tightening torque			Remarks
		Nm	m·kg	ft·lb	
Engine bracket (front-upper) and frame	M8	33	3.3	24	
Engine bracket (front-lower) and frame	M8	33	3.3	24	
Engine bracket (front-upper) and engine	M10	42	4.2	30	
Engine bracket (front-lower) and engine	M10	42	4.2	30	
Engine and frame	M10	56	5.6	40	
Frame and bearing retainer (steering stem holder bearing)	M42	40	4.0	29	
Select lever assembly and frame	M8	23	2.3	17	
Swingarm	M12	82	8.2	60	
Rear shock absorber and frame	M12	82	8.2	60	
Final gear case and swingarm	M10	63	6.3	45	
Final gear case and rear axle housing	M10	63	6.3	46	
Swingarm and rear axle housing	M10	63	6.3	46	
Differential gear case and frame	M10	55	5.5	40	
Front arm and frame	M10	45	4.5	32	
Front shock absorber and frame	M10	45	4.5	32	
Front shock absorber and upper front arm	M10	45	4.5	32	
Steering stem, pitman arm and frame	M14	130	13.0	94	
Steering stem holder and frame	M8	23	2.3	17	Use lock washer
Steering stem and handlebar holder	M8	23	2.3	17	
Pitman arm and tie-rod end	M12	30	3.0	22	
Tie-rod and locknut	M12	40	4.0	29	
Steering knuckle and upper front arm	M12	30	3.0	22	
Steering knuckle and lower front arm	M12	30	3.0	22	
Steering knuckle and tie-rod	M12	30	3.0	22	
Fuel tank and fuel cock	M6	4	0.4	2.9	
Front wheel and wheel hub	M10	64	6.4	46	
Front axle and wheel hub	M16	150	15.0	110	
Steering knuckle and brake caliper	M8	30	3.0	22	
Front brake disc and wheel hub	M8	30	3.0	22	
Rear wheel and rear wheel hub	M10	55	5.5	40	
Rear axle and nut	M16	150	15.0	110	
Brake drum cover and brake shoe plate	M6	28	2.8	20	
Front brake pipe nut	M10	19	1.9	13	
Front brake hose union bolt	M10	27	2.7	19	
Bleed screw	M8	6	0.6	4.3	
Master cylinder and handlebar	M6	7	0.7	5.1	
Footrest and frame	M8	16	1.6	11	

MAINTENANCE SPECIFICATIONS

SPEC



Part to be tightened	Thread size	Tightening torque			Remarks
		Nm	m·kg	ft·lb	
Front bumper and frame	M8	33	3.3	24	
Front carrier and frame	M8	33	3.3	24	
Front carrier and front bumper	M8	33	3.3	24	
Rear carrier and frame	M8	33	3.3	24	
Differential gear case filler bolt	M14	23	2.3	17	
Differential gear case drain bolt	M10	10	1.0	7	
Differential gear case and bearing housing	M8	25	2.5	18	
Gear motor	M8	13	1.3	9.4	
Final gear case oil filler bolt	M14	23	2.3	17	
Final gear case oil drain bolt	M14	23	2.3	17	
Bearing retainer (drive pinion gear)	M65	100	10.0	72	
Final gear case and bearing housing	M10	40	4.0	29	
Final gear case and bearing housing	M8	23	2.3	17	
Battery holding bracket	M6	7	0.7	5.1	
Footrest board and footrest bracket	M6	7	0.7	5.1	
Yoke (drive pinion gear)	M12	62	6.2	45	
Trailer hitch bracket	M10	32	3.2	23	
Front brake pad holding bolt	M10	18	1.8	13	
Rear brake light switch bracket	M8	23	2.3	17	
Rear brake light switch cover	M6	7	0.7	5.1	
Front brake caliper retaining bolt	M8	30	3.0	22	
Air duct (front)	M6	7	0.7	5.1	
Rear brake lever holder bracket	M6	7	0.7	5.1	
Rear brake lever (bolt)	M6	7	0.7	5.1	
Rear brake lever (nut)	M6	7	0.7	5.1	
Brake camshaft lever	M6	9	0.9	6.5	
Four-wheel drive switch	M10	20	2.0	14	



ELECTRICAL

Item	Standard	Limit
Voltage:	12 V	----
Ignition system: Ignition timing (B.T.D.C.)	10°/ 1,500 r/min	----
C.D.I.:		
Magneto model/manufacturer	F4T46472/MITSUBISHI	----
Pickup coil resistance/color	459 ~ 561 Ω at 20 °C (68 °F)/ White/Red – White/Green	----
Rotor rotation direction sensing coil resistance/color	0.085 ~ 0.105 Ω at 20 °C (68 °F)/ Red – White/Blue	----
C.D.I. unit model/manufacturer	F8T38679/MITSUBISHI	----
Ignition coil:		
Model/manufacturer	2JN/YAMAHA	----
Minimum spark gap	6 mm (0.24 in)	----
Primary winding resistance	0.18 ~ 0.28 Ω at 20 °C (68 °F)	----
Secondary winding resistance	6.32 ~ 9.48 kΩ at 20 °C (68 °F)	----
Spark plug cap:		
Type	Resin	----
Resistance	10 kΩ	----
Charging system:		
Type	A.C. magneto generator	----
Model/manufacturer	F4T464/MITSUBISHI	----
Nominal output	14 V 17.5 A at 5,000 r/min	----
Charging coil resistance/color	0.46 ~ 0.62 Ω at 20 °C (68 °F)/ White – White	----
Rectifier/regulator:		
Regulator type	Semi conductor-short circuit	----
No-load regulated voltage (DC)	14.1 ~ 14.9 V	----
Model/manufacturer	SH640E-11/SHINDENGEN	----
Capacity	14 A	----
Withstand voltage	200 V	----
Electric starter system:		
Type	Constant mesh	----
Starter motor		
Model/manufacturer	SM-13/MITSUBA	----
Output	0.8 kW	----
Armature coil resistance	0.025 ~ 0.035 Ω at 20 °C (68 °F)	----

MAINTENANCE SPECIFICATIONS

SPEC



Item	Standard	Limit
Brush overall length	12.5 mm (0.49 in)	5 mm (0.20 in)
Spring force	7.65 ~ 10.01 N (780 ~ 1,020 g, 27.54 ~ 36.03 oz)	----
Commutator diameter	28 mm (1.10 in)	27 mm (1.06 in)
Mica undercut	0.7 mm (0.03 in)	----
Starter relay		
Model/manufacture	MS5F-561/JIDECO	----
Amperage rating	180 A	----
Coil winding resistance	4.18 ~ 4.62 Ω at 20 °C (68 °F)	----
Electric fan:		
Running rpm	3,500 r/min	----
Thermostat switch:		
Thermostat switch (cylinder head)		
Model/manufacture	4BA/DENSO	----
Thermostat switch (radiator)		
Model/manufacture	5ND/NIPPON THERMOSTAT	----
Circuit breakers:		
Type	Fuse	----
Amperage for individual circuit		
Main fuse	30 A × 1	----
Headlight fuse	15 A × 1	----
Ignition fuse	10 A × 1	----
Auxiliary DC jack fuse	10 A × 1	----
Four-wheel drive fuse	3 A × 1	----
Signaling system fuse	10 A × 1	----
Reserve	30 A × 1	----
Reserve	15 A × 1	----
Reserve	10 A × 1	----
Reserve	3 A × 1	----

HOW TO USE THE CONVERSION TABLE/ GENERAL TORQUE SPECIFICATIONS



EB201000

HOW TO USE THE CONVERSION TABLE

All specification data in this manual are listed in SI and METRIC UNITS.

Use this table to convert METRIC unit data to IMPERIAL unit data.

Ex.

METRIC		MULTIPLIER	=	IMPERIAL
** mm	×	0.03937	=	** in
2 mm	×	0.03937	=	0.08 in

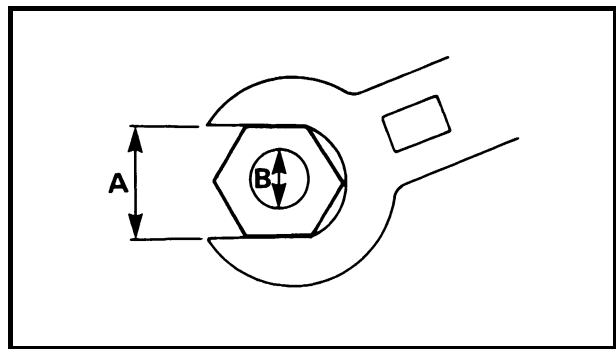
CONVERSION TABLE

METRIC TO IMPERIAL			
	Metric unit	Multiplier	Imperial unit
Torque	m·kg	7.233	ft·lb
	m·kg	86.794	in·lb
	cm·kg	0.0723	ft·lb
	cm·kg	0.8679	in·lb
Weight	kg	2.205	lb
	g	0.03527	oz
Speed	km/hr	0.6214	mph
Distance	km	0.6214	mi
	m	3.281	ft
	m	1.094	yd
	cm	0.3937	in
	mm	0.03937	in
Volume/ Capacity	cc (cm ³)	0.03527	oz (IMP liq.)
	cc (cm ³)	0.06102	cu-in
	lt (liter)	0.8799	qt (IMP liq.)
	lt (liter)	0.2199	gal (IMP liq.)
Misc.	kg/mm	55.997	lb/in
	kg/cm ²	14.2234	psi (lb/in ²)
	Centigrade (°C)	9/5+32	Fahrenheit (°F)

EB202001

GENERAL TORQUE SPECIFICATIONS

This chart specifies torque for standard fasteners with standard I.S.O. pitch threads. Torque specifications for special components or assemblies are provided for each chapter of this manual. To avoid warpage, tighten multi-fastener assemblies in a crisscross fashion, in progressive stages, until the specified torque is reached. Unless otherwise specified, torque specifications require clean, dry threads. Components should be at room temperature.



A: Distance between flats
B: Outside thread diameter

A (nut)	B (bolt)	General torque specifications		
		Nm	m·kg	ft·lb
10 mm	6 mm	6	0.6	4.3
12 mm	8 mm	15	1.5	11
14 mm	10 mm	30	3.0	22
17 mm	12 mm	55	5.5	40
19 mm	14 mm	85	8.5	61
22 mm	16 mm	130	13.0	94


LUBRICATION POINTS AND LUBRICANT TYPES
ENGINE

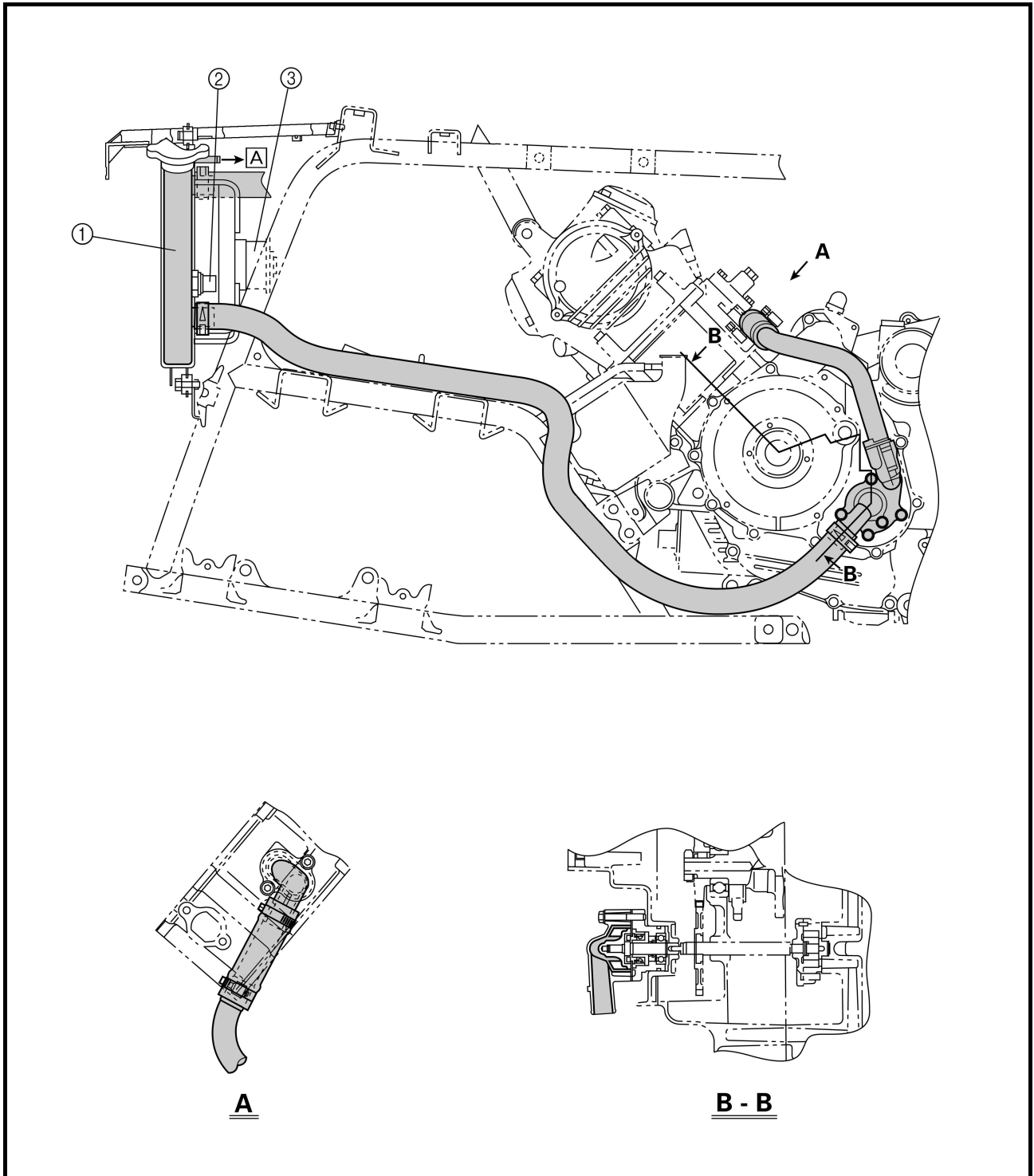
Lubrication points	Lubricant type
Oil seal lip (all)	
O-ring (all)	
Bearing (all)	
Crank pin	
Connecting rod (bearing)	
Camshaft sprocket	
Crankshaft	
Piston surface/piston rings	
Piston pin	
Buffer boss	
Valve stem/valve stem end	
Rocker arm shaft	
Rocker arm	
Camshaft lobe/journal	
Cylinder head bolt	
Oil pump shaft, rotor, housing	
Oil filter O-ring	
Starter idle gear shaft	
Transmission gear (wheel/pinion)	
Axle (main/drive)	
Shift fork/guide bar	
Shift cam/shift shaft/shift cam stopper	
Shift guide	
Shift cam lever	
Clutch housing	
One-way bearing	
Drive chain/sprocket	
Driven cam	
Front drive shaft collar	
Crankcase mating surface	Sealant (Quick Gasket®) Yamaha Bond No.1215
Stator lead grommet (left side crankcase)	Sealant (Quick Gasket®) Yamaha Bond No.1215



COOLANT FLOW DIAGRAMS

- ① Radiator
- ② Thermo switch (radiator)
- ③ Fan motor

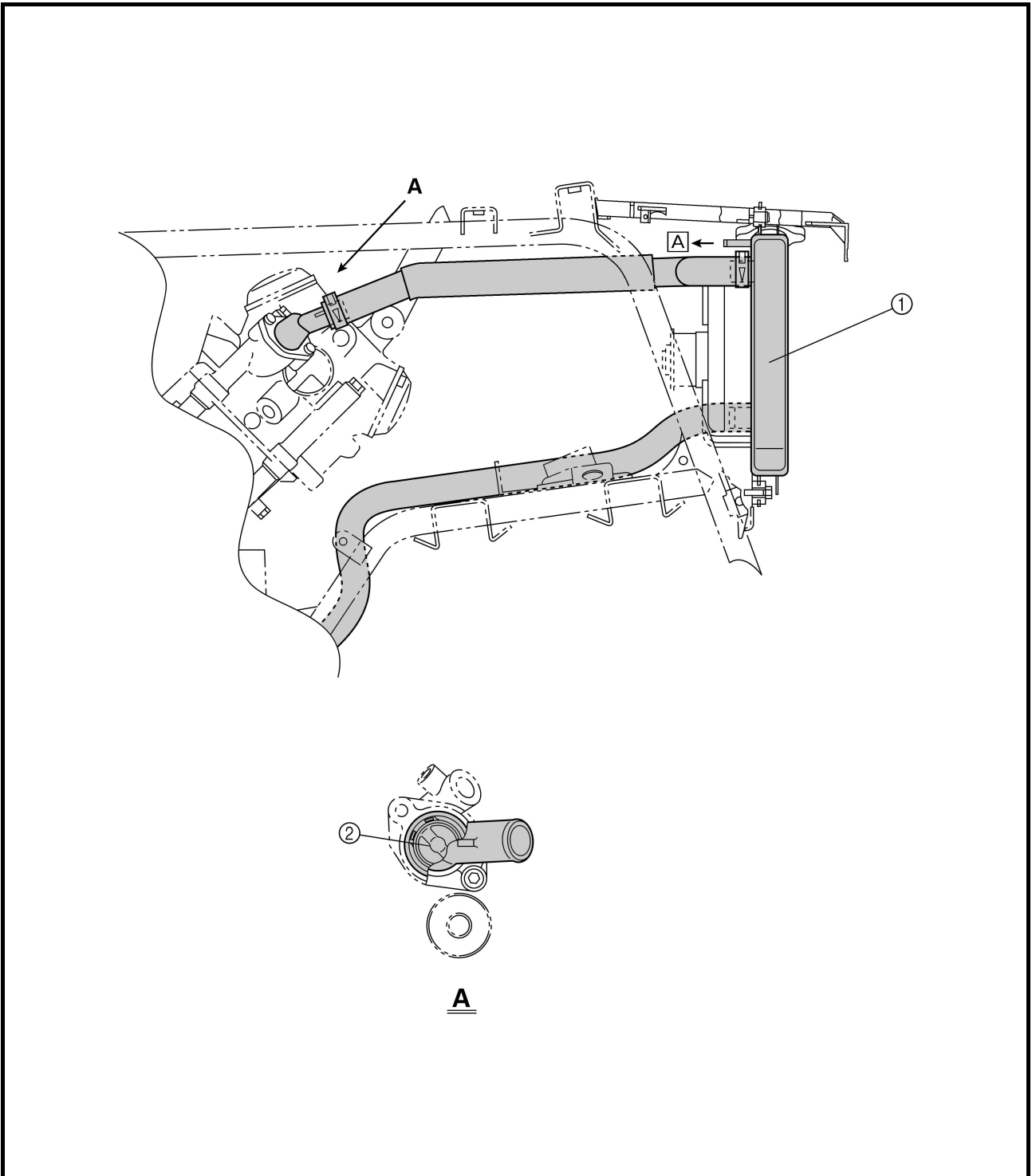
A To coolant reservoir





- ① Radiator
- ② Thermostat

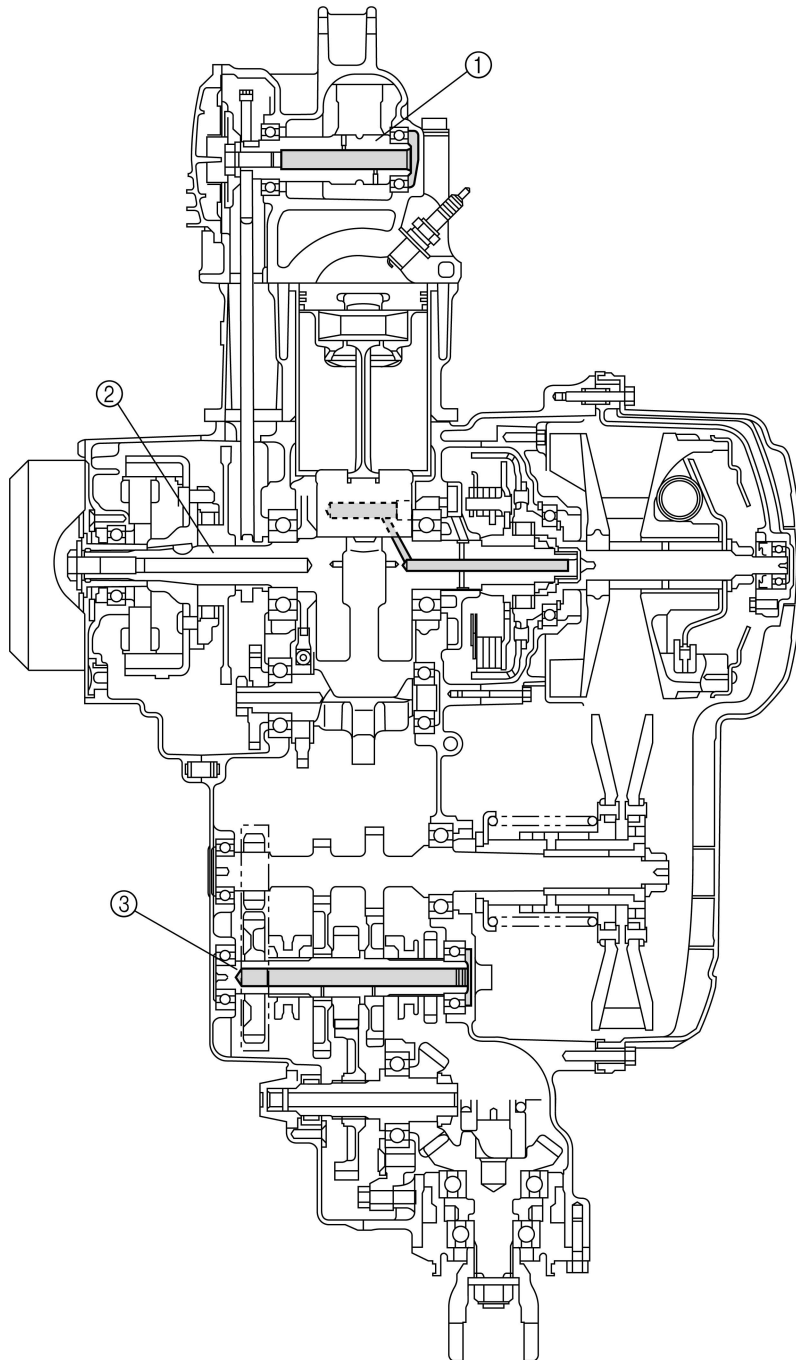
A To coolant reservoir





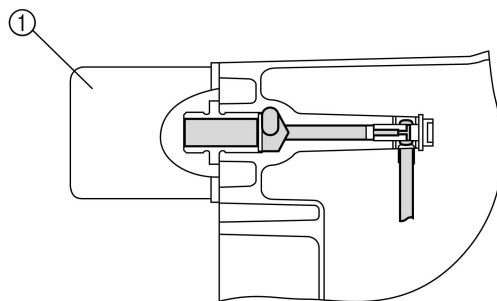
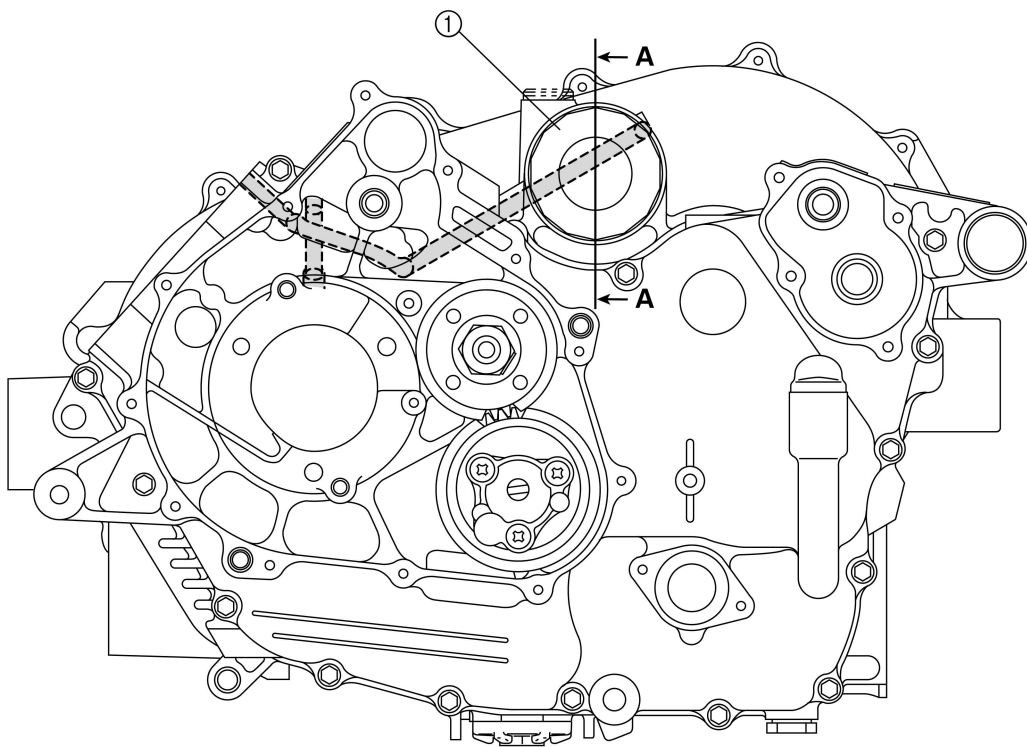
OIL FLOW DIAGRAMS

- ① Camshaft
- ② Crankshaft
- ③ Drive axle





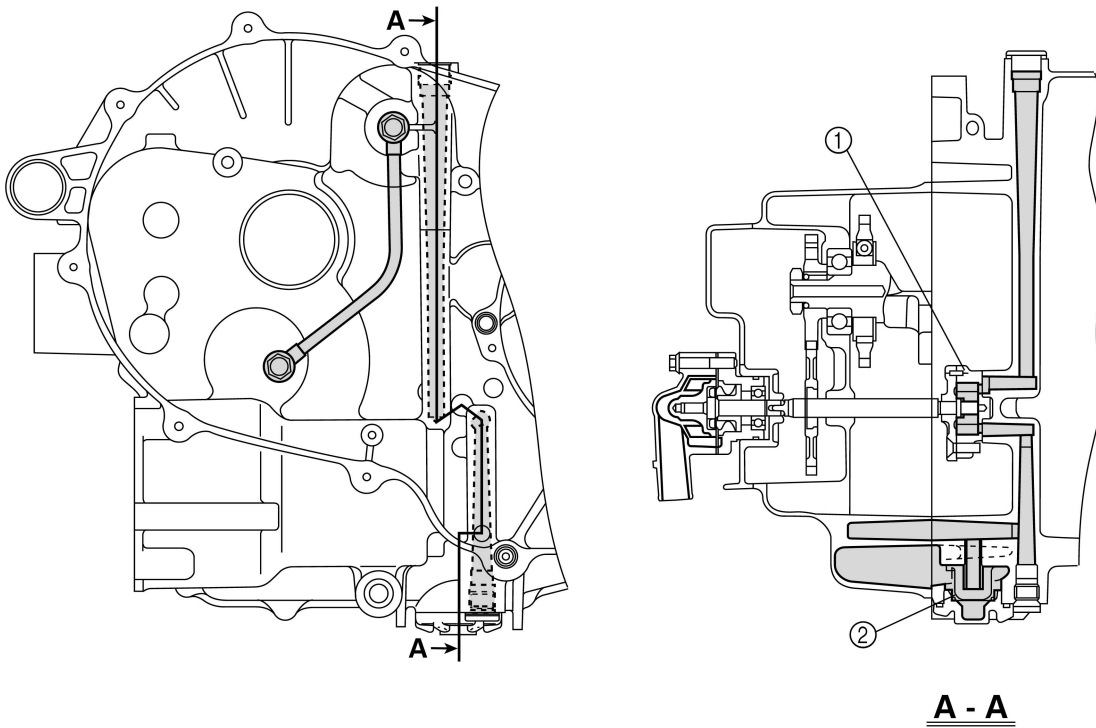
① Oil filter



A - A



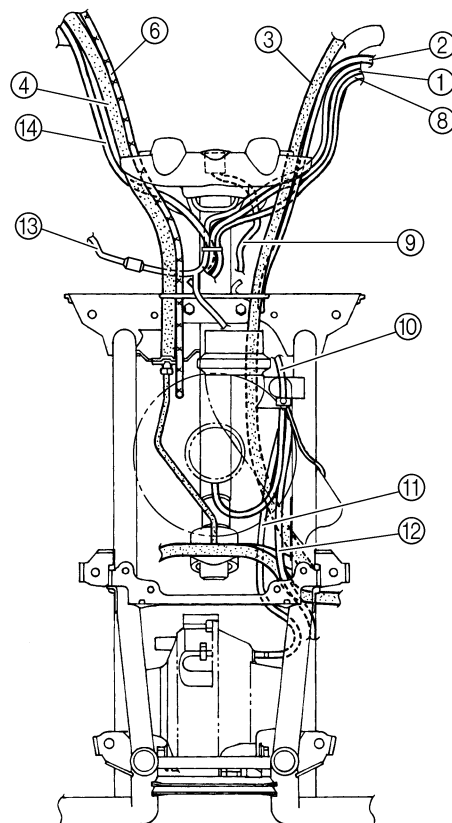
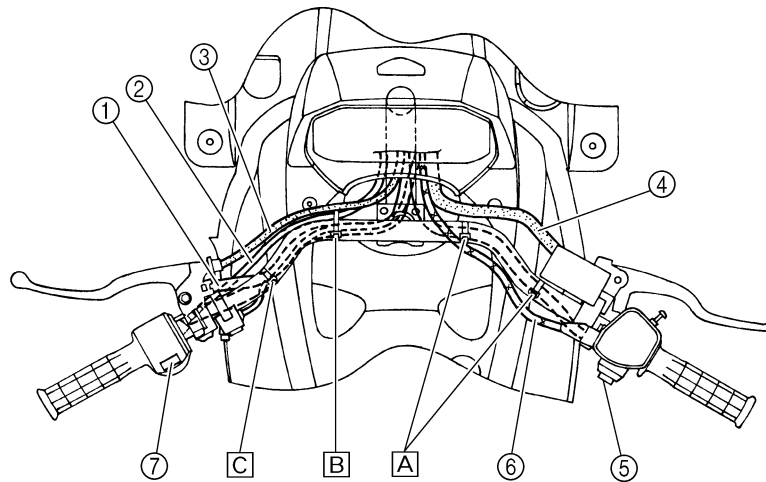
- ① Oil pump
- ② Oil strainer





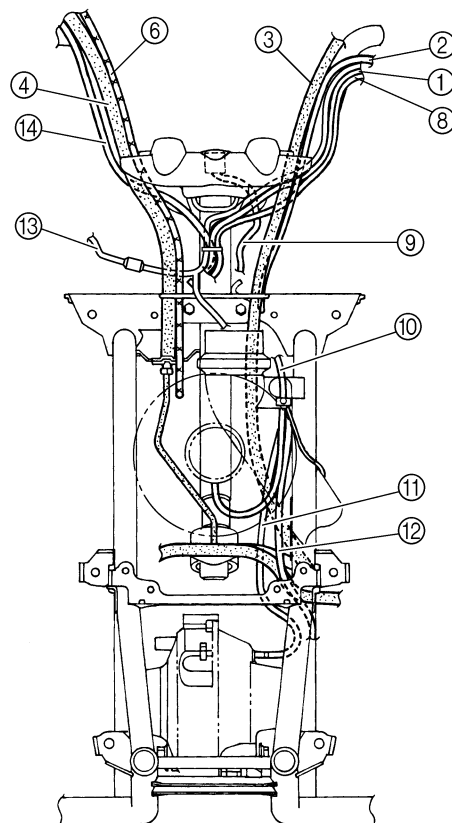
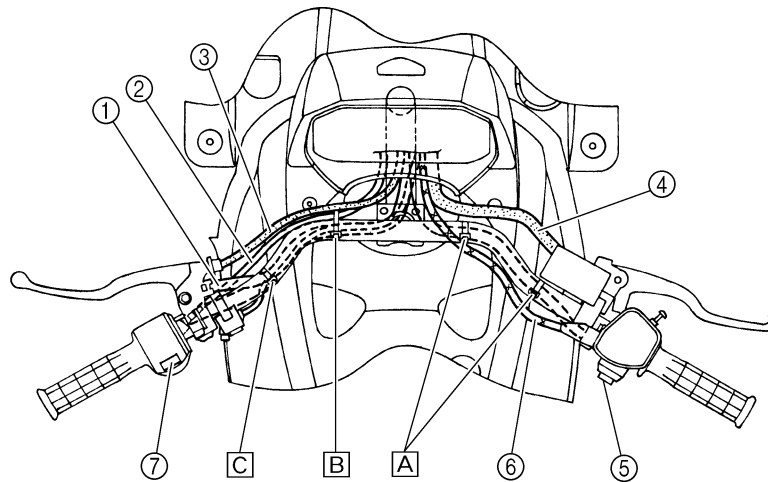
CABLE ROUTING

- ① Rear brake switch lead
- ② Starter cable
- ③ Rear brake cable
- ④ Front brake hose
- ⑤ On-command four-wheel drive switch
- ⑥ Throttle cable
- ⑦ Handlebar switch
- ⑧ Handlebar switch lead
- ⑨ Main switch lead
- ⑩ Fan motor breather hose
- ⑪ Differential gear case breather hose
- ⑫ Sub-wire harness (to gear motor)
- ⑬ Horn switch lead (For Europe and Oceania)
- ⑭ On-command four-wheel drive switch lead



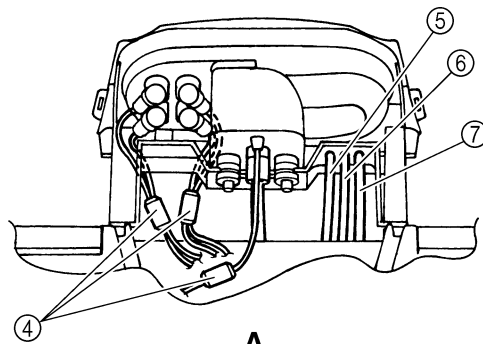


- A Fasten the on-command four-wheel drive switch lead behind the handlebar with a plastic band.
- B Fasten the starter cable, handlebar switch lead, horn switch lead (for Europe and Oceania) and rear brake switch lead behind the handlebar with a plastic band.
- C Fasten the handlebar switch lead, horn switch lead (for Europe and Oceania) and rear brake switch lead behind the handlebar with a plastic band.

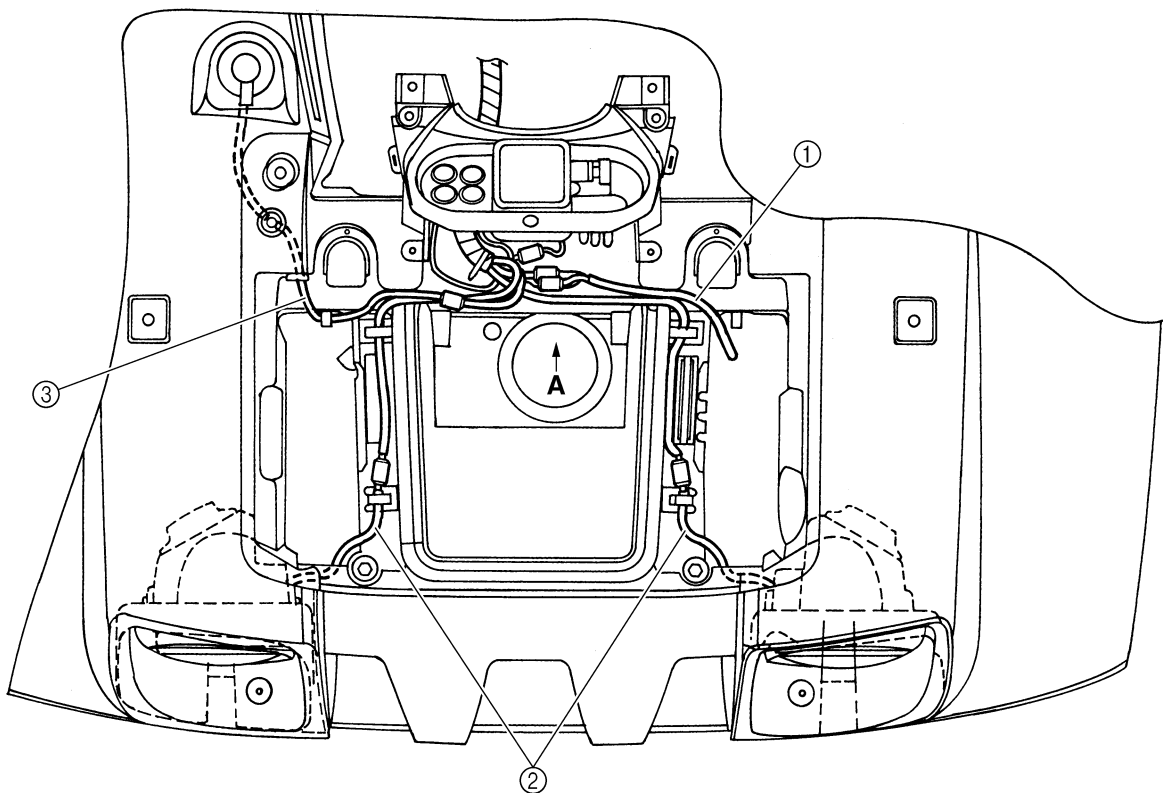




- ① Sub-wire harness
- ② Headlight lead
- ③ Auxiliary DC jack lead
- ④ Meter assembly coupler
- ⑤ Differential gear case breather hose
- ⑥ Coolant reservoir breather hose
- ⑦ Fan motor breather hose



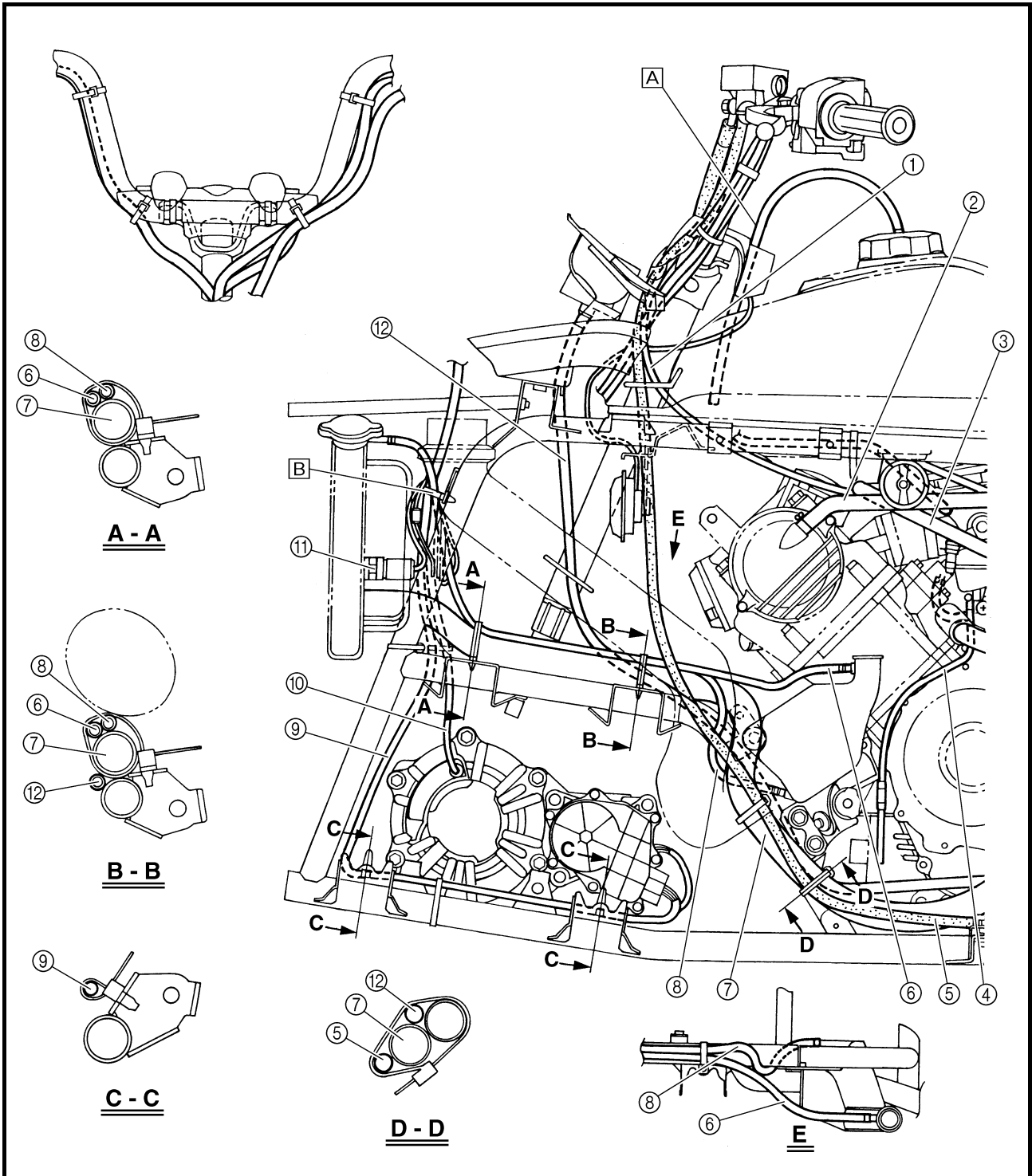
A





- ① Starter cable
- ② Cylinder head breather hose
- ③ Fuel hose
- ④ Carburetor drain hose
- ⑤ Rear brake lever cable
- ⑥ Coolant reservoir breather hose
- ⑦ Radiator outlet hose
- ⑧ Coolant reservoir hose
- ⑨ Sub-wire harness
- ⑩ Differential gear case breather hose
- ⑪ Thermo switch (radiator)

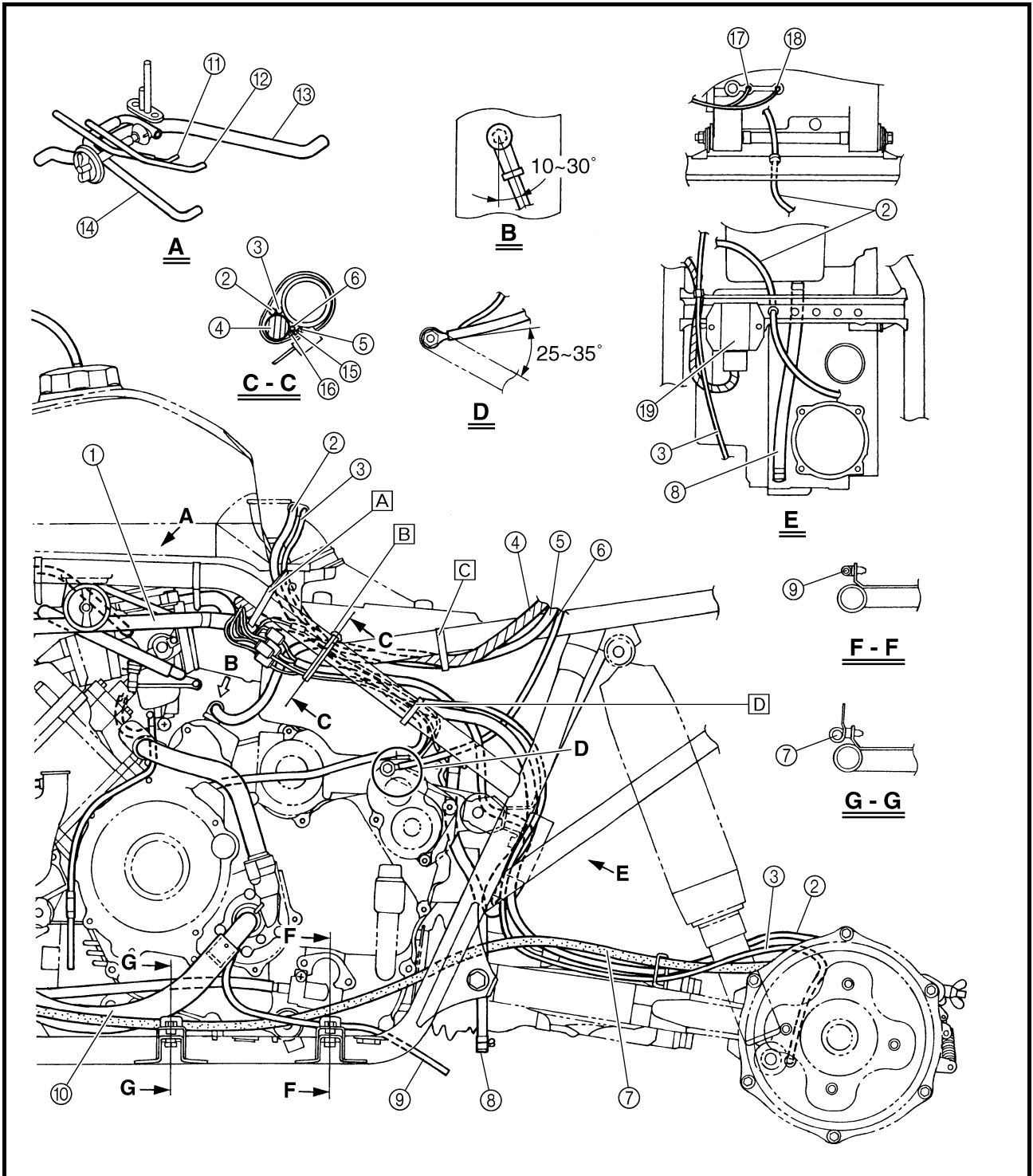
- ⑫ Speedometer cable
- A** Insert the fuel tank breather hose into the hole of the handlebar cover.
- B** Fasten the sub-wire harness, differential gear case breather hose, coolant reservoir hose, coolant reservoir breather hose, thermo switch (radiator) lead and fan motor breather hose with a plastic band.





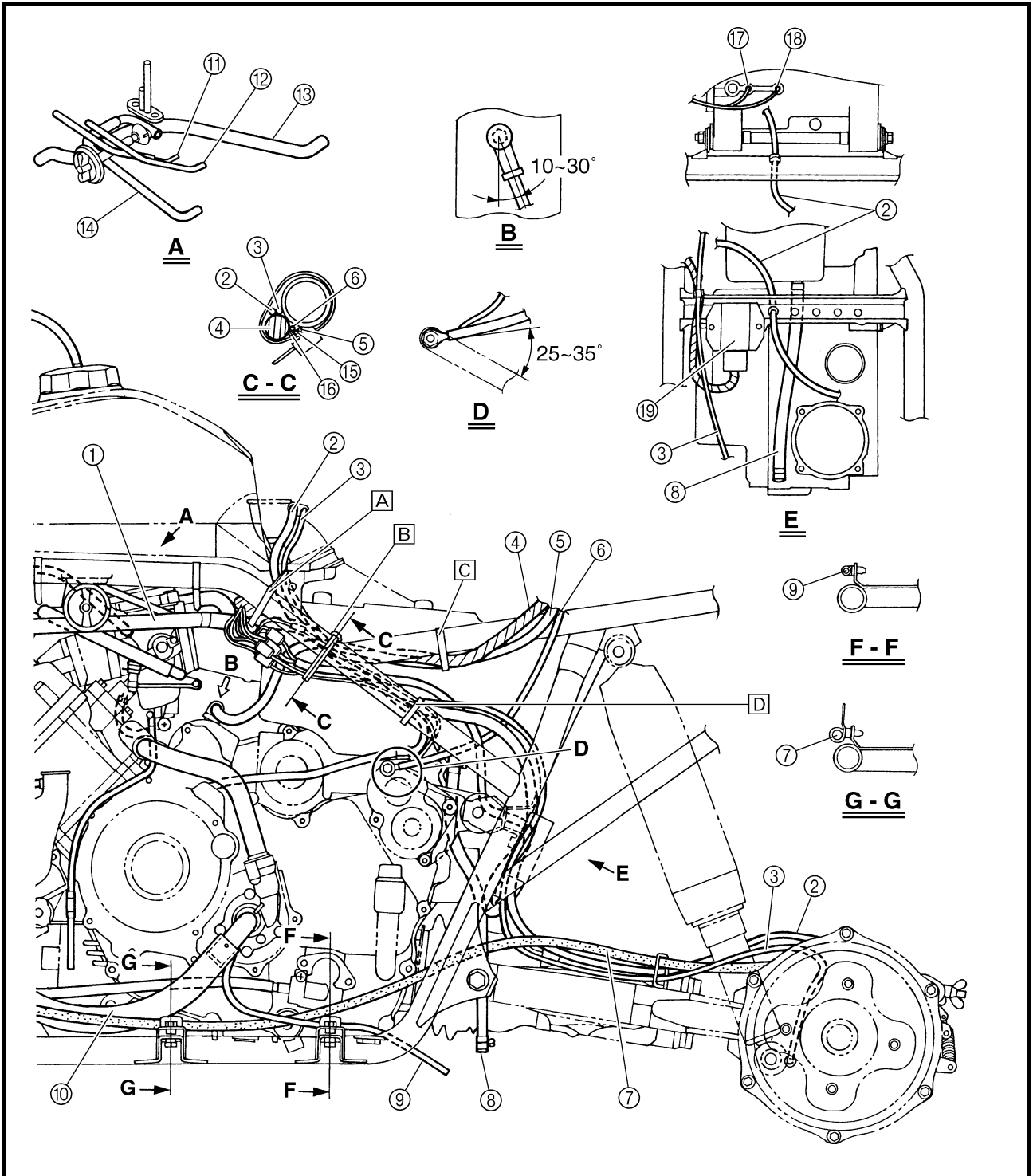
- ① Cylinder head breather hose
- ② Final drive gear case breather hose
- ③ Rear brake breather hose
- ④ Wire harness
- ⑤ Starter motor lead
- ⑥ Negative battery lead
- ⑦ Rear brake lever cable
- ⑧ Air filter case check hose
- ⑨ Water pump breather hose
- ⑩ Radiator outlet hose
- ⑪ Starter cable

- ⑫ Float chamber air vent hose
- ⑬ Cylinder head breather hose
- ⑭ Fuel hose
- ⑮ A.C. magneto lead
- ⑯ Gear position switch lead
- ⑰ Neutral switch
- ⑱ Reverse switch
- ⑲ Rectifier/regulator





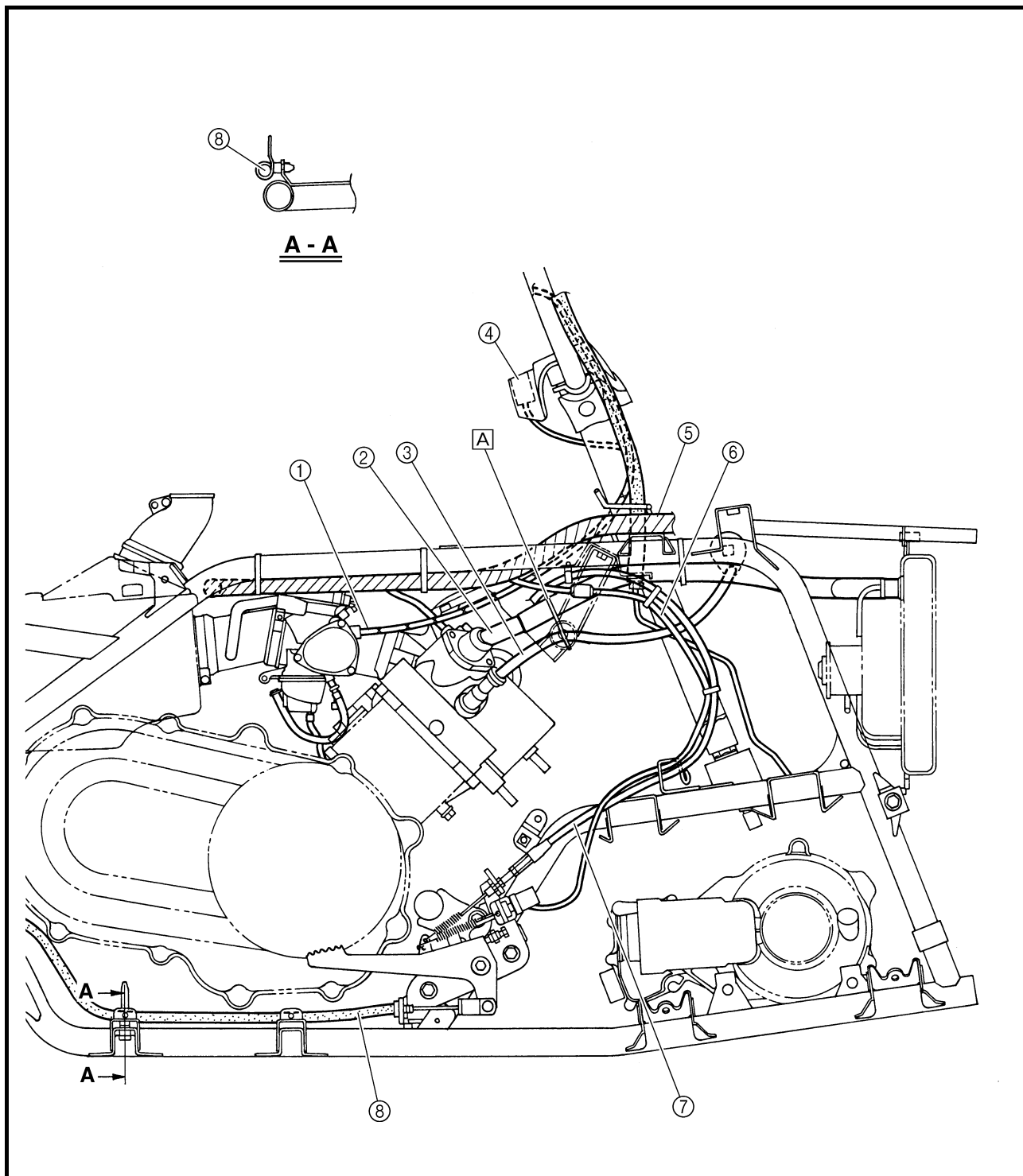
- A** Fasten the wire harness with a plastic band.
- B** Fasten the starter motor lead, wire harness, negative battery lead, final drive gear case breather hose, rear brake breather hose, rectifier/regulator lead, gear position switch lead and A.C. magneto lead with a plastic band.
- C** Fasten the wire harness, starter motor lead with a plastic band.
- D** Fasten the gear position switch lead, A.C. magneto lead, rectifier/regulator lead and negative battery lead with a plastic band.





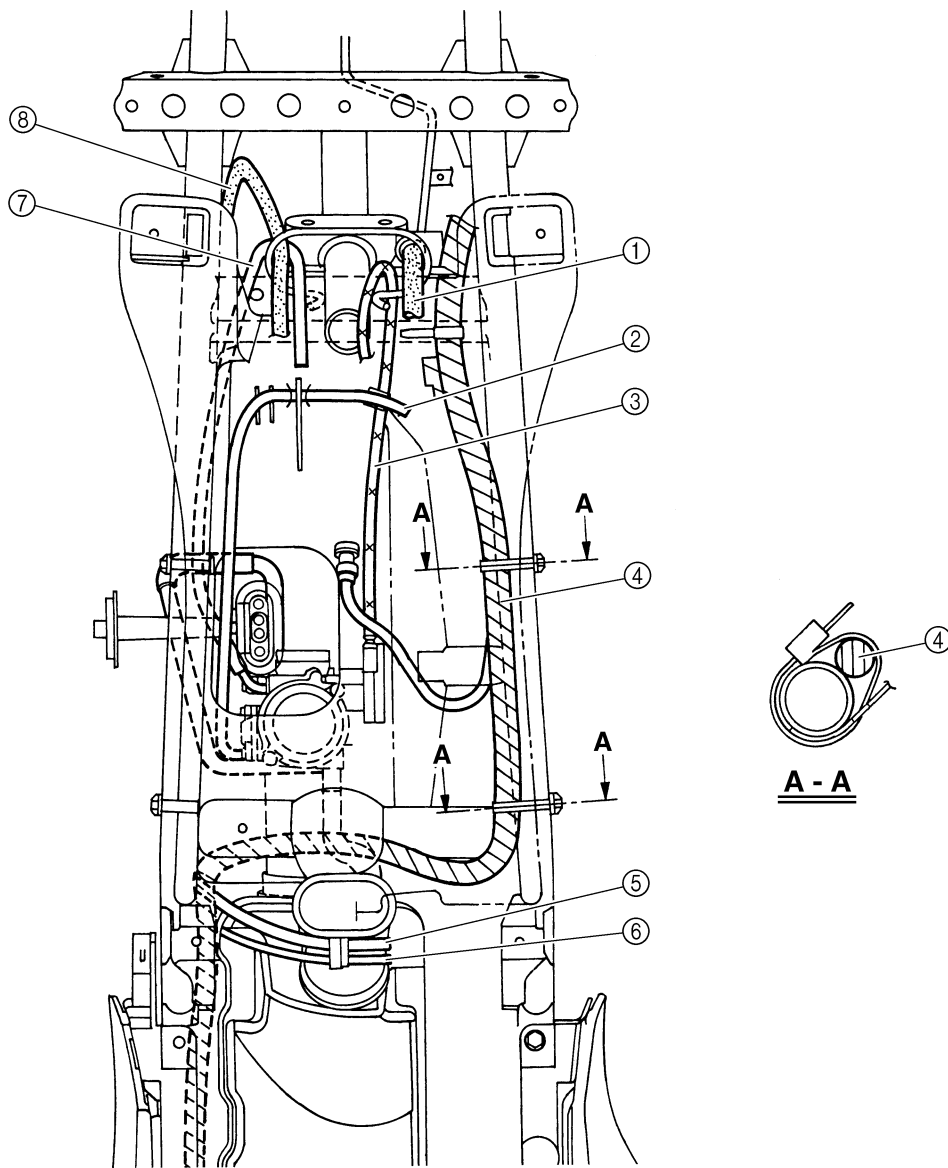
- ① Throttle cable
- ② Radiator inlet hose
- ③ Spark plug lead
- ④ Main switch
- ⑤ Wire harness
- ⑥ Rear brake light switch lead
- ⑦ Select lever control cable
- ⑧ Rear brake pedal cable

Ⓐ Fasten the radiator inlet hose and spark plug lead with a plastic band.





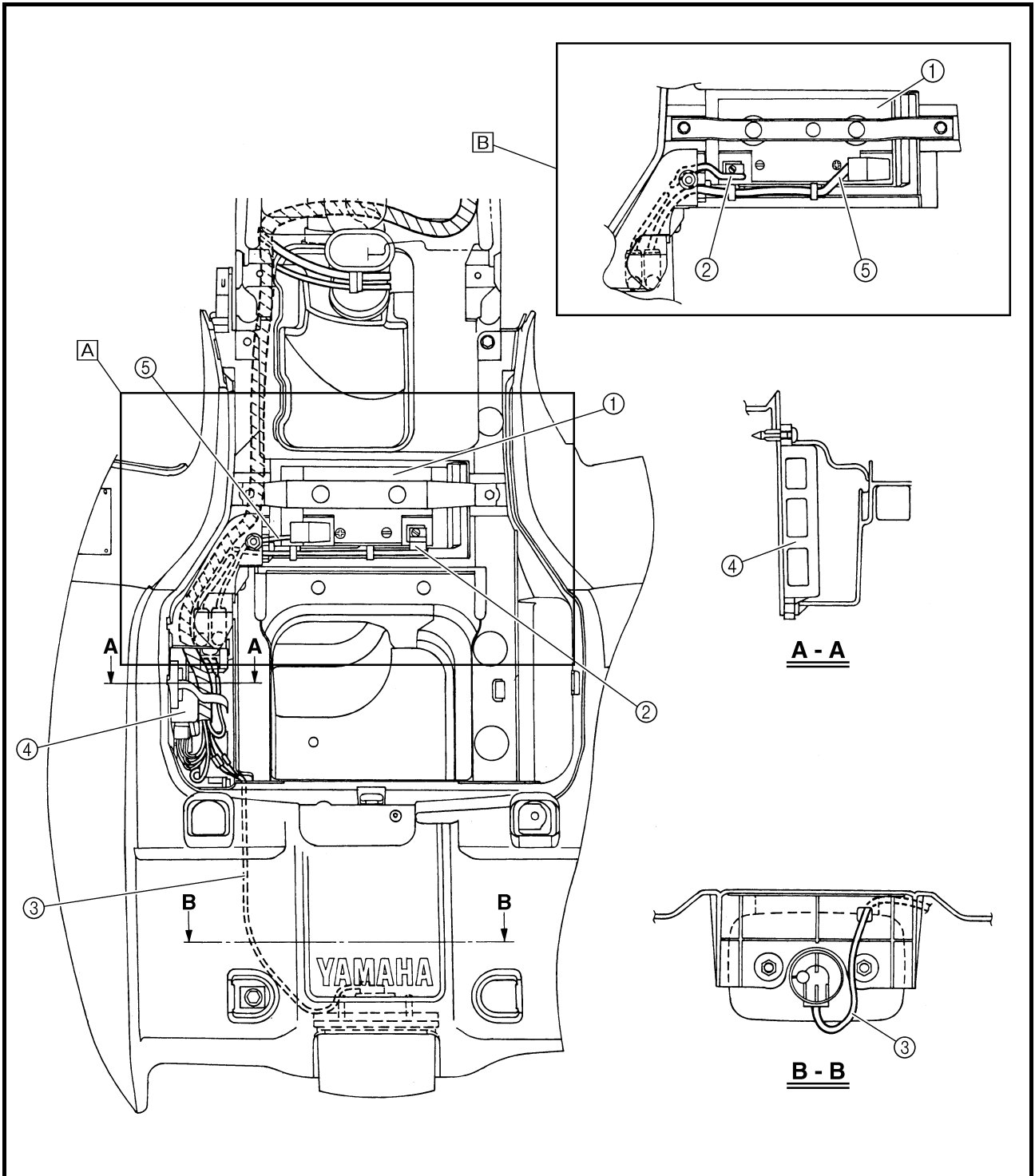
- ① Front brake hose
- ② Float chamber air vent hose
- ③ Throttle cable
- ④ Wire harness
- ⑤ Final drive gear case breather hose
- ⑥ Rear brake breather hose
- ⑦ Starter cable
- ⑧ Rear brake lever cable





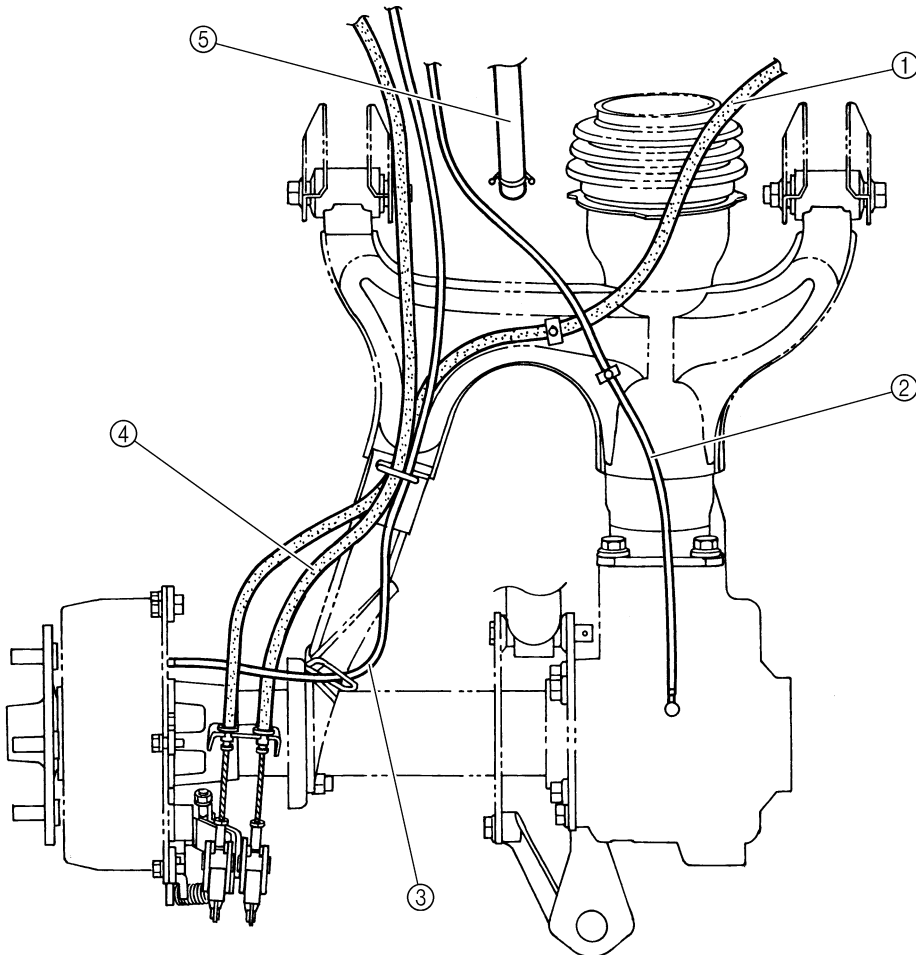
- ① Battery
- ② Negative battery lead
- ③ Tail/brake light lead
- ④ CDI unit
- ⑤ Positive battery lead

- A For CDN and Europe
- B For Oceania





- ① Rear brake pedal cable
- ② Final drive gear case breather hose
- ③ Rear brake breather hose
- ④ Rear brake lever cable
- ⑤ Air filter case check hose





CHK

ADJ

3

CHAPTER 3. PERIODIC CHECKS AND ADJUSTMENTS

INTRODUCTION	3-1
PERIODIC MAINTENANCE/LUBRICATION	3-1
SEAT, CARRIERS, FENDERS AND FUEL TANK	3-3
SEAT AND SIDE PANELS	3-3
FRONT CARRIER, FRONT BUMPER AND FRONT FENDER	3-4
REAR CARRIER AND REAR FENDER	3-6
FUEL TANK	3-8
FOOTREST BOARDS	3-9
ENGINE	3-10
ADJUSTING THE VALVE CLEARANCE	3-10
ADJUSTING THE IDLING SPEED	3-13
ADJUSTING THE THROTTLE LEVER FREE PLAY	3-14
ADJUSTING THE SPEED LIMITER	3-16
ADJUSTING THE STARTER CABLE	3-17
CHECKING THE SPARK PLUG	3-19
CHECKING THE IGNITION TIMING	3-20
MEASURING THE COMPRESSION PRESSURE	3-21
CHECKING THE ENGINE OIL LEVEL	3-23
CHANGING THE ENGINE OIL	3-24
CLEANING THE AIR FILTER	3-26
CHECKING THE COOLANT LEVEL	3-29
CHANGING THE COOLANT	3-30
CHECKING THE COOLANT TEMPERATURE WARNING LIGHT	3-33
CHECKING THE V-BELT	3-33
CLEANING THE SPARK ARRESTER	3-34
CHASSIS	3-36
ADJUSTING THE REAR BRAKE	3-36
CHECKING THE FRONT BRAKE FLUID LEVEL	3-38
CHECKING THE FRONT BRAKE PADS	3-39
CHECKING THE REAR BRAKE SHOES	3-39
CHECKING THE BRAKE HOSES	3-40
BLEEDING THE HYDRAULIC BRAKE SYSTEM	3-41
ADJUSTING THE SELECT LEVER CONTROL CABLE AND SHIFT ROD	3-42
ADJUSTING THE REAR BRAKE LIGHT SWITCH	3-43
CHECKING THE FINAL GEAR OIL LEVEL	3-44
CHANGING THE FINAL GEAR OIL	3-45
CHANGING THE DIFFERENTIAL GEAR OIL	3-46
CHECKING THE CONSTANT VELOCITY JOINT DUST BOOTS	3-46
CHECKING THE STEERING SYSTEM	3-47
ADJUSTING THE TOE-IN	3-47
ADJUSTING THE FRONT SHOCK ABSORBERS	3-49

ADJUSTING THE REAR SHOCK ABSORBER	3-49
CHECKING THE TIRES	3-49
CHECKING THE WHEELS	3-52
CHECKING AND LUBRICATING THE CABLES	3-53
LUBRICATING THE LEVERS, PEDAL, ETC.	3-53
ELECTRICAL	3-54
CHECKING THE BATTERY	3-54
CHECKING THE FUSES	3-59
ADJUSTING THE HEADLIGHT BEAMS	3-61
CHANGING THE HEADLIGHT BULB	3-61

EB300000

PERIODIC CHECKS AND ADJUSTMENTS

INTRODUCTION

This chapter includes all information necessary to perform recommended checks and adjustments. These preventive maintenance procedures, if followed, will ensure more reliable vehicle operation and a longer service life. The need for costly overhaul work will be greatly reduced. This information applies to vehicles already in service as well as to new vehicles that are being prepared for sale. All service technicians should be familiar with this entire chapter.

PERIODIC MAINTENANCE/LUBRICATION

ITEM	ROUTINE	INITIAL			EVERY	
		1 month	3 months	6 months	6 months	1 year
Valves*	<ul style="list-style-type: none"> • Check valve clearance. • Adjust if necessary. 	<input type="radio"/>		<input type="radio"/>	<input type="radio"/>	<input type="radio"/>
Cooling system	<ul style="list-style-type: none"> • Check coolant leakage. • Repair if necessary. • Replace coolant every 24 months. 	<input type="radio"/>	<input type="radio"/>	<input type="radio"/>	<input type="radio"/>	<input type="radio"/>
Spark plug	<ul style="list-style-type: none"> • Check condition. • Adjust gap and clean. • Replace if necessary. 	<input type="radio"/>	<input type="radio"/>	<input type="radio"/>	<input type="radio"/>	<input type="radio"/>
Air filter element	<ul style="list-style-type: none"> • Clean. • Replace if necessary. 	Every 20–40 hours (More often in wet or dusty areas.)				
Carburetor*	<ul style="list-style-type: none"> • Check and adjust idle speed/starter operation. • Adjust if necessary. 		<input type="radio"/>	<input type="radio"/>	<input type="radio"/>	<input type="radio"/>
Crankcase breather system*	<ul style="list-style-type: none"> • Check breather hose for cracks or damage. • Replace if necessary. 			<input type="radio"/>	<input type="radio"/>	<input type="radio"/>
Exhaust system*	<ul style="list-style-type: none"> • Check for leakage. • Retighten if necessary. • Replace gasket(s) if necessary. 			<input type="radio"/>	<input type="radio"/>	<input type="radio"/>
Fuel line*	<ul style="list-style-type: none"> • Check fuel hose for cracks or damage. • Replace if necessary. 			<input type="radio"/>	<input type="radio"/>	<input type="radio"/>
Engine oil	<ul style="list-style-type: none"> • Replace. (Warm engine before draining.) 	<input type="radio"/>		<input type="radio"/>	<input type="radio"/>	<input type="radio"/>
Engine oil filter cartridge	<ul style="list-style-type: none"> • Replace. 	<input type="radio"/>		<input type="radio"/>		<input type="radio"/>
Engine oil strainer*	<ul style="list-style-type: none"> • Clean. 	<input type="radio"/>		<input type="radio"/>		<input type="radio"/>
Final gear oil	<ul style="list-style-type: none"> • Check oil level/oil leakage. • Replace every 12 months. 	<input type="radio"/>				<input type="radio"/>
Differential gear oil						
Front brake*	<ul style="list-style-type: none"> • Check operation/fluid leakage. (See NOTE page 3-2.) • Correct if necessary. 	<input type="radio"/>	<input type="radio"/>	<input type="radio"/>	<input type="radio"/>	<input type="radio"/>
Rear brake	<ul style="list-style-type: none"> • Check operation. • Adjust if necessary. 	<input type="radio"/>	<input type="radio"/>	<input type="radio"/>	<input type="radio"/>	<input type="radio"/>
V-belt*	<ul style="list-style-type: none"> • Check operation. • Check for cracks or damage. 	<input type="radio"/>		<input type="radio"/>	<input type="radio"/>	<input type="radio"/>
Wheels*	<ul style="list-style-type: none"> • Check balance/damage/runout. • Repair if necessary. 	<input type="radio"/>		<input type="radio"/>	<input type="radio"/>	<input type="radio"/>
Wheel bearing*	<ul style="list-style-type: none"> • Check bearing assemblies for looseness/damage. • Replace if damaged. 	<input type="radio"/>		<input type="radio"/>	<input type="radio"/>	<input type="radio"/>

PERIODIC MAINTENANCE/LUBRICATION



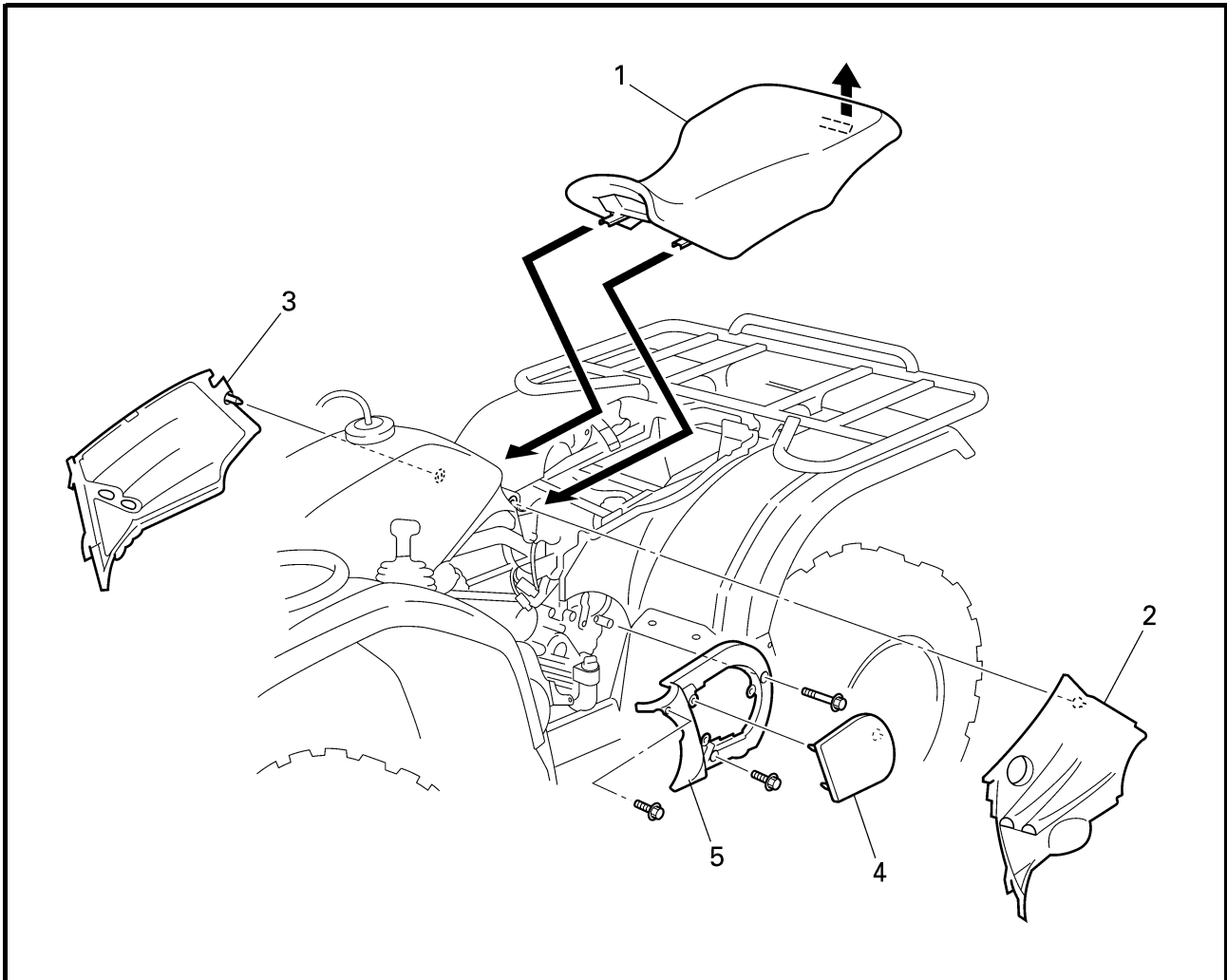
ITEM	ROUTINE	INITIAL			EVERY	
		1 month	3 months	6 months	6 months	1 year
Front and rear suspension*	<ul style="list-style-type: none"> • Check operation. • Correct if necessary. 			○		○
Steering system*	<ul style="list-style-type: none"> • Check operation./Replace if damaged. • Check toe-in./Adjust if necessary. 	○	○	○	○	○
Axle boots*	<ul style="list-style-type: none"> • Check operation. • Replace if damaged. 	○	○	○	○	○
Fittings and Fasteners*	<ul style="list-style-type: none"> • Check all chassis fittings and fasteners. • Correct if necessary. 	○	○	○	○	○

* It is recommended that these items be serviced by a Yamaha dealer.

NOTE:

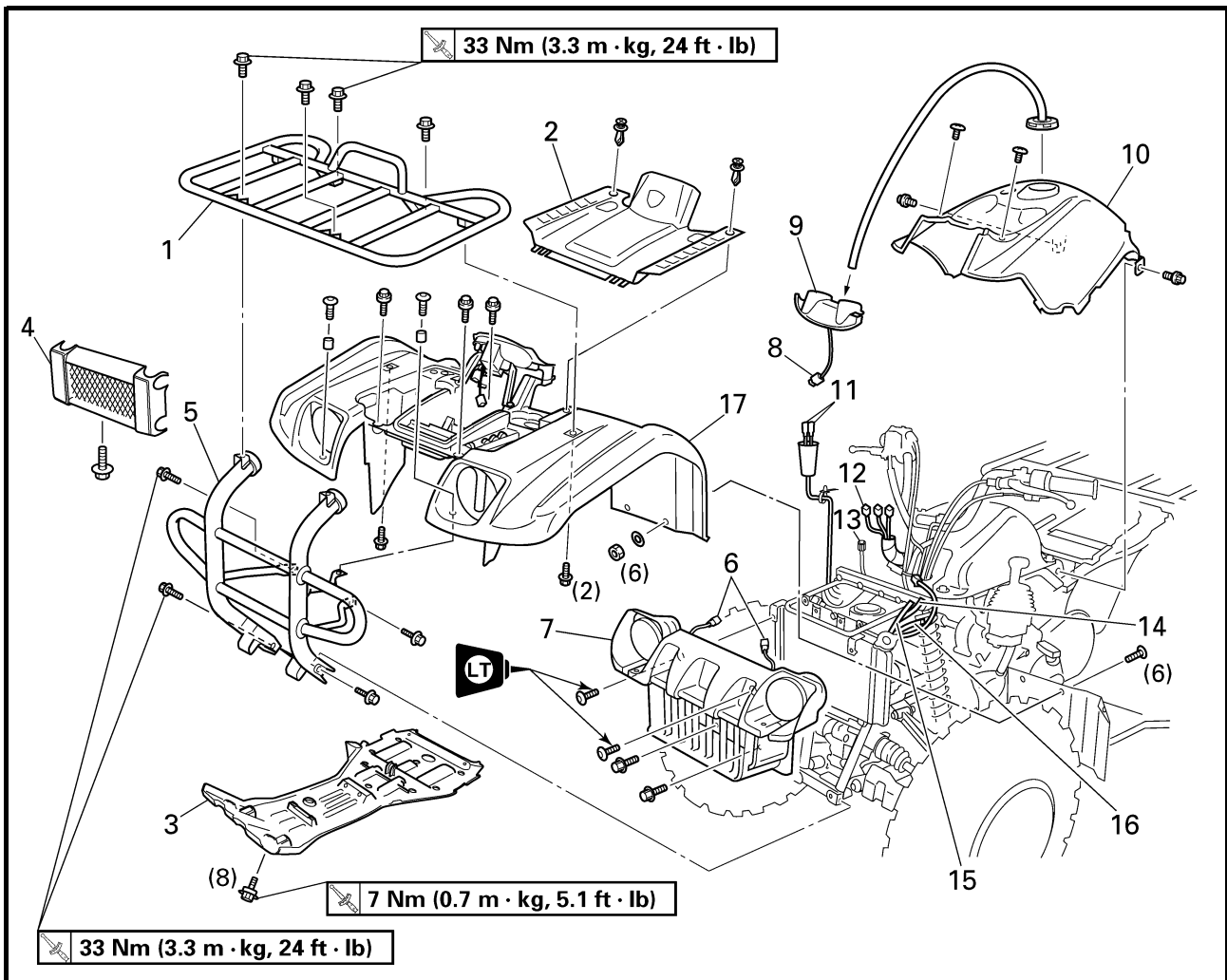
- Recommended brake fluid: DOT 4
- Brake fluid replacement:
 1. When disassembling the master cylinder or caliper, replace the brake fluid. Normally check the brake fluid level and add fluid as required.
 2. On the inner parts of the master cylinder and caliper, replace the oil seals every two years.
 3. Replace the brake hoses every four years, or if cracked or damaged.

SEAT, CARRIERS, FENDERS AND FUEL TANK
SEAT AND SIDE PANELS

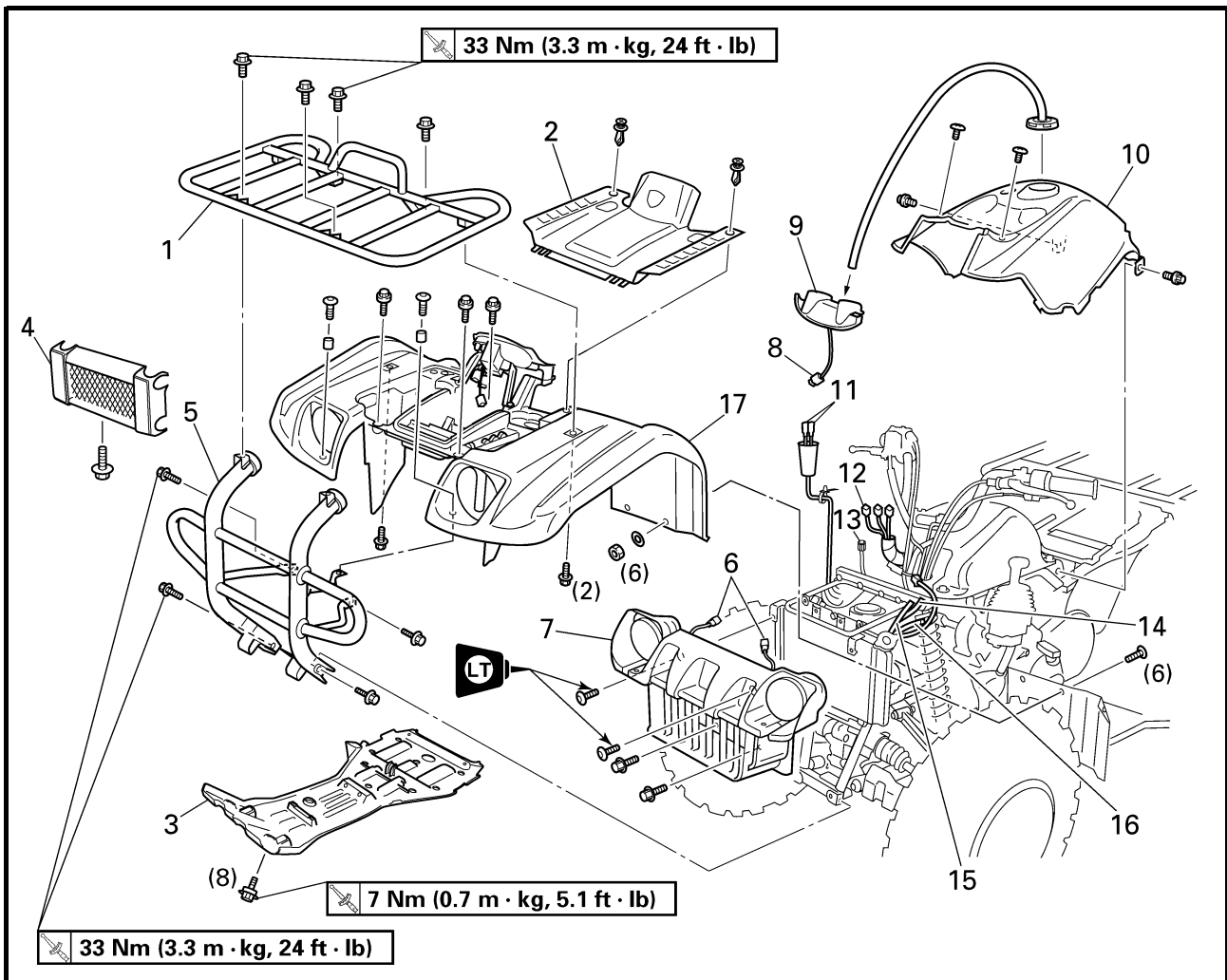


Order	Job name/Part name	Q'ty	Remarks
1	Removing the seat and side panels Seat	1	Remove the parts in the order below. NOTE: _____ Pull up the seat lock lever, then pull up on the rear of the seat.
2	Fuel tank side panel (left)	1	
3	Fuel tank side panel (right)	1	
4	Engine side panel	1	
5	Engine side cover	1	
			For installation, reverse the removal procedure.

FRONT CARRIER, FRONT BUMPER AND FRONT FENDER

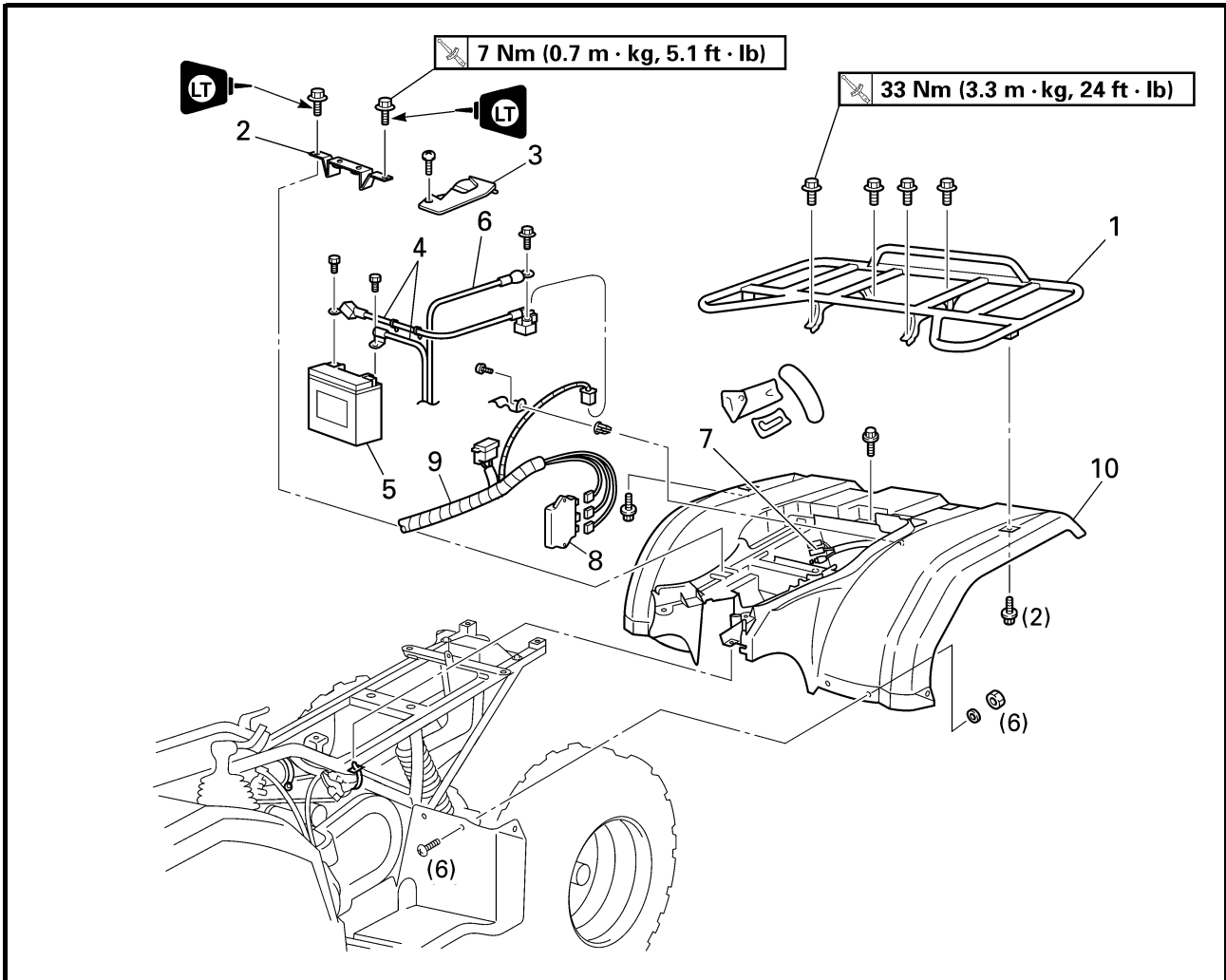


Order	Job name/Part name	Q'ty	Remarks
	Removing the front carrier, front bumper and front fender		Remove the parts in the order below.
	Seat and fuel tank side panels		Refer to "SEAT AND SIDE PANELS".
1	Front carrier	1	
2	Front fender panel	1	
3	Engine skid plate	1	
4	Front bumper cover	1	
5	Front bumper	1	
6	Headlight coupler	2	Disconnect.
7	Front grill	1	
8	Main switch coupler	1	Disconnect.
9	Handlebar cover	1	
10	Fuel tank cover	1	

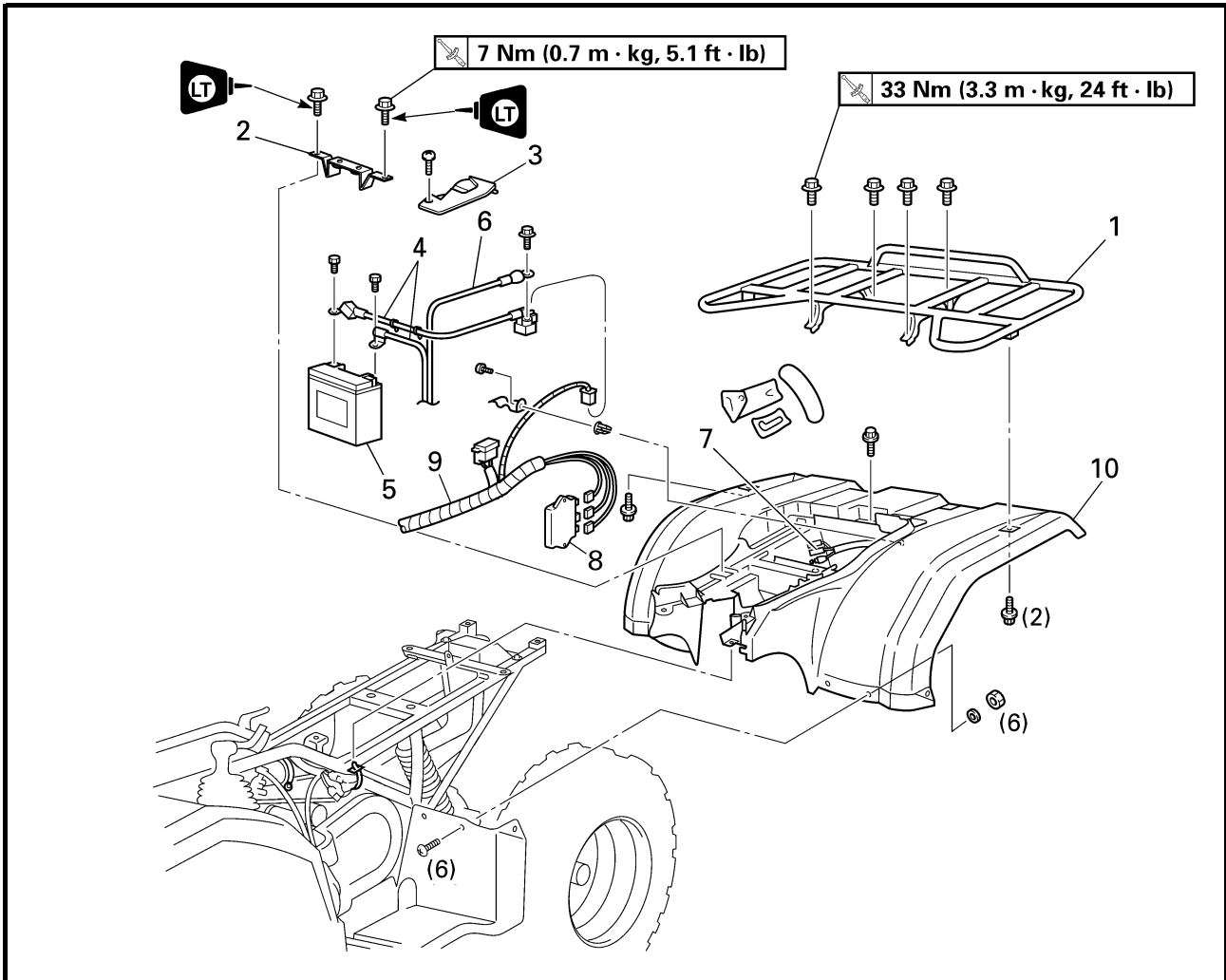


Order	Job name/Part name	Q'ty	Remarks
11	Auxiliary DC jack connector	2	Disconnect.
12	Meter assembly coupler	3	Disconnect.
13	Speedometer cable	1	Disconnect.
14	Coolant reservoir breather hose	1	
15	Fan motor breather hose	1	
16	Differential gear case breather hose	1	
17	Front fender	1	
			For installation, reverse the removal procedure.

REAR CARRIER AND REAR FENDER

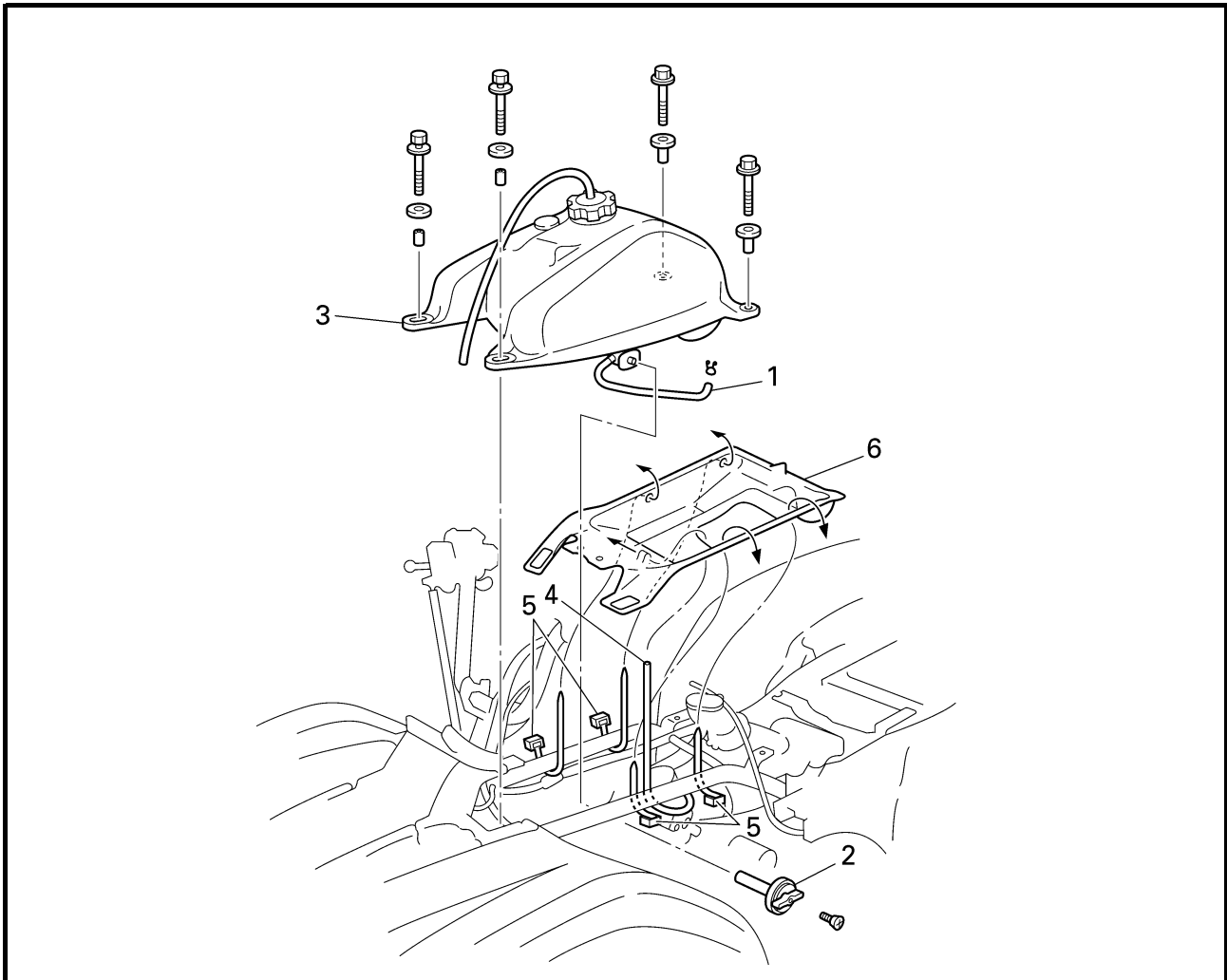


Order	Job name/Part name	Q'ty	Remarks
	Removing the rear carrier and rear fender		Remove the parts in the order below.
	Seat and fuel tank side panels		Refer to "SEAT AND SIDE PANELS".
	Fuel tank		Refer to "FUEL TANK".
1	Rear carrier	1	
2	Battery holding bracket	1	
3	Battery lead cover	1	
4	Battery lead	2	Disconnect.
			CAUTION: <u>First disconnect the negative lead, then disconnect the positive lead.</u>
5	Battery		
6	Starter relay ground lead	1	Disconnect.
7	Tail/brake light connector	3	Disconnect.



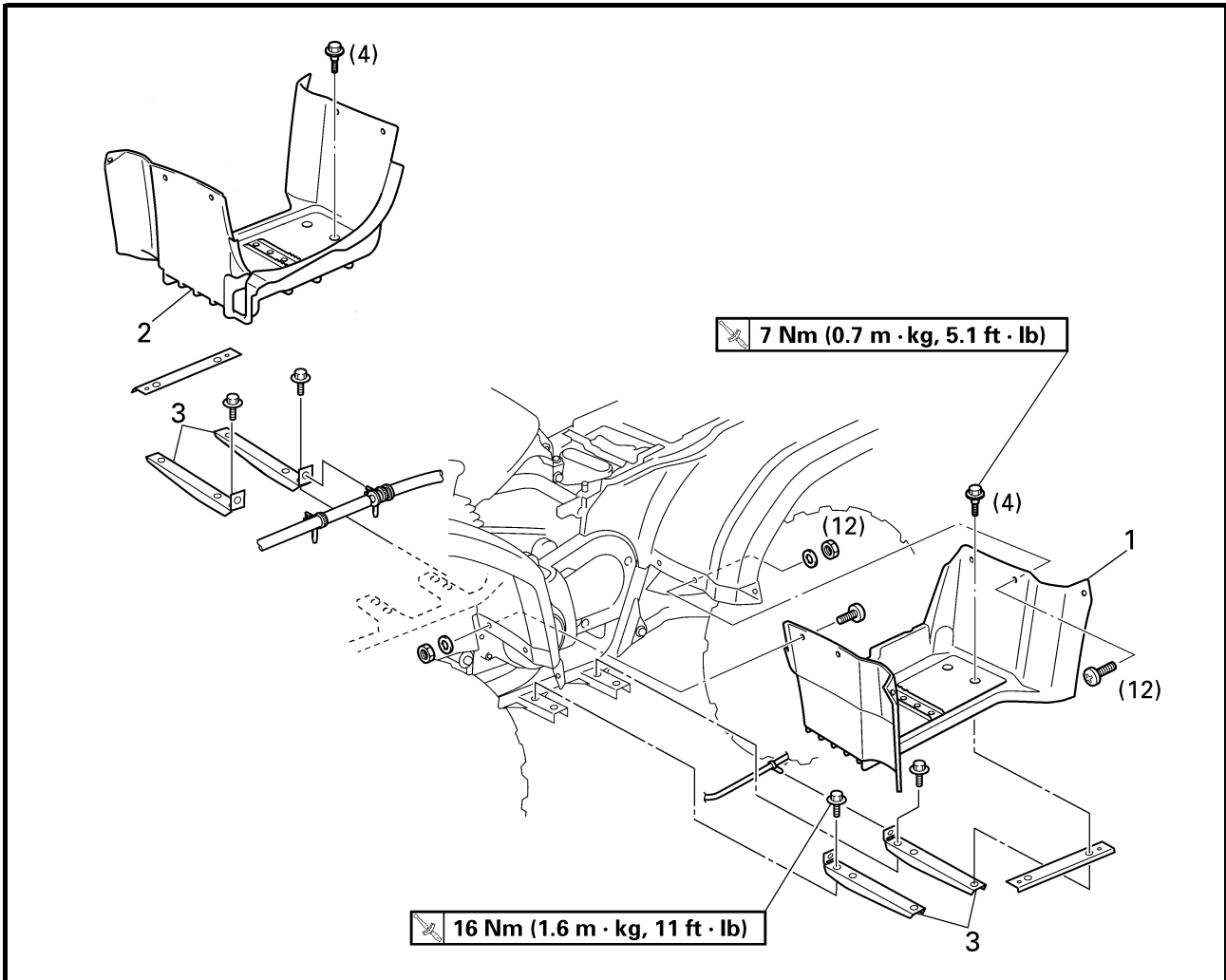
Order	Job name/Part name	Q'ty	Remarks
8	C.D.I. unit	1	For installation, reverse the removal procedure.
9	Wire harness	1	
10	Rear fender	1	

FUEL TANK



Order	Job name/Part name	Q'ty	Remarks
	Removing the fuel tank		
	Seat and fuel tank side panels		Remove the parts in the order below. Refer to "SEAT AND SIDE PANELS". Refer to "FRONT CARRIER, FRONT BUMPER AND FRONT FENDER".
	Fuel tank cover		
1	Fuel hose	1	
2	Fuel cock lever	1	NOTE: _____ Before disconnecting the fuel hose, turn the fuel cock to "OFF".
3	Fuel tank	1	NOTE: _____ When installing the fuel tank, pass the fuel tank breather hose through the hole of the handlebar protector.
4	Float chamber air vent hose	1	
5	Plastic band	4	
6	Rubber cover	1	
			For installation, reverse the removal procedure.

FOOTREST BOARDS



Order	Job name/Part name	Q'ty	Remarks
	Removing the footrest boards		Remove the parts in the order below. Refer to "SEAT AND SIDE PANELS".
1	Left footrest board	1	
2	Right footrest board	1	
3	Footrest bracket	4	
			For installation, reverse the removal procedure.

ENGINE

ADJUSTING THE VALVE CLEARANCE

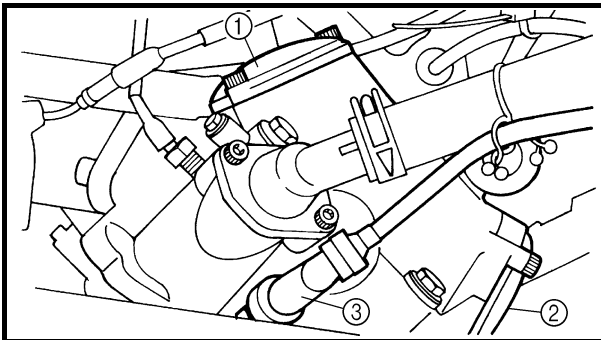
NOTE: _____

- The valve clearance must be adjusted when the engine is cool to the touch.
- Adjust the valve clearance when the piston is at the Top Dead Center (T.D.C.) on the compression stroke.

1.Remove:

- Seat
- Front carrier
- Front fender
- Fuel tank

Refer to "SEAT, CARRIERS, FENDERS AND FUEL TANK".



2.Remove:

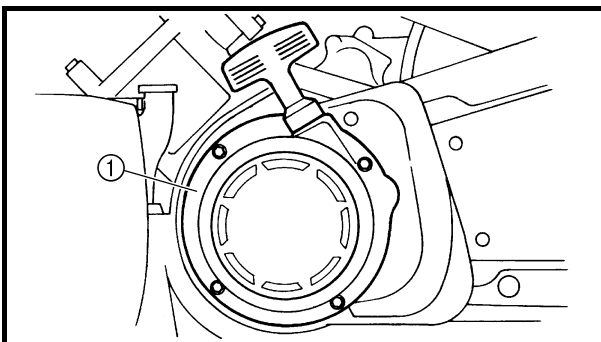
- Tappet cover (intake) ①
- Tappet cover (exhaust) ②

3.Disconnect:

- Spark plug cap ③

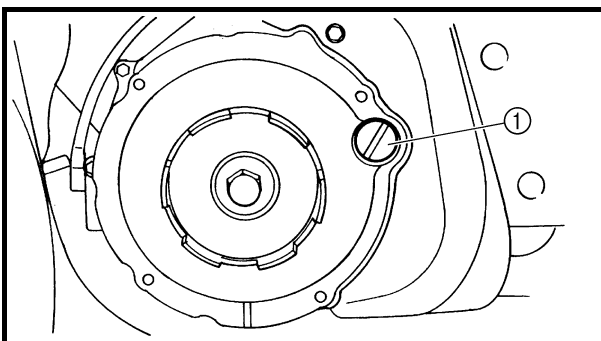
4.Remove:

- Spark plug



5.Remove:

- Recoil starter ①



6.Remove:

- Timing plug ①

7. Check:

- Valve clearance
Out of specification → Adjust.



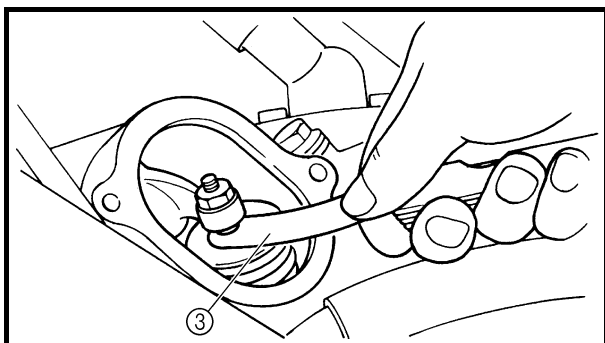
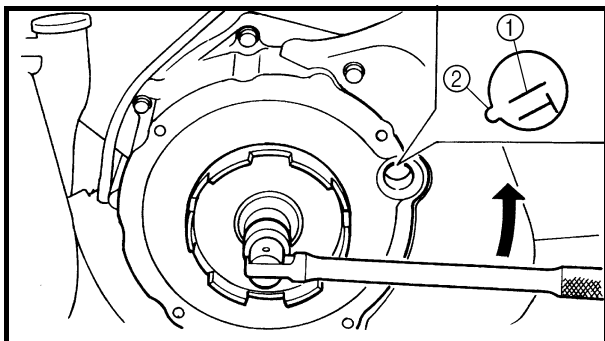
Valve clearance (cold):

Intake:

0.06 ~ 0.10 mm
(0.0024 ~ 0.0039 in)

Exhaust:

0.16 ~ 0.20 mm
(0.0063 ~ 0.0079 in)



Checking steps:

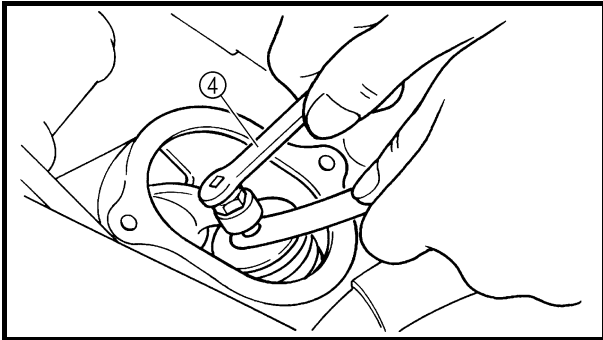
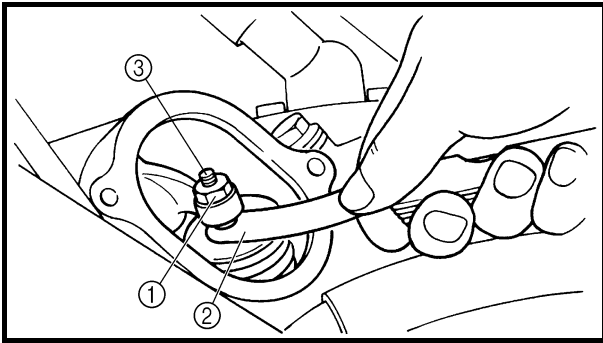
- Turn the crankshaft counterclockwise with a wrench.
- Align the “T” mark ① on the rotor with the stationary pointer ② on the crankcase cover. When the “T” mark is aligned with the stationary pointer, the piston is at the Top Dead Center (T.D.C.).

NOTE:

- When the piston is at the Top Dead Center (T.D.C.) on the compression stroke, there should be clearance between the valve stem tips and their respective rocker arm adjusting screws.
- If there is no clearance, rotate the crankshaft counterclockwise one turn.

- Measure the valve clearance using a feeler gauge ③.

ADJUSTING THE VALVE CLEARANCE



- 8.Adjust:
- Valve clearance

Adjustment steps:

- Loosen the locknut ①.
- Insert a feeler gauge ② between the adjuster end and the valve end.
- Turn the adjuster ③ clockwise or counterclockwise with the valve adjusting tool ④ until the proper clearance is obtained.



Tappet adjusting tool:
P/N. YM-08035, 90890-01311

- Hold the adjuster to prevent it from moving, and then tighten the locknut.



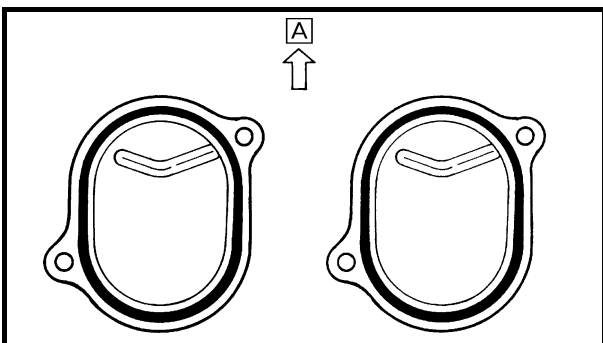
Locknut:
20 Nm (2.0 m • kg, 14 ft • lb)

- Measure the valve clearance.
- If the clearance is incorrect, repeat the above steps until the proper clearance is obtained.

- 9.Install:
- All removed parts

NOTE:

Install all removed parts in the reverse order of their disassembly. Note the following points.



- 10.Install:

- Recoil starter

10 Nm (1.0 m • kg, 7.2 ft • lb)

- Spark plug

18 Nm (1.8 m • kg, 13 ft • lb)

- Tappet covers

10 Nm (1.0 m • kg, 7.2 ft • lb)

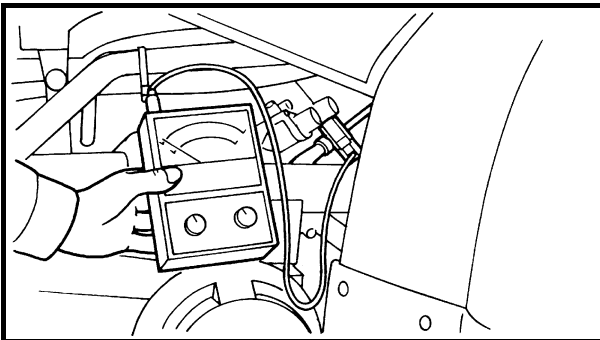
NOTE:

Install the tappet covers with the ridge facing up **A**.

11. Install:

- Fuel tank
- Front fender
- Front carrier
- Seat

Refer to “SEAT, CARRIERS, FENDERS AND FUEL TANK”.



ADJUSTING THE IDLING SPEED

1. Start the engine and let it warm up for several minutes.

2. Remove:

- Seat
 - Fuel tank side panels
- Refer to “SEAT, CARRIERS, FENDERS AND FUEL TANK”.

3. Attach:

- Inductive self-powered tachometer or engine tachometer
(to the spark plug lead)



**Inductive self-powered tachometer:
P/N. YU-8036-B
Engine tachometer:
P/N. 90890-03113**

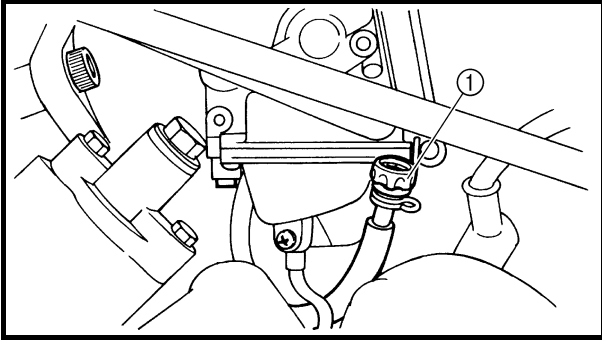
4. Check:

- Engine idling speed
Out of specification → Adjust.



**Engine idling speed:
1,450 ~ 1,550 r/min**

ADJUSTING THE IDLING SPEED/ ADJUSTING THE THROTTLE LEVER FREE PLAY



- 5.Adjust:
- Engine idling speed

Adjustment steps:

- Turn the throttle stop screw ① in or out until the specified idling speed is obtained.

Turning in	Idling speed becomes higher.
Turning out	Idling speed becomes lower.

- 6.Detach:
- Inductive or engine tachometer
- 7.Adjust:
- Throttle lever free play
- Refer to “ADJUSTING THE THROTTLE LEVER FREE PLAY”.

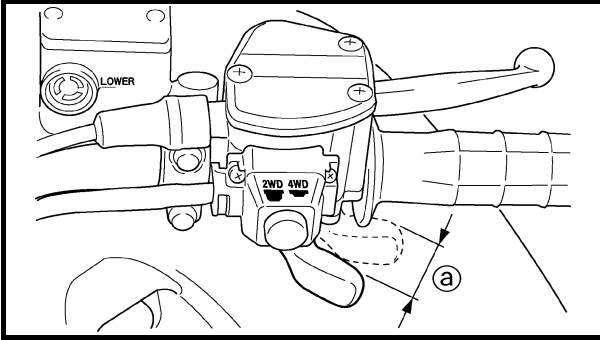
	Throttle lever free play: 3 ~ 5 mm (0.12 ~ 0.20 in)
--	---

- 8.Install:
- Fuel tank side panels
 - Seat
- Refer to “SEAT, CARRIERS, FENDERS AND FUEL TANK”.

ADJUSTING THE THROTTLE LEVER FREE PLAY

NOTE: _____
 Engine idling speed should be adjusted properly before adjusting the throttle lever free play.

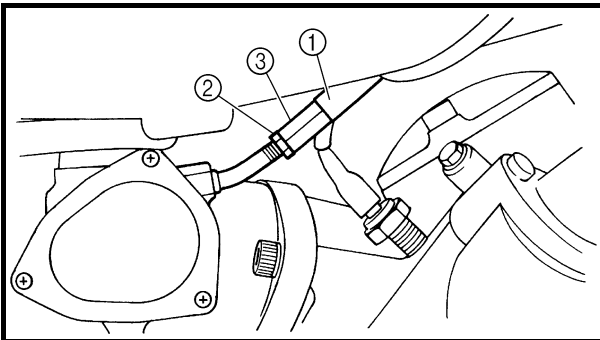
ADJUSTING THE THROTTLE LEVER FREE PLAY



1. Check:
- Throttle lever free play ^a
- Out of specification → Adjust.

	Throttle lever free play: 3 ~ 5 mm (0.12 ~ 0.20 in)
--	---

2. Remove:
- Seat
 - Fuel tank side panel (right)
- Refer to “SEAT, CARRIERS, FENDERS AND FUEL TANK”.



3. Adjust:
- Throttle lever free play

Adjustment steps:

First step:

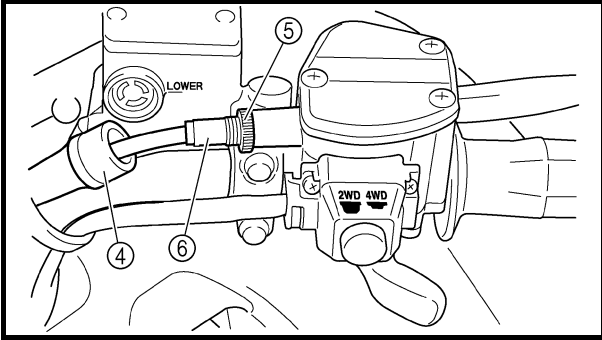
- Pull back the adjuster cover ①.
- Loosen the locknut ② on the carburetor side.
- Turn the adjuster ③ in or out until the correct free play is obtained.

Turning in	Free play is increased.
Turning out	Free play is decreased.

- Tighten the locknut ②.
- Push in the adjuster cover ①.

NOTE: _____
If the free play cannot be adjusted here, adjust it at the throttle lever side of the cable.

ADJUSTING THE THROTTLE LEVER FREE PLAY/ ADJUSTING THE SPEED LIMITER



Second step:

- Pull back the adjuster cover ④.
- Loosen the locknut ⑤.
- Turn the adjuster ⑥ in or out until the correct free play is obtained.

Turning in	Free play is increased.
Turning out	Free play is decreased.

- Tighten the locknut ⑤.
- Push in the adjuster cover ④.

⚠ WARNING

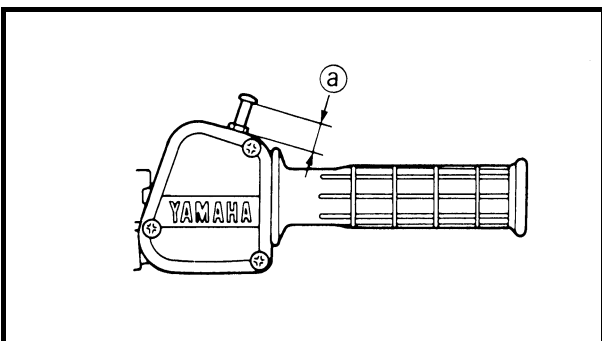
After adjusting the free play, turn the handlebar to the right and left to make sure that the engine idling speed does not increase.

4. Install:

- Fuel tank side panel (right)
- Seat
Refer to "SEAT, CARRIERS, FENDERS AND FUEL TANK".

ADJUSTING THE SPEED LIMITER

The speed limiter keeps the carburetor throttle from becoming fully-opened even when the throttle lever is applied to the maximum position. Screwing in the adjuster stops the engine speed from increasing.

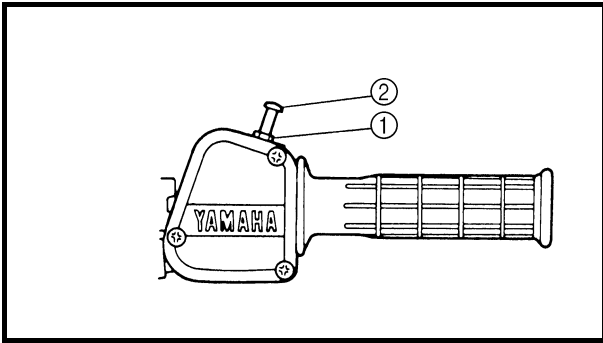


1. Check:

- Speed limiter length ①
Out of specification → Adjust.

	Speed limiter length: 12 mm (0.47 in)
--	--

ADJUSTING THE SPEED LIMITER/ ADJUSTING THE STARTER CABLE



2.Adjust:

- Speed limiter length

Speed limiter length adjustment steps:

- Loosen the locknut ①.
- Turn the adjuster ② in or out until the specified speed limiter length is obtained.

Turning in	Speed limiter length is decreased.
Turning out	Speed limiter length is increased.

- Tighten the locknut.

⚠ WARNING

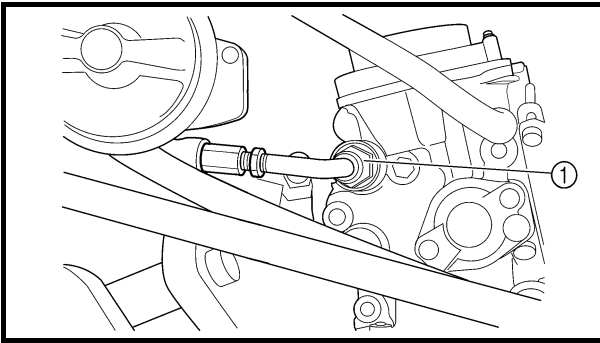
- Particularly for a beginner rider, the speed limiter should be screwed in completely. Screw it out little by little as their riding technique improves. Never remove the speed limiter for a beginning rider.
- For proper throttle lever operation do not turn out the adjuster more than 12 mm (0.47 in). Also, always adjust the throttle lever free play to 3 ~ 5 mm (0.12 ~ 0.20 in).

ADJUSTING THE STARTER CABLE

1.Remove:

- Seat
- Fuel tank side panel (left)
Refer to "SEAT, CARRIERS, FENDERS AND FUEL TANK".

ADJUSTING THE STARTER CABLE



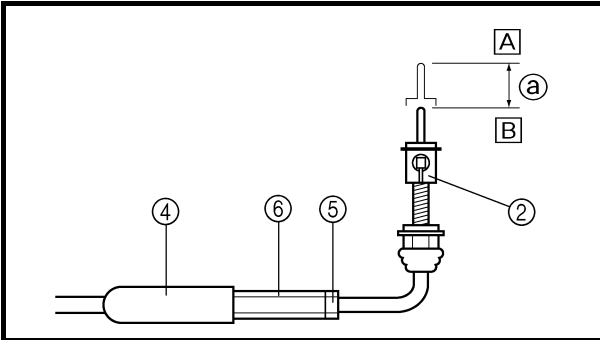
2.Adjust:

Adjustment steps:

- Disconnect the starter cable ① from the carburetor body.

NOTE:

Do not remove the starter plunger ② from the starter cable.



- Measure the starter plunger stroke distance ① of the starter lever ③ fully close to fully open position. If the distance is out of specification adjust it as described below.

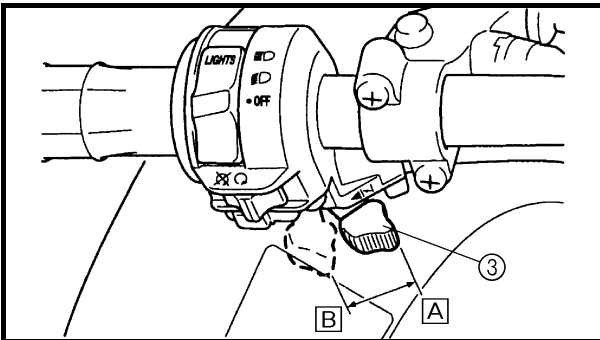


**Starter plunger stroke distance:
15 mm (0.59 in)**

A Fully closed position

B Fully open position

- Pull back the boot ④.
- Loosen the locknut ⑤.
- Turn the adjuster ⑥ in or out until the correct free play is obtained.



Turning in

Free play increased.

Turning out

Free play decreased.

- Tighten the locknut ⑤.
- Push in the boot ④.
- Connect the starter cable to the carburetor.

⚠ WARNING

After adjusting the cable, turn the handlebar to right and left, and make sure that the engine idling speed does not increase.

3.Install:

- Fuel tank side panel (left)
- Seat
Refer to "SEAT, CARRIERS, FENDERS AND FUEL TANK".

CHECKING THE SPARK PLUG

1. Remove:

- Seat
- Fuel tank side panel (right)
Refer to “SEAT, CARRIERS, FENDERS AND FUEL TANK”.

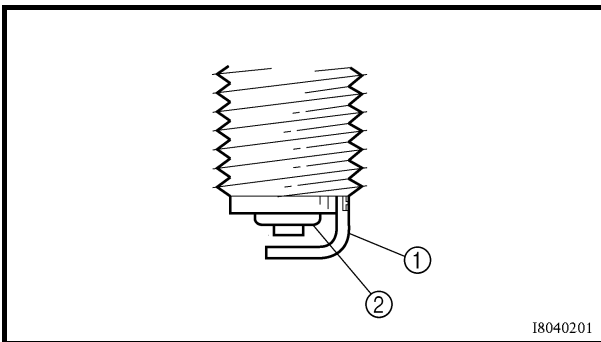
2. Remove:

- Spark plug

3. Check:

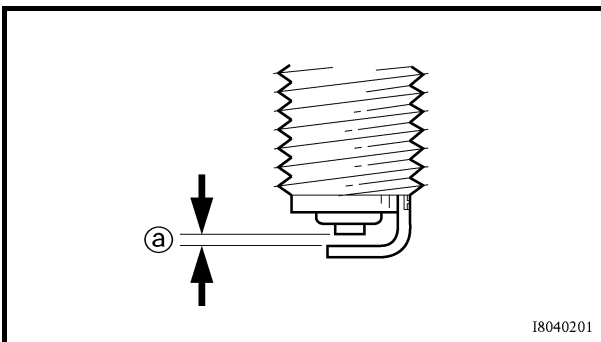
- Spark plug type
Incorrect → Replace.

**Standard spark plug:
DR8EA/NGK**



4. Check:

- Electrode ①
Wear/damage → Replace.
 - Insulator ②
Abnormal color → Replace.
Normal color is a medium-to-light tan color.
5. Clean the spark plug with a spark plug cleaner or wire brush.




6. Measure:

- Plug gap ③
Use a wire gauge or feeler gauge.
Out of specification → Regap.



**Spark plug gap:
0.6 ~ 0.7 mm (0.024 ~ 0.028 in)**

7. Tighten:

- Spark plug  **18 Nm (1.8 m • kg, 13 ft • lb)**

NOTE:

Before installing a spark plug, clean the gasket surface and plug surface.


8. Install:

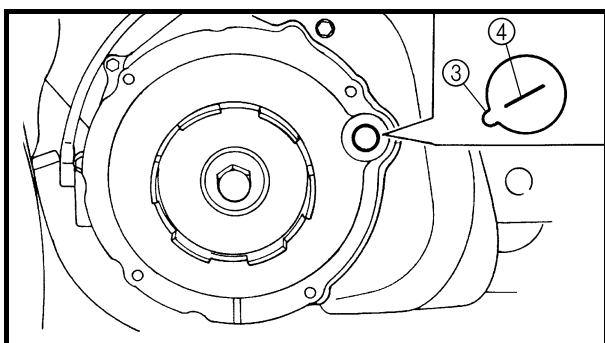
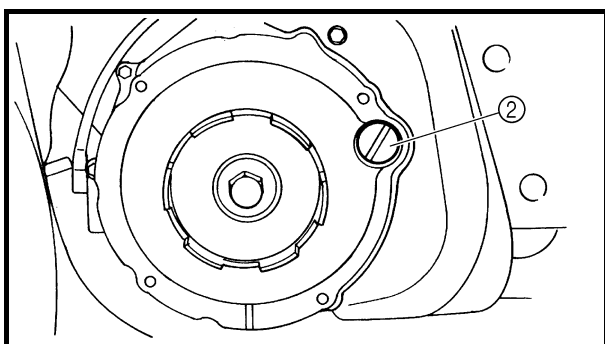
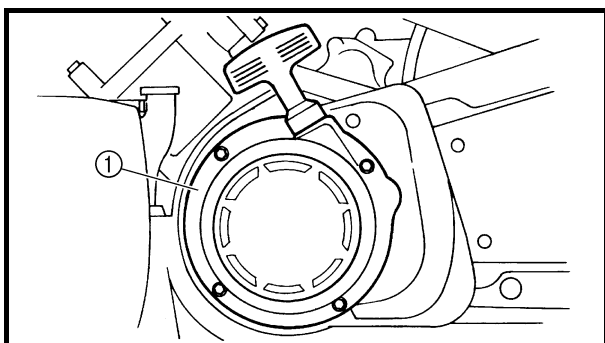
- Fuel tank side panel (right)
- Seat
Refer to “SEAT, CARRIERS, FENDERS AND FUEL TANK”.

CHECKING THE IGNITION TIMING

NOTE: Engine idling speed and throttle cable free play should be adjusted properly before checking the ignition timing.

1. Remove:
 - Seat
 - Fuel tank side panel (right)
Refer to "SEAT, CARRIERS, FENDERS AND FUEL TANK".
2. Attach:
 - Inductive self-powered tachometer or engine tachometer
 - Timing light
(to spark plug lead)


	Inductive self-powered tachometer: P/N. YU-8036-B Engine tachometer: P/N. 90890-03113 Timing light: P/N. YM-33277-A, 90890-03141
---	--



3. Check:
 - Ignition timing

Checking steps:

- Warm up the engine and keep it at the specified speed.

	Engine speed: 1,450 ~ 1,550 r/min
---	---

- Remove the recoil starter ①.
- Remove the timing plug ②.
- Visually check the stationary pointer ③ to verify it is within the required firing range ④ indicated on the flywheel.
Incorrect firing range → Check the pickup coil.
- Install the timing plug.
- Install the recoil starter.

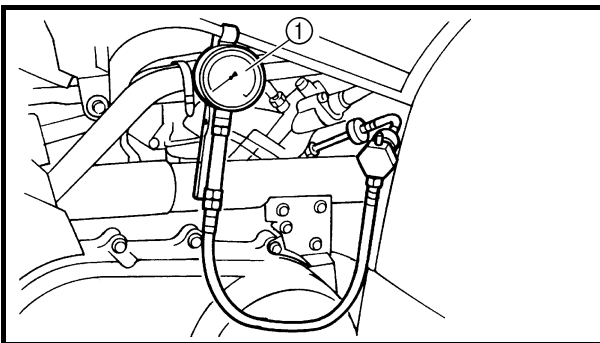
	Recoil starter bolt: 10 Nm (1.0 m • kg, 7.2 ft • lb) LOCTITE®
---	--

4. Detach:
 - Timing light
 - Inductive self-powered tachometer or engine tachometer
5. Install:
 - Seat
 - Fuel tank side panel (right)
Refer to "SEAT, CARRIERS, FENDERS AND FUEL TANK".

MEASURING THE COMPRESSION PRESSURE

NOTE: _____
Insufficient compression pressure will result in a loss of performance.

1. Check:
 - Valve clearance
Out of specification → Adjust.
Refer to "ADJUSTING THE VALVE CLEARANCE".
2. Start the engine and let it warm up for several minutes.
3. Stop the engine.
4. Remove:
 - Seat
 - Fuel tank side panel (right)
Refer to "SEAT, CARRIERS, FENDERS AND FUEL TANK".
5. Remove:
 - Spark plug
6. Attach:
 - Adapter
 - Compression gauge ①




Compression gauge:
P/N. YU-33223, 90890-03081
Adapter:
P/N. YU-33223-3, 90890-04082

7.Measure:

- Compression pressure
 - Above the maximum pressure:
 - Check the cylinder head, valve surfaces, and piston crown for carbon deposits.
 - Below the minimum pressure:
 - Squirt a few drops of oil into the affected cylinder and measure again.
- Refer to the table below.

Compression pressure (with oil introduced into cylinder)	
Reading	Diagnosis
Higher than without oil	Worn or damaged pistons
Same as without oil	Defective ring(s), valves, cylinder head gasket or piston is possible.

	<p>Compression pressure (at sea level):</p> <p>Standard: 1,400 kPa (14 kg/cm², 203 psi)</p> <p>Minimum: 1,218 kPa (12.2 kg/cm², 177 psi)</p> <p>Maximum: 1,568 kPa (15.7 kg/cm², 227 psi)</p>
--	--

Measurement steps:


- Crank over the engine with the electric starter (be sure the battery is fully charged) with the throttle wide-open until the compression reading on the gauge stabilizes.

⚠ WARNING

When cranking the engine, ground the spark plug lead to prevent sparking.

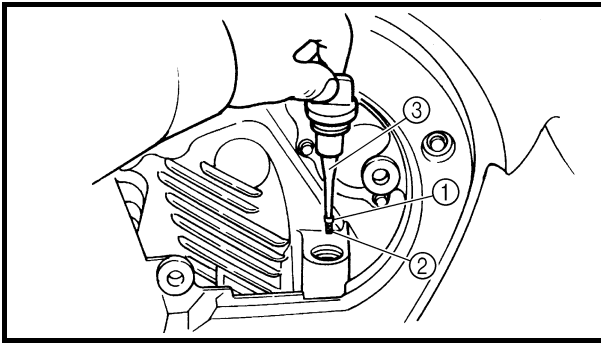
8.Install:

- Spark plug

 18 Nm (1.8 m • kg, 13 ft • lb)
--

9.Remove:

- Fuel tank side panel (right)
 - Seat
- Refer to “SEAT, CARRIERS, FENDERS AND FUEL TANK”.



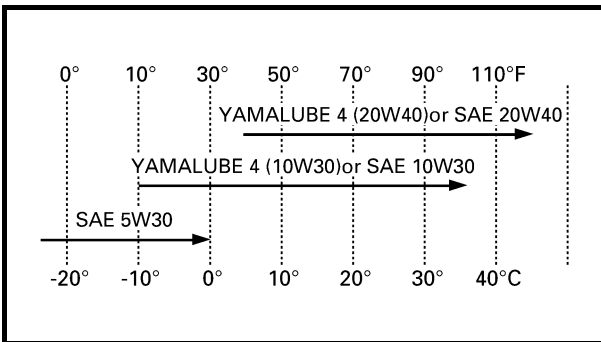
CHECKING THE ENGINE OIL LEVEL

1. Place the machine on a level surface.
2. Remove:
 - Engine side panel
Refer to "SEAT, CARRIERS, FENDERS AND FUEL TANK".
3. Check:
 - Engine oil level
Oil level should be between the maximum level mark ① and minimum level mark ②.
Oil level low → Add oil to the proper level.

NOTE:

Do not screw the dipstick ③ in when checking the oil level.

Recommended oil:
Follow the left chart.



NOTE:

Recommended oil classification:
API Service "SE", "SF" type or equivalent (e.g. "SF-SE-CC", "SF-SE-SD" etc.)

CAUTION:

Do not allow foreign material to enter the crankcase.

4. Start the engine and let it warm up for several minutes.
5. Stop the engine and check the oil level again.

NOTE:

Wait a few minutes until the oil settles before checking the oil level.

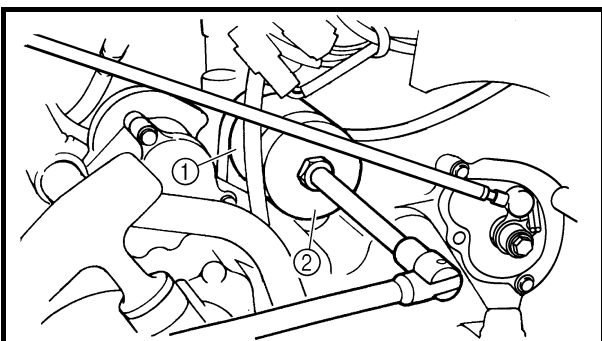
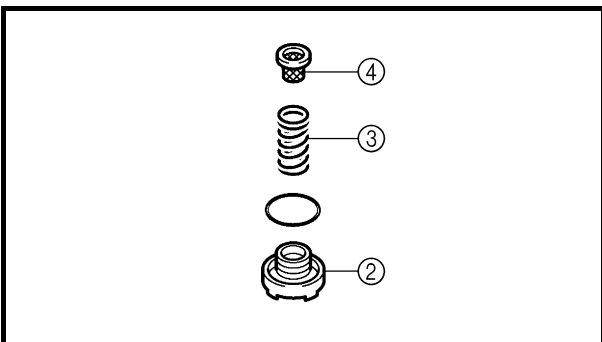
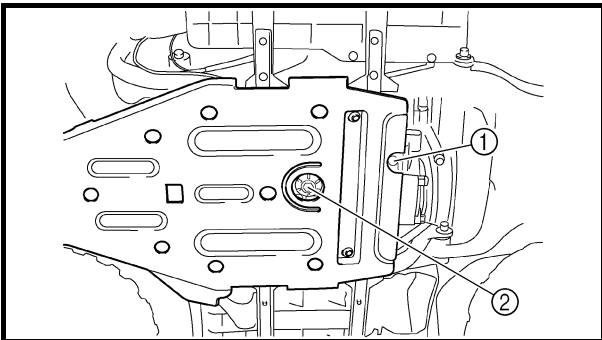
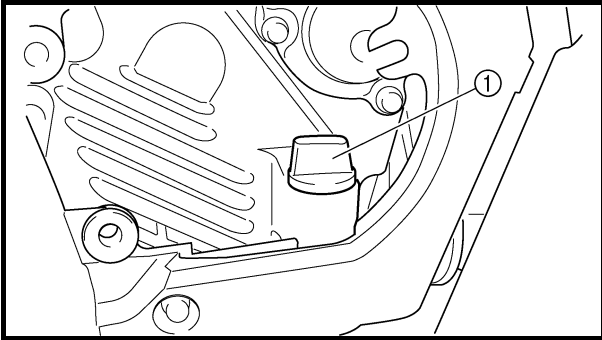
⚠ WARNING

Never remove the dipstick just after high speed operation because the heated oil could spurt out. Wait until the oil cools down before removing the dipstick.

6. Install:
 - Engine side panel
Refer to "SEAT, CARRIERS, FENDERS AND FUEL TANK".

CHANGING THE ENGINE OIL

1. Start the engine and let it warm up for several minutes.
2. Stop the engine and place an oil pan under the engine.
3. Remove:
 - Seat
 - Fuel tank side panel (left)
 - Engine side cover
 Refer to "SEAT, CARRIERS, FENDERS AND FUEL TANK".
4. Remove:
 - Engine oil filler plug (dipstick) ①




5. Remove:
 - Engine oil drain bolt ①
Drain the engine oil.
 - Oil strainer cover ②
 - Compression spring ③
 - Oil strainer ④
6. Clean:
 - Oil strainer ④

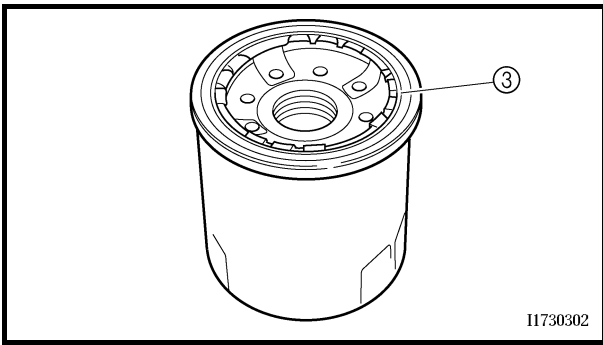
7. If the oil filter cartridge is also to be replaced, perform the following procedure.

Replacement steps:

- Remove the oil filter cartridge ① with an oil filter wrench ②.

	Oil filter wrench: P/N. YU-38411, 90890-01426
---	---

CHANGING THE ENGINE OIL



- Lubricate the O-ring ③ of the new oil filter cartridge with a thin coat of engine oil.

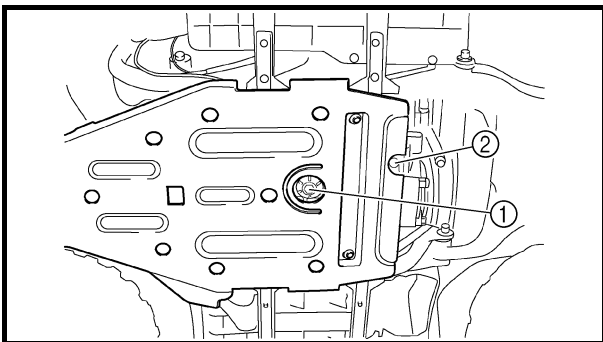
CAUTION:

Make sure that the O-ring ③ is positioned correctly in the groove of the oil filter cartridge.

- Tighten the new oil filter cartridge to specification with an oil filter wrench.



Oil filter cartridge:
17 Nm (1.7 m • kg, 12 ft • lb)



8. Install:

- Oil strainer
- Compression spring
- Oil strainer cover ①

32 Nm (3.2 m • kg, 23 ft • lb)

- Engine oil drain bolt ②

23 Nm (2.3 m • kg, 17 ft • lb)

9. Fill:

- Crankcase

Refer to “CHECKING THE ENGINE OIL LEVEL”.



Oil quantity:
Periodic oil change:
 2.3 L (2.0 Imp qt, 2.4 US qt)
With oil filter replacement:
 2.4 L (2.1 Imp qt, 2.5 US qt)
Total amount:
 2.6 L (2.3 Imp qt, 2.7 US qt)

10. Install:

- Engine oil filler plug

11. Warm up the engine for a few minutes, then stop the engine.

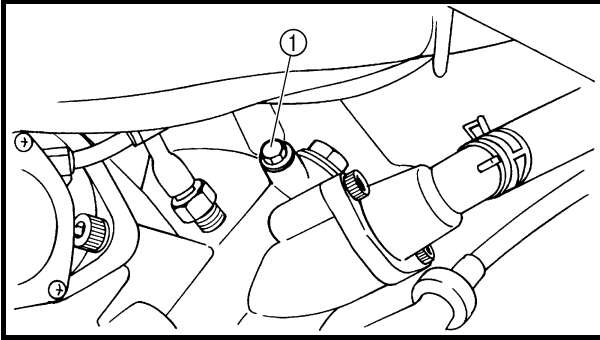
12. Check:

- Engine (for engine oil leaks)

- Oil level

Refer to “CHECKING THE ENGINE OIL LEVEL”.

CHANGING THE ENGINE OIL/ CLEANING THE AIR FILTER



13. Check:

- Engine oil pressure

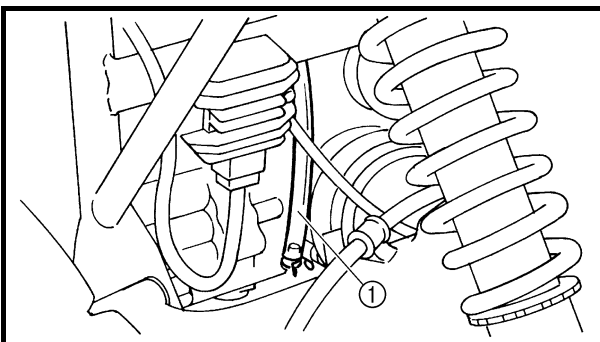
- Slightly loosen the oil gallery bolt ①.
- Start the engine and keep it idling until engine oil starts to seep from the oil gallery bolt. If no engine oil comes out after one minute, turn the engine off so that it will not seize.
- Check the engine oil passages, the oil filter cartridge and the oil pump for damage or leakage. Refer to “CRANKCASE” in CHAPTER 4.
- Start the engine after solving the problem(s) and check the engine oil pressure again.
- Tighten the oil gallery bolt to specification.



Oil gallery bolt:
7 Nm (0.7 m • kg, 5.1 ft • lb)

14. Install:

- Engine side cover
- Fuel tank side panel (left)
- Seat
Refer to “SEAT, CARRIERS, FENDERS AND FUEL TANK”.

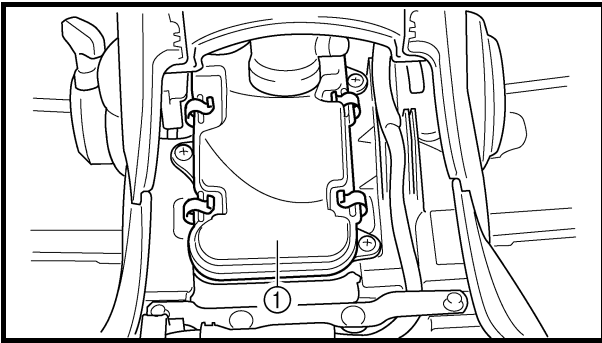


CLEANING THE AIR FILTER

NOTE: _____

There is a check hose ① at the bottom of the air filter case. If dust and/or water collects in this hose, clean the air filter element and air filter case.

CLEANING THE AIR FILTER

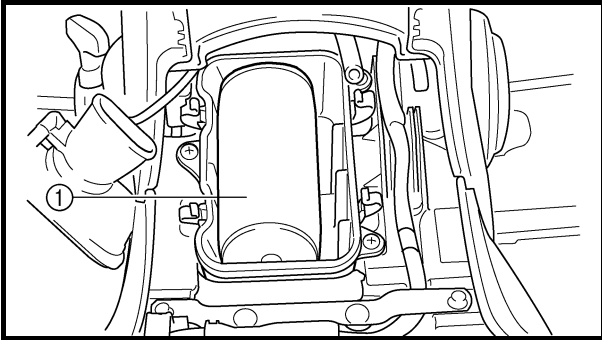


1.Remove:

- Seat
Refer to “SEAT, CARRIERS, FENDERS AND FUEL TANK”.

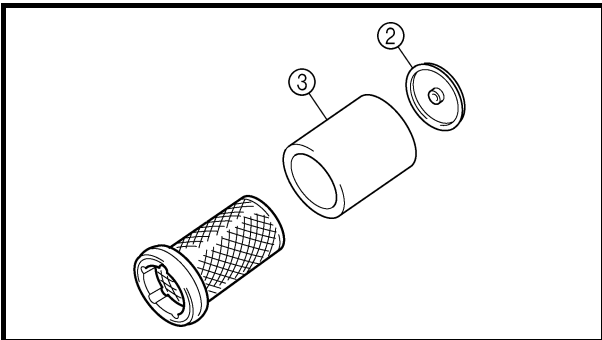
2.Remove:

- Air filter case cover ①



3.Remove:

- Air filter element assembly ①
- Air filter element cap
- Air filter element



② Air filter element cap

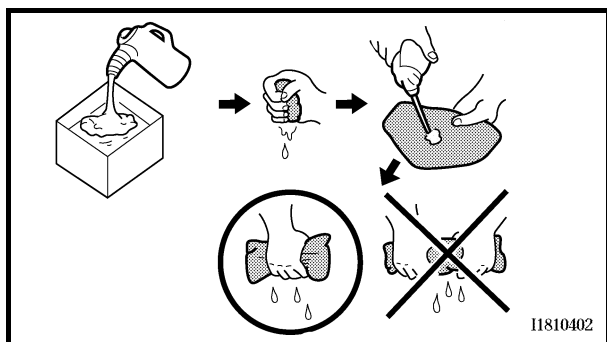
③ Air filter element

CAUTION:

Never operate the engine with the air filter element removed. This will allow unfiltered air to enter, causing rapid wear and possible engine damage. Additionally, operation without the filter element will affect carburetor tuning with subsequent poor performance and possible engine overheating.

4.Check:

- Air filter element
Damaged → Replace.



- 5.Clean:
- Air filter element

Cleaning steps:

- Wash the element gently, but thoroughly in solvent.

⚠ WARNING

Use a cleaning solvent which is designed to clean parts only. Never use gasoline or low flash point solvents as they may cause a fire or explosion.

- Squeeze the excess solvent out of the element and let it dry.

CAUTION:

Do not twist or wring out the element. This could damage the foam material.

- Apply engine oil to the element.
- Squeeze out the excess oil.

NOTE:

The element should be wet but not dripping.

- 6.Install:
- Air filter element assembly
 - Air filter case cover

NOTE:

To prevent air leaks make sure that the sealing surface of the element matches the sealing surface of the case.

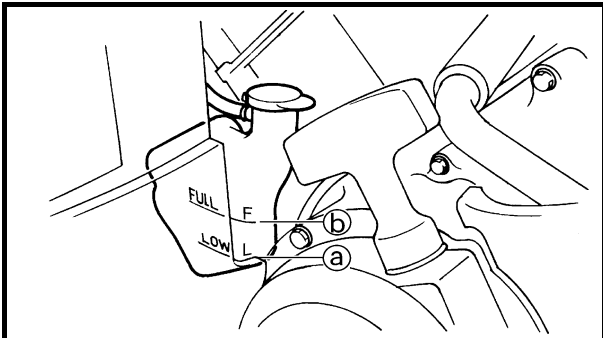
- Seat
Refer to "SEAT, CARRIERS, FENDERS AND FUEL TANK".

CHECKING THE COOLANT LEVEL

1. Place the machine on a level surface.

2. Remove:

- Seat
- Fuel tank side panel (left)
Refer to “SEAT, CARRIERS, FENDERS AND FUEL TANK”.



3. Check:

- Coolant level
The coolant level should be between the minimum level mark (a) and maximum level mark (b).
Below the minimum level mark → Add the recommended coolant to the proper level.

CAUTION:

- **Adding water instead of coolant lowers the antifreeze content of the coolant. If water is used instead of coolant, check and if necessary, correct the antifreeze concentration of the coolant.**
- **Use only distilled water. However, soft water may be used if distilled water is not available.**

4. Start the engine, warm it up for several minutes, and then turn it off.

5. Check:

- Coolant level

NOTE:

Before checking the coolant level, wait a few minutes until the coolant has settled.

6. Install:

- Fuel tank side panel (left)
- Seat
Refer to “SEAT, CARRIERS, FENDERS AND FUEL TANK”.

CHANGING THE COOLANT

1. Remove:

- Seat
- Fuel tank side panel (left)
- Engine side cover
- Front carrier
- Engine skid plate
- Front fender

Refer to “SEAT, CARRIERS, FENDERS AND FUEL TANK”.

- Left footrest board

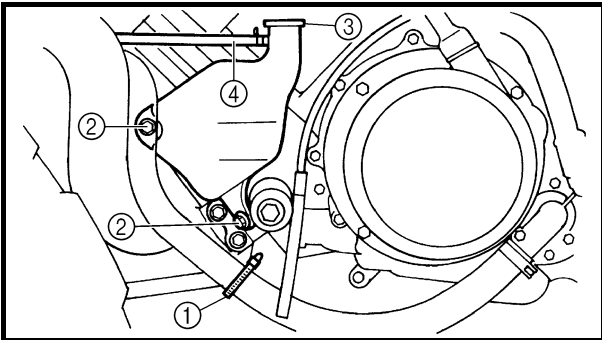
Refer to “FOOTREST BOARDS”.

2. Remove:

- Plastic band ①
- Coolant reservoir bolts ②
- Coolant reservoir cap ③

3. Disconnect:

- Coolant reservoir breather hose ④



4. Drain:

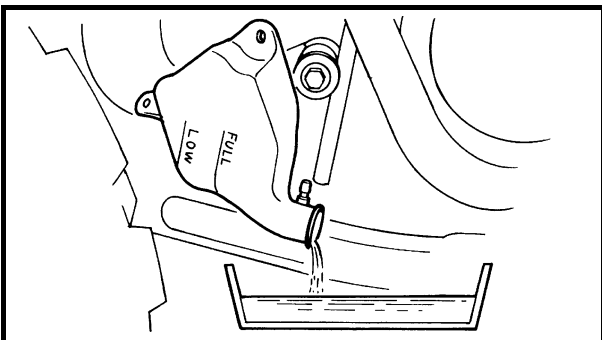
- Coolant
(from the coolant reservoir)

5. Connect:

- Coolant reservoir breather hose

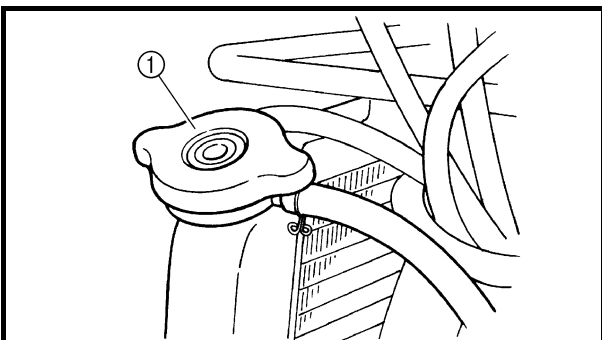
6. Install:

- Coolant reservoir bolts
- Plastic band



7. Remove:

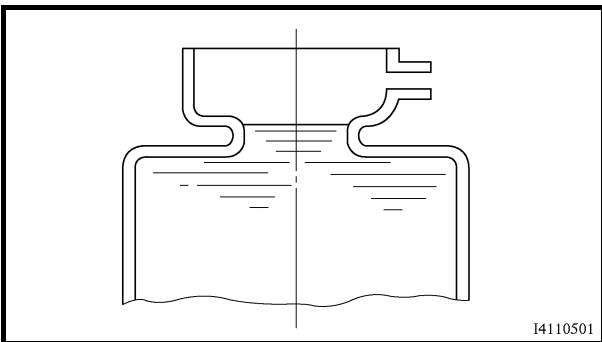
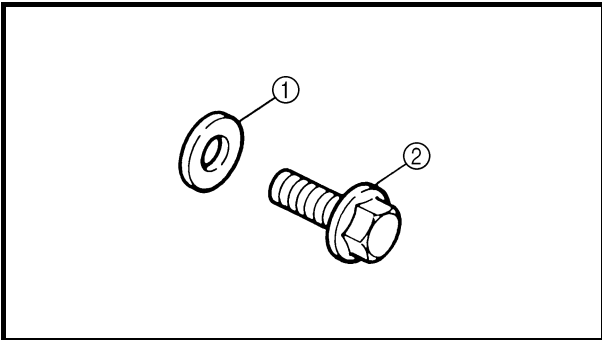
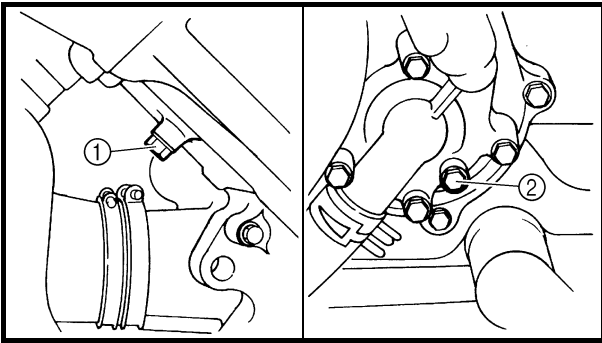
- Radiator cap ①



⚠ WARNING

A hot radiator is under pressure. Therefore, do not remove the radiator cap when the engine is hot. Scalding hot fluid and steam may be blown out, which could cause serious injury. When the engine has cooled, open the radiator cap as follows:

Place a thick rag or a towel over the radiator cap and slowly turn the radiator cap counterclockwise toward the detent to allow any residual pressure to escape. When the hissing sound has stopped, turn the radiator cap counterclockwise while pressing down on it and then remove it.



8.Remove:

- Coolant drain bolt (cylinder) ①
(along with the copper washer)
- Coolant drain bolt (water pump) ②
(along with the copper washer)

9.Drain:

- Coolant

10.Check:

- Copper washer ①
- Coolant drain bolt ②
Damage → Replace.

11.Install:

- Coolant drain bolt (water pump)
10 Nm (1.0 m • kg, 7.2 ft • lb)
- Coolant drain bolt (cylinder)
10 Nm (1.0 m • kg, 7.2 ft • lb)

12.Fill:

- Cooling system
(with the specified amount of the recommended coolant)



Recommended antifreeze
 High-quality ethylene glycol antifreeze containing corrosion inhibitors for aluminum engines
Mixing ratio
 1:1 (antifreeze:water)
Quantity
 Total amount
 1.32 L (1.16 Imp qt, 1.40 US qt)
 Coolant reservoir capacity
 0.39 L (0.34 Imp qt, 0.41 US qt)

Handling notes for coolant

Coolant is potentially harmful and should be handled with special care.

⚠ WARNING

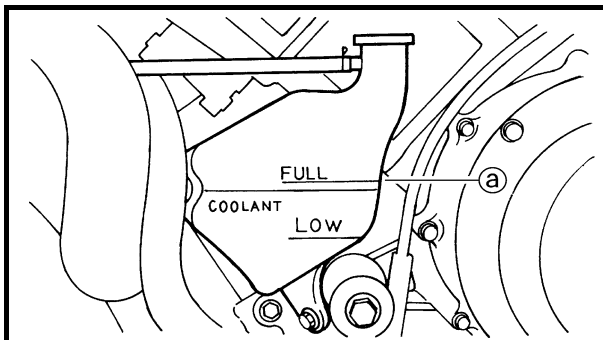
- If coolant splashes in your eyes, thoroughly wash them with water and consult a doctor.
- If coolant splashes on your clothes, quickly wash it away with water and then with soap and water.
- If coolant is swallowed, induce vomiting and get immediate medical attention.

CAUTION:

- Adding water instead of coolant lowers the antifreeze content of the coolant. If water is used instead of coolant, check, and if necessary, correct the antifreeze concentration of the coolant.
- Use only distilled water. However, soft water may be used if distilled water is not available.
- If coolant comes into contact with painted surfaces, immediately wash them with water.
- Do not mix different types of antifreeze.

13. Install:

- Radiator cap



14. Fill:

- Coolant reservoir
(with the recommended coolant to the maximum level mark (a))

15. Install:

- Coolant reservoir cap

16. Start the engine, warm it up for several minutes, and then turn it off.

17. Check:

- Coolant level
Refer to "CHECKING THE COOLANT LEVEL".

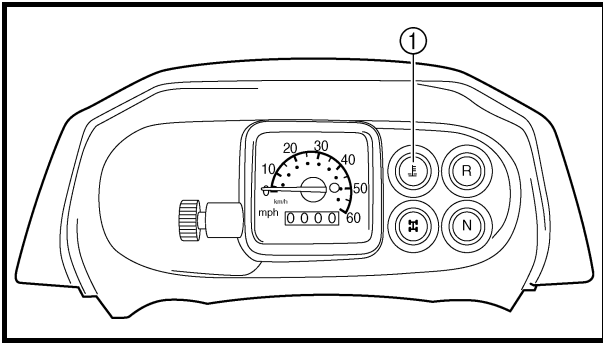
NOTE:

Before checking the coolant level, wait a few minutes until the coolant has settled.

18. Install:

- Left footrest board
Refer to "FOOTREST BOARDS".
- Front fender
- Engine skid plate
- Front carrier
- Engine side cover
- Fuel tank side panel (left)
- Seat
Refer to "SEAT, CARRIERS, FENDERS AND FUEL TANK".

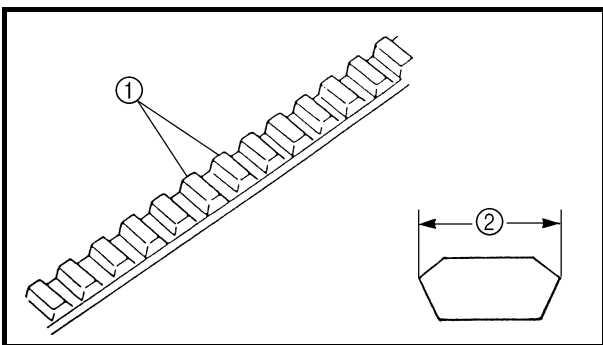
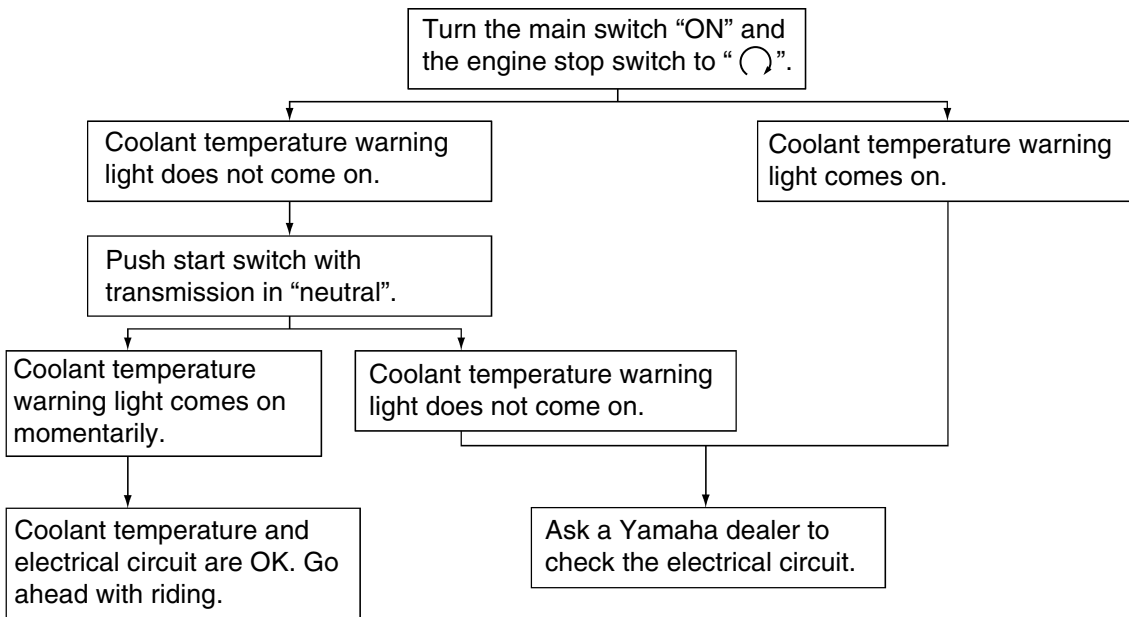
CHECKING THE COOLANT TEMPERATURE WARNING LIGHT/CHECKING THE V-BELT



CHECKING THE COOLANT TEMPERATURE WARNING LIGHT

- ① Coolant temperature warning light

Coolant temperature warning light checking method



CHECKING THE V-BELT

1.Remove:

- Right footrest board
Refer to "FOOTREST BOARDS".
- Crankcase cover (right)
Refer to "PRIMARY AND SECONDARY SHEAVES" in CHAPTER 4.

2.Check:

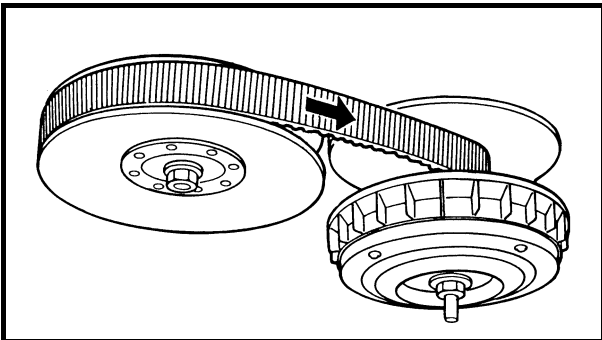
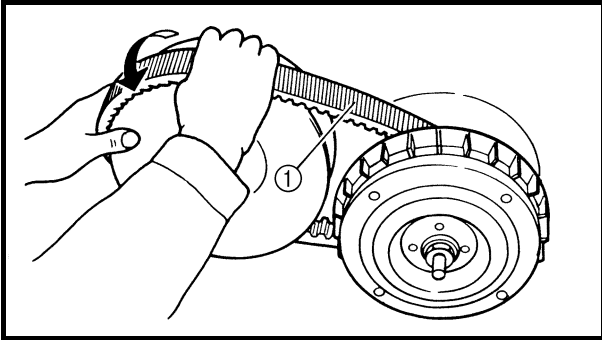
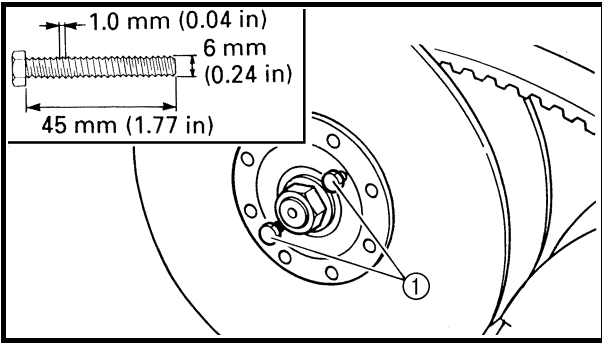
- V-belt ①
Cracks/wear/scaling/chipping → Replace.
Oil/grease → Check primary sheave and secondary sheave.

3.Measure:

- V-belt width ②
Out of specification → Replace.



V-belt width:
30.7 mm (1.21 in)
<Limit:> 27.6 mm (1.09 in)



4. Replace:

- V-belt

Replacing steps:

- Install the bolts ① (90101-06016) into the secondary fixed sheave hold.

NOTE:

Tightening the bolts ① will push the secondary sliding sheave away, causing the gap between the secondary fixed and sliding sheaves to widen.

- Remove the V-belt ① from the primary sheave and secondary sheave.

- Install the V-belt.

NOTE:

Install the V-belt so that its arrow faces the direction shown in the illustration.

- Remove the bolts.

CLEANING THE SPARK ARRESTER

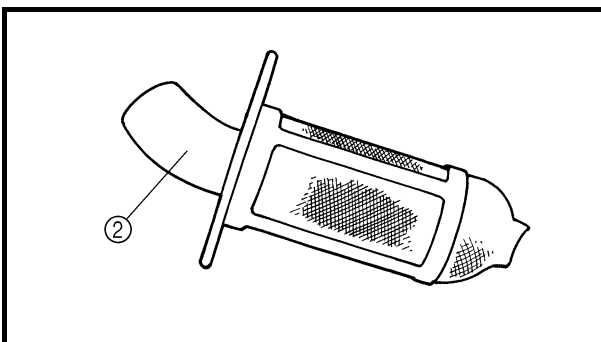
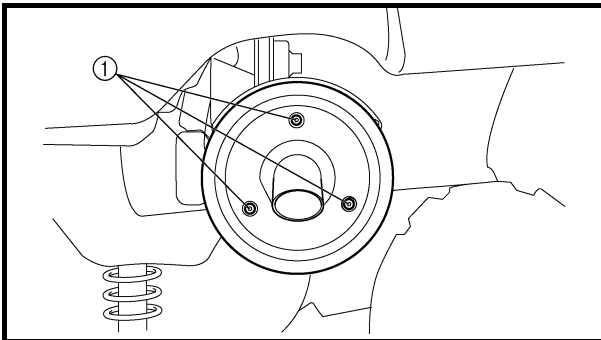
1. Clean:

- Spark arrester

Cleaning steps:

⚠ WARNING

- Select a well-ventilated area free of combustible materials.
- Always let the exhaust system cool before performing this operation.
- Do not start the engine when removing the tailpipe from the muffler.



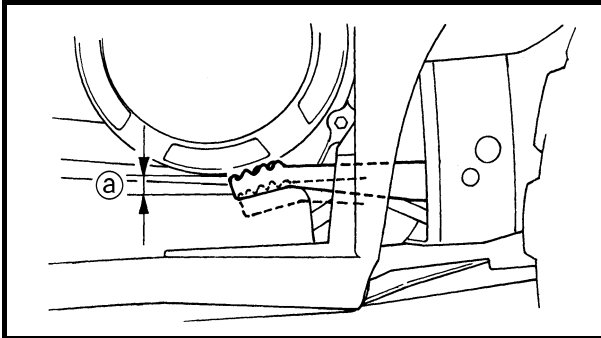
- Remove the bolts ①.
- Remove the tailpipe ② by pulling it out of the muffler.
- Tap the tailpipe lightly with a soft-face hammer or suitable tool, then use a wire brush to remove any carbon deposits from the spark arrester portion of the tailpipe and the inner contact surfaces of the muffler.
- Insert the tailpipe ② into the muffler and align the bolt holes.
- Insert the bolts ① and tighten it.

CHASSIS

ADJUSTING THE REAR BRAKE

⚠ WARNING

Always adjust both the brake pedal and the rear brake lever whenever adjusting the rear brake.

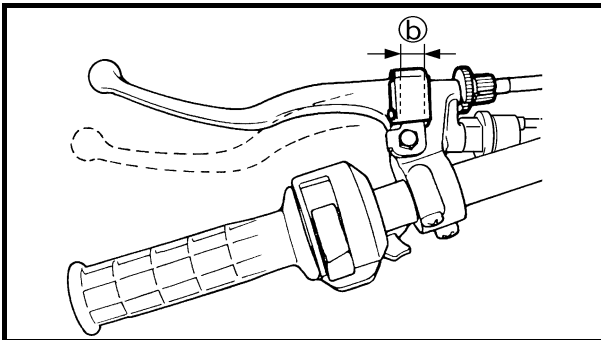


1. Check:

- Rear brake pedal free play ①
 - Rear brake lever free play ②
- Out of specification → Adjust.



Rear brake pedal free play:
20 ~ 30 mm (0.80 ~ 1.18 in)
Rear brake lever free play:
3 ~ 5 mm (0.12 ~ 0.20 in)

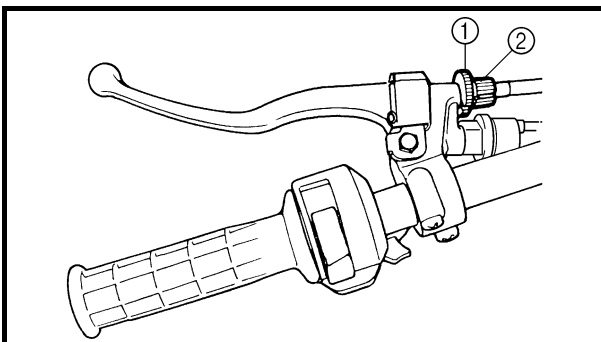


2. Adjust:

- Rear brake lever free play
- Rear brake pedal free play

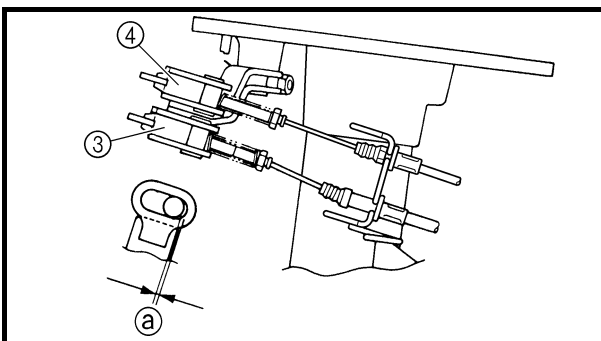
Adjustment steps:

- Loosen the locknut (handlebar) ① and fully screw in the brake lever cable adjuster (handlebar) ②.



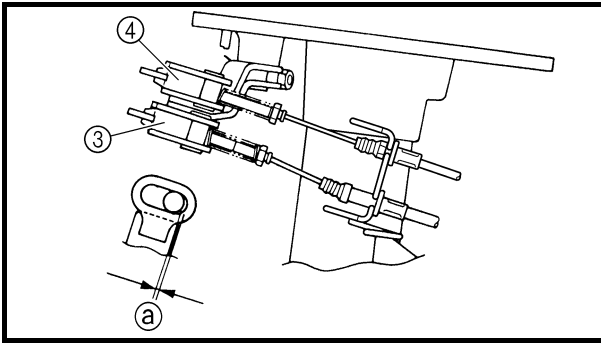
- Fully loosen the brake lever cable adjusting nut (drum) ③.

- Turn the rear brake pedal cable adjusting nut ④ until the brake pedal free play is within the specified limits.




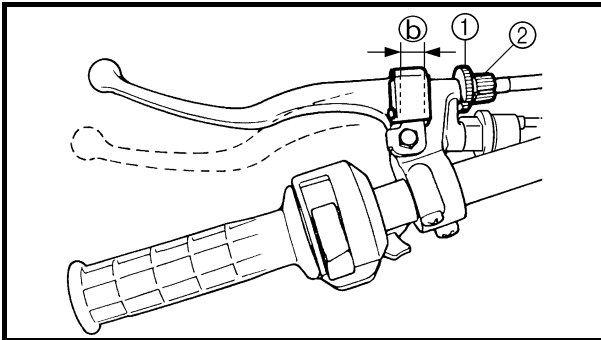
Rear brake pedal free play:
20 ~ 30 mm (0.8 ~ 1.2 in)

ADJUSTING THE REAR BRAKE




- Turn the brake lever cable adjusting nut (drum) ③ clockwise until the gap ① is within the specified limits.


	Gap ①: 0 ~ 1 mm (0.00 ~ 0.04 in)
---	--



- Checking the rear brake pedal free play to see whether or not it is within the specified limits. If not, perform the above steps again.

	Rear brake pedal free play: 20 ~ 30 mm (0.8 ~ 1.2 in)
---	---

- Turn the brake lever cable adjusting nut (handlebar) ② until the rear brake lever free play ① is within the specified limits.

	Rear brake lever free play: 3 ~ 5 mm (0.12 ~ 0.20 in)
--	---

- Tighten the locknut (handlebar) ①.
- Adjust the select lever control cable.
Refer to “ADJUSTING THE SELECT LEVER CONTROL CABLE AND SHIFT ROD”.

⚠ WARNING

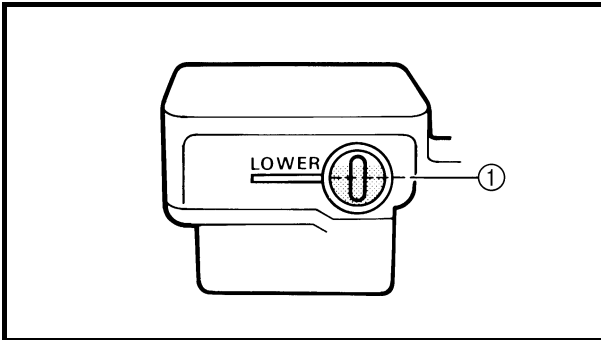
After this adjustment is performed, lift the front and rear wheels off the ground by placing a block under the engine, and spin the rear wheels to ensure there is no brake drag. If any brake drag is noticed perform the above steps again.

CHECKING THE FRONT BRAKE FLUID LEVEL

1. Place the machine on a level surface.

NOTE:

When checking the front brake fluid level, make sure that the top of the master cylinder top is horizontal.



2. Check:

- Brake fluid level
Fluid level is under "LOWER" level line ① →
Fill up.

	Recommended brake fluid: DOT 4
---	--

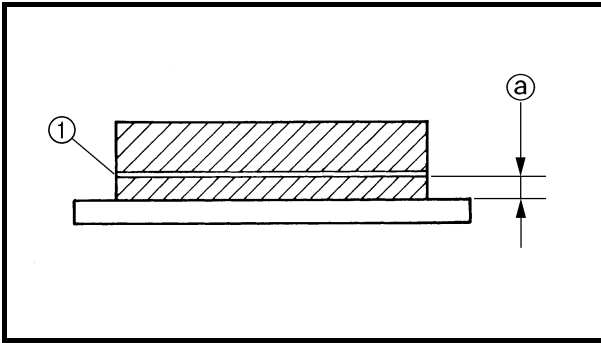
CAUTION:

Brake fluid may erode painted surfaces or plastic parts. Always clean up spilled fluid immediately.

⚠ WARNING

- Use only the designed quality brake fluid: otherwise, the rubber seals may deteriorate, causing leakage and poor brake performance.
- Refill with the same type of brake fluid; mixing fluids may result in a harmful chemical reaction and lead to poor performance.
- Be careful that water does not enter the master cylinder when refilling. Water will significantly lower the boiling point of the fluid and may result in a vapor lock.

CHECKING THE FRONT BRAKE PADS/ CHECKING THE REAR BRAKE SHOES



CHECKING THE FRONT BRAKE PADS

1. Remove:

- Front wheel

2. Check:

- Brake pads

Wear indicator groove ① almost touch the brake disc → Replace the brake pads as a set.

Refer to “FRONT BRAKE” in CHAPTER 8.

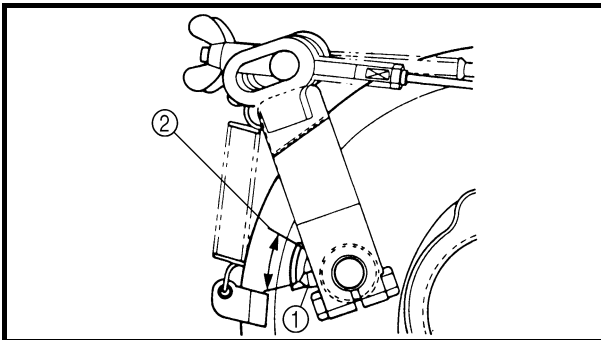


Brake pad wear limit ①:
1 mm (0.04 in)

3. Operate the brake lever.

4. Install:

- Front wheel



CHECKING THE REAR BRAKE SHOES

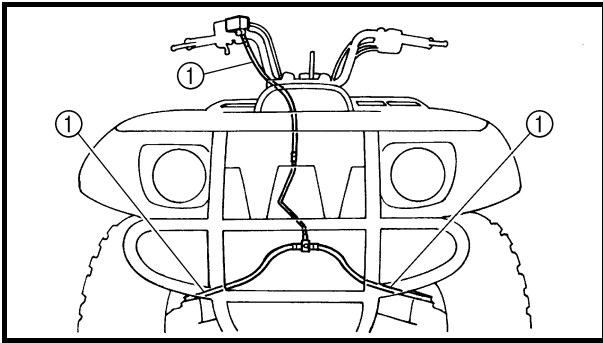
1. Operate the brake lever or brake pedal.

2. Check:

- Wear indicator ①

Reaches the wear limit line ② → Replace the brake shoes as a set.

Refer to “REAR BRAKE” in CHAPTER 8.



CHECKING THE BRAKE HOSES

1. Remove:

- Seat
- Front carrier
- Front fender

Refer to “SEAT, CARRIERS, FENDERS AND FUEL TANK”.

2. Check:

NOTE:

Hold the machine in an upright position and apply the parking brake.

- Front brake hoses ①

Cracks/wear/damage → Replace.

Fluid leakage → Replace any damaged hose.

Refer to “FRONT BRAKE” in CHAPTER 8.

3. Check:

- Brake hose clamps
- Loosen → Tighten.

4. Install:

- Front fender
- Front carrier
- Seat

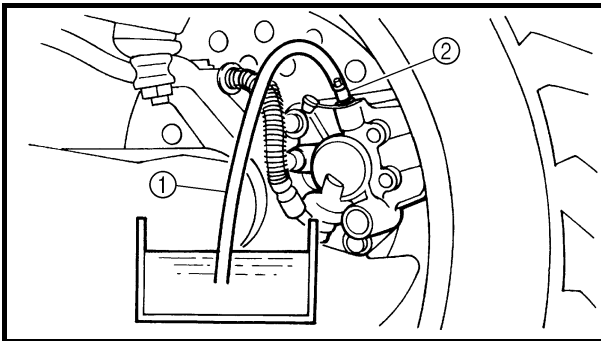
Refer to “SEAT, CARRIERS, FENDERS AND FUEL TANK”.

BLEEDING THE HYDRAULIC BRAKE SYSTEM

⚠ WARNING

Bleed the brake system if:

- The system has been disassembled.
 - A brake hose or brake pipe have been loosened or removed.
 - The brake fluid has been very low.
 - The brake operation has been faulty.
- A loss of braking performance may occur if the brake system is not properly bled.**



1. Bleed:

- Brake system

Air bleeding steps:

- a. Add the proper brake fluid to the reservoir.
- b. Install the diaphragm. Be careful not to spill any fluid or allow the reservoir to overflow.
- c. Connect the clear plastic hose ① tightly to the caliper bleed screw ②.
- d. Place the other end of the hose into a container.
- e. Slowly apply the brake lever several times.
- f. Pull the lever in and hold it.
- g. Loosen the bleed screw and allow the lever to travel towards its limit.
- h. Tighten the bleed screw when the lever limit has been reached, then release the lever.
- i. Repeat steps (e) to (h) until all the air bubbles have disappeared from the fluid.
- j. Tighten the bleed screw.



Bleed screw:
6 Nm (0.6 m • kg, 4.3 ft • lb)

NOTE:

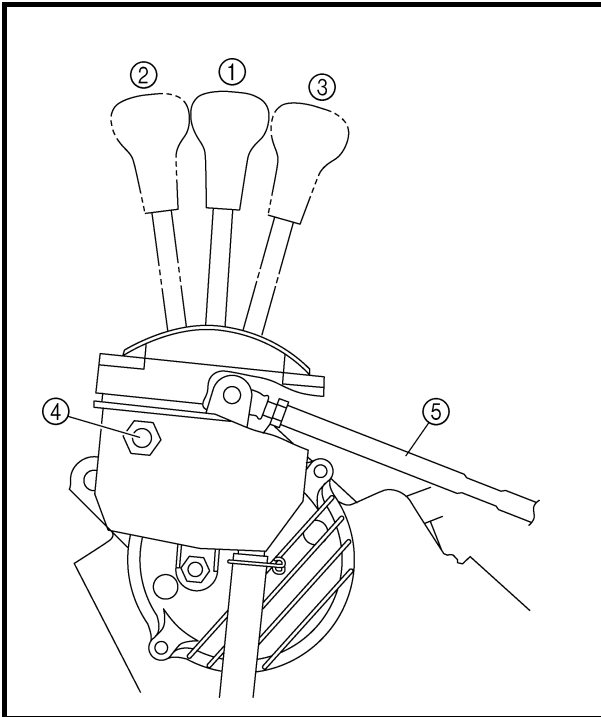
If bleeding is difficult, it may be necessary to let the brake fluid settle for a few hours. Repeat the bleeding procedure when the tiny bubbles in the system have disappeared.

- k. Add brake fluid to the proper level.

Refer to "CHECKING THE FRONT BRAKE FLUID LEVEL".

⚠ WARNING

Check the operation of the brake after bleeding the brake system.



ADJUSTING THE SELECT LEVER CONTROL CABLE AND SHIFT ROD

- ① NEUTRAL
- ② FORWARD
- ③ REVERSE
- ④ Control cable
- ⑤ Select lever shift rod

⚠ WARNING

Before moving the select lever, bring the machine to a complete stop and return the throttle lever to its closed position. Otherwise the transmission may be damaged.

1. Adjust:

- Rear brake pedal free play
Refer to "ADJUSTING THE REAR BRAKE".

2. Adjust:

- Select lever control cable
- Select lever shift rod

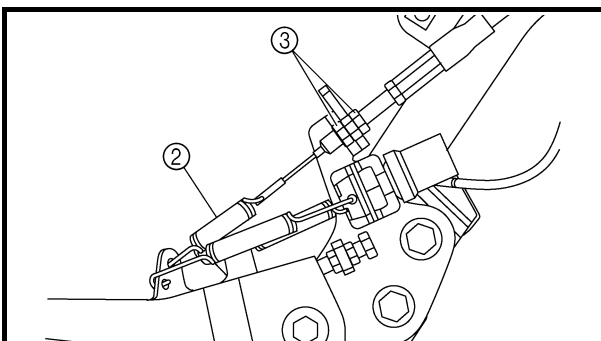
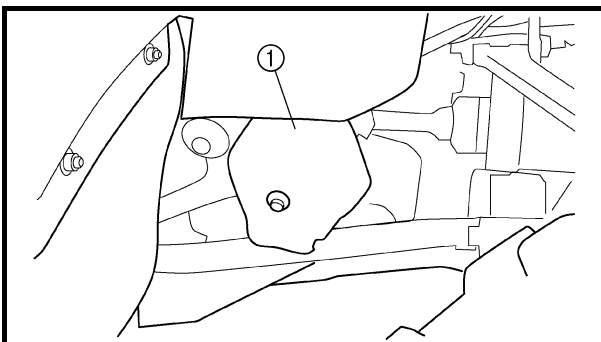
Adjustment steps:

Control cable:

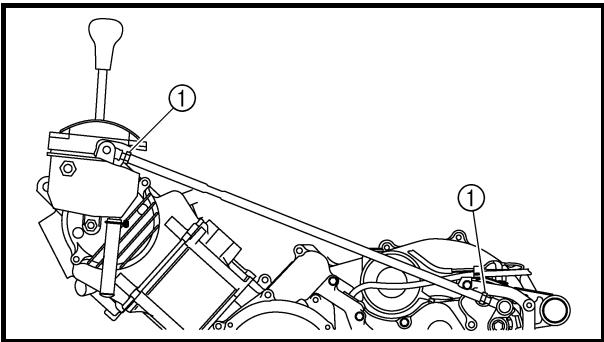
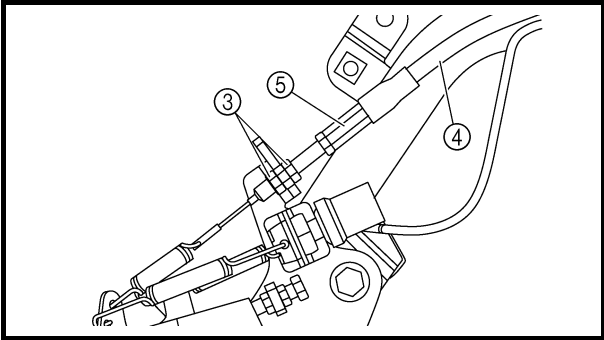
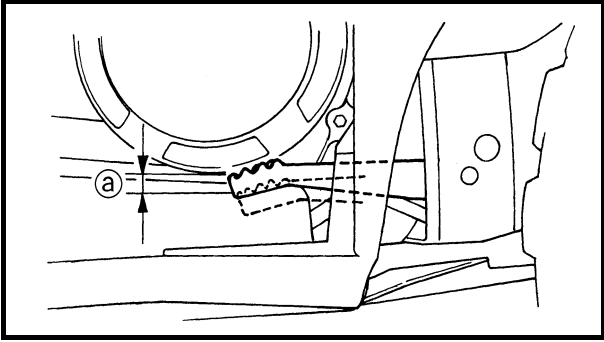
- Remove the rear brake light switch cover ①.
- Make sure the select lever is in NEUTRAL.
- Adjust the control cable so there is zero free play in the cable. When the adjustment is correct, slack in the return spring ② will be taken up.

NOTE:

In some cases it will be necessary to further adjust the cable with the locknuts ③ arrangement that holds the cable to its mount.



**ADJUSTING THE SELECT LEVER CONTROL CABLE AND SHIFT ROD/
ADJUSTING THE REAR BRAKE LIGHT SWITCH**



- When the brake begins to work “(a) = 20 ~ 30 mm (0.8 ~ 1.2 in)”, verify that the select lever can be shifted to REVERSE from NEUTRAL, to NEUTRAL from REVERSE.
- Before the brake begins to work “(a) = 0 ~ 20 mm (0 ~ 0.8 in)”, verify that the select lever cannot be shifted to REVERSE from NEUTRAL, to NEUTRAL from REVERSE.
- Check that locknuts ③ are tightened correctly.
- If the operation of the select lever is incorrect, adjust the select lever control cable ④ with the adjuster ⑤.

Select lever shift rod:

- Make sure the select lever is in NEUTRAL.
- Loosen both locknuts ①.
- Adjust the shift rod length for smooth and correct shifting.
- Tighten the locknuts ①.

ADJUSTING THE REAR BRAKE LIGHT SWITCH

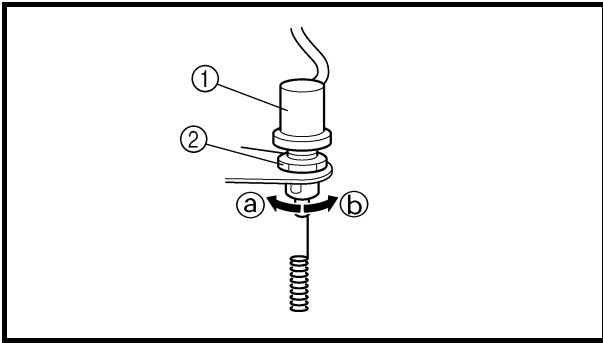
NOTE:

The rear brake light switch is operated by movement of the brake pedal.
The rear brake light switch is properly adjusted when the brake light comes on just before the braking effect starts.

1. Check:

- Rear brake light switch operation timing
Incorrect → Adjust.

ADJUSTING THE REAR BRAKE LIGHT SWITCH/ CHECKING THE FINAL GEAR OIL LEVEL

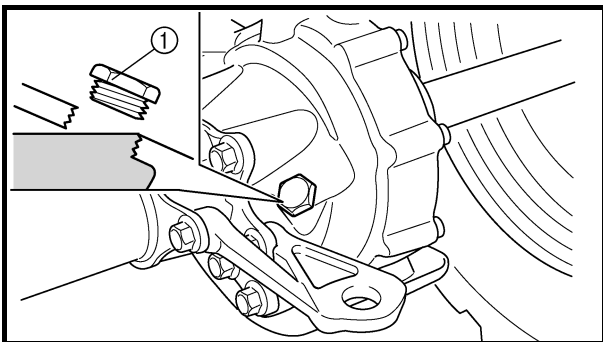


2.Adjust:

- Rear brake light switch operation timing

- Hold the main body ① of the rear brake light switch so that it does not rotate and turn the adjusting nut ② in direction ③ or ④ until the rear brake light comes on at the proper time.

Direction ③	Brake light comes on sooner.
Direction ④	Brake light comes on later.



CHECKING THE FINAL GEAR OIL LEVEL

1.Place the machine on a level place.

2.Remove:

- Oil filler bolt ①

3.Check:

- Oil level

Oil level should be up to the brim of the hole.

Oil level low → Add oil to the proper level.

	Recommended oil: SAE 80 API "GL-4" Hypoid gear oil
--	--

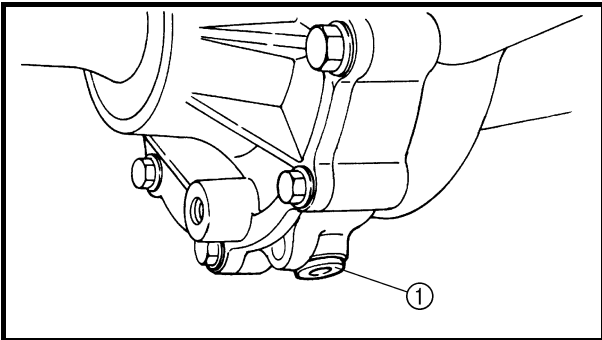
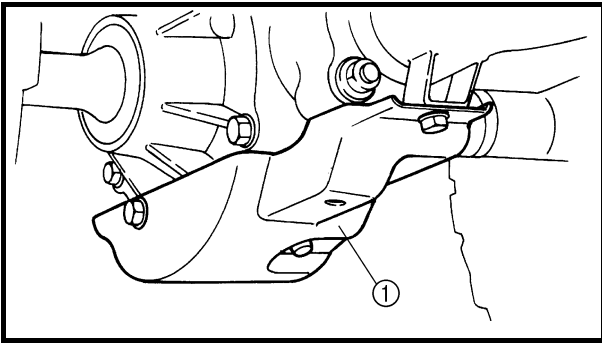
CAUTION:

Take care not allow foreign material to enter the final gear case.

4.Install:

- Oil filler bolt


23 Nm (2.3 m • kg, 17 ft • lb)



CHANGING THE FINAL GEAR OIL

1. Place the machine on a level surface.
2. Remove:
 - Final gear case protector ①
3. Place a receptacle under the final gear case.

4. Remove:
 - Oil filler bolt
 - Drain plug ①
5. Drain:
 - Final gear oil

6. Install:
 - Drain plug  **23 Nm (2.3 m • kg, 17 ft • lb)**



NOTE: _____
 Check the drain plug gasket. If it is damaged, replace it with a new one.

7. Fill:
 - Final gear case

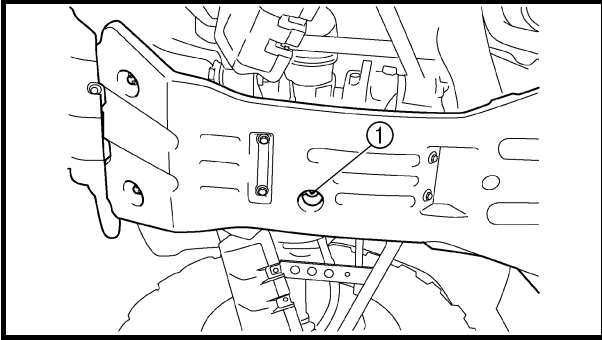


Periodic oil change:
 0.23 L (0.20 Imp qt, 0.24 US qt)
Total amount:
 0.25 L (0.22 Imp qt, 0.26 US qt)
Recommended oil:
 SAE 80 API “GL-4” Hypoid gear oil


CAUTION: _____
 Take care not to allow foreign material to enter the final gear case.

8. Check:
 - Oil level
 Refer to “CHECKING THE FINAL GEAR OIL LEVEL”.
9. Install:
 - Oil filler bolt  **23 Nm (2.3 m • kg, 17 ft • lb)**
 - Final gear case protector  **16 Nm (1.6 m • kg, 11 ft • lb)**

CHANGING THE DIFFERENTIAL GEAR OIL/CHECKING THE CONSTANT VELOCITY JOINT DUST BOOTS



CHANGING THE DIFFERENTIAL GEAR OIL

1. Place the machine on a level surface.
2. Place a receptacle under the differential gear case.
3. Remove:
 - Oil filler bolt
 - Drain plug ①
4. Drain:
 - Differential gear oil
5. Install:
 - Drain plug  10 Nm (1.0 m • kg, 7.2 ft • lb)

NOTE:

Check the drain plug gasket. If it is damaged, replace it with new one.

6. Fill:

- Differential gear case



Periodic oil change:

0.35 L (0.31 Imp qt, 0.37 US qt)

Total amount:

0.40 L (0.35 Imp qt, 0.42 US qt)

Recommended oil:

SAE 80 API "GL-4" Hypoid gear oil


NOTE:

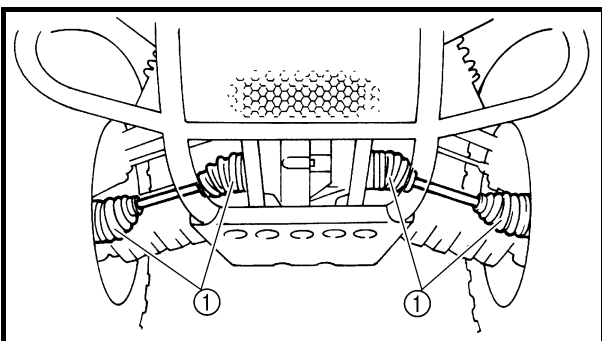
If gear oil is filled to the brim of the oil filler hole, oil may start leaking from the differential gear case breather hose. Therefore, check the quantity of the oil, not its level.

CAUTION:

Take care not to allow foreign material to enter the differential gear case.

7. Install:

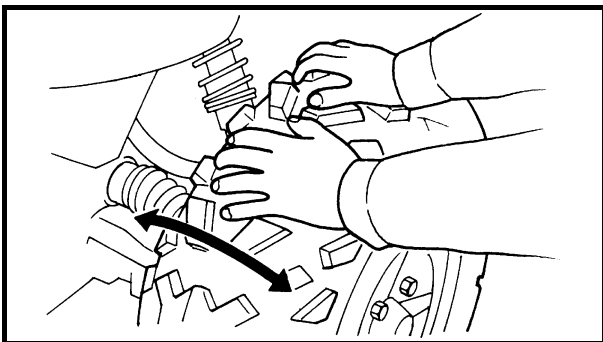
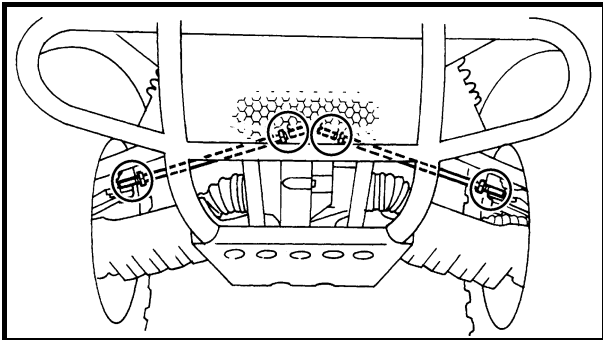
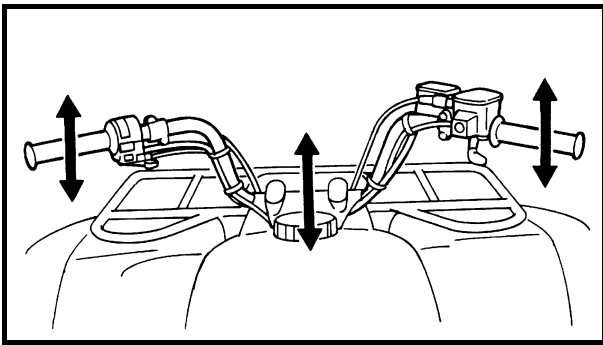
- Oil filler bolt  23 Nm (2.3 m • kg, 17 ft • lb)



CHECKING THE CONSTANT VELOCITY JOINT DUST BOOTS

1. Check:
 - Dust boots ①Damage → Replace.
Refer to "FRONT CONSTANT VELOCITY JOINTS AND DIFFERENTIAL GEAR" in CHAPTER 7.

CHECKING THE STEERING SYSTEM/ ADJUSTING THE TOE-IN



CHECKING THE STEERING SYSTEM

1. Place the machine on a level surface.

2. Check:

- Steering assembly bushings
Move the handlebar up and down, and/or back and forth.
Excessive play → Replace the steering stem bearing.

3. Check:

- Tie-rod ends
Turn the handlebar to the left and/or right until it stops completely, then move the handlebar from the left to the right slightly.
Tie-rod end has any vertical play → Replace the tie-rod end.

4. Raise the front end of the machine so that there is no weight on the front wheels.

5. Check:

- Ball joints and/or wheel bearings
Move the wheels laterally back and forth.
Excessive free play → Replace the front arms (upper and lower) and/or wheel bearings.

ADJUSTING THE TOE-IN

1. Place the machine on a level surface.

2. Measure:

- Toe-in
Out of specification → Adjust.

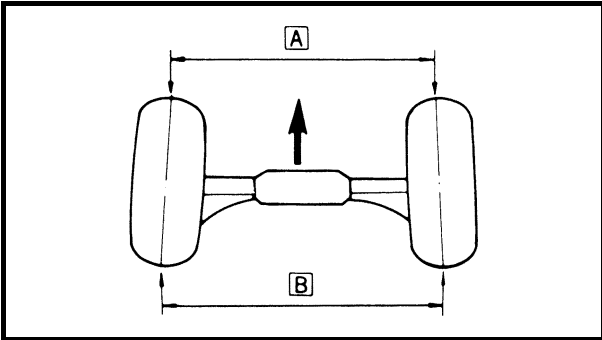
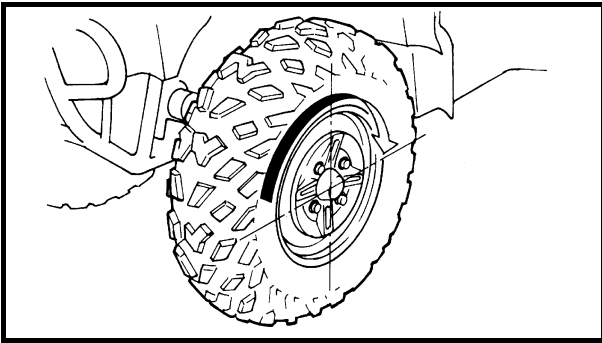
	<p>Toe-in: 0 ~ 10 mm (0 ~ 0.39 in) (with tires touching the ground)</p>
--	--

Measurement steps:

NOTE:

Before measuring the toe-in, make sure that the tire pressure is correct.

- Mark both front tire tread centers.
- Face the handlebar straight ahead.



- Measure the width **A** between the marks.
- Rotate the front tires 180° until the marks are exactly opposite one another.
- Measure the width **B** between the marks.
- Calculate the toe-in using the formula given below.

$$\text{Toe-in} = B - A$$

- If the toe-in is incorrect, adjust it.

3.Adjust:

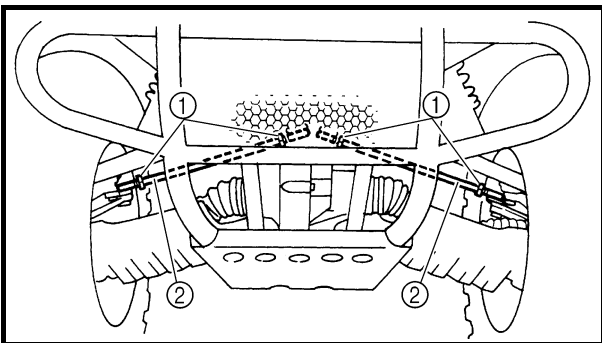
- Toe-in

⚠ WARNING

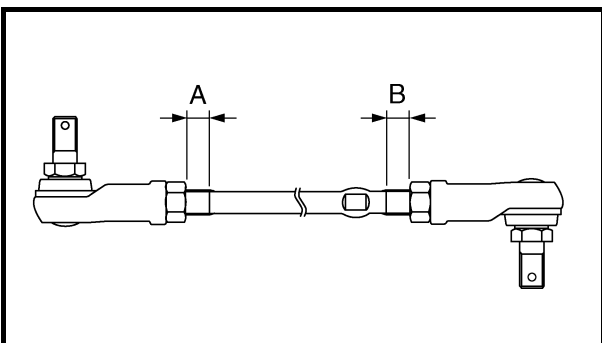
- Be sure that both tie-rods are turned the same amount. If not, the machine will drift right or left even though the handlebar is positioned straight. This may lead to mishandling and an accident.
- After setting the toe-in to specification, run the machine slowly for some distance with both hands lightly holding the handlebar and check that the handlebar responds correctly. If not, turn either the right or left tie-rod within the toe-in specification.

Adjustment steps:

- Mark both tie-rods ends.
This reference point will be needed during adjustment.
- Loosen the locknuts (tie-rod end) ① of both tie-rods.
- The same number of turns should be given to both the right and left tie-rods ② until the specified toe-in is obtained. This is to keep the length of the rods the same.
- Tighten the rod end locknuts of both tie rods.



	Locknut (rod end): 40 Nm (4.0 m • kg, 29 ft • lb)
---	---



NOTE: Adjust the rod ends so that A and B are equal.

ADJUSTING THE FRONT SHOCK ABSORBERS

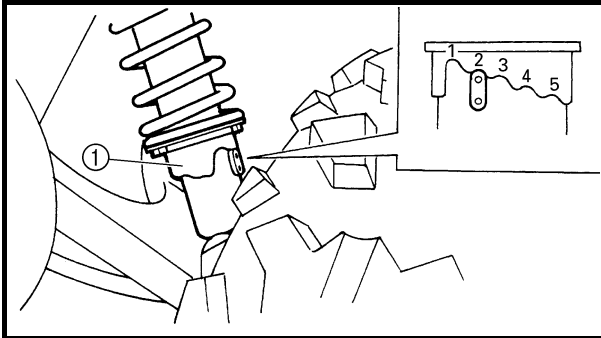
⚠ WARNING

Always adjust both front shock absorber spring preload to the same setting. Uneven adjustment can cause poor handling and loss of stability.

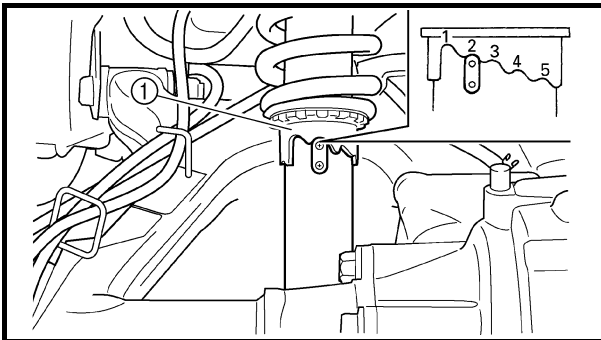
1. Adjust:

- Spring preload

Turn the adjuster ① to increase or decrease the spring preload.



Standard position: 2
Minimum (Soft) position: 1
Maximum (Hard) position: 5



ADJUSTING THE REAR SHOCK ABSORBER

1. Adjust:

- Spring preload

Turn the adjuster ① to increase or decrease the spring preload.

NOTE:

The spring preload of the rear shock absorber can be adjusted to suit the rider's preference, weight, and the riding conditions.

Standard position: 2
Minimum (Soft) position: 1
Maximum (Hard) position: 5

CHECKING THE TIRES

⚠ WARNING

This model is equipped with low pressure tires. It is important that they be inflated correctly and maintained at the proper pressures.



• **TIRE CHARACTERISTICS**

1) Tire characteristics influence the handling of ATVs. The tires listed below have been approved by Yamaha Motor Co., Ltd. for this model. If other tire combinations are used, they can adversely affect your machine's handling characteristics and are therefore not recommended.

	Manufacturer	Size	Type
Front	MAXXIS (For CDN and Europe)	AT25 × 8-12	M911Y
	CHENG SHIN (For Oceania)	AT25 × 8-12	M911Y
Rear	MAXXIS (For CDN and Europe)	AT25 × 10-12	M912Y
	CHENG SHIN (For Oceania)	AT25 × 10-12	M912Y

• **TIRE PRESSURE**

1) Recommended tire pressure

Front 25 kPa (0.25 kg/cm², 3.6 psi)

Rear 25 kPa (0.25 kg/cm², 3.6 psi)

2) Tire pressure below the minimum specification could cause the tire to dislodge from the rim under severe riding conditions.

The following are minimums:

Front 22 kPa (0.22 kg/cm², 3.2 psi)

Rear 22 kPa (0.22 kg/cm², 3.2 psi)

3) Use no more than

Front 250 kPa (2.5 kg/cm², 36 psi)

Rear 250 kPa (2.5 kg/cm², 36 psi)

when seating the tire beads. Higher pressures may cause the tire to burst.

Inflate the tires slowly and carefully.

Fast inflation could cause the tire to burst.

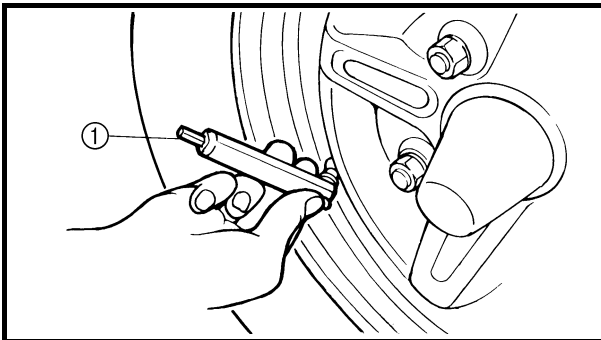
● **MAXIMUM LOADING LIMIT**

- 1) Vehicle load limit (total weight of cargo, rider and accessories, and tongue weight): 210 kg (463 lb)
- 2) Front carrier: 40 kg (88 lb)
- 3) Rear carrier: 80 kg (176 lb)
- 4) Storage box: 2.0 kg (4.4 lb)
- 5) Trailer hitch:

Pulling load (total weight of trailer and cargo): 500 kg (1,102 lb)

Tongue weight (vertical weight on trailer hitch point): 15 kg (33 lb)

Be extra careful of the machine balance and stability when towing a trailer.



1. Measure:

- Tire pressure (cold tire pressure)
Out of specification → Adjust.

NOTE:

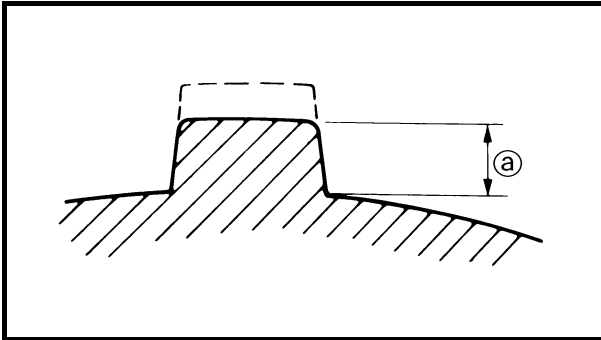
- The low-pressure tire gauge ① is included as standard equipment.
- If dust or the like is stuck to this gauge, it will not provide the correct readings. Therefore, take two measurements of the tire's pressure and use the second reading.

Cold tire pressure	Front	Rear
Standard	25 kPa (0.25 kg/cm ² , 3.6 psi)	25 kPa (0.25 kg/cm ² , 3.6 psi)
Minimum	22 kPa (0.22 kg/cm ² , 3.2 psi)	22 kPa (0.22 kg/cm ² , 3.2 psi)
Maximum	28 kPa (0.28 kg/cm ² , 4.0 psi)	28 kPa (0.28 kg/cm ² , 4.0 psi)

⚠ WARNING

Uneven or improper tire pressure may adversely affect the handling of this machine and may cause loss of control.

- Maintain proper tire pressures.
- Set tire pressures when the tires are cold.
- Tire pressures must be equal in both front tires and equal in both rear tires.



2. Check:

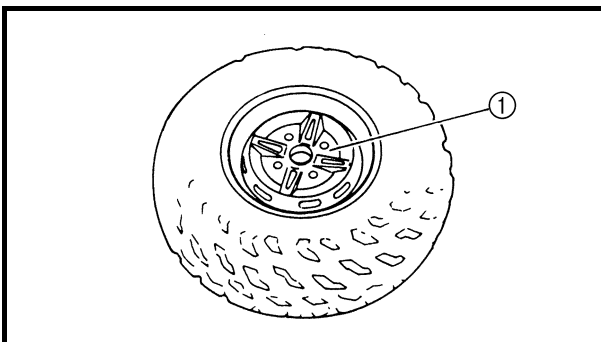
- Tire surfaces
Wear/damage → Replace.



Tire wear limit [ⓐ]:
Front and rear: 3.0 mm (0.12 in)

⚠ WARNING

It is dangerous to ride with a worn-out tire. When tire wear is out of specification, replace the tire immediately.



CHECKING THE WHEELS

1. Check:

- Wheel ①
Damage/bends → Replace.

NOTE:

Always balance the wheel when a tire or wheel has been changed or replaced.

⚠ WARNING

- Never attempt even small repairs to the wheel.
- Ride conservatively after installing a tire to allow it to seat itself properly on the rim.

**CHECKING AND LUBRICATING THE
CABLES**

⚠ WARNING

A damaged cable sheath may cause corrosion and interfere with the cable movement. An unsafe condition may result so replace a damaged cable as soon as possible.

1. Check:

- Cable sheath
Damage → Replace.

2. Check:

- Cable operation
Unsmooth operation → Lubricate or replace.



**Recommended lubricant:
Yamaha chain and cable lube or
Engine oil**

NOTE:

Hold the cable end up and apply several drops of lubricant to the cable.

3. Apply:

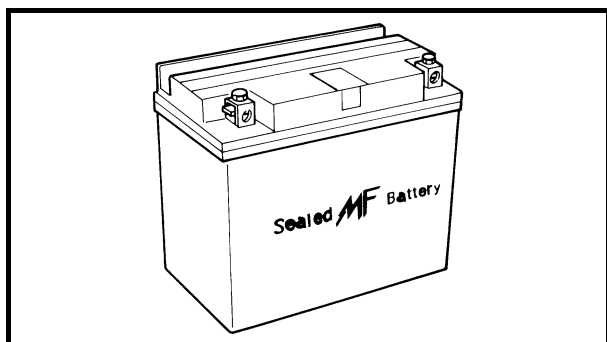
- Lithium-soap-based grease
(onto end of the cable)

LUBRICATING THE LEVERS, PEDAL, ETC.

1. Lubricate the pivoting parts.



**Recommended lubricant:
Lithium soap base grease**



EB305000

ELECTRICAL**CHECKING THE BATTERY****NOTE:**

Since the MF battery is a sealed-type battery, it is not possible to measure the specific gravity of the electrolyte in order to check the charge state of the battery. Therefore, the charge of the battery has to be checked by measuring the voltage at the battery terminals.

CAUTION:**CHARGING METHOD**

- This is a sealed-type battery. Never remove the sealing caps. If the sealing caps have been removed, the balance will not be maintained and battery performance will deteriorate.
- Charging time, charging current and charging voltage for the MF battery are different from those of general type batteries. The MF battery should be charged as explained in “CHARGING METHOD”. If the battery is overcharged, the electrolyte level will drop considerably. Therefore, take special care when charging the battery.

⚠ WARNING

Battery electrolyte is dangerous; it contains sulfuric acid which is poisonous and highly caustic.

Always follow these preventive measures:

- Avoid bodily contact with electrolyte as it can cause severe burns or permanent eye injury.
- Wear protective eye gear when handling or working near batteries.

Antidote (EXTERNAL):

- SKIN - Wash with water.
- EYES - Flush with water for 15 minutes and get immediate medical attention.

Antidote (INTERNAL):

- Drink large quantities of water or milk followed with milk of magnesia, beaten egg or vegetable oil. Get immediate medical attention.

Batteries generate explosive hydrogen gas. Always follow these preventive measures:

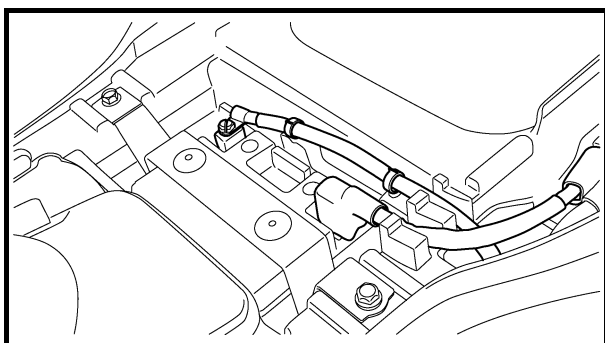
- Charge batteries in a well-ventilated area.
- Keep batteries away from fire, sparks or open flames (e.g., welding equipment, lighted cigarettes, etc.)
- **DO NOT SMOKE** when charging or handling batteries.

KEEP BATTERIES AND ELECTROLYTE OUT OF REACH OF CHILDREN.

1. Remove:

- Seat
- Battery holding bracket
- Battery lead cover

Refer to “SEAT, CARRIERS, FENDERS AND FUEL TANK”.



2. Disconnect:

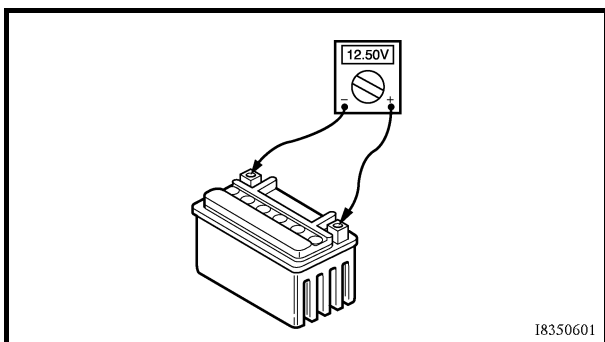
- Battery leads

CAUTION:

First disconnect the negative lead, then disconnect the positive lead.

3. Remove:

- Battery



4. Check:

- Battery condition

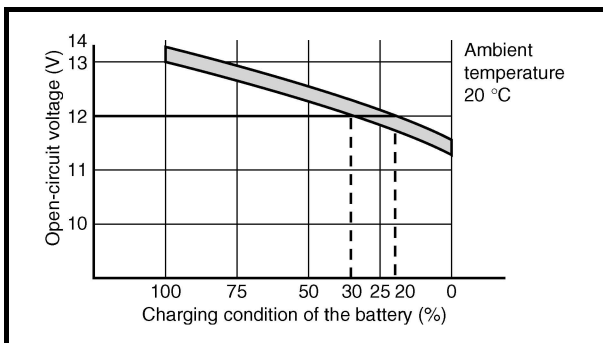
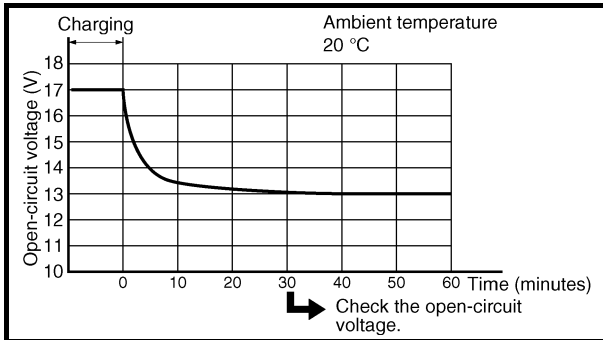
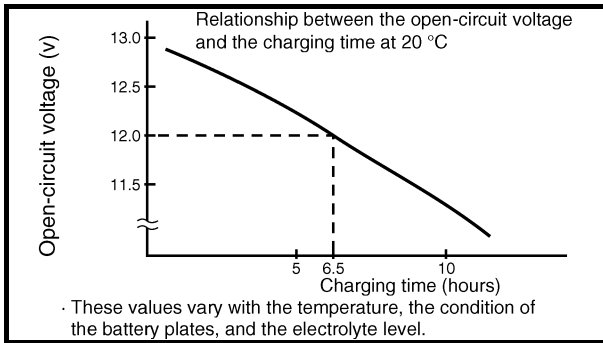
Battery condition checking steps:

- Connect a digital voltmeter to the battery terminals.

Tester (+) lead → battery (+) terminal
Tester (-) lead → battery (-) terminal

NOTE:

The charge state of an MF battery can be checked by measuring the open-circuit voltage (i.e. the voltage when the positive terminal is disconnected).



Open-circuit voltage	Charging time
12.8 V or higher	No charging is necessary.

● Check the condition of the battery using the following charts.

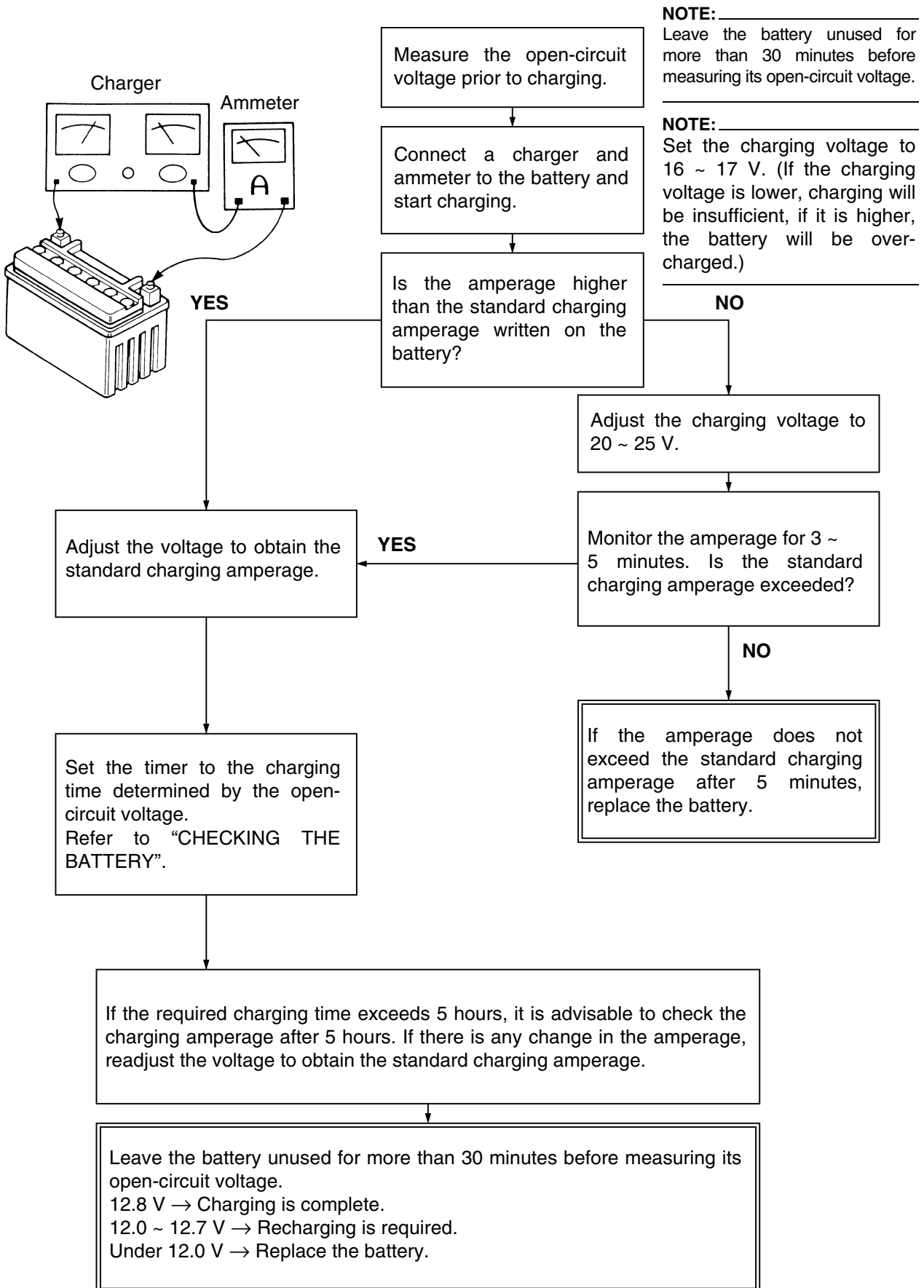
Example:

- Open-circuit voltage = 12.0 V
- Charging time = 6.5 hours
- Charge condition of the battery = 20 ~ 30%
- Charging method for MF batteries

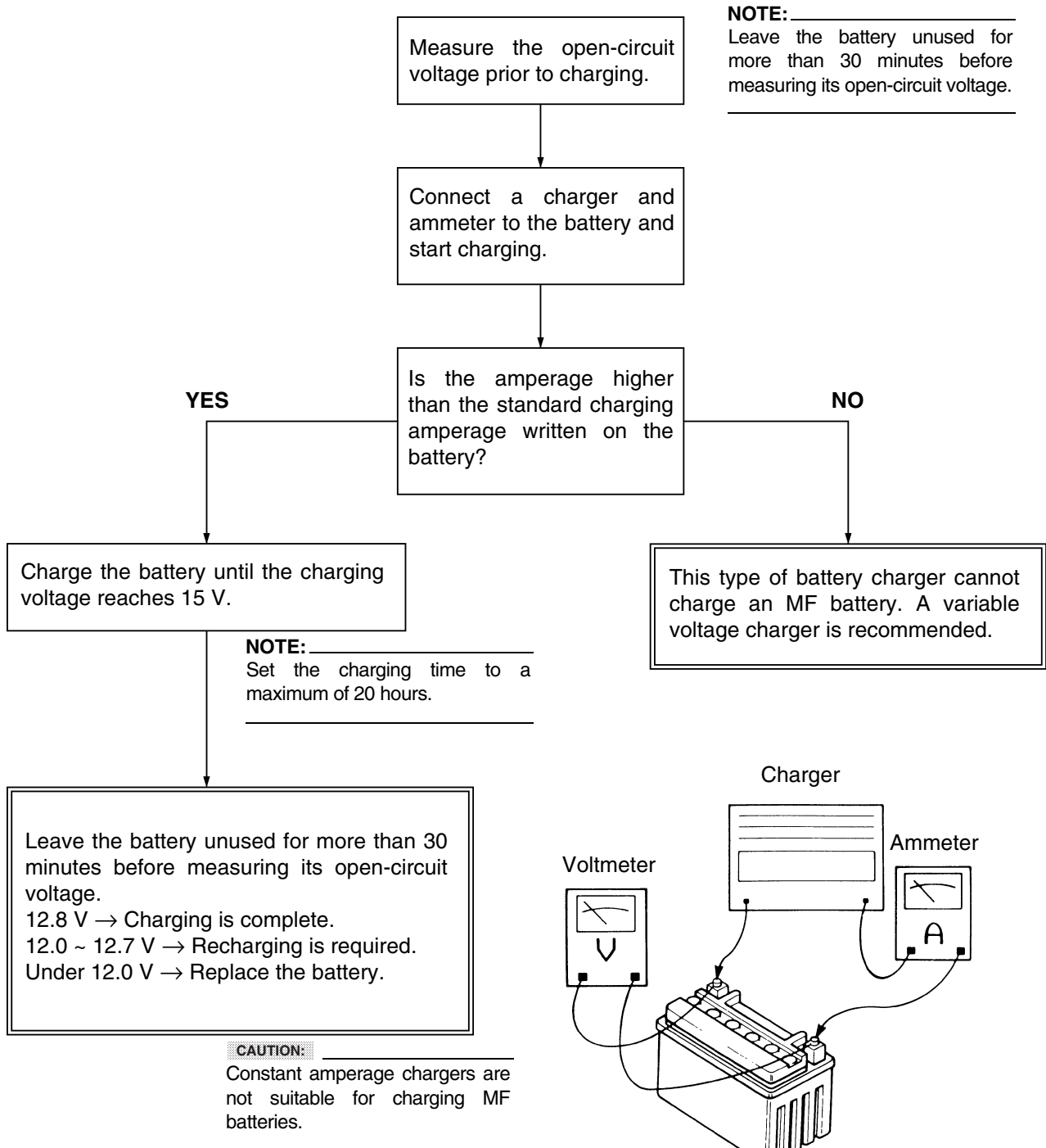
CAUTION:

- If it is impossible to set the standard charging current, be careful not to overcharge.
- When charging the battery, be sure to remove it from the motorcycle. (If charging has to be done with the battery mounted on the motorcycle, be sure to disconnect the wire at the negative terminal.)
- Never remove the sealing caps of an MF battery.
- Make sure that the charging clips are in full contact with the terminal and that they are not shorted together. (A corroded clip on the charger may cause the battery to generate heat in the contact area. A weak clip spring may cause sparks.)
- Before removing the clips from the battery terminals, be sure to turn off the charger's power switch.
- The open-circuit voltage variation for the MF battery, after charging, is shown below. As shown in the figure, the open-circuit voltage stabilizes about 30 minutes after charging has been completed. Therefore, wait 30 minutes after charging is completed before measuring the open-circuit voltage.

Charging method using a variable voltage charger



Charging method using a constant voltage charger

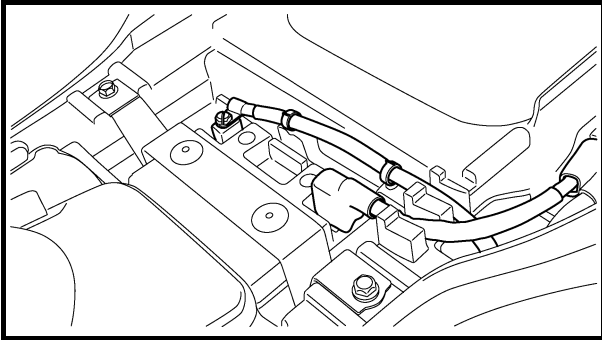


CHECKING THE BATTERY/ CHECKING THE FUSES



5. Check:
- Battery terminals
Dirty → Clean with a wire brush.

NOTE: _____
After cleaning the terminals, apply a light coat of grease.



6. Install:
- Battery
7. Connect:
- Battery leads

CAUTION: _____
First, connect the positive lead, then connect the negative lead.

8. Install:
- Battery lead cover
 - Battery holding bracket
 - Seat
Refer to "SEAT, CARRIERS, FENDERS AND FUEL TANK".

CHECKING THE FUSES

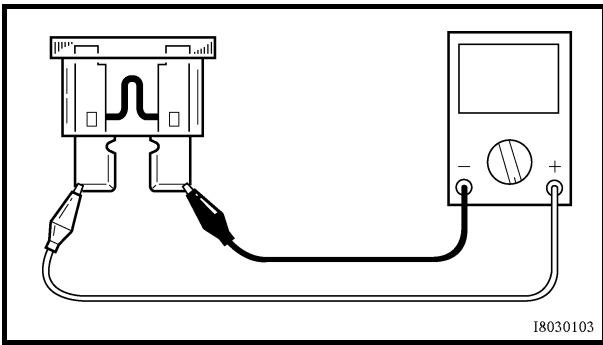
CAUTION: _____
Always turn off the main switch when checking or replacing a fuse. Otherwise, a short circuit may occur.

1. Remove:
- Seat
Refer to "SEAT, CARRIERS, FENDERS AND FUEL TANK".
2. Check:
- Fuses

Checking steps:

- Connect the pocket tester to the fuse and check it for continuity.

CHECKING THE FUSES



NOTE: _____
Set the tester to the “Ω × 1” position.



Pocket tester:
P/N. YU-03112-C, 90890-03112

- If the tester indicates ∞, replace the fuse.

3. Replace:

- Blown fuse(s)

Replacement steps:

- Turn off the ignition.
- Install a new fuse of the proper amperage.
- Turn on switches to verify operation of the related electrical devices.
- If the fuse immediately blows again, check the electrical circuit.

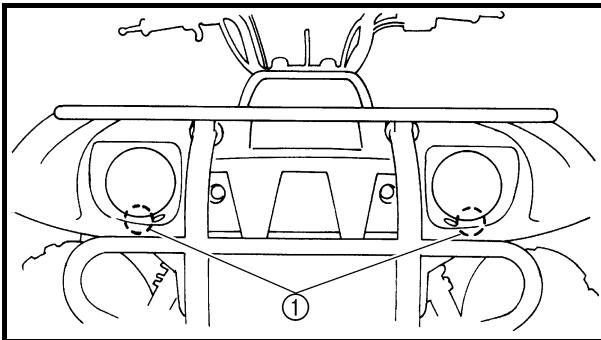
Description	Current rating	Quantity
Main	30 A	1
Headlight	15 A	1
Ignition	10 A	1
Terminal (Auxiliary DC jack)	10 A	1
4WD (Four-wheel drive)	3 A	1
Signaling system fuse	10 A	1
Reserve	30 A	1
Reserve	15 A	1
Reserve	10 A	1
Reserve	3 A	1

⚠ WARNING

Never use a fuse with a rating other than that specified. Never use other materials in place of a fuse. An improper fuse may cause extensive damage to the electrical system, a malfunction of the lighting and ignition systems and could possibly cause a fire.

4. Install:

- Seat
Refer to "SEAT, CARRIERS, FENDERS AND FUEL TANK".

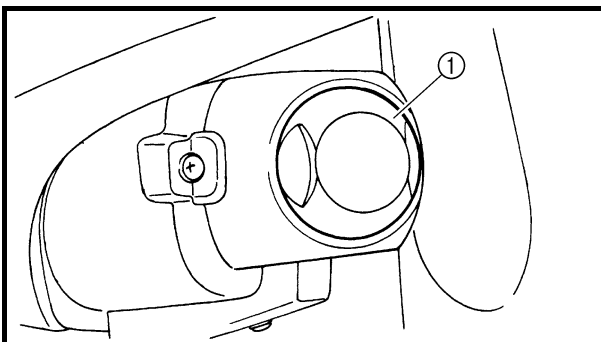


ADJUSTING THE HEADLIGHT BEAMS

1. Adjust:

- Headlight beam (vertically)
Turn the adjuster ① in or out.

Turning in	Headlight beam raised.
Turning out	Headlight beam lowered.

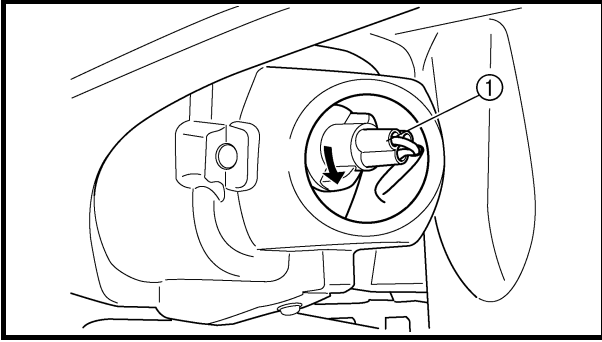


CHANGING THE HEADLIGHT BULB

1. Remove:

- Cover ①

CHANGING THE HEADLIGHT BULB



2.Remove:

- Bulb holder ①
- Bulb

NOTE: _____

Turn the bulb holder counterclockwise and remove the defective bulb.

⚠ WARNING _____

Keep flammable products and your hands away from the bulb while it is on, since it will be hot. Do not touch the bulb until it cools down.

3.Install:

- Bulb **New**

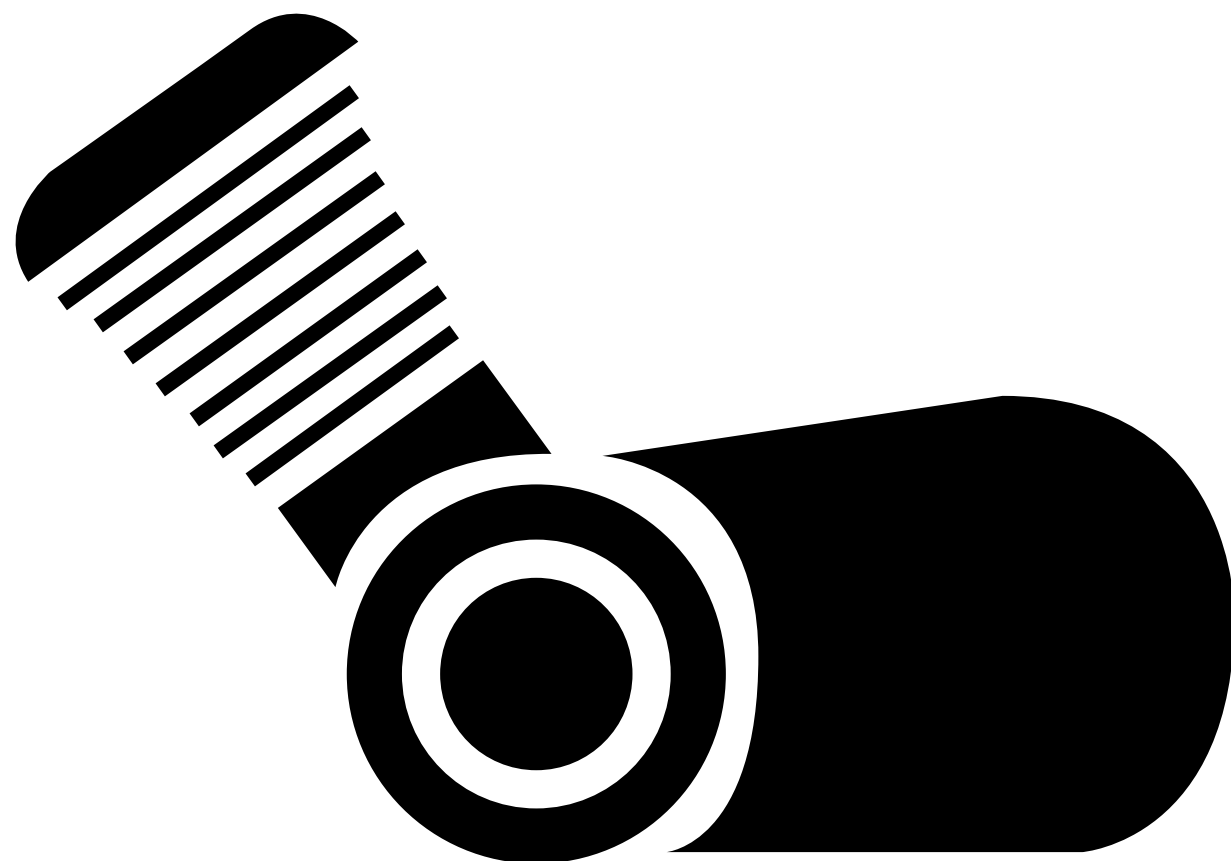
Secure the new bulb with the headlight unit.

CAUTION: _____

Avoid touching the glass part of the bulb. Keep it free from oil; otherwise, the transparency of the glass, life of the bulb, and luminous flux will be adversely affected. If oil gets on the bulb, thoroughly clean it with a cloth moistened with alcohol or lacquer thinner.

4.Install:

- Bulb holder
- Cover



ENG

4



CHAPTER 4. ENGINE

ENGINE REMOVAL	4-1
AIR DUCTS, MUFFLER AND EXHAUST PIPE	4-1
SELECT LEVER UNIT AND COOLANT RESERVOIR	4-3
HOSES AND LEADS	4-4
ENGINE MOUNTING BOLTS	4-5
INSTALLING THE ENGINE	4-7
CYLINDER HEAD	4-8
REMOVING THE CYLINDER HEAD	4-10
CHECKING THE TAPPET COVERS	4-11
CHECKING THE TIMING CHAIN TENSIONER	4-11
CHECKING THE CAMSHAFT SPROCKET	4-11
CHECKING THE CYLINDER HEAD	4-12
INSTALLING THE CYLINDER HEAD	4-13
CAMSHAFT, ROCKER ARMS AND VALVES	4-16
REMOVING THE CAMSHAFT AND ROCKER ARMS	4-18
REMOVING THE VALVES AND VALVE SPRINGS	4-18
CHECKING THE CAMSHAFT	4-19
CHECKING THE ROCKER ARMS AND CAMSHAFT	4-19
CHECKING THE VALVES AND VALVE SPRINGS	4-21
INSTALLING THE VALVES AND VALVE SPRINGS	4-25
INSTALLING THE CAMSHAFT AND ROCKER ARMS	4-26
CYLINDER AND PISTON	4-27
REMOVING THE PISTON	4-28
CHECKING THE TIMING CHAIN GUIDE	4-28
CHECKING THE CYLINDER AND PISTON	4-28
CHECKING THE PISTON RINGS	4-30
CHECKING THE PISTON PIN	4-31
INSTALLING THE PISTON	4-32
INSTALLING THE CYLINDER	4-33
RECOIL STARTER AND A.C. MAGNETO	4-34
REMOVING THE A.C. MAGNETO	4-37
DISASSEMBLING THE RECOIL STARTER	4-37
CHECKING THE A.C. MAGNETO	4-37
CHECKING THE STARTER CLUTCH	4-38
CHECKING THE STARTER PULLEY	4-39
CHECKING THE RECOIL STARTER	4-39
ASSEMBLING THE RECOIL STARTER	4-39
INSTALLING THE A.C. MAGNETO	4-40



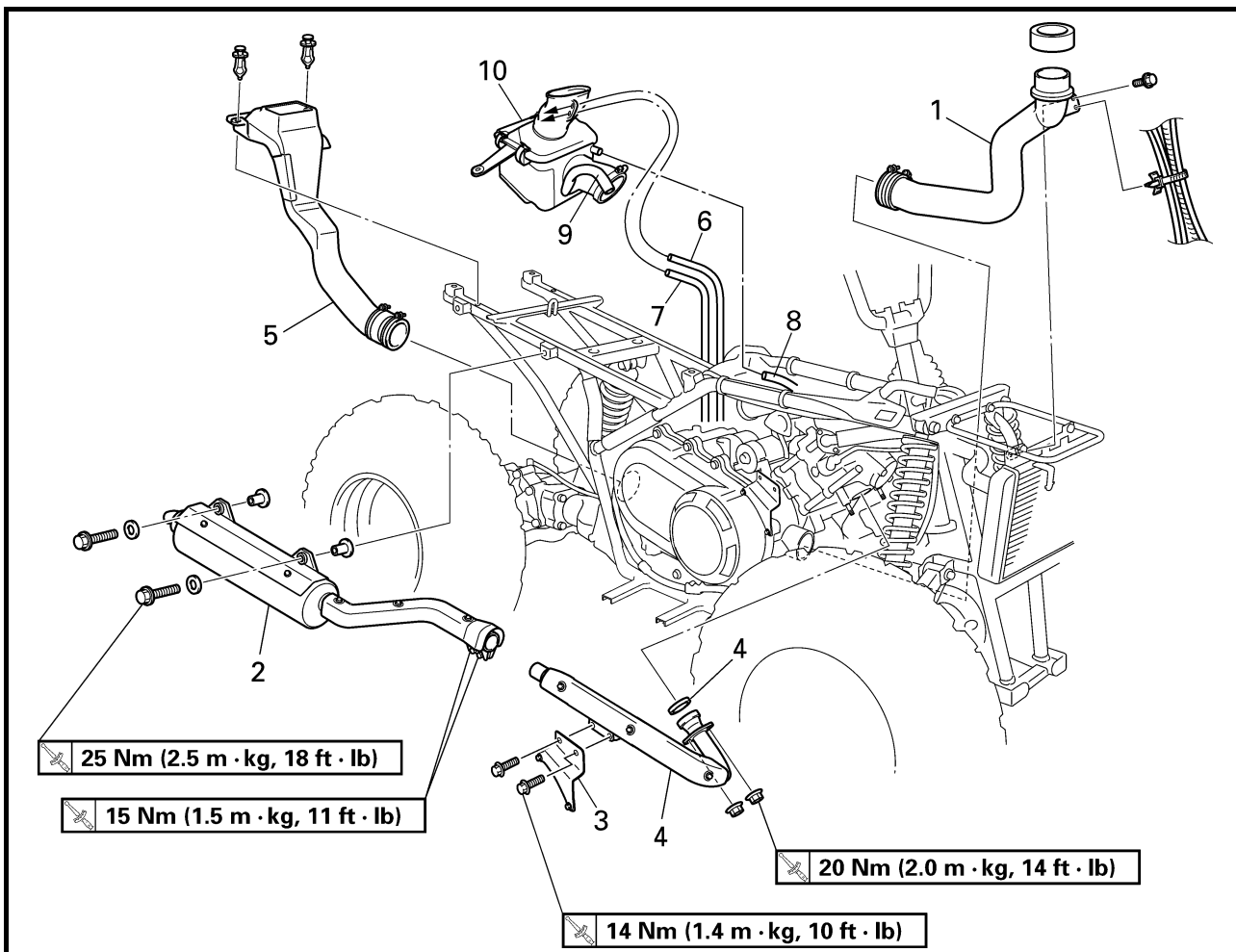
PRIMARY AND SECONDARY SHEAVES	4-42
PRIMARY SLIDING SHEAVE	4-44
SECONDARY SHEAVE	4-45
REMOVING THE PRIMARY AND SECONDARY SHEAVES	4-46
DISASSEMBLING THE SECONDARY SHEAVE	4-46
CHECKING THE PRIMARY SHEAVE	4-47
CHECKING THE SECONDARY SHEAVE	4-47
ASSEMBLING THE PRIMARY SHEAVE	4-48
ASSEMBLING THE SECONDARY SHEAVE	4-48
INSTALLING THE PRIMARY AND SECONDARY SHEAVES	4-50
CLUTCH	4-51
REMOVING THE CLUTCH	4-53
CHECKING THE CLUTCH	4-53
INSTALLING THE CLUTCH	4-54
CRANKCASE	4-56
STARTER MOTOR, TIMING CHAIN AND OIL FILTER	4-56
CRANKCASE	4-58
CRANKCASE BEARINGS	4-59
REMOVING THE OIL PUMP DRIVE GEAR	4-60
SEPARATING THE CRANKCASE	4-60
CHECKING THE TIMING CHAIN AND GUIDE	4-61
CHECKING THE OIL STRAINER AND OIL DELIVERY PIPE	4-61
CHECKING THE CRANKCASE	4-62
CHECKING THE BEARINGS	4-62
ASSEMBLING THE CRANKCASE	4-62
INSTALLING THE SHIFT LEVER	4-63
INSTALLING THE OIL PUMP DRIVE GEAR	4-64
CRANKSHAFT AND OIL PUMP	4-65
OIL PUMP	4-66
REMOVING THE CRANKSHAFT	4-67
CHECKING THE OIL PUMP	4-67
CHECKING THE CRANKSHAFT	4-68
INSTALLING THE CRANKSHAFT AND BALANCER	4-69
TRANSMISSION	4-70
CHECKING THE SHIFT FORKS	4-72
CHECKING THE SHIFT CAM	4-72
CHECKING THE TRANSMISSION	4-72
CHECKING THE SECONDARY SHAFT AND DRIVEN SPROCKET	4-73
CHECKING THE CHAIN	4-73
INSTALLING THE TRANSMISSION	4-74

MIDDLE GEAR	4-75
MIDDLE DRIVE SHAFT	4-75
MIDDLE DRIVEN SHAFT	4-76
REMOVING THE MIDDLE DRIVE SHAFT	4-78
REMOVING THE MIDDLE DRIVEN SHAFT	4-78
CHECKING THE PINION GEARS	4-80
SELECTING THE MIDDLE DRIVE AND DRIVEN GEAR SHIMS	4-81
INSTALLING THE MIDDLE DRIVEN SHAFT	4-84
INSTALLING THE MIDDLE DRIVE SHAFT	4-86
MEASURING THE MIDDLE GEAR BACKLASH	4-86

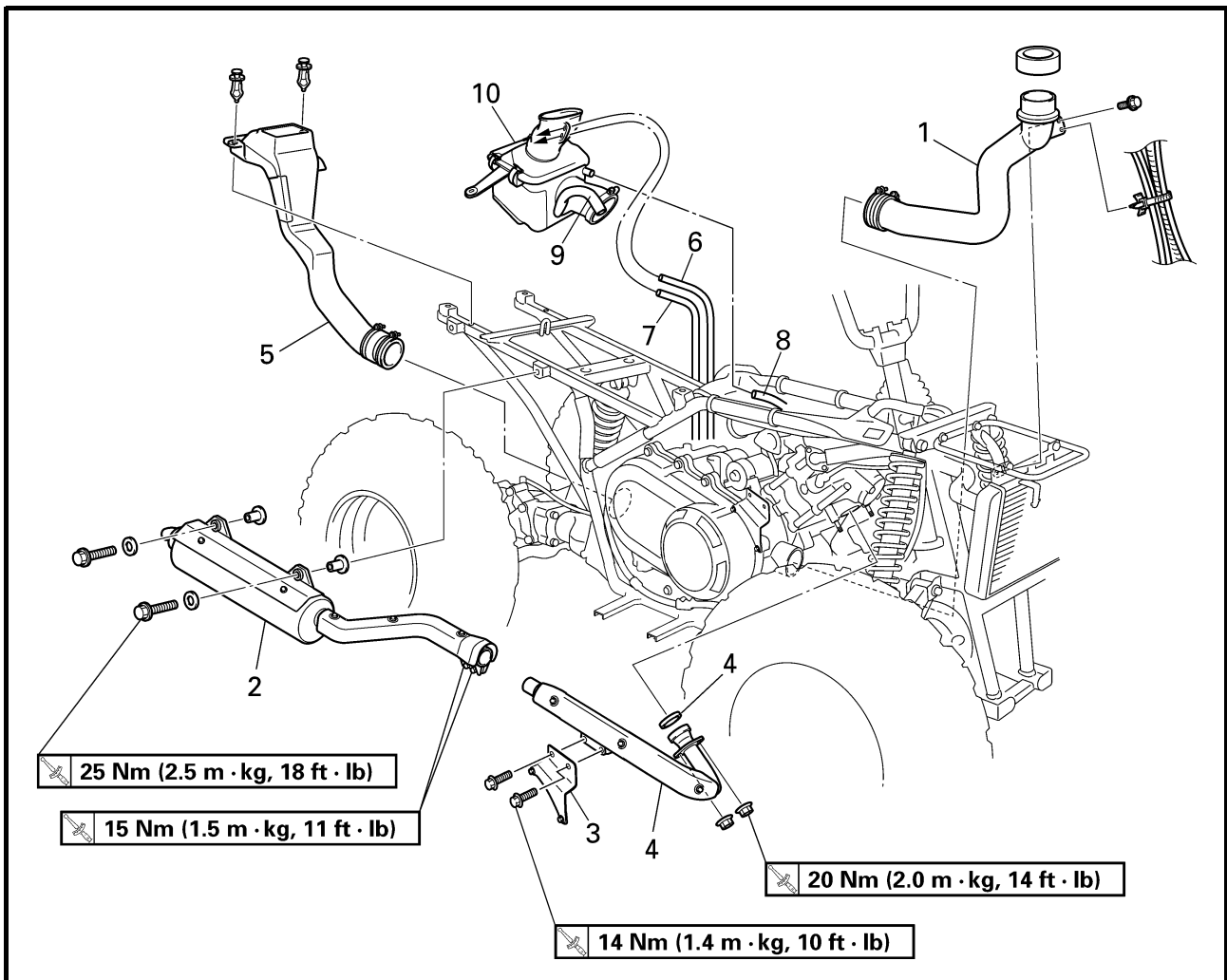
ENGINE

ENGINE REMOVAL

AIR DUCTS, MUFFLER AND EXHAUST PIPE



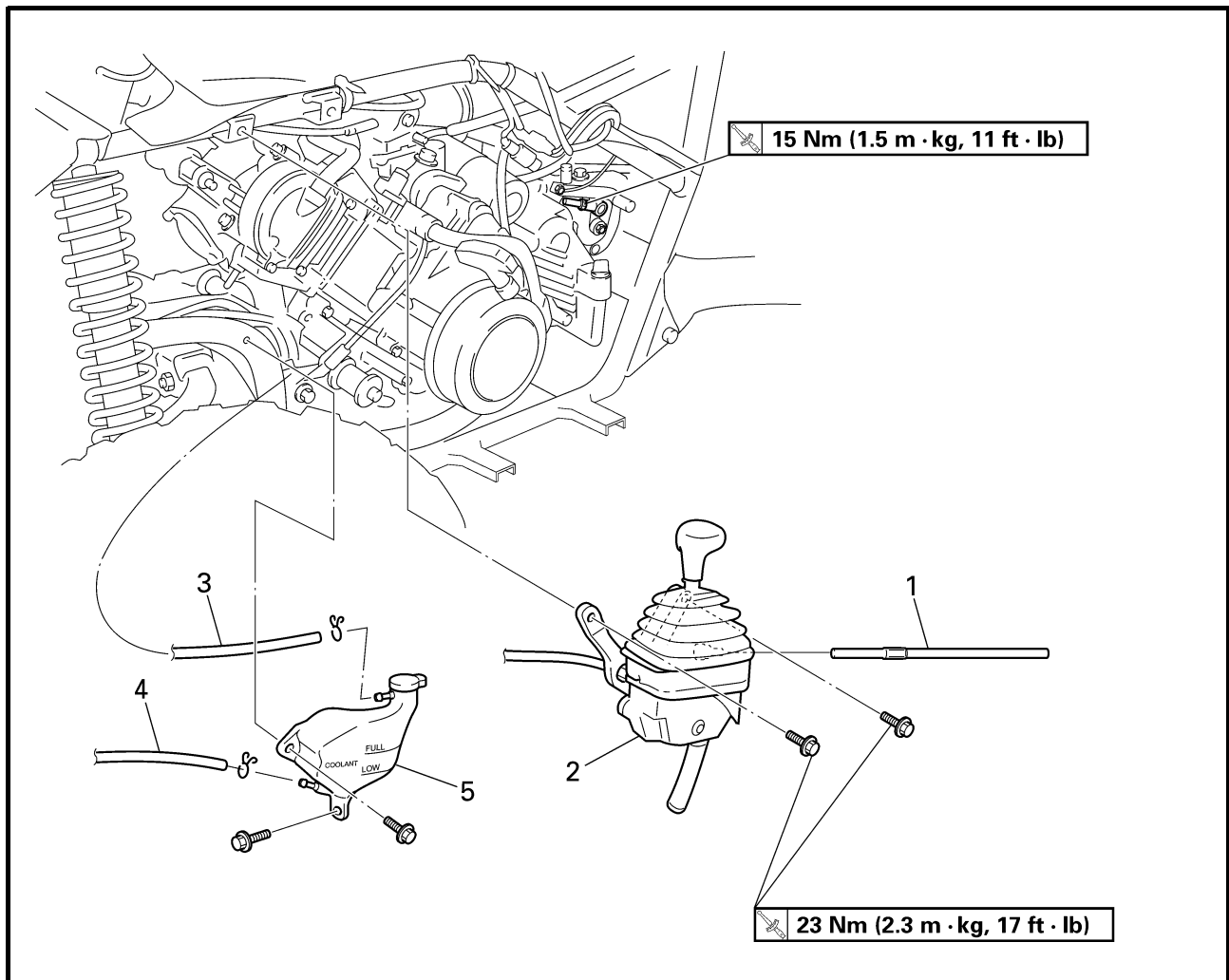
Order	Job name/Part name	Q'ty	Remarks
	Removing the air ducts, muffler and exhaust pipe		Remove the parts in the order below.
	Engine oil		Drain. Refer to "CHANGING THE ENGINE OIL" in CHAPTER 3.
	Front and rear fender/footrest boards		Refer to "SEAT, CARRIERS, FENDERS AND FUEL TANK" in CHAPTER 3.
	Fuel tank/rubber cover		
	Coolant		Drain. Refer to "CHANGING THE COOLANT" in CHAPTER 3.
	Carburetor assembly		Refer to "CARBURETOR" in CHAPTER 6.
1	Air duct assembly 1	1	
2	Muffler	1	
3	Exhaust pipe bracket	1	
4	Exhaust pipe/gasket	1/1	
5	Air duct assembly 2	1	



Order	Job name/Part name	Q'ty	Remarks
6	Final drive gear case breather hose	1	For installation, reverse the removal procedure.
7	Rear brake breather hose	1	
8	Cylinder head breather hose	1	
9	Vacuum chamber breather hose	1	
10	Air filter case	1	



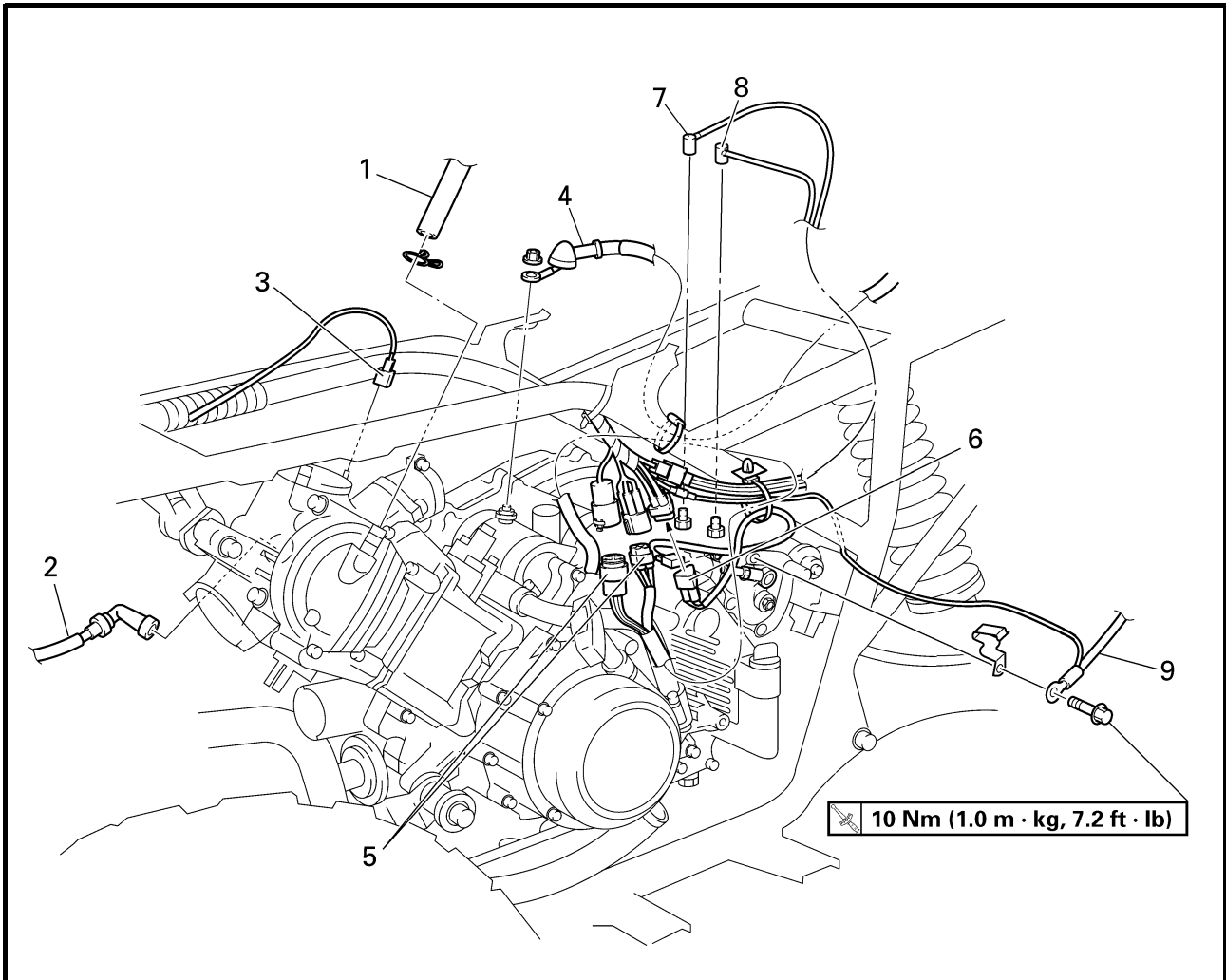
SELECT LEVER UNIT AND COOLANT RESERVOIR



Order	Job name/Part name	Q'ty	Remarks
	Removing the select lever unit and coolant reservoir		Remove the parts in the order below.
1	Select lever shift rod	1	
2	Select lever unit	1	
3	Coolant reservoir breather hose	1	
4	Coolant reservoir hose	1	
5	Coolant reservoir	1	
			For installation, reverse the removal procedure.



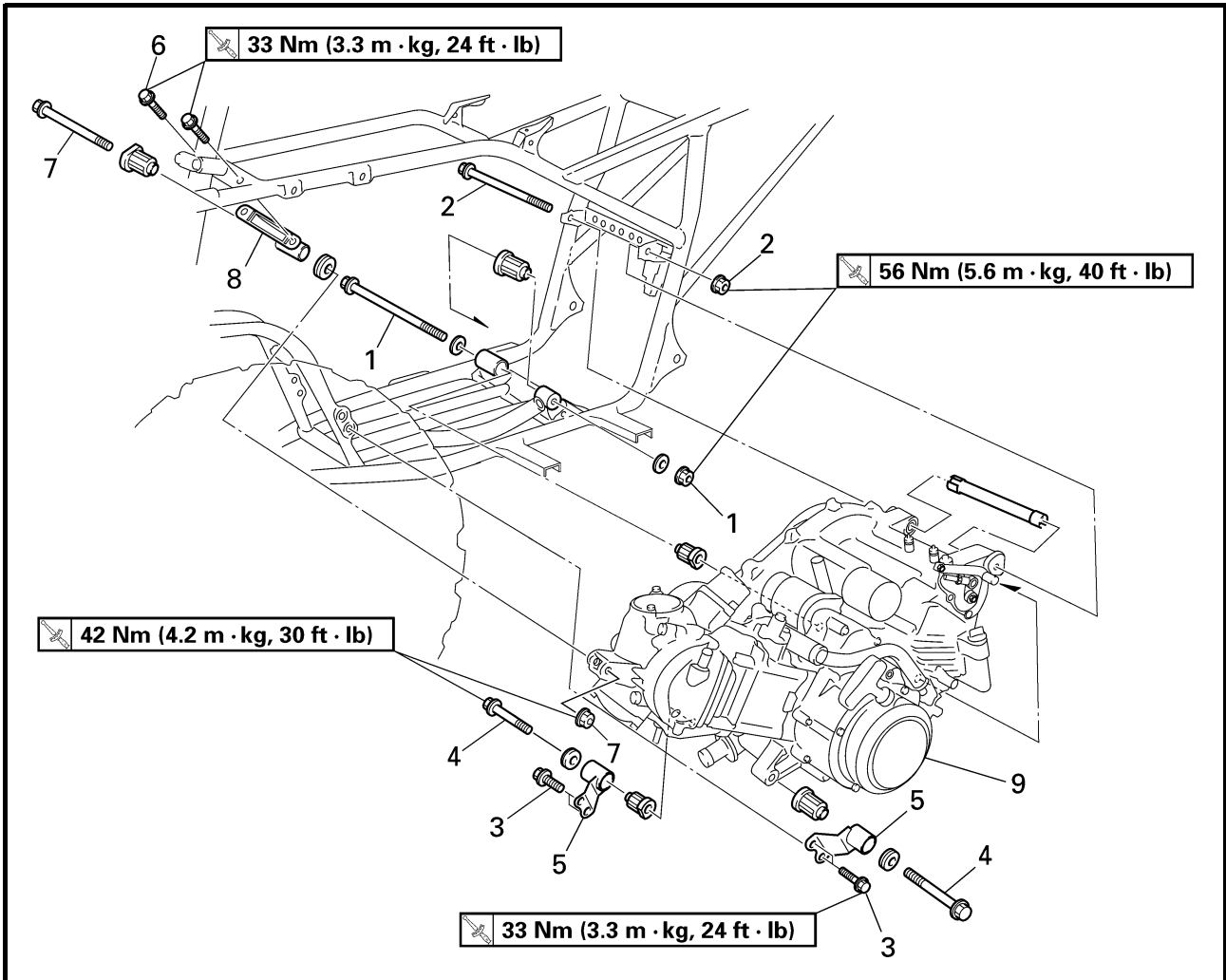
HOSES AND LEADS



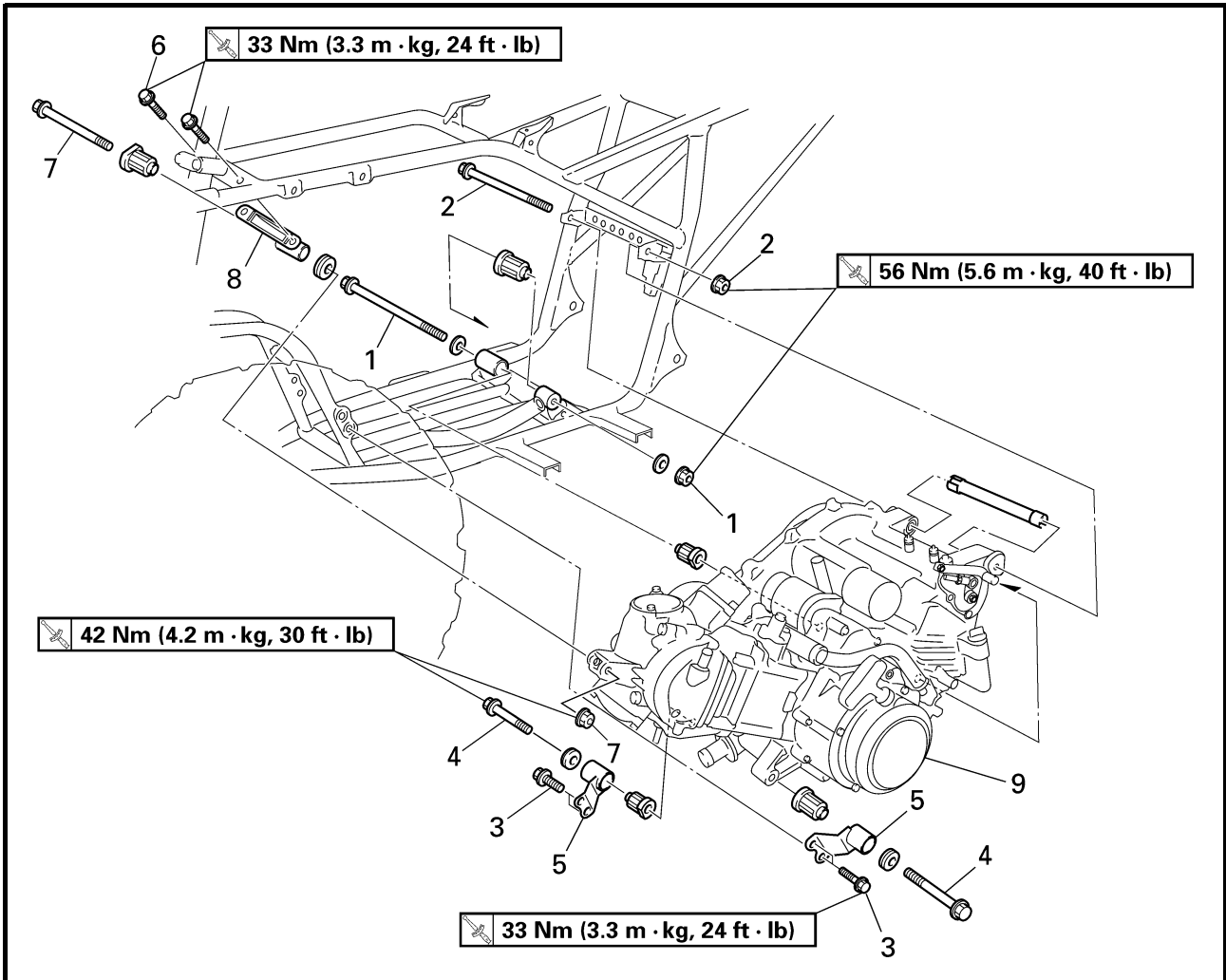
Order	Job name/Part name	Q'ty	Remarks
	Removing the hoses and leads		Remove the parts in the order below. Refer to "WATER PUMP" in CHAPTER 5.
	Water pump inlet hose		
1	Cylinder head breather hose	1	Disconnect. Green/White Sky blue
2	Spark plug lead	1	
3	Thermo switch (cylinder head) lead	1	
4	Starter motor lead	1	
5	A.C. magneto lead coupler	2	
6	Speed sensor lead coupler	1	
7	Reverse switch lead	1	
8	Neutral switch lead	1	
9	Engine ground lead	1	
			For installation, reverse the removal procedure.



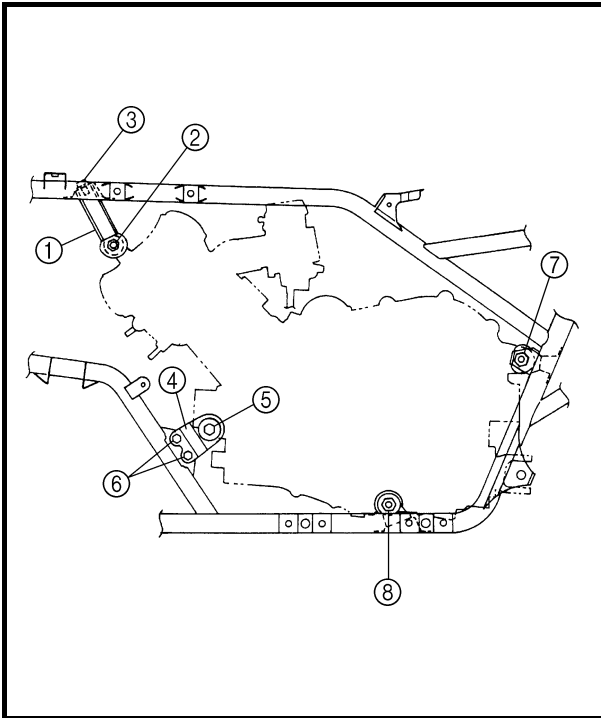
ENGINE MOUNTING BOLTS



Order	Job name/Part name	Q'ty	Remarks
	Removing the engine mounting bolts		Remove the parts in the order below.
	Rear wheels		Refer to "FRONT AND REAR WHEELS" in CHAPTER 8.
	Swingarm		Refer to "REAR SHOCK ABSORBER AND SWINGARM" in CHAPTER 8.
1	Engine mounting bolt (rear-lower)/nut	1/1	<p>CAUTION: _____</p> <p>Install all of the bolts/nuts and then tighten them to full torque specifications.</p> <p>Refer to "INSTALLING THE ENGINE".</p>
2	Engine mounting bolt (rear-upper)/nut	1/1	
3	Engine bracket bolt (front-lower)	4	
4	Engine mounting bolt (font-lower)	2	
5	Engine bracket (front-lower)	2	
6	Engine bracket bolt (front-upper)	2	
7	Engine mounting bolt (front-upper)/nut	1/1	
8	Engine bracket (front-upper)	1	



Order	Job name/Part name	Q'ty	Remarks
9	Engine assembly	1	<p>NOTE: _____ Remove the engine assembly from the left side of the machine. _____</p> <p>For installation, reverse the removal procedure.</p>



INSTALLING THE ENGINE

1. Install:

- Engine bracket (front upper) ①
- Engine mounting bolt (front upper)/nut ②
- Engine bracket bolt (front upper) ③
- Engine bracket (front lower) ④
- Engine mounting bolt (front lower) ⑤
- Engine bracket bolt (front lower) ⑥
- Engine mounting bolt (rear upper)/nut ⑦
- Engine mounting bolt (rear lower)/nut ⑧

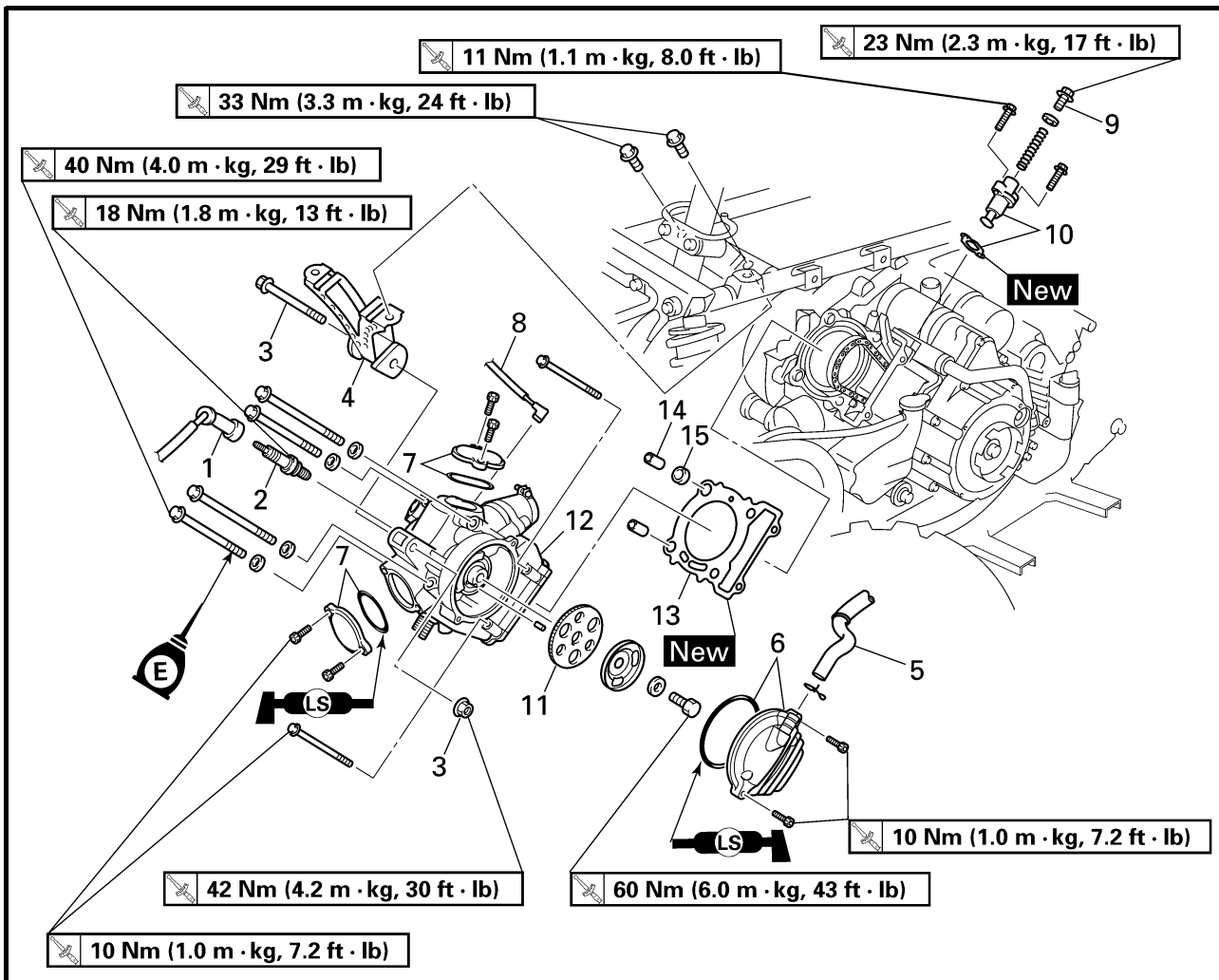
NOTE:

Do not fully tighten the bolts and nuts.

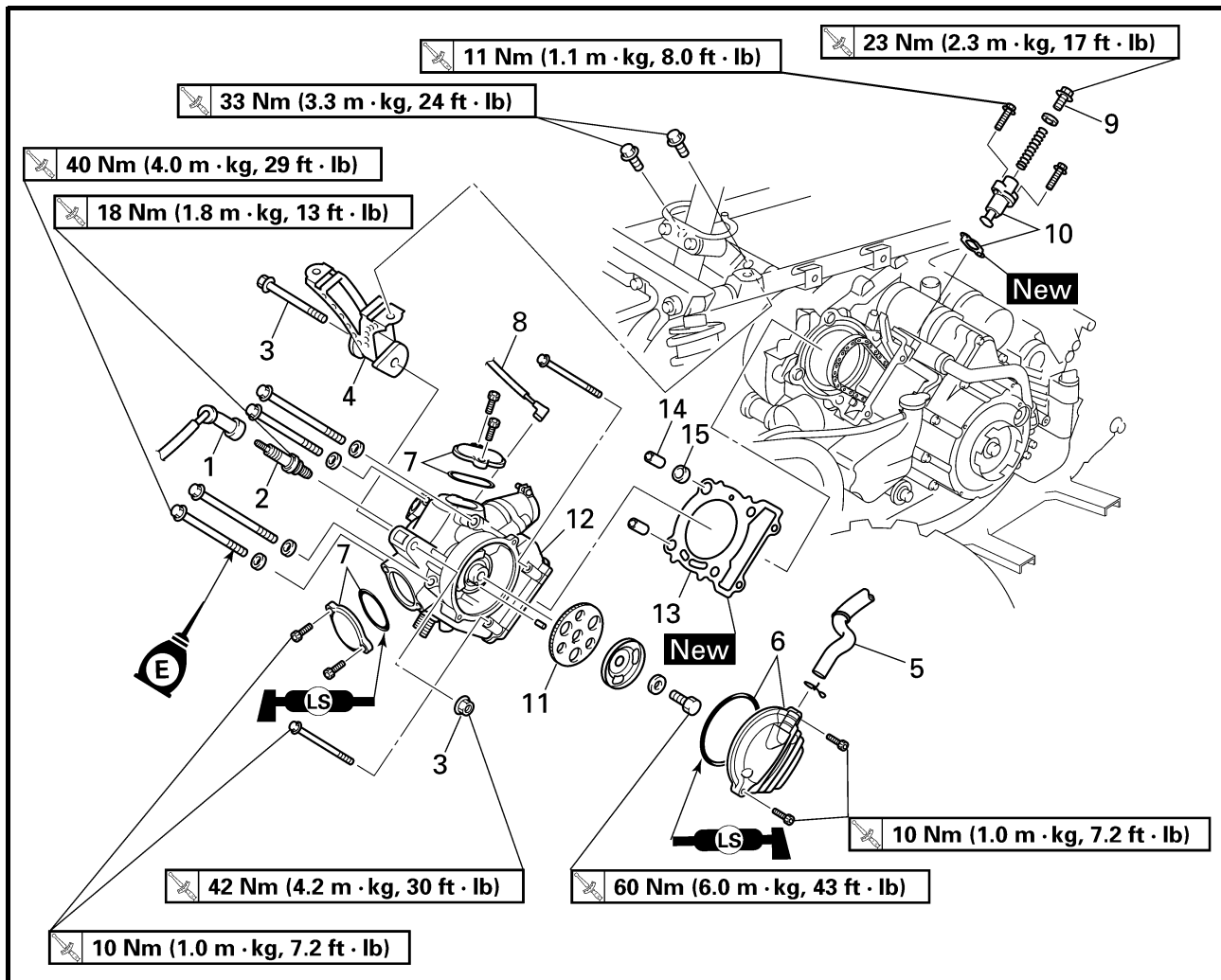
2. Tighten:

- Engine mounting bolt (front upper)/nut ②
↙ 42 Nm (4.2 m • kg, 30 ft • lb)
- Engine bracket bolt (front upper) ③
↙ 33 Nm (3.3 m • kg, 24 ft • lb)
- Engine mounting bolt (front lower) ⑤
↙ 42 Nm (4.2 m • kg, 30 ft • lb)
- Engine bracket bolt (front lower) ⑥
↙ 33 Nm (3.3 m • kg, 24 ft • lb)
- Engine mounting bolt (rear upper)/nut ⑦
↙ 56 Nm (5.6 m • kg, 40 ft • lb)
- Engine mounting bolt (rear lower)/nut ⑧
↙ 56 Nm (5.6 m • kg, 40 ft • lb)

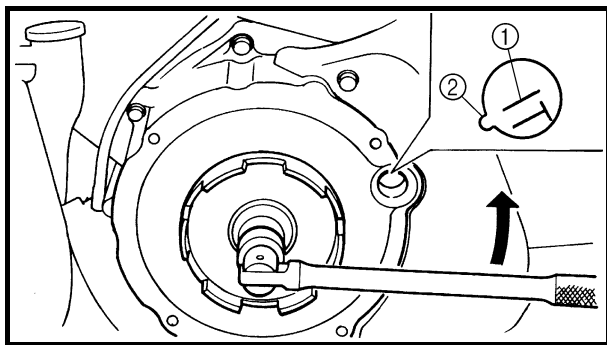
CYLINDER HEAD



Order	Job name/Part name	Q'ty	Remarks
	Removing the cylinder head		Remove the parts in the order below.
	Fuel tank/rubber cover		Refer to "SEAT, CARRIERS, FENDERS AND FUEL TANK" in CHAPTER 3.
	Front fender/air filter case		
	Air duct assembly 1		Refer to "ENGINE REMOVAL".
	Exhaust pipe/muffler		
	Carburetor assembly		Refer to "CARBURETOR" in CHAPTER 6.
	Recoil starter/timing plug		Refer to "ADJUSTING THE VALVE CLEARANCE" in CHAPTER 3.
	Thermostat		Refer to "THERMOSTAT" in CHAPTER 5.
1	Spark plug lead	1	
2	Spark plug	1	
3	Engine mounting bolt (upper)/nut	1/1	
4	Engine bracket (upper)	1	



Order	Job name/Part name	Q'ty	Remarks
5	Cylinder head breather hose	1	
6	Camshaft sprocket cover/O-ring	1/1	
7	Tappet cover/O-ring	2/2	
8	Thermo switch (cylinder head) lead	1	Disconnect.
9	Timing chain tensioner cap bolt	1	Refer to "REMOVING/INSTALLING THE CYLINDER HEAD".
10	Timing chain tensioner/gasket	1/1	
11	Camshaft sprocket	1	
12	Cylinder head	1	
13	Cylinder head gasket	1	
14	Dowel pin	2	
15	O-ring	1	
			For installation, reverse the removal procedure.



REMOVING THE CYLINDER HEAD

1.Align:

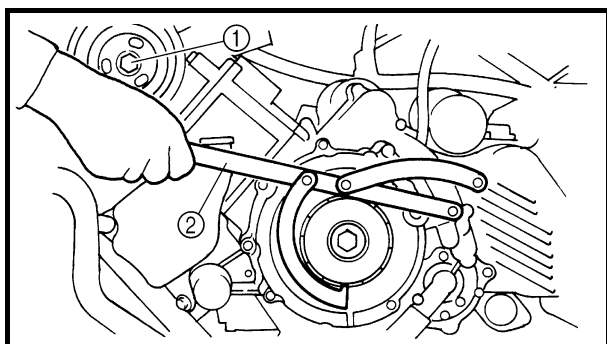
- “T” mark
(with stationary pointer)

Checking steps:

- Turn the crankshaft counterclockwise with a wrench.
- Align the “T” mark ① on the rotor with the stationary pointer ② on the crankcase cover. When the “T” mark is aligned with the stationary pointer, the piston is at the Top Dead Center (T.D.C.).

NOTE:

- When the piston is at the Top Dead Center (T.D.C.) on the compression stroke, there should be clearance between the valve stem tips and their respective rocker arm adjusting screws.
- If there is no clearance, rotate the crankshaft counterclockwise one turn.



2.Loosen:

- Camshaft sprocket bolt ①

NOTE:

Use the rotor holding tool ② to hold the starter pulley.

	<p>Rotor holding tool: P/N. YU-01235, 90890-01235</p>
--	--

3.Loosen:

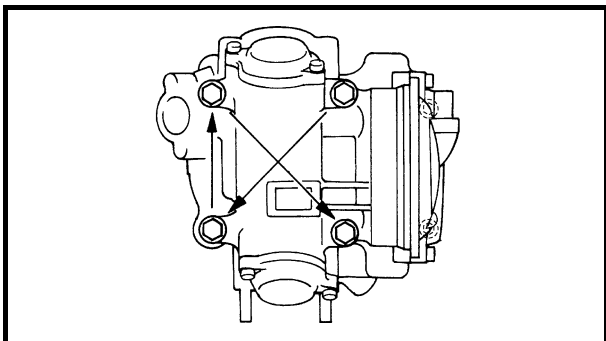
- Timing chain tensioner cap bolt

4.Remove:

- Timing chain tensioner
- Camshaft sprocket

**NOTE:**

- Fasten a safety wire to the timing chain to prevent it from falling into the crankcase.
- When removing the camshaft sprocket, it is not necessary to separate the timing chain.

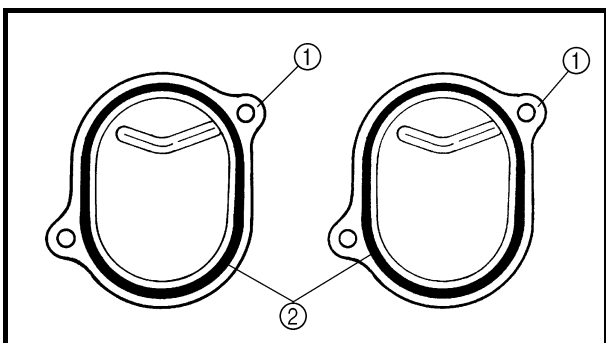


5.Remove:

- Cylinder head

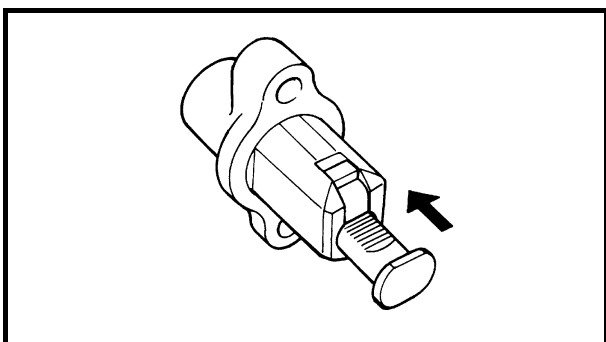
NOTE:

- Loosen the 6 mm bolts first.
- Working in a crisscross pattern, loosen each 10 mm bolt 1/4 of a turn. After all the bolts are loosened, remove them.

**CHECKING THE TAPPET COVERS**

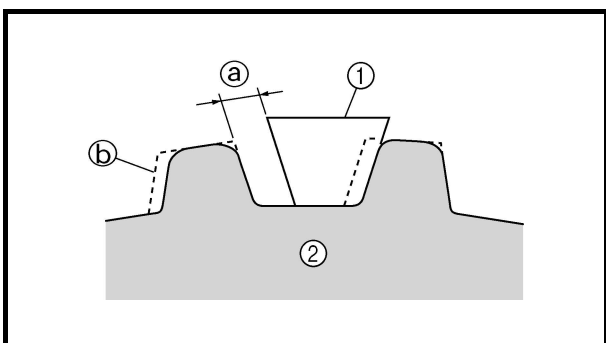
1.Check:

- Tappet covers ①
- O-rings ②
Cracks/damage → Replace.

**CHECKING THE TIMING CHAIN TENSIONER**

1.Check:

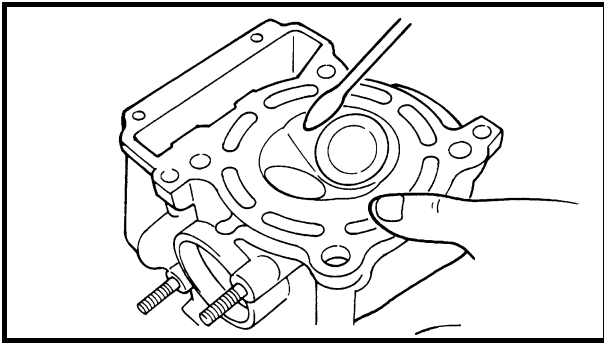
- One-way cam operation (tensioner)
Unsmooth operation → Replace.

**CHECKING THE CAMSHAFT SPROCKET**

1.Check:

- Camshaft sprocket
Wear/damage → Replace the camshaft sprocket and timing chain as a set.

- Ⓐ 1/4 of a tooth
- Ⓑ Correct
- ① Timing chain
- ② Sprocket



CHECKING THE CYLINDER HEAD

1. Eliminate:

- Carbon deposits (from the combustion chambers)
Use a rounded scraper.

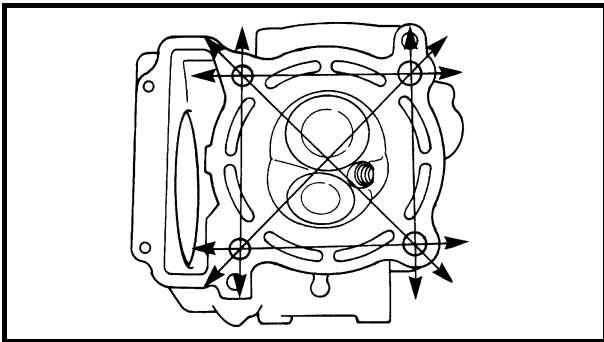
NOTE:

Do not use a sharp instrument to avoid damaging or scratching:

- Spark plug threads
- Valve seats

2. Check:

- Cylinder head
Scratches/damage → Replace.
- Cylinder head water jacket
Mineral deposits/rust → Eliminate.



3. Measure:

- Cylinder head warpage
Out of specification → Resurface.



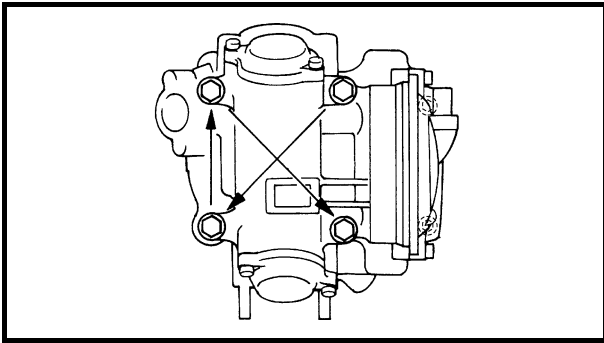
**Cylinder head warpage:
Less than 0.03 mm (0.012 in)**

Measurement and resurfacing steps:

- Place a straightedge and a feeler gauge across the cylinder head.
- Use a feeler gauge to measure the warpage.
- If the warpage is out of specification, resurface the cylinder head.
- Place a 400 ~ 600 grit wet sandpaper on the surface plate, and resurface the head using a figure-eight sanding pattern.

NOTE:



To ensure an even surface rotate the cylinder head several times.



INSTALLING THE CYLINDER HEAD

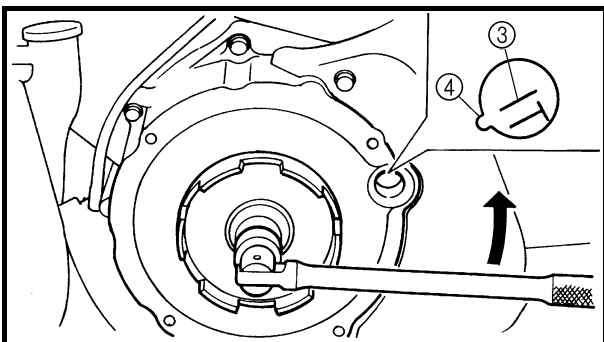
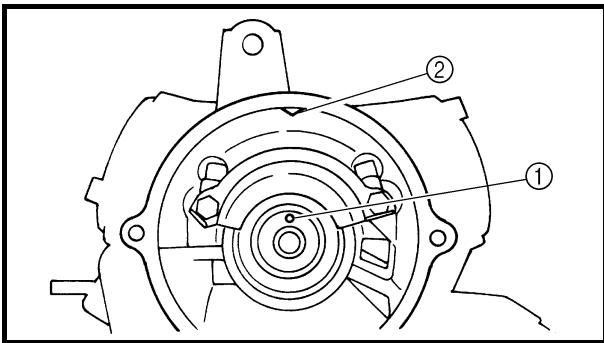
1. Install:

- Cylinder head
- Bolts (M10)
- Bolts (M6)

	40 Nm (4.0 m • kg, 29 ft • lb)
	10 Nm (1.0 m • kg, 7.2 ft • lb)

NOTE:

- Lubricate the washer with engine oil.
- Tighten the bolts (M10) in two stages and a crisscross pattern.



2. Install:

- Camshaft sprocket

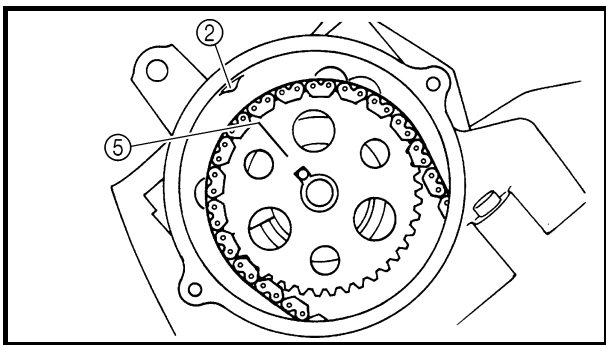
Installing steps:

- Rotate the camshaft to align the camshaft pin ① with the cylinder head match mark ②.
- Turn the crankshaft counterclockwise with a wrench.
- Align the “T” mark ③ on the rotor with the stationary pointer ④ on the crankcase cover. When the “T” mark is aligned with the stationary pointer, the piston is at the Top Dead Center (T.D.C.).

CAUTION:

Do not turn the crankshaft during the camshaft sprocket installation.

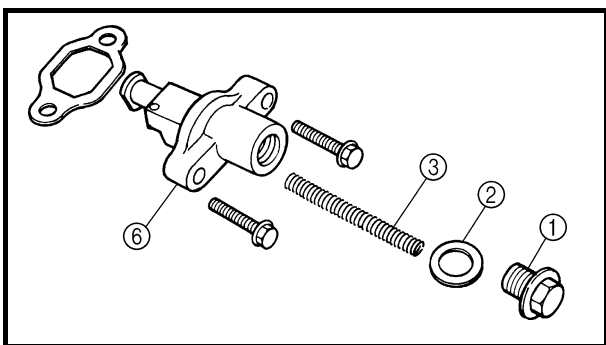
- Place the timing chain onto the camshaft sprocket.
- Install the camshaft sprocket onto the camshaft and finger tighten the sprocket bolt.



NOTE:

Be sure the "I" mark (5) on the camshaft sprocket is aligned with the match mark (2) on the cylinder head.

- Force the camshaft clockwise and counterclockwise to remove timing chain slack.
- Insert a screwdriver into the timing chain tensioner hole and push the timing chain guide inward.
- While pushing the timing chain guide, be sure that the camshaft sprocket "I" mark (5) is aligned with the cylinder head match mark (2).
- If the marks are aligned, tighten the camshaft sprocket bolt. If the marks are not aligned, change the meshing position of the camshaft sprocket and timing chain.

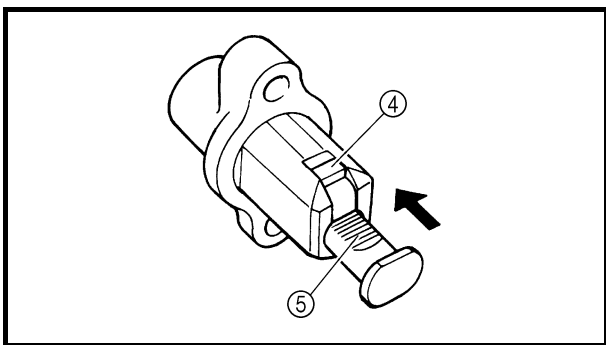


3. Install:

- Timing chain tensioner

Installation steps:


- Remove the tensioner cap bolt (1), washer (2) and spring (3).
- Release the timing chain tensioner one-way cam (4) and push the tensioner rod (5) all the way in.
- Install the tensioner (6) with a new gasket into the cylinder.

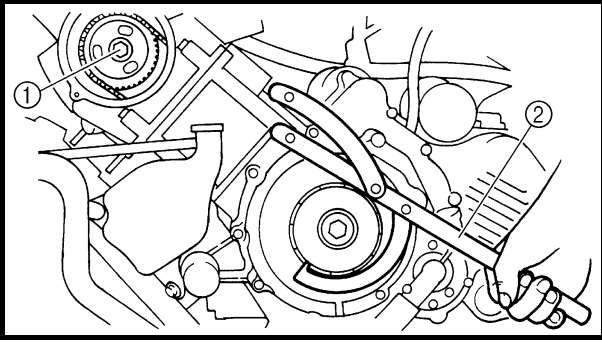


	<p>Bolts (timing chain tensioner): 11 Nm (1.1 m • kg, 8.0 ft • lb)</p>
---	---

⚠ WARNING Always use a new gasket.


- Install the spring, washer and cap bolt.

	<p>Cap bolt (timing chain tensioner): 23 Nm (2.3 m • kg, 17 ft • lb)</p>
---	---



4. Tighten:

- Camshaft sprocket bolt ①

 **60 Nm (6.0 m • kg, 43 ft • lb)**

NOTE: _____

Use the rotor holding tool ② to hold the starter pulley.



Rotor holding tool:

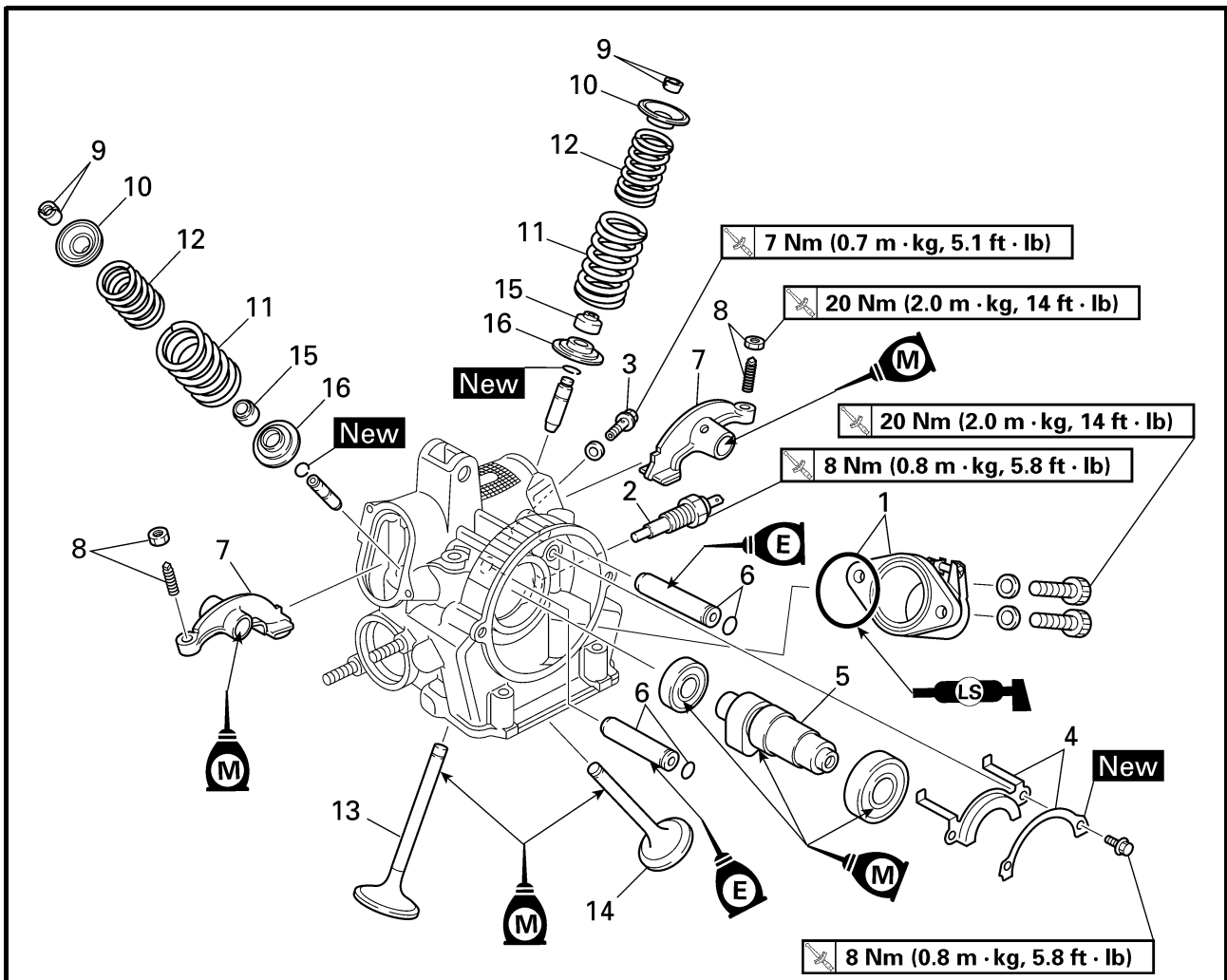
P/N. YU-01235, 90890-01235

5. Check:

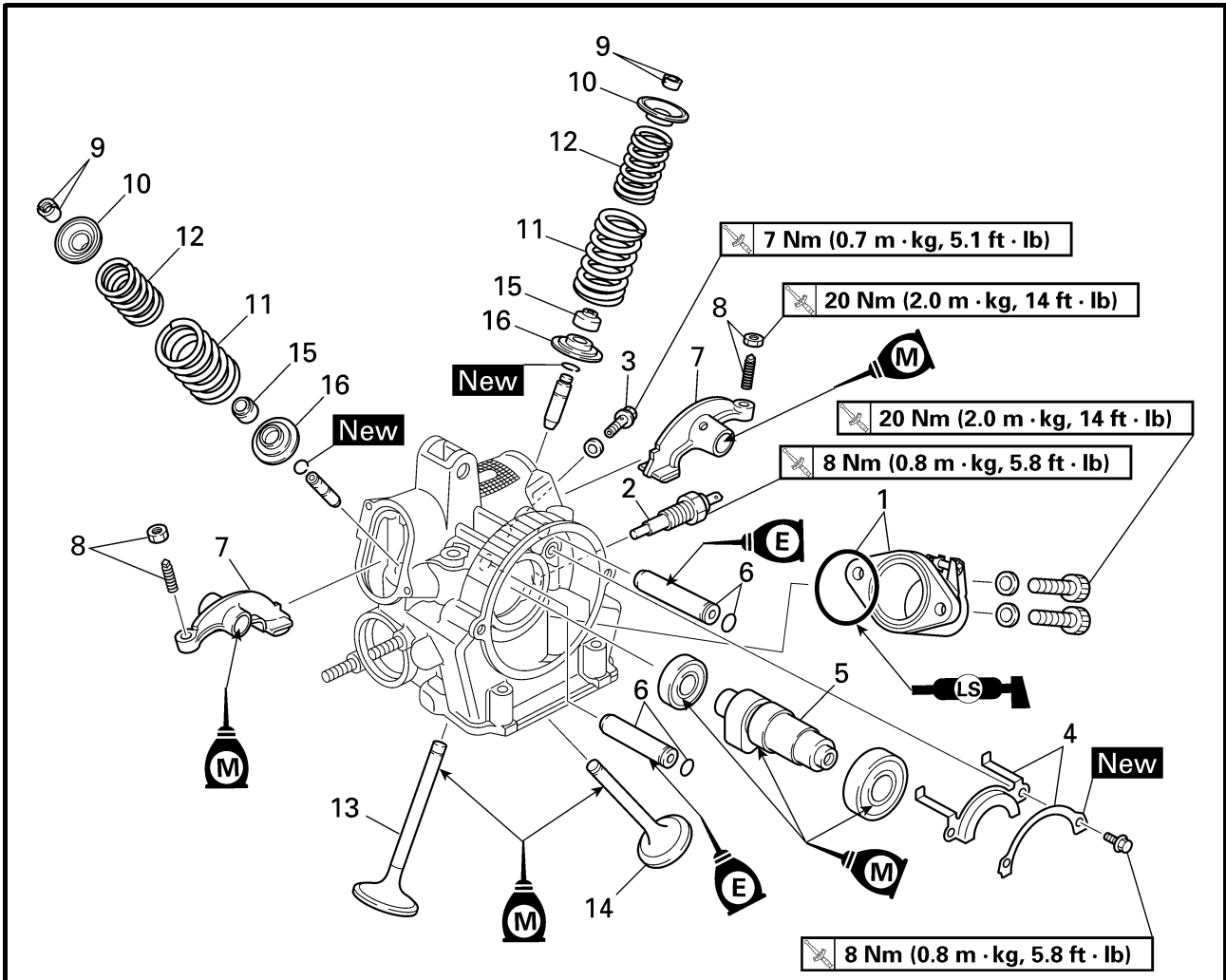
- Camshaft sprocket "I" mark
 - Rotor "T" mark
- Out of alignment → Adjust.



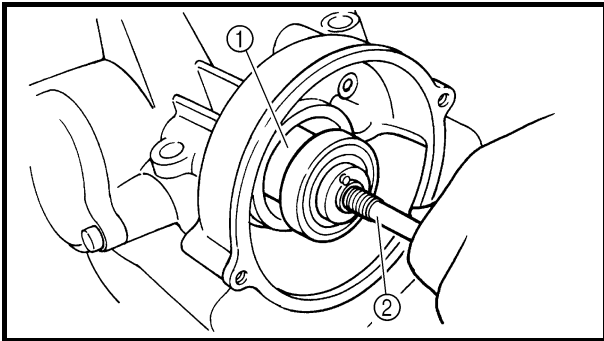
CAMSHAFT, ROCKER ARMS AND VALVES



Order	Job name/Part name	Q'ty	Remarks
	Removing the camshaft, rocker arms and valves		Remove the parts in the order below.
1	Intake manifold/O-ring	1/1	
2	Thermo switch (cylinder head)	1	
3	Oil check bolt	1	
4	Lock washer/bearing retainer	1/1	
5	Camshaft	1	
6	Rocker arm shaft/O-ring	2/2	Refer to "REMOVING/INSTALLING THE CAMSHAFT AND ROCKER ARMS".
7	Rocker arm	2	
8	Locknut/valve adjuster	2/2	
9	Valve cotter	4	Refer to "REMOVING/INSTALLING THE VALVES AND VALVE SPRINGS".
10	Valve spring retainer	2	
11	Valve spring (outer)	2	



Order	Job name/Part name	Q'ty	Remarks
12	Valve spring (inner)	2	Refer to "REMOVING/INSTALLING THE VALVES AND VALVE SPRINGS".
13	Valve (intake)	1	
14	Valve (exhaust)	1	
15	Valve stem seal	2	
16	Valve spring seat	2	
			For installation, reverse the removal procedure.



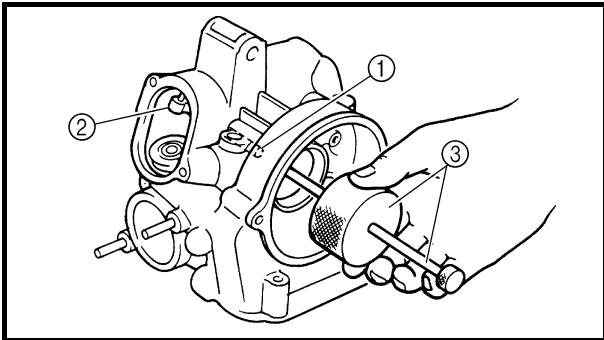
REMOVING THE CAMSHAFT AND ROCKER ARMS

1.Remove:

- Camshaft ①

NOTE:

Screw in a M10 bolt ② into the thread hole on the camshaft, and pull out the camshaft.



2.Remove:

- Rocker arm shafts (intake and exhaust) ①
- Rocker arms ②

NOTE:

Use a slide hammer ③ to remove the rocker arm shafts.



Slide hammer set:

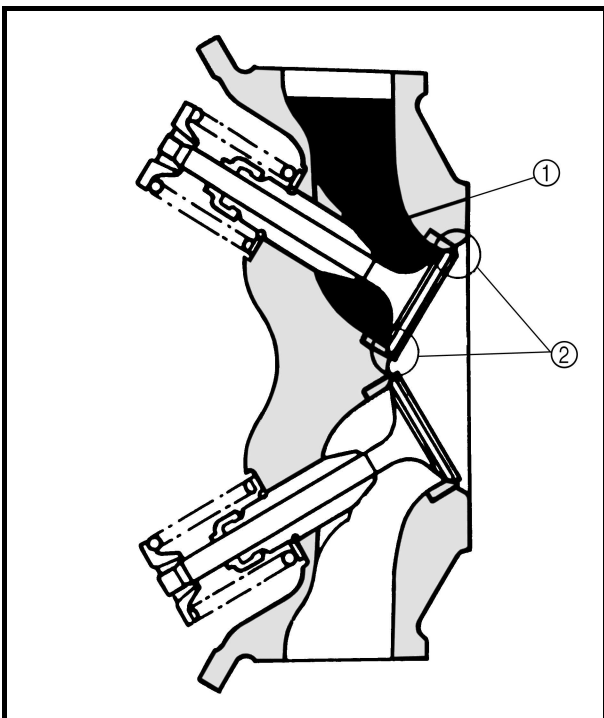
P/N. YU-01083-A

Slide hammer bolt (M6):

P/N. 90890-01083

Weight:

P/N. 90890-01084



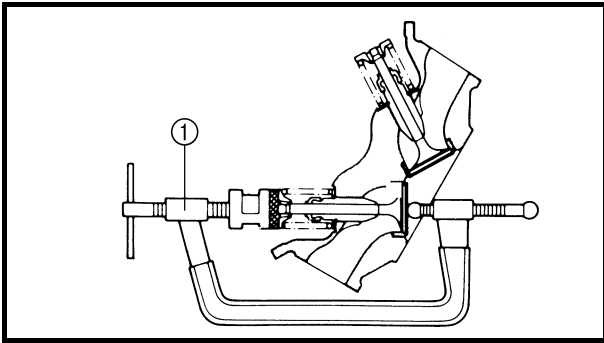
REMOVING THE VALVES AND VALVE SPRINGS

1.Check:

- Valve sealing
Leakage at the valve seat → Check the valve face, valve seat and valve seat width.
Refer to "CHECKING THE VALVES AND VALVE SPRINGS".

Checking steps:

- Pour a clean solvent ① into the intake and exhaust ports.
- Check that the valve seals properly.
There should be no leakage at the valve seat ②.



- 2.Remove:
- Valve cotters

NOTE:

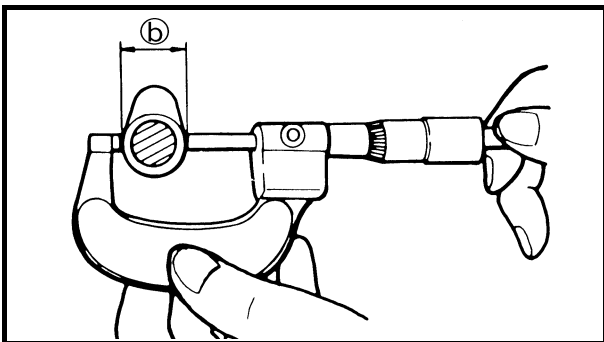
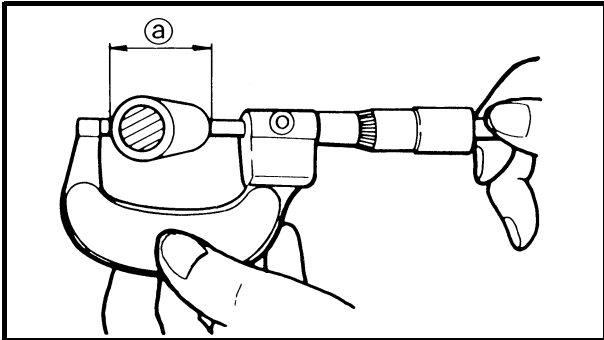
Attach a valve spring compressor ① between the valve spring retainer and the cylinder head to remove the valve cotters.



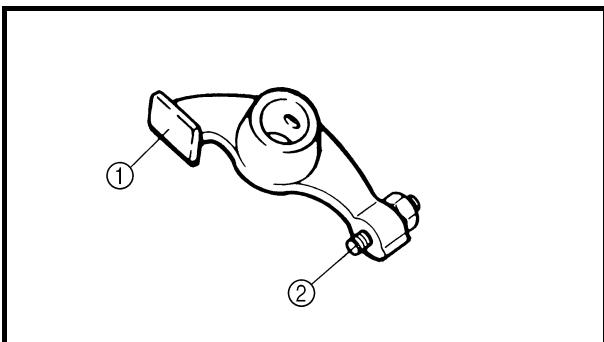
Valve spring compressor:
P/N. YM-04019, 90890-04019

CHECKING THE CAMSHAFT

- 1.Check:
- Cam lobes
Pitting/scratches/blue discoloration → Replace.
- 2.Measure:
- Cam lobes length ① and ②.
Out of specification → Replace.



Camshaft lobe limit:
Intake:
① 40.52 mm (1.595 in)
② 32.08 mm (1.263 in)
Exhaust:
① 40.52 mm (1.595 in)
② 32.08 mm (1.263 in)



CHECKING THE ROCKER ARMS AND CAMSHAFT

- 1.Check:
- Camshaft lobe contact surface ①
 - Valve adjusters ②
Blue discoloration/pitting/scratches → Replace.



2. Check:

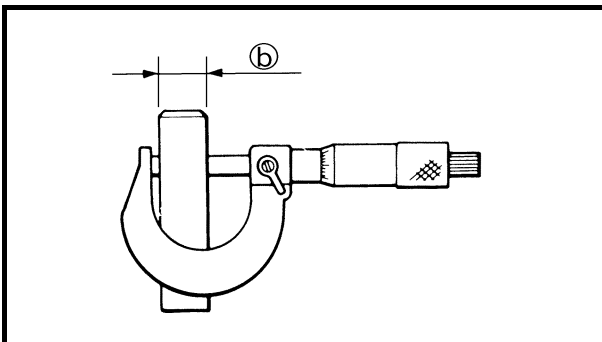
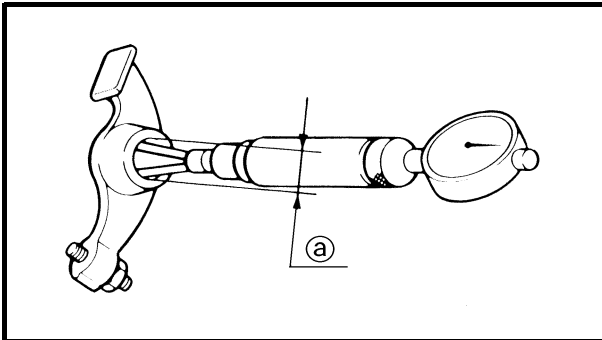
- Rocker arms
 - Rocker arm shafts
- Damage/wear → Replace.

Checking steps:

- Check the two contact areas on the rocker arms for signs of abnormal wear.
 - 1) Rocker arm shaft hole
 - 2) Camshaft lobe contact surface
 Excessive wear → Replace.
- Check the surface of the rocker arm shafts.

Blue discoloration/pitting/scratches → Replace/check lubrication.
- Measure the inside diameter (a) of the rocker arm holes.

Out of specification → Replace.



	<p>Rocker arm inside diameter: 12.000 ~ 12.018 mm (0.4724 ~ 0.4731 in)</p>
--	---

- Measure the outside diameter (b) of the rocker arm shafts.

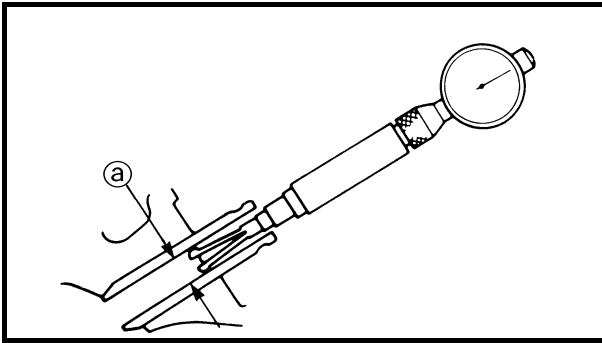
Out of specification → Replace.

	<p>Rocker arm outside diameter: 11.981 ~ 11.991 mm (0.4717 ~ 0.4721 in)</p>
--	--

- Calculate the clearance by subtracting the rocker arm shaft outside diameter from the rocker arm inside diameter.

Clearance greater than 0.08 mm (0.003 in) → Replace the defective part(s).

	<p>Rocker arm to shaft standard clearance: 0.009 ~ 0.037 mm (0.0004 ~ 0.0015 in)</p>
--	---



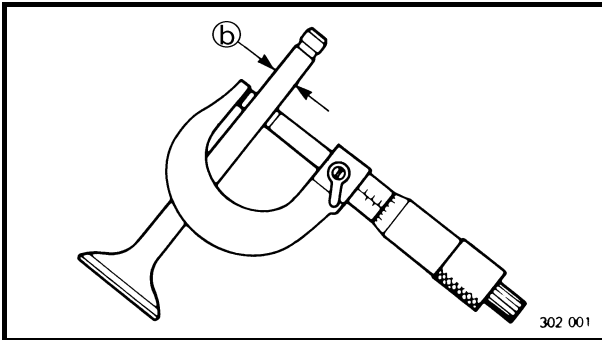
CHECKING THE VALVES AND VALVE SPRINGS

1. Measure:

- Stem-to-guide clearance

$$\text{Stem-to-guide clearance} = \text{valve guide inside diameter (a)} - \text{valve stem diameter (b)}$$

Out of specification → Replace the valve guide.



Clearance (stem to guide):

Intake:

0.010 ~ 0.037 mm

(0.0004 ~ 0.0015 in)

<Limit>: 0.080 mm (0.0031 in)

Exhaust:

0.030 ~ 0.057 mm

(0.0012 ~ 0.0022 in)

<Limit>: 0.100 mm (0.0039 in)

2. Replace:

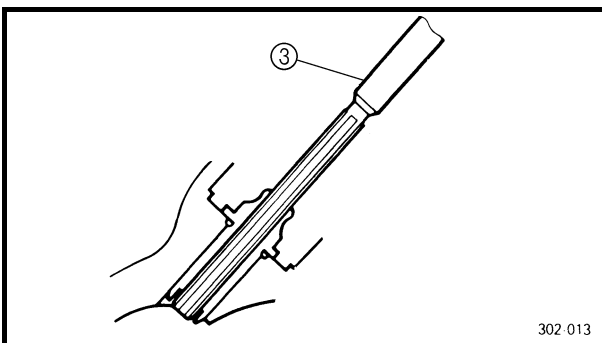
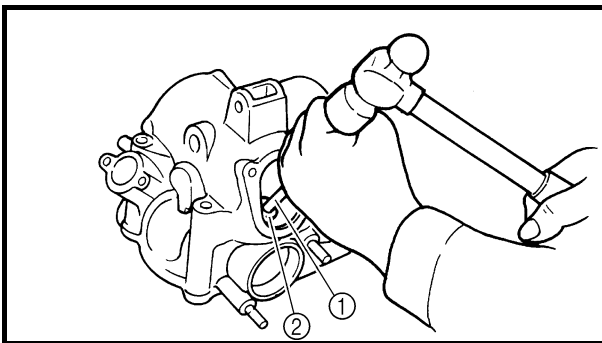
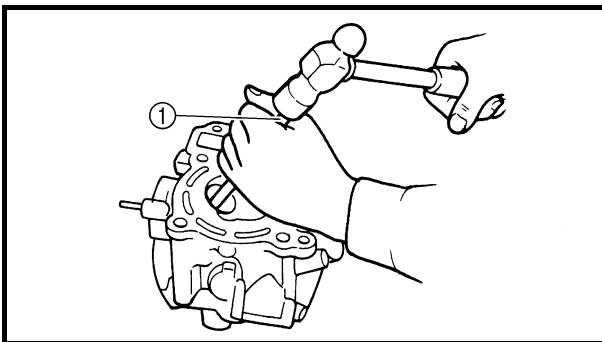
- Valve guide

Replacement steps:

NOTE:

To ease guide removal, installation and to maintain correct fit, heat the cylinder head to 100 °C (212 °F) in an oven.

- Remove the valve guide using a valve guide remover ①.
- Install the new valve guide using a valve guide remover ① and valve guide installer ②.
- After installing the valve guide, bore the valve guide using a valve guide reamer ③ to obtain proper stem-to-guide clearance.



Valve guide remover (7.0 mm):
P/N. YM-01225-A, 90890-01225

Valve guide installer (7.0 mm):
P/N. YM-04017, 90890-04017

Valve guide reamer (7.0 mm):
P/N. YM-01227, 90890-01227

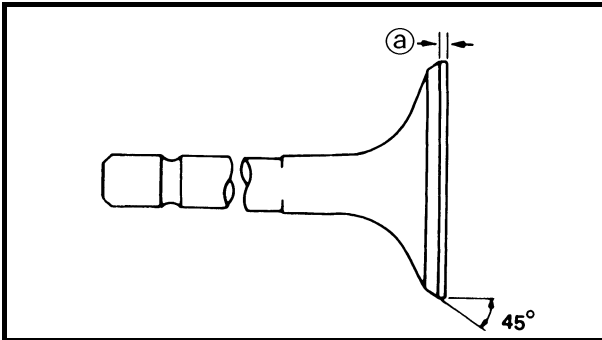
NOTE:

After replacing the valve guide reface the valve seat.



3. Check:

- Valve face
Pitting/wear → Grind the face.
- Valve stem end
Mushroom shape or diameter larger than the body of the stem → Replace.



4. Measure:

- Margin thickness (a)
Out of specification → Replace.



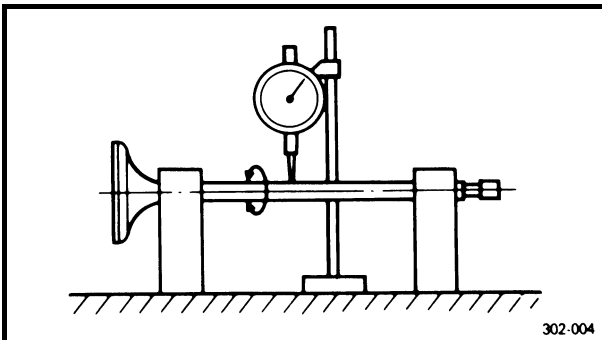
Margin thickness:

Intake:

1.0 ~ 1.4 mm (0.0394 ~ 0.0551 in)

Exhaust:

0.8 ~ 1.2 mm (0.0315 ~ 0.0472 in)



5. Measure:

- Runout (valve stem)
Out of specification → Replace.



Runout limit:

0.01 mm (0.0004 in)

NOTE:

- When installing a new valve, always replace the guide.
- When a valve is removed or replaced, always replace the oil seal.

6. Eliminate:

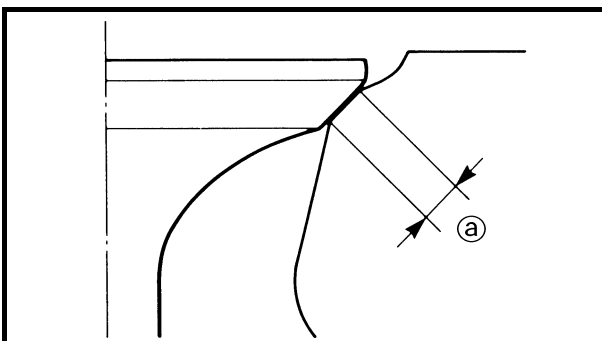
- Carbon deposits
(from the valve face and valve seat)

7. Check:

- Valve seat
Pitting/wear → Reface the valve seat.

8. Measure:

- Valve seat width (a)
Out of specification → Reface the valve seat.



Valve seat width:

Intake:

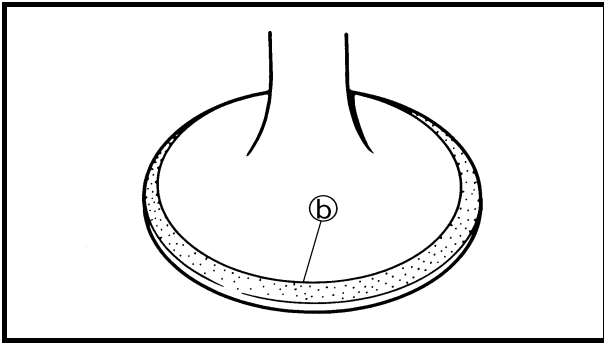
1.2 ~ 1.4 mm (0.0472 ~ 0.0551 in)

<Limit>: 1.6 mm (0.0630 in)

Exhaust:

1.2 ~ 1.4 mm (0.0472 ~ 0.0551 in)

<Limit>: 1.6 mm (0.0630 in)



Measurement steps:

- Apply Mechanic's blueing dye (Dykem) (b) to the valve face.
- Install the valve into the cylinder head.
- Press the valve through the valve guide and onto the valve seat to make a clear pattern.
- Measure the valve seat width. Where the valve seat and valve face made contact, blueing will have been removed.
- If the valve seat is too wide, too narrow, or the seat is not centered, the valve seat must be refaced.

9.Lap:

- Valve face
- Valve seat

NOTE: _____

After refacing the valve seat or replacing the valve and valve guide, the valve seat and valve face should be lapped.

Lapping steps:

- Apply a coarse lapping compound to the valve face.

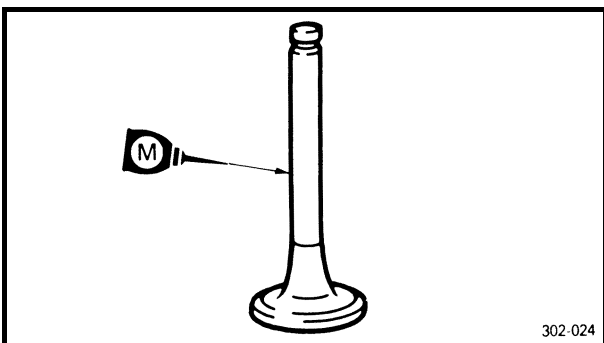
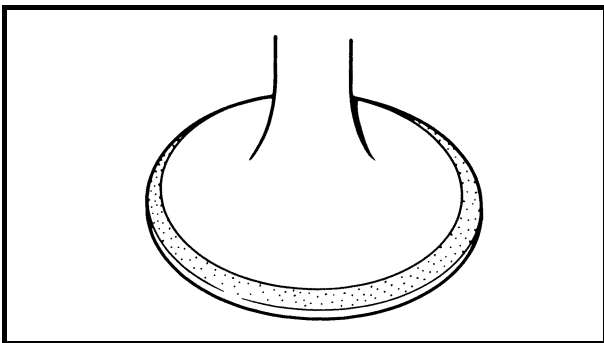
CAUTION: _____

Do not let the compound enter the gap between the valve stem and the guide.

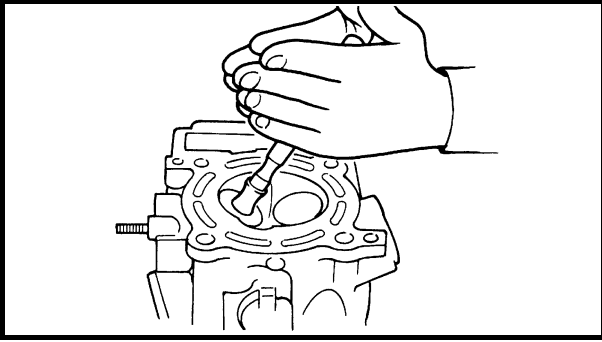
- Apply molybdenum disulfide oil to the valve stem.
- Install the valve into the cylinder head.
- Turn the valve until the valve face and valve seat are evenly polished, then clean off all of the compound.

NOTE: _____

For best lapping results, lightly tap the valve seat while rotating the valve back and forth between your hands.



302-024

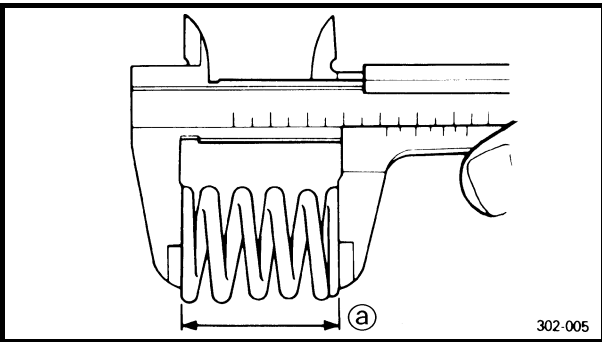


- Apply a fine lapping compound to the valve face and repeat the above steps.

NOTE:

After every lapping operation, be sure to clean off all of the compound from the valve face and valve seat.

- Apply Mechanic's blueing dye (Dykem) to the valve face.
- Install the valve into the cylinder head.
- Press the valve through the valve guide and onto the valve seat to make a clear pattern.
- Measure the valve seat width again. If the valve seat width is out of specification, reface and relap the valve seat.



302-005

10.Measure:

- Valve spring free length [Ⓐ]
Out of specification → Replace.



Free length (valve spring):

Inner:

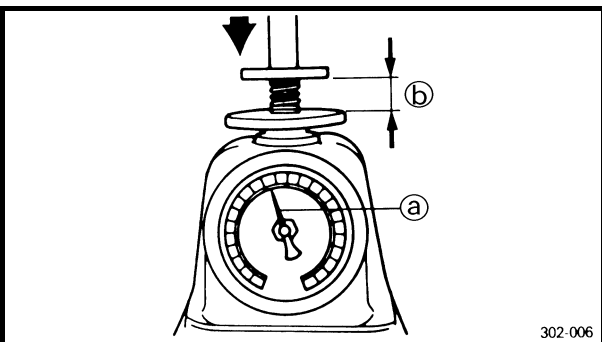
39.9 mm (1.57 in)

<Limit>: 37.9 mm (1.49 in)

Outer:

43.27 mm (1.70 in)

<Limit>: 41.27 mm (1.62 in)



302-006

11.Measure:

- Compressed spring force [Ⓐ]
Out of specification → Replace.
- Ⓑ Installed length



Compressed spring force:

Inner:

104.9 ~ 120.6 N at 33.6 mm

(10.70 ~ 12.30 kg,

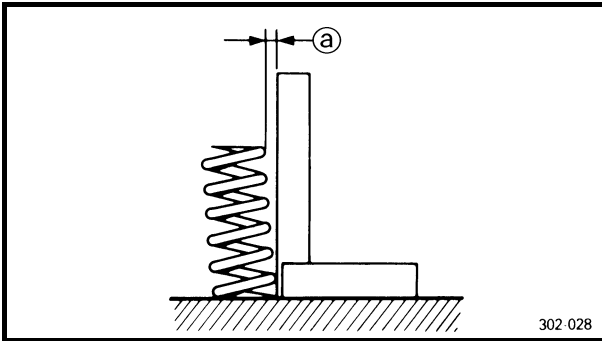
23.58 ~ 27.11 lb at 1.32 in)

Outer:

235.4 ~ 251.1 N at 36.6 mm

(24.00 ~ 25.60 kg,

52.91 ~ 56.45 lb at 1.44 in)



12. Measure:

- Spring tilt ①
- Out of specification → Replace.



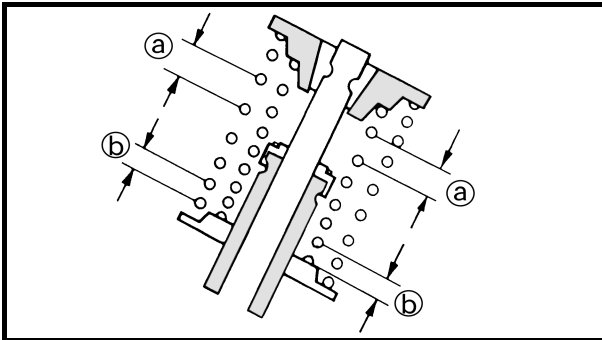
Spring tilt limit:

Inner:

2.5°/1.6 mm (0.06 in)

Outer:

2.5°/1.6 mm (0.06 in)



INSTALLING THE VALVES AND VALVE SPRINGS

1. Apply:

- Molybdenum disulfide oil
(onto the valve stem and valve stem seal)

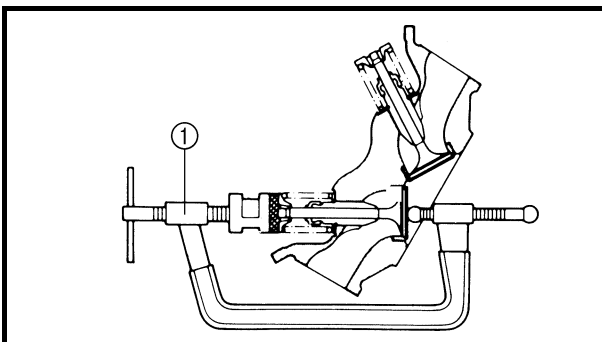
2. Install:

- Valve spring seat
- Valve stem seal **New**
- Valve
- Valve springs (inner and outer)
- Valve spring retainer

NOTE:

Install the valve springs with the larger pitch ① facing upwards.

② Smaller pitch



3. Install:

- Valve cotters

NOTE:

Install the valve cotters while compressing the valve springs with the valve spring compressor ①.



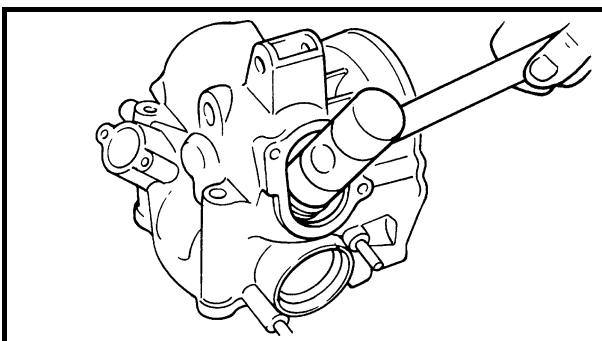
Valve spring compressor:

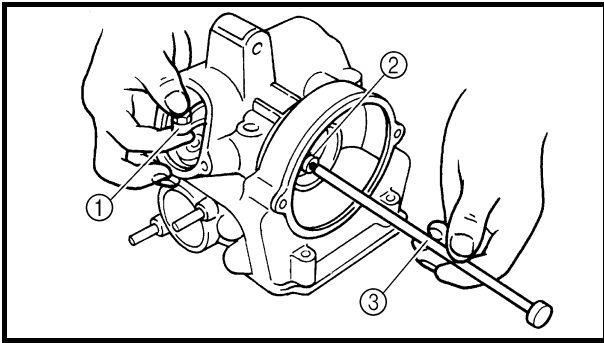
P/N. YM-04019, 90890-04019

4. To secure the valve cotters onto the valve stem, lightly tap the valve tip with a piece of wood.

CAUTION:

Hitting the valve tip with excessive force could damage the valve.





INSTALLING THE CAMSHAFT AND ROCKER ARMS

1. Apply:

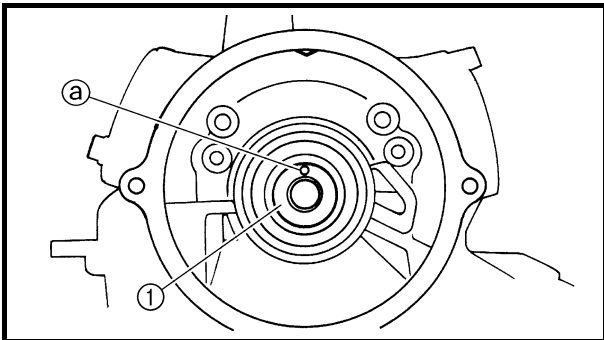
- Engine oil
(onto the rocker arm shafts)

2. Install:

- Rocker arms ①
- Rocker arm shafts (intake and exhaust) ②

NOTE:

Use a slide hammer bolt ③ to install the rocker arm shafts.



3. Install:

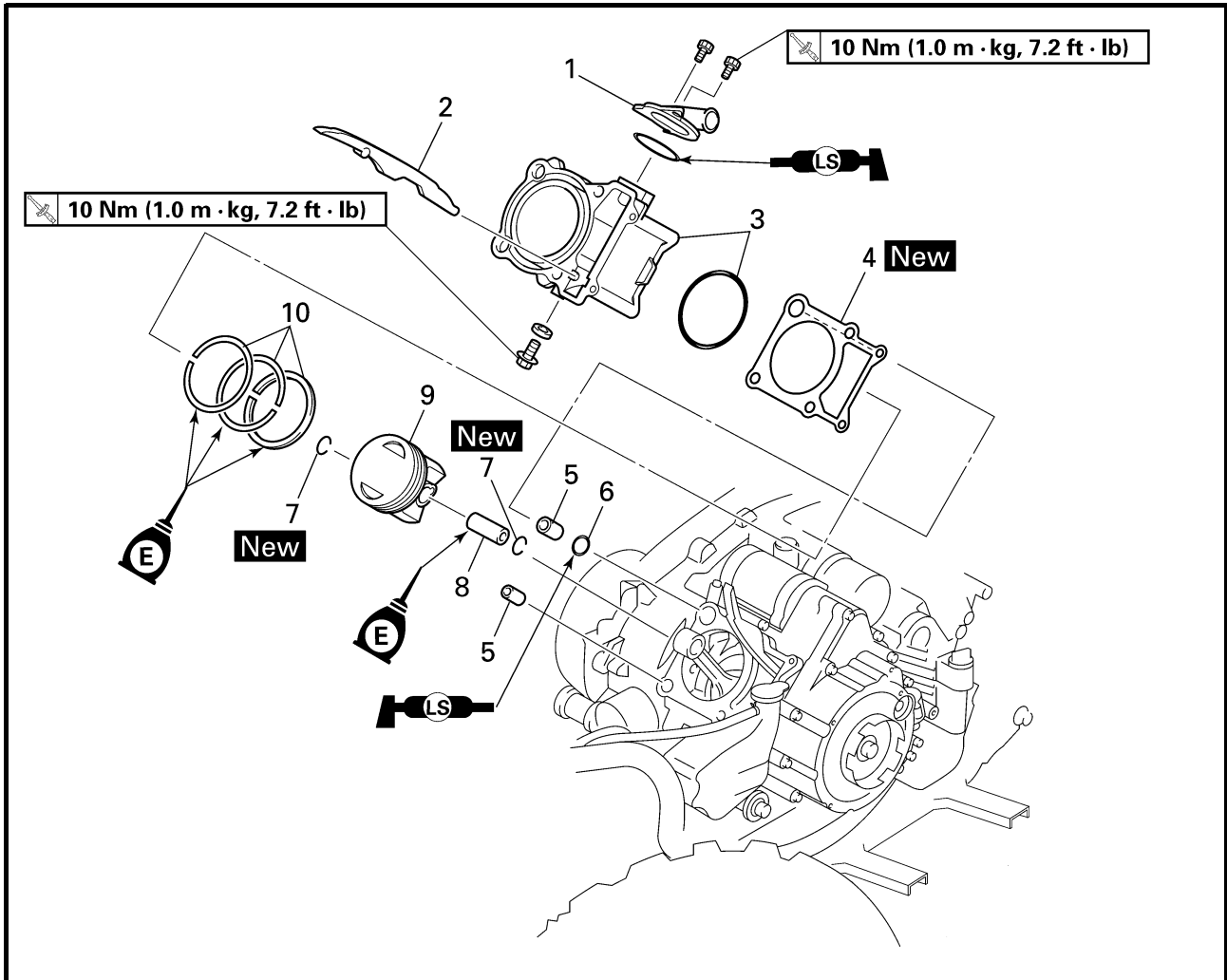
- Camshaft ①

NOTE:

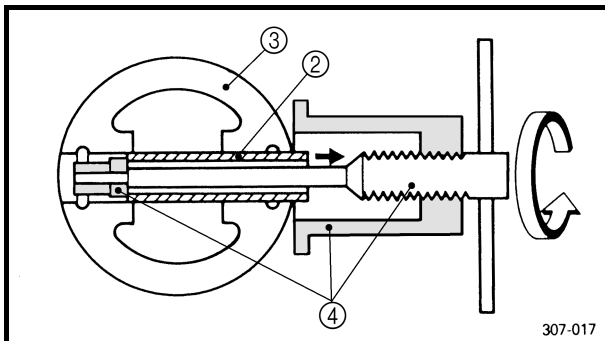
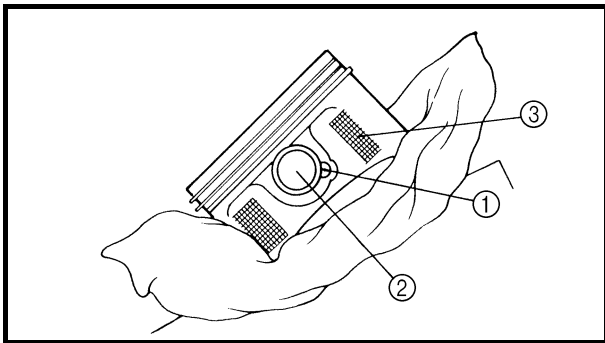
Install the camshaft pin hole @ facing up.



CYLINDER AND PISTON



Order	Job name/Part name	Q'ty	Remarks
	Removing the cylinder and piston		Remove the parts in the order below.
	Cylinder head		Refer to "CYLINDER HEAD".
	Water pump outlet hose/pipe		Refer to "WATER PUMP" in CHAPTER 5.
1	Coolant inlet joint	1	
2	Timing chain guide (exhaust)	1	
3	Cylinder/O-ring	1/1	Refer to "INSTALLING THE CYLINDER".
4	Cylinder gasket	1	
5	Dowel pin	2	
6	O-ring	1	
7	Piston pin clip	2	
8	Piston pin	1	Refer to "REMOVING/INSTALLING THE PISTON".
9	Piston	1	
10	Piston ring set	1	
			For installation, reverse the removal procedure.



REMOVING THE PISTON

1.Remove:

- Piston pin clips ①
- Piston pin ②
- Piston ③

NOTE:

Before removing piston pin, deburr the clip groove and pin hole area. If the piston pin groove is deburred and the piston pin is still difficult to remove, use the piston pin puller ④.



Piston pin puller set:
P/N. YU-01304, 90890-01304

CAUTION:

Do not use a hammer to drive the piston pin out.

2.Remove:

- Piston rings

NOTE:

Spread the end gaps apart while at the same time lifting the piston ring over the top of the piston crown.

CHECKING THE TIMING CHAIN GUIDE

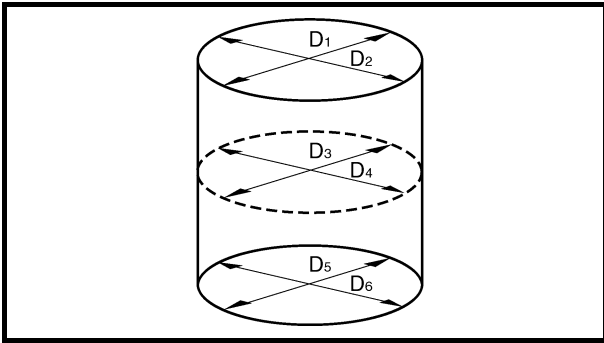
1.Check:

- Exhaust side timing chain guide
Wear/damage → Replace.

CHECKING THE CYLINDER AND PISTON

1.Check:

- Cylinder and piston walls
Vertical scratches → Rebore or replace the cylinder and the piston.
- Cylinder water jacket
Mineral deposits/rust → Eliminate.



2.Measure:

- Piston-to-cylinder clearance

Measurement steps:

1st step:

- Measure the cylinder bore “C” with the cylinder bore gauge.

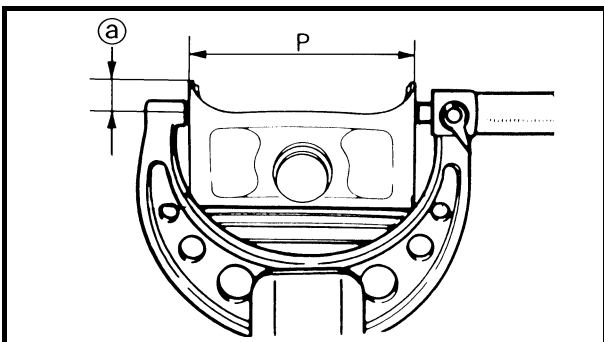
NOTE:

Measure cylinder bore “C” by taking side-to-side and front-to-back measurements of the cylinder. Then, find the average of the measurements.

Cylinder bore “C”	84.500 ~ 84.510 mm (3.3268 ~ 3.3272 in)
Max. taper “T”	0.05 mm (0.0016 in)
Out of round “R”	0.01 mm (0.0004 in)

“C” = maximum of D₁ ~ D₆
“T” = maximum of D₁, or D₂ – maximum of D₅ or D₆
“R” = maximum of D₁, D₃ or D₅ – minimum of D₂, D₄ or D₆


- If out of specification, replace the cylinder, and the piston and piston rings as a set.



2nd step:

- Measure piston skirt diameter “P” with a micrometer.

ⓐ 5.0 mm (0.20 in) from the piston bottom edge

	Piston skirt diameter “P”
Standard	84.445 ~ 84.460 mm (3.3246 ~ 3.3252 in)

- If out of specification, replace the piston and piston rings as a set.



3rd step:

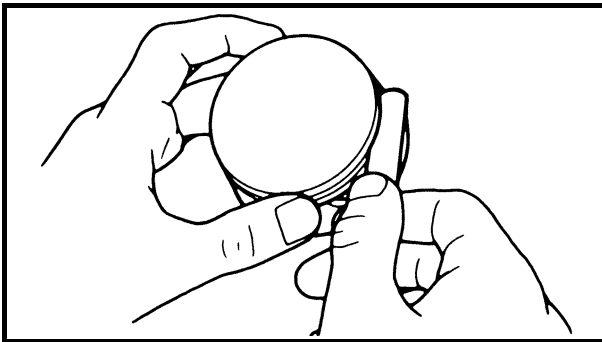
- Find the piston-to-cylinder clearance with the following formula.

$$\text{Piston-to-cylinder clearance} = \text{Cylinder bore "C"} - \text{Piston skirt diameter "P"}$$



Piston-to-cylinder clearance:
 0.040 ~ 0.065 mm
 (0.0016 ~ 0.0026 in)
 <Limit>: 0.150 mm (0.0059 in)

- If out of specification, rebore or replace the cylinder, and replace the piston and piston rings as a set.



CHECKING THE PISTON RINGS

1.Measure:

- Piston ring side clearance
 Use a feeler gauge.
 Out of specification → Replace the piston and rings as a set.

NOTE:

Clean carbon from the piston ring grooves and rings before measuring the side clearance.

	Side clearance	
	Standard	Limit
Top ring	0.03 ~ 0.08 mm (0.0012 ~ 0.0031 in)	0.13 mm (0.0051 in)
2nd ring	0.03 ~ 0.07 mm (0.0012 ~ 0.0028 in)	0.13 mm (0.0051 in)

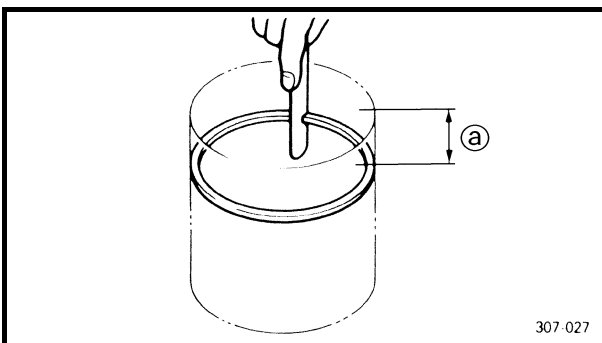
2.Position:

- Piston ring
 (in cylinder)

NOTE:

Insert a ring into the cylinder and push it approximately 40 mm (1.6 in) into the cylinder. Push the ring with the piston crown so that the ring will be at a right angle to the cylinder bore.

① 40 mm (1.6 in)



307-027



3.Measure:

- Ring end gap
Out of specification → Replace.

NOTE:

You cannot measure the end gap on the expander spacer of the oil control ring. If the oil control ring rails show excessive gap, replace all three rings.

	End gap	
	Standard	Limit
Top ring	0.20 ~ 0.40 mm (0.0079 ~ 0.0157 in)	0.65 mm (0.0256 in)
2nd ring	0.40 ~ 0.60 mm (0.0157 ~ 0.0236 in)	0.95 mm (0.0374 in)
Oil ring	0.2 ~ 0.7 mm (0.0079 ~ 0.0276 in)	—

CHECKING THE PISTON PIN

1.Check:

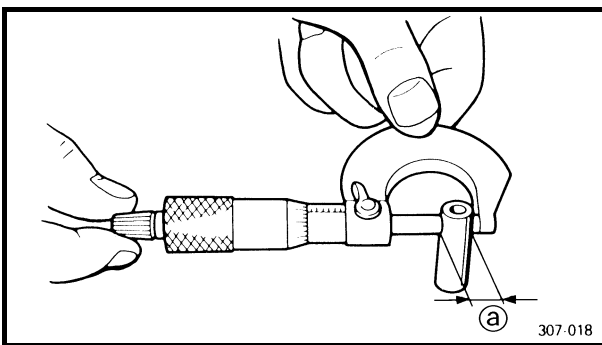
- Piston pin
Blue discoloration/grooves → Replace, then check the lubrication system.

2.Measure:

- Piston pin-to-piston clearance

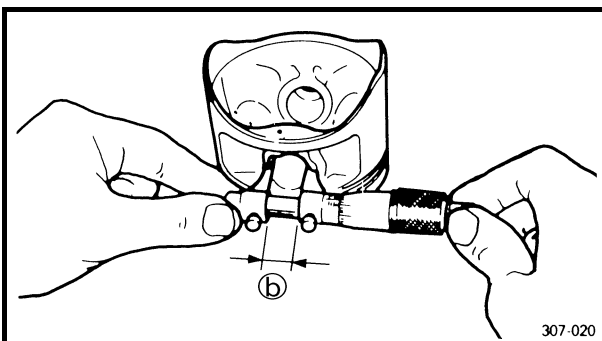
Measurement steps:

- Measure the piston pin outside diameter (a).
If out of specification, replace the piston pin.



	Outside diameter (piston pin): 19.991 ~ 20.000 mm (0.7870 ~ 0.7874 in) <Limit>: 19.971 mm (0.7863 in)
--	---

- Measure the piston inside diameter (b).



	Piston pin bore inside diameter: 20.004 ~ 20.015 mm (0.7876 ~ 0.7880 in) <Limit>: 20.045 mm (0.7892 in)
--	---

- Calculate the piston pin-to-piston clearance with the following formula.

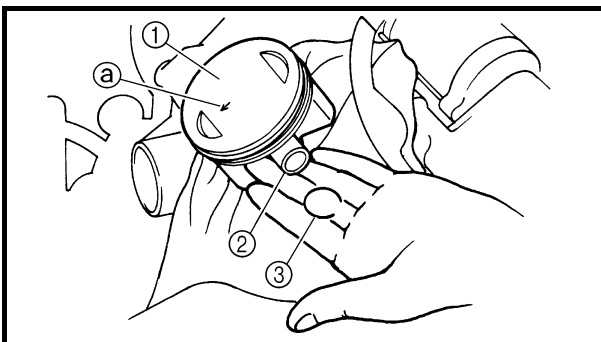
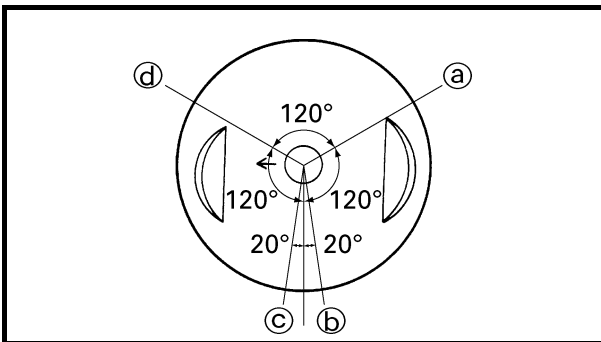
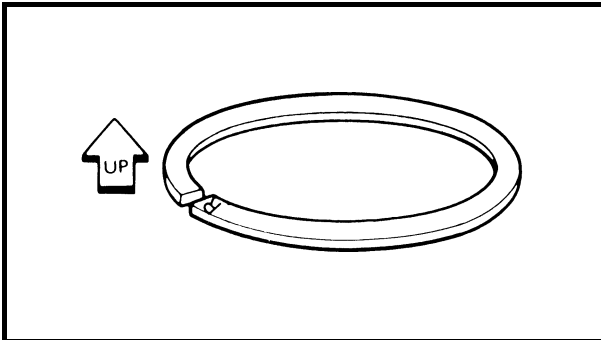
<p>Piston pin-to-piston clearance = Bore size (piston pin) (b) – Outside diameter (piston pin) (a)</p>



- If out of specification, replace the piston.



Piston pin-to-piston clearance:
0.004 ~ 0.024 mm
(0.00016 ~ 0.00094 in)
<Limit>: 0.074 mm (0.0029 in)



INSTALLING THE PISTON

1.Install:

- Piston rings
 (onto the piston)

NOTE:

- Be sure to install the piston rings so that the manufacturer's marks or numbers are located on the upper side of the rings.
- Lubricate the piston and piston rings liberally with engine oil.

2.Position:

- Top ring
 - 2nd ring
 - Oil ring
- Offset the piston ring end gaps as shown.

- Ⓐ Top ring end
- Ⓑ Oil ring end (upper)
- Ⓒ Oil ring end (lower)
- Ⓓ 2nd ring end

3.Install:

- Piston ①
- Piston pin ②
- Piston pin clips ③ **New**

NOTE:

- Apply engine oil onto the piston pin, piston ring and piston.
- Be sure that the arrow mark Ⓐ on the piston points to the exhaust side of the engine.
- Before installing the piston pin clips, cover the crankcase with a clean rag to prevent the piston pin clips from falling into the crankcase.

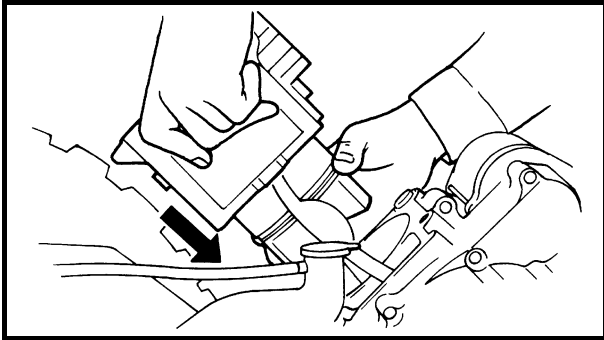


4. Lubricate:

- Piston
- Piston rings
- Cylinder

NOTE: _____

Apply a liberal coating of engine oil.



INSTALLING THE CYLINDER

1. Install:

- Cylinder

NOTE: _____

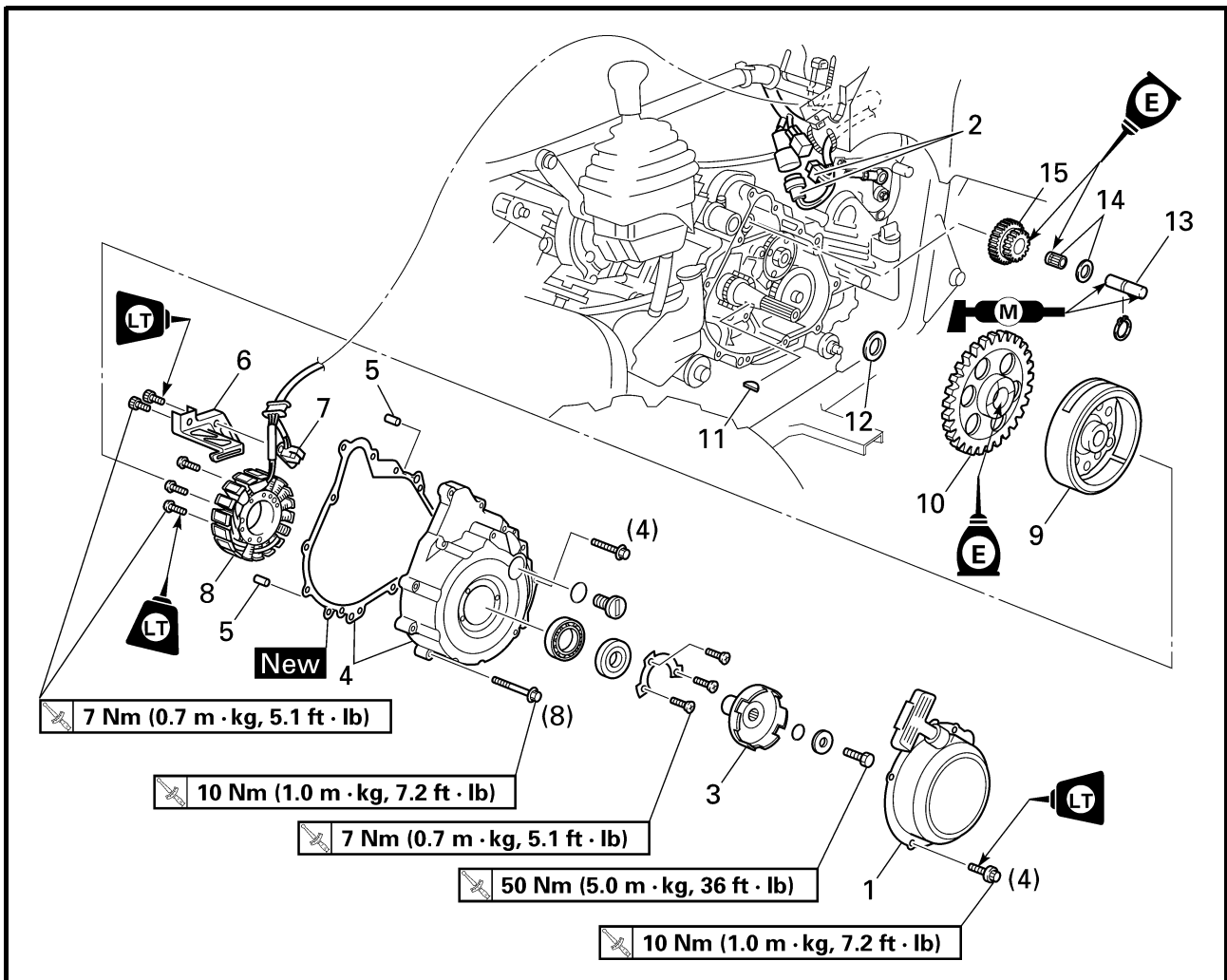
Install the cylinder with one hand while compressing the piston rings with the other hand.

CAUTION: _____

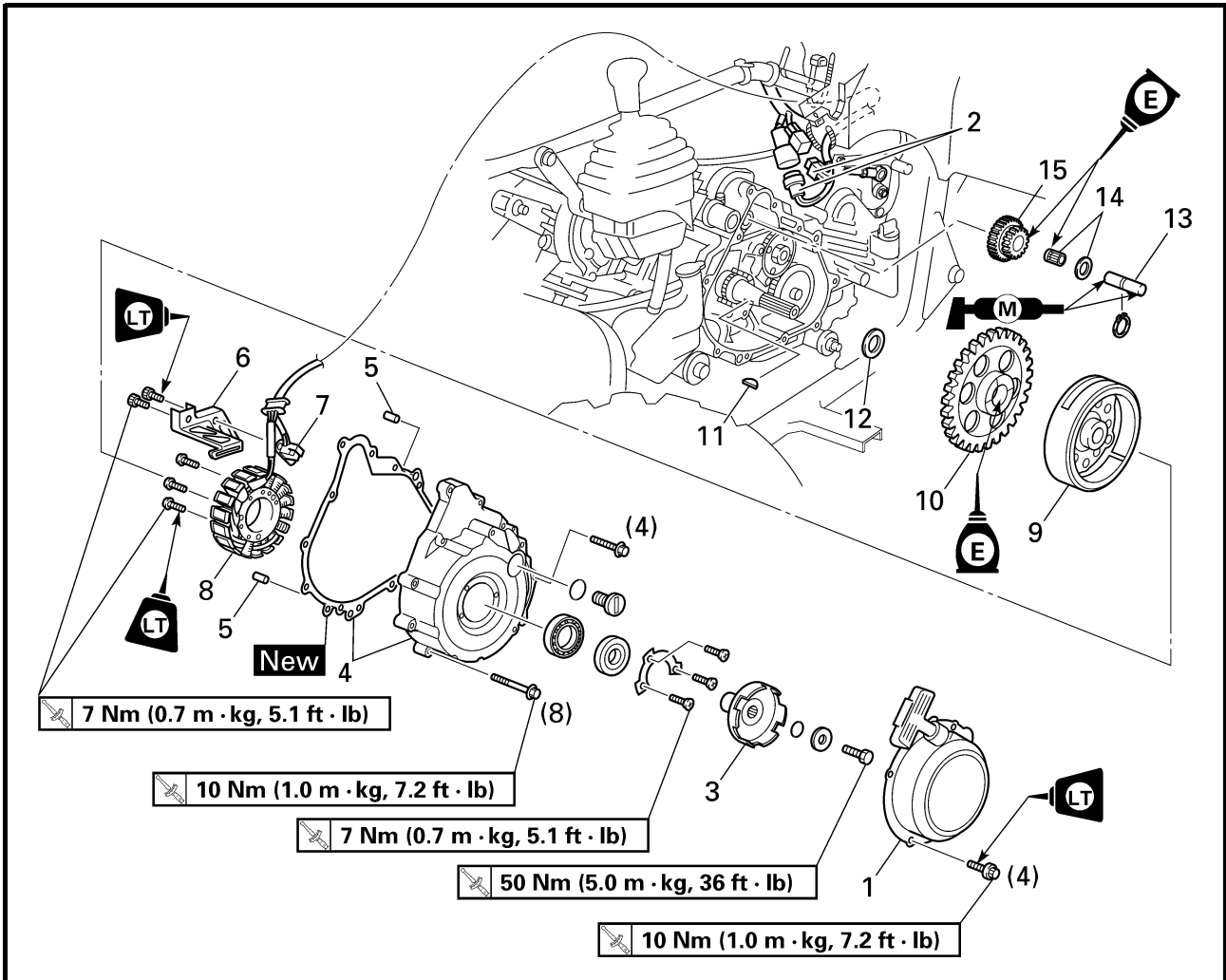
- Be careful not to damage the timing chain damper during installation.
 - Pass the timing chain through the timing chain cavity.
-



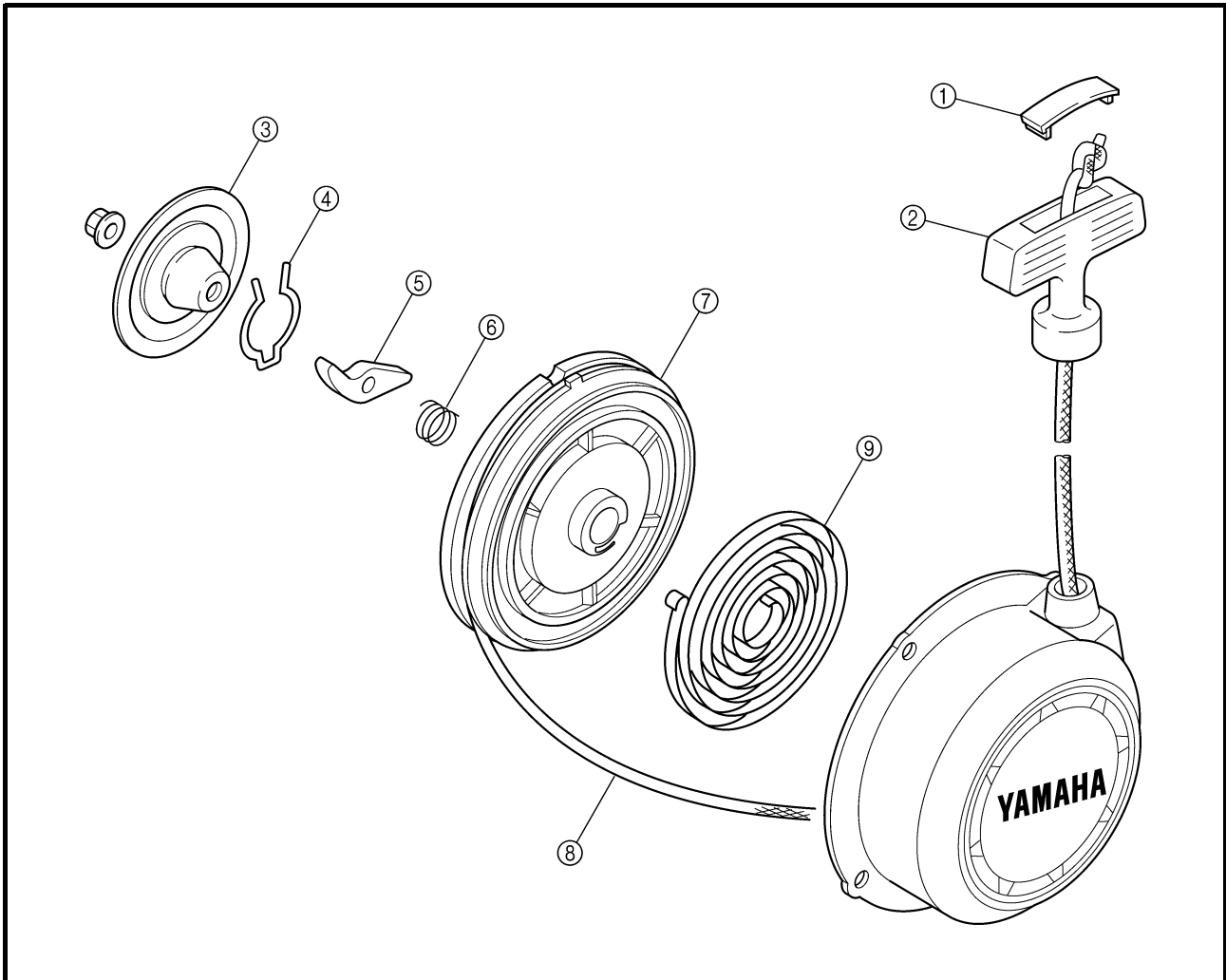
RECOIL STARTER AND A.C. MAGNETO



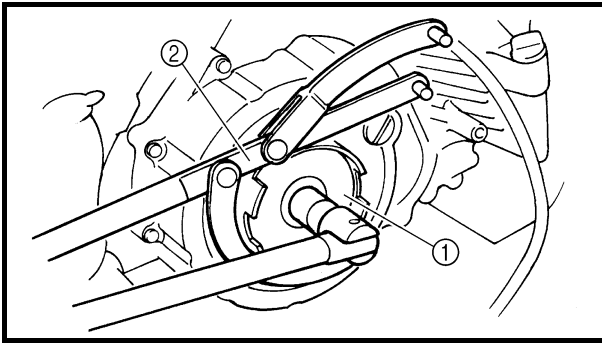
Order	Job name/Part name	Q'ty	Remarks
	Removing the A.C. magneto		Remove the parts in the order below.
	Engine oil		Drain. Refer to "CHANGING THE ENGINE OIL" in CHAPTER 3.
	Seat and side panels		Refer to "SEAT AND SIDE PANELS" in CHAPTER 3.
	Left footrest board		Refer to "FOOTREST BOARDS" in CHAPTER 3.
1	Recoil starter assembly	1	Refer to "REMOVING/INSTALLING THE A.C. MAGNETO".
2	A.C. magneto coupler	2	
3	Starter pulley	1	
4	Crankcase cover (left)/gasket	1/1	
5	Dowel pin	2	
6	Lead holder	1	



Order	Job name/Part name	Q'ty	Remarks
7	Pickup coil	1	Refer to "REMOVING/INSTALLING THE A.C. MAGNETO". For installation, reverse the removal procedure.
8	Stator assembly	1	
9	Rotor	1	
10	Starter wheel gear	1	
11	Woodruff key	1	
12	Washer	1	
13	Starter idle gear shaft	1	
14	Washer/bearing	1/1	
15	Starter idle gear	1	



Order	Job name/Part name	Q'ty	Remarks
	Disassembling the recoil starter		Remove the parts in the order below.
①	Cap	1	Refer to "DISASSEMBLING/ ASSEMBLING THE RECOIL STARTER".
②	Starter handle	1	
③	Friction plate	1	
④	Pawl spring	1	
⑤	Drive pawl	1	
⑥	Spring	1	
⑦	Sheave drum	1	
⑧	Rope	1	
⑨	Coil spring	1	
			For assembly, reverse the disassembly procedure.



REMOVING THE A.C. MAGNETO

1.Remove:

- Starter pulley ①

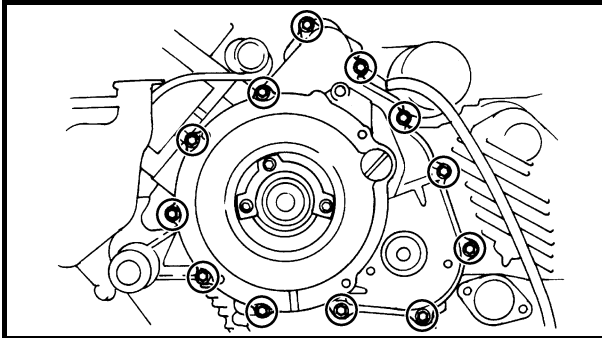
NOTE: _____

Use the rotor holding tool ② to hold the starter pulley.



Rotor holding tool:

P/N. YU-01235, 90890-01235

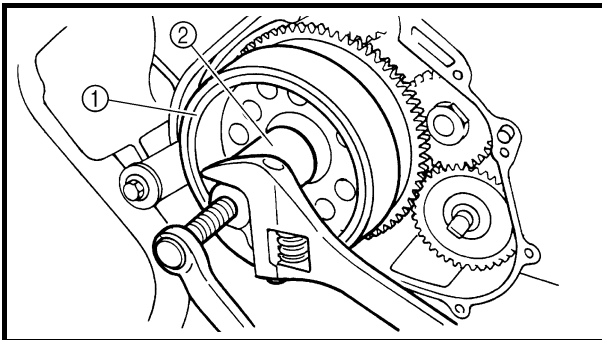


2.Remove:

- Crankcase cover (left)
- Gasket
- Dowel pins

NOTE: _____

Working in a crisscross pattern, loosen each bolt 1/4 of a turn. Remove them after all of them are loosened.



3.Remove:

- Rotor ①

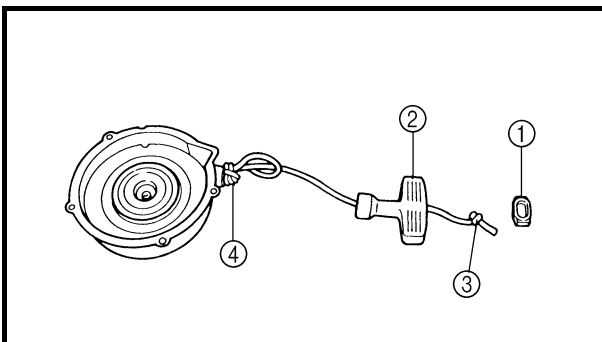
NOTE: _____

Use the flywheel puller ②.



Flywheel puller:

P/N. YM-01404, 90890-01404



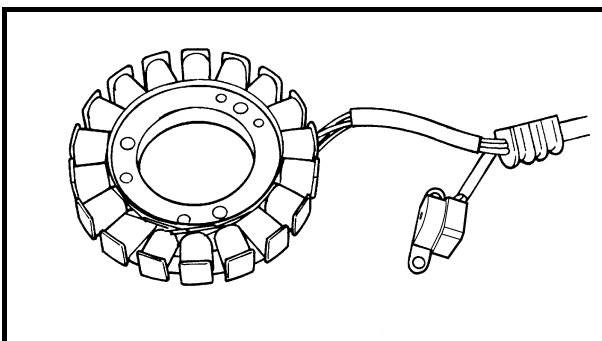
DISASSEMBLING THE RECOIL STARTER

1.Remove:

- Cap ①
- Starter handle ②

NOTE: _____

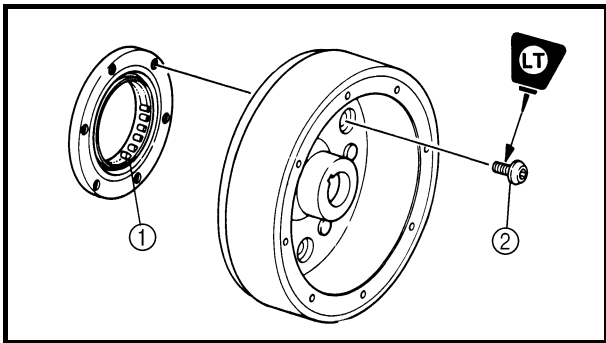
Before untying the knot ③ above the starter handle, make a knot ④ in the rope so that the rope is not pulled into the case.



CHECKING THE A.C. MAGNETO

1.Check:

- Stator assembly
 - Pickup coil
- Damage → Replace.



CHECKING THE STARTER CLUTCH

1.Check:

- Starter one-way clutch ①
Cracks/damage → Replace.
- Bolts ② (starter clutch)
Loose → Replace with a new one, and clinch the end of the bolt.

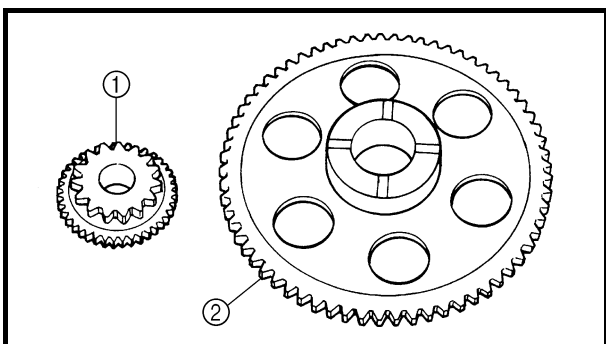
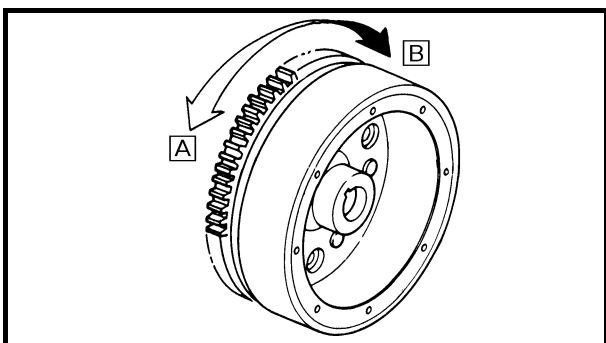
NOTE:

The arrow mark on the starter clutch must face inward, away from the rotor.

	<p>Bolts (starter clutch): 30 Nm (3.0 m • kg, 22 ft • lb) LOCTITE®</p>
---	---

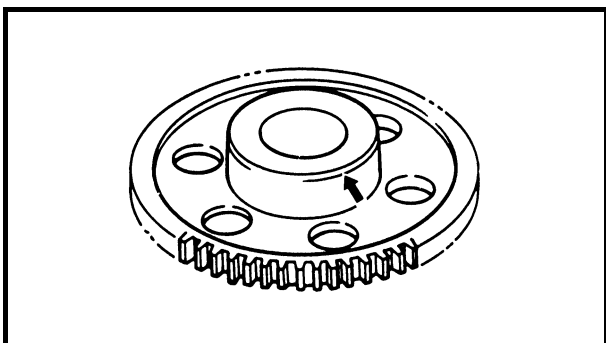
Checking steps:

- Install the starter wheel gear to the starter clutch, and hold the starter clutch.
- When turning the starter wheel gear counterclockwise [A], the starter clutch and the wheel gear should be engaged.
If not, the starter clutch is faulty. Replace it.
- When turning the starter wheel gear clockwise [B], the starter wheel gear should turn freely.
If not, the starter clutch is faulty. Replace it.



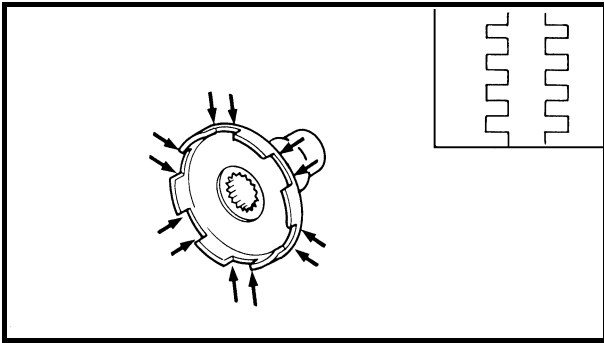
2.Check:

- Gear teeth (starter idle) ①
- Gear teeth (starter wheel) ②
Burrs/chips/roughness/wear → Replace.



3.Check:

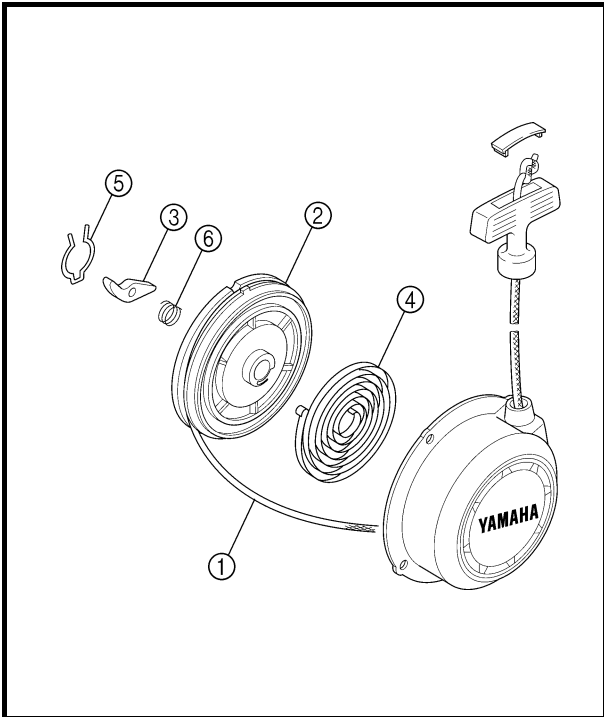
- Starter wheel gear
(contacting surface)
Damage/pitting/wear → Replace.



CHECKING THE STARTER PULLEY

1. Check:

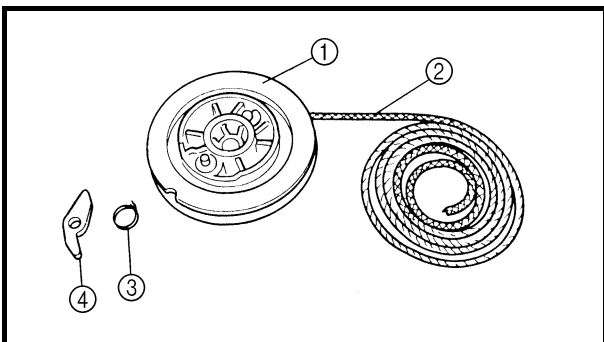
- Starter pulley
Cracks/pitting → Deburr or replace.



CHECKING THE RECOIL STARTER

1. Check:

- Rope ①
- Sheave drum ②
- Drive pawl ③
Wear/damage → Replace.
- Coil spring ④
- Pawl spring ⑤
- Spring ⑥
Fatigue → Replace.



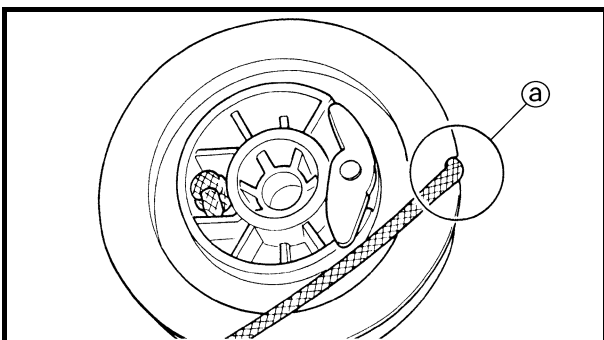
ASSEMBLING THE RECOIL STARTER

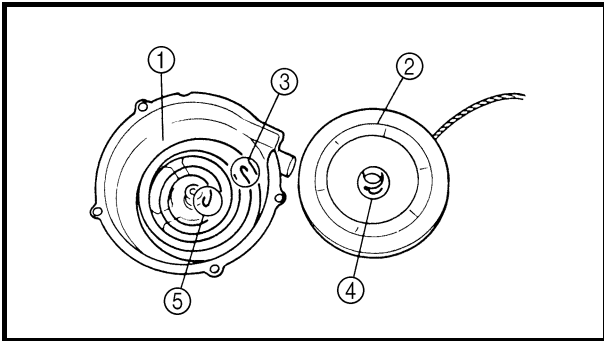
1. Install:

- Sheave drum ①
- Rope ②
- Pawl spring ③
- Drive pawl ④

NOTE:

Wind the rope 4-1/2 turns clockwise around the sheave drum. Then insert the rope into the drum slit (a).



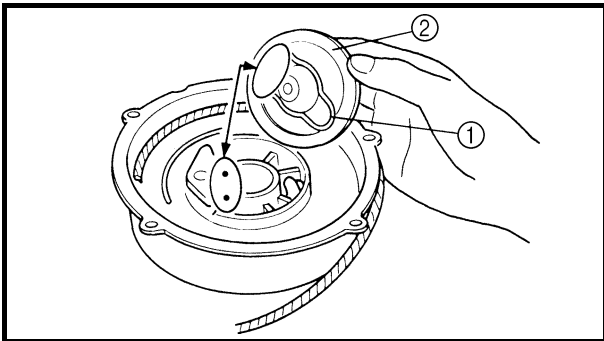


2.Install:

- Starter spring ①
- Sheave drum assembly ②

NOTE:

- Mesh the spring hook ③ with the case slit, then wind the spring clockwise into the case from the larger to smaller diameter.
- Mesh the sheave drum hook ④ with the spring hook ⑤.

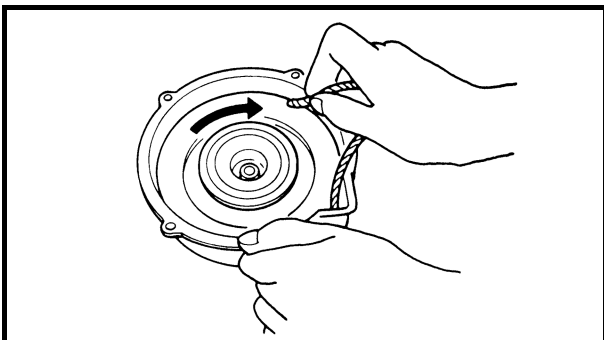


3.Install:

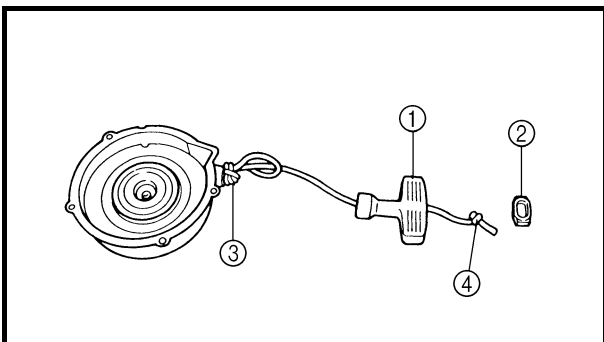
- Spring ①
- Friction plate ②
- Nut

NOTE:

Insert the spring hooks into the pawl side holes.



4.Turn the sheave drum 3-turn clockwise to give preload to the spring.



5.Install:

- Starter handle ①
- Cap ②

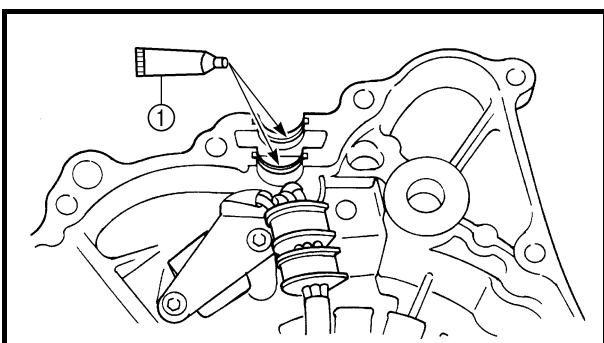
NOTE:

- Pass the rope through the case hole and make a knot ③ on the rope so that the rope is not pulled into the case.
- Untie the knot ③ after making a knot ④ above the handle.

INSTALLING THE A.C. MAGNETO

1.Apply:

- Sealant (Quick Gasket®) ① (into the slit)



Sealant (Quick Gasket®):
P/N. ACC-11001-05-01
Yamaha bond No. 1215:
P/N. 90890-85505

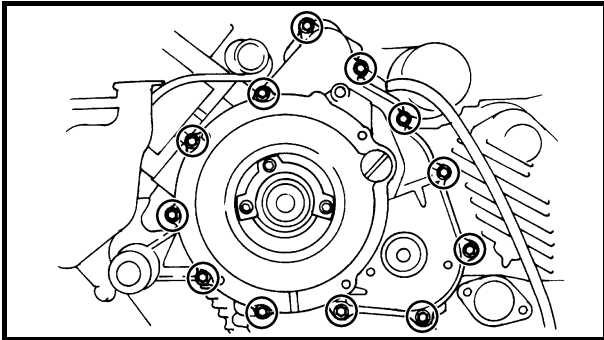


2. Install:

- Woodruff key
- Rotor

NOTE:

- Before installing the rotor, clean the outside of the crankshaft and the inside of the rotor.
- After installing the rotor, check that the rotor rotates smoothly. If not, reinstall the key and rotor.



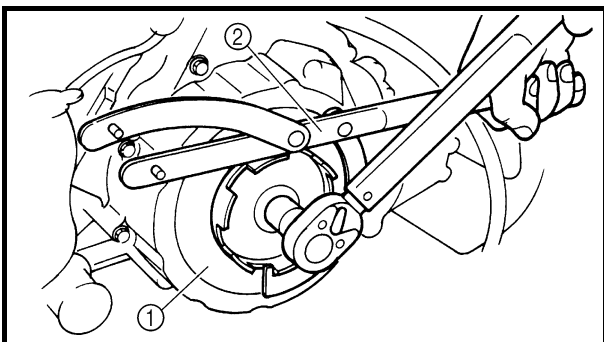
3. Install:

- Dowel pins
- Gasket **New**
- Crankcase cover (left)

10 Nm (1.0 m • kg, 7.2 ft • lb)

NOTE:

- When installing the crankcase cover (left), use a long rod to hold the rotor in position from the outside. This will make assembly easier. Be careful not to damage the oil seal.
- Tighten the bolts in stages, using a crisscross pattern.



4. Install:

- Starter pulley ①

50 Nm (5.0 m • kg, 36 ft • lb)

NOTE:

Use a rotor holding tool ② to hold the starter pulley.

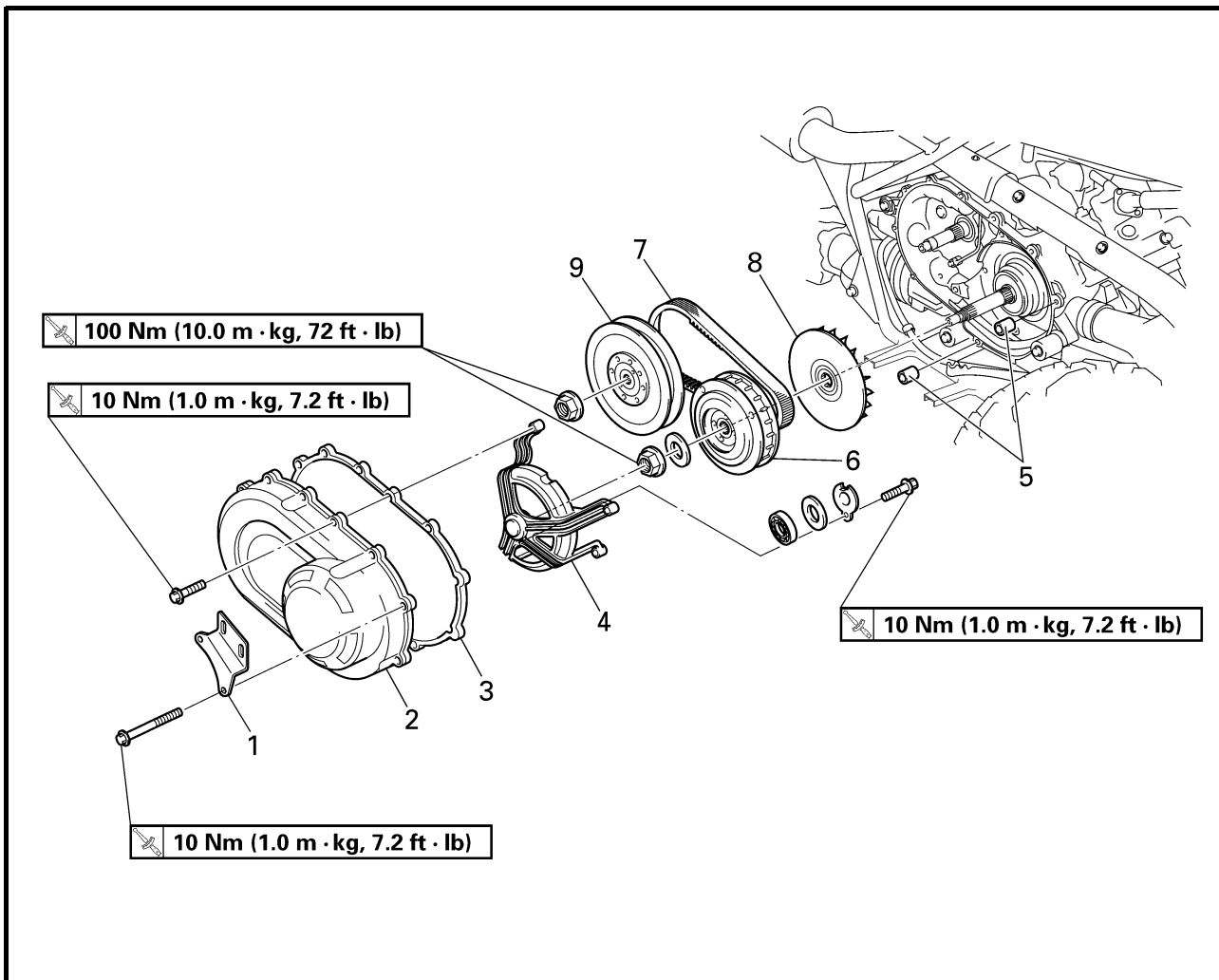


Rotor holding tool:
P/N. YU-01235, 90890-01235

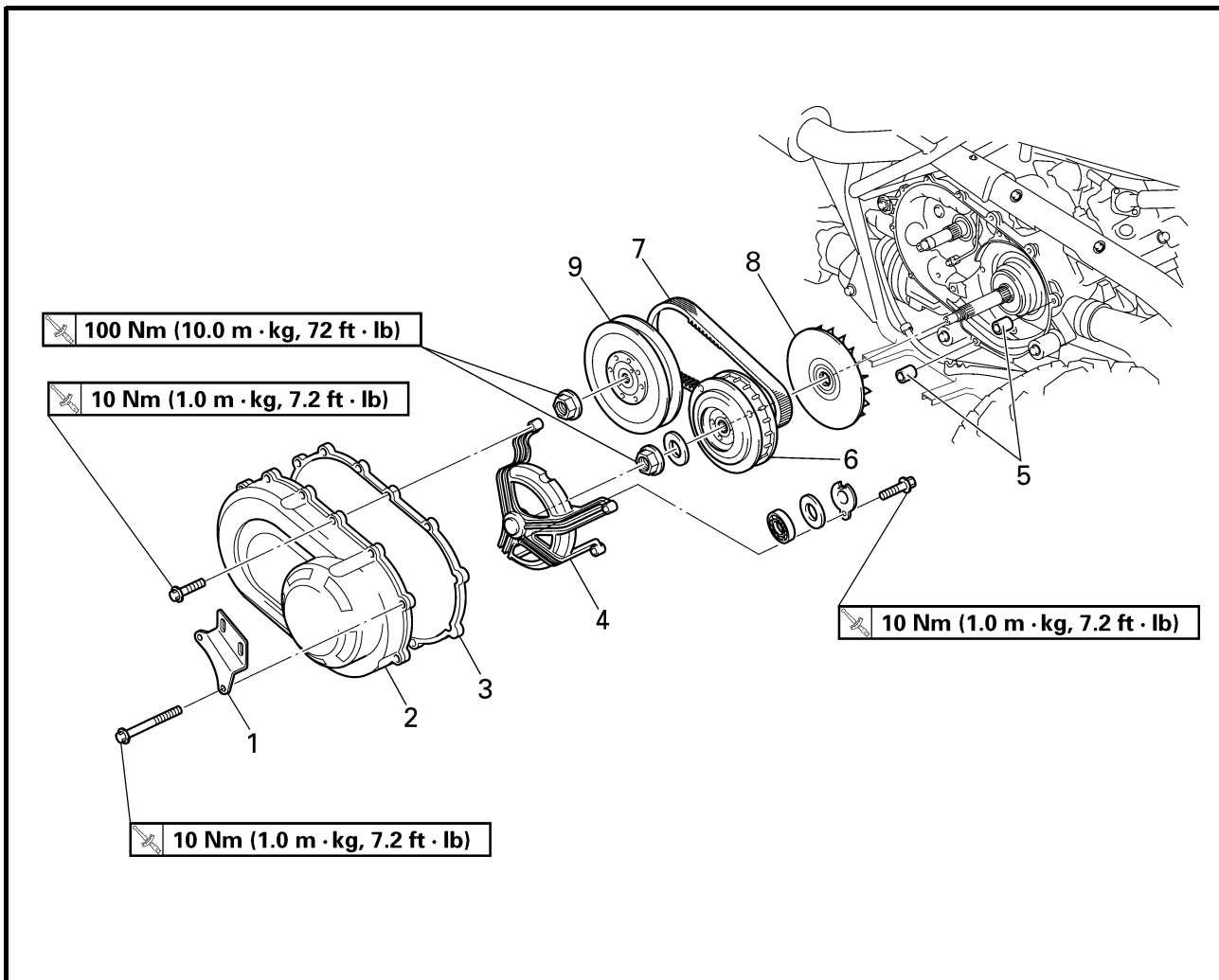
NOTE:

Before installing the starter pulley, do not forget to install the O-ring.

PRIMARY AND SECONDARY SHEAVES



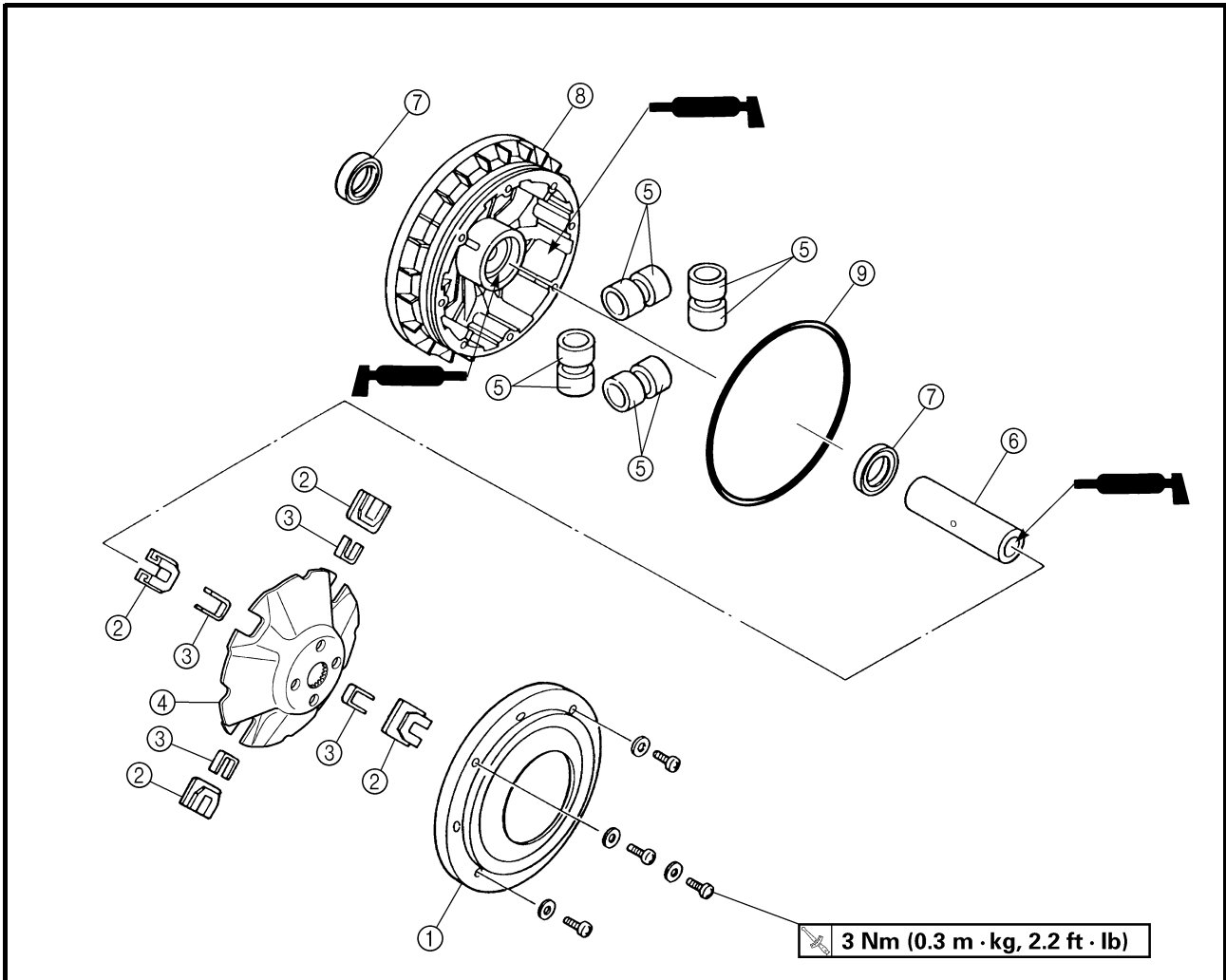
Order	Job name/Part name	Q'ty	Remarks
	Removing the primary and secondary sheaves		Remove the parts in the order below.
	Front fender		Refer to "SEAT, CARRIERS, FENDERS AND FUEL TANK" in CHAPTER 3.
	Rear fender		
	Right footrest board		
			Refer to "FOOTREST BOARDS" in CHAPTER 3.
1	Exhaust pipe bracket	1	
2	Drive belt cover	1	
3	Rubber gasket	1	
4	Bearing housing	1	
5	Dowel pin	2	
6	Primary sliding sheave assembly	1	Refer to "REMOVING/INSTALLING THE PRIMARY AND SECONDARY SHEAVES".
7	V-belt	1	



Order	Job name/Part name	Q'ty	Remarks
8	Primary fixed sheave	1	Refer to "REMOVING/INSTALLING THE PRIMARY AND SECONDARY SHEAVES". For installation, reverse the removal procedure.
9	Secondary sheave assembly	1	



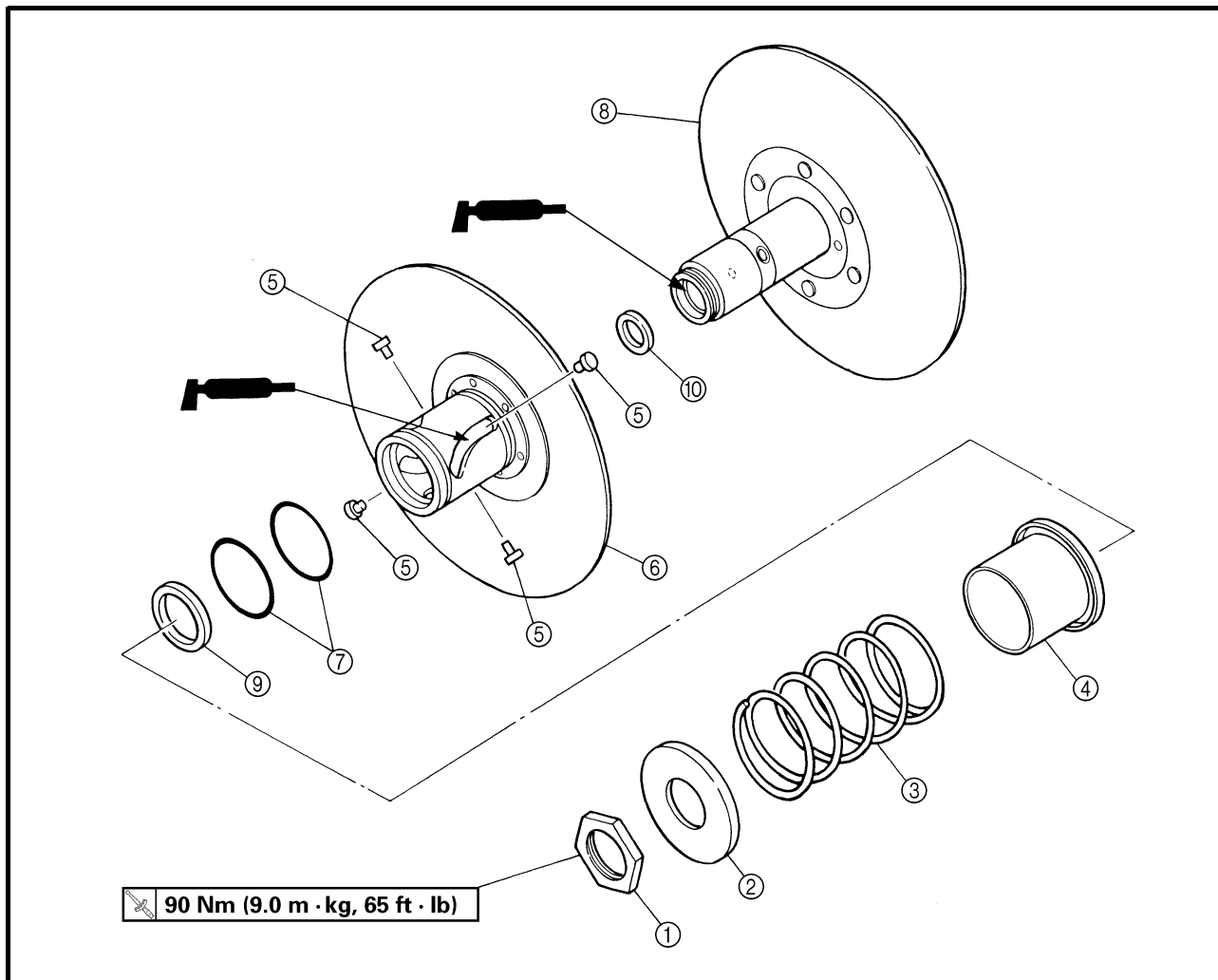
PRIMARY SLIDING SHEAVE



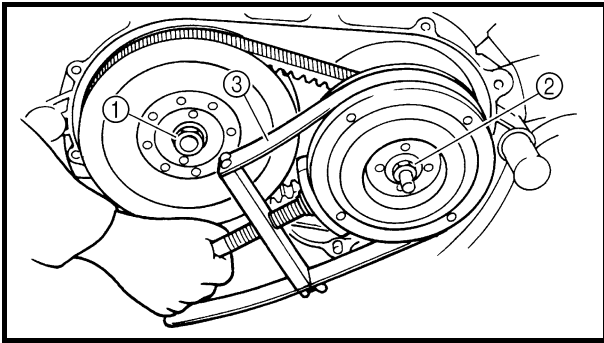
Order	Job name/Part name	Q'ty	Remarks
	Disassembling the primary sliding sheave		Remove the parts in the order below.
①	Primary sliding sheave cap	1	Refer to "ASSEMBLING THE PRIMARY SHEAVE".
②	Primary pulley slider	4	
③	Spacer	4	
④	Primary pulley cam	1	
⑤	Primary pulley weight	8	
⑥	Collar	1	
⑦	Oil seal	2	
⑧	Primary sliding sheave	1	
⑨	O-ring	1	
			For assembly, reverse the disassembly procedure.



SECONDARY SHEAVE



Order	Job name/Part name	Q'ty	Remarks
	Disassembling the secondary sheave		Remove the parts in the order below.
①	Nut	1	Refer to "DISASSEMBLING/ ASSEMBLING THE SECONDARY SHEAVE".
②	Spring seat	1	
③	Compression spring	1	
④	Spring seat	1	
⑤	Guide pin	4	
⑥	Secondary sliding sheave	1	
⑦	O-ring	2	
⑧	Secondary fixed sheave	1	
⑨	Oil seal	1	
⑩	Oil seal	1	
			For assembly, reverse the disassembly procedure.



REMOVING THE PRIMARY AND SECONDARY SHEAVES

1. Loosen:

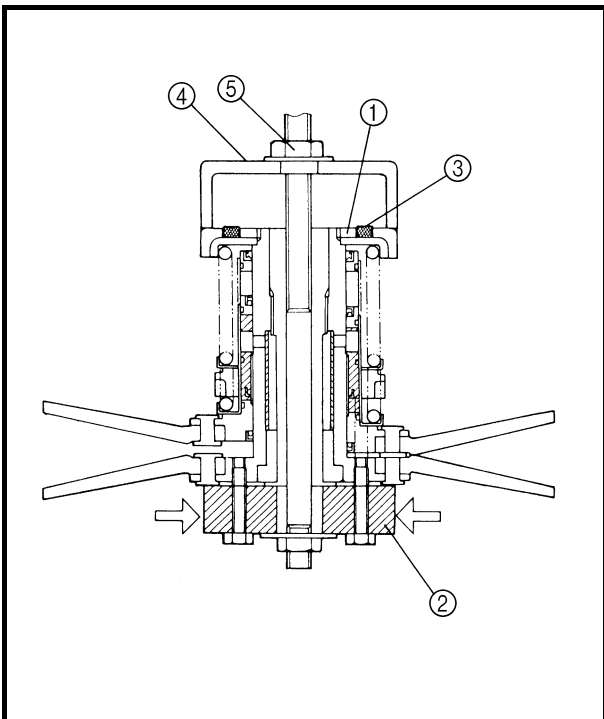
- Nut (secondary sheave) ①
- Nut (primary sheave) ②

NOTE:

- Use the sheave holder ③ to hold the primary sheave.
- First, loosen the nut (secondary sheave) ②, then loosen the nut (primary sheave) ①.



Sheave holder:
P/N. YS-01880-A, 90890-01701



DISASSEMBLING THE SECONDARY SHEAVE

1. Remove:

- Nut ①

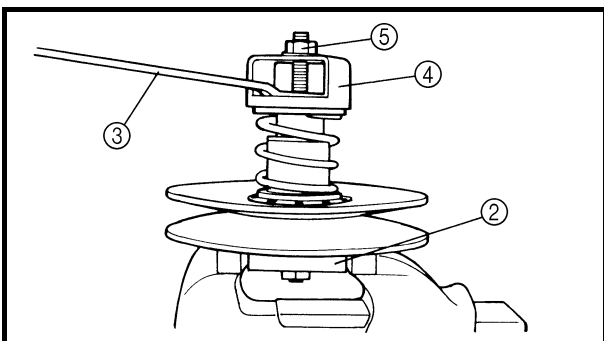
Removing steps:

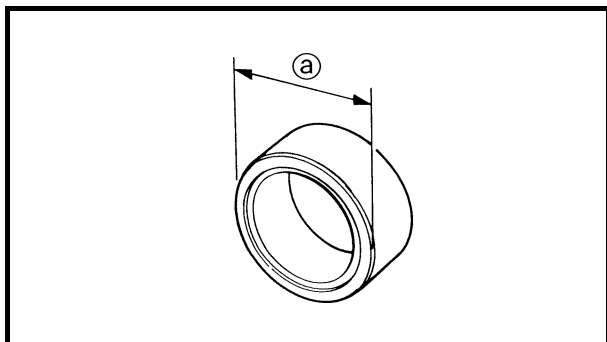
- Attach the sheave fixed block ②, locknut wrench ③ and sheave spring compressor ④ to the secondary sheave assembly.



Sheave fixed block:
P/N. YM-04135, 90890-04135
Locknut wrench:
P/N. YM-01348, 90890-01348
Sheave spring compressor:
P/N. YM-04134, 90890-04134

- Place the sheave fixed block in a vise and secure it.
- Tighten the sheave spring compressor nut ⑤ and compress the spring.
- Loosen the nut ① with the locknut wrench ③.
- Remove the nut ①.
- Remove the sheave spring compressor and locknut wrench.





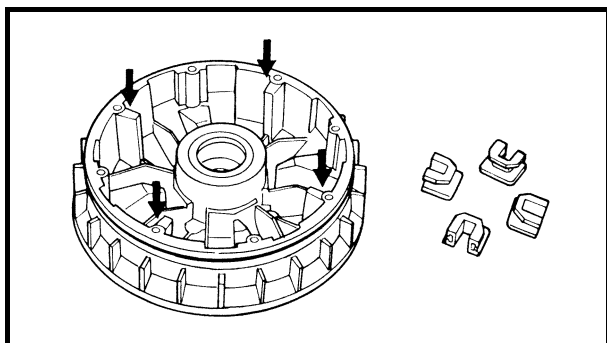
CHECKING THE PRIMARY SHEAVE

1.Check:

- Weight outside diameter Ⓐ
Out of specification → Replace the weight.

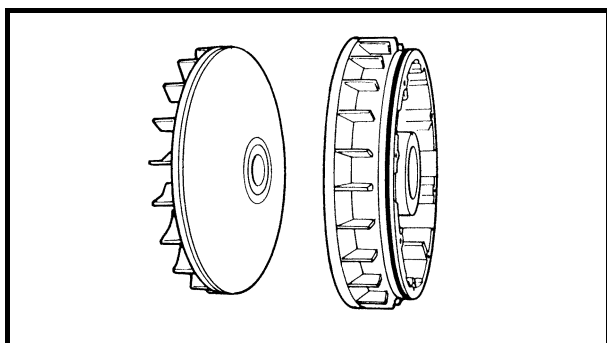


Weight outside diameter:
30 mm (1.18 in)
<Limit>: 29.5 mm (1.16 in)



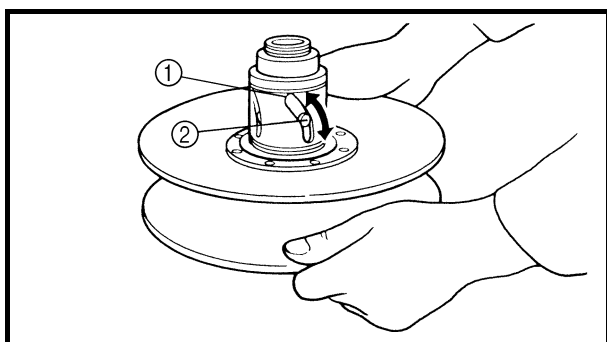
2.Check:

- Primary pulley sliders
- Primary sliding sheave splines
Wear/cracks/damage → Replace.
- Spacers
- Primary pulley cam
Cracks/damage → Replace.



3.Check:

- Primary sliding sheave
- Primary fixed sheave
Cracks/damage → Replace.



CHECKING THE SECONDARY SHEAVE

1.Check:

- Secondary fixed sheave smooth operation
- Secondary sliding sheave smooth operation
Scratches/damage → Replace as a set.

2.Check:

- Torque cam grooves ①
Wear/damage → Replace.

3.Check:

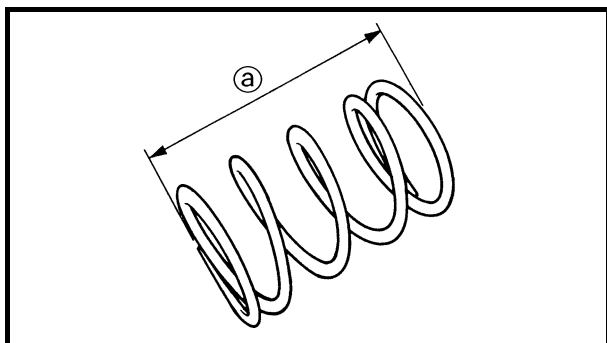
- Guide pins ②
Wear/damage → Replace.

4.Check:

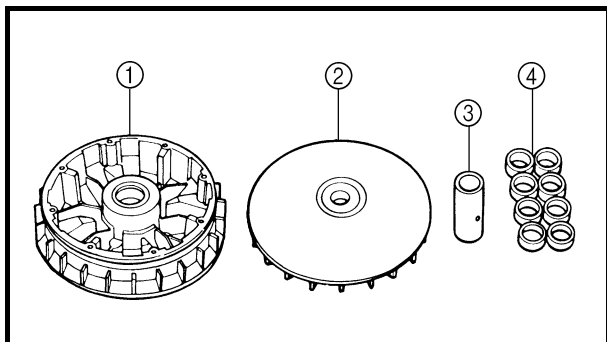
- Secondary sheave spring
Damage → Replace.

5.Measure:

- Secondary sheave spring free length Ⓐ
Out of specification → Replace the secondary sheave spring.



Free length:
121.4 mm (4.78 in)
<Limit>: 115.33 mm (4.54 in)



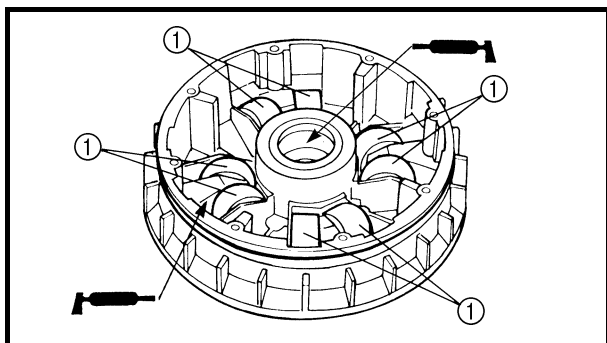
ASSEMBLING THE PRIMARY SHEAVE

1. Clean:

- Primary sliding sheave face ①
- Primary fixed sheave face ②
- Collar ③
- Weights ④
- Primary pulley cam face

NOTE:

Remove any excess grease.

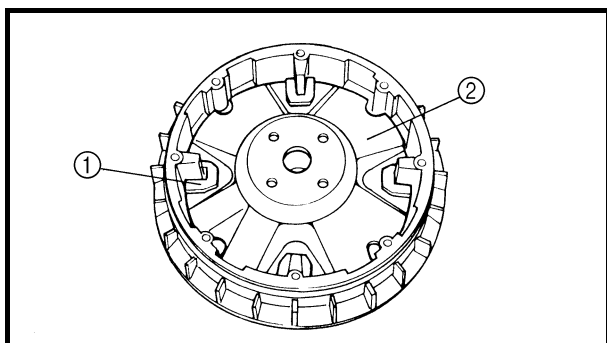


2. Install:

- Weights ①

NOTE:

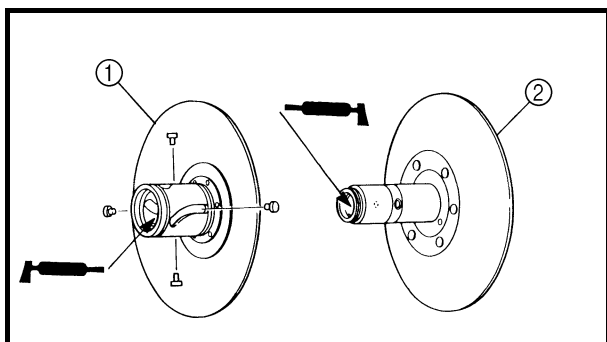
- Apply Yamaha Grizzly grease (120 g) to the whole outer surface of the weights and install.
- Apply Yamaha Grizzly grease to the inner surface of the collar.
- Apply Yamaha Grizzly grease to the inner surface of the primary sliding sheave.



3. Install:

- Spacer
- Sliders ①
- Primary pulley cam ②
- Primary sliding sheave cap

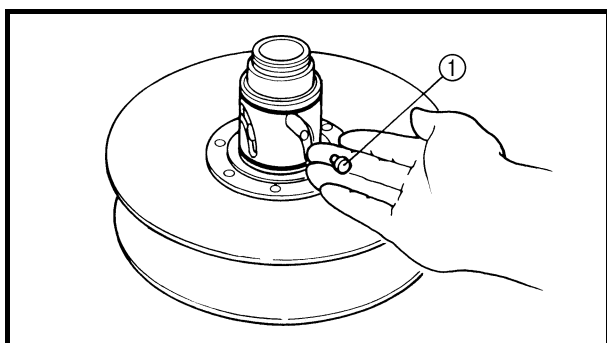
3 Nm (0.3 m • kg, 2.2 ft • lb)



ASSEMBLING THE SECONDARY SHEAVE

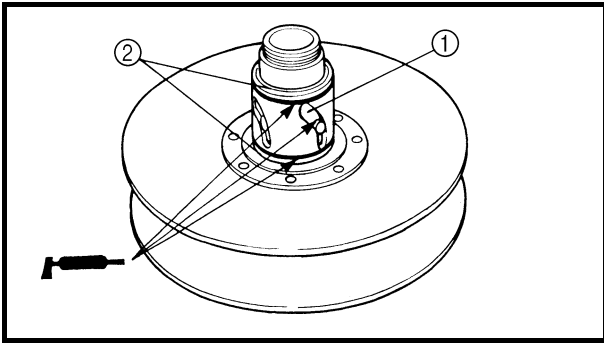
1. Apply:

- BEL-RAY assembly lube® (to the secondary sliding sheave ① inner surface and oil seals)
- BEL-RAY assembly lube® (to the bearings, oil seals and inner surface of the secondary fixed sheave ②)



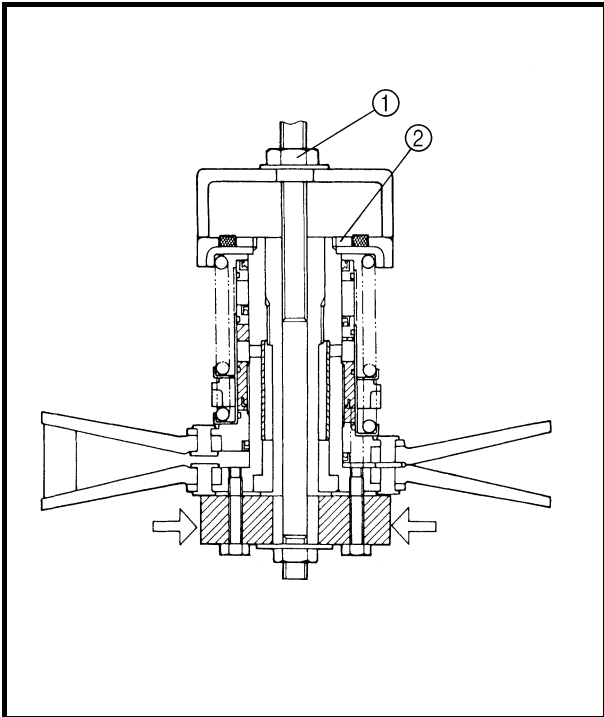
2. Install:

- Guide pins ①



3. Apply:

- BEL-RAY assembly lube®
(to all guide pin sliding grooves ①, and O-rings ② **New**)

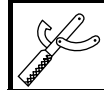


4. Install:

- Spring seat
- Compression spring
- Spring seat
- Nut

Installing steps:

- Attach the sheave fixed block, locknut wrench and sheave spring compressor to the secondary sheave assembly.



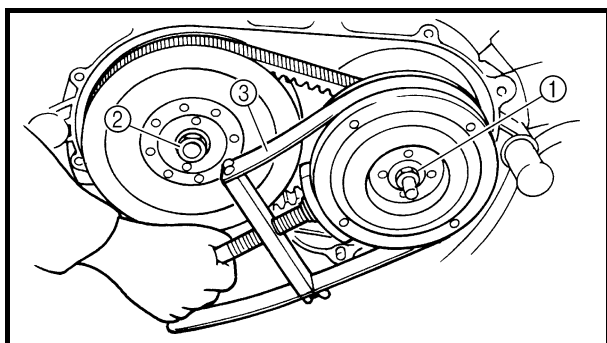
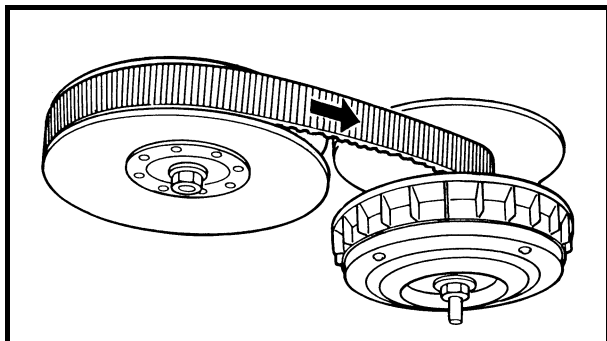
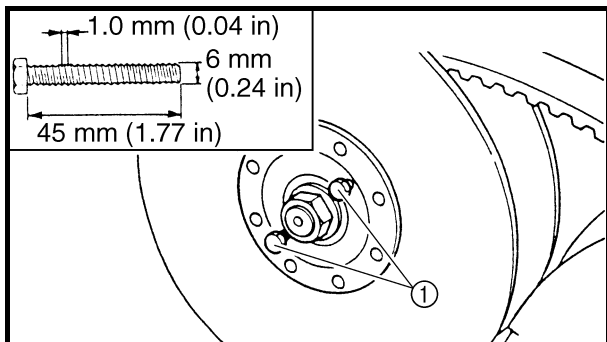
Sheave fixed block:
P/N. YM-04135, 90890-04135
Locknut wrench:
P/N. YM-01348, 90890-01348
Sheave spring compressor:
P/N. YM-04134, 90890-04134

- Place the sheave fixed block in a vise and secure it.
- Tighten the sheave spring compressor nut ① and compress the spring.
- Install the nut ② and tighten it to the specified torque using the locknut wrench.



Nut:
90 Nm (9.0 m • kg, 65 ft • lb)

- Remove the sheave spring compressor, locknut wrench, and sheave fixed block.



INSTALLING THE PRIMARY AND SECONDARY SHEAVES

1. Install:

- Secondary sheave assembly
- V-belt
- Primary sheave assembly

NOTE:

- Tightening the bolts ① will push the secondary sliding sheave away, causing the gap between the secondary fixed and sliding sheaves to widen.
- Install the V-belt so that its arrow faces the direction show in the illustration.

2. Tighten:

- Nut (primary sheave) ①

100 Nm (10.0 m • kg, 72 ft • lb)

- Nut (secondary sheave) ②

100 Nm (10.0 m • kg, 72 ft • lb)

NOTE:

- Use the sheave holder ③ to hold the primary sheave.
- First, tighten the nut (primary sheave) ①, then tighten the nut (secondary sheave) ②.

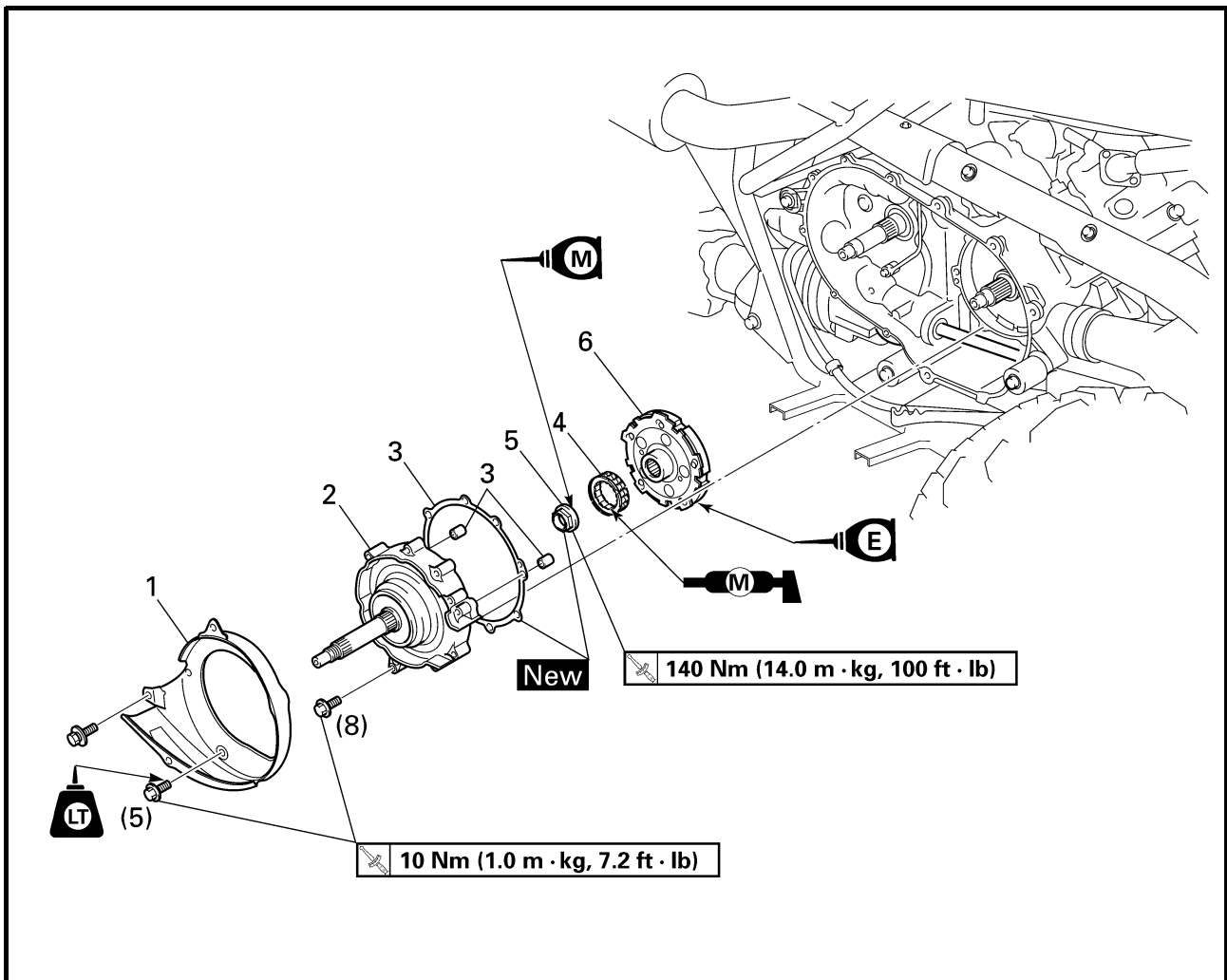


Sheave holder:

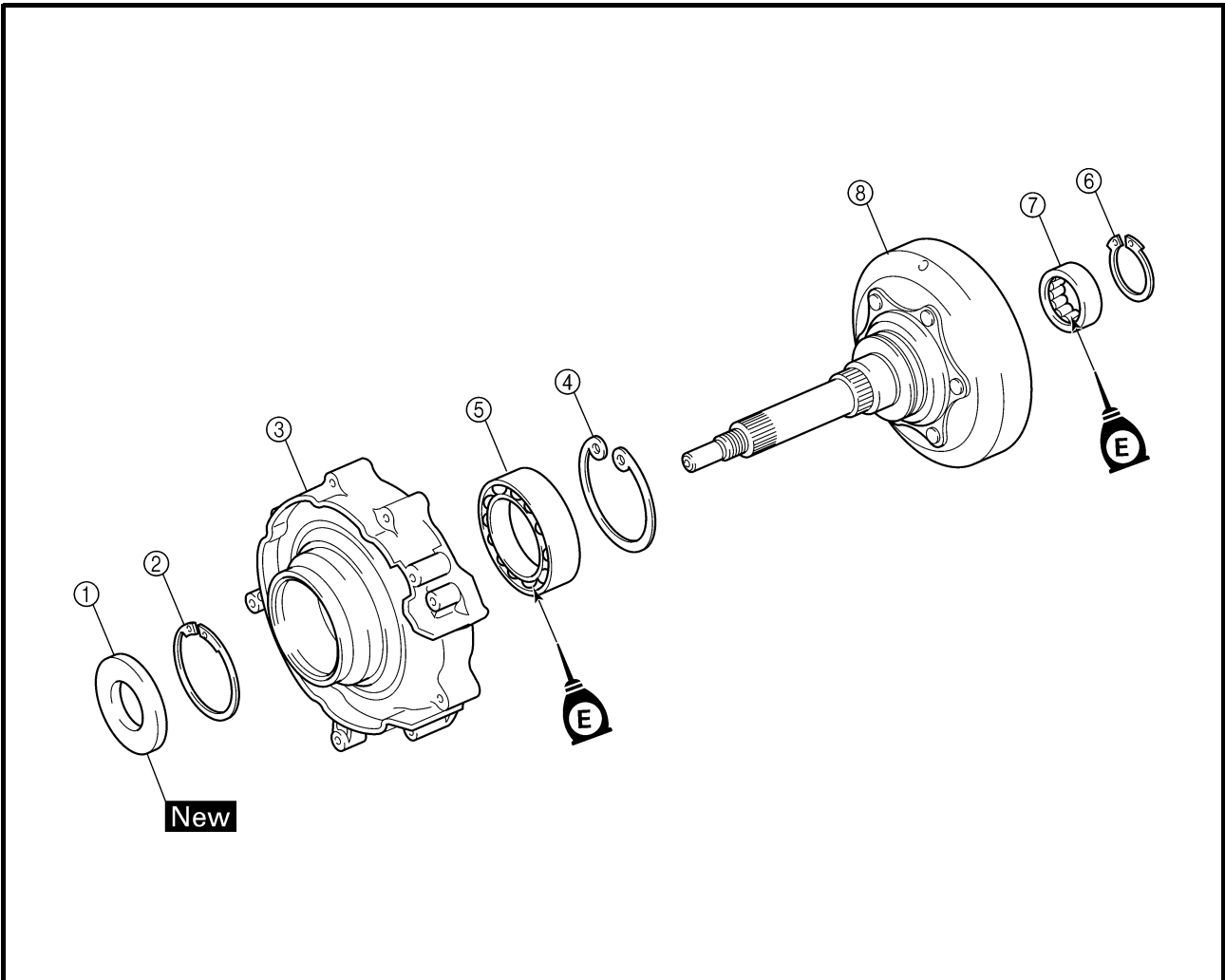
P/N. YS-01880-A, 90890-01701



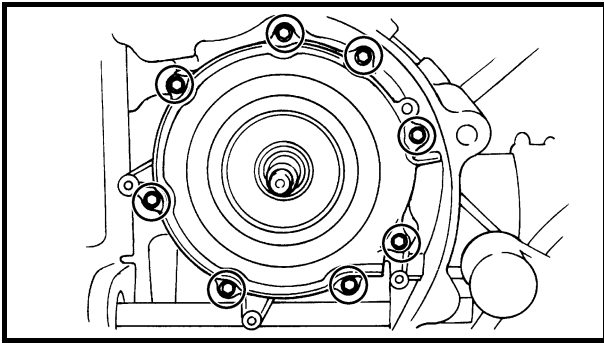
CLUTCH



Order	Job name/Part name	Q'ty	Remarks
	Removing the clutch Primary and secondary sheaves		Remove the parts in the order below. Refer to "PRIMARY AND SECONDARY SHEAVES".
1	Cover	1	Refer to "REMOVING/INSTALLING THE CLUTCH".
2	Clutch housing assembly	1	
3	Gasket/dowel pin	1/2	
4	One-way clutch bearing	1	
5	Nut	1	
6	Clutch carrier assembly	1	
			For installation, reverse the removal procedure.



Order	Job name/Part name	Q'ty	Remarks
	Disassembling the clutch housing		Remove the parts in the order below.
①	Oil seal	1	
②	Circlip	1	
③	Bearing housing	1	
④	Circlip	1	
⑤	Bearing	1	
⑥	Circlip	1	
⑦	Bearing	1	
⑧	Clutch housing	1	
			For assembly, reverse the disassembly procedure.

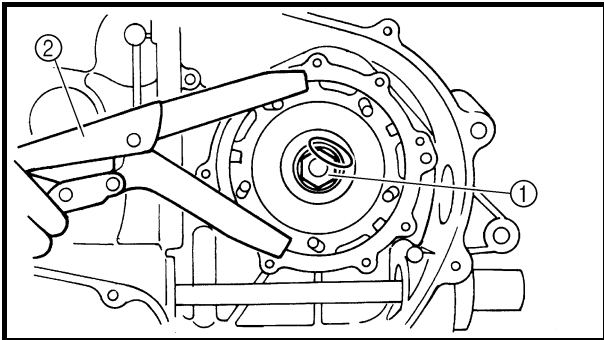


REMOVING THE CLUTCH

- 1.Remove:
- Clutch housing assembly
 - Gasket
 - Dowel pins

NOTE:

Working in crisscross pattern, loosen each bolt 1/4 of a turn. Remove them after all of them are loosened.



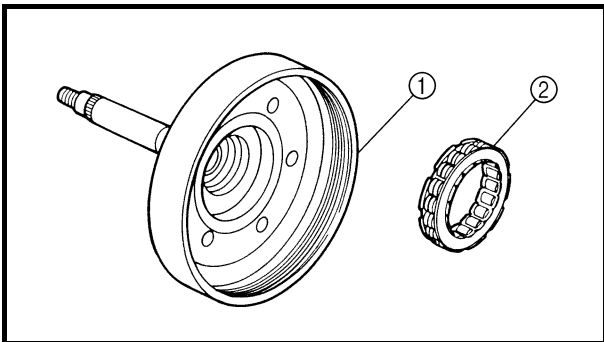
- 2.Straighten:
- Punched portion of the nut ①.
- 3.Remove:
- Nut ①

NOTE:

Use a clutch holding tool ② to hold the clutch carrier assembly.



Clutch holding tool:
P/N. YM-91042, 90890-04086

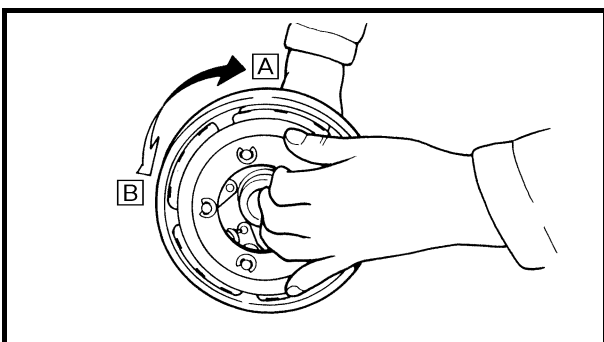


CHECKING THE CLUTCH

- 1.Check:
- Clutch housing ①
Heat damage/wear/damage → Replace.
 - One-way clutch bearing ②
Chafing/wear/damage → Replace.

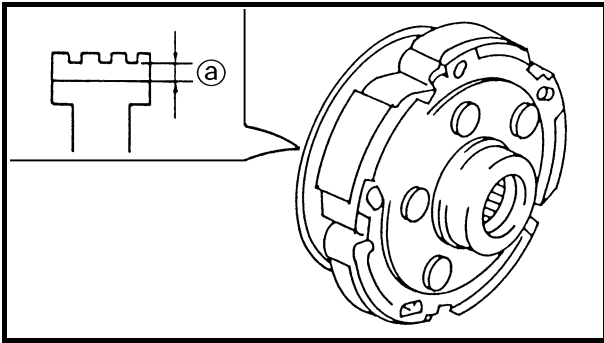
NOTE:

- Replace the one-way clutch assembly and clutch housing as a set.
- The one-way clutch bearing ② must be installed with the arrow marked side facing up.



Checking steps:

- Install the one-way clutch bearing and clutch carrier assembly to the clutch housing and hold the clutch carrier assembly.
- When turning the clutch carrier assembly clockwise [A], the clutch carrier assembly should turn freely.
If not, the one-way clutch assembly is faulty. Replace it.
- When turning the clutch carrier assembly counterclockwise [B], the clutch housing and clutch carrier assembly should be engaged.
If not, the one-way clutch assembly is faulty. Replace it.



2.Check:

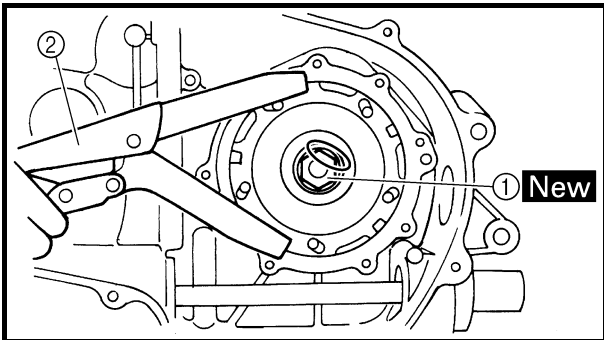
- Clutch shoe
Heat damage → Replace.

3.Measure:


- Clutch shoe thickness
Out of specification → Replace.



Clutch shoe thickness:
1.5 mm (0.06 in)
Clutch shoe wear limit @:
1.0 mm (0.04 in)

**INSTALLING THE CLUTCH**

1.Install:

- Clutch carrier assembly
- Nut ① **New**  140 Nm (14.0 m • kg, 100 ft • lb)

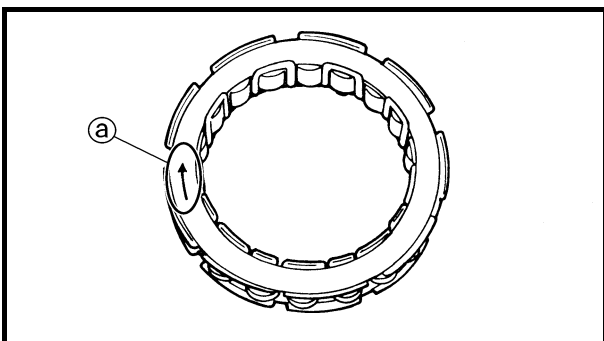
NOTE:

- Lubricate the nut with molybdenum disulfide oil.
- Use a clutch holding tool ② to hold the clutch carrier assembly.



Clutch holding tool:
P/N. YM-91042, 90890-04086

- 2.Lock the threads with a drift punch.

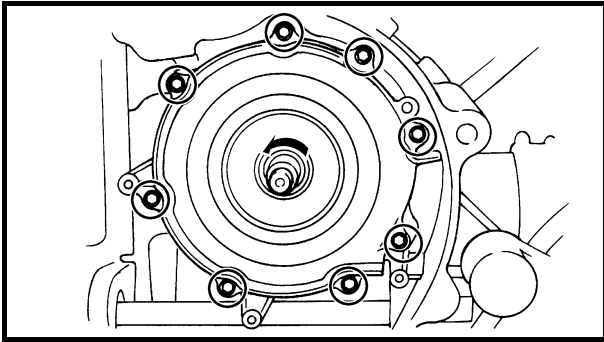


3.Install:


- One-way clutch bearing

NOTE:

The one-way clutch bearing should be installed in the clutch carrier assembly with the arrow mark @ facing toward the clutch housing.

**4. Install:**

- Dowel pins
- Gasket **New**
- Clutch housing assembly

 **10 Nm (1.0 m • kg, 7.2 ft • lb)**

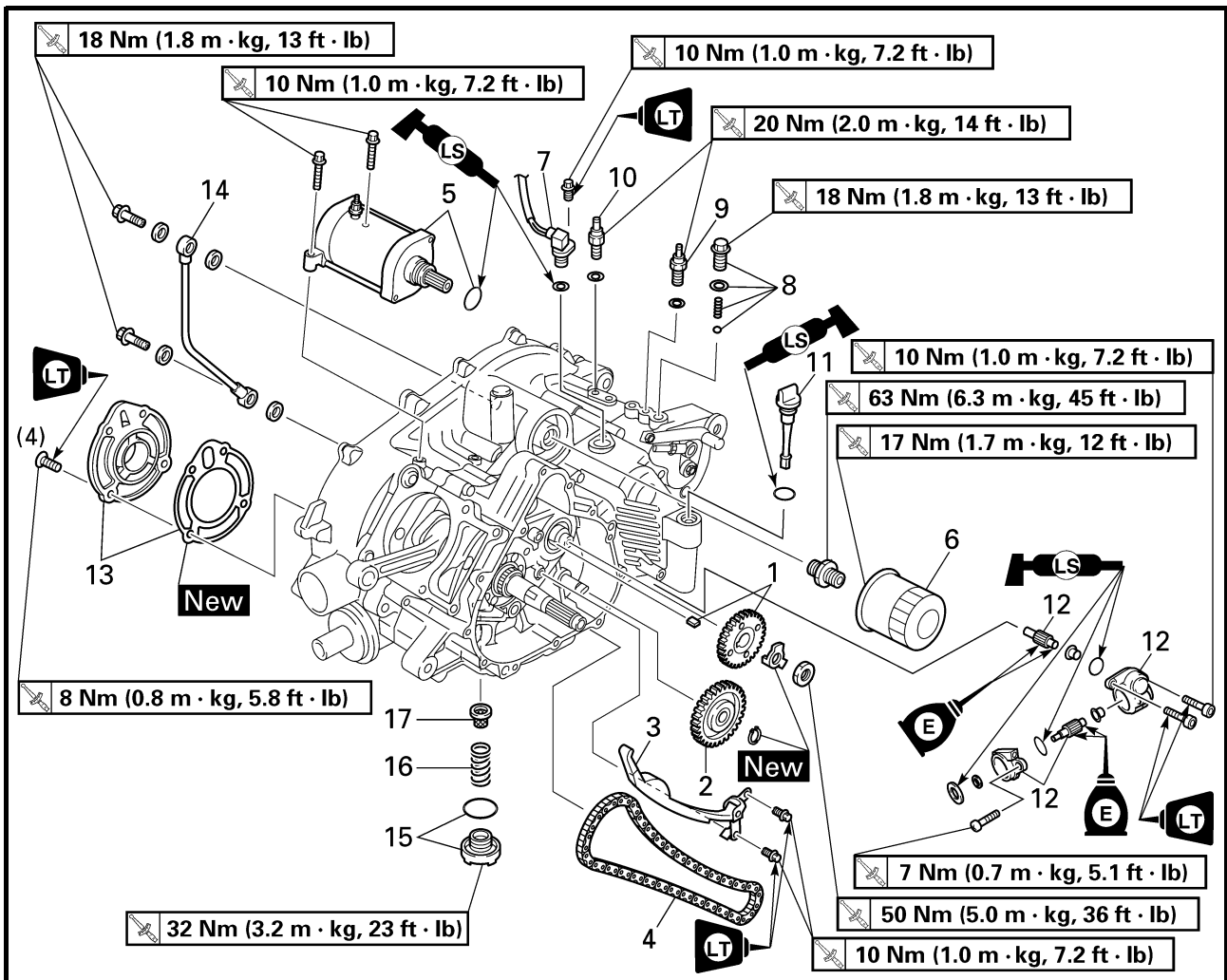
NOTE:

- Tighten the bolts in stages, using a crisscross pattern.
- After tightening the bolts, check that the clutch housing assembly to counterclockwise rotates smoothly.

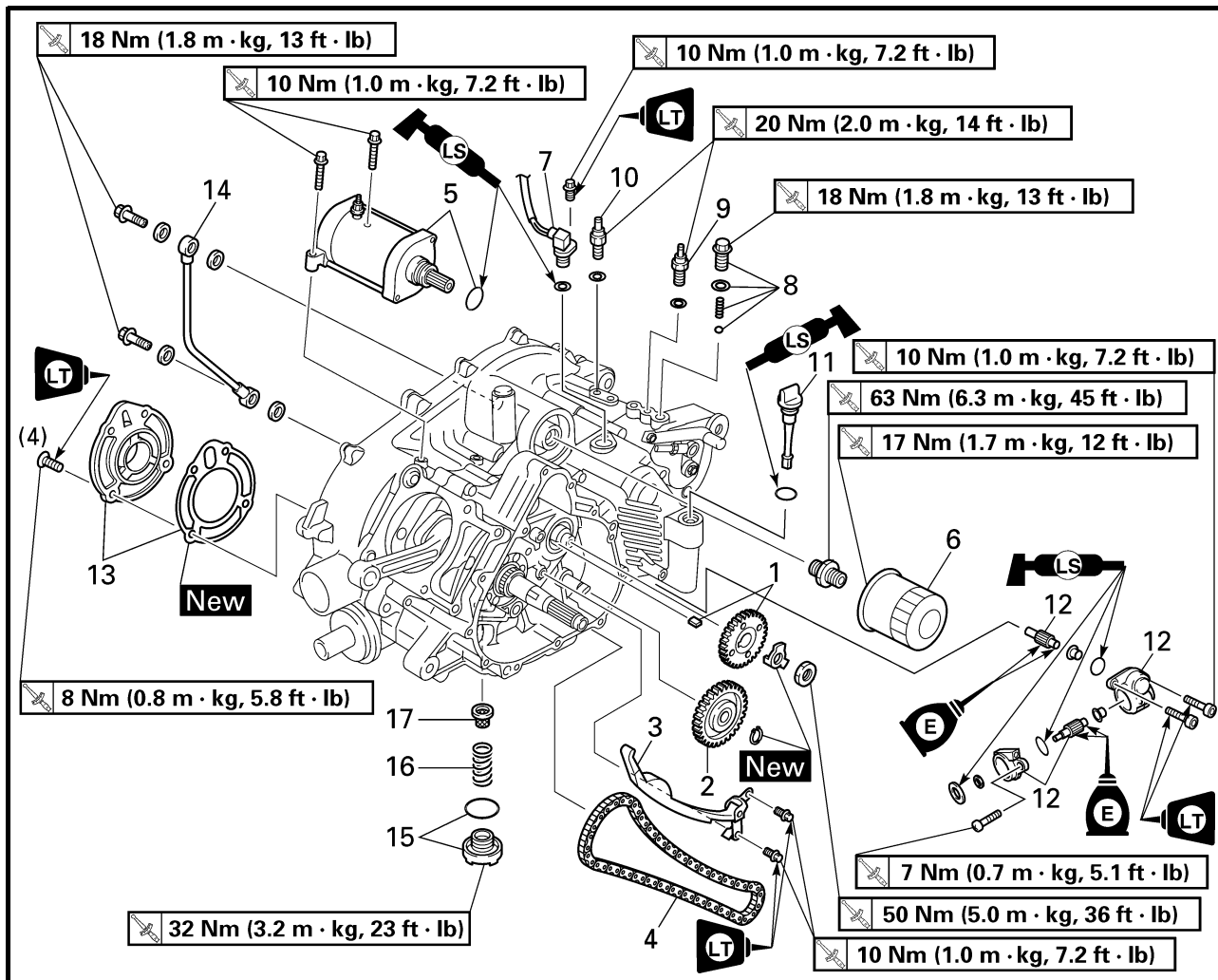


CRANKCASE

STARTER MOTOR, TIMING CHAIN AND OIL FILTER



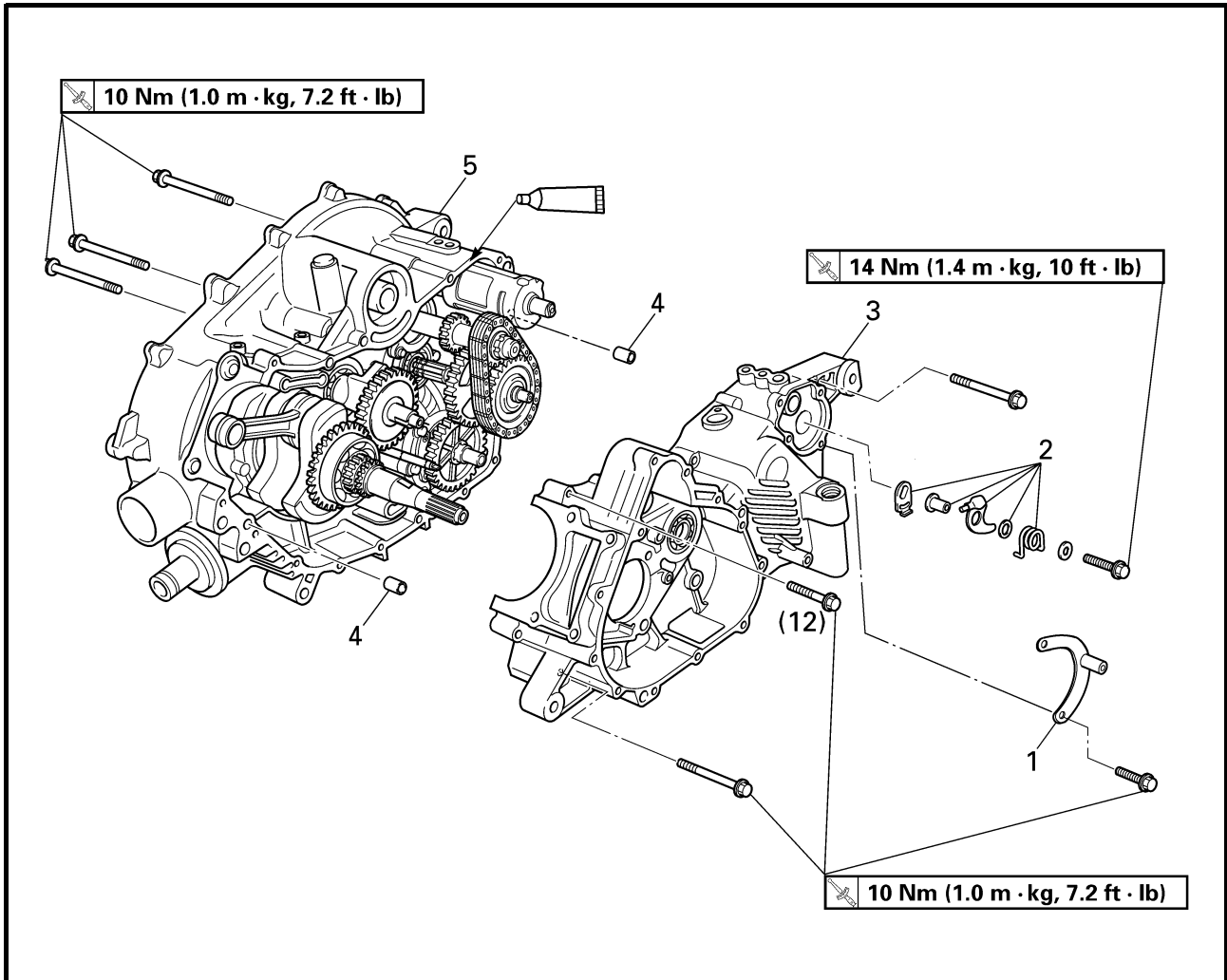
Order	Job name/Part name	Q'ty	Remarks
	Removing the starter motor, timing chain and oil filter		Remove the parts in the order below.
	Engine assembly		Refer to "ENGINE REMOVAL".
	Cylinder head		Refer to "CYLINDER HEAD".
	Cylinder and piston		Refer to "CYLINDER AND PISTON".
	Recoil starter and rotor		Refer to "RECOIL STARTER AND A.C. MAGNETO".
	Primary and secondary sheaves		Refer to "PRIMARY AND SECONDARY SHEAVES".
	Clutch carrier assembly		Refer to "CLUTCH".
1	Oil pump drive gear/straight key	1/1	Refer to "REMOVING/INSTALLING THE OIL PUMP DRIVE GEAR".
2	Oil pump driven gear	1	
3	Timing chain guide (intake)	1	
4	Timing chain	1	
5	Starter motor/O-ring	1/1	



Order	Job name/Part name	Q'ty	Remarks
6	Oil filter cartridge	1	
7	Speed sensor	1	
8	Shift cam stopper	1	
9	Neutral switch	1	
10	Reverse switch	1	
11	Oil filler cap	1	
12	Gear unit	1	
13	Bearing cover/gasket	1/1	
14	Oil delivery pipe	1	
15	Oil strainer cover/O-ring	1/1	
16	Compression spring	1	
17	Oil strainer	1	
			For installation, reverse the removal procedure.



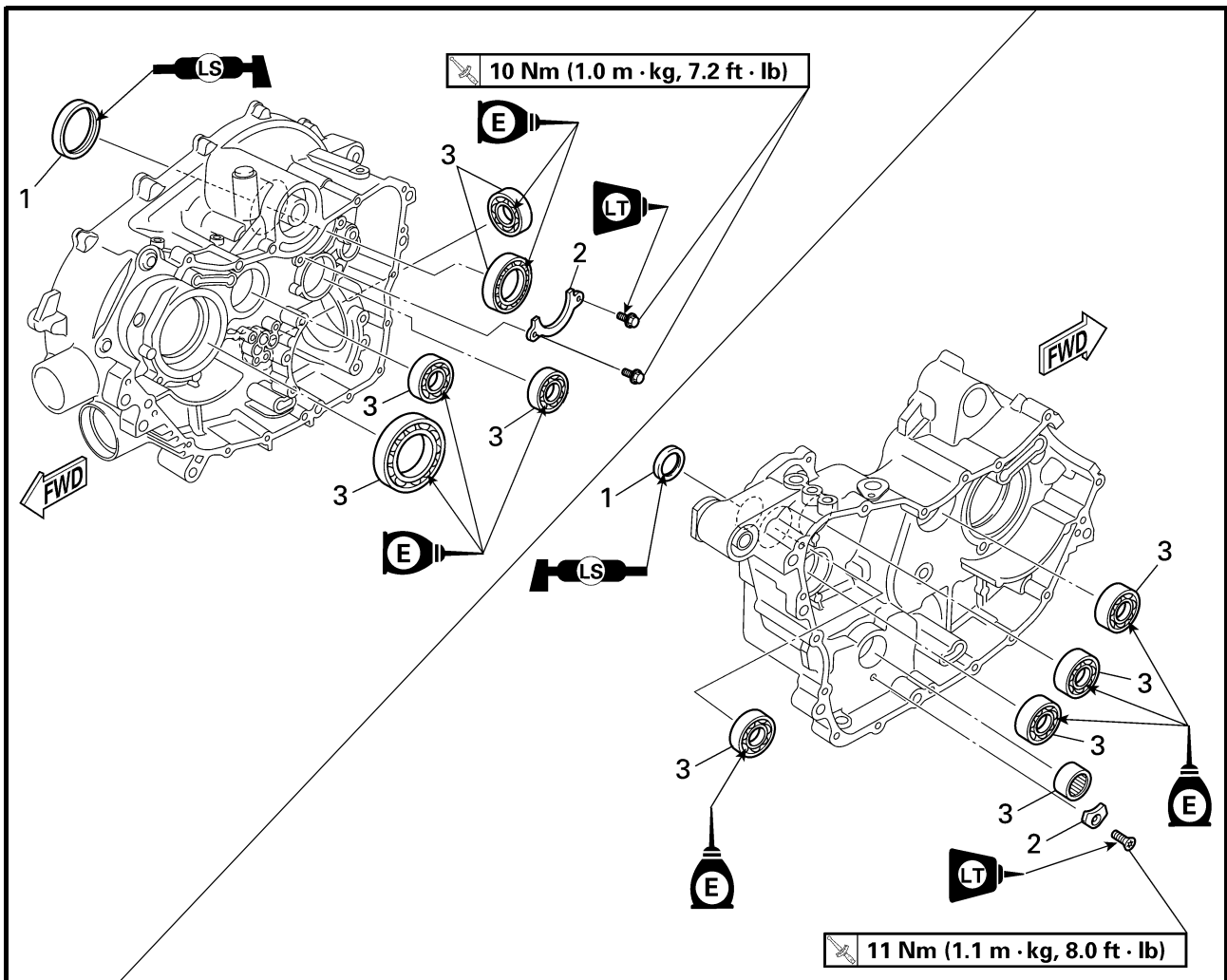
CRANKCASE



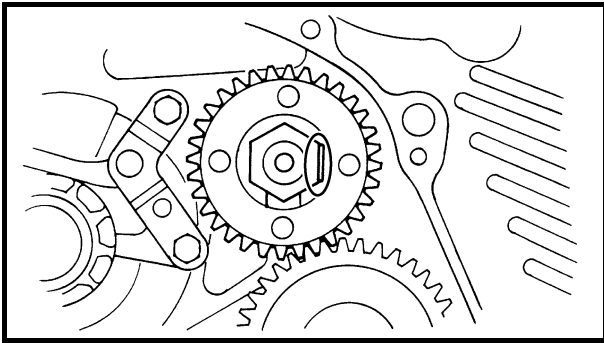
Order	Job name/Part name	Q'ty	Remarks
	Separating the crankcase		Remove the parts in the order below.
1	Engine side cover bracket	1	Refer to "INSTALLING THE SHIFT LEVER".
2	Shift lever assembly	1	
3	Crankcase (left)	1	Refer to "SEPARATING/ASSEMBLING THE CRANKCASE".
4	Dowel pin	2	
5	Crankcase (right)	1	
			For installation, reverse the removal procedure.



CRANKCASE BEARINGS



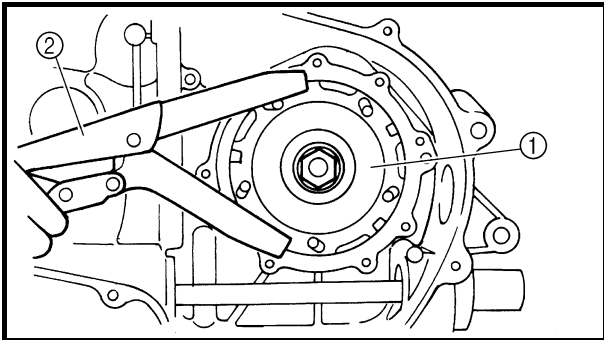
Order	Job name/Part name	Q'ty	Remarks
	Removing the crankcase bearings		Remove the parts in the order below.
	Crankshaft and oil pump		Refer to "CRANKSHAFT AND OIL PUMP".
	Transmission		Refer to "TRANSMISSION".
	Middle drive/driven shaft		Refer to "MIDDLE GEAR".
1	Oil seal	2	
2	Bearing retainer	2	
3	Bearing	10	
			For installation, reverse the removal procedure.



REMOVING THE OIL PUMP DRIVE GEAR

1. Straighten:

- Lock washer tab



2. Remove:

- Oil pump drive gear nut

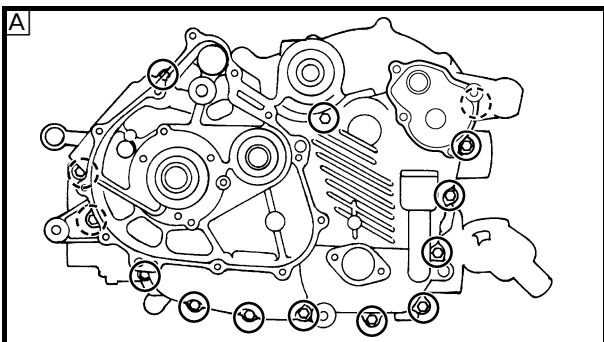
Removal steps:

- Temporarily install the clutch carrier assembly ①.
- Hold the clutch carrier assembly with a clutch holding tool ② and loosen the oil pump drive gear nut.



Clutch holding tool:
P/N. YM-91042, 90890-04086

- Remove the clutch carrier assembly.



SEPARATING THE CRANKCASE

1. Separate:

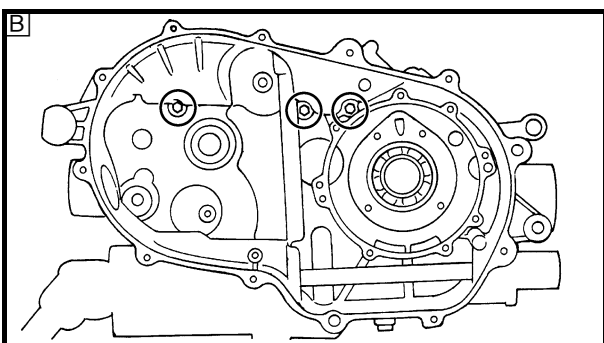
- Left crankcase

Separation steps:

- Remove the crankcase bolts.

NOTE:

- Loosen each bolt 1/4 of a turn at a time and after all the bolts are loosened, remove them.
- Loosen the bolts in stages, using a crisscross pattern.



A Left crankcase

B Right crankcase

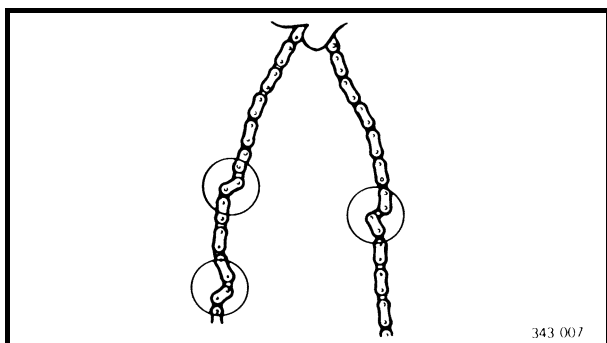


- Remove the left crankcase.

CAUTION:

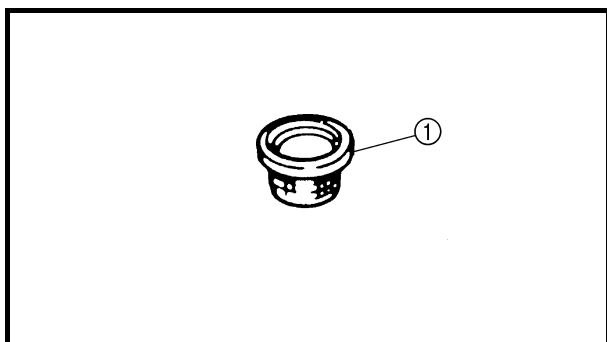
Use a soft hammer to tap on one side of the crankcase. Tap only on reinforced portions of the crankcase. Do not tap on the crankcase mating surfaces. Work slowly and carefully. Make sure that the crankcase halves separate evenly.

- Remove the dowel pins.



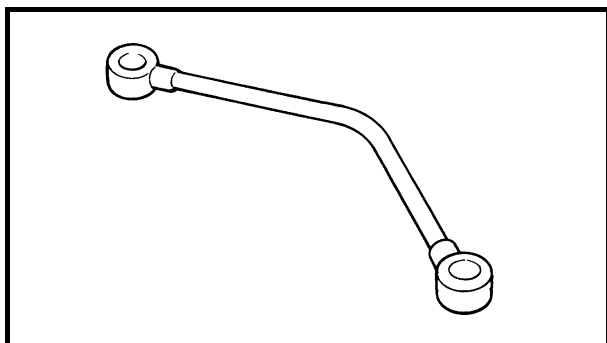
CHECKING THE TIMING CHAIN AND GUIDE

- 1.Check:
 - Timing chain
Cracks/stiff → Replace the timing chain and camshaft sprocket as a set.
- 2.Check:
 - Intake side timing chain guide
Wear/damage → Replace.



CHECKING THE OIL STRAINER AND OIL DELIVERY PIPE

- 1.Check:
 - Oil strainer ①

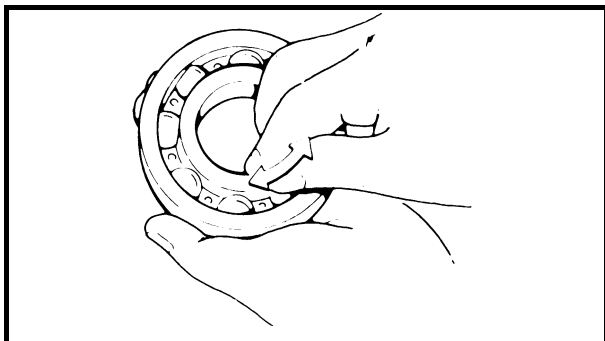


- 2.Check:
 - Oil delivery pipe
Cracks/damage → Replace.
Clogged → Blow out with compressed air.



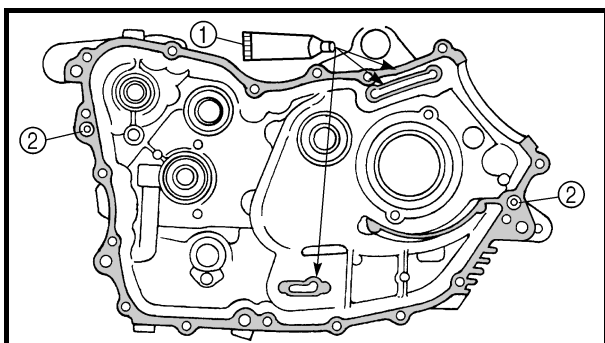
CHECKING THE CRANKCASE

1. Thoroughly wash the case halves in a mild solvent.
2. Clean all the gasket mating surfaces and crankcase mating surfaces thoroughly.
3. Check:
 - Crankcase
Cracks/damage → Replace.
 - Oil delivery passages
Clogged → Blow out with compressed air.



CHECKING THE BEARINGS

1. Check:
 - Bearings
Clean and lubricate, then rotate the inner race with a finger.
Roughness → Replace.



ASSEMBLING THE CRANKCASE

1. Apply:
 - Sealant (Quick Gasket®) ①
(to the mating surfaces of both case halves)



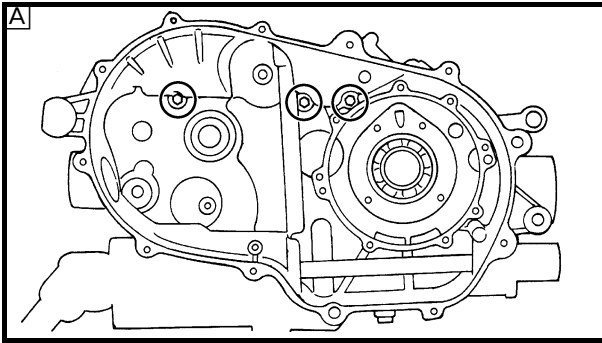
Sealant (Quick Gasket®):
P/N. ACC-11001-05-01
Yamaha bond No. 1215:
P/N. 90890-85505

2. Install:
 - Dowel pins ②

3. Fit the left crankcase onto the right case. Tap lightly on the case with a soft hammer.

CAUTION:

Before installing and torquing the crankcase holding bolts, be sure to check whether the transmission is functioning properly by manually rotating the shift cam in both directions.



4. Tighten:

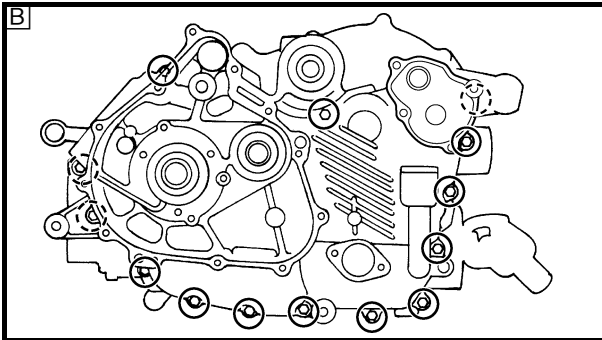
- Crankcase bolts
(follow the proper tightening sequence)

10 Nm (1.0 m • kg, 7.2 ft • lb)

- A Right crankcase
- B Left crankcase

NOTE:

Tighten the bolts in stages, using a crisscross pattern.

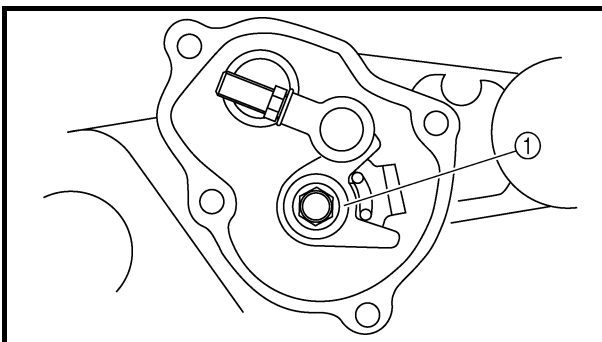


5. Apply:

- 4-stroke engine oil
(to the crank pin, bearings and oil delivery hole)

6. Check:

- Crankshaft and transmission operation
Unsmooth operation → Repair.



INSTALLING THE SHIFT LEVER

1. Install:

- Shift lever assembly ①

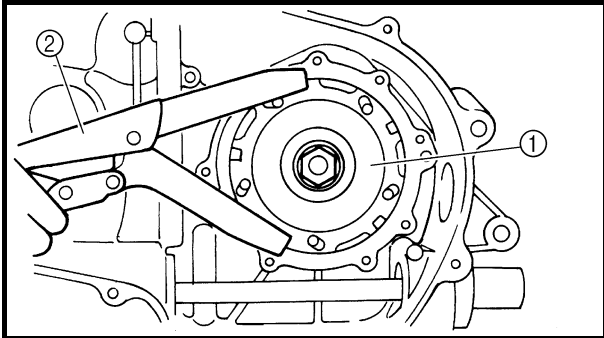
14 Nm (1.4 m • kg, 10 ft • lb)



INSTALLING THE OIL PUMP DRIVE GEAR


1. Install:

- Straight key
- Oil pump drive gear
- Lock washer **New**
- Oil pump drive gear nut



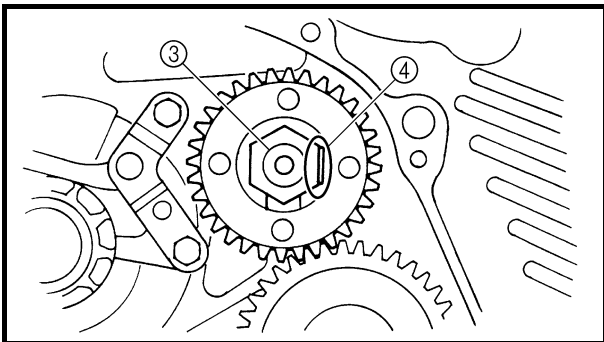
2. Tighten:


- Oil pump drive gear nut

 **50 Nm (5.0 m • kg, 36 ft • lb)**

Tightening steps:

- Temporary install the clutch carrier assembly ①.
- Hold the clutch carrier assembly with a clutch holding tool ② and tighten the oil pump drive gear nut ③.



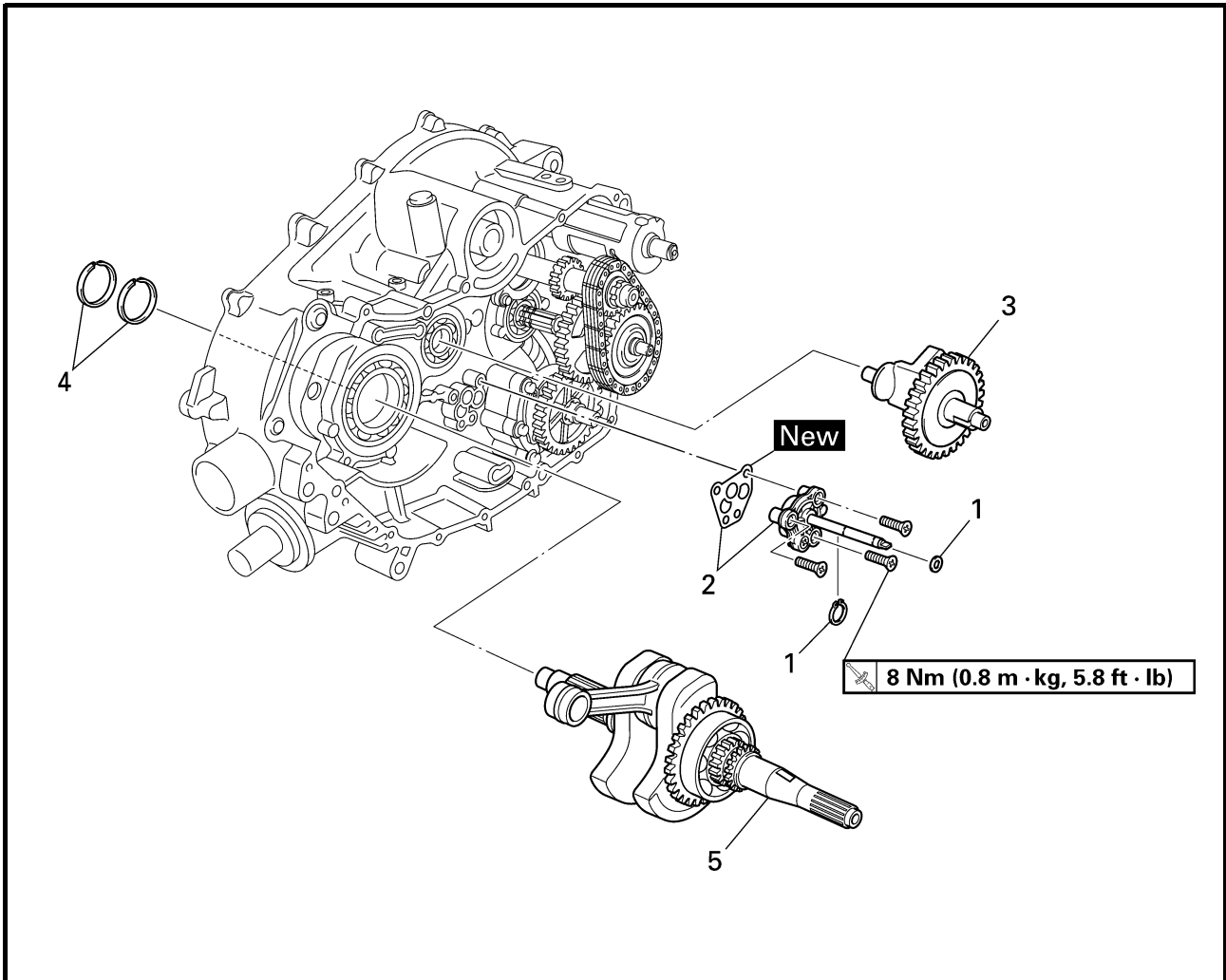
	<p>Clutch holding tool: P/N. YM-91042, 90890-04086</p>
--	---

- Remove the clutch carrier assembly.

3. Bend the lock washer tab ④.



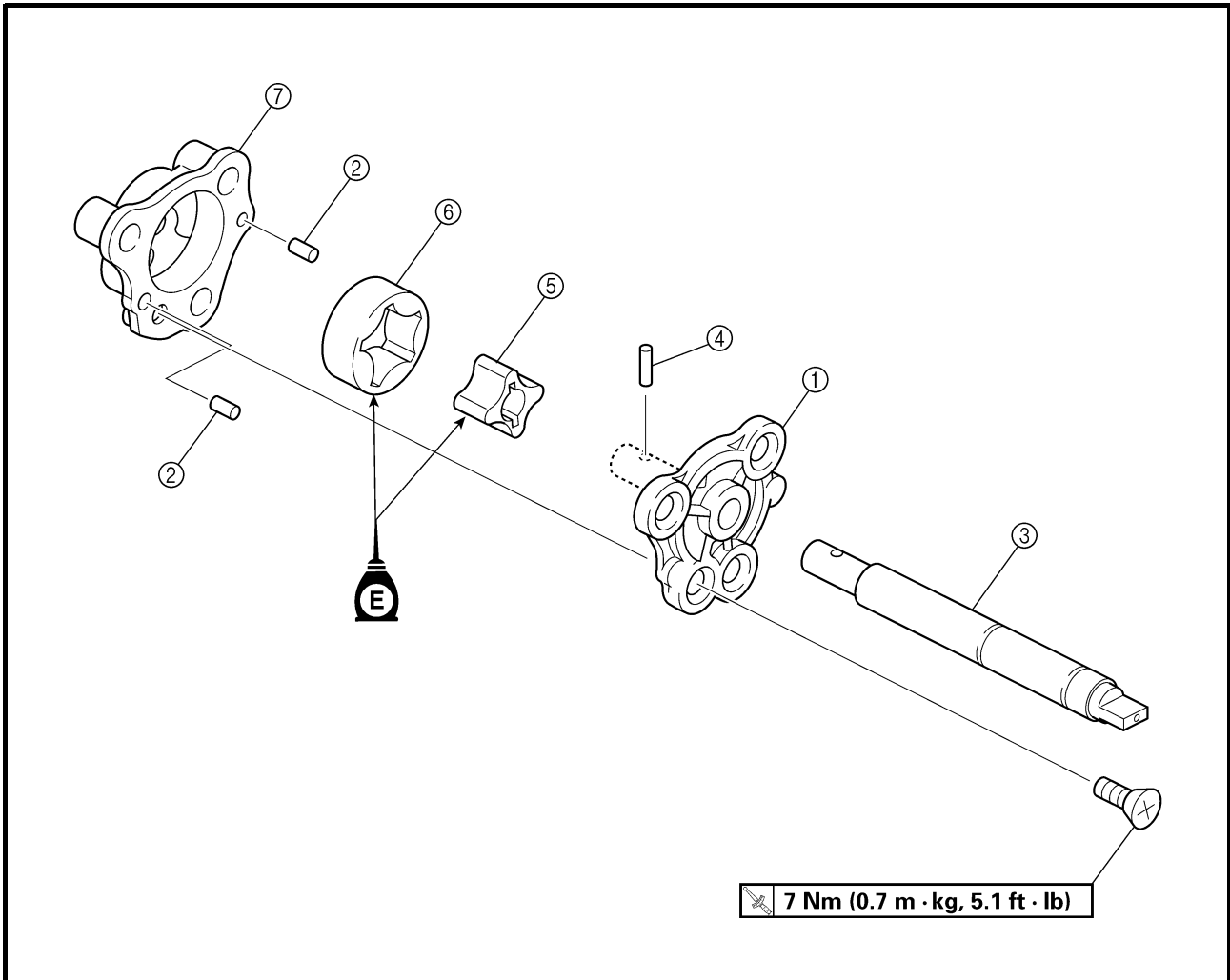
CRANKSHAFT AND OIL PUMP



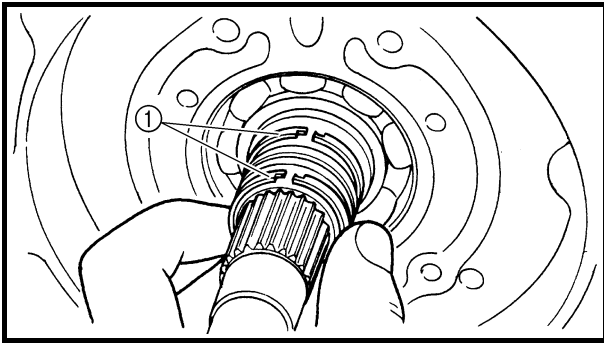
Order	Job name/Part name	Q'ty	Remarks
	Removing the crankshaft and oil pump		Remove the parts in the order below.
	Crankcase separation		Refer to "CRANKCASE".
1	Washer/circlip	1/1	Refer to "REMOVING THE CRANKSHAFT/INSTALLING THE CRANKSHAFT AND BALANCER". For installation, reverse the removal procedure.
2	Oil pump assembly/gasket	1/1	
3	Balancer	1	
4	Crankshaft seal	2	
5	Crankshaft	1	



OIL PUMP



Order	Job name/Part name	Q'ty	Remarks
	Disassembling the oil pump		Remove the parts in the order below.
①	Rotor cover	1	
②	Pin	2	
③	Shaft	1	
④	Pin	1	
⑤	Inner rotor	1	
⑥	Outer rotor	1	
⑦	Oil pump housing	1	
			For assembly, reverse the disassembly procedure.



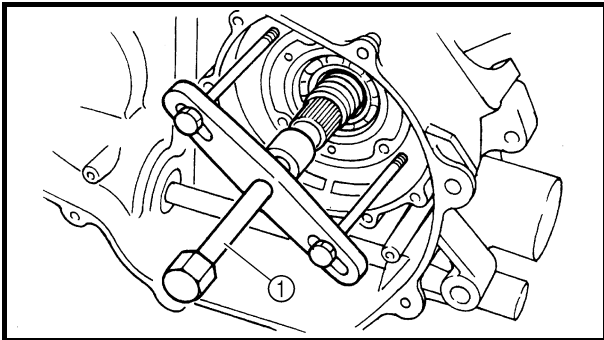
REMOVING THE CRANKSHAFT

1.Remove:

- Crankshaft seal ①

NOTE:

Mark a note of the position of each crankshaft seal so that they can be installed in the correct place and in the correct direction.



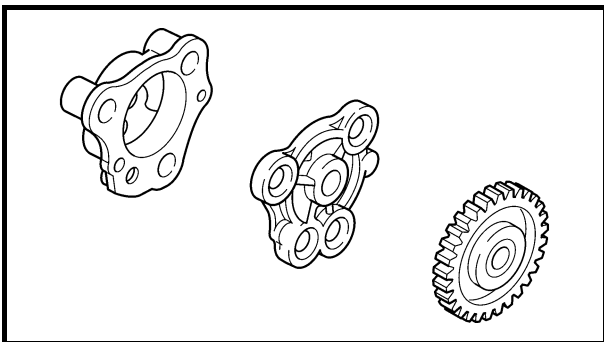
2.Remove:

- Crankshaft

Use a crankcase separating tool ①.



Crankcase separating tool:
P/N. YU-01135-A, 90890-01135

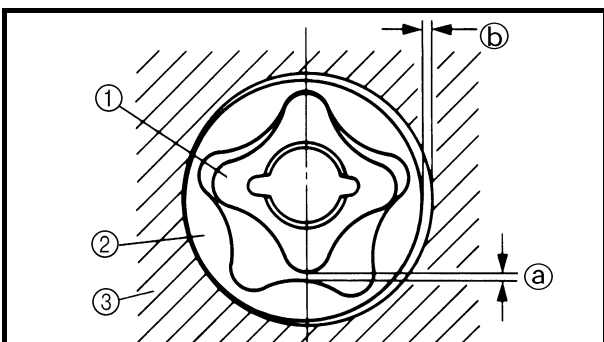


CHECKING THE OIL PUMP

1.Check:

- Oil pump driven gear
- Oil pump housing
- Rotor cover

Cracks/wear/damage → Replace.



2.Measure:

- Tip clearance ①

(between the inner rotor ① and the outer rotor ②)

- Side clearance ②

(between the outer rotor ② and the pump housing ③)

Out of specification → Replace the oil pump.



Tip clearance ①:

0.15 mm (0.006 in)

<Limit>: 0.20 mm (0.008 in)

Side clearance ②:

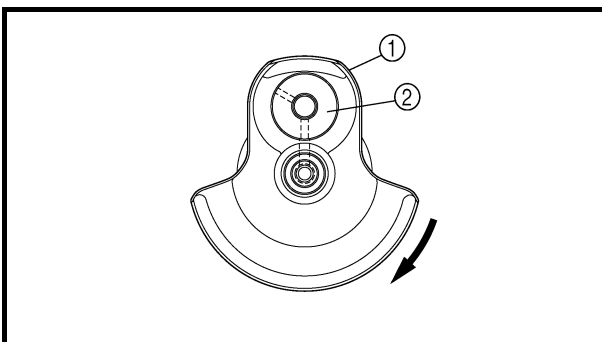
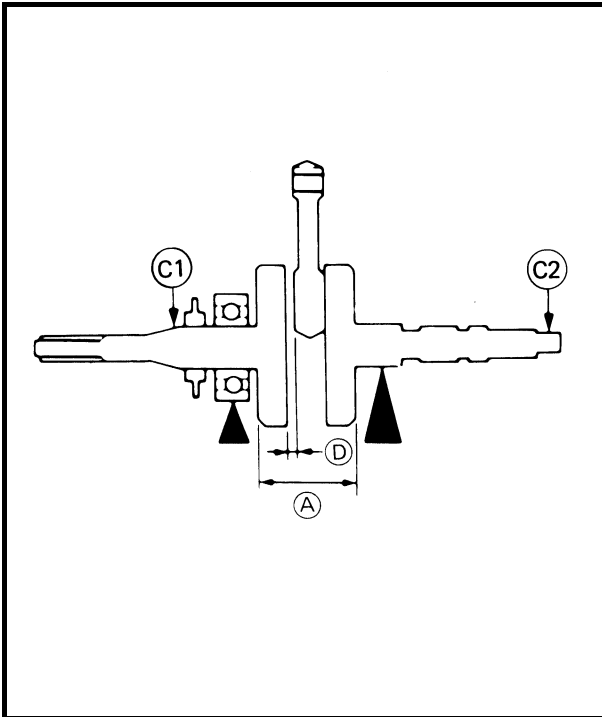
0.04 ~ 0.09 mm (0.002 ~ 0.004 in)

<Limit>: 0.16 mm (0.006 in)



3.Check:

- Oil pump operation
Unsmooth → Repeat steps #1 and #2 or replace the defective parts.



CHECKING THE CRANKSHAFT

1.Measure:

- Crank width (A)
Out of specification → Replace the crankshaft.

	Crank width: 62.95 ~ 63.00 mm (2.4783 ~ 2.4803 in)
--	---

- Side clearance (D)
Out of specification → Replace the crankshaft.

	Big end side clearance: 0.25 ~ 0.75 mm (0.0098 ~ 0.0295 in) <Limit>: 1.00 mm (0.0394 in)
--	--

- Runout (C)
Out of specification → Replace the crankshaft.

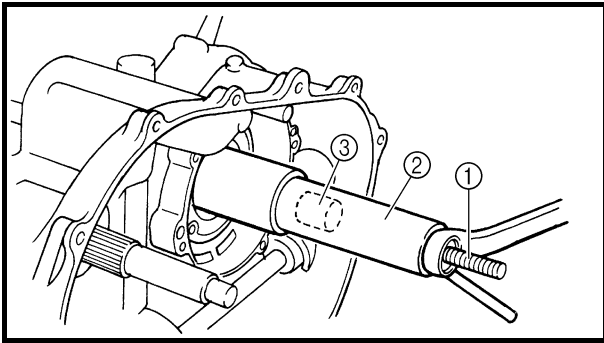
	Runout limit: C1: 0.03 mm (0.0012 in) C2: 0.03 mm (0.0012 in)
--	--

Crankshaft reassembling point:

The crankshaft ① and the crank pin ② oil passages must be properly interconnected with a tolerance of less than 1 mm (0.04 in).

CAUTION:

The buffer boss and woodruff key should be replaced when removed from the crankshaft.



INSTALLING THE CRANKSHAFT AND BALANCER

1. Install:

- Crankshaft



Crankshaft installer set ①②:

P/N. YU-90050

Buffer boss installer set ②③:

P/N. 90890-04088

Crankshaft installer bolt ①:

P/N. 90890-01275

Adapter #11 ③:

P/N. YM-33279

Spacer (crankshaft):

P/N. YM-90070-A, 90890-04060

NOTE:

Hold the connecting rod at the Top Dead Center (T.D.C.) with one hand while turning the nut of the installing tool with the other. Operate the installing tool until the crankshaft bottoms against the bearing.

CAUTION:

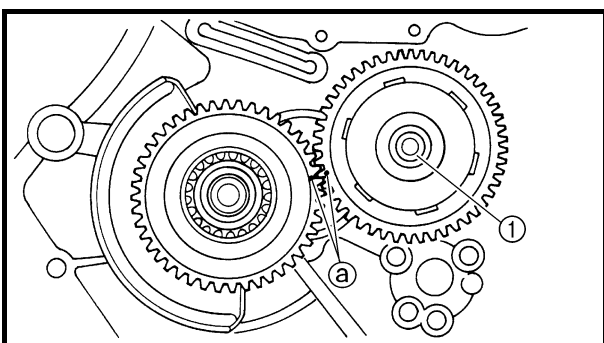
Apply engine oil to each bearing to protect the crankshaft against scratches and to make installation easier.

2. Install:

- Crankshaft seal

NOTE:

Install the crankshaft seals in the correct place and in the correct direction.



3. Install:

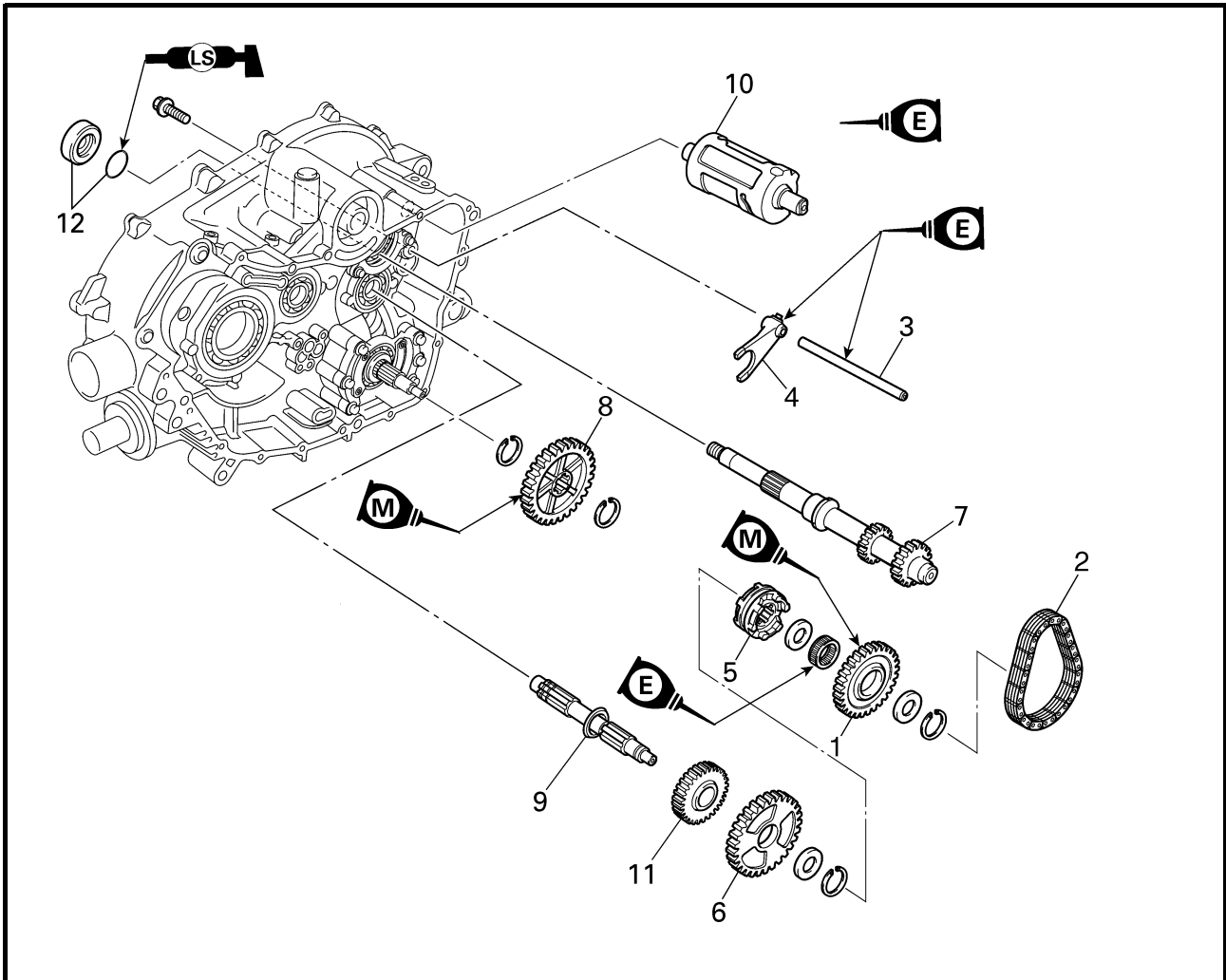
- Balancer ①

NOTE:

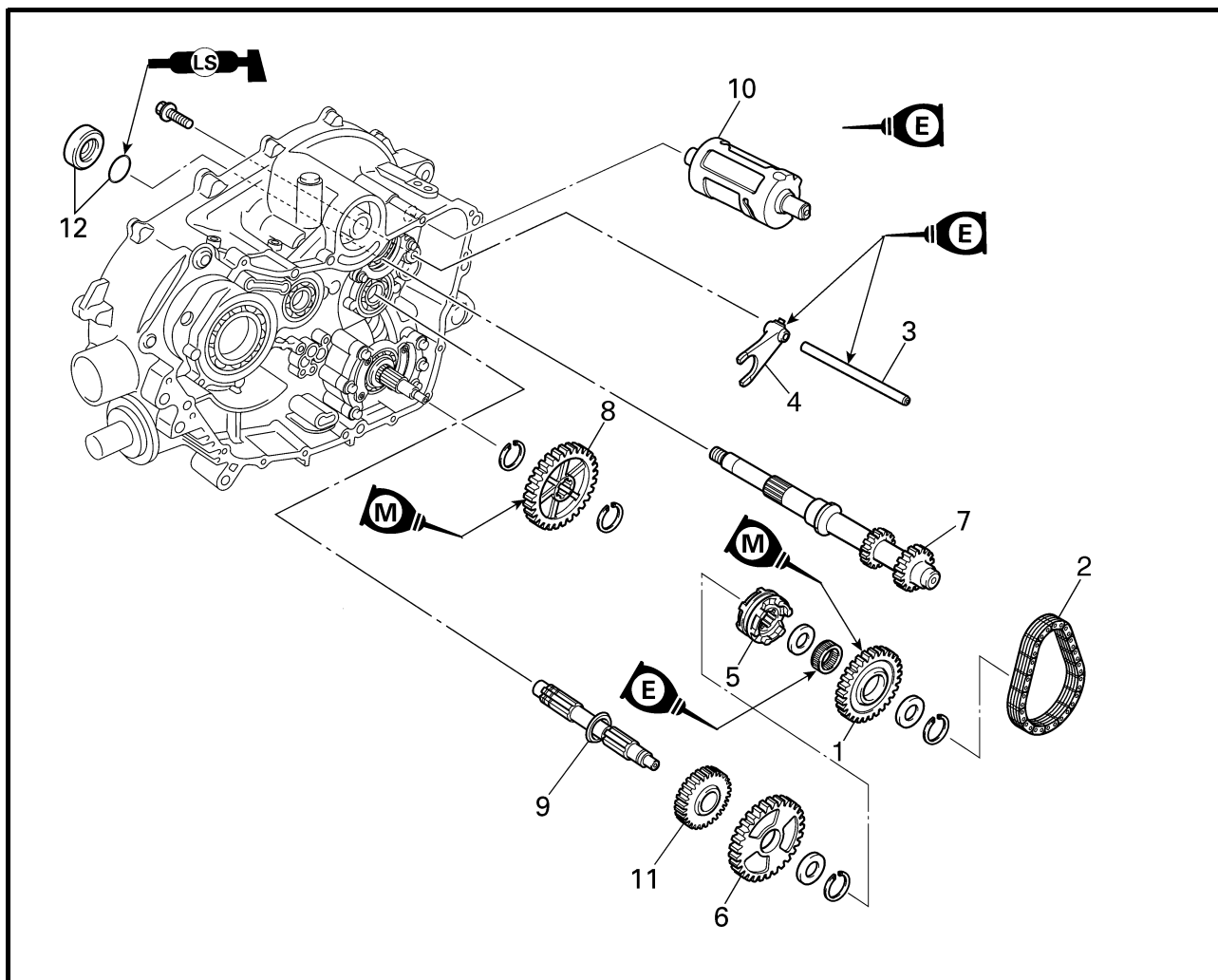
Align the punch marks ① on the drive and driven gears.



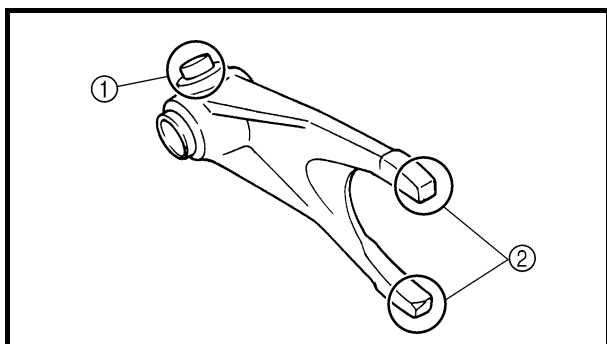
TRANSMISSION



Order	Job name/Part name	Q'ty	Remarks
	Removing the transmission		Remove the parts in the order below. Refer to "CRANKCASE".
	Crankcase separation		
1	Driven sprocket	1	
2	Chain	1	
3	Guide bar	1	
4	Shift fork	1	
5	Clutch dog	1	
6	Low wheel gear	1	
7	Secondary shaft	1	
8	Middle driven gear	1	
9	Drive axle assembly	1	

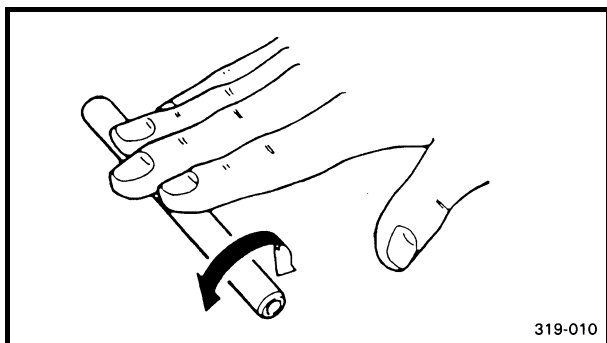


Order	Job name/Part name	Q'ty	Remarks
10	Shift cam	1	For installation, reverse the removal procedure.
11	Middle drive gear	1	
12	Spacer/O-ring	1/1	

**CHECKING THE SHIFT FORKS**

1. Check:

- Shift fork cam follower ①
- Shift fork pawls ②
Scoring/bends/wear/damage → Replace.

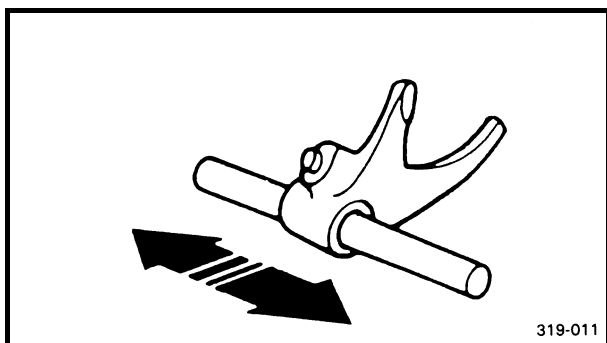


2. Check:

- Guide bar
Roll the guide bar on a flat surface.
Bends → Replace.

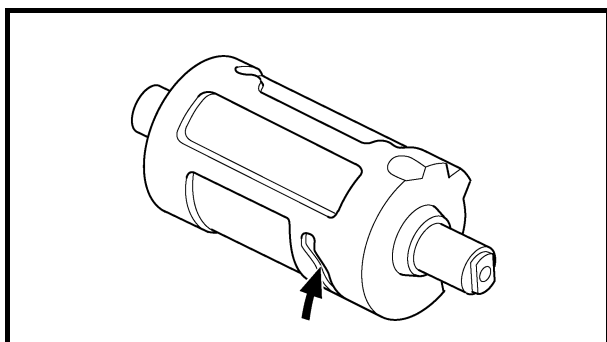
⚠ WARNING

Do not attempt to straighten a bent guide bar.



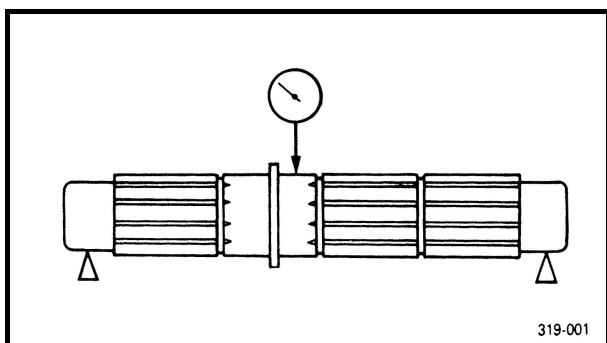
3. Check:

- Shift fork movement
(on the guide bar)
Unsmooth operation → Replace the shift fork and the guide bar.

**CHECKING THE SHIFT CAM**

1. Check:

- Shift cam groove
Scratches/wear/damage → Replace.

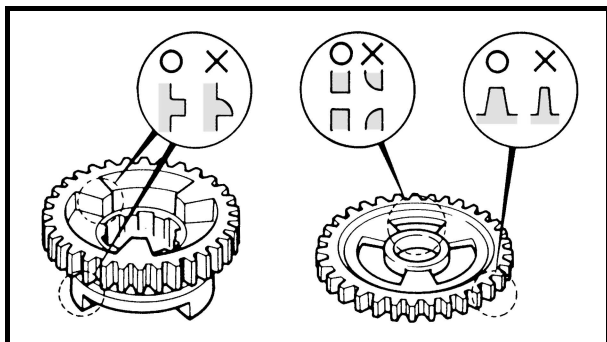
**CHECKING THE TRANSMISSION**

1. Measure:

- Axle runout
Use a centering device and a dial gauge.
Out of specification → Replace the bent axle.



**Runout limit (drive axle):
0.06 mm (0.0024 in)**



2.Check:

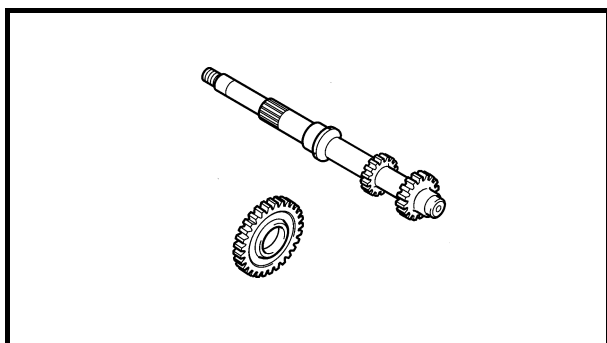
- Gear teeth
Blue discoloration/pitting/wear → Replace.
- Mated dogs
Rounded edges/cracks/missing portions → Replace.

3.Check:

- Gear movement
Unsmooth → Repeat steps #1 and #2 or replace the defective parts.

4.Check:

- Circlips
Bends/looseness/damage → Replace.

**CHECKING THE SECONDARY SHAFT AND DRIVEN SPROCKET**

1.Check:

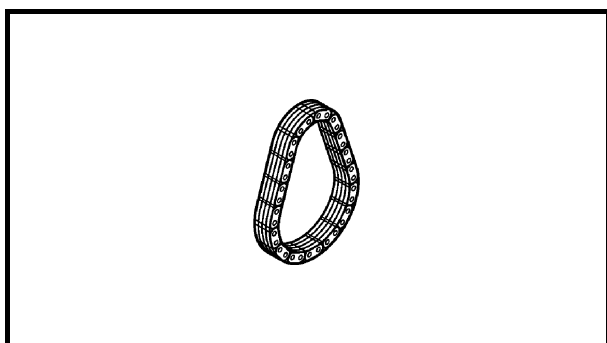
- Gear teeth
Blue discoloration/pitting/wear → Replace.

2.Check:

- Gear movement
Unsmooth → Repeat steps #1 or replace the defective parts.

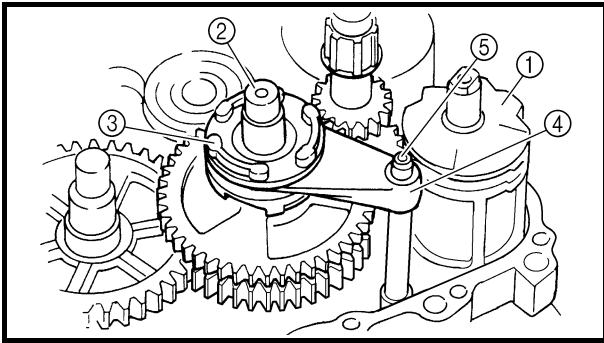
3.Check:

- Circlips
- Bends/looseness/damage → Replace.

**CHECKING THE CHAIN**

1.Check:

- Chain
Cracks/shift → Replace the chain, secondary shaft and driven sprocket as a set.



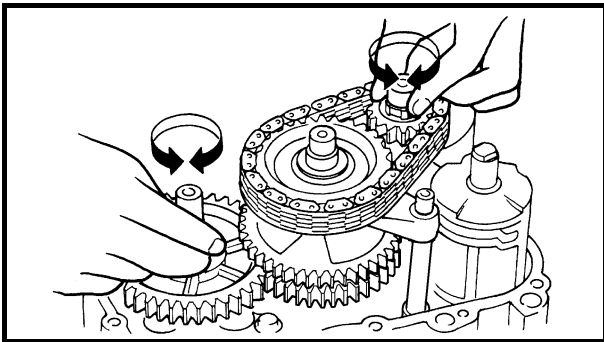
INSTALLING THE TRANSMISSION

1. Install:

- Shift cam ①
- Drive axle assembly ②
- Clutch dog ③
- Shift fork ④
- Guide bar ⑤

NOTE: _____

Install the shift fork with the "L" mark facing towards the left side of the crankcase. Be sure that the shift fork guide pin is properly seated in the shift drum groove.



2. Check:

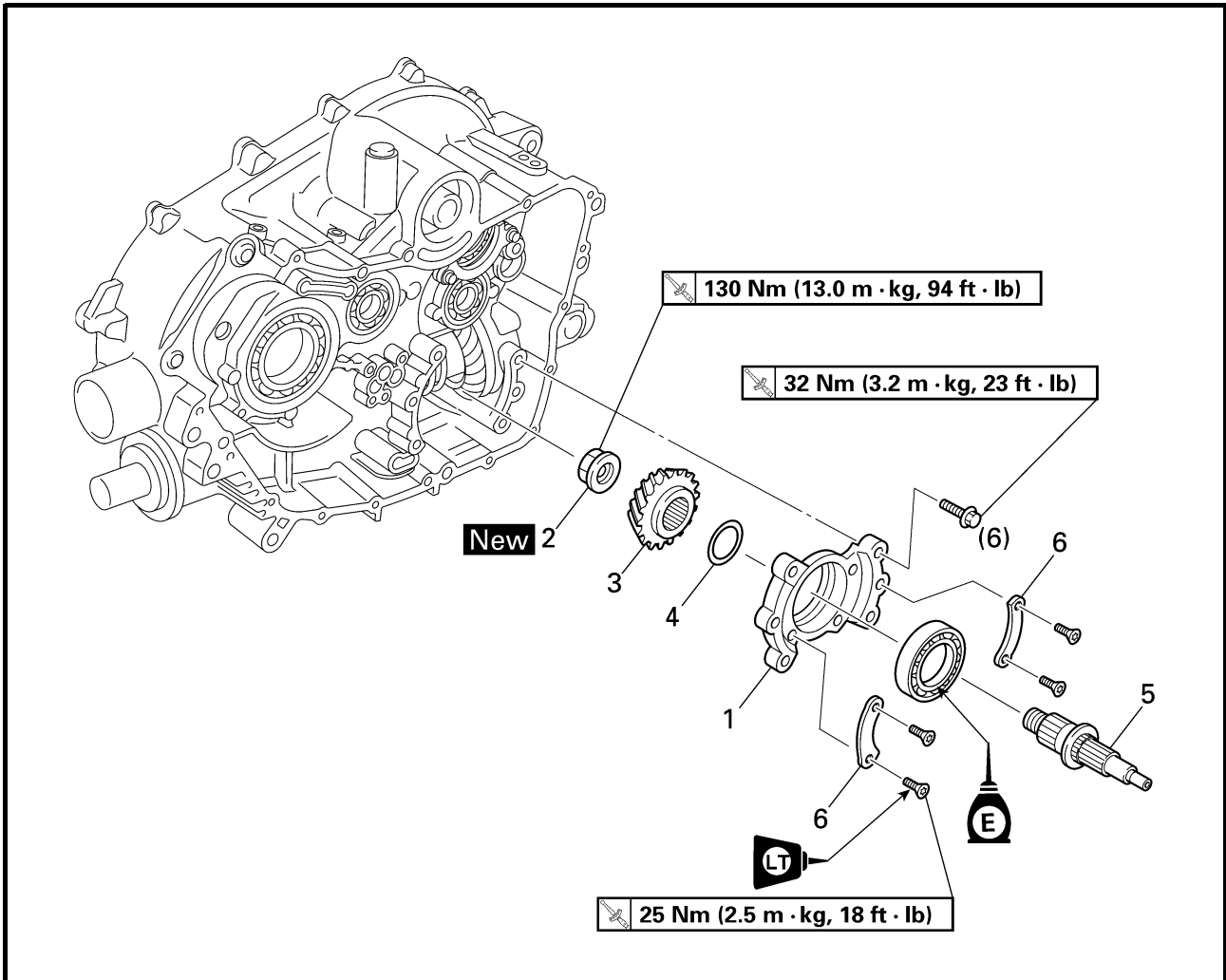
- Shift operation
- Unsmooth operation → Repair.

NOTE: _____

- Oil each gear and bearing thoroughly.
 - Before assembling the crankcase, be sure that the transmission is in neutral and that the gears turn freely.
-



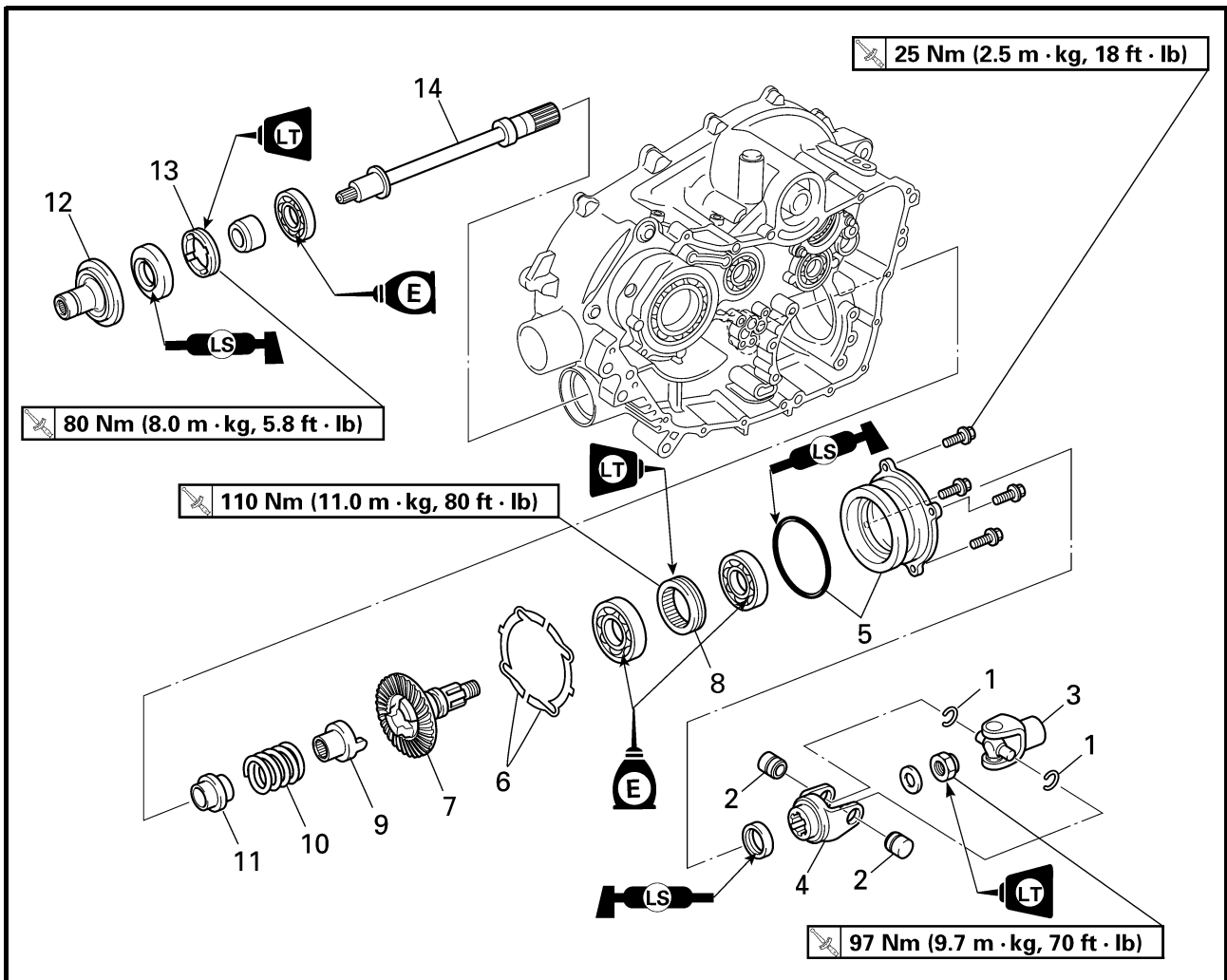
MIDDLE GEAR
MIDDLE DRIVE SHAFT



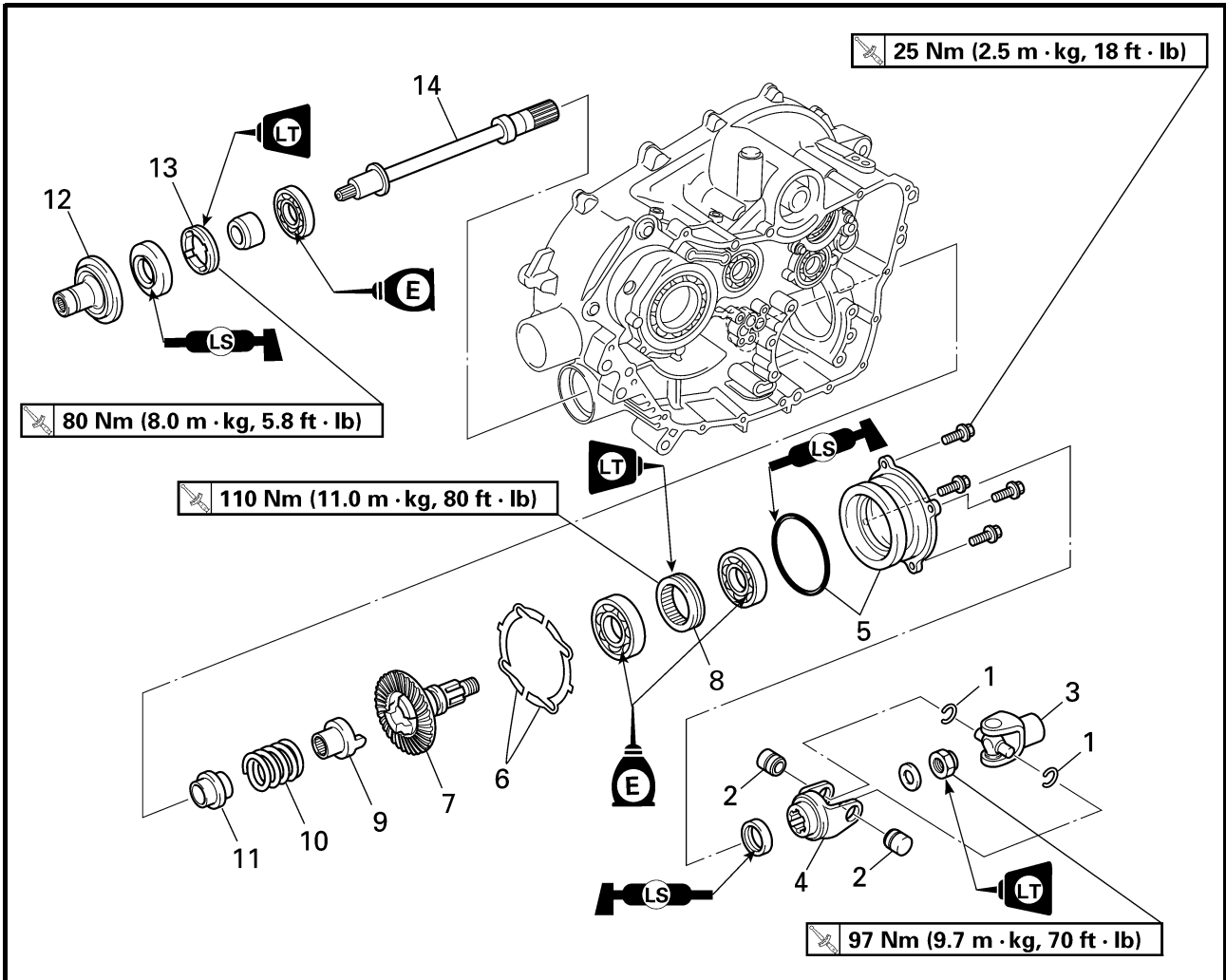
Order	Job name/Part name	Q'ty	Remarks
	Removing the middle drive shaft		
	Crankcase separation		Remove the parts in the order below.
	Transmission		Refer to "CRANKCASE".
			Refer to "TRANSMISSION".
1	Bearing housing assembly	1	Refer to "REMOVING/INSTALLING THE MIDDLE DRIVE SHAFT".
2	Nut	1	
3	Middle drive pinion gear	1	
4	Shim		
5	Middle drive shaft	1	
6	Bearing retainer	2	
			Refer to "SELECTING THE MIDDLE DRIVE AND DRIVEN GEAR SHIMS".
			For installation, reverse the removal procedure.



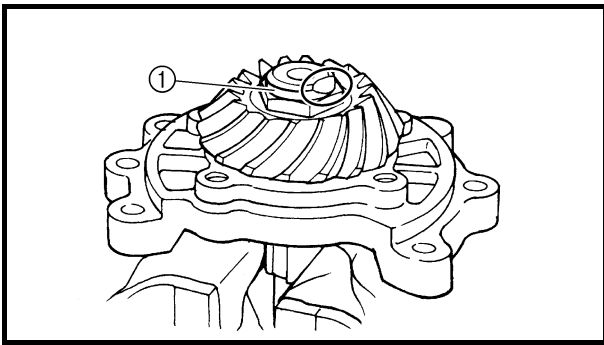
MIDDLE DRIVEN SHAFT



Order	Job name/Part name	Q'ty	Remarks
	Removing the middle driven shaft		
	Crankcase separation		Remove the parts in the order below. Refer to "CRANKCASE".
1	Circlip	2	Refer to "REMOVING/INSTALLING THE MIDDLE DRIVEN SHAFT".
2	Bearing	2	
3	Universal joint	1	
4	Universal joint yoke	1	
5	Bearing housing/O-ring	1/1	
6	Shim		Refer to "SELECTING THE MIDDLE DRIVE AND DRIVEN GEAR SHIMS".
7	Middle drive pinion gear	1	Refer to "REMOVING/INSTALLING THE MIDDLE DRIVEN SHAFT".
8	Bearing retainer	1	
9	Damper cam	1	
10	Spring	1	
11	Gear coupling	1	



Order	Job name/Part name	Q'ty	Remarks
12	Front drive shaft coupling	1	For installation, reverse the removal procedure.
13	Bearing retainer	1	
14	Middle driven shaft	1	



REMOVING THE MIDDLE DRIVE SHAFT

1. Straighten:

- Punched portion of the nut (middle drive pinion gear)

2. Loosen:

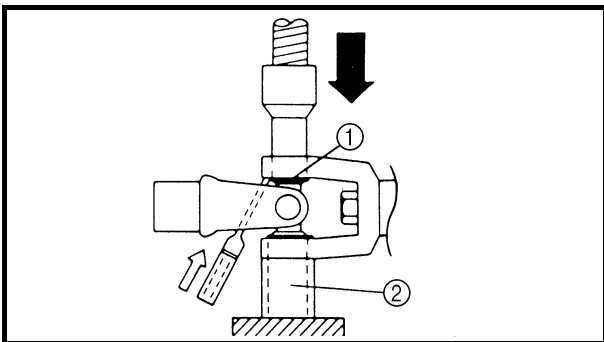
- Nut (middle drive pinion gear) ①

NOTE: _____

Secure the middle drive shaft in the vise with a clean rag.

3. Remove:

- Nut (middle drive pinion gear)
- Middle drive pinion gear
- Shim(s)



REMOVING THE MIDDLE DRIVEN SHAFT

1. Remove:

- Universal joints

Removal steps:

- Remove the circlips ①.
- Place the U-joint in a press.
- With a suitable diameter pipe ② beneath the yoke ③, press the bearing ④ into the pipe as shown.

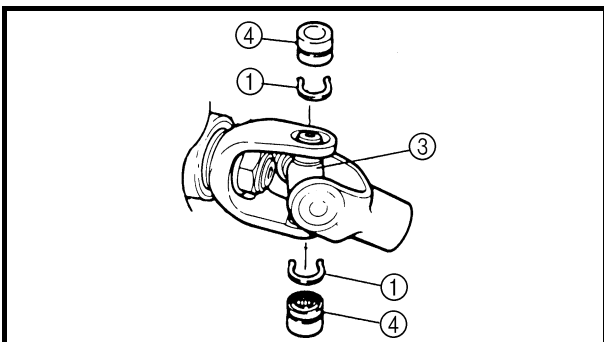
NOTE: _____

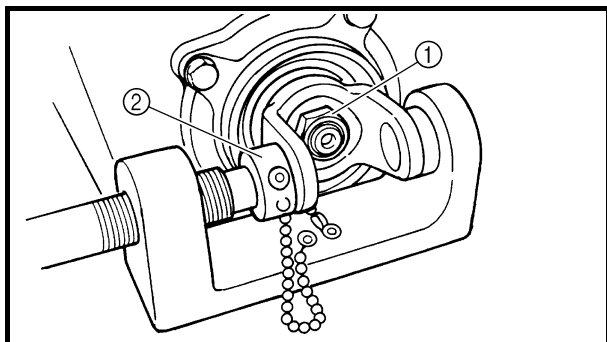
It may be necessary to lightly tap the yoke with a punch.

- Repeat the steps for the opposite bearing.
- Remove the yoke.

NOTE: _____

It may be necessary to lightly tap the yoke with a punch.





2.Remove:

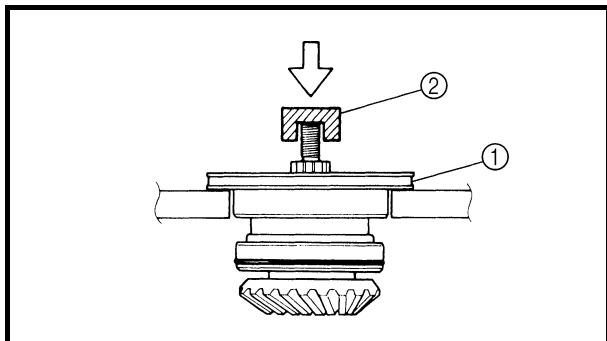
- Nut ①
- Washer
- Universal joint yoke

NOTE:

Use the universal joint holder ② to hold the universal joint yoke.



Universal joint holder:
P/N. YM-04062, 90890-04062



3.Remove:

- Bearing housing assembly ①

Removal steps:

- Clean the outside of the middle driven shaft.
- Place the middle driven shaft onto a hydraulic press.

CAUTION:

- Never directly press the shaft end with a hydraulic press, this will result in damage to the shaft thread.
- Install the suitable socket ② on the shaft end to protect the thread from damage.

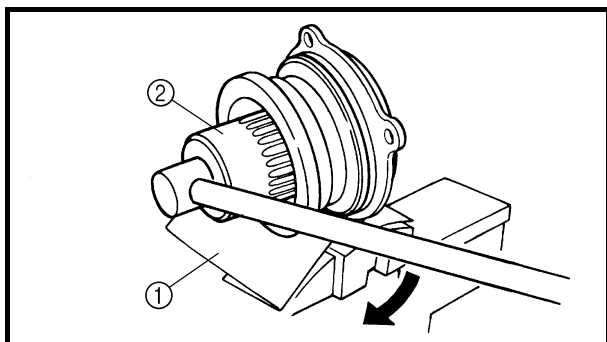
- Press the shaft end and remove the bearing housing.

4.Remove:

- Bearing retainer
- Bearings

Removal steps:

- Attach the folded rag ①.
- Secure the bearing housing edge in the vise.
- Attach the bearing retainer wrench ②.

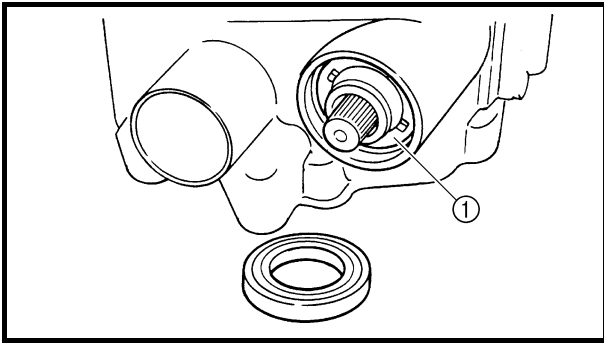


Bearing retainer wrench:
P/N. YM-04128, 90890-04128

CAUTION:

The middle driven shaft bearing retainer has left-handed threads. To loosen the bearing retainer, turn it clockwise.

- Remove the bearing retainer and bearings.



5.Remove:

- Front drive shaft coupling
- Bearing retainer ①
- Bearing

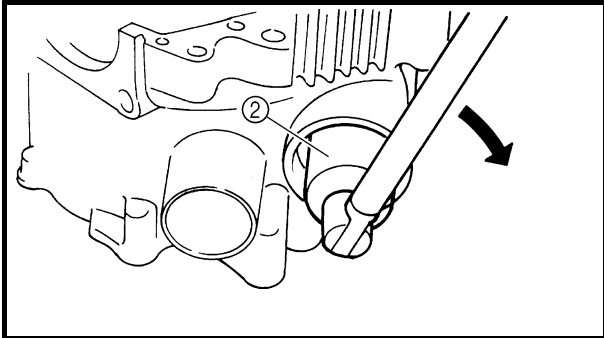
NOTE:

Attach the ring nut wrench ②.



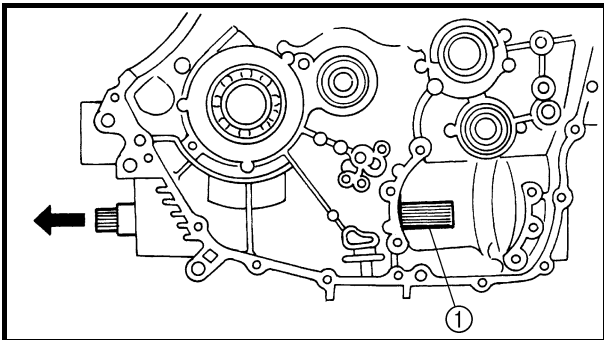
Ring nut wrench:

P/N. YM-38404, 90890-01430



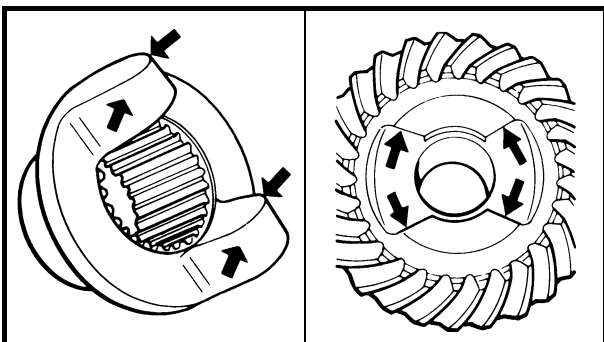
CAUTION:

The middle driven shaft bearing retainer has left-handed threads. To loosen the bearing retainer, turn it clockwise.



6.Remove:

- Middle driven shaft ①
(with bearing)



CHECKING THE PINION GEARS

1.Check:

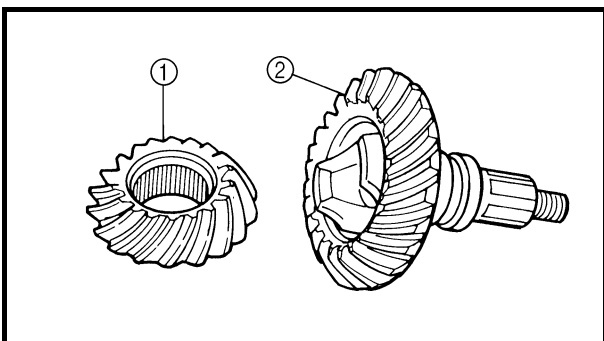
- Damper cam surfaces
Wear/scratches → Replace damper cam and driven pinion gear as a set.

2.Check:

- Damper cam spring
Damage/cracks → Replace.

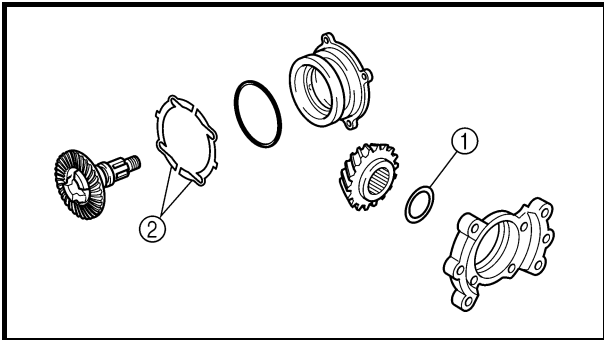
3.Check:

- Gear teeth (drive pinion gear) ①
- Gear teeth (driven pinion gear) ②
Pitting/galling/wear → Replace.





4. Check:
- O-ring
Damage → Replace.
 - Bearings
Pitting/damage → Replace.
5. Check:
- U-joint movement
Roughness → Replace U-joint.



SELECTING THE MIDDLE DRIVE AND DRIVEN GEAR SHIMS

When the drive and driven gear, bearing housing assembly and/or crankcase are replaced, be sure to adjust the gear shims.

1. Select:
- Middle drive gear shim ①
 - Middle driven gear shim ②

Selection steps:

- Position middle drive and driven gear by using shims ① and ② with their respective thickness calculated from information marked on crankcase, bearing housing and drive gear end.

- ① Shim thickness "A"
- ② Shim thickness "B"

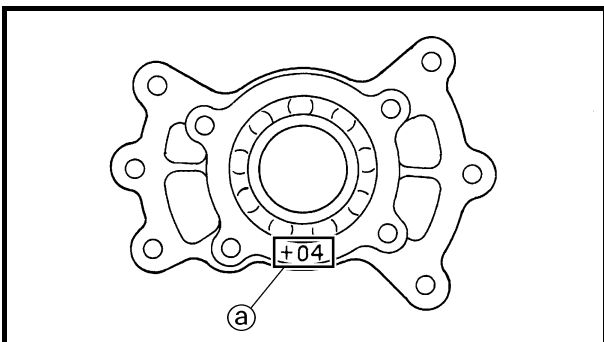
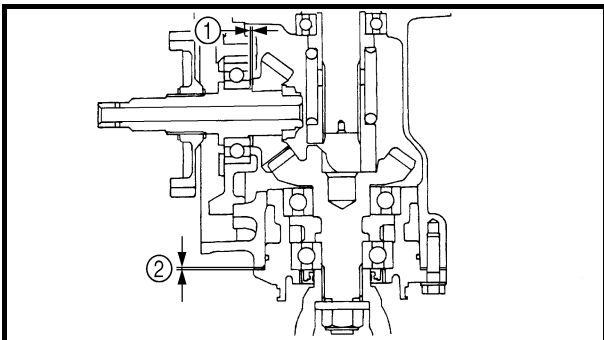
- To find shim thickness "A", use following formula:

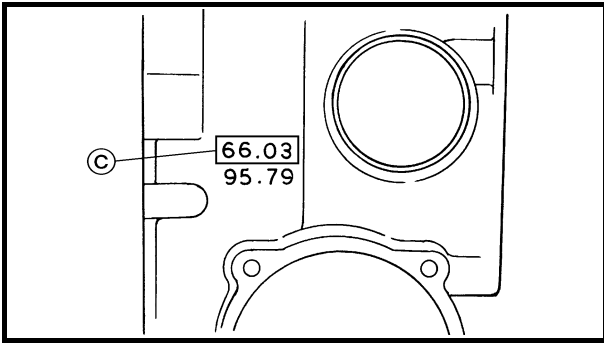
Middle drive pinion gear shim thickness:

$$"A" = C - a - b$$

Where:

- ① a = a numeral (usually a decimal number) on the bearing housing is either added to or subtracted from "10.5".
- ② b = drive pinion gear to driven pinion gear center distance (considered constant "55").
- ③ c = a numeral (usually a decimal number) on the right crankcase specifies a thickness of "66".





Example:


- 1) If the bearing housing is marked "+04", Ⓐ is 10.54.
- 2) Ⓑ is 55
- 3) If the crankcase (right) is marked "66.03", Ⓒ is 66.03.
- 4) Therefore, the shim thickness is 0.47 mm.

$$A = 66.03 - 10.54 - 55 = 0.49$$

- 5) Round off hundredths digit and select appropriate shim(s).
In the example above, the calculated shim thickness is 0.49 mm. The chart instructs you, however, to round off 9 to 10.

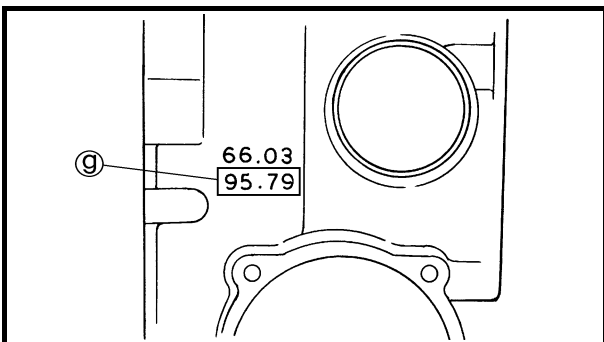
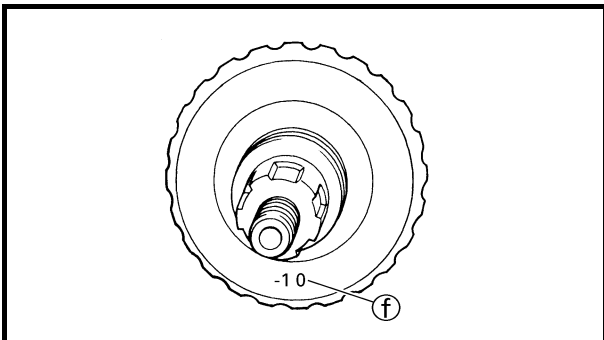
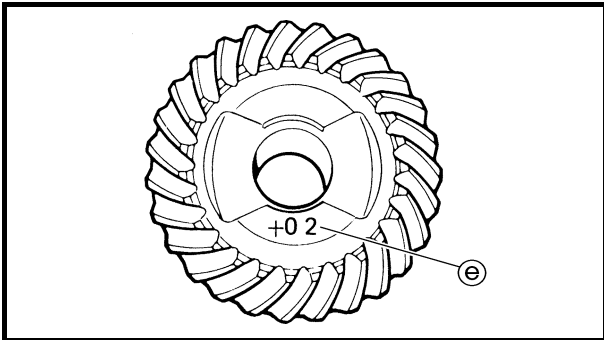
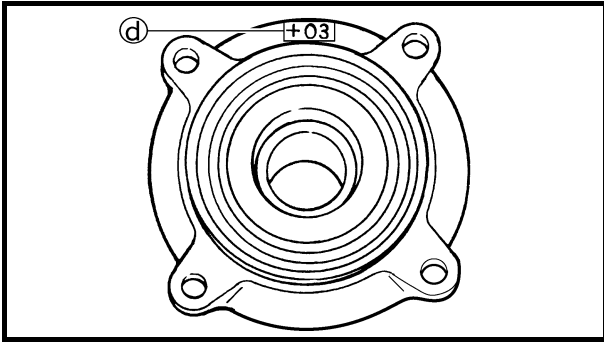
Hundredths	Round value
0, 1, 2	0
3, 4, 5, 6, 7	5
8, 9	10

Shims are supplied in the following thicknesses.

 Middle drive pinion gear shim		
Thickness (mm)	0.10	0.30
	0.15	0.40
	0.20	0.50

- To find shim thickness "B" use the following formula:

<p>Middle driven pinion gear shim thickness: "B" = Ⓓ - Ⓔ + Ⓕ - Ⓖ - 0.05</p>
--



Where:

- ⓓ = a numeral (usually a decimal number) on the bearing housing is either added to or subtracted from “76”.
- ⓔ = a numeral (usually a decimal number) on the middle driven pinion gear is either added to or subtracted from “59”.
- ⓕ = a numeral (usually a decimal number) on the middle driven pinion gear is either added to or subtracted from “79.5”.
- ⓖ = a numeral (usually a decimal number) on the left crankcase specifies a thickness of “95.8”.

Example:

- 1) If the bearing housing is marked “+03”, ⓓ is 76.03.
- 2) If the driven pinion gear is marked “+02”, ⓔ is 59.02.
- 3) If the driven pinion gear is marked “-10”, ⓕ is 79.40.
- 4) If the crankcase (left) is marked “95.79”, ⓖ is 95.79.
- 5) Therefore, the shim thickness is 0.57 mm.

$$B = 76.03 - 59.02 + 79.40 - 95.79 - 0.05 = 0.57$$


- 6) Round off hundredths digit and select appropriate shim(s).

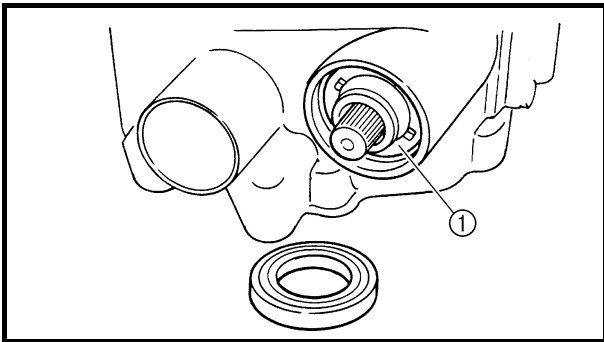
In the example above, the calculated shim thickness is 0.57 mm. The chart instructs you, however, to round off 7 to 5.

Hundredths	Round value
0, 1, 2	0
3, 4, 5, 6, 7	5
8, 9	10



Shims are supplied in the following thickness.


	Middle drive pinion gear shim	
Thickness (mm)	0.10	0.40
	0.15	0.50
	0.20	0.60
	0.30	



INSTALLING THE MIDDLE DRIVEN SHAFT

1. Install:

- Bearing retainer ① 

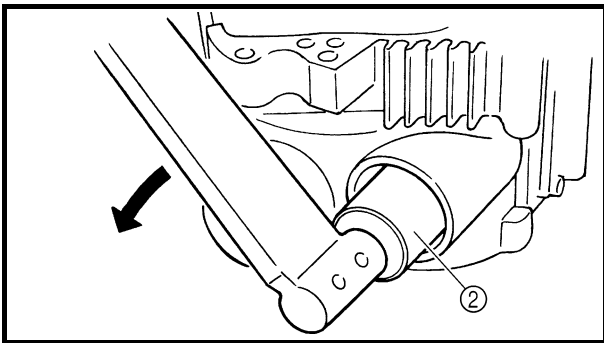
 **80 Nm (8.0 m • kg, 58 ft • lb)**

NOTE:

Attach the ring nut wrench ②.



Ring nut wrench:
P/N. YM-38404, 90890-01430



CAUTION:

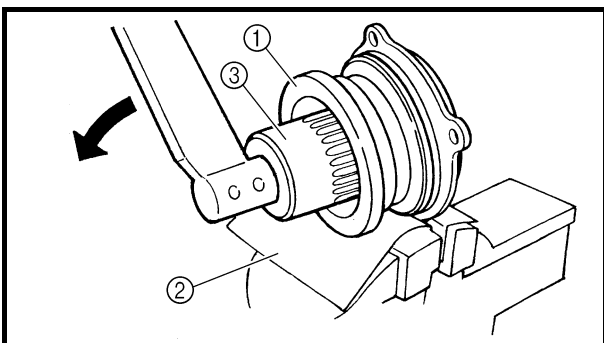
The middle driven shaft bearing retainer has left-handed threads. To tighten the bearing retainer, turn it counterclockwise.

2. Install:

- Bearing retainer ① 

Installation steps:

- Attach the folded rag ②.
- Secure the bearing housing edge in the vise.
- Attach the bearing retainer wrench ③.



Bearing retainer wrench:
P/N. YM-04128, 90890-04128



- Tighten the bearing retainer.

CAUTION:

The middle driven shaft bearing retainer has left-handed threads. To tighten the bearing retainer, turn it counterclockwise.



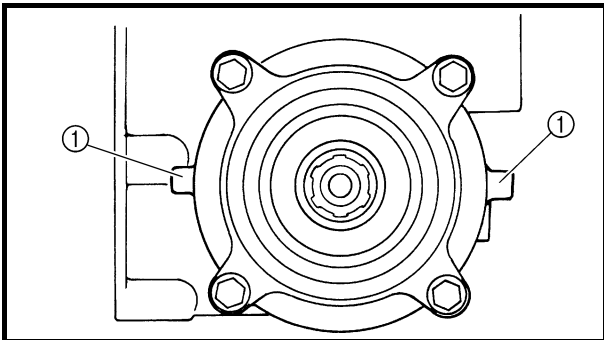
Bearing retainer:
110 Nm (11.0 m • kg, 80 ft • lb)

3. Install:

- Shims ①
- Bearing housing

NOTE:

Install the shims so that the tabs are positioned as shown in the illustration.



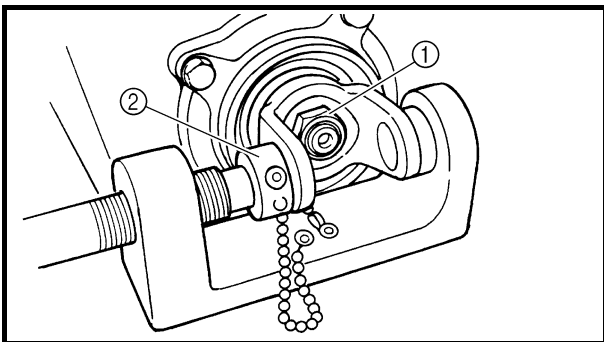
4. Install:

- Universal joint yoke (rear side)
- Washer
- Nut ①

97 Nm (9.7 m • kg, 70 ft • lb)

NOTE:

Use the universal joint holder ② to hold the yoke.



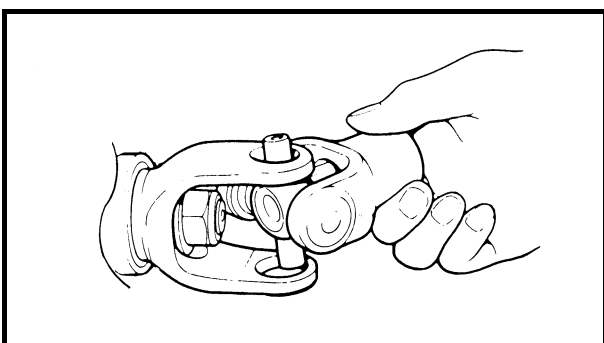
Universal joint holder:
P/N. YM-04062, 90890-04062

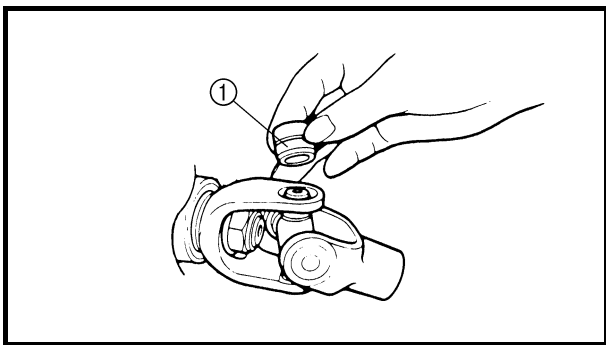
5. Install:

- Universal joint

Installation steps:

- Install the opposite yoke into the U-joint.
- Apply wheel bearing grease to the bearings.

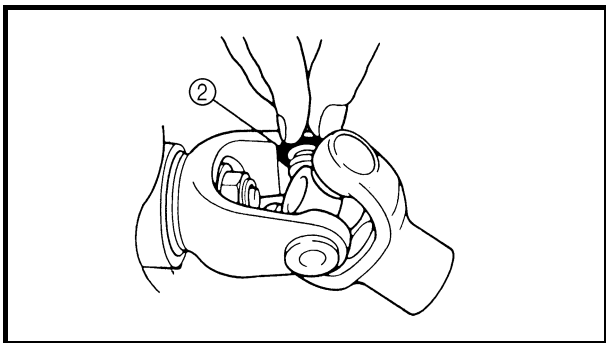




- Install each bearings ① onto the yoke.

CAUTION:

Check each bearing. The needles can easily fall out of their races. Slide the yoke back and forth on the bearings; the yoke will not go all the way onto a bearing if a needle is out of place.

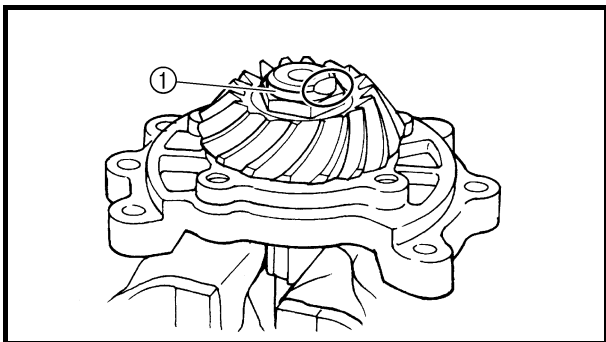


- Press each bearing into the U-joint using a suitable socket.

NOTE:

The bearing must be inserted far enough into the U-joint so that the circlip can be installed.

- Install the circlips ② into the groove of each bearing.



INSTALLING THE MIDDLE DRIVE SHAFT

1. Tighten:

- Nut (middle drive pinion gear) ① **New**

130 Nm (13.0 m • kg, 94 ft • lb)

NOTE:

Secure the middle drive shaft in a vise with a clean rag.

2. Lock the threads with a drift punch.

MEASURING THE MIDDLE GEAR BACKLASH

1. Measure:

- Gear lash



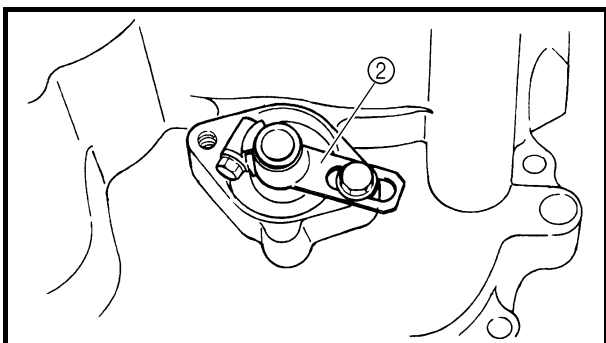
**Middle gear lash:
0.1 ~ 0.3 mm (0.004 ~ 0.012 in)**

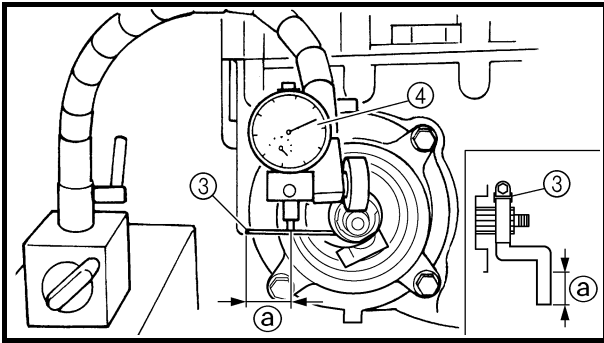
Measurement steps:

- Temporarily install the left crankcase.
- Attach the pinion gear fix clamp ② to the middle drive shaft.



**Pinion gear fix clamp:
P/N. YM-04129, 90890-04129**





- Attach the gear lash measurement tool ③ and dial gauge ④.



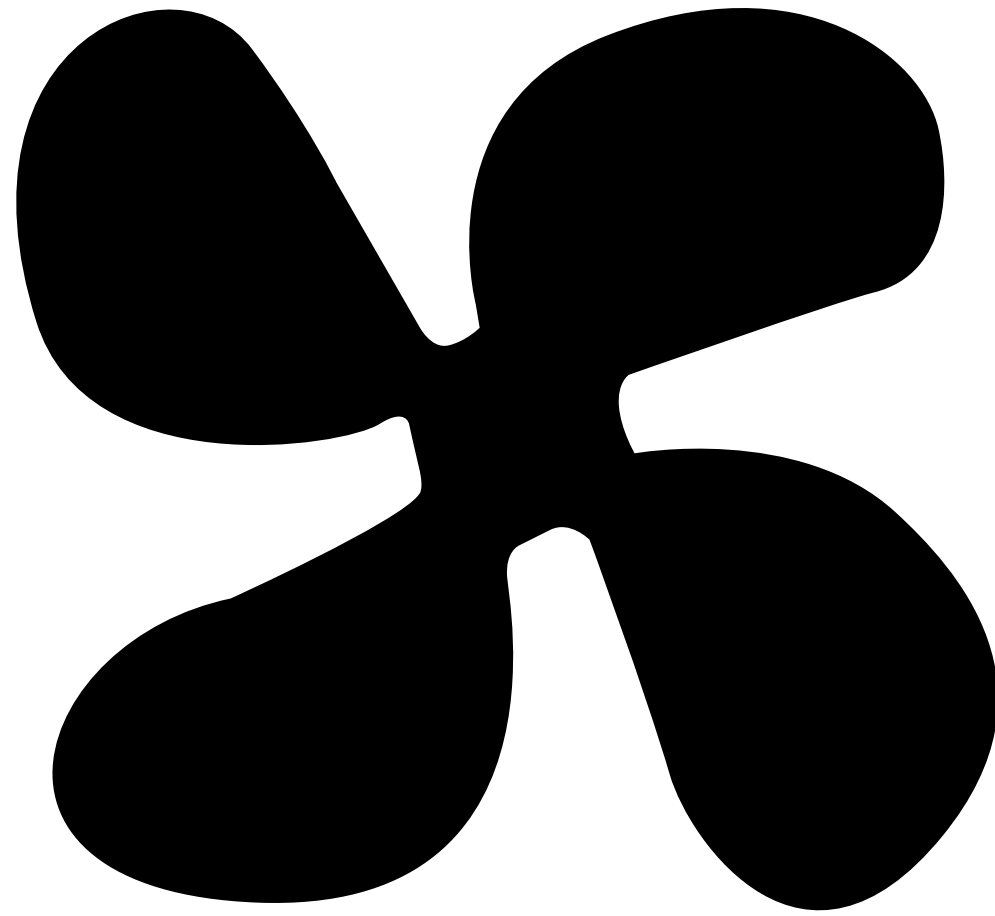
**Gear lash measurement tool:
P/N. YM-01467, 90890-01467**

- ⓐ Measuring point is 8.12 mm (0.32 in)
- Measure the gear lash while rotating the middle driven shaft back and forth.

NOTE:

Measure the gear lash at 4 positions. Rotate the middle driven gear 90° each time.

- If the gear lash is incorrect, adjust the gear lash with middle driven pinion gear shims and/or middle drive pinion gear shims.

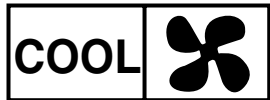


COOL

5

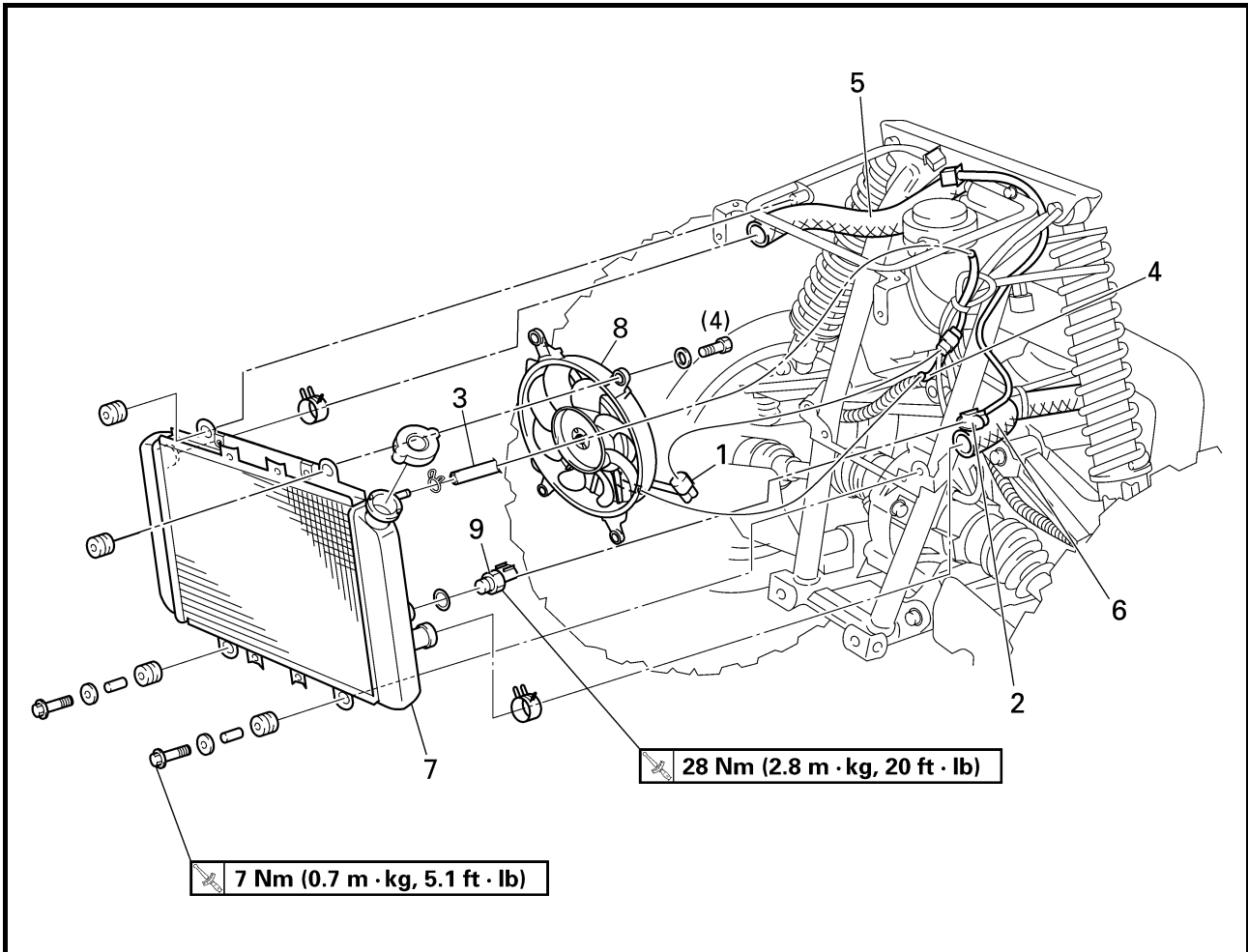
CHAPTER 5. COOLING SYSTEM

RADIATOR	5-1
CHECKING THE RADIATOR	5-3
INSTALLING THE RADIATOR	5-4
THERMOSTAT	5-5
CHECKING THE THERMOSTAT	5-6
INSTALLING THE THERMOSTAT	5-6
WATER PUMP	5-7
DISASSEMBLING THE WATER PUMP	5-9
CHECKING THE WATER PUMP	5-9
ASSEMBLING THE WATER PUMP	5-10

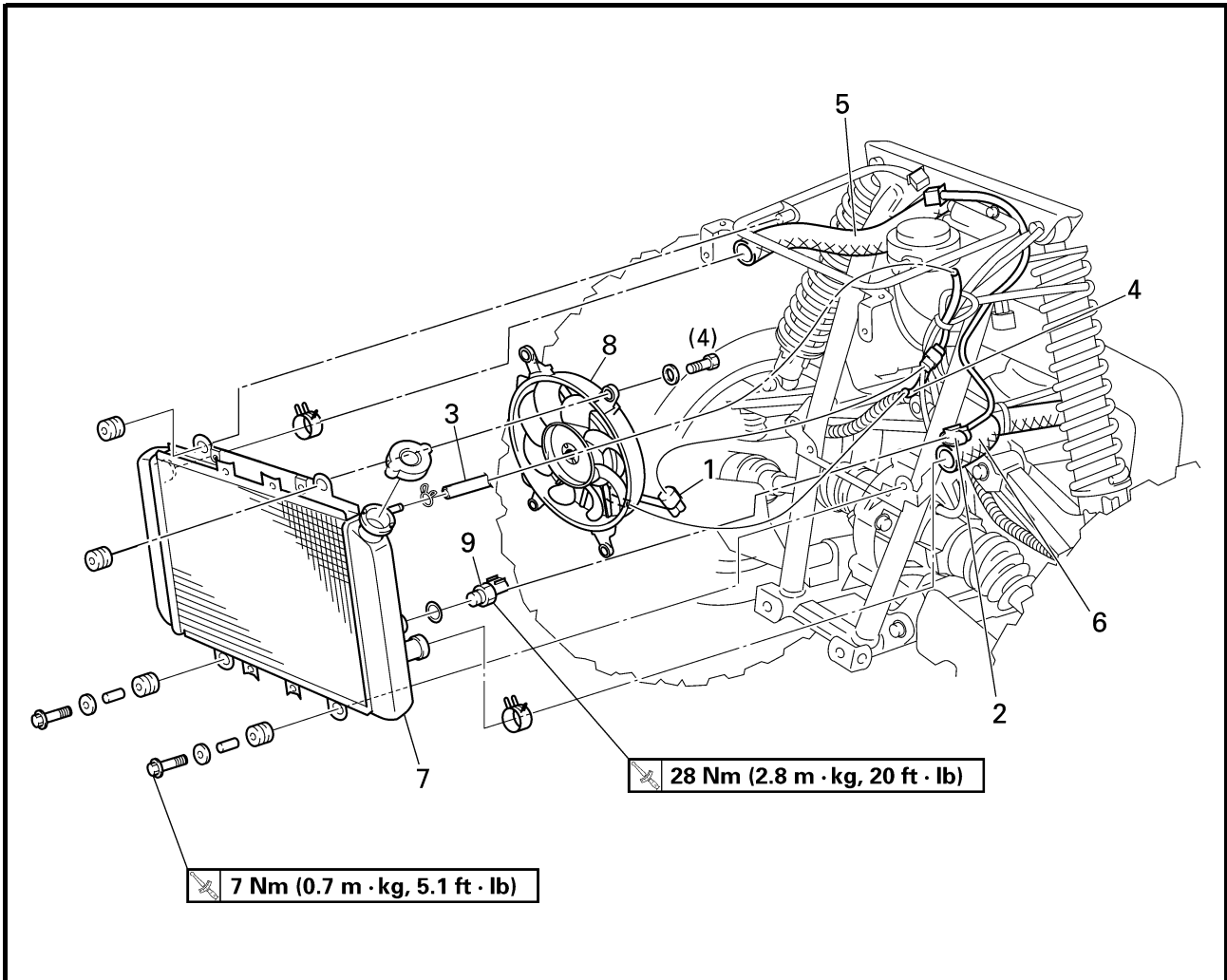


COOLING SYSTEM

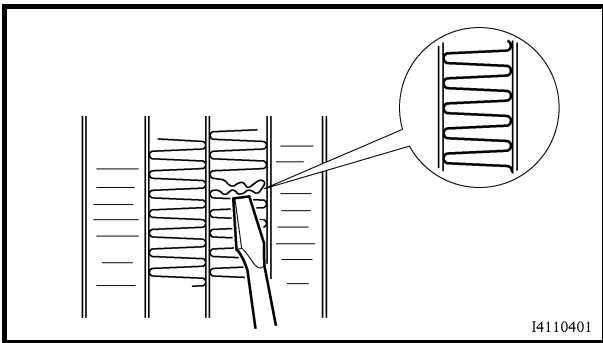
RADIATOR



Order	Job name/Part name	Q'ty	Remarks
	Removing the radiator		Remove the parts in the order below.
	Seat and fuel tank side panels		Refer to "SEAT AND SIDE PANELS" in CHAPTER 3.
	Front carrier, front bumper and front fender		Refer to "FRONT CARRIER, FRONT BUMPER AND FRONT FENDER" in CHAPTER 3.
	Left footrest board		Refer to "FOOTREST BOARDS" in CHAPTER 3.
	Coolant		Drain. Refer to "CHANGING THE COOLANT" in CHAPTER 3.
1	Radiator fan coupler	1	Disconnect.
2	Thermo switch coupler	1	Disconnect.
3	Coolant reservoir hose	1	Disconnect.
4	Radiator fan breather hose	1	



Order	Job name/Part name	Q'ty	Remarks
5	Radiator inlet hose	1	Disconnect.
6	Radiator outlet hose	1	Disconnect.
7	Radiator	1	
8	Radiator fan	1	
9	Thermo switch (radiator)	1	
			For installation, reverse the removal procedure.



I4110401

CHECKING THE RADIATOR

1. Check:

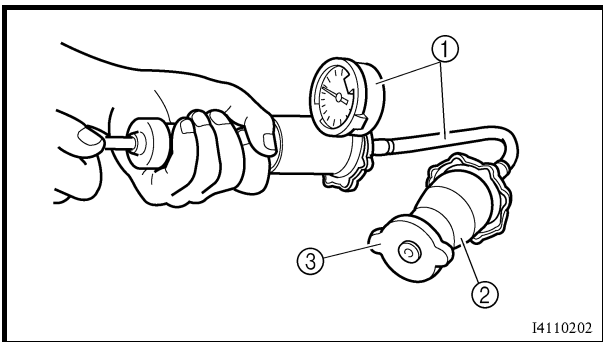
- Radiator fins
 - Obstruction → Clean.
 - Apply compressed air to the rear of the radiator.
 - Damage → Repair or replace the radiator.

NOTE: _____

Straighten any flattened fins with a thin, flat-head screwdriver.

2. Check:

- Radiator hoses
 - Cracks/damage → Replace.



I4110202

3. Measure:

- Radiator cap opening pressure
 - Below the specified pressure → Replace the radiator cap.

Radiator cap opening pressure:
 93.7 ~ 122.6 kPa
 (0.937 ~ 1.226 kg/cm²,
 13.32 ~ 17.43 psi)

Measurement steps:

- Install the radiator cap tester ① and adapter ② onto the radiator cap ③.

Radiator cap tester:
 P/N. YU-24460-01, 90890-01325
Adapter:
 P/N. YU-33984, 90890-01352

- Apply the specified pressure for ten seconds and make sure that there is no drop in pressure.

4. Check:

- Radiator fan
 - Damage → Replace.
 - Malfunction → Check and repair.
 - Refer to “COOLING SYSTEM” in CHAPTER 9.

**INSTALLING THE RADIATOR****1.Fill:**

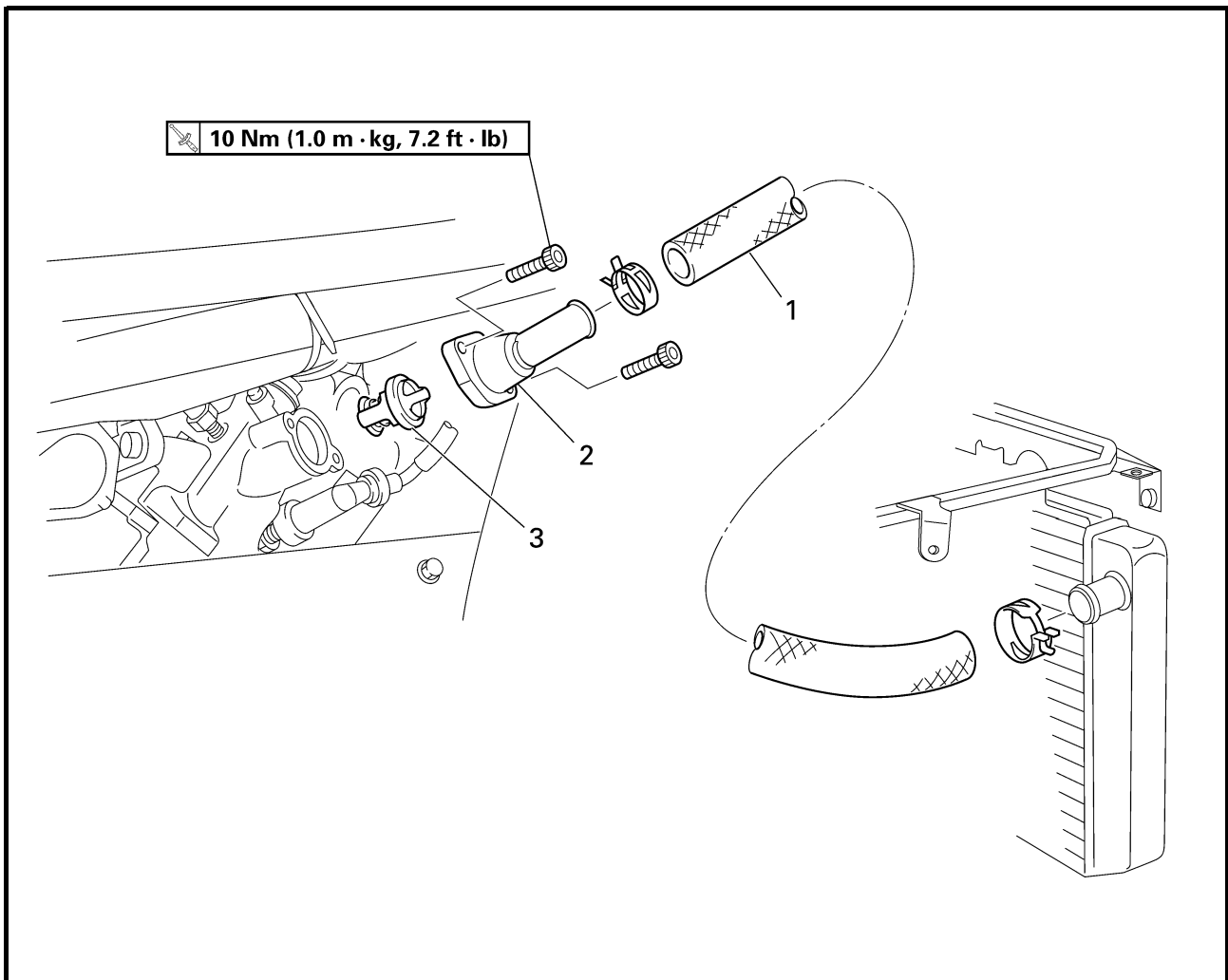
- Cooling system
(with the specified amount of the recommended coolant)
Refer to “CHANGING THE COOLANT” in CHAPTER 3.

2.Check:

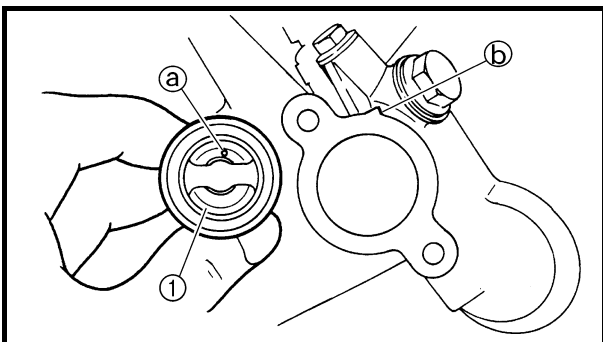
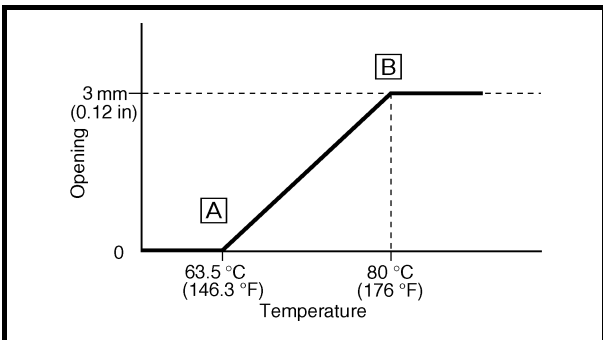
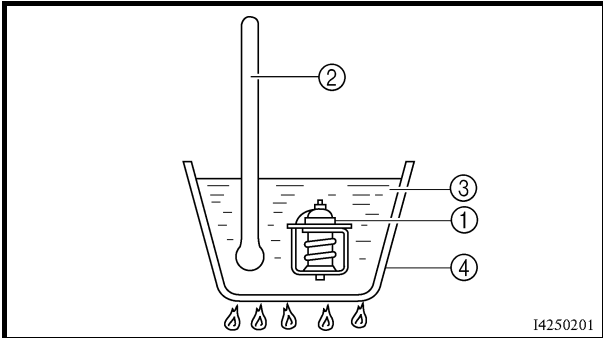
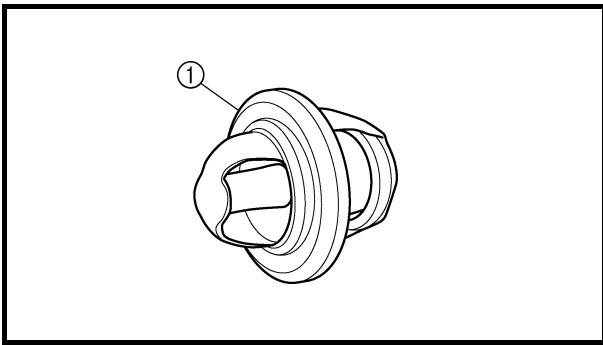
- Cooling system
Leaks → Repair or replace any faulty part.



THERMOSTAT



Order	Job name/Part name	Q'ty	Remarks
	Removing the thermostat		Remove the parts in the order below.
	Seat and fuel tank side panel (right)		Refer to "SEAT AND SIDE PANELS" in CHAPTER 3.
	Coolant		Drain. Refer to "CHANGING THE COOLANT" in CHAPTER 3.
1	Radiator inlet hose	1	
2	Thermostat cover	1	
3	Thermostat	1	
			For installation, reverse the removal procedure.



CHECKING THE THERMOSTAT

1. Check:

- Thermostat ①
Does not open at 63.5 ~ 66.5 °C (146.3 ~ 151.7 °F) → Replace.

Checking steps:

- Suspend the thermostat in a container filled with water.
- Slowly heat the water.
- Place a thermometer in the water.
- While stirring the water, observe the thermostat and thermometer's indicated temperature.

- ① Thermostat
- ② Thermometer
- ③ Water
- ④ Container
- Ⓐ Fully closed
- Ⓑ Fully open

NOTE:

_____ If the accuracy of the thermostat is in doubt, replace it. A faulty thermostat could cause serious overheating or overcooling. _____

2. Check:

- Thermostat cover
Cracks/damage → Replace.

INSTALLING THE THERMOSTAT

1. Install:

- Thermostat ①
- Thermostat cover

NOTE:

_____ Install the thermostat with its breather hole (a) toward the projection (b). _____

2. Fill:

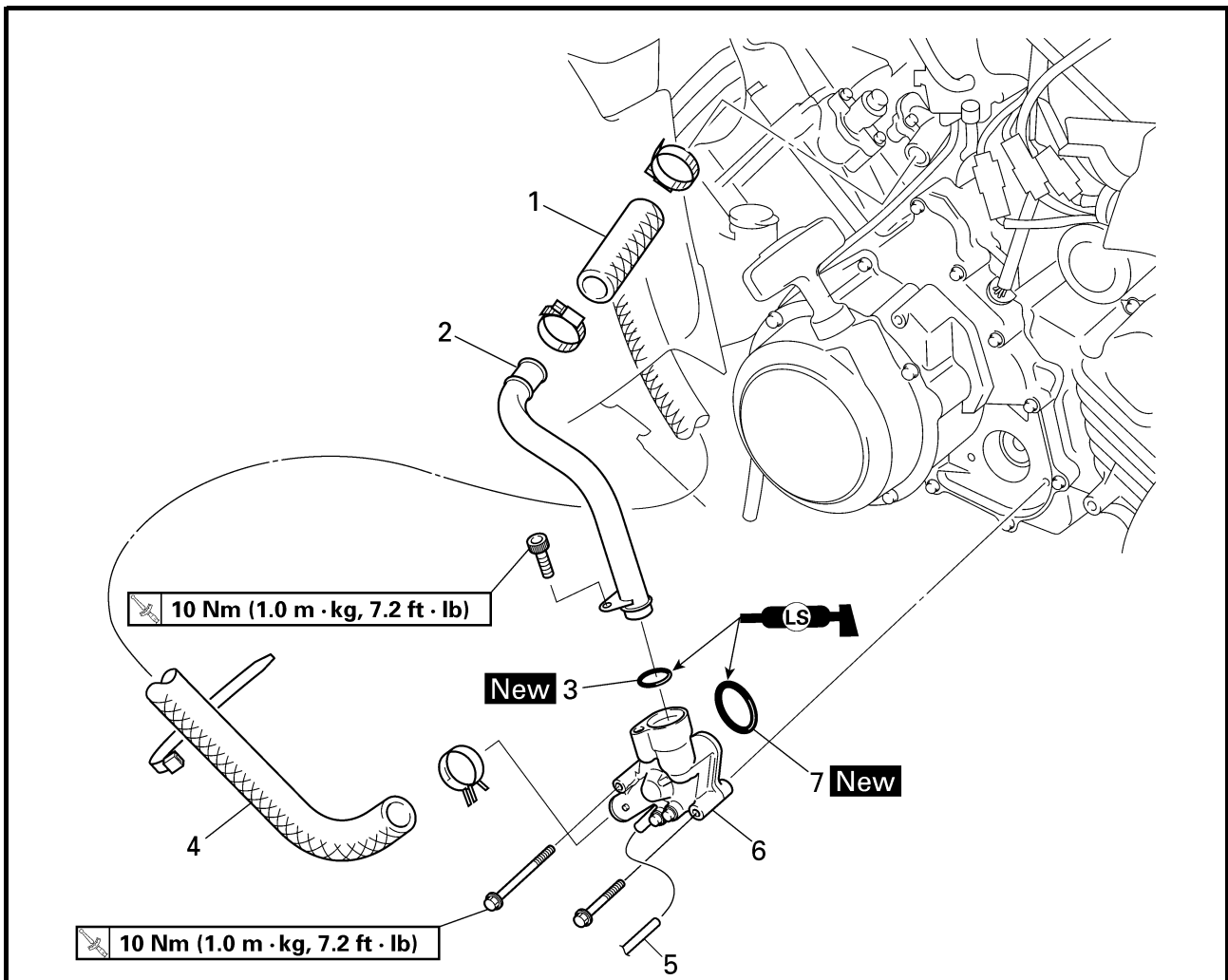
- Cooling system
(with the specified amount of the recommended coolant)
Refer to "CHANGING THE COOLANT" in CHAPTER 3.

3. Check:

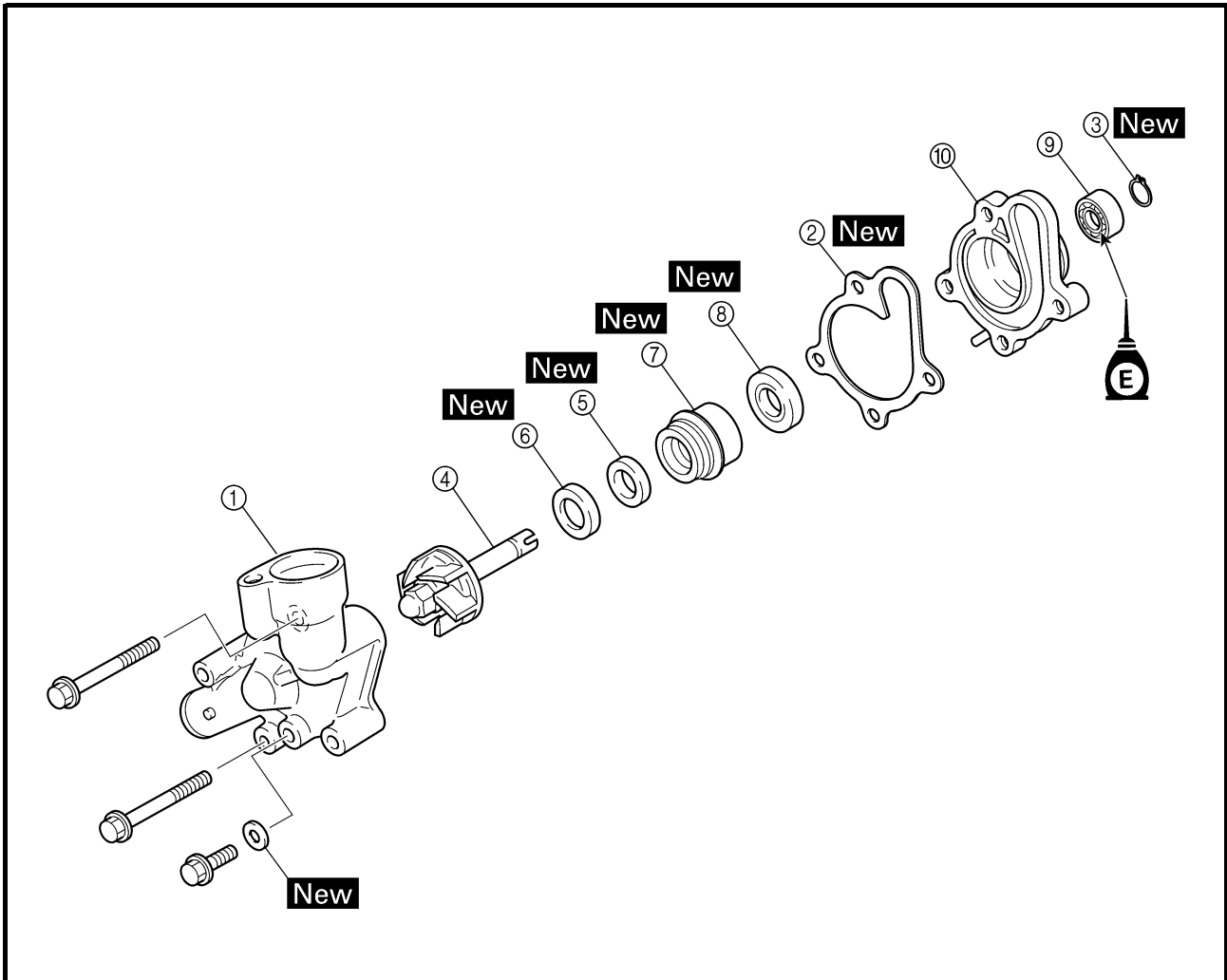
- Cooling system
Leak → Repair or replace any faulty part.



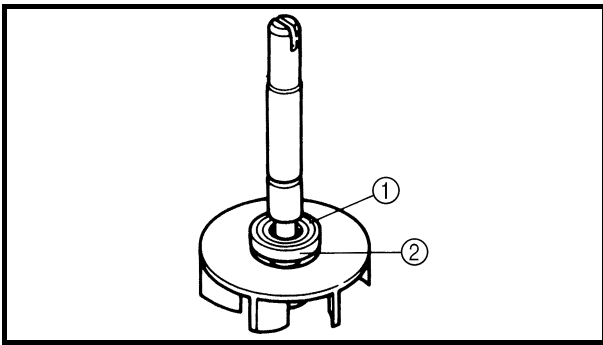
WATER PUMP



Order	Job name/Part name	Q'ty	Remarks
	Removing the water pump		Remove the parts in the order below.
	Seat, fuel tank side panel (left) and engine side cover		Refer to "SEAT AND SIDE PANELS" in CHAPTER 3.
	Left footrest board		Refer to "FOOTREST BOARDS" in CHAPTER 3.
	Coolant		Drain. Refer to "CHANGING THE COOLANT" in CHAPTER 3.
1	Water pump outlet hose	1	
2	Water pump outlet pipe	1	
3	O-ring	1	
4	Radiator outlet hose	1	
5	Water pump breather hose	1	
6	Water pump assembly	1	
7	O-ring	1	
			For installation, reverse the removal procedure.



Order	Job name/Part name	Q'ty	Remarks
	Disassembling the water pump		Remove the parts in the order below.
①	Water pump housing cover	1	
②	Gasket	1	
③	Circlip	1	
④	Impeller	1	
⑤	Rubber damper holder	1	
⑥	Rubber damper	1	
⑦	Water pump seal	1	
⑧	Oil seal	1	
⑨	Bearing	1	
⑩	Water pump housing	1	
			For assembly, reverse the disassembly procedure.



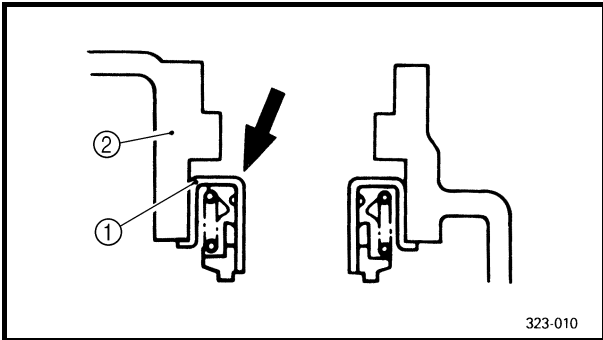
DISASSEMBLING THE WATER PUMP

1.Remove:

- Rubber damper holder ①
- Rubber damper ②
(from the impeller, with a thin, flathead screwdriver)

NOTE: _____

Do not scratch the impeller shaft.



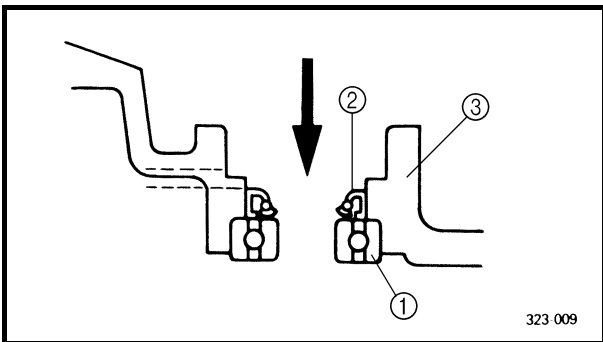
2.Remove:

- Water pump seal ①

NOTE: _____

Tap out the water pump seal from the inside of the water pump housing.

- ② Water pump housing



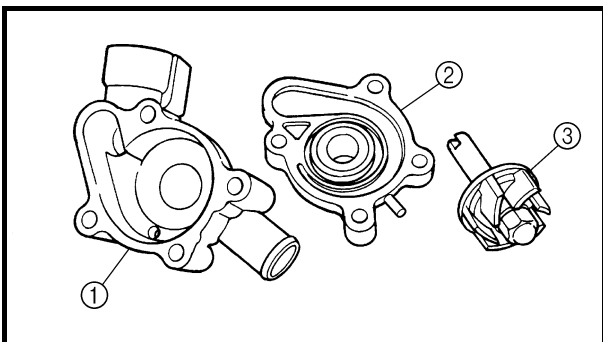
3.Remove:

- Oil seal ①
- Bearing ②

NOTE: _____

Tap out the bearing and oil seal from the outside of the water pump housing.

- ③ Water pump housing



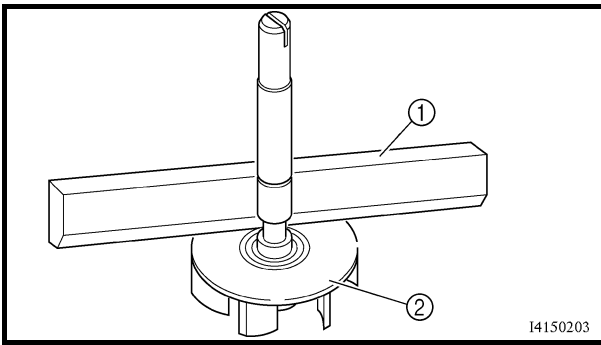
CHECKING THE WATER PUMP

1.Check:

- Water pump housing cover ①
- Water pump housing ②
- Impeller ③
Cracks/damage/wear → Replace.

2.Check:

- Water pump outlet pipe
Cracks/damage/wear → Replace.



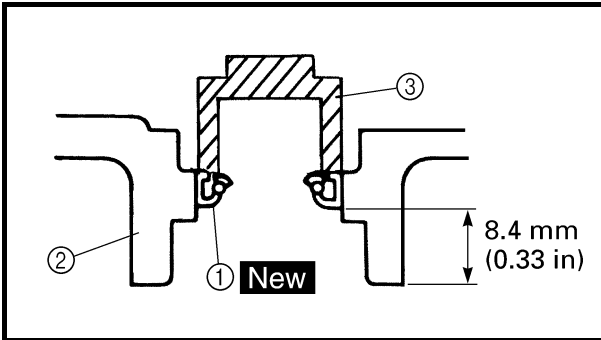
3.Measure:

- Impeller shaft tilt
Out of specification → Replace.



Max. impeller shaft tilt:
0.15 mm (0.006 in)

- ① Straightedge
- ② Impeller



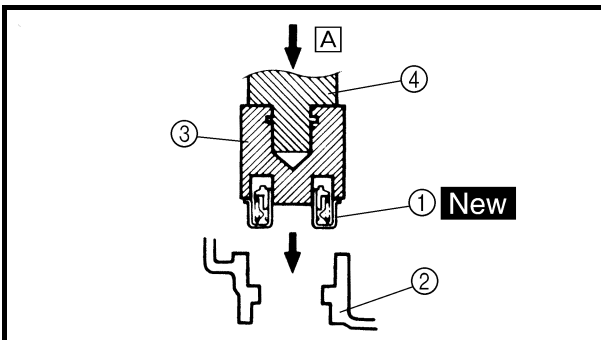
ASSEMBLING THE WATER PUMP

1.Install:

- Oil seal ① **New**
(into the water pump housing ②)

NOTE:

Install the oil seal with a socket ③ that matches its outside diameter.



2.Install:

- Water pump seal ① **New**
(into the water pump housing ②)

NOTE:

Before installing the water pump seal ①, apply tap water or coolant onto its outer surface.

CAUTION:

Never lubricate the water pump seal surface with oil or grease.

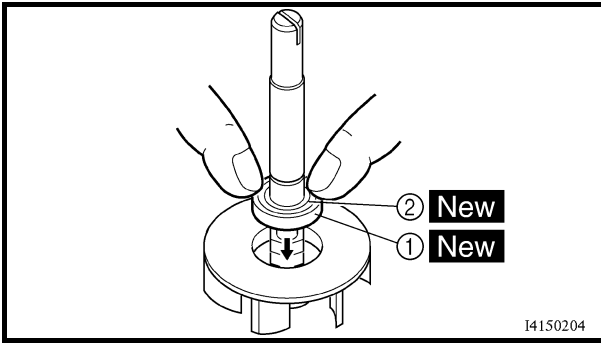
NOTE:

Install the water pump seal with the special tools.



Mechanical seal installer ③:
P/N. YM-33221, 90890-04078
Middle driven shaft bearing driver ④:
P/N. YM-04058-1, 90890-04058

Ⓐ Push down.



3.Install:

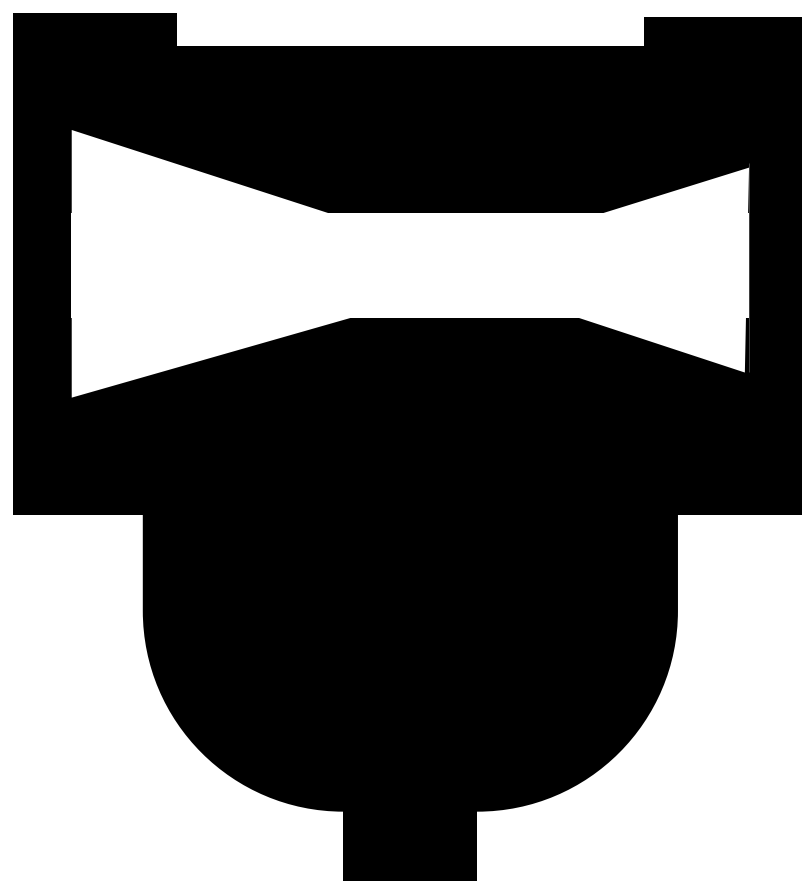
- Rubber damper ① **New**
- Rubber damper holder ② **New**

NOTE:

Before installing the rubber damper, apply tap water or coolant onto its outer surface.

CAUTION:

Make sure that the rubber damper and rubber damper holder are flush with the impeller.



CARB

6

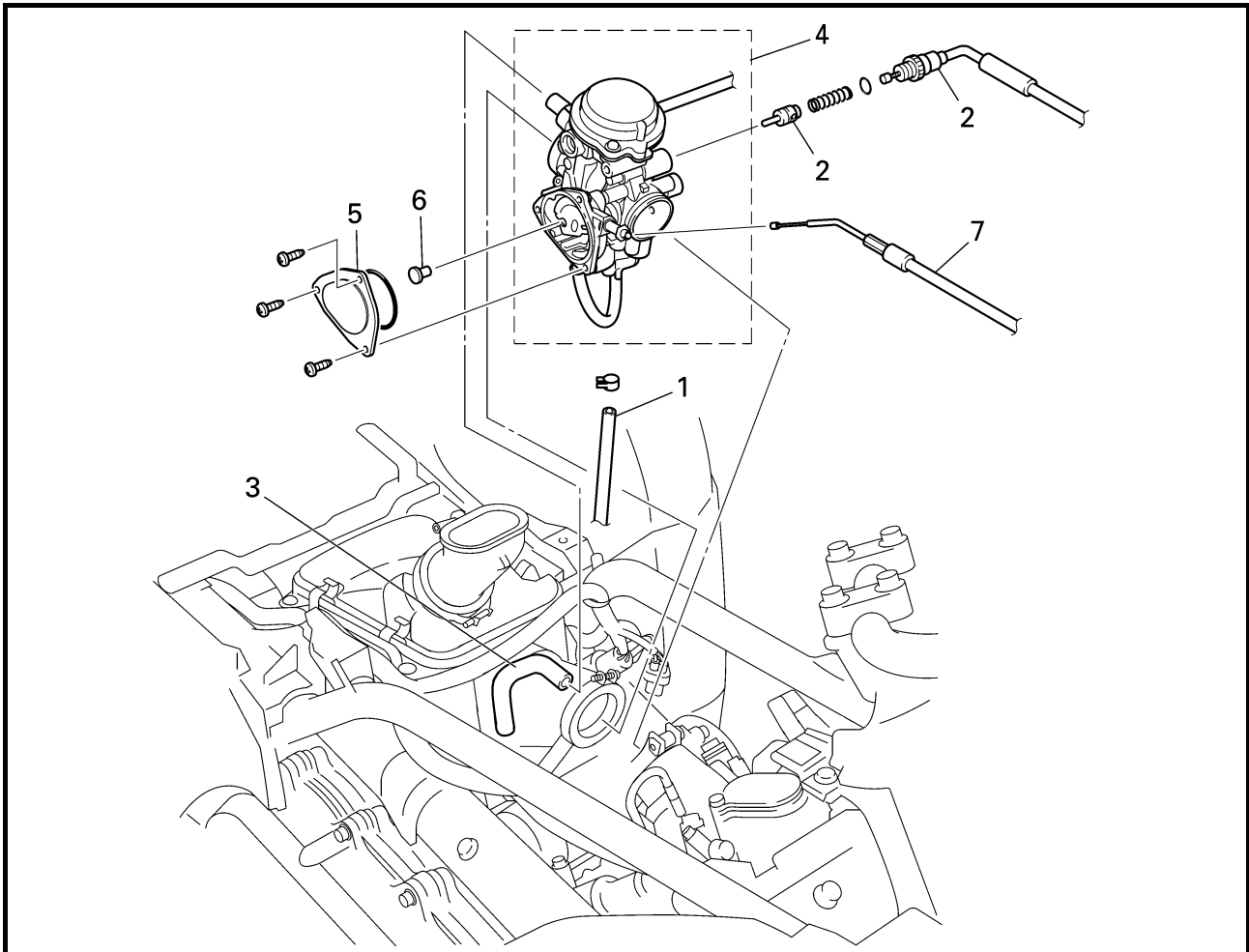
CHAPTER 6. CARBURETION

CARBURETOR	6-1
CHECKING THE CARBURETOR	6-4
ASSEMBLING THE CARBURETOR	6-6
ADJUSTING THE FUEL LEVEL	6-7

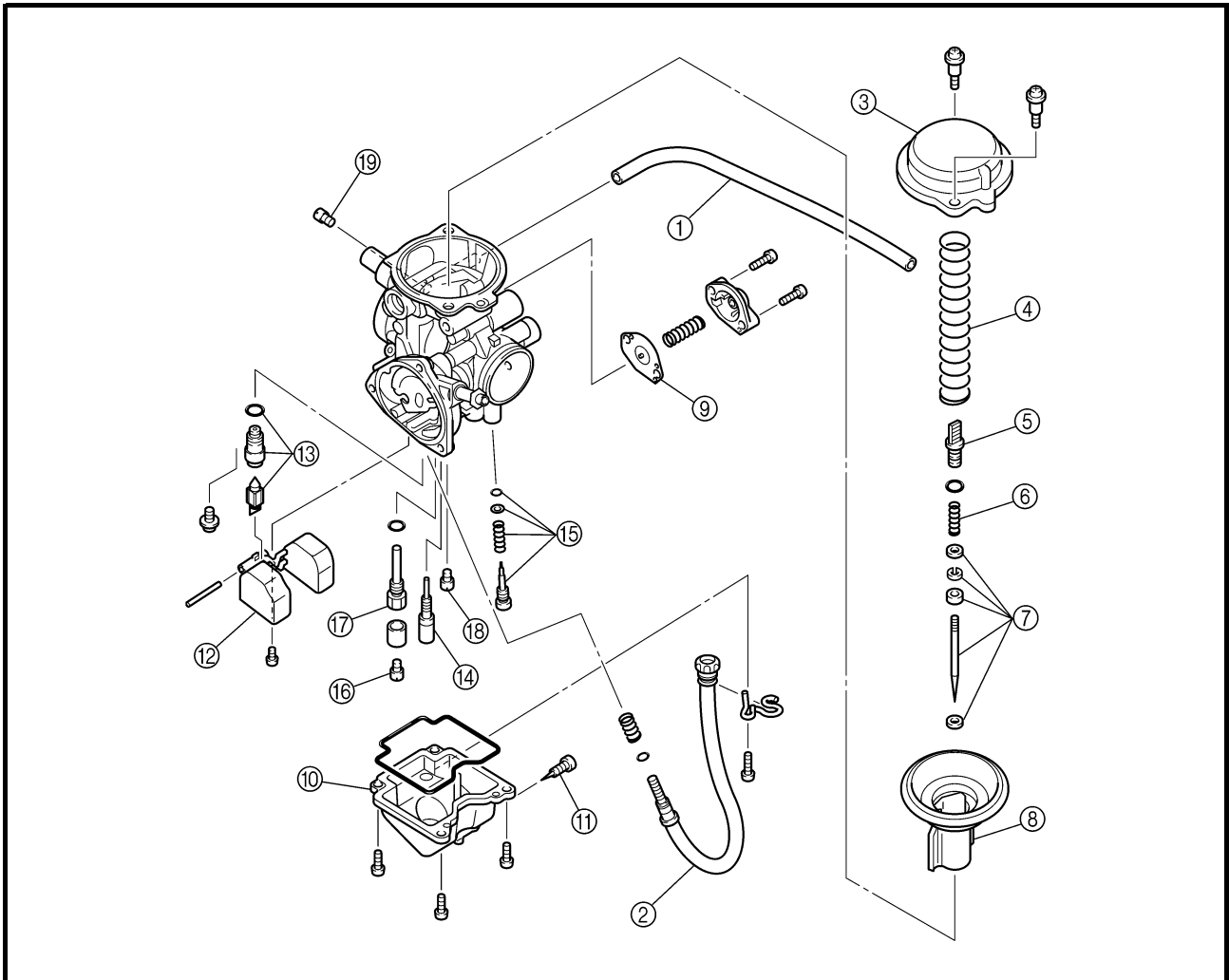


CARBURETION

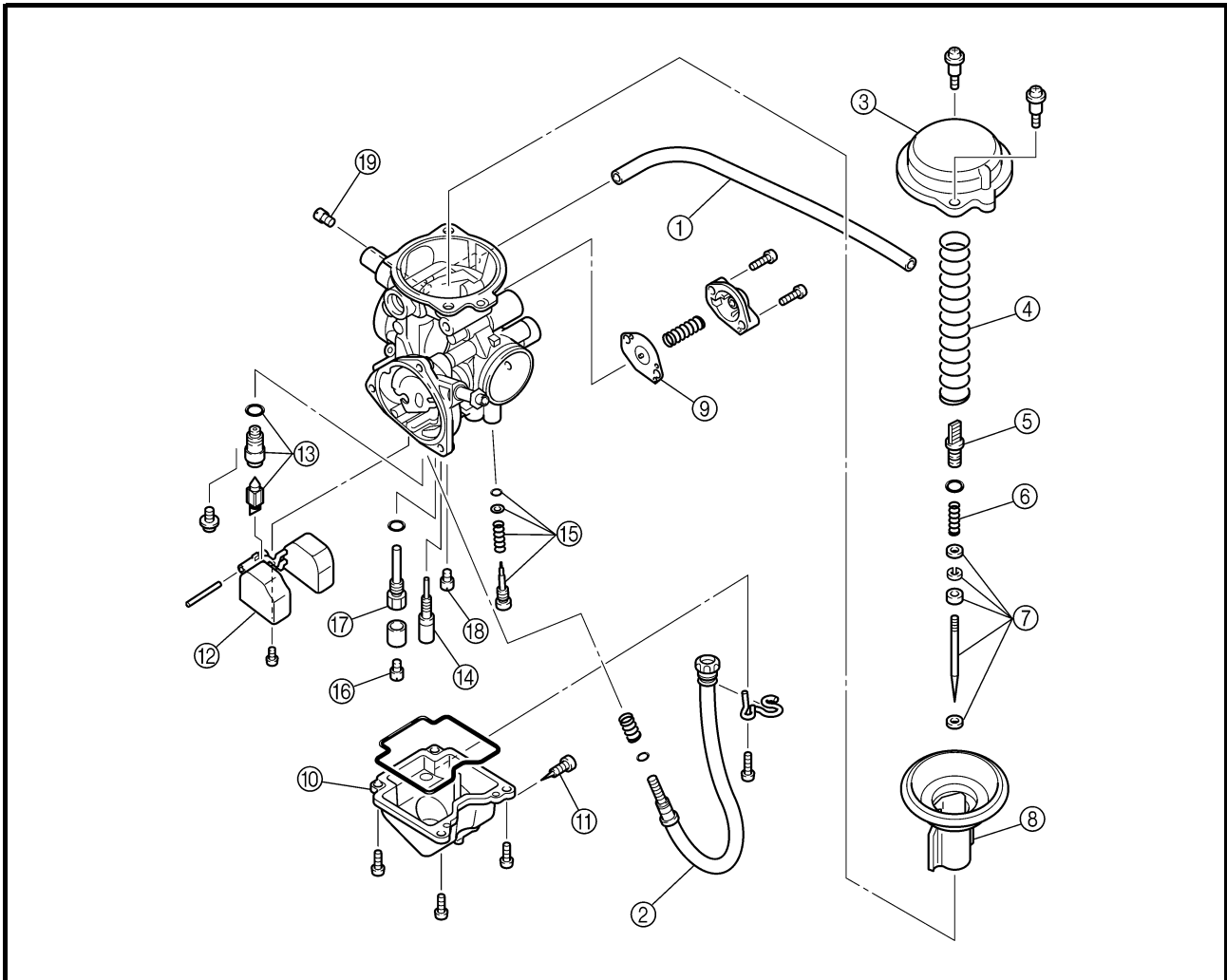
CARBURETOR



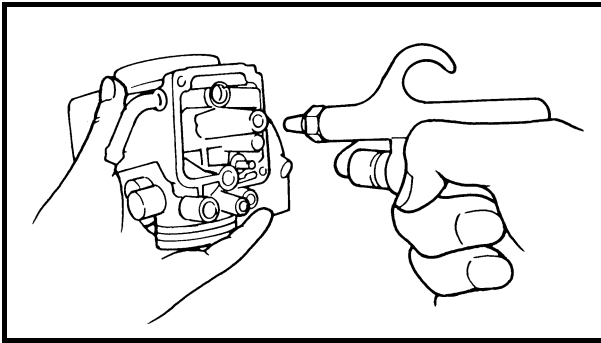
Order	Job name/Part name	Q'ty	Remarks
	Removing the carburetor		Remove the parts in the order below. Refer to "SEAT, CARRIERS, FENDERS AND FUEL TANK" in CHAPTER 3.
1	Seat/fuel tank side panels/fuel tank/ rubber cover		
1	Drain hose	1	
2	Starter cable/starter plunger	1/1	
3	Vacuum chamber breather hose	1	
4	Carburetor assembly	1	
5	Throttle valve cover	1	
6	Throttle cable end	1	
7	Throttle cable	2	NOTE: _____ After removing the carburetor assembly, remove the throttle cable. _____ For installation, reverse the removal procedure.



Order	Job name/Part name	Q'ty	Remarks
	Disassembling the carburetor		Remove the parts in the order below.
①	Float chamber air vent hose	1	
②	Throttle stop screw	1	
③	Vacuum chamber cover	1	
④	Spring	1	
⑤	Jet needle holder	1	
⑥	Spring	1	
⑦	Jet needle set	1	
⑧	Piston valve	1	
⑨	Coasting enricher	1	
⑩	Float chamber	1	
⑪	Drain screw	1	
⑫	Float	1	Refer to "ASSEMBLING THE CARBURETOR".
⑬	Needle valve set	1	



Order	Job name/Part name	Q'ty	Remarks
⑭	Pilot jet	1	Refer to "ASSEMBLING THE CARBURETOR".
⑮	Pilot screw set	1	
⑯	Main jet	1	
⑰	Needle jet	1	
⑱	Pilot air jet	1	
			For assembly, reverse the disassembly procedure.



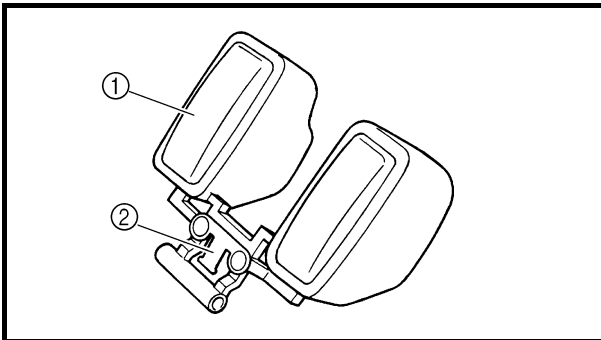
CHECKING THE CARBURETOR

1. Check:

- Carburetor body
Cracks/damage → Replace.
- Fuel passage
Contamination → Clean as indicated.
- Carburetor body
Contamination → Clean.

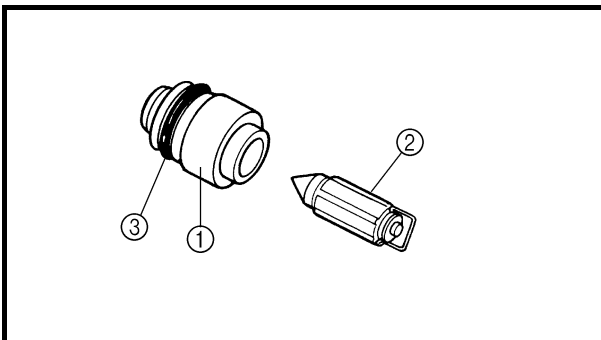
Cleaning steps:

- Wash the carburetor in a petroleum-based solvent.
(Do not use any caustic carburetor cleaning solution.)
- Blow out all of the passages and jets with compressed air.



2. Check:

- Float ①
- Float tang ②
Damage → Replace.

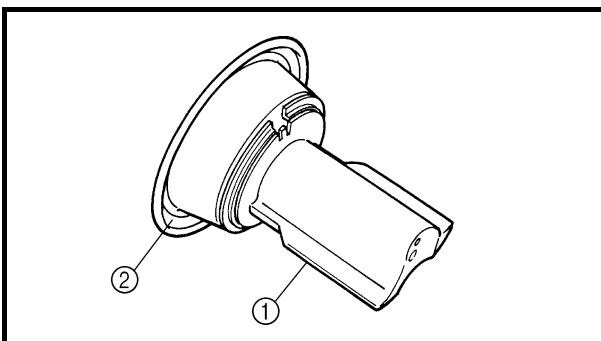


3. Check:

- Valve seat ①
- Needle valve ②
- O-ring ③
Contamination/wear/damage → Replace as a set.

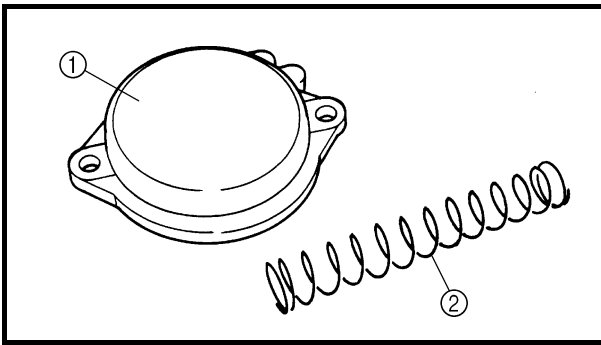
NOTE:

Always replace the needle valve and valve seat as a set.



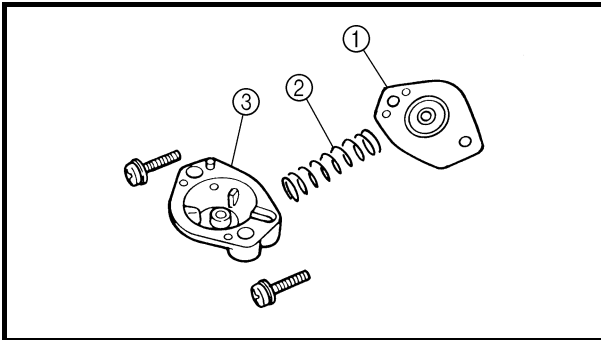
4. Check:

- Piston valve ①
Scratches/wear/damage → Replace.
- Rubber diaphragm ②
Tears → Replace.



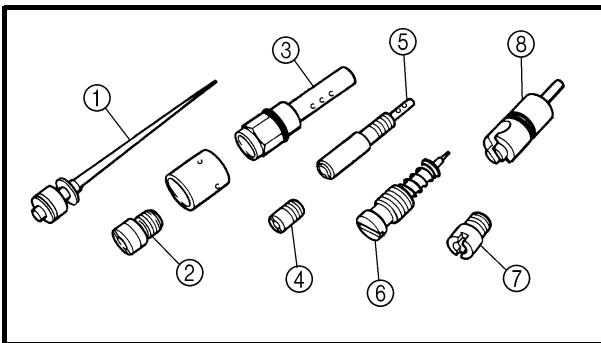
5.Check:

- Vacuum chamber cover ①
 - Spring ②
- Cracks/damage → Replace.



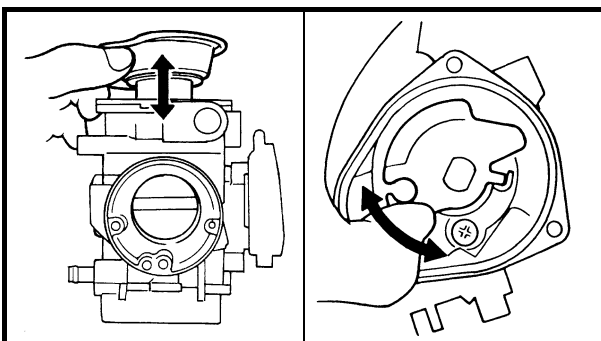
6.Check:

- Diaphragm (coasting enricher) ①
 - Spring ②
 - Cover ③
- Tears (diaphragm) /damage → Replace.



7.Check:

- Jet needle ①
 - Main jet ②
 - Needle jet ③
 - Pilot air jet ④
 - Pilot jet ⑤
 - Pilot screw set ⑥
 - Starter jet ⑦
 - Starter plunger ⑧
- Bends/wear/damage → Replace.
Blockage → Blow out the jets with compressed air.



8.Check:

- Free movement (piston valve)
- Sticks → Replace the piston valve guide and the piston valve.
Insert the piston valve into the carburetor body, and check for free movement.

9.Check:

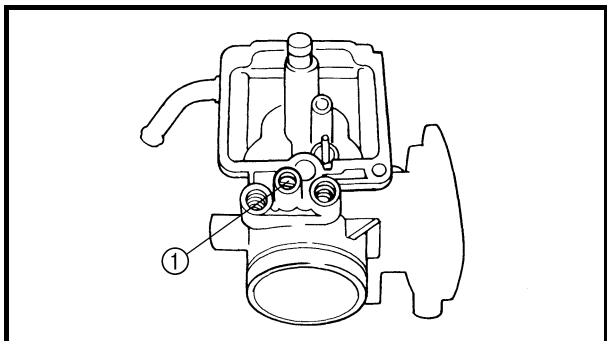
- Free movement (throttle valve)
- Sticks → Replace.



ASSEMBLING THE CARBURETOR

CAUTION:

Before reassembling, wash all of the parts in a clean petroleum-based solvent.

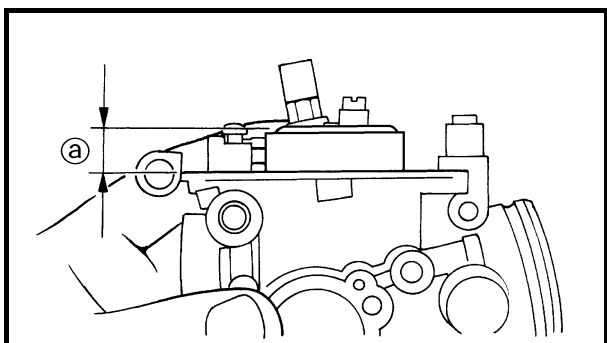


1. Install:

- Pilot screw ①



Pilot screw setting:
2-1/2 turns out



2. Measure:

- Float height ②
- Out of specification → Adjust.



Float height (F.H.):
13 mm (0.51 in)

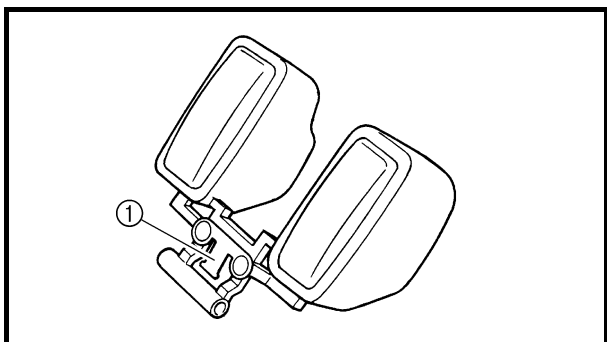
Measurement and adjustment steps:

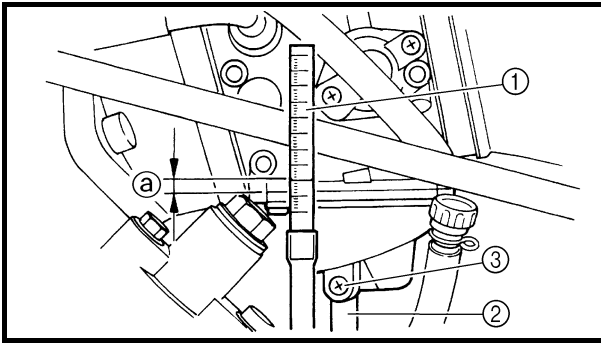
- Hold the carburetor in an upside down position.
- Measure the distance from the mating surface of the float chamber (gasket removed) to the top of the float.

NOTE:

The float arm should be resting on the needle valve, but not compressing it.

- If the float height is not within the specification, check the valve seat and needle valve.
- If either is worn, replace them both.
- If both are fine, adjust the float height by bending the float tang ① on the float.
- Recheck the float height.





ADJUSTING THE FUEL LEVEL

1. Measure:

- Fuel level (a)

Out of specification → Adjust.



Fuel level:
4.0 ~ 5.0 mm (0.16 ~ 0.20 in)
Above the float chamber mating surface

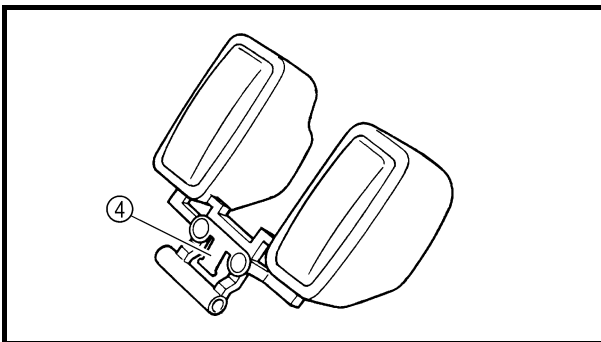
Measurement and adjustment steps:

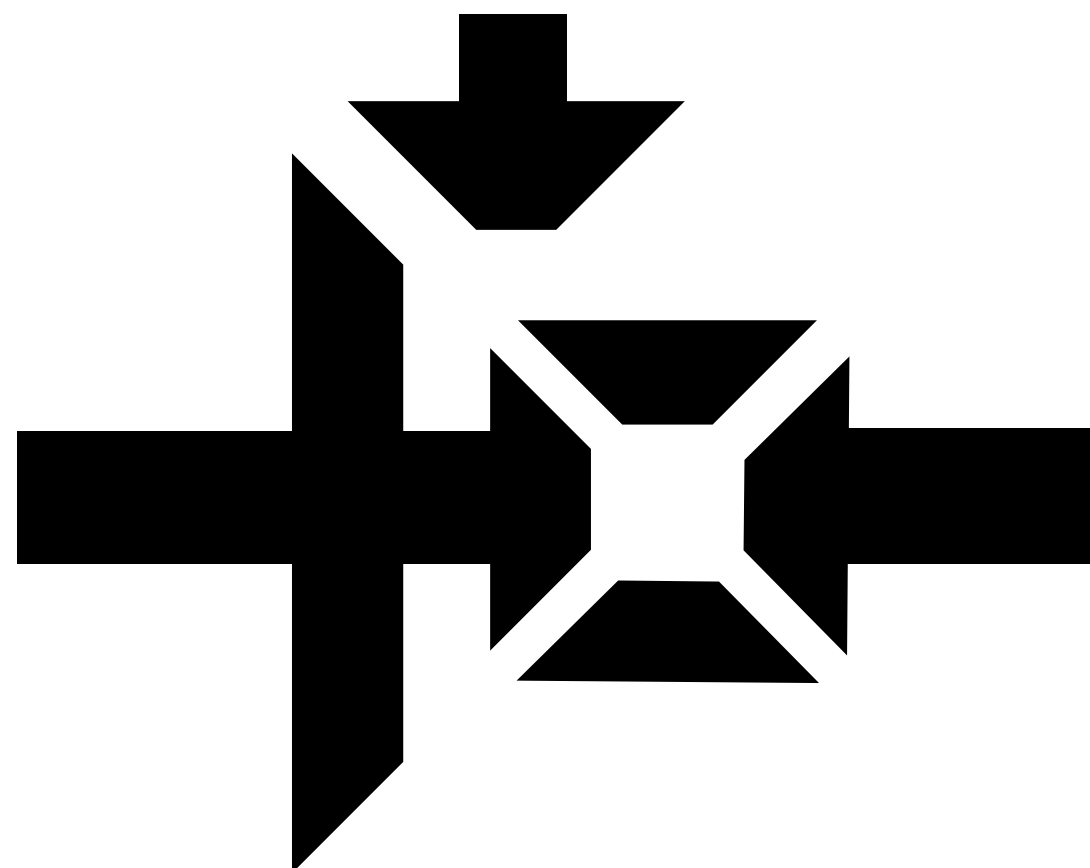
- Place the machine on a level surface.
- Connect the fuel level gauge (1) to the drain pipe (2).



Fuel level gauge:
P/N. YM-01312-A, 90890-01312

- Loosen the drain screw (3).
- Hold the gauge vertically next to the float chamber line.
- Measure the fuel level (a) with the gauge.
- If the fuel level is incorrect, adjust the fuel level.
- Remove the carburetor.
- Check the valve seat and needle valve.
- If either is worn, replace them both.
- If both are fine, adjust the float level by bending the float tang (4) slightly.
- Install the carburetor.
- Recheck the fuel level.





DRIV

7

CHAPTER 7. DRIVE TRAIN

TROUBLESHOOTING	7-1
FRONT CONSTANT VELOCITY JOINTS AND DIFFERENTIAL GEAR	7-4
REMOVING THE DIFFERENTIAL GEAR ASSEMBLY	7-9
CHECKING THE CONSTANT VELOCITY JOINTS	7-9
CHECKING THE DIFFERENTIAL GEAR	7-10
ASSEMBLING THE FRONT CONSTANT VELOCITY JOINTS	7-10
ASSEMBLING THE DIFFERENTIAL GEAR	7-11
MEASURING AND ADJUSTING THE DIFFERENTIAL GEAR LASH	7-12
CHECKING THE DIFFERENTIAL GEAR OPERATION	7-14
REAR AXLE/FINAL DRIVE GEAR AND DRIVE SHAFT	7-15
REMOVING THE REAR AXLE	7-18
DISASSEMBLING THE FINAL DRIVE GEAR	7-18
REPLACING THE FINAL DRIVE ROLLER BEARINGS	7-19
POSITIONING THE FINAL DRIVE PINION GEAR AND RING GEAR	7-20
CHECKING THE REAR AXLE	7-24
CHECKING THE DRIVE SHAFT	7-25
CHECKING THE FINAL DRIVE GEAR	7-25
MEASUREMENT AND ADJUSTING THE FINAL GEAR LASH	7-26
ASSEMBLING THE FINAL DRIVE GEAR	7-28
INSTALLING THE FINAL DRIVE GEAR	7-28



DRIVE TRAIN

TROUBLESHOOTING

The following conditions may indicate damaged shaft drive components:

Symptoms	Possible Causes
1.A pronounced hesitation or “jerky” movement during acceleration, deceleration, or sustained speed. (This must not be confused with engine surging or transmission characteristics.)	A. Bearing damage. B. Improper gear lash. C. Gear tooth damage. D. Broken drive shaft.
2.A “rolling rumble” noticeable at low speed; a high-pitched whine; a “clunk” from a shaft drive component or area.	E. Broken gear teeth. F. Seizure due to lack of lubrication.
3.A locked-up condition of the shaft drive train mechanism, no power transmitted from the engine to the front and/or rear wheel.	G.Small foreign objects lodged between the moving parts.

NOTE:

Areas A, B, and C above may be extremely difficult to diagnose. The symptoms are quite subtle and difficult to distinguish from normal machine operating noise. If there is reason to believe these components are damaged, remove the components and check them.

- 1.Check:
 - Unusual noises

The following “noises” may indicate a mechanical defect:

- a.A “rolling rumble” noise during coasting, acceleration, or deceleration. The noise increases with front and/or rear wheel speed, but it does not increase with higher engine or transmission speeds.
Diagnosis: Possible wheel bearing damage.
- b.A “whining” noise that varies with acceleration and deceleration.
Diagnosis: Possible incorrect reassembly, too-little gear lash.



CAUTION:

Too little gear lash is extremely destructive to the gear teeth. If a test ride following reassembly indicates this condition, stop riding immediately to minimize gear damage.

c.A slight “thunk” evident at low speed operation. This noise must be distinguished from normal machine operation.
Diagnosis: Possible broken gear teeth.

⚠ WARNING

Stop riding immediately if broken gear teeth are suspected. This condition could result in the shaft drive assembly locking up, causing loss of control of the machine and possible injury to the rider.

2.Check:

- Drained oil
Drained oil shows large amounts of metal particles → Check the bearings for seizure.

NOTE:

A small amount of metal particles in the oil is normal.

3.Check:

- Oil leakage

Checking steps:

- Clean the entire machine thoroughly, then dry it.
- Apply a leak-localizing compound or dry powder spray to the shaft drive.
- Road test the machine for the distance necessary to locate the leak.
Leakage → Check the component housing, gasket, and/or seal for damage.
Damage → Replace the component.

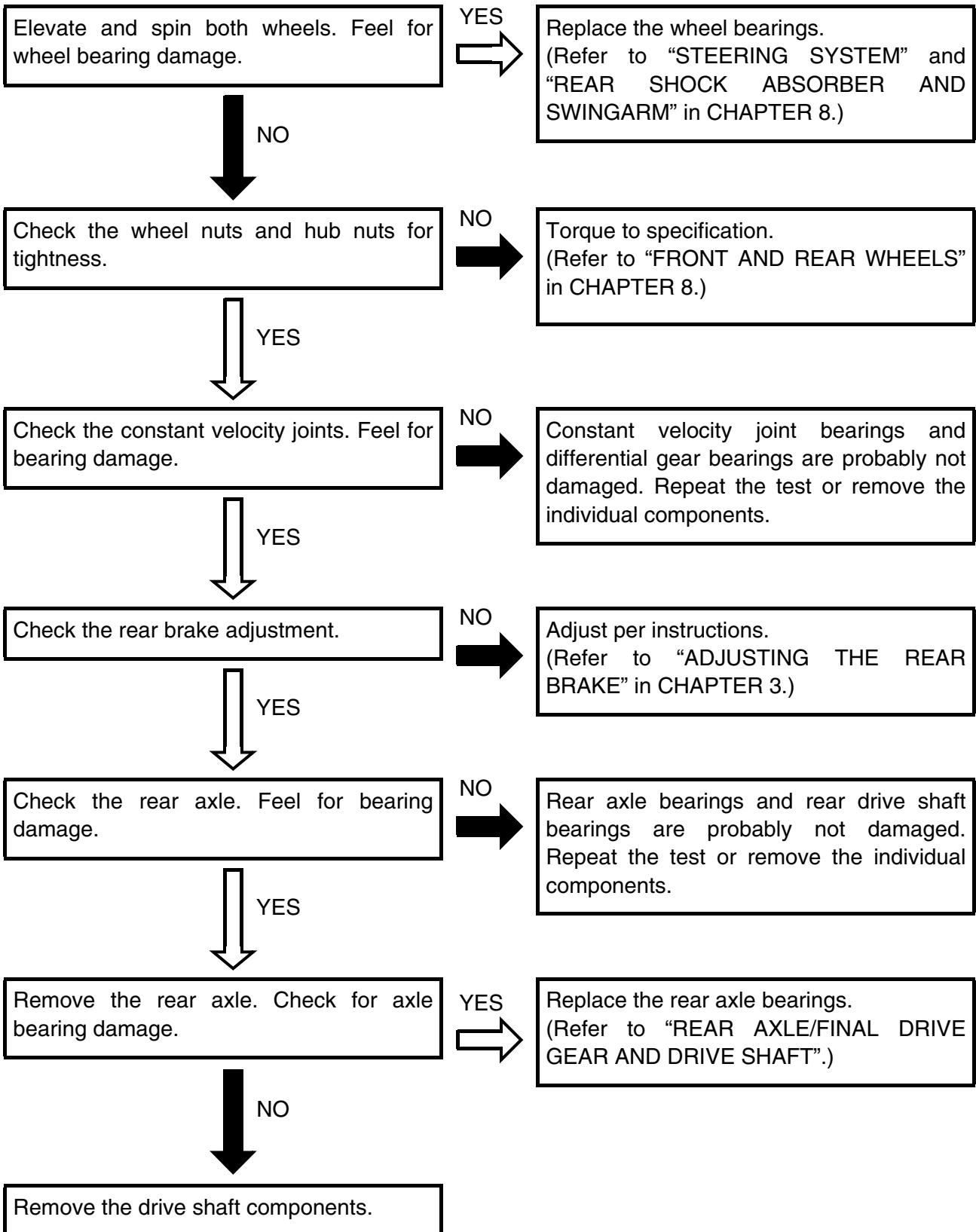
NOTE:

- An apparent oil leak on a new or nearly new machine may be the result of a rust-preventative coating or excessive seal lubrication.
- Always clean the machine and recheck the suspected location of an apparent leakage.

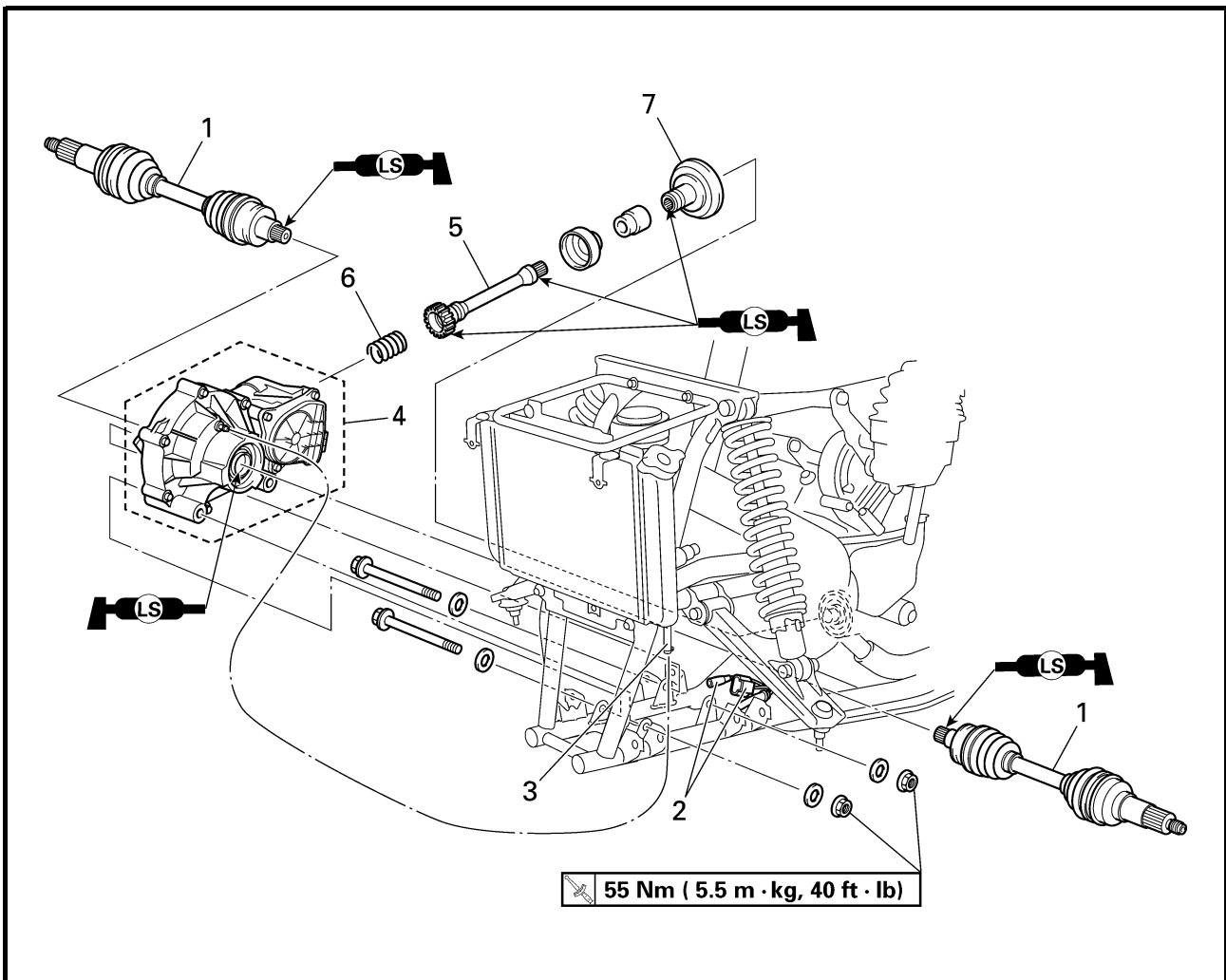


Troubleshooting chart

When basic condition "a" and "b" exist, check the following points:

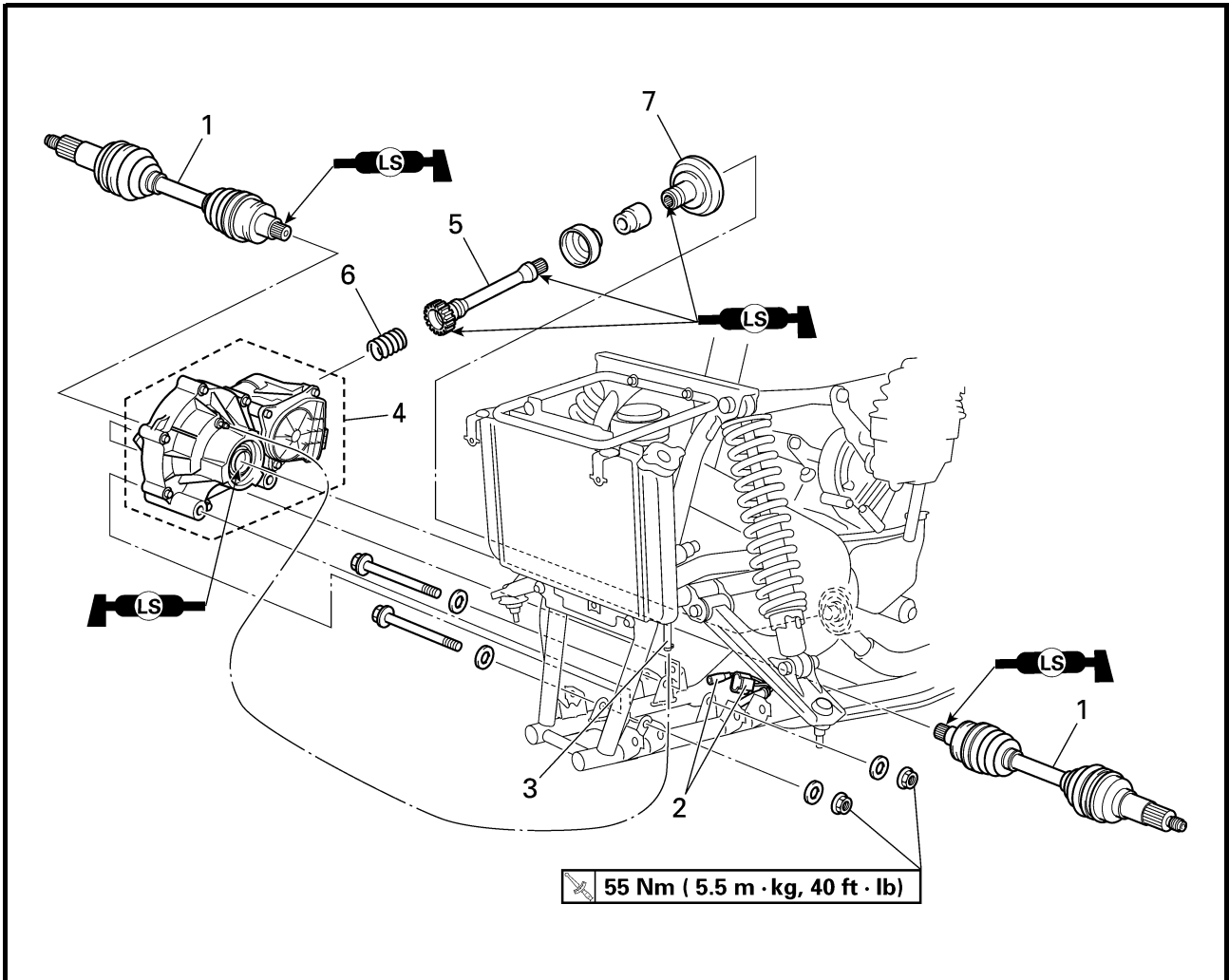


FRONT CONSTANT VELOCITY JOINTS AND DIFFERENTIAL GEAR

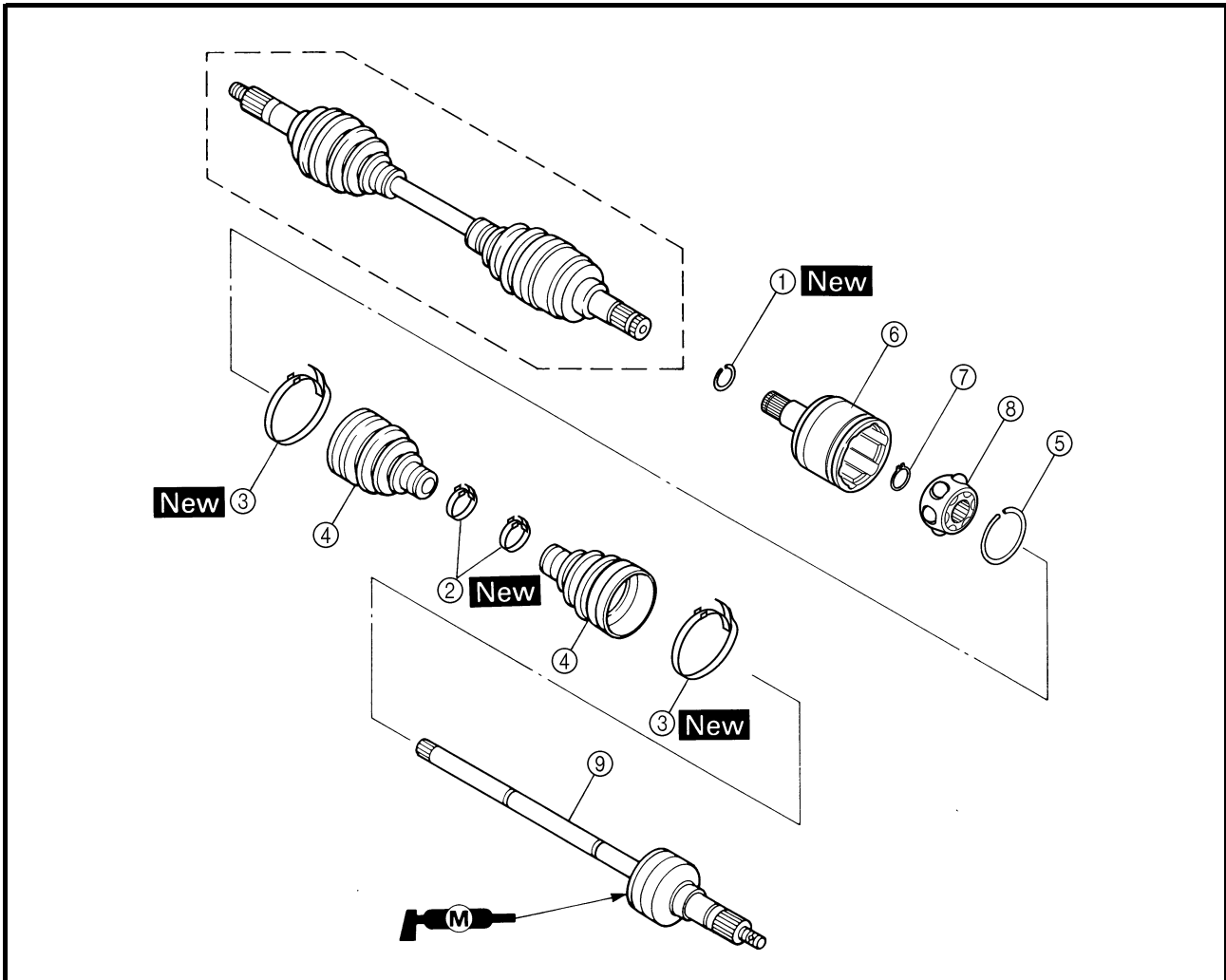


Order	Job name/Part name	Q'ty	Remarks
	Removing the front constant velocity joints and differential gear		Remove the parts in the order below.
	Engine skid plate (front)		Refer to "SEAT, CARRIERS, FENDERS AND FUEL TANK" in CHAPTER 3.
	Front fender		
	Differential gear oil		
			Drain.
	Steering knuckle		Refer to "CHANGING THE DIFFERENTIAL GEAR OIL" in CHAPTER 3.
	Front arms (lower)		Refer to "STEERING SYSTEM" in CHAPTER 8.
	Brake light switch cover		Refer to "FRONT ARMS AND FRONT SHOCK ABSORBERS" in CHAPTER 8.
1	Constant velocity joint	2	Refer to "FRONT BRAKE" in CHAPTER 8.
2	Gear motor coupler/four-wheel drive switch connector	1/1	Disconnect.
3	Differential gear case breather hose	1	Disconnect.

FRONT CONSTANT VELOCITY JOINTS AND DIFFERENTIAL GEAR

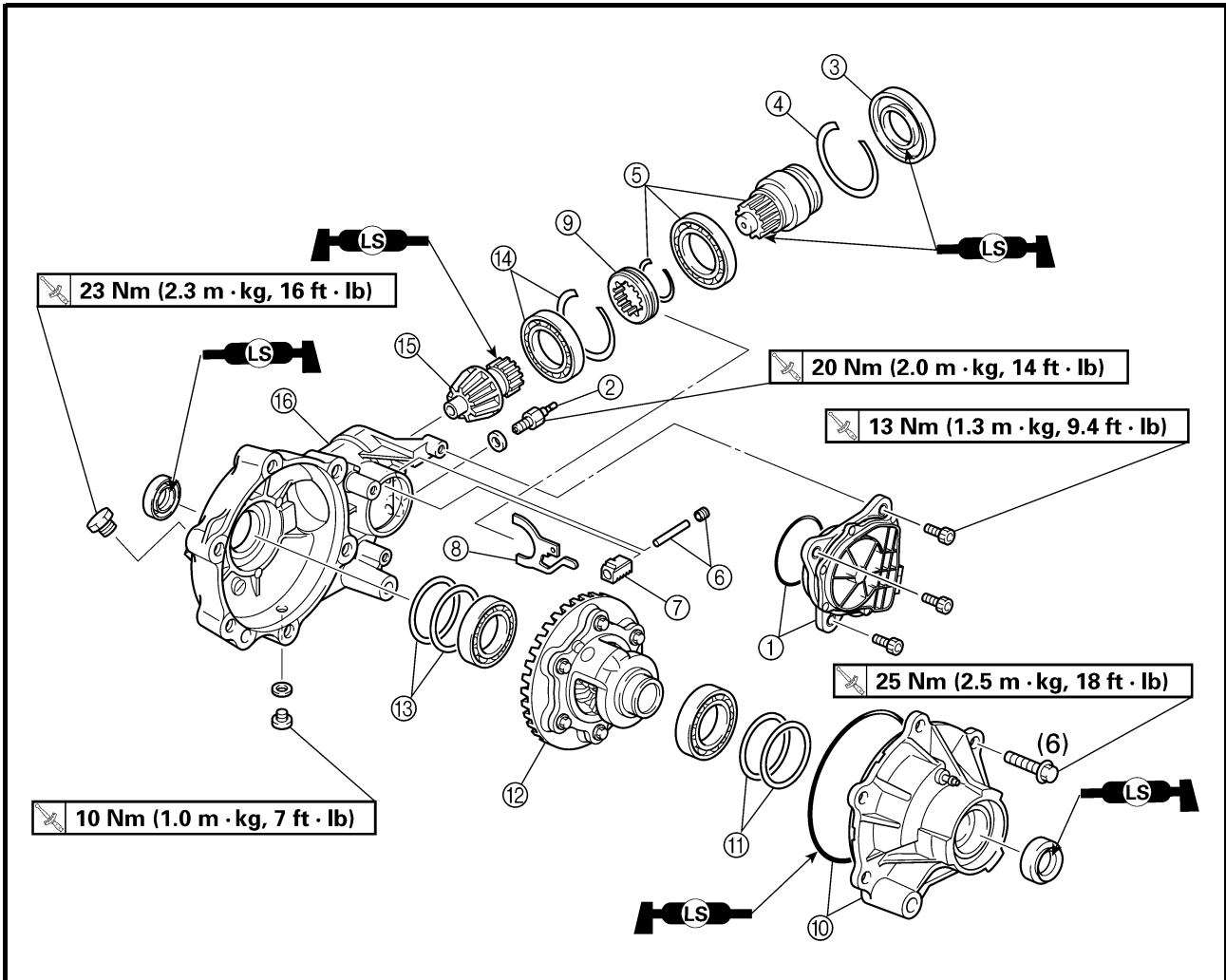


Order	Job name/Part name	Q'ty	Remarks
4	Differential gear	1	For installation, reverse the removal procedure.
5	Drive shaft	1	
6	Compression spring	1	
7	Coupling gear	1	



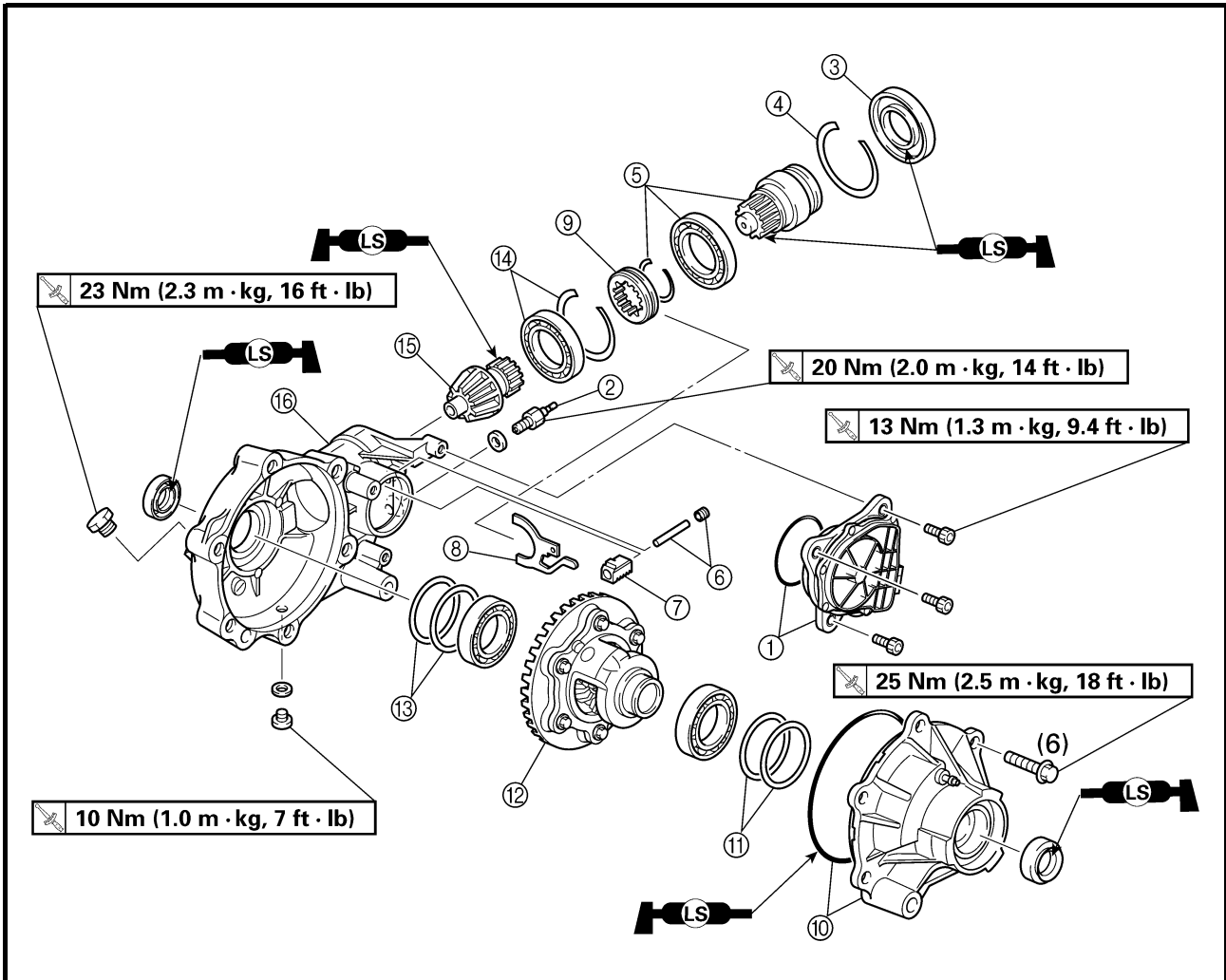
Order	Job name/Part name	Q'ty	Remarks
	Disassembling the constant velocity joints		Remove the parts in the order below.
①	Circlip	1	Refer to "ASSEMBLING THE FRONT CONSTANT VELOCITY JOINTS".
②	Boot band	2	
③	Boot band	2	
④	Dust boot	2	
⑤	Circlip	1	
⑥	Double off-set joint	1	
⑦	Circlip	1	
⑧	Ball bearing	1	
⑨	Joint shaft assembly	1	
			For assembly, reverse the disassembly procedure.

FRONT CONSTANT VELOCITY JOINTS AND DIFFERENTIAL GEAR

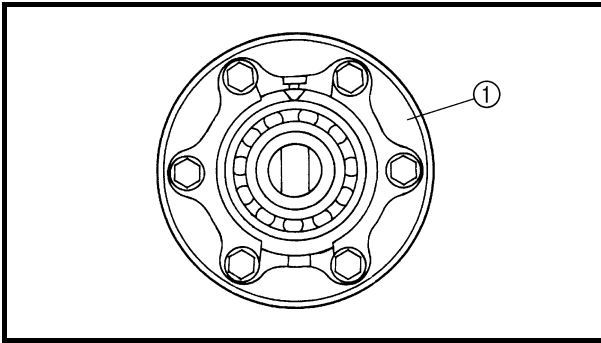


Order	Job name/Part name	Q'ty	Remarks
	Differential gear		Remove the parts in the order below.
①	Gear motor/O-ring	1/1	
②	Four-wheel drive switch	1	
③	Dust seal	1	
④	Circlip	1	
⑤	Coupling gear/bearing/circlip	1/1/1	
⑥	Stopper bolt/shaft	1/1	
⑦	Shift fork sliding gear	1	
⑧	Shift fork	1	
⑨	2WD/4WD shift sleeve	1	
⑩	Differential gear case cover/O-ring	1/1	
⑪	Shim (left)		
⑫	Differential gear assembly	1	

FRONT CONSTANT VELOCITY JOINTS AND DIFFERENTIAL GEAR



Order	Job name/Part name	Q'ty	Remarks
⑬	Shim (right)		For assembly, reverse the disassembly procedure.
⑭	Circlip/bearing	1/1	
⑮	Drive pinion gear	1	
⑯	Differential gear case	1	



REMOVING THE DIFFERENTIAL GEAR ASSEMBLY

1. Remove:

- Differential gear assembly ①

NOTE:

The ring gear and the differential gear cover should be fastened together. Do not disassemble the differential gear assembly.

CAUTION:

The differential gears are assembled into a proper unit at the factory by means of specialized equipment. Do not attempt to disassemble this unit. Disassembly will result in the malfunction of the unit.

CHECKING THE CONSTANT VELOCITY JOINTS

1. Check:

- Double off-set joint spline
 - Ball joint spline
 - Shaft spline
- Wear/damage → Replace.

2. Check:

- Dust boots
- Cracks/damage → Replace.

CAUTION:

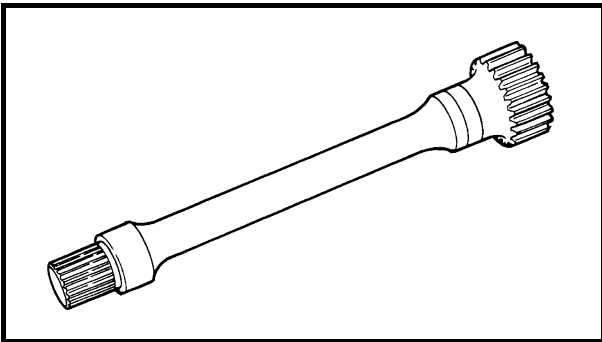
Always use new boot bands.

3. Check:

- Balls and ball races
 - Inner surface of double off-set joint
- Pitting/wear/damage → Replace.

CHECKING THE DIFFERENTIAL GEAR

1. Check:
 - Gear teeth
Pitting/galling/wear → Replace drive pinion gear and differential gear assembly as a set.
 - Bearing
Pitting/damage → Replace.
 - Oil seal
 - O-ring
Damage → Replace.
2. Check:
 - Drive shaft splines
 - Universal joints
 - Front drive gear splines
Wear/damage → Replace.
 - Spring
Fatigue → Replace.
Move the spring up and down.



3. Check:
 - Front drive shaft
Bends → Replace.

⚠ WARNING

Do not attempt to straighten a bent shaft; this may dangerously weaken the shaft.

ASSEMBLING THE FRONT CONSTANT VELOCITY JOINTS


1. Apply:
 - Molybdenum disulfide grease
(into the ball joint assembly)

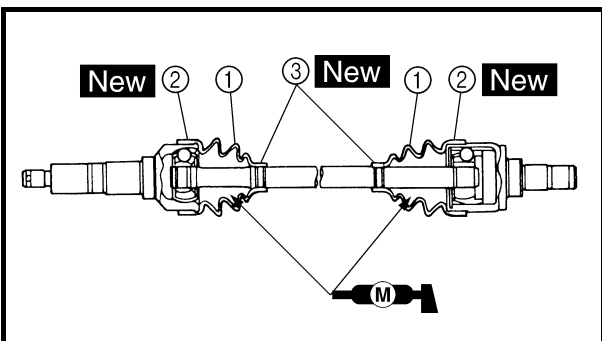
NOTE: Molybdenum disulfide grease is included in the repair kit.

2. Install:
 - Dust boots ①
 - Dust boot bands ②, ③ **New**

Installation steps:

- Apply molybdenum disulfide grease into the dust boots.

	Molybdenum disulfide grease: 40 g (1.4 oz) per dust boot
---	---



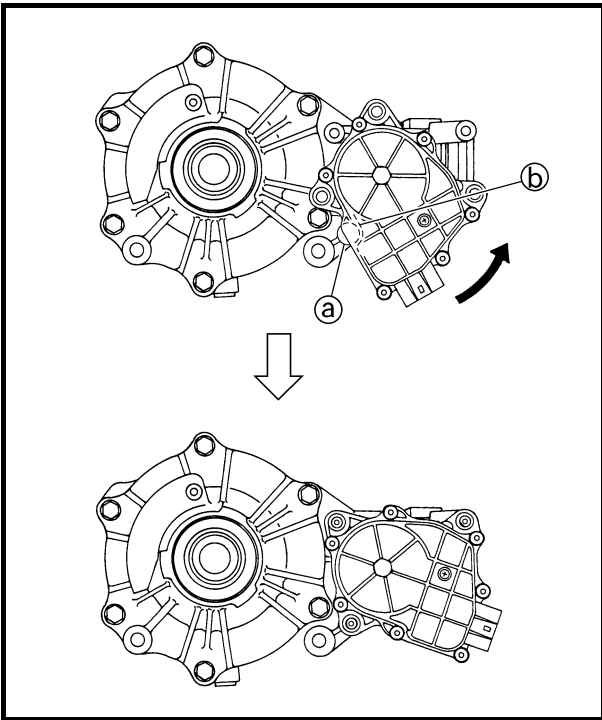
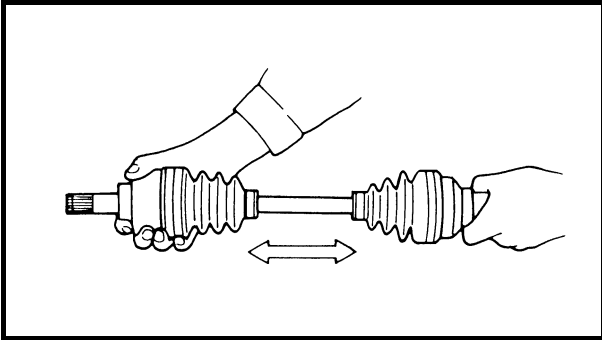
- Install the dust boots.
- Install the dust boot bands.

NOTE: _____

- The new boot bands may differ from the original ones.
- The dust boots should be fastened with the dust boot bands ③ at the grooves in the joint shaft.

3.Check:

- Free play (thrust movement)
Excessive play → Replace the joint assembly.



ASSEMBLING THE DIFFERENTIAL GEAR

1.Measure:

- Gear lash
Refer to “MEASURING AND ADJUSTING THE DIFFERENTIAL GEAR LASH”.

2.Install:

- Gear motor

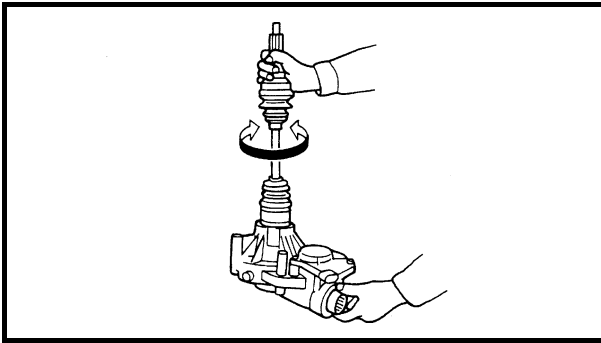
Servomotor installation steps:

- Make sure that the gear motor and shift fork sliding gear are in the 2WD position.
- While aligning the gear motor stopper ① with the differential gear case boss ②, mesh the pinion gear (gear motor) and shift fork sliding gear together.
- Push the gear motor into the differential gear case.
- Rotate the gear motor counterclockwise until it lines up with the gear motor mounting hole.

NOTE: _____

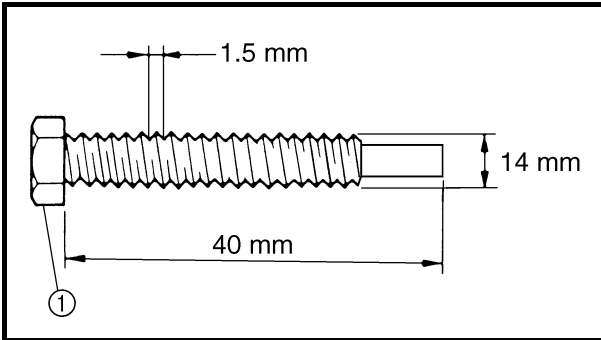
When the gear motor is in this position, the spring inside the gear motor has been preloaded for positive engagement.

- Install the gear motor bolts.
- Fill the differential with the specified grade and quantity of oil.



3. Check:

- Differential gear operation
Unsmooth operation → Replace the differential gear assembly.
Insert the double off-set joint into the differential gear, and turn the gear back and forth.



MEASURING AND ADJUSTING THE DIFFERENTIAL GEAR LASH

Measuring the differential gear lash

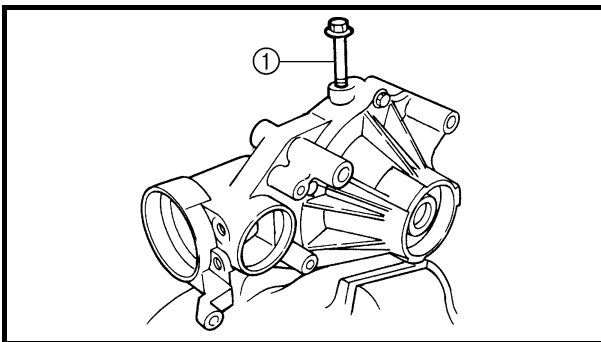
1. Secure the gear case in a vise or another supporting device.

2. Remove:

- Drain plug
- Gasket

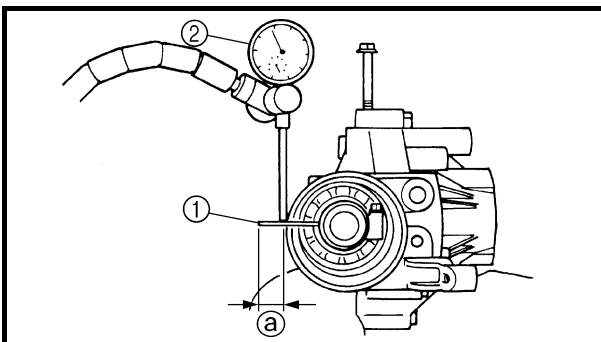
3. Install:

- A bolt of the specified size ①
(into the drain plug hole)



CAUTION:

Finger tighten the bolt until it holds the ring gear. Otherwise, the ring gear will be damaged.



4. Attach:

- Gear lash measurement tool ①
- Dial gauge ②



**Gear lash measurement tool:
P/N. YM-01475, 90890-01475**

① Measuring point is 25 mm (0.98 in)

5. Measure:

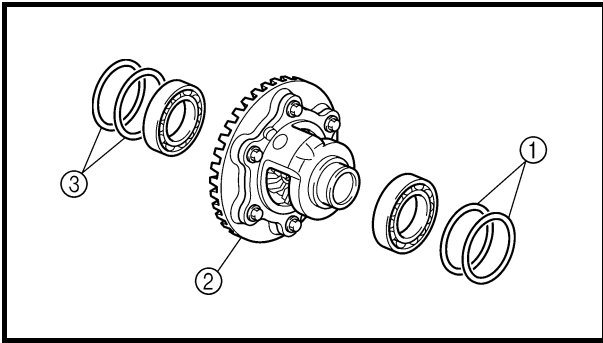
- Gear lash
Gently rotate the gear coupling from engagement to engagement.



**Differential gear lash:
0.10 ~ 0.50 mm
(0.004 ~ 0.020 in)**

NOTE:

Measure the gear lash at four positions. Rotate the shaft 90° each time.



Adjusting differential gear lash

1.Remove:

- Shim(s) (left) ①
- Differential gear assembly ②
- Shim(s) (right) ③

2.Adjust:


- Gear lash

Adjustment steps:

- Select the suitable shims using the following chart.

Too little gear lash	Reduce shim thickness.
Too large gear lash	Increase shim thickness.

- If it is necessary to increase by more than 0.05 mm (0.002 in):
Reduce right shim thickness by 0.1 mm (0.004 in) for every 0.1 mm (0.004 in) of left shim increase.
- If it is necessary to reduce by more than 0.1 mm (0.004 in):
Increase right shim thickness by 0.1 mm (0.004 in) for every 0.1 mm of left shim decrease.

	Ring gear shim (left and right)		
Thickness (mm)	0.1	0.2	0.3
	0.4	0.5	1.0
	1.5	2.0*	2.5*

* Right only

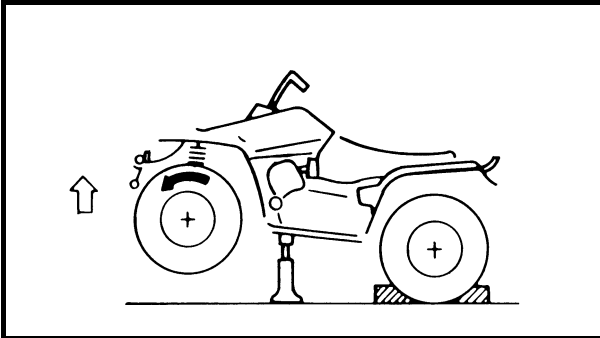


CHECKING THE DIFFERENTIAL GEAR OPERATION

1. Block the rear wheels, and elevate the front wheels by placing a suitable stand under the frame.
2. Remove the wheel cap and cotter pin from the axle nut (right or left).
3. Measure the starting torque of the front wheel (i.e., differential gear preload) with the torque wrench.

NOTE:

- Repeat this step several times to obtain an average figure.
- During this test, the other front wheel will turn in the opposite direction.



Front wheel starting torque (differential gear preload):

New unit:

17 ~ 25 Nm

(1.7 ~ 2.5 m • kg, 12 ~ 18 ft • lb)

Minimum:

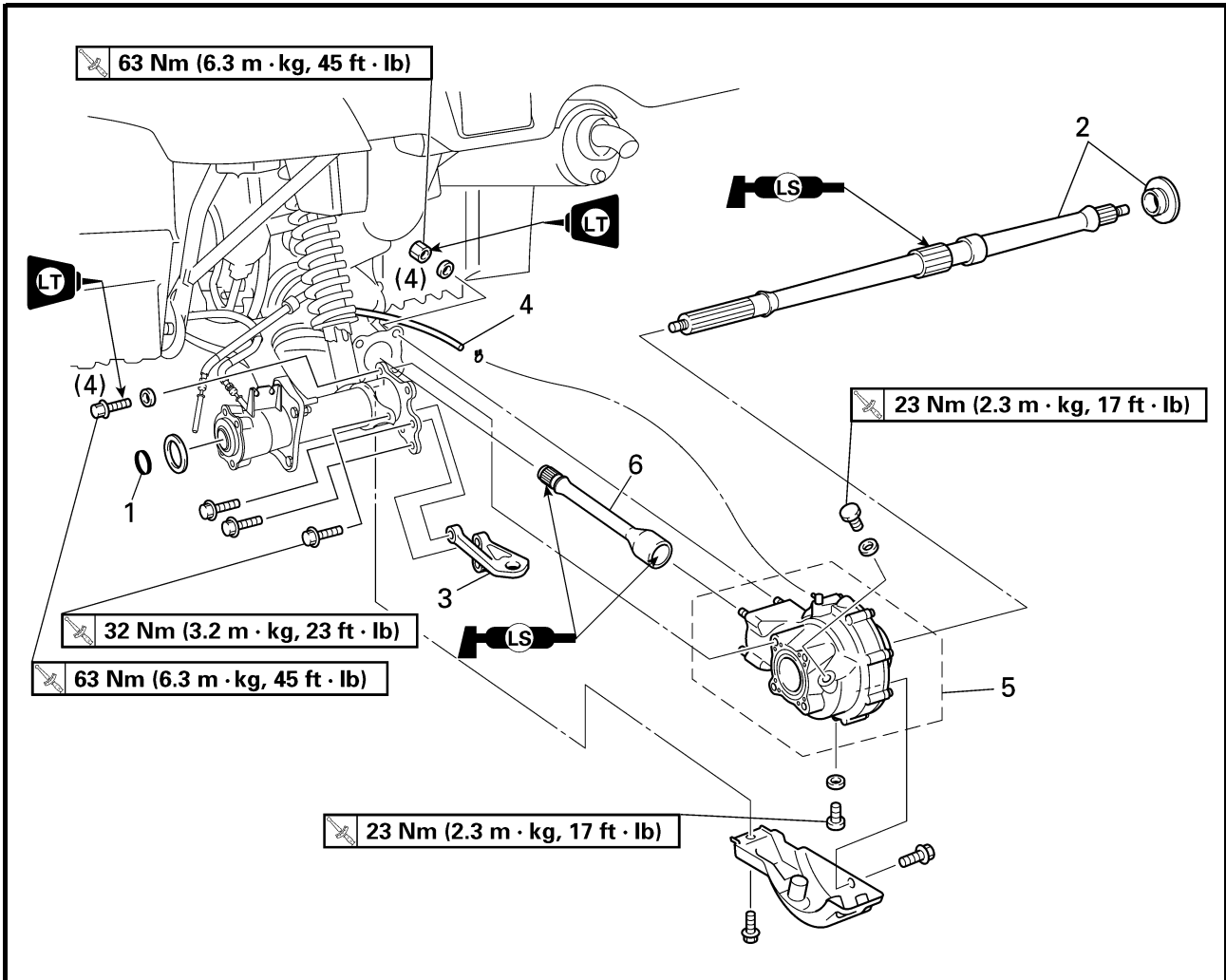
10 Nm (1.0 m • kg, 7.2 ft • lb)

4. Out of specification → Replace the differential gear assembly.
5. Within specification → Install the new cotter pin and wheel cap.

REAR AXLE/FINAL DRIVE GEAR AND DRIVE SHAFT



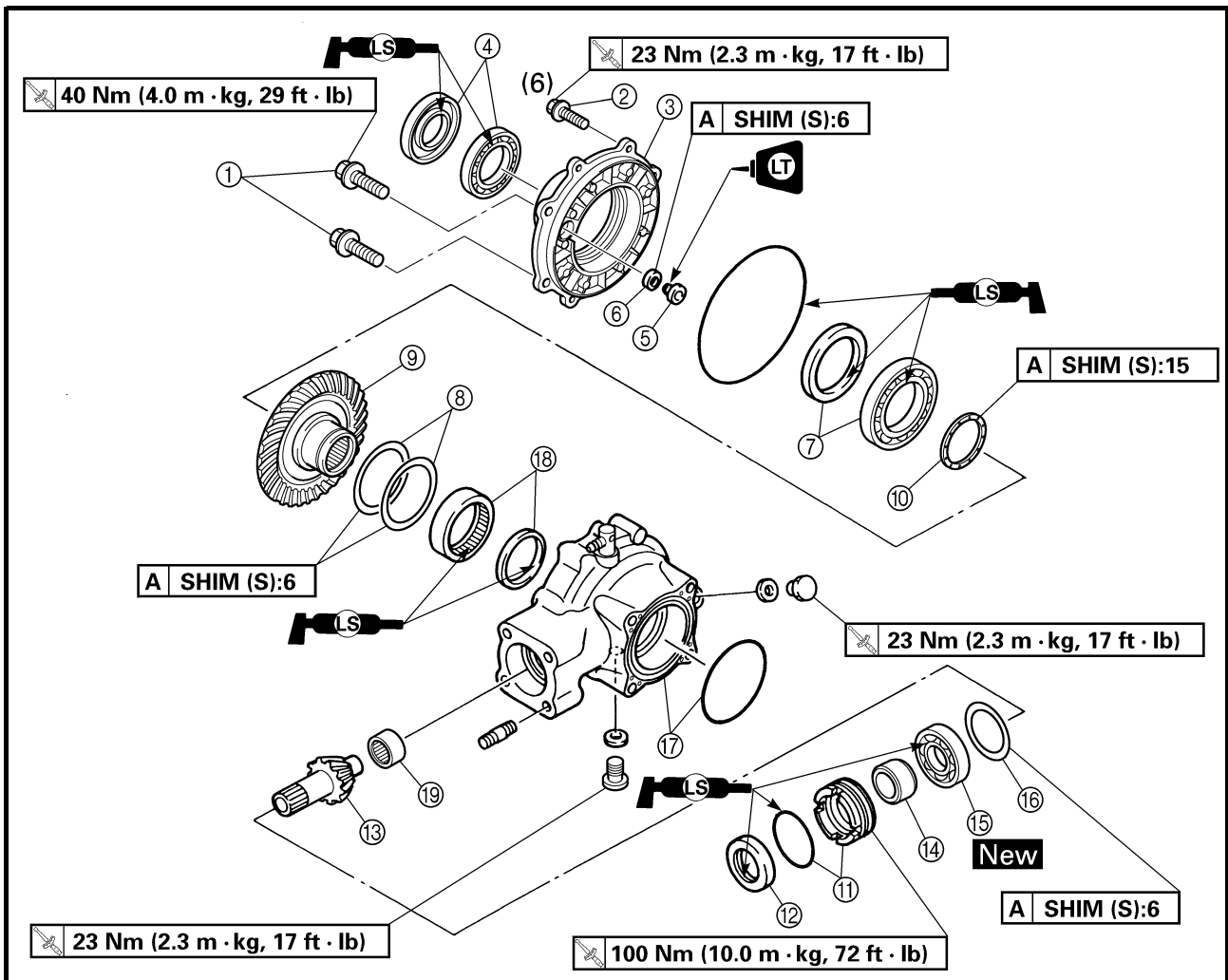
REAR AXLE/FINAL DRIVE GEAR AND DRIVE SHAFT



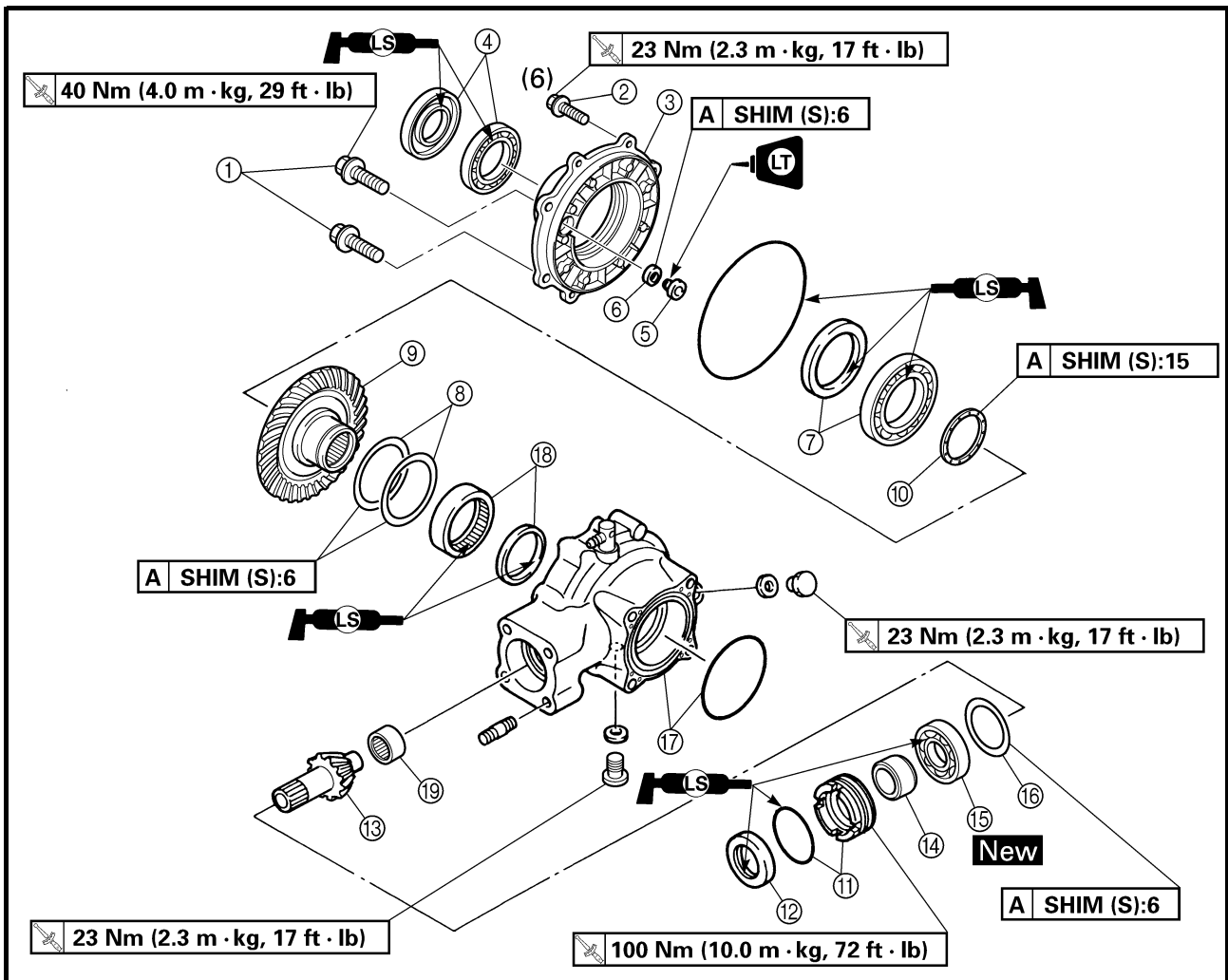
Order	Job name/Part name	Q'ty	Remarks
	Removing the rear axle, final drive gear assembly and drive shaft		Remove the parts in the order below.
	Final gear oil		Drain. Refer to "CHANGING THE FINAL GEAR OIL" in CHAPTER 3.
	Rear wheel hubs		Refer to "FRONT AND REAR WHEELS" in CHAPTER 8.
	Brake drum		Refer to "REAR BRAKE" in CHAPTER 8.
1	O-ring	1	Disconnect. } Refer to "REMOVING/INSTALLING THE REAR AXLE".
2	Rear axle/dust cover	1/1	
3	Trailer hitch bracket	1	
4	Final drive gear case breather hose	1	
5	Final drive gear	1	
6	Drive shaft	1	
			For installation, reverse the removal procedure.

REAR AXLE/FINAL DRIVE GEAR AND DRIVE SHAFT

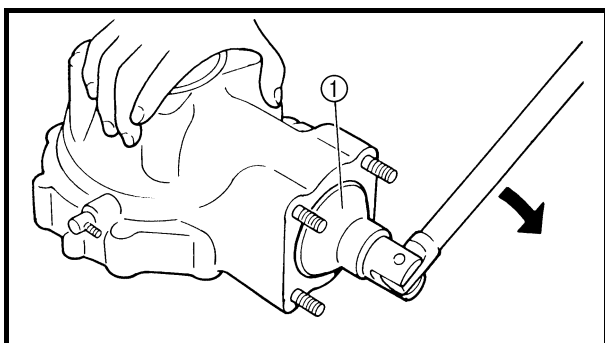
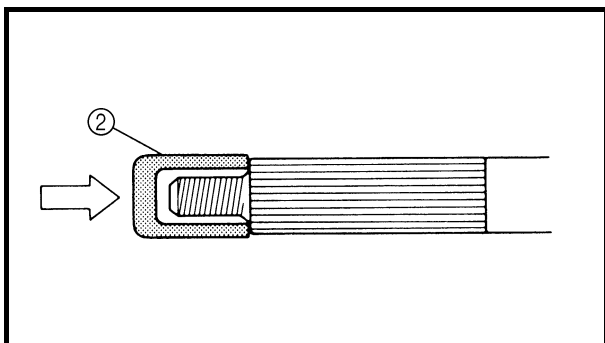
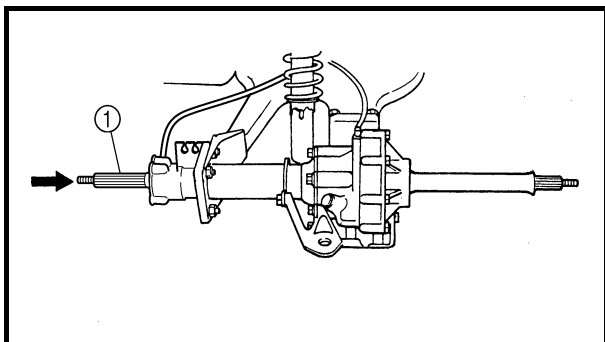
DRIV



Order	Job name/Part name	Q'ty	Remarks
	Disassembling the final drive gear		Remove the parts in the order below.
①	Bolt	2	NOTE: _____ Working in a crisscross pattern, loosen each bolt 1/4 of a turn. After all the bolts are loosened, remove them.
②	Bolt	6	
③	Bearing housing	1	
④	Oil seal/bearing	1/1	
⑤	Ring gear stopper	1	
⑥	Ring gear stopper shim		
⑦	Oil seal/bearing	1/1	
⑧	Ring gear shim		
⑨	Ring gear	1	
⑩	Thrust washer	1	



Order	Job name/Part name	Q'ty	Remarks
⑪	Bearing retainer/O-ring	1/1	Refer to "DISASSEMBLING/ ASSEMBLING THE FINAL DRIVE GEAR".
⑫	Oil seal	1	
⑬	Final drive pinion gear	1	
⑭	Collar	1	
⑮	Bearing	1	
⑯	Final drive pinion gear shim	1	
⑰	Final drive gear case/O-ring	1/1	Refer to "REPLACING THE FINAL DRIVE ROLLER BEARINGS". For assembly, reverse the disassembly procedure.
⑱	Bearing/oil seal	1/1	
⑲	Bearing	1	



REMOVING THE REAR AXLE

1. Remove:

- Rear axle ①
(with dust seal)
- O-ring

CAUTION:

- Never directly tap the axle end with a hammer, since this will result in damage to the axle thread and spline.
- Attach a suitable socket ② on the axle end and tap it with a soft hammer. Pull out the rear axle to the right.

DISASSEMBLING THE FINAL DRIVE GEAR

1. Remove:

- Bearing retainer (final drive pinion gear)

NOTE:

Use a bearing retainer wrench ①.



Bearing retainer wrench:
P/N. YM-04050, 90890-04050

CAUTION:

The final drive shaft bearing retainer has left-handed threads. To loosen the retainer, turn it clockwise.

2. Remove:

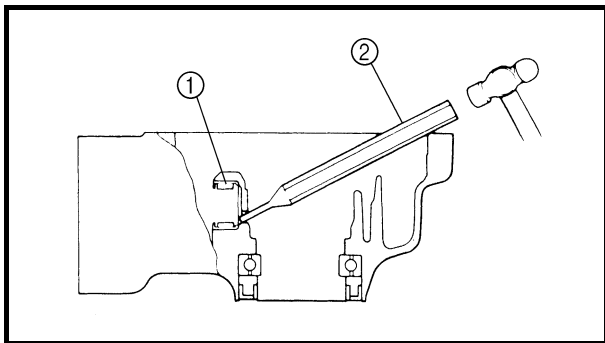
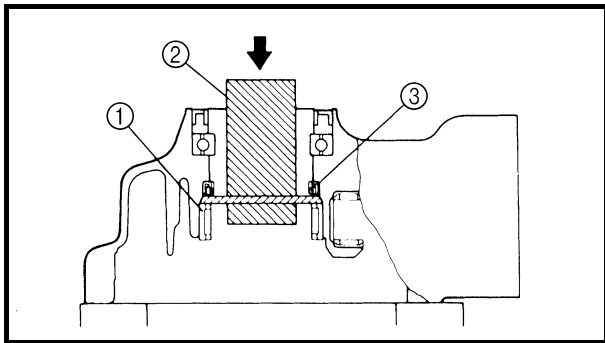
- Final drive pinion gear assembly
With a soft hammer, lightly tap on the final drive pinion gear end.

CAUTION:

Removal of the final drive pinion gear should only be performed if gear replacement is necessary.

⚠ WARNING

Always use new bearings and races.



REPLACING THE FINAL DRIVE ROLLER BEARINGS

1. Remove:

- Roller bearing (ring gear) ①
Use a suitable press tool ② and an appropriate support for the main housing.
- Oil seal ③

2. Remove:

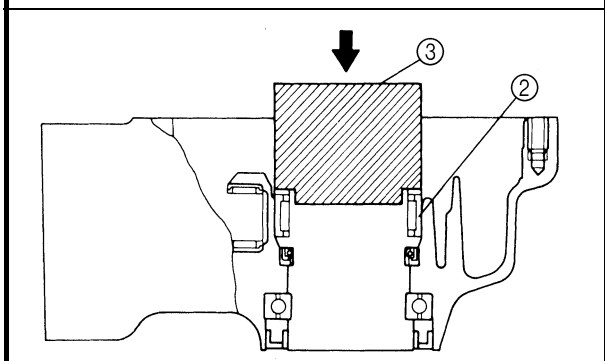
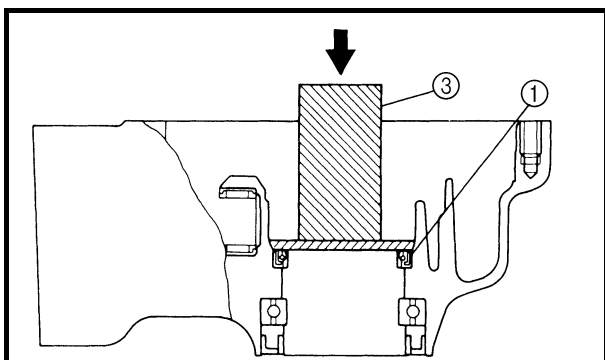
- Roller bearing (final drive pinion gear) ①

Removal steps:

- Heat the main housing only to 150 °C (302 °F).
- Remove the roller bearing outer race with an appropriately shaped punch ②.
- Remove the inner race from the final drive pinion gear.

NOTE:

The removal of the final drive pinion gear roller bearing is difficult and seldom necessary.



3. Install:

- Roller bearing (final drive pinion gear) **New**

Installation steps:

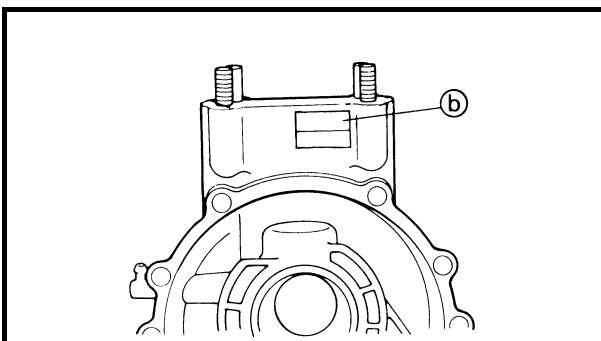
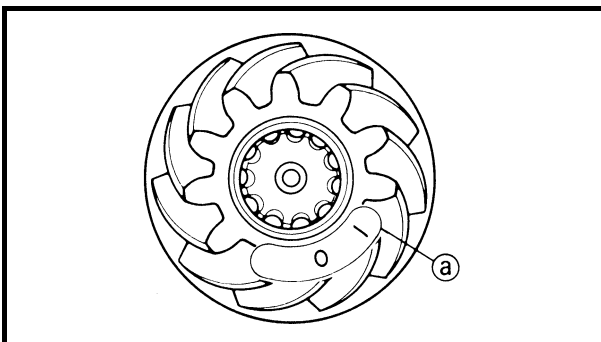
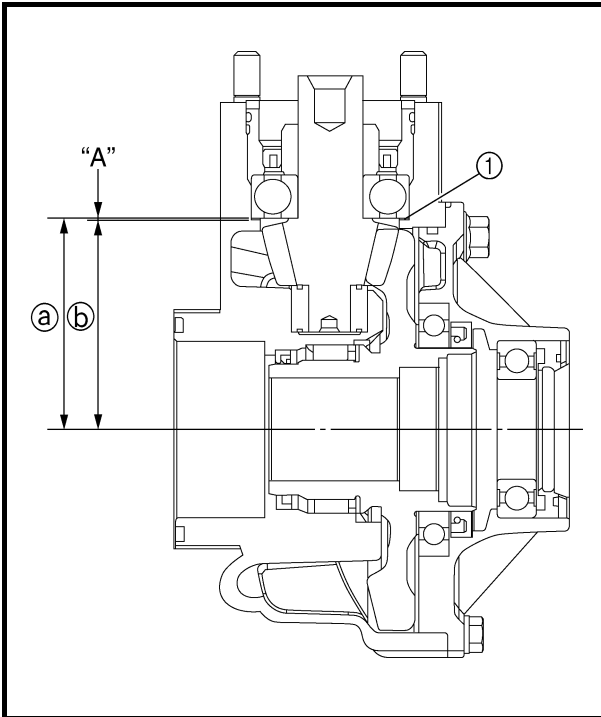
- Heat the main housing only to 150 °C (302 °F).
- Install the roller bearing outer race using the proper adapter.
- Install the inner race onto the drive pinion gear.

4. Install:

- Oil seal ① **New**
- Roller bearing ②
Use a suitable press tool ③ and a press to install the above components into the main housing.

POSITIONING THE FINAL DRIVE PINION GEAR AND RING GEAR

When the final drive pinion gear, ring gear, final gear case and/or ring gear bearing housing are replaced, be sure to adjust the positions of the final drive pinion gear and ring gear using shim(s).



Final drive pinion gear shim selection

1. Select:

- Final drive pinion gear shim(s) ①

Selection steps:

- To find the final drive pinion gear shim thickness “A”, use the following formula.

Final drive pinion gear shim thickness:

$$“A” = a - b$$


- ① = a numeral (usually a decimal number) on the final drive pinion gear either added to or subtracted from “84”
- ② = a numeral (usually a decimal number) on the final gear case either added to or subtracted from “83”

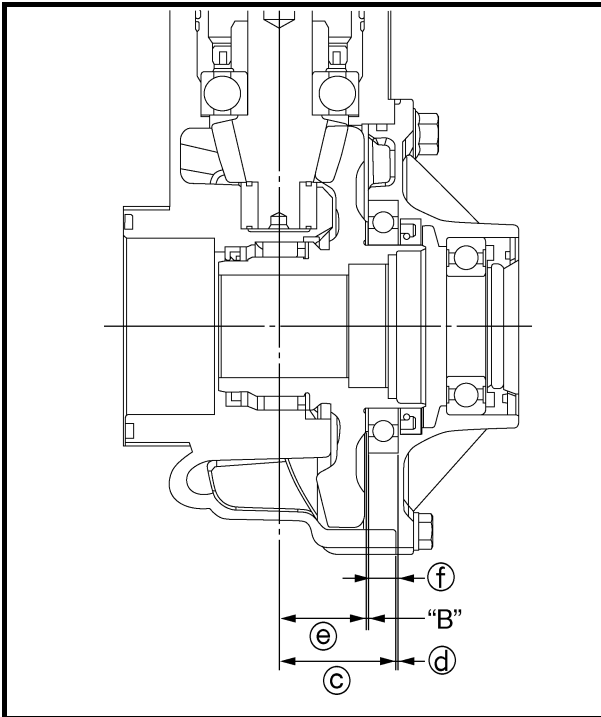
Example:

- 1) If “01” is stamped on the final drive pinion gear,
 $a = 84 + 0.01 = 84.01$
- 2) If “50” is stamped on the final gear case,
 $b = 83 + 0.50 = 83.50$
- 3) Therefore, “A” is 0.51.
 $“A” = 84.01 - 83.50$
 $= 0.51$
- 4) Round off the hundredth digit and select the appropriate shim(s).
 In the example above, the calculated number is 0.51. The chart instructs you to round off 1 to 0 at the hundredth place. Thus, the shim thickness is 0.50 mm.

Hundredths	Rounded value
0, 1, 2	0
3, 4, 5, 6, 7	5
8, 9	10

Shims are supplied in the following thicknesses.

	Final drive pinion gear shim		
Thickness (mm)	0.15	0.30	0.40
	0.45	0.50	0.60



Ring gear shim selection

1. Select:

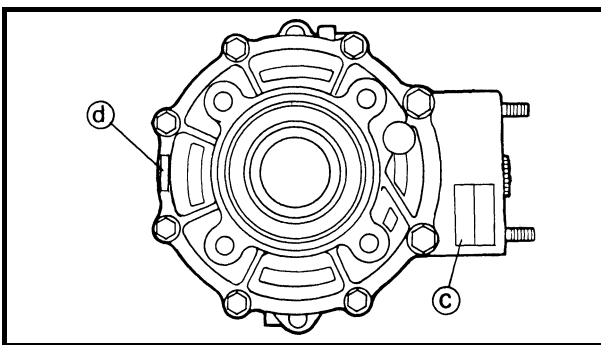
- Ring gear shim(s)

Selection steps:

- To find the ring gear shim thickness "B", use the following formula.

<p>Ring gear shim thickness: "B" = c + d - (e + f)</p>

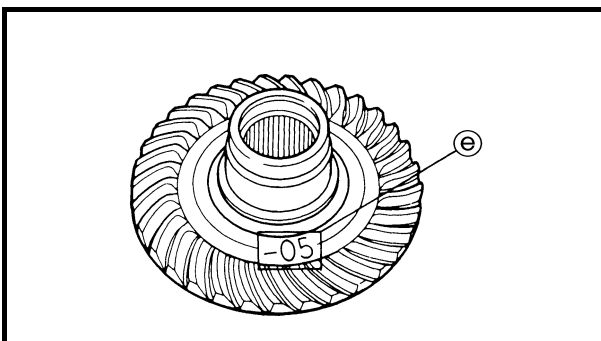
- ⓐ = a numeral (usually a decimal number) on the final gear case either added to or subtracted from 45
- ⓓ = a numeral (usually a decimal number) on the outside of the ring gear bearing housing and added to 1
- ⓔ = a numeral (usually a decimal number) on the inside of the ring gear either added to or subtracted from 35.00
- ⓕ = bearing thickness (considered constant)



<p> Bearing thickness ⓕ: 11.00 mm</p>

Example:

- 1) If "53" is stamped on the final gear case,
 $c = 45 + 0.53 = 45.53$
- 2) If "05" is stamped on the ring gear bearing housing,
 $d = 1 + 0.05$
 $= 1.05$
- 3) If "- 05" is stamped on the ring gear,
 $e = 35 - 0.05$
 $= 34.95$
- 4) ⓕ = 11.00.




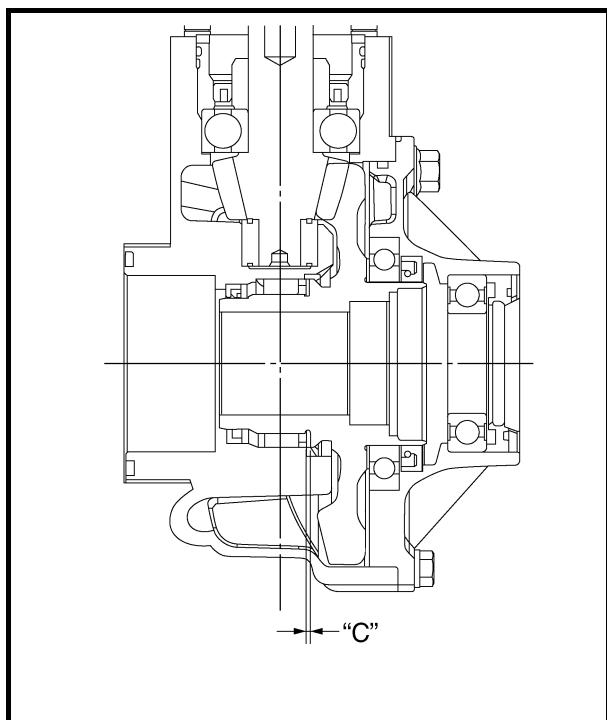


- 5) Therefore, shim thickness “B” is 0.63.
 “B”= 45.53 + 1.05 – (34.95 + 11.00)
 = 46.58 – 45.95
 = 0.63
- 6) Round off the hundredth digit and select the appropriate shim(s).
 In the example above, the calculated number is 0.63. The chart instructs you to round off 3 to 5 at the hundredth place.
 Thus, the shim thickness is 0.65 mm.

Hundredths	Rounded value
0, 1, 2	0
3, 4, 5, 6, 7	5
8, 9	10

Shims are supplied in the following thicknesses.

 Ring gear shim				
Thickness (mm)	0.25	0.30	0.35	
	0.40	0.45	0.50	




Thrust washer selection

1.Measure/select:

- Ring gear thrust clearance “C”

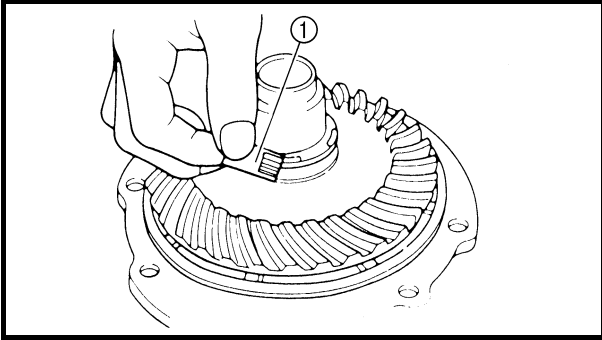
Measurement steps:

- Place four pieces of Plastigauge® between the originally fitted thrust washer and the ring gear.
- Install the ring gear assembly and tighten the bolts to specification.


	M8 bolts (bearing housing):
	23 Nm (2.3 m • kg, 17 ft • lb)
	M10 bolts (bearing housing):
	40 Nm (4.0 m • kg, 29 ft • lb)

NOTE:

Do not turn the drive pinion gear and ring gear when measuring the clearance with Plastigauge®.




- Remove the ring gear assembly.
- Measure the thrust clearance. Calculate the width of the flattened Plastigauge® ①.

	Ring gear thrust clearance: 0.1 ~ 0.2 mm (0.004 ~ 0.008 in)
---	---

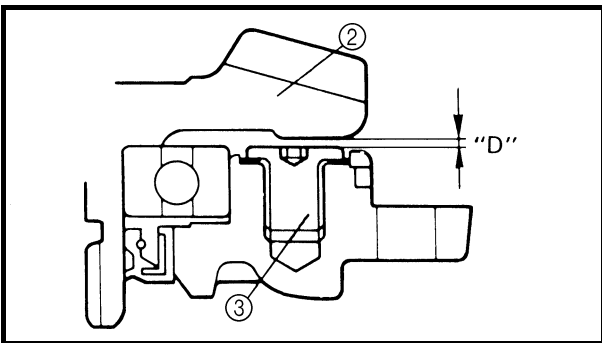
- If out of specification, select the correct washer.

Thrust washer selection steps:

- Select a suitable thrust washer using the following chart.

 Thrust washer			
Thickness (mm)	1.0	1.1	1.2
	1.3	1.35	1.4
	1.45	1.5	1.55
	1.6	1.7	1.8
	1.9	2.0	2.1

- Repeat the measurement steps until the ring gear thrust clearance is within the specified limits.



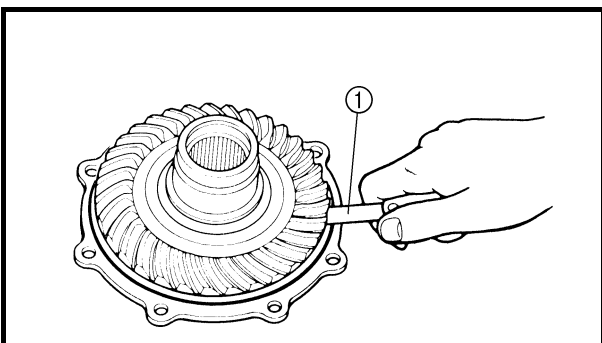
Ring gear stopper shim selection

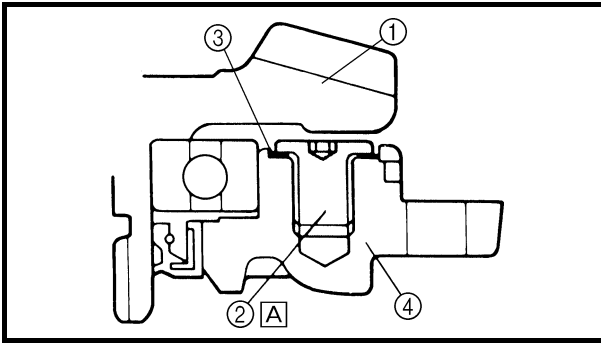
1. Measure:

- Ring gear stopper clearance "D"
Use a feeler gauge ①.
Out of specification → Adjust.

	Ring gear stopper clearance "D": 0.30 ~ 0.60 mm (0.012 ~ 0.024 in)
---	--

- ② Ring gear
- ③ Ring gear stopper





Ring gear stopper clearance adjustment

1. Remove:

- Ring gear ①
- Ring gear stopper ②
- Shim(s) ③
- ④ Bearing housing
- ⓐ Left-hand threads

2. Select:

- Suitable shim(s)

Shim			
Thickness (mm)	0.10	0.15	0.20
	0.30	0.40	0.50

3. Install:

- Shim(s)
- Ring gear stopper (left-hand threads)

9 Nm (0.9 m • kg, 6.5 ft • lb)

- Ring gear

NOTE:

Use LOCTITE® on the ring gear stopper.

4. Measure:

- Ring gear stopper clearance
Out of specification → Repeat adjustment steps.

	Ring gear stopper clearance: 0.30 ~ 0.60 mm (0.012 ~ 0.024 in)
--	--

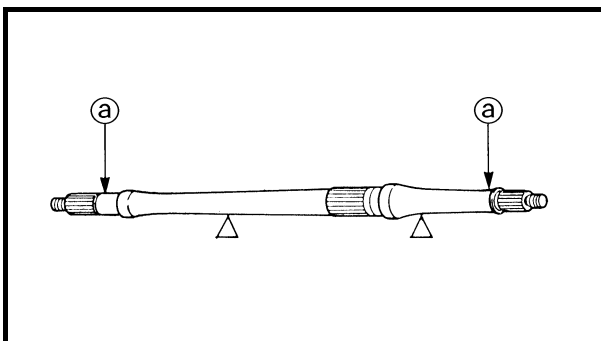
CHECKING THE REAR AXLE

1. Check:

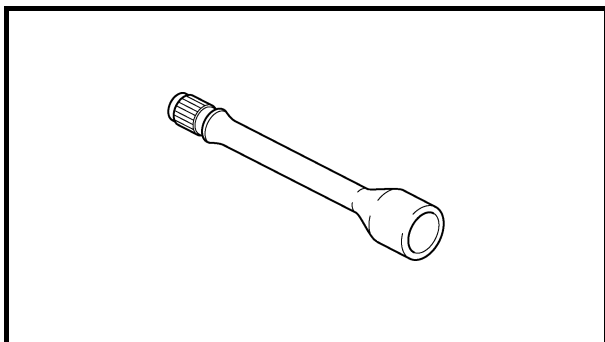
- Rear axle runout Ⓐ
Out of specification → Replace.

⚠ WARNING

Do not attempt to straighten a bent axle.

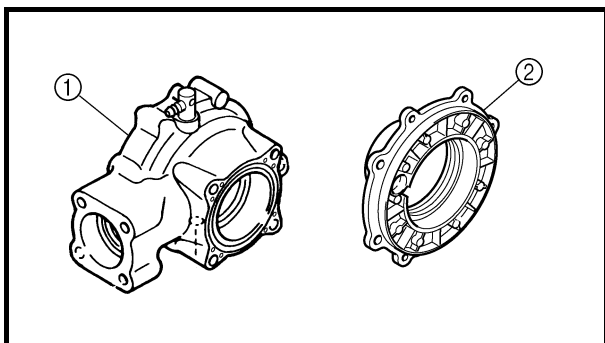


	Rear axle runout limit: 1.5 mm (0.06 in)
--	--



CHECKING THE DRIVE SHAFT

1. Check:
- Drive shaft (splines)
Wear/damage → Replace.



CHECKING THE FINAL DRIVE GEAR

1. Check:
- Final gear case ①
 - Bearing housing (ring gear) ②
Cracks/damage → Replace.

NOTE:

When the final gear case and/or the ring gear bearing housing are replaced, be sure to adjust the shim of the final drive pinion gear and/or ring gear.

2. Check:

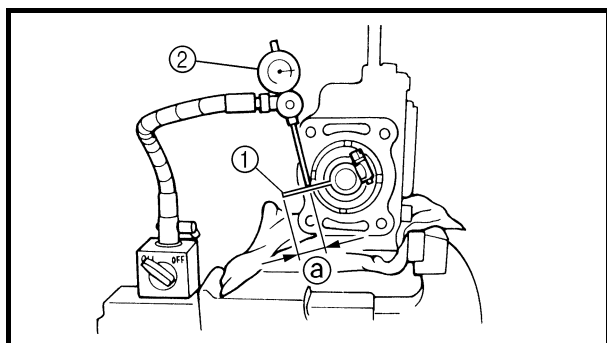
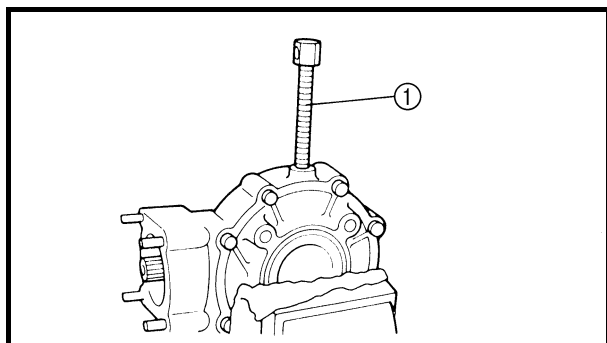
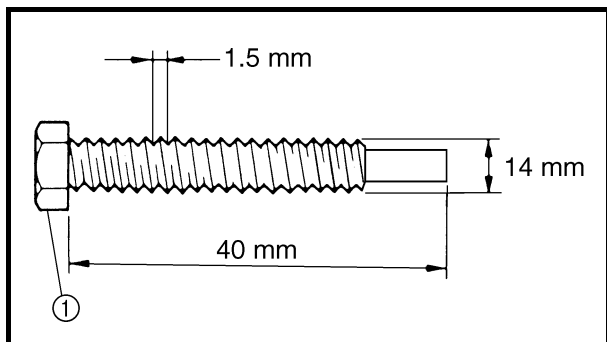
- Gear teeth
Pitting/galling/wear → Replace the drive pinion gear and ring gear as a set.
- Oil seals
- O-rings
Damage → Replace.

3. Check:

- Bearings
Damage → Replace.

NOTE:

- Reusing roller bearings is acceptable, but Yamaha recommends installing new ones. Do not reuse oil seals.
- When the final drive pinion gear and/or ring gear are replaced, be sure to adjust the shim of the final drive pinion gear and/or ring gear.



MEASUREMENT AND ADJUSTING THE FINAL GEAR LASH

Final gear lash measurement

1. Secure the gear case in a vise or another supporting device.
2. Remove:
 - Drain plug
 - Gasket
3. Install:
 - A bolt of the specified size ① (into the drain plug hole)

CAUTION: _____

Finger tighten the bolt until it holds the ring gear. Otherwise, the ring gear will be damaged.

4. Attach:
 - Gear lash measurement tool ①
 - Dial gauge ②



**Gear lash measurement tool:
P/N. YM-01475, 90890-01475**

① Measuring point is 31.46 mm (1.24 in)

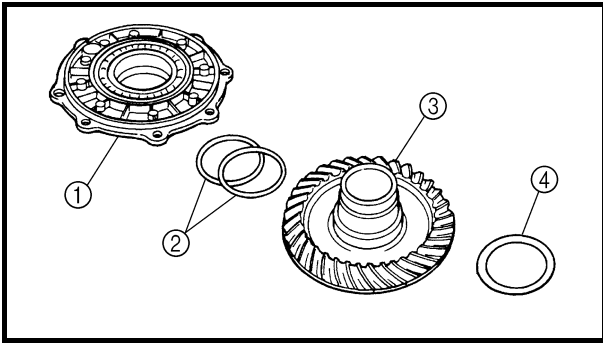
5. Measure:
 - Gear lash
Gently rotate the gear coupling from engagement to engagement.



**Final gear lash:
0.1 ~ 0.2 mm (0.004 ~ 0.008 in)**

NOTE: _____

Measure the gear lash at four positions. Rotate the shaft 90° each time.



Final gear lash adjustment

1.Remove:

- Bearing housing ①
- Ring gear shim(s) ②
- Ring gear ③
- Thrust washer ④

2.Adjust:


- Gear lash


Adjustment steps:

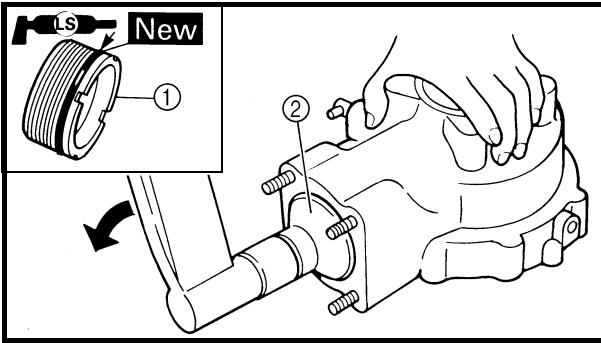
- Select suitable shim(s) and thrust washer(s) using the following chart.

Too little gear lash	Reduce shim thickness.
Too large gear lash	Increase shim thickness.

- If increased by more than 0.2 mm (0.008 in):
Reduce the thrust washer thickness by 0.2 mm (0.008 in) for every 0.2 mm (0.008 in) of ring gear shim increase.
- If reduced by more than 0.2 mm (0.008 in):
Increase the thrust washer thickness by 0.2 mm (0.008 in) for every 0.2 mm (0.008 in) that the ring gear shim is decrease.

	Ring gear shim			
Thickness (mm)	0.25	0.30	0.35	0.50
	0.40	0.45	0.50	


	Thrust washer			
Thickness (mm)	1.0	1.1	1.2	
	1.3	1.35	1.4	
	1.45	1.5	1.55	
	1.6	1.7	1.8	
	1.9	2.0	2.1	



ASSEMBLING THE FINAL DRIVE GEAR

1. Install:

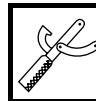
- Drive pinion gear (with shim(s) and bearing) (proper shim size as calculated)
- Bearing retainer (drive pinion gear) ①

 **100 Nm (10.0 m • kg, 72 ft • lb)**

Use a bearing retainer wrench ②.

CAUTION:

- Always use a new bearing.
- The final drive shaft bearing retainer has left-hand threads. Turn the retainer counterclockwise to tighten it.



**Bearing retainer wrench:
P/N. YM-04050, 90890-04050**

2. Adjust:

- Final gear lash
Refer to “MEASUREMENT AND ADJUSTING THE FINAL GEAR LASH”.

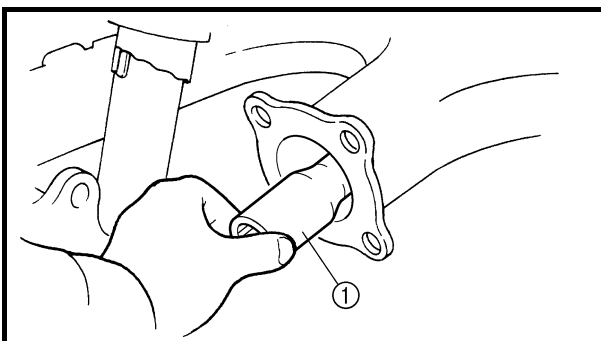
INSTALLING THE FINAL DRIVE GEAR

1. Lubricate:

- Drive shaft
- Coupling gear
- O-rings
- Oil seals
- Bearings



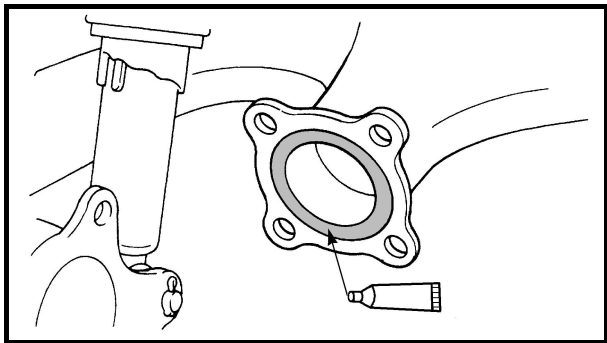
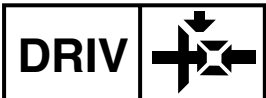
Lithium-soap-based grease




2. Install:

- Drive shaft ①
(to the universal joint)

REAR AXLE/FINAL DRIVE GEAR AND DRIVE SHAFT







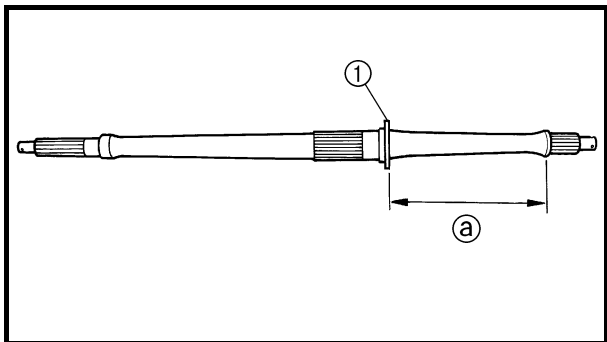
3. Apply:
- Sealant (Quick Gasket®)
(to the mating surfaces of the swingarm and the final drive gear case)



Sealant (Quick gasket®):
P/N. ACC-11001-05-01
Yamaha bond No.1215:
P/N. 90890-85505

4. Install:
- Final drive gear

● Nuts			63 Nm (6.3 m • kg, 45 ft • lb)
● Bolts			63 Nm (6.3 m • kg, 45 ft • lb)

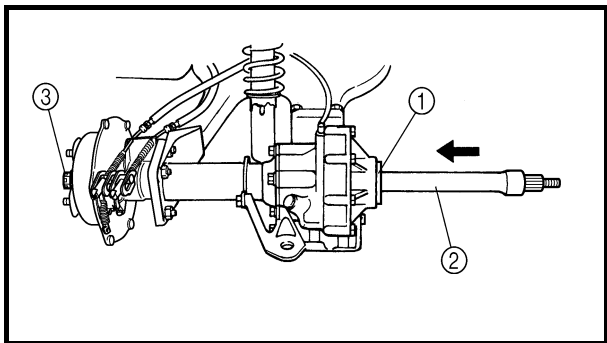


5. Install:
- Dust cover
 - Rear axle

Installation steps:

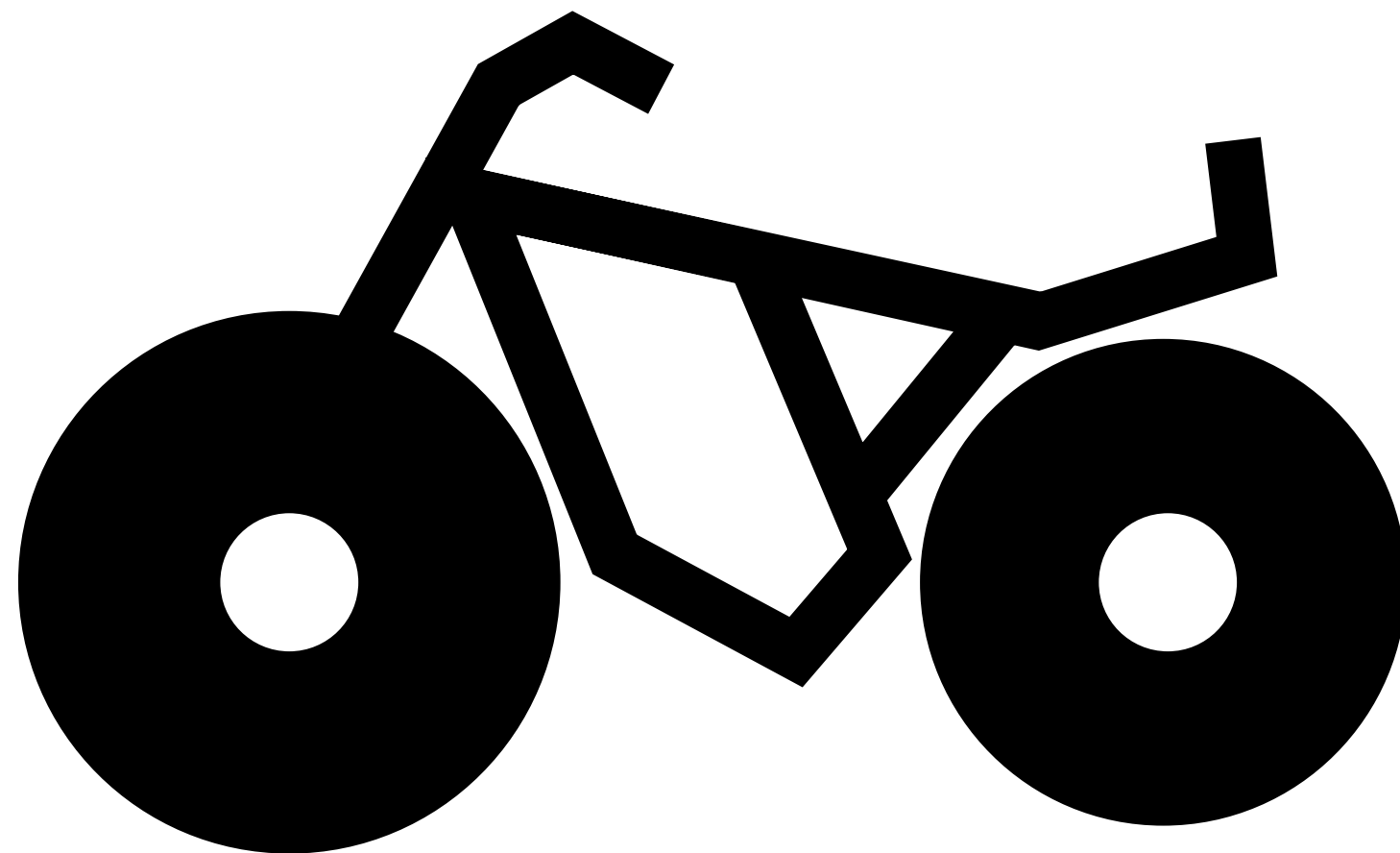
- Install the dust cover ① onto the rear axle.

NOTE: _____
 Adjust the length ② to 210.1 mm (8.3 in) when installing the dust cover.



- Install the rear axle (with dust cover) ②.
- Install the rear brake drum and rear wheel hub (left).
- Temporarily tighten the left axle nut ③.

NOTE: _____
 After tightening the rear axle nut ③, the position of the dust cover ① will slightly move to protect the oil seal of the final gear case.



CHAS

88

CHAPTER 8. CHASSIS

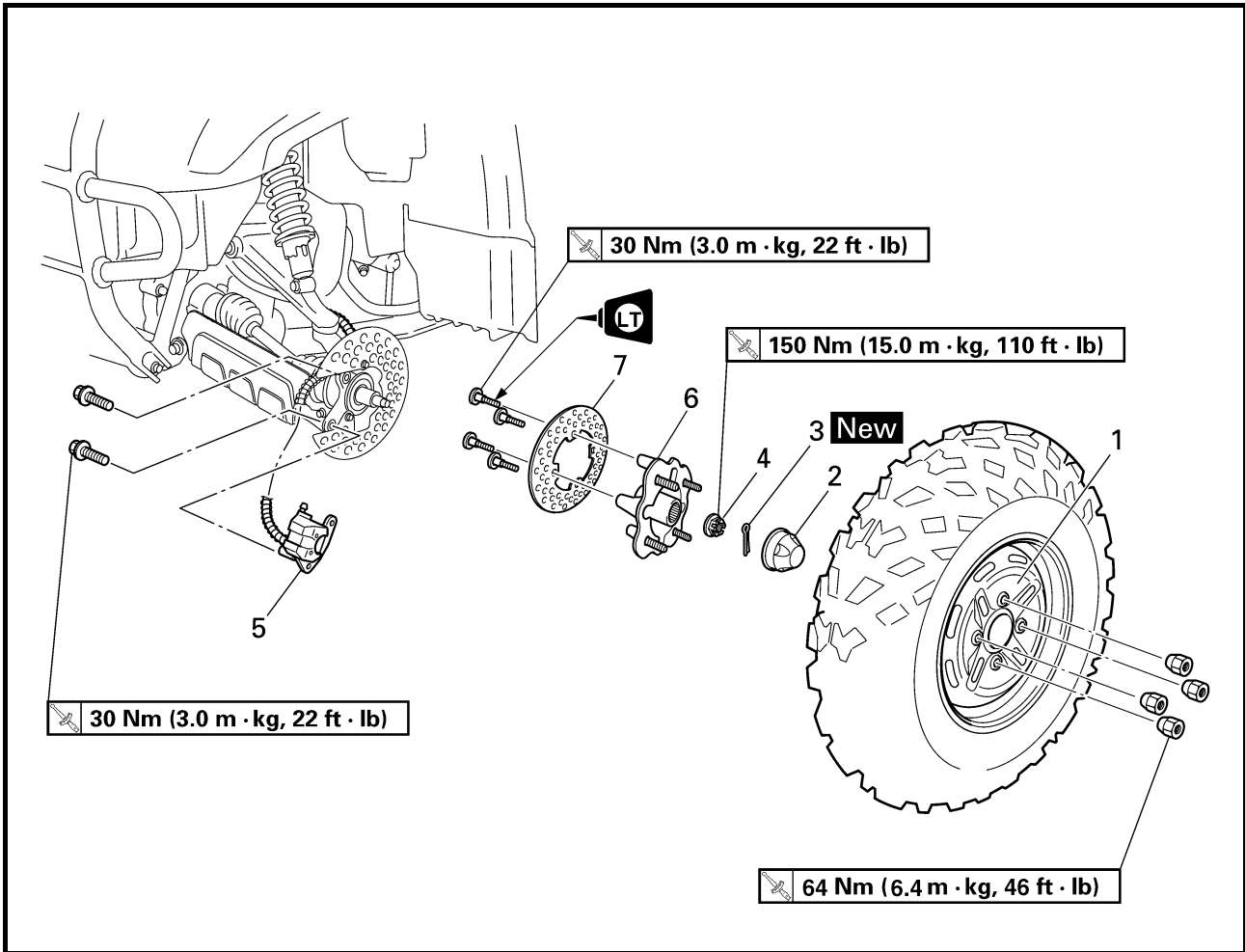
FRONT AND REAR WHEELS	8-1
FRONT WHEELS	8-1
REAR WHEELS	8-2
CHECKING THE WHEELS	8-3
CHECKING THE WHEEL HUBS	8-3
CHECKING THE BRAKE DISCS	8-4
INSTALLING THE WHEEL HUBS	8-4
INSTALLING THE WHEELS	8-4
FRONT BRAKE	8-6
FRONT BRAKE PADS	8-6
REPLACING THE FRONT BRAKE PADS	8-7
FRONT BRAKE MASTER CYLINDER	8-9
CHECKING THE MASTER CYLINDER	8-11
ASSEMBLING THE FRONT BRAKE MASTER CYLINDER	8-11
INSTALLING THE FRONT BRAKE MASTER CYLINDER	8-12
FRONT BRAKE CALIPER	8-14
DISASSEMBLING THE FRONT BRAKE CALIPERS	8-16
CHECKING THE FRONT BRAKE CALIPERS	8-16
ASSEMBLING THE FRONT BRAKE CALIPERS	8-17
INSTALLING THE FRONT BRAKE CALIPERS	8-17
REAR BRAKE	8-19
REMOVING THE REAR BRAKE	8-23
CHECKING THE REAR BRAKE	8-24
INSTALLING THE REAR BRAKE	8-25
STEERING SYSTEM	8-28
HANDLEBAR	8-28
REMOVING THE REAR BRAKE SWITCH	8-29
CHECKING THE HANDLEBAR	8-29
INSTALLING THE HANDLEBAR	8-29
INSTALLING THE REAR BRAKE LEVER	8-29
INSTALLING THE MASTER CYLINDER ASSEMBLY	8-30
STEERING STEM	8-31
REMOVING THE BEARING RETAINER	8-33
CHECKING THE STEERING STEM	8-33
INSTALLING THE BEARING RETAINER	8-33
INSTALLING THE CABLE GUIDE	8-33
TIE RODS AND STEERING KNUCKLES	8-34
REMOVING THE STEERING KNUCKLES	8-36
CHECKING THE TIE RODS	8-36
CHECKING THE STEERING KNUCKLES	8-36
INSTALLING THE TIE RODS	8-39

FRONT ARMS AND FRONT SHOCK ABSORBERS	8-40
REMOVING THE FRONT ARMS	8-42
CHECKING THE FRONT ARMS	8-42
CHECKING THE FRONT SHOCK ABSORBER	8-44
INSTALLING THE FRONT ARMS AND FRONT SHOCK ABSORBER	8-45
REAR SHOCK ABSORBER AND SWINGARM	8-46
REMOVING THE SWINGARM	8-48
CHECKING THE REAR SHOCK ABSORBER	8-48
CHECKING THE SWINGARM	8-49
CHECKING THE RUBBER BOOT	8-49
INSTALLING THE RUBBER BOOT	8-49
INSTALLING THE REAR AXLE HOUSING	8-50

CHASSIS

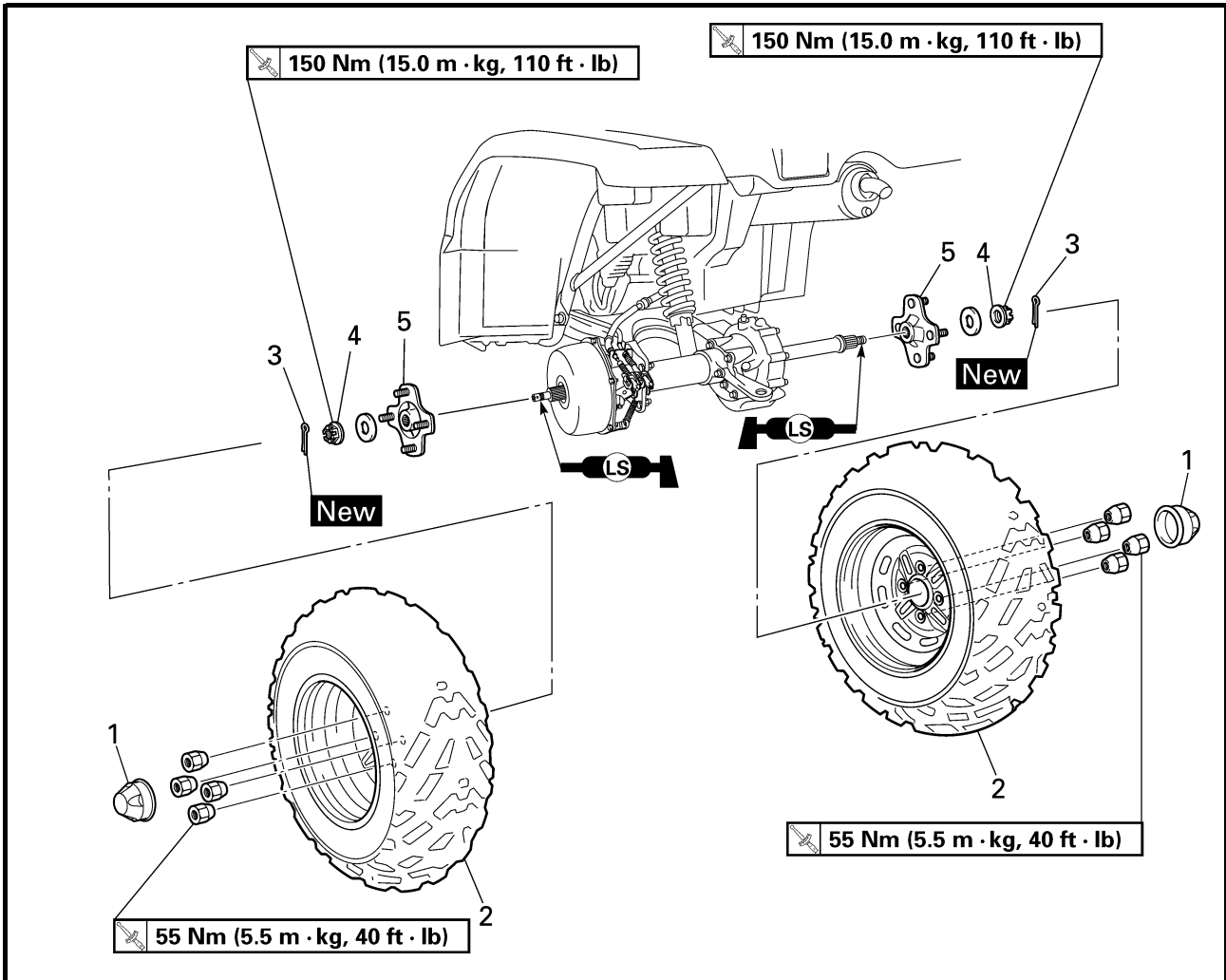
FRONT AND REAR WHEELS

FRONT WHEELS

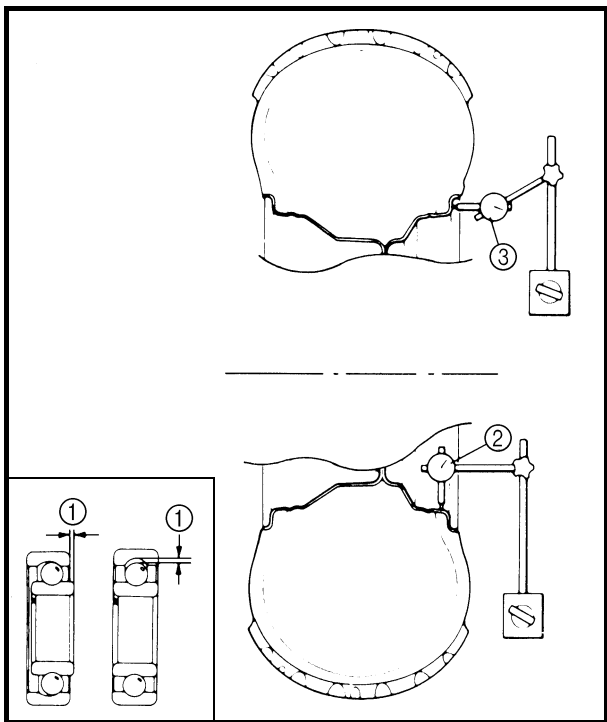


Order	Job name/Part name	Q'ty	Remarks
	Removing the front wheels		Remove the parts in the order below. Place the machine on a level surface.
			⚠ WARNING _____ Securely support the machine so there is no danger of it falling over.
1	Front wheel	1	Refer to "INSTALLING THE WHEELS".
2	Wheel cap	1] Refer to "INSTALLING THE WHEEL HUBS".
3	Cotter pin	1	
4	Axle nut	1	
5	Brake caliper assembly	1	
6	Wheel hub	1	
7	Brake disc	1	
			For installation, reverse the removal procedure.

REAR WHEELS




Order	Job name/Part name	Q'ty	Remarks
	Removing the rear wheels		Remove the parts in the order below. Place the machine on a level surface.
			⚠ WARNING _____ Securely support the machine so there is no danger of it falling over.
1	Wheel cap	2	
2	Rear wheel	2	Refer to "INSTALLING THE WHEELS".
3	Cotter pin	2	Refer to "INSTALLING THE WHEEL HUBS".
4	Axle nut	2	
5	Wheel hub	2	For installation, reverse the removal procedure.

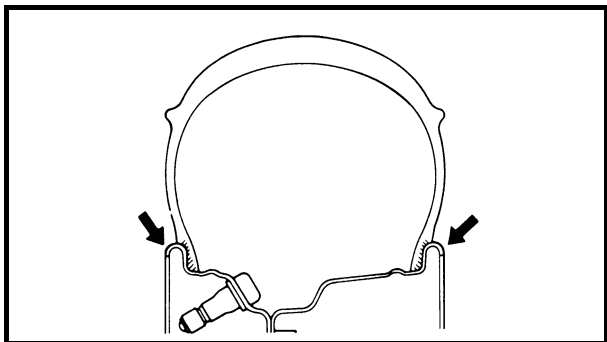


CHECKING THE WHEELS

1. Check:
 - Wheel
2. Measure:
 - Wheel runout
 - Over the specified limit → Replace the wheel or check the wheel bearing plays ①.

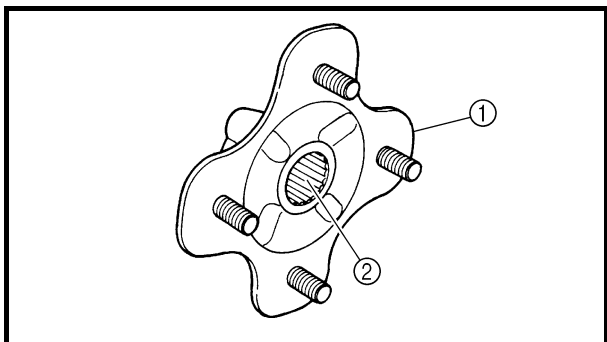
	Wheel runout limit:
	Radial ②: 2.0 mm (0.08 in)
	Lateral ③: 2.0 mm (0.08 in)

3. Check:
 - Wheel balance
 - Out of balance → Adjust.



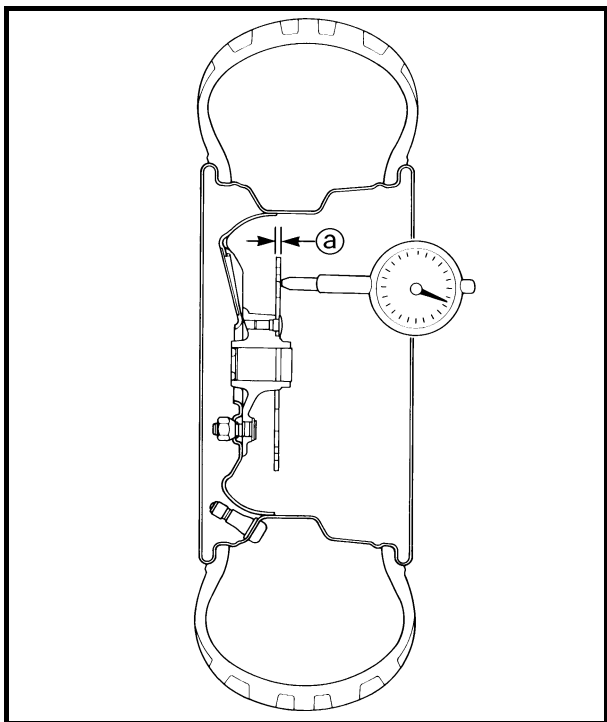
⚠ WARNING

After replacing the tire, ride conservatively to allow the tire to be properly seated in the rim. Failure to do so may cause an accident resulting in machine damage and possible operator injury.




CHECKING THE WHEEL HUBS

1. Check:
 - Wheel hub ①
 - Cracks/damage → Replace.
 - Splines (wheel hub) ②
 - Wear/damage → Replace.




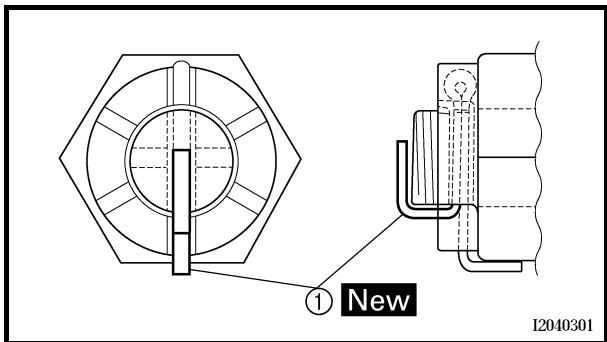
CHECKING THE BRAKE DISCS

1. Check:
 - Brake disc
 - Galling/damage → Replace.
2. Measure:
 - Brake disc deflection
 - Out of specification → Check the wheel runout.
 - If wheel runout is within the limits, replace the brake disc.


	Brake disc maximum deflection: 0.15 mm (0.006 in)
---	---

- Brake disc thickness ①
 - Out of specification → Replace.

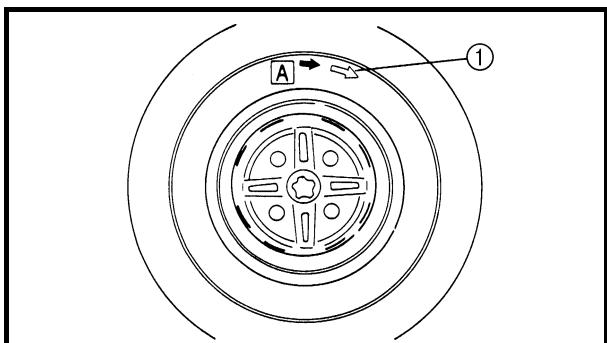
	Brake disc minimum thickness: 3 mm (0.12 in)
---	--



INSTALLING THE WHEEL HUBS

1. Install:
 - Axle nut  150 Nm (15.0 m • kg, 110 ft • lb)
 - Cotter pin ① **New**

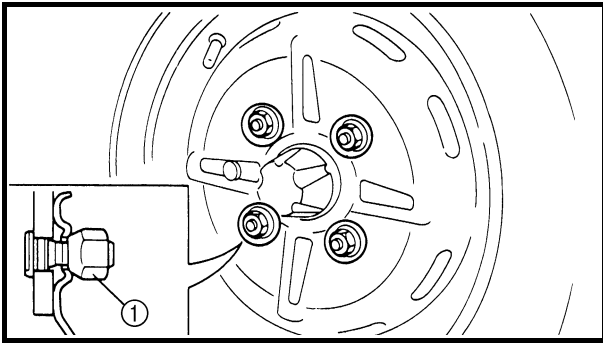
NOTE: Do not loosen the axle nut after torquing it. If the axle nut groove is not aligned with the cotter pin hole, align the groove with the hole by tightening the axle nut.



INSTALLING THE WHEELS

1. Install:
 - Wheel

NOTE: The arrow mark ① on the tire must point in the direction of rotation A of the wheel.



2. Install:


- Nuts (wheel) ①

⚠ WARNING


Tapered wheel nuts ① are used for both the front and rear wheels. Install each nut with its tapered side towards the wheel.

3. Tighten:

- Nuts (front wheels)

 64 Nm (6.4 m • kg, 46 ft • lb)

- Nuts (rear wheels)

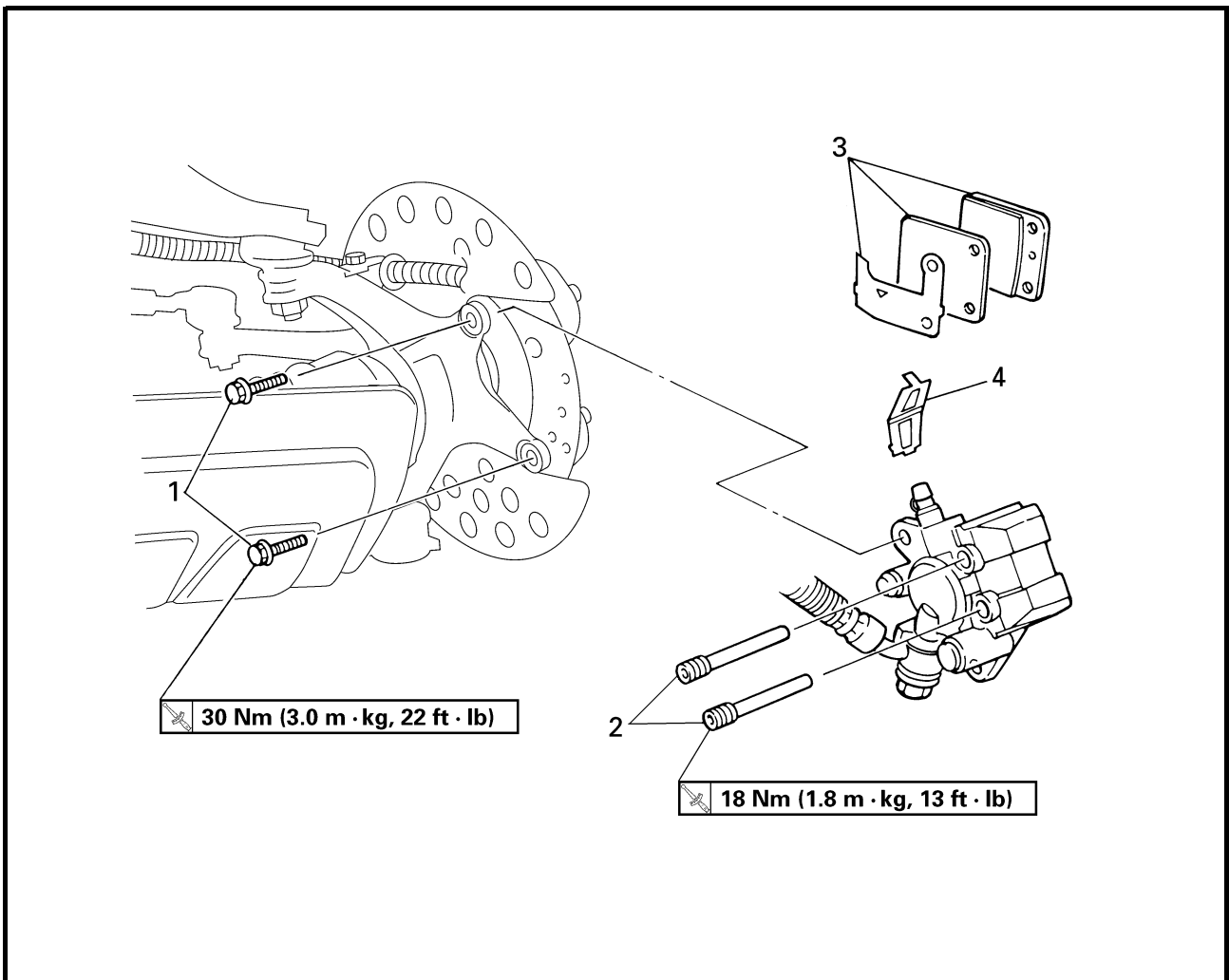
 55 Nm (5.5 m • kg, 40 ft • lb)

NOTE:

Tighten the nuts in stages and in a crisscross pattern.



FRONT BRAKE
FRONT BRAKE PADS



Order	Job name/Part name	Q'ty	Remarks
	Removing the front brake pads		
	Front wheel		Remove the parts in the order below. Refer to "FRONT AND REAR WHEELS".
1	Brake caliper mounting bolt	2	Refer to "REPLACING THE FRONT BRAKE PADS".
2	Brake pad holding bolt	2	
3	Brake pad/pad shim	2/1	
4	Pad spring	1	
			For installation, reverse the removal procedure.

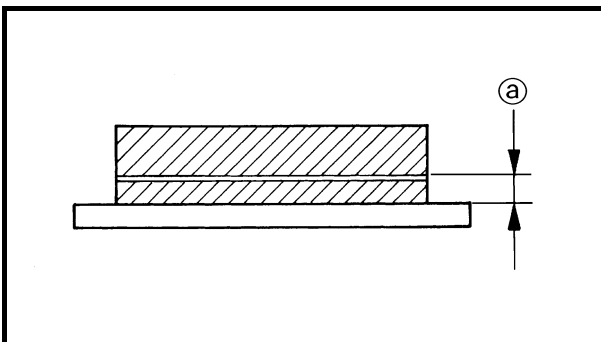
**CAUTION:**

Disc brake components rarely require disassembly. DO NOT:

- disassemble components unless absolutely necessary;
- use solvents on internal brake components;
- use spent brake fluid for cleaning; (use only clean brake fluid)
- allow brake fluid to come in contact with the eyes, as this may cause eye injury;
- splash brake fluid onto painted surfaces or plastic parts, as this may cause damage;
- disconnect any hydraulic connection, as this would require the entire brake system to be disassembled, drained, cleaned, properly filled and bled after reassembly.

REPLACING THE FRONT BRAKE PADS**NOTE:**

It is not necessary to disassemble the brake caliper and brake hose to replace the brake pads.

**1. Measure:**

- Brake pad wear limit (a)
Out of specification → Replace the brake pads as a set.



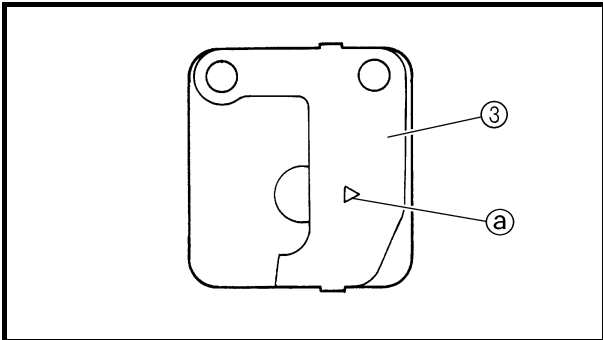
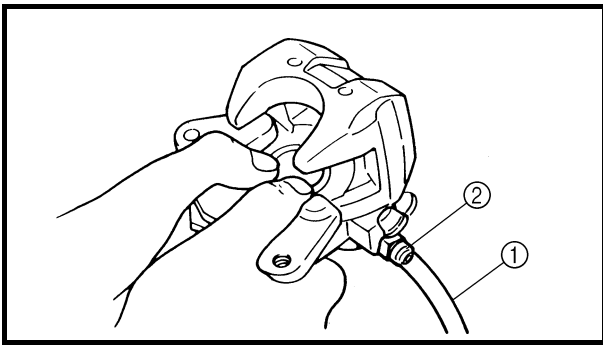
Brake pad wear limit:
1 mm (0.04 in)

2. Install:

- Brake pads
- Brake pad spring

NOTE:

Always install new brake pads, brake pad shim and brake pad spring as a set.



Installation steps:

- Connect a suitable hose ① tightly to the brake caliper bleed screw ②. Put the other end of this hose into an open container.
- Loosen the brake caliper bleed screw and, using a finger, push the caliper piston into the brake caliper.
- Tighten the brake caliper bleed screw.



Brake caliper bleed screw:
6 Nm (0.6 m • kg, 4.3 ft • lb)

- Install new brake pads, new pad shim ③ and a new brake pad spring.
- Install the holding bolts and brake caliper.

NOTE:

The arrow mark ② on the pad shim must point in the direction of the disc rotation.



Brake pad holding bolt:
18 Nm (1.8 m • kg, 13 ft • lb)
Brake caliper mounting bolt:
30 Nm (3.0 m • kg, 22 ft • lb)

3.Check:

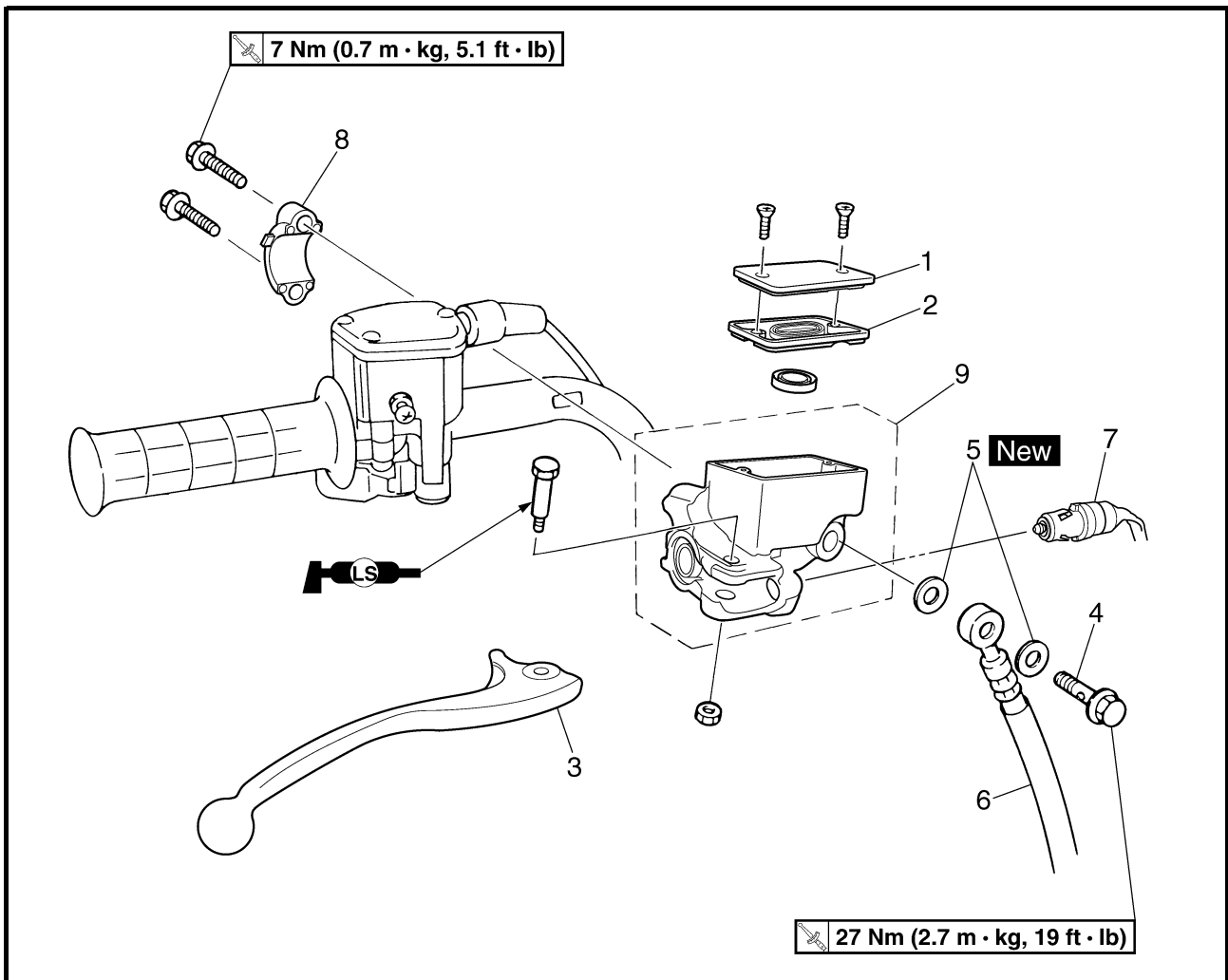
- Brake fluid level
 Refer to “CHECKING THE FRONT BRAKE FLUID LEVEL” in CHAPTER 3.

4.Check:

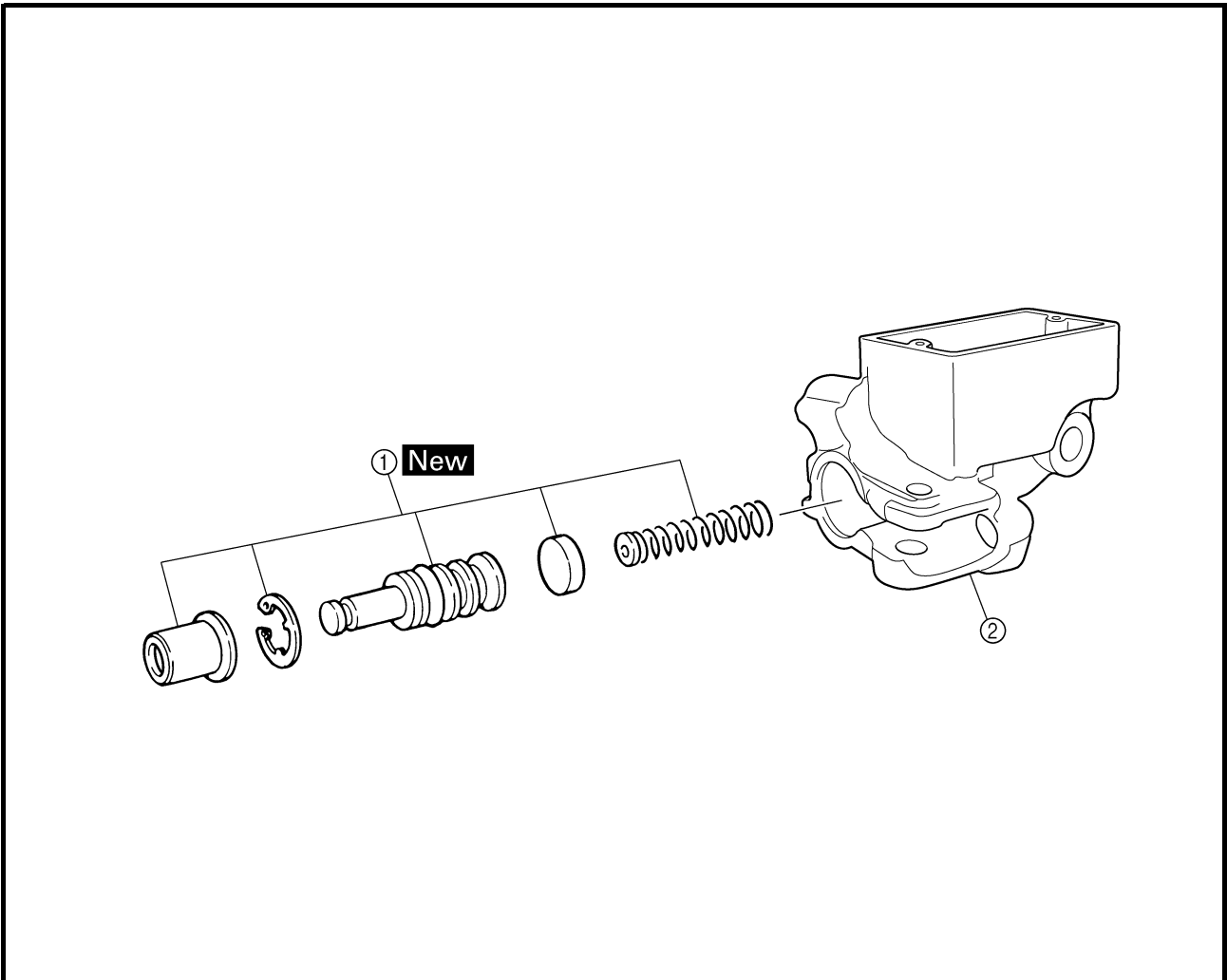
- Brake lever operation
 Soft or spongy feeling → Bleed the front brake system.
 Refer to “BLEEDING THE HYDRAULIC BRAKE SYSTEM” in CHAPTER 3.



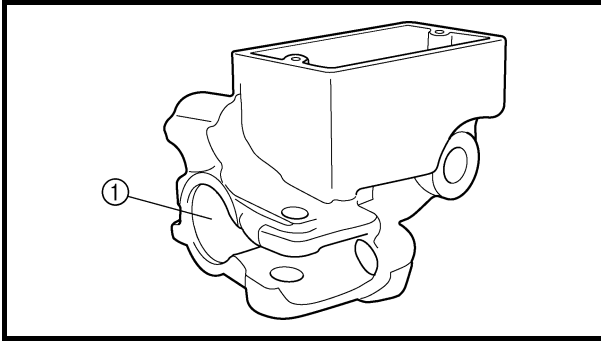
FRONT BRAKE MASTER CYLINDER



Order	Job name/Part name	Q'ty	Remarks
	Removing the front brake master cylinder		Remove the parts in the order below.
	Brake fluid		Drain.
1	Brake fluid reservoir cap	1	
2	Brake fluid reservoir diaphragm	1	
3	Brake lever	1	
4	Union bolt	1	
5	Copper washer	2	
6	Brake hose	1	Refer to "INSTALLING THE FRONT BRAKE MASTER CYLINDER".
7	Front brake light switch	1	
8	Brake master cylinder bracket	1	
9	Brake master cylinder	1	
			For installation, reverse the removal procedure.

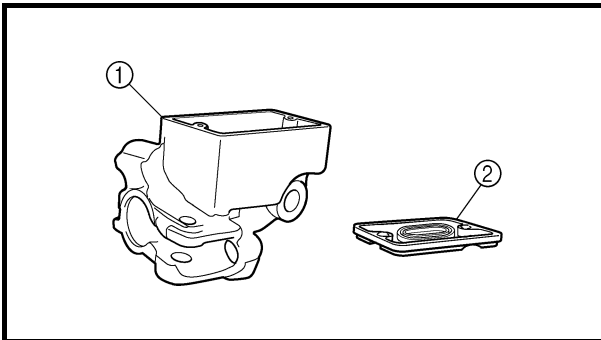


Order	Job name/Part name	Q'ty	Remarks
	Disassembling the front brake master cylinder		Remove the parts in the order below.
①	Brake master cylinder kit	1	Refer to "ASSEMBLING THE FRONT BRAKE MASTER CYLINDER". For assembly, reverse the disassembly procedure.
②	Brake master cylinder	1	

**CHECKING THE MASTER CYLINDER**

1. Check:

- Brake master cylinder ①
Wear/scratches → Replace the brake master cylinder assembly.
- Brake master cylinder body
Cracks/damage → Replace.
- Brake fluid delivery passage (brake master cylinder body)
Blockage → Blow out with compressed air.



2. Check:

- Front brake master cylinder reservoir ①
- Front brake master cylinder reservoir diaphragm ②
Cracks/damage → Replace.

EB702060

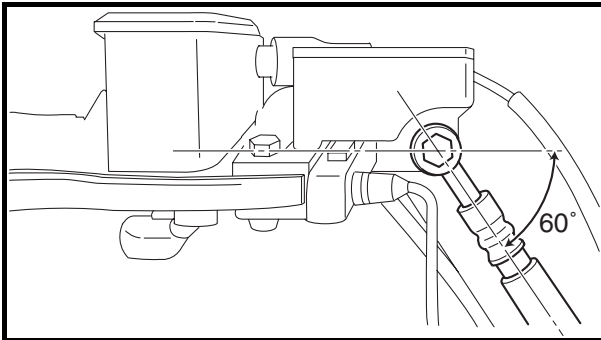
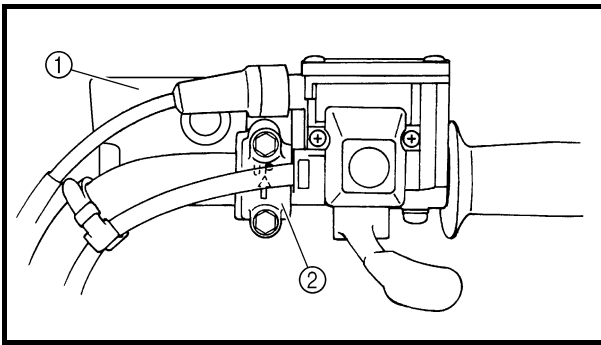
ASSEMBLING THE FRONT BRAKE MASTER CYLINDER**⚠ WARNING**

- All internal brake components should be cleaned and lubricated with new brake fluid only before installation.



Recommended brake fluid:
DOT 4

- Whenever a master cylinder is disassembled, replace the piston seals and dust seals.



INSTALLING THE FRONT BRAKE MASTER CYLINDER

1. Install:

- Brake master cylinder ①
- Brake master cylinder bracket ②

7 Nm (0.7 m • kg, 5.1 ft • lb)

NOTE:

The “UP” mark on the brake master cylinder bracket ② should face up.

2. Install:

- Copper washers **New**

- Brake hose

- Union bolt

27 Nm (2.7 m • kg, 19 ft • lb)

NOTE:

- Tighten the union bolt while holding the brake hose as shown.
- Turn the handlebar to the left and to the right to check that the brake hose does not touch other parts (throttle cable, wire harness, leads, etc.). Correct if necessary.

WARNING

Proper brake hose routing is essential to insure safe machine operation. Refer to “CABLE ROUTING” in CHAPTER 2.

3. Fill:

- Brake fluid reservoir



**Recommended brake fluid:
DOT 4**

CAUTION:

Brake fluid may damage painted surfaces or plastic parts. Always clean up spilled brake fluid immediately.

WARNING

- Use only the designated quality brake fluid: other brake fluids may deteriorate the rubber seals, causing leakage and poor brake performance.
- Refill with the same type of brake fluid: mixing brake fluids may result in a harmful chemical reaction and lead to poor brake performance.



- Be careful that water does not enter the brake master cylinder when refilling. Water will significantly lower the boiling point of the brake fluid and may result in vapor lock.
-

4. Air bleed:

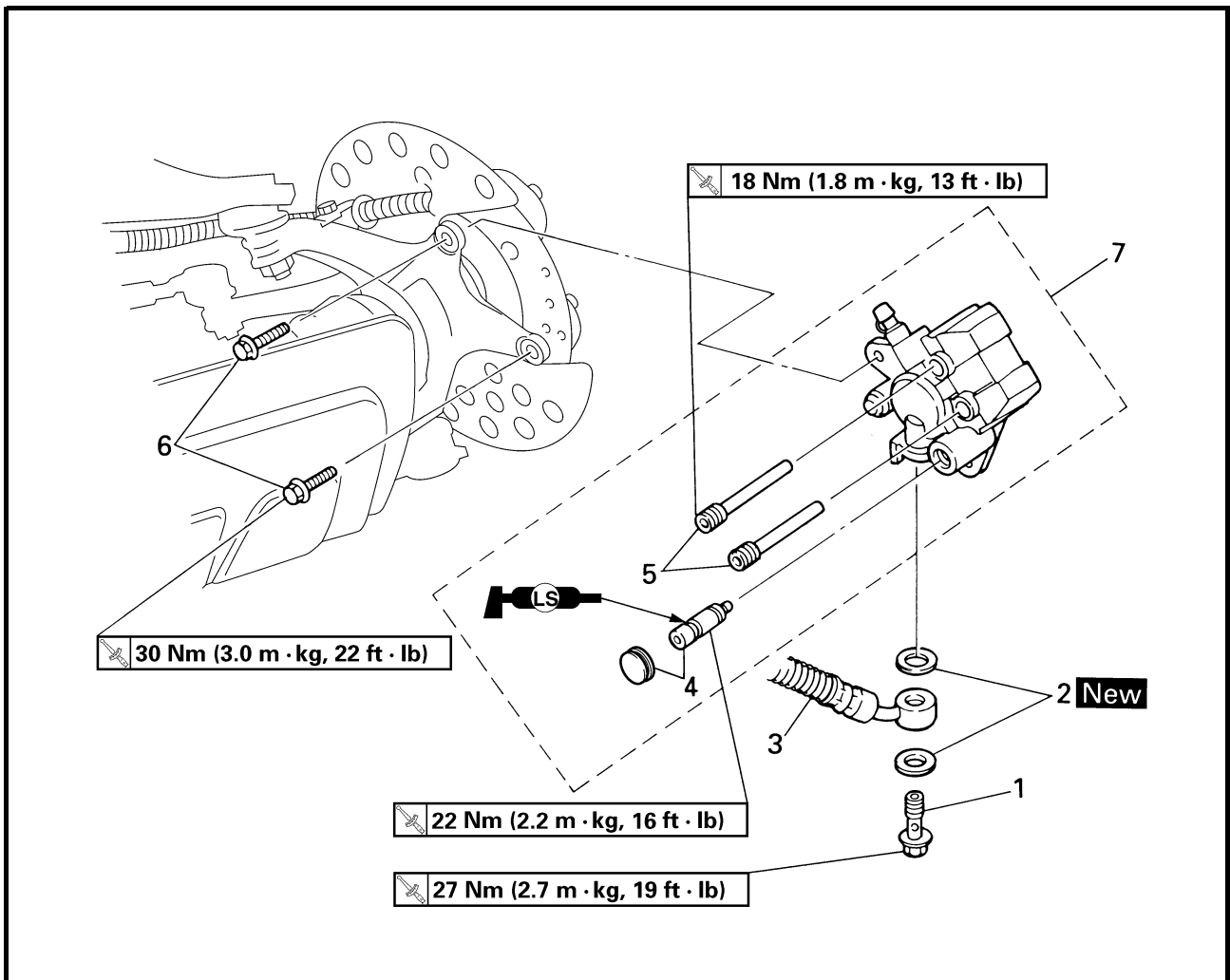
- Brake system
Refer to “BLEEDING THE HYDRAULIC BRAKE SYSTEM” in CHAPTER 3.

5. Check:

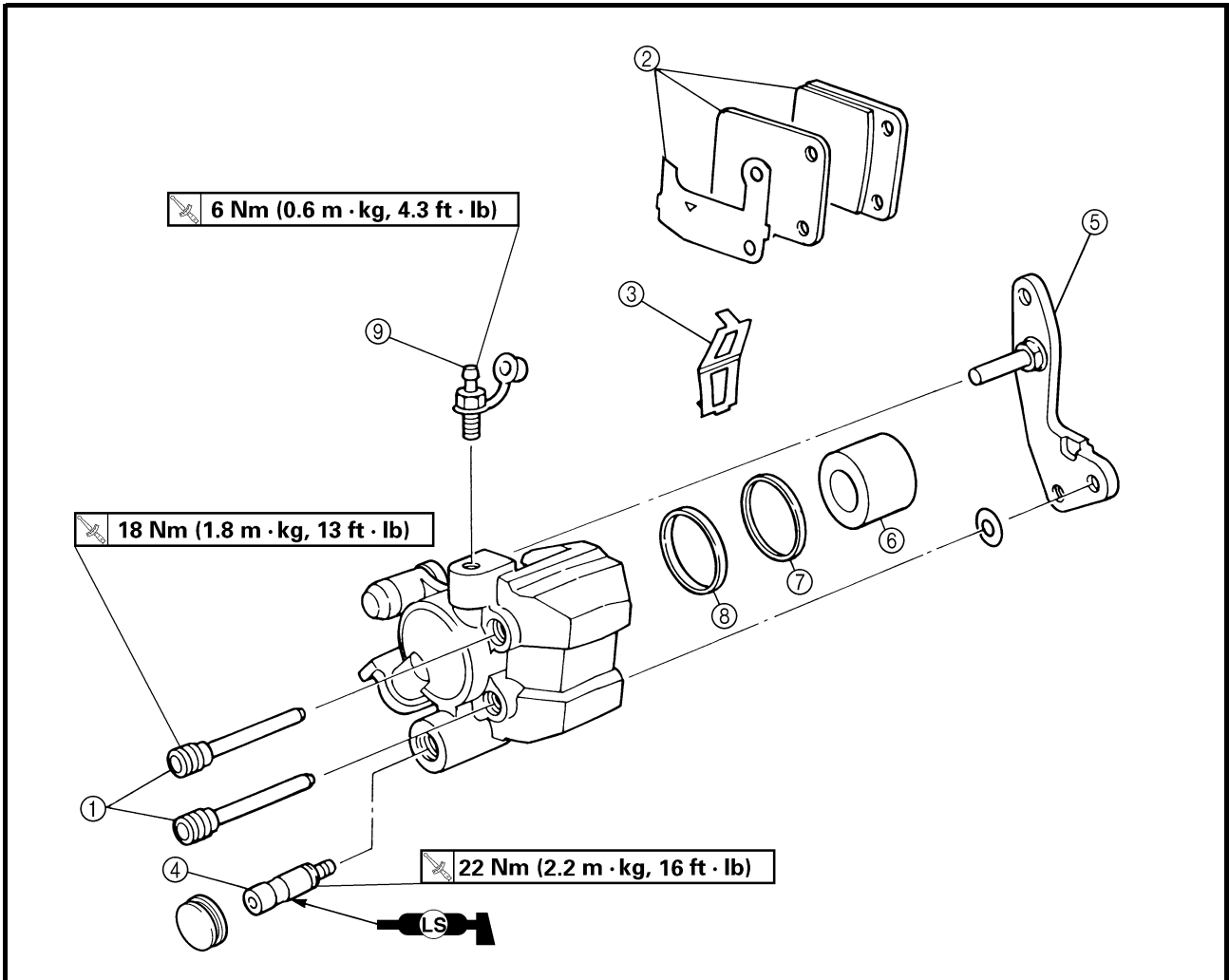
- Brake fluid level
Brake fluid level is under the “LOWER” level line → Fill up.
Refer to “CHECKING THE FRONT BRAKE FLUID LEVEL” in CHAPTER 3.



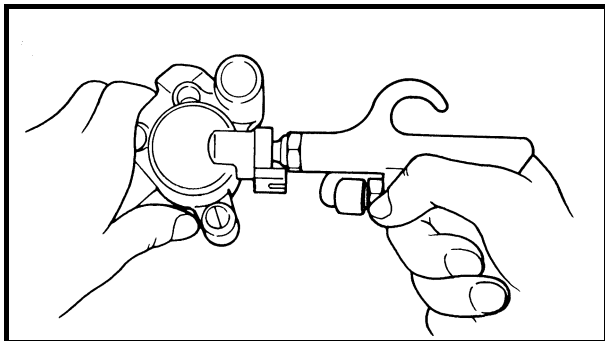
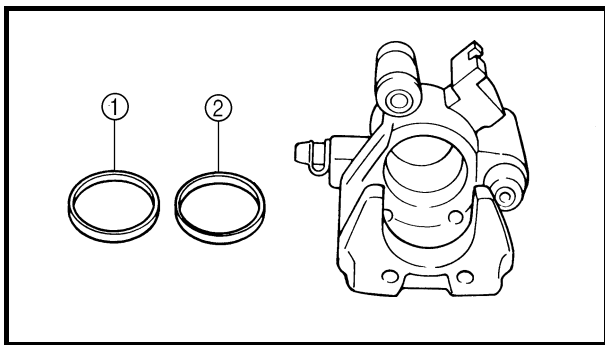
FRONT BRAKE CALIPER



Order	Job name/Part name	Q'ty	Remarks
	Removing the front brake calipers		Remove the parts in the order below.
	Brake fluid		Drain.
	Front wheel		Refer to "FRONT AND REAR WHEELS".
1	Union bolt	1	Disconnect. Refer to "INSTALLING THE FRONT BRAKE CALIPERS". Loosen. Loosen.
2	Copper washer	2	
3	Brake hose	1	
4	Cap/retaining bolt	1/1	
5	Brake pad holding bolt	2	
6	Brake caliper mounting bolt	2	
7	Brake caliper assembly	1	
			For installation, reverse the removal procedure.



Order	Job name/Part name	Q'ty	Remarks
	Disassembling the front brake calipers		Remove the parts in the order below.
①	Brake pad holding bolt	2	Refer to "DISASSEMBLING/ ASSEMBLING THE FRONT BRAKE CALIPERS". For assembly, reverse the disassembly procedure.
②	Brake pad/pad shim	2/1	
③	Pad spring	1	
④	Retaining bolt	1	
⑤	Caliper bracket	1	
⑥	Brake caliper piston	1	
⑦	Dust seal	1	
⑧	Caliper piston seal	1	
⑨	Bleed screw	1	



DISASSEMBLING THE FRONT BRAKE CALIPERS

1.Remove:

- Brake caliper piston
- Dust seal ①
- Caliper piston seal ②

Removal steps:

- Blow compressed air into the hose joint opening to force out the caliper piston from the brake caliper body.

⚠ WARNING

- Never try to pry out the caliper piston.
- Cover the caliper piston with a rag. Be careful not to get injured when the piston is expelled from the master cylinder.

- Remove the caliper piston seals.

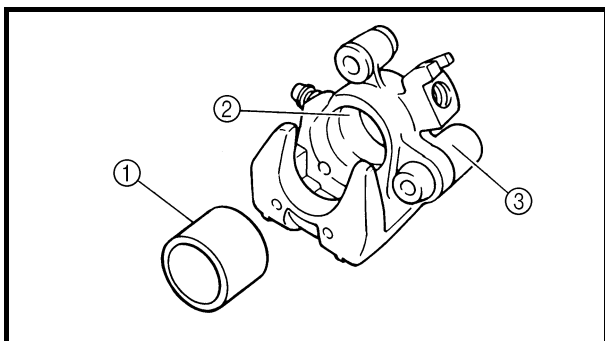
EB702040

CHECKING THE FRONT BRAKE CALIPERS

Recommended brake component replacement schedule:	
Brake pads	As required
Piston seal, dust seal	Every two years
Brake hoses	Every two years
Brake fluid	Replace when brakes are disassembled.

⚠ WARNING

All internal brake components should be cleaned in new brake fluid only. Do not use solvents as they will cause seals to swell and distort.



1.Check:

- Brake caliper piston ①
Scratches/rust/wear → Replace the brake caliper assembly.
- Brake caliper cylinder ②
Wear/scratches → Replace the brake caliper assembly.
- Brake caliper body ③
Cracks/damage → Replace.



- Brake fluid delivery passage (brake caliper body)
Blockage → Blow out with compressed air.

⚠ WARNING

Replace the caliper piston seal and dust seal whenever the brake caliper is disassembled.

ASSEMBLING THE FRONT BRAKE CALIPERS

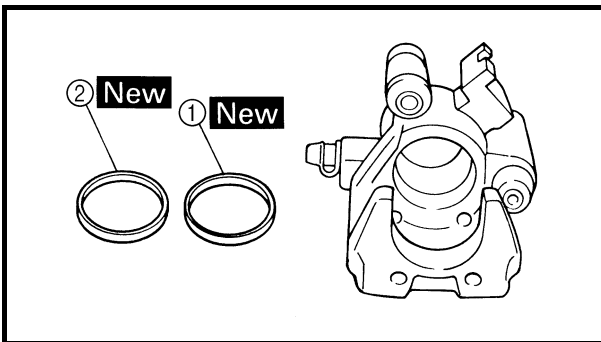
⚠ WARNING

- All internal brake components should be cleaned and lubricated with new brake fluid only before installation.



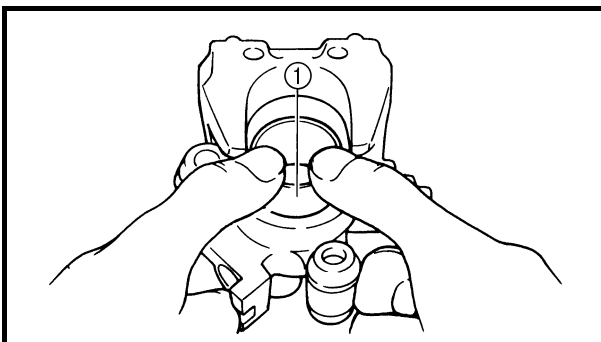
Recommended brake fluid:
DOT 4

- Replace the caliper piston seal whenever a brake caliper is disassembled.



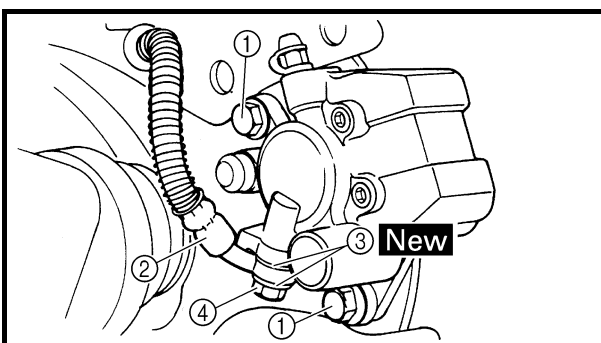
1. Install:

- Caliper piston seal ① **New**
- Dust seal ② **New**



2. Install:

- Brake caliper piston ①



INSTALLING THE FRONT BRAKE CALIPERS

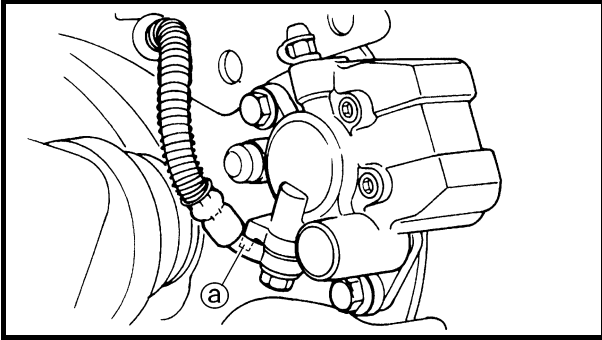
1. Install:

- Brake caliper assembly
- Brake caliper mounting bolts ①

30 Nm (3.0 m • kg, 22 ft • lb)

- Brake hose ②
- Copper washers ③ **New**
- Union bolt ④

27 Nm (2.7 m • kg, 19 ft • lb)

**CAUTION:**

When installing the brake hose on the brake caliper, make sure that the brake pipe touches the projection (a) on the brake caliper.

⚠ WARNING

Proper brake hose routing is essential to insure safe motorcycle operation. Refer to "CABLE ROUTING" in CHAPTER 2.

2.Fill:

- Brake reservoir



Recommended brake fluid:
DOT 4

CAUTION:

Brake fluid may damage painted surfaces or plastic parts. Always clean up spilled brake fluid immediately.

⚠ WARNING

- Use only the designated quality brake fluid: other brake fluids may deteriorate the rubber seals, causing leakage and poor brake performance.
- Refill with the same type of brake fluid: mixing brake fluids may result in a harmful chemical reaction and lead to poor brake performance.
- Be careful that water does not enter the master cylinder when refilling. Water will significantly lower the boiling point of the brake fluid and may result in vapor lock.

3.Air bleed

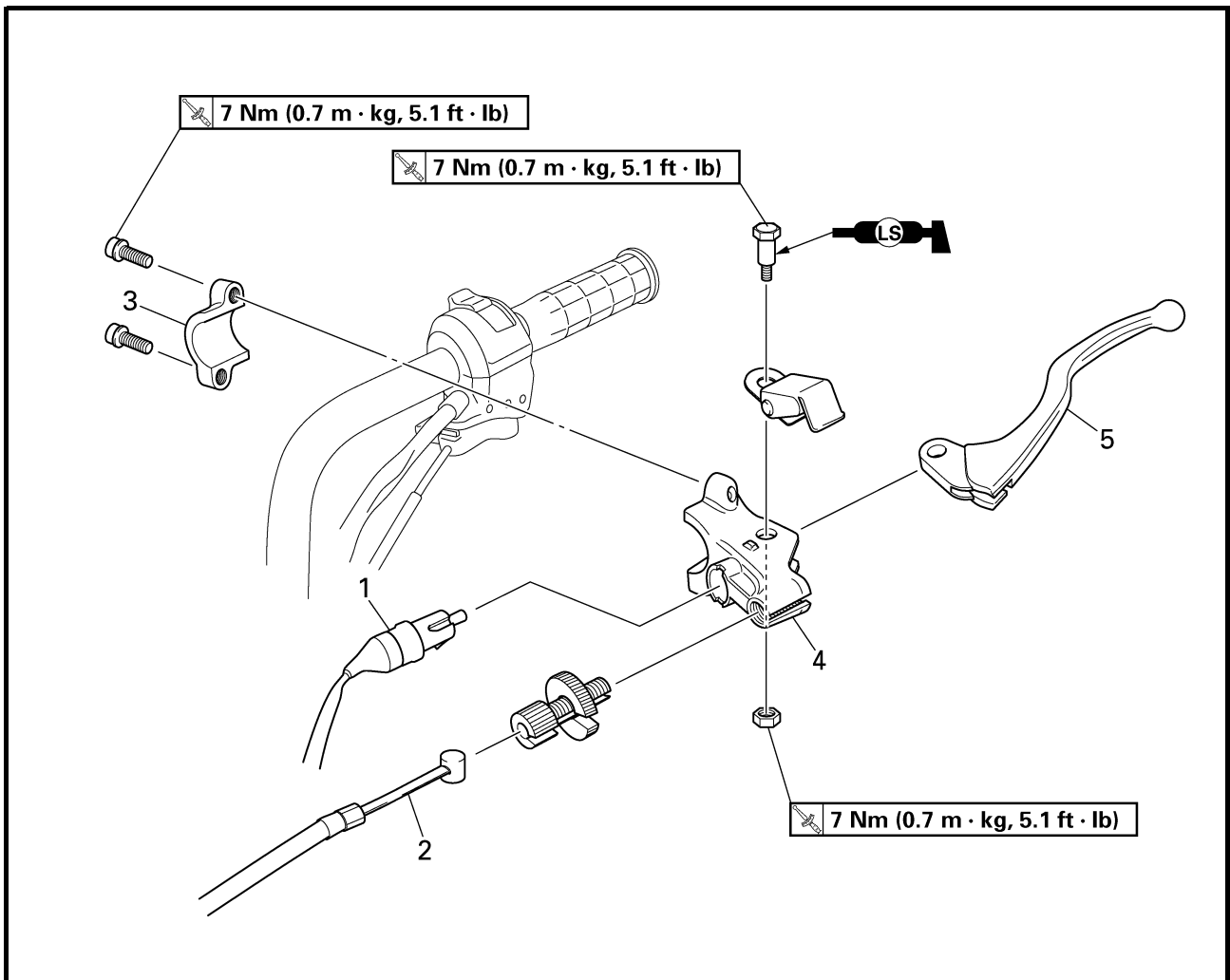
- Brake system
Refer to "BLEEDING THE HYDRAULIC BRAKE SYSTEM" in CHAPTER 3.

4.Check:

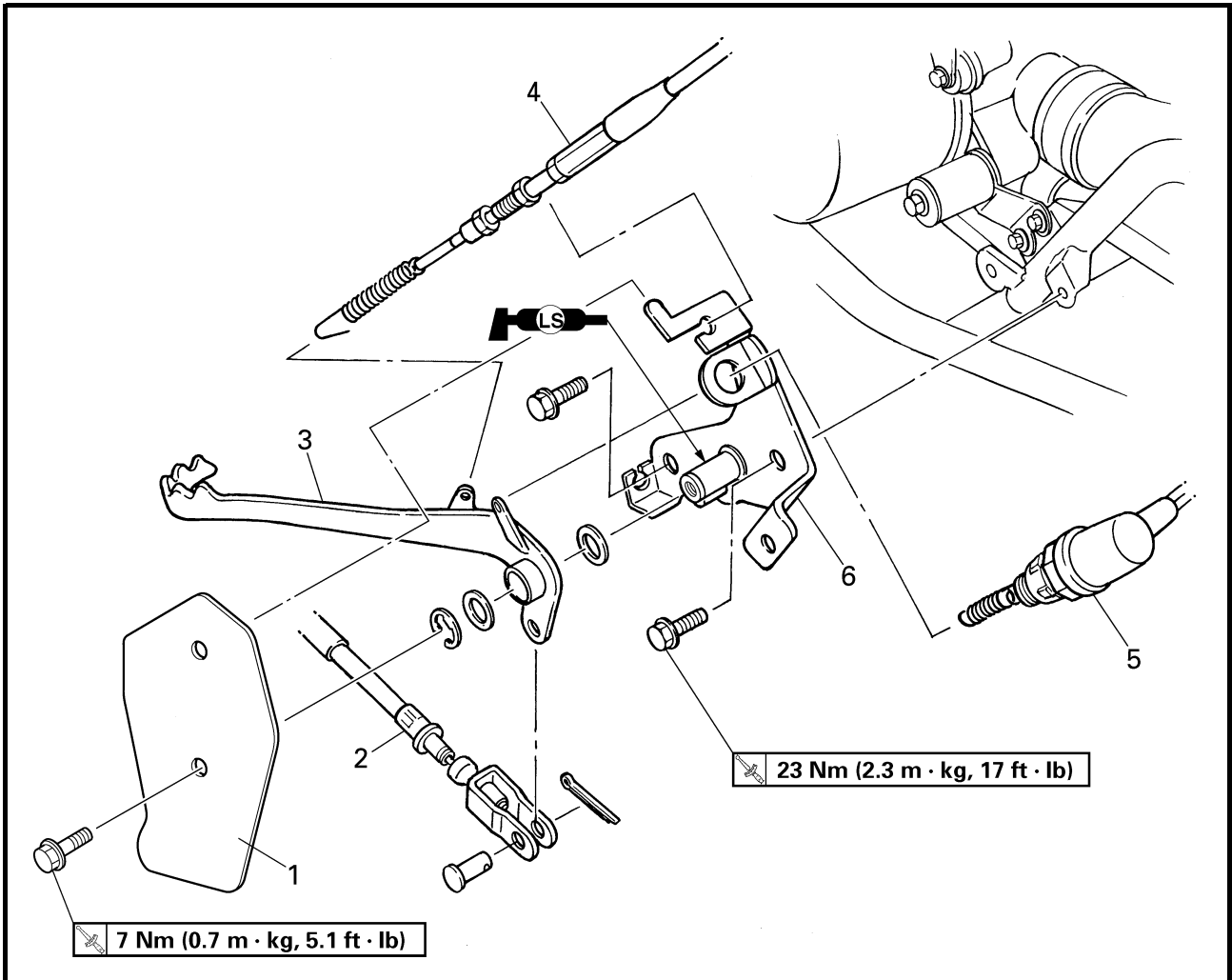
- Brake fluid level
Brake fluid level is under the "LOWER" level line → Fill up.
Refer to "CHECKING THE FRONT BRAKE FLUID LEVEL" in CHAPTER 3.



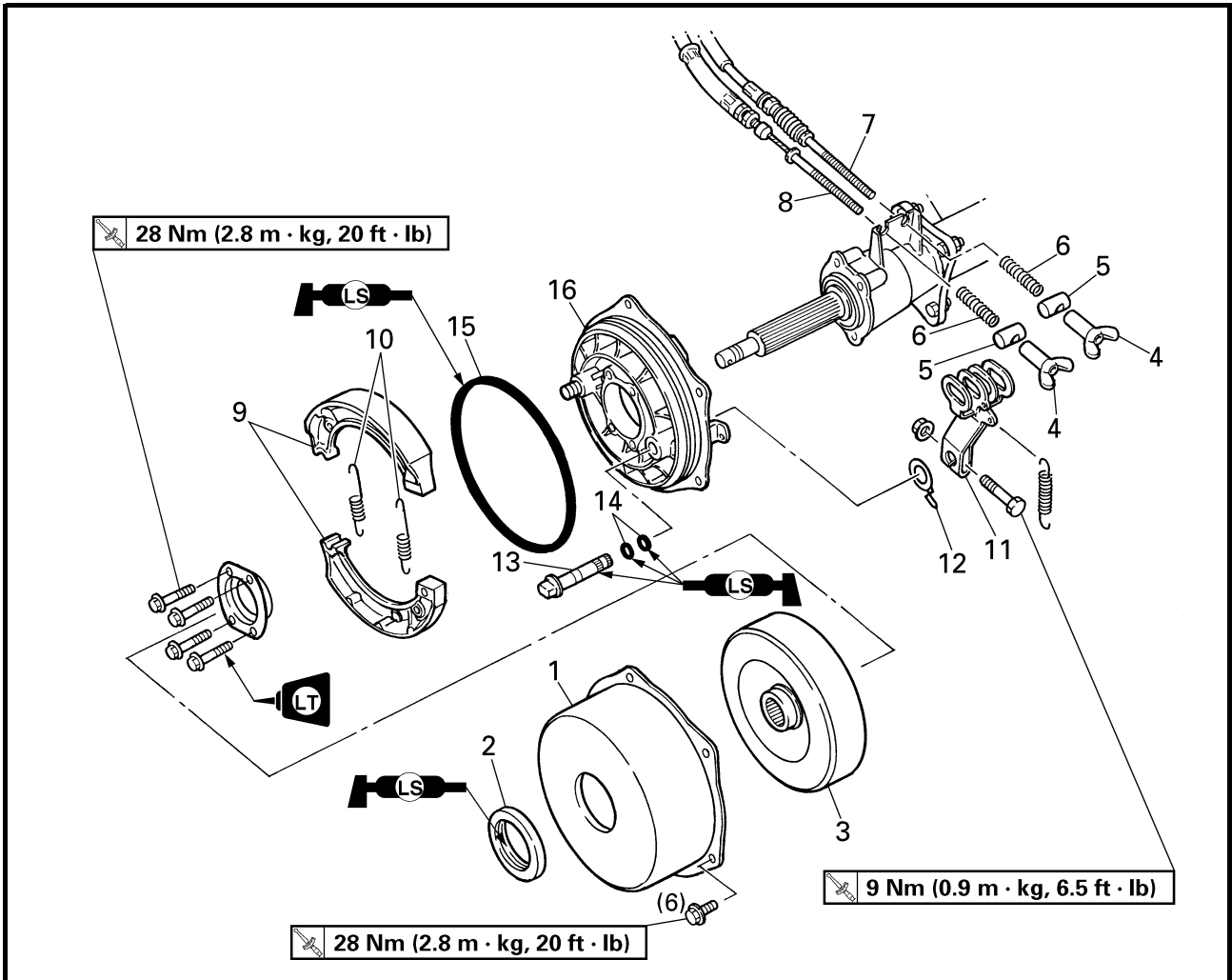
REAR BRAKE



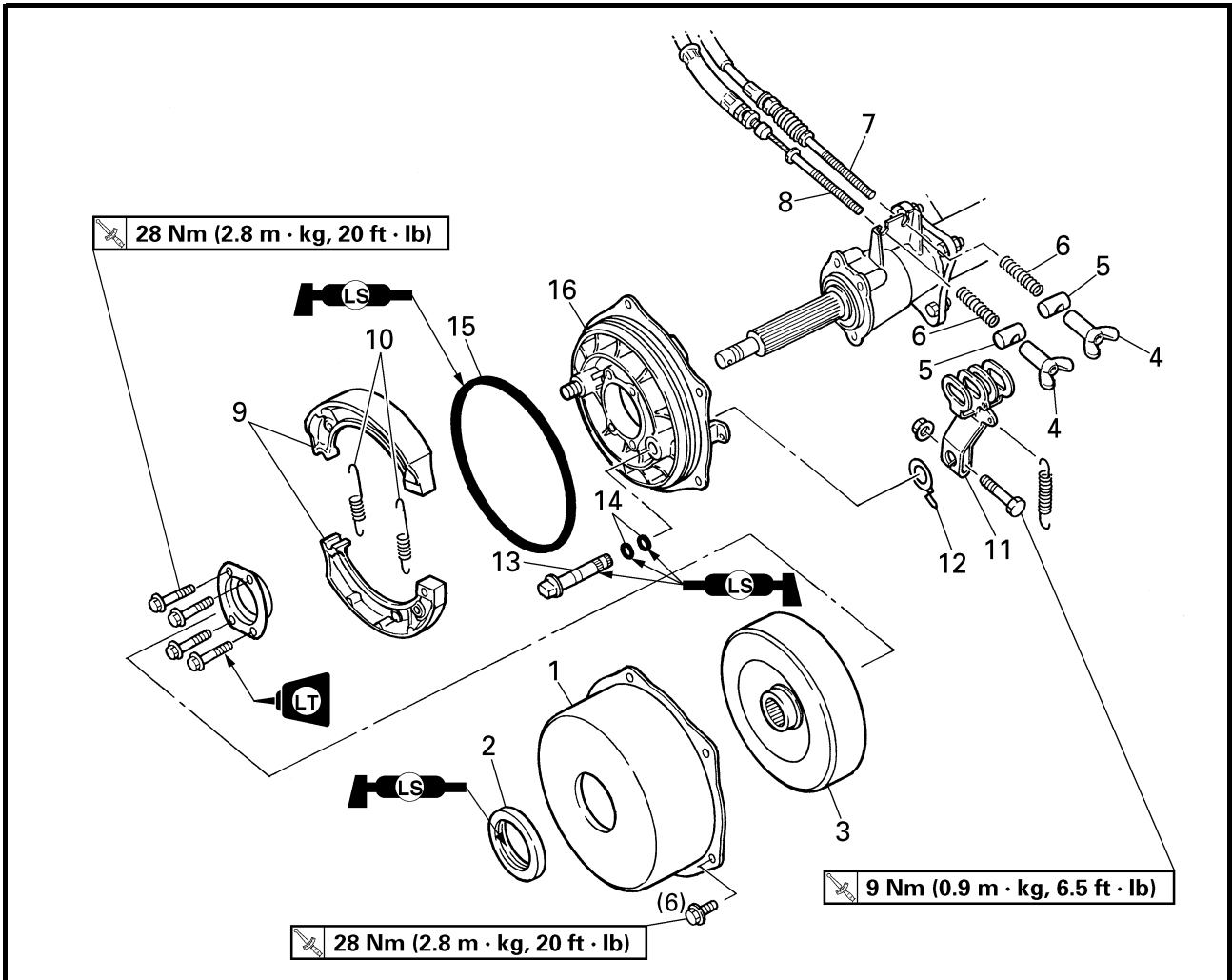
Order	Job name/Part name	Q'ty	Remarks
	Removing the rear brake lever		Remove the parts in the order below.
1	Rear brake switch	1	
2	Rear brake lever cable	1	
3	Rear brake lever holder bracket	1	
4	Rear brake lever holder	1	
5	Rear brake lever	1	
			For installation, reverse the removal procedure.



Order	Job name/Part name	Q'ty	Remarks
	Removing the rear brake pedal		Remove the parts in the order below.
1	Rear brake light switch cover	1	
2	Rear brake pedal cable	1	
3	Brake pedal	1	
4	Select lever control cable	1	
5	Rear brake light switch	1	
6	Bracket	1	
			For installation, reverse the removal procedure.



Order	Job name/Part name	Q'ty	Remarks
	Removing the rear brake drum		Remove the parts in the order below. Refer to "FRONT AND REAR WHEELS"
	Rear wheel (left)		
1	Brake drum cover	1	
2	Dust seal	1	
3	Brake drum	1	
4	Adjusting nut	2	
5	Pin	2	
6	Spring	2	
7	Rear brake lever cable	1	
8	Rear brake pedal cable	1	
9	Brake shoe	2	
10	Brake shoe spring	2	



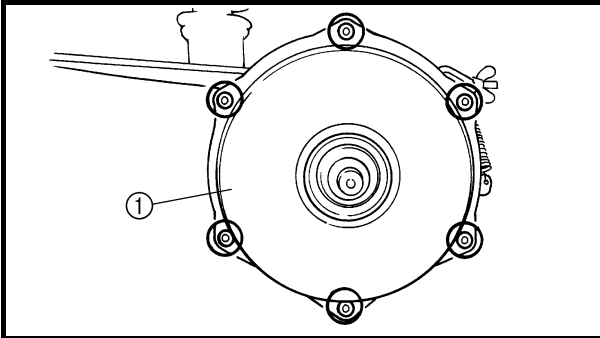
Order	Job name/Part name	Q'ty	Remarks
11	Brake camshaft lever	1	For installation, reverse the removal procedure.
12	Brake shoe wear indicator	1	
13	Brake camshaft	1	
14	O-ring	2	
15	Dust seal	1	
16	Brake shoe plate	1	



REMOVING THE REAR BRAKE

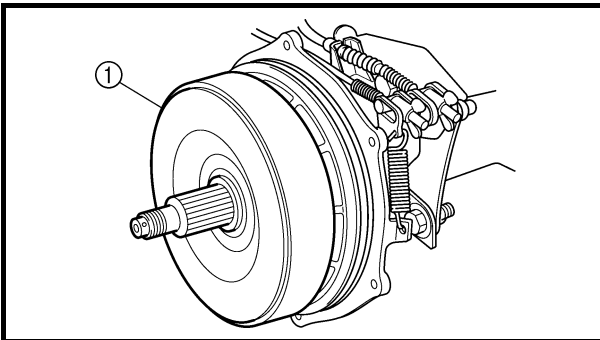
1.Remove:

- Rear wheel (left)
 - Rear wheel hub (left)
- Refer to "FRONT AND REAR WHEELS".



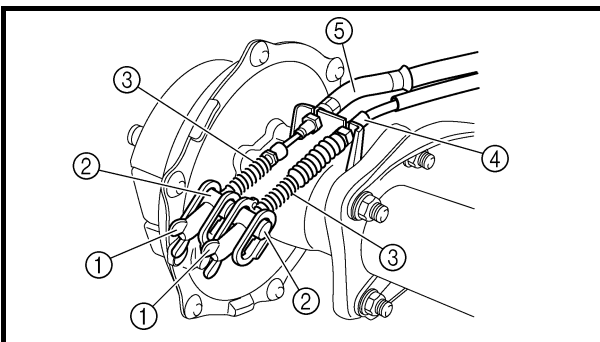
2.Remove:

- Brake drum cover ①



3.Remove:

- Brake drum ①

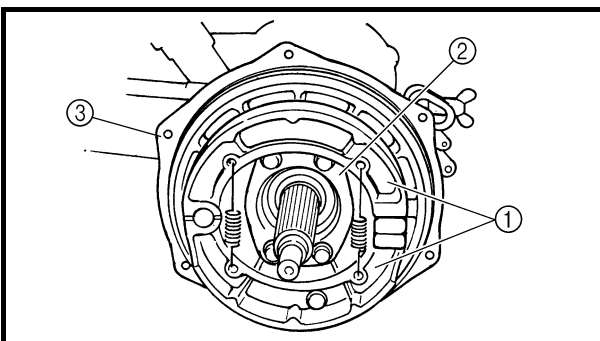


4.Remove:

- Adjusting nuts ①
- Pins ②
- Springs ③

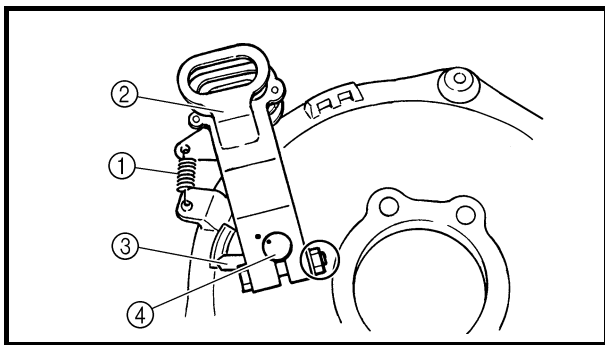
5.Disconnect:

- Rear brake lever cable ④
- Rear brake pedal cable ⑤



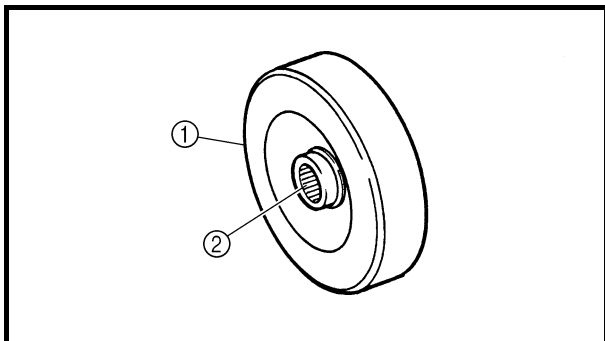
6.Remove:

- Brake shoes ①
- Bearing retainer ②
- Brake shoe plate ③



7.Remove:

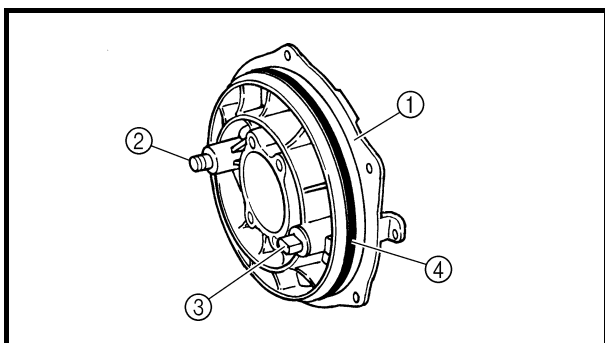
- Spring ①
- Brake camshaft lever ②
- Brake shoe wear indicator ③
- Brake camshaft ④



CHECKING THE REAR BRAKE

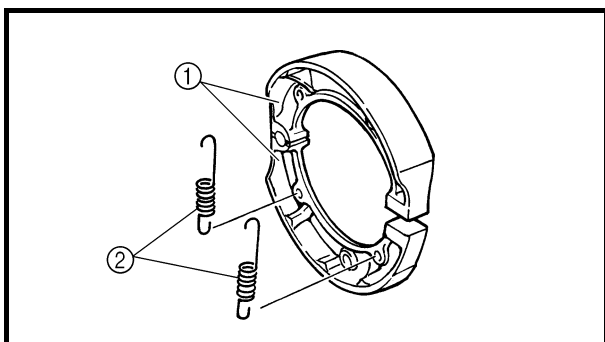
1.Check:

- Brake drum ①
Cracks/damage → Replace.
- Splines (wheel drum) ②
Wear/damage → Replace.



2.Check:

- Brake shoe plate ①
- Pivot pin ②
- Brake camshaft ③
Bends/cracks/damage → Replace.
- Dust seal ④
Wear/damage → Replace.

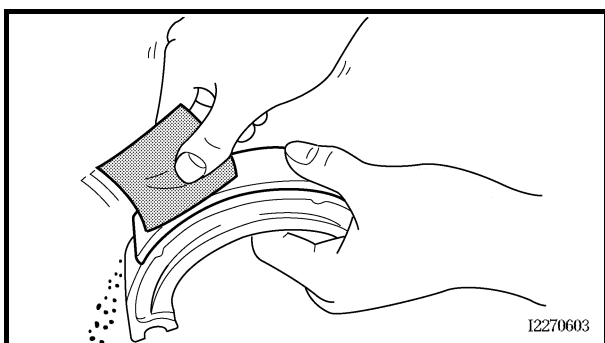


3.Check:

- Brake shoes ①
- Brake shoe springs ②
Cracks/damage → Replace as a set.

NOTE:

When replacing the brake shoes, replace the brake shoe springs at the same time.

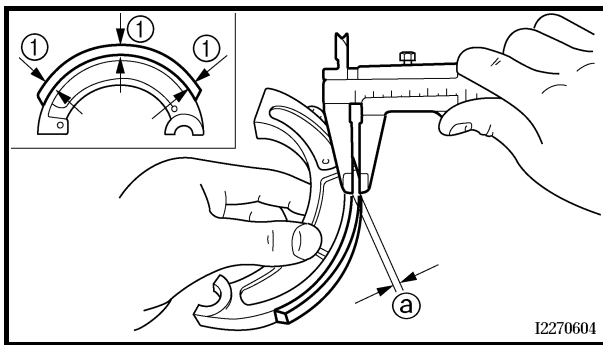


4.Check:

- Brake shoe lining
Glazed areas → Repair.
Sand the glazed areas with coarse sandpaper.

NOTE:

After sanding the glazed areas, clean the brake shoe with a cloth.



5.Measure:

- Brake shoe lining thickness (a)
Out of specification → Replace.

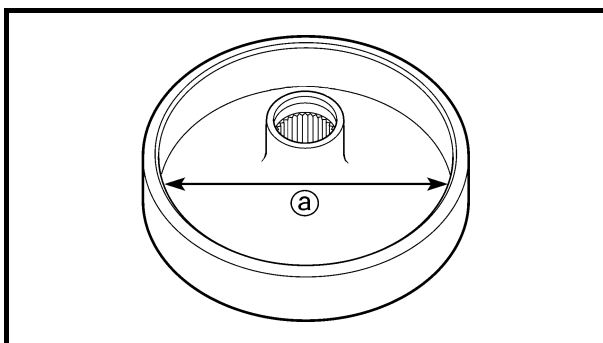
① Measuring points

NOTE:

Replace the brake shoes as a set if either is worn to the wear limit.



**Brake shoe lining thickness limit:
2.0 mm (0.08 in)**

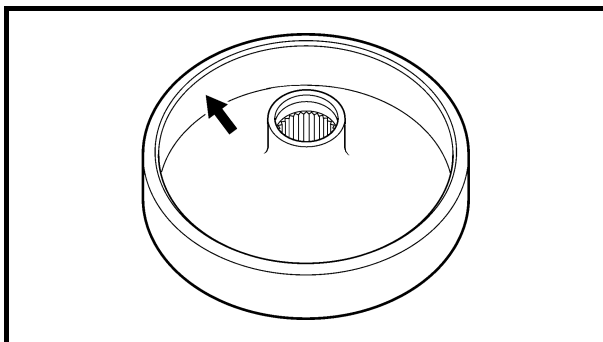


6.Measure:

- Brake drum inside diameter (a)
Out of specification → Replace.

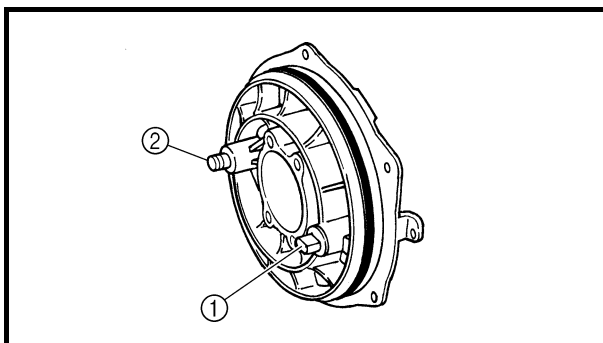


**Brake drum inside diameter limit
(maximum):
161 mm (6.34 in)**



7.Check:

- Brake drum inner surface
Oil deposits → Clean.
Remove the oil with a rag soaked in lacquer thinner or solvent.
Scratches → Repair.
Lightly and evenly polish the scratches with an emery cloth.



INSTALLING THE REAR BRAKE

1.Lubricate:

- Brake camshaft (1)
- Pivot pin (2)

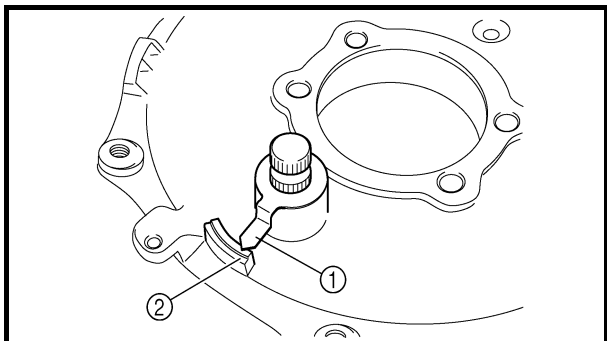


Lithium-soap base grease



CAUTION:

During installation, lightly grease the brake camshaft and the pivot pin. Wipe off the excess grease.

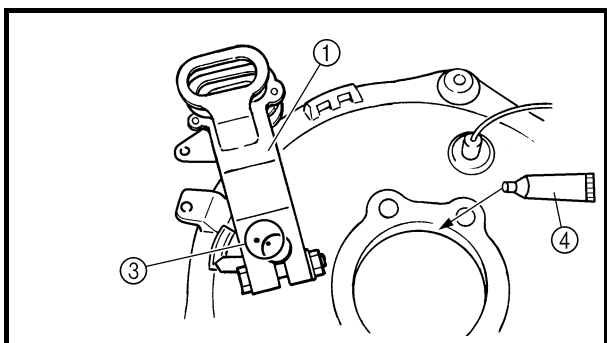


2. Install:

- Brake shoe wear indicator ①

NOTE:

When installing the wear indicator pointer, fit the projection into a brake camshaft groove and align the pointer with the right end of the wear indicator scale ②.



3. Install:

- Brake camshaft lever ①



Bolt (camshaft lever):
9 Nm (0.9 m • kg, 6.5 ft • lb)

NOTE:

When installing the brake camshaft lever, align the punch marks ③ on the brake camshaft lever and brake camshaft.

4. Apply:

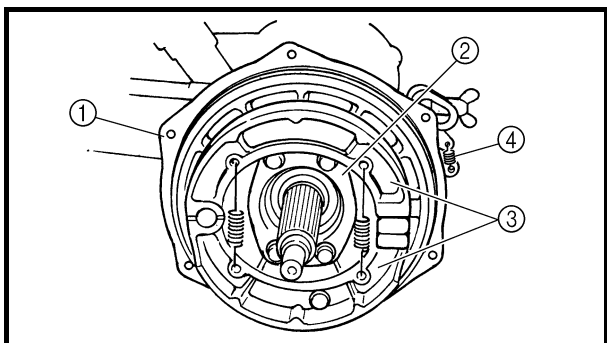
- Sealant ④
(onto the mating surfaces of swingarm)



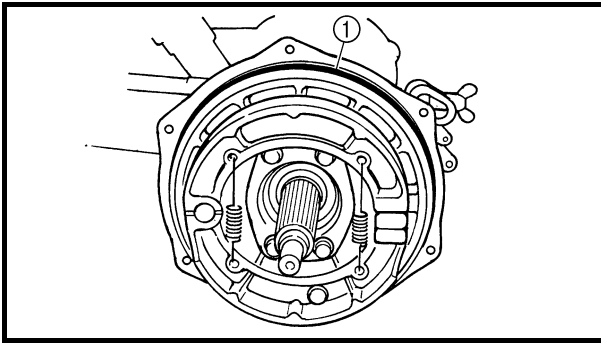
Sealant (Quick Gasket)®:
P/N. ACC-11001-05-01
Yamaha bond No. 1215:
P/N. 90890-85505

5. Install:

- Brake shoe plate ①
- Bearing retainer ②
- Brake shoes ③
- Spring ④



Bolt (brake shoe plate):
28 Nm (2.8 m • kg, 20 ft • lb)



6. Check:

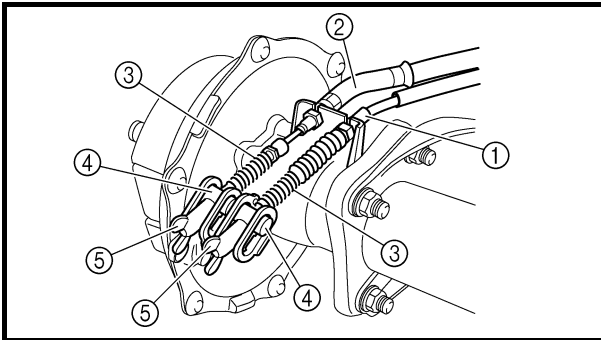
- Brake camshaft operation
Unsmooth operation → Repair.

7. Lubricate:

- Dust seal ①



Lithium-soap base grease



8. Connect:

- Rear brake lever cable ①
- Rear brake pedal cable ②

9. Install:

- Springs ③
- Pins ④
- Adjusting nuts ⑤
- Brake drum
- Brake drum cover

10. Install:

- Rear wheel hub (left)
- Rear wheel (left)

Refer to "FRONT AND REAR WHEELS".



Axle nut:

150 Nm (15 m • kg, 110 ft • lb)

Nut (rear wheel):

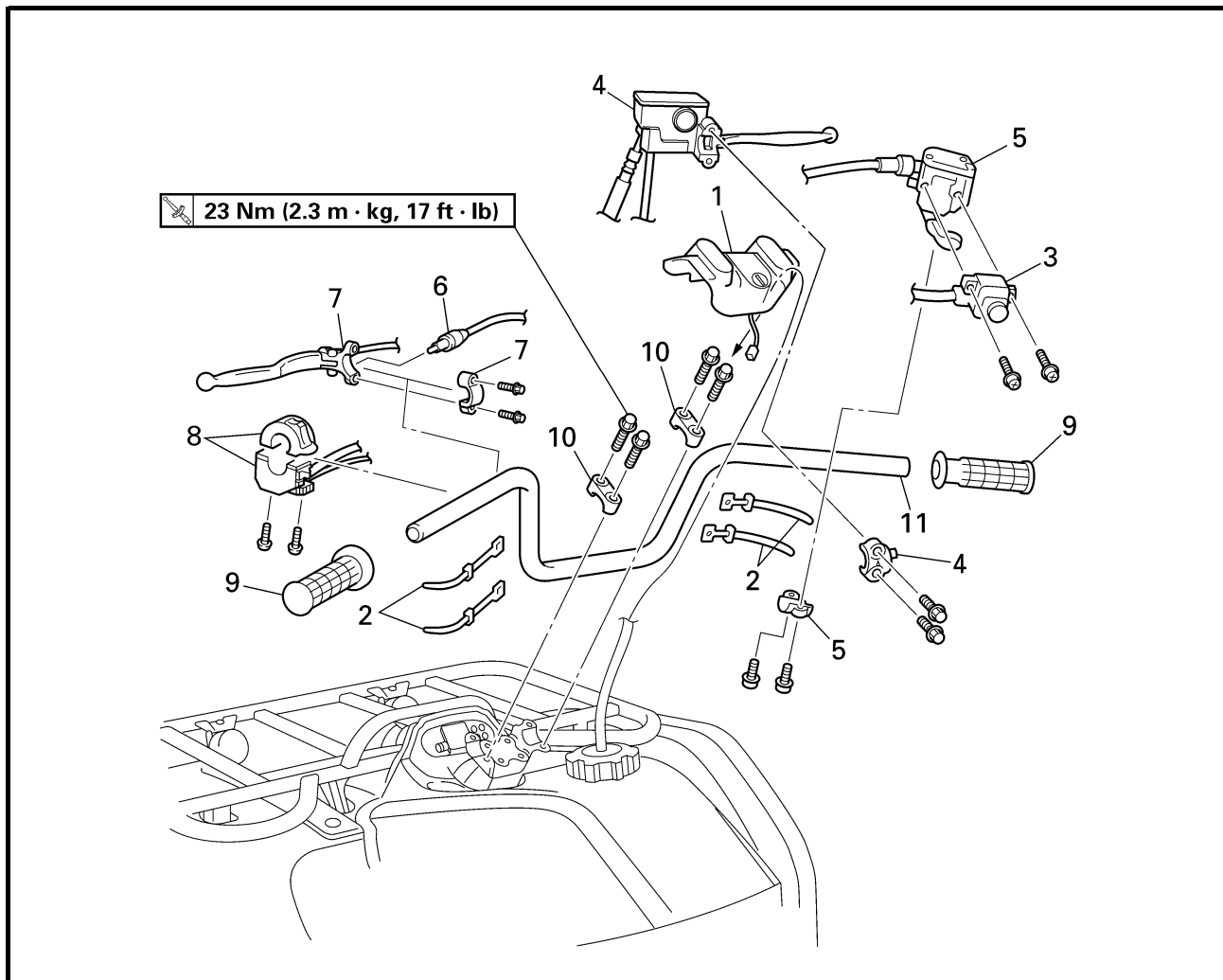
55 Nm (5.5 m • kg, 40 ft • lb)

11. Adjust:

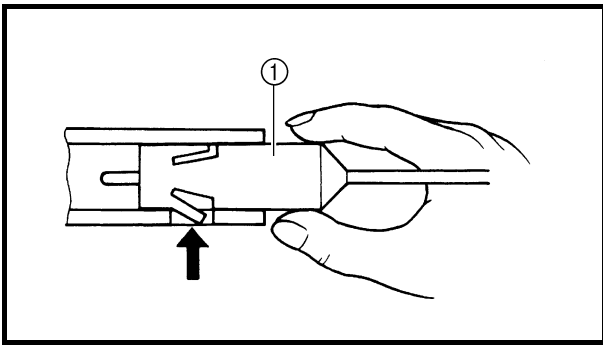
- Rear brake pedal free play
- Rear brake lever free play

Refer to "ADJUSTING THE REAR BRAKE" in CHAPTER 3.

STEERING SYSTEM
HANDLEBAR



Order	Job name/Part name	Q'ty	Remarks
	Removing the handlebar		Remove the parts in the order below.
1	Handlebar cover	1	Refer to "INSTALLING THE MASTER CYLINDER ASSEMBLY".
2	Band	4	
3	On-command four-wheel drive switch	1	
4	Master cylinder assembly/bracket	1/1	
5	Throttle lever assembly/bracket	1/1	
6	Rear brake switch	1	Refer to "REMOVING THE REAR BRAKE SWITCH".
7	Rear brake lever/bracket	1/1	Refer to "INSTALLING THE REAR BRAKE LEVER".
8	Handlebar switch	1	
9	Handlebar grip	2	Refer to "INSTALLING THE HANDLEBAR".
10	Handlebar holder	2	
11	Handlebar	1	
			For installation, reverse the removal procedure.



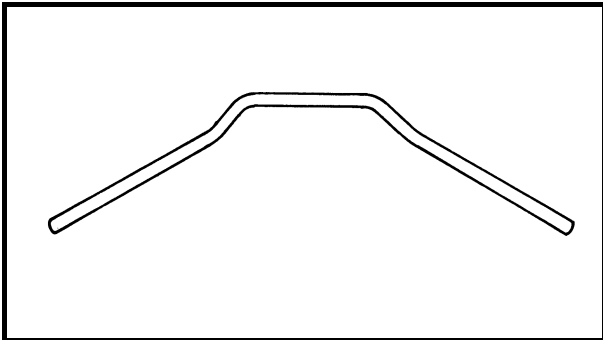
REMOVING THE REAR BRAKE SWITCH

1. Remove:

- Rear brake switch ①

NOTE:

Push the fastener when removing the rear brake switch out of the rear brake lever holder.



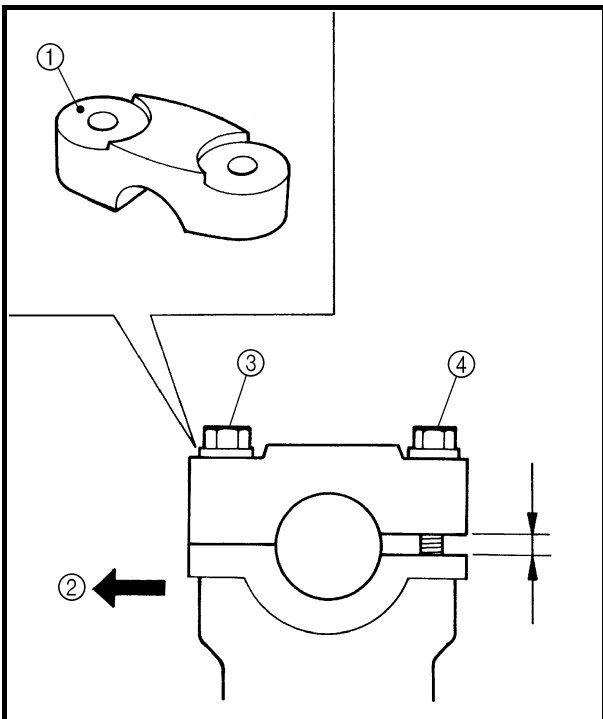
CHECKING THE HANDLEBAR

1. Check:

- Handlebar
- Bends/cracks/damage → Replace.

⚠ WARNING

Do not attempt to straighten a bent handlebar as this may dangerously weaken the handlebar.



INSTALLING THE HANDLEBAR

1. Install:

- Handlebar
- Handlebar holders

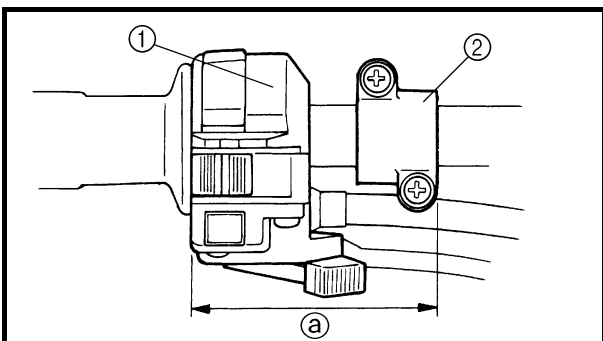
23 Nm (2.3 m • kg, 17 ft • lb)

NOTE:

The upper handlebar holder should be installed with the punched mark ① forward ②.

CAUTION:

First tighten the bolts ③ on the front side of the handlebar holder, and then tighten the bolts ④ on the rear side.



INSTALLING THE REAR BRAKE LEVER

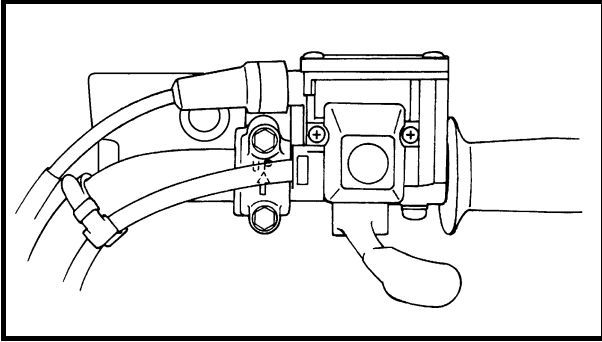
1. Install:

- Handlebar switch ①
- Rear brake lever
- Lever bracket ②

NOTE:


Install the lever bracket as shown.

- ② 80 mm (3.1 in)

**INSTALLING THE MASTER CYLINDER ASSEMBLY**

1. Install:

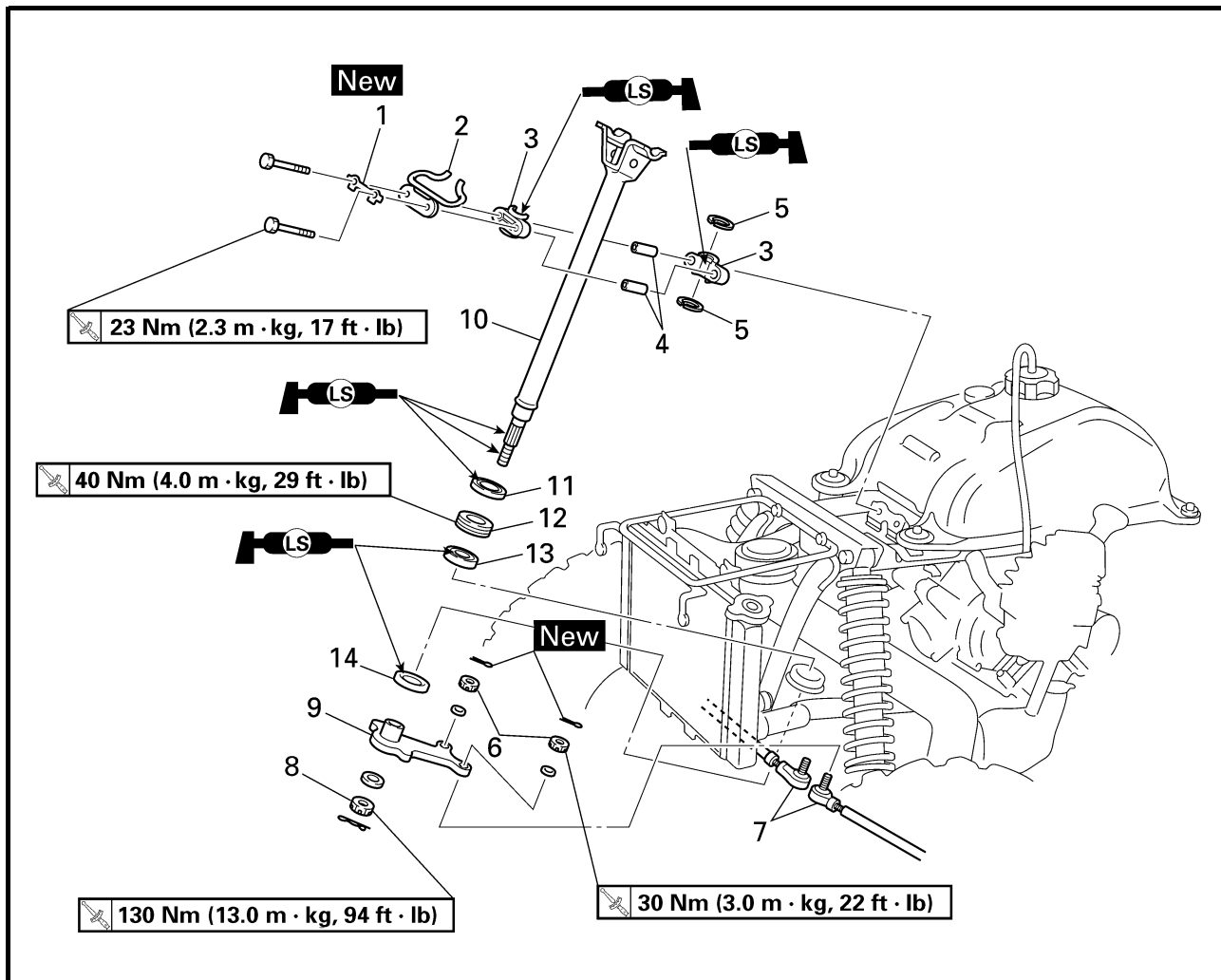
- Throttle lever assembly
- Master cylinder assembly

 7 Nm (0.7 m • kg, 5.1 ft • lb)

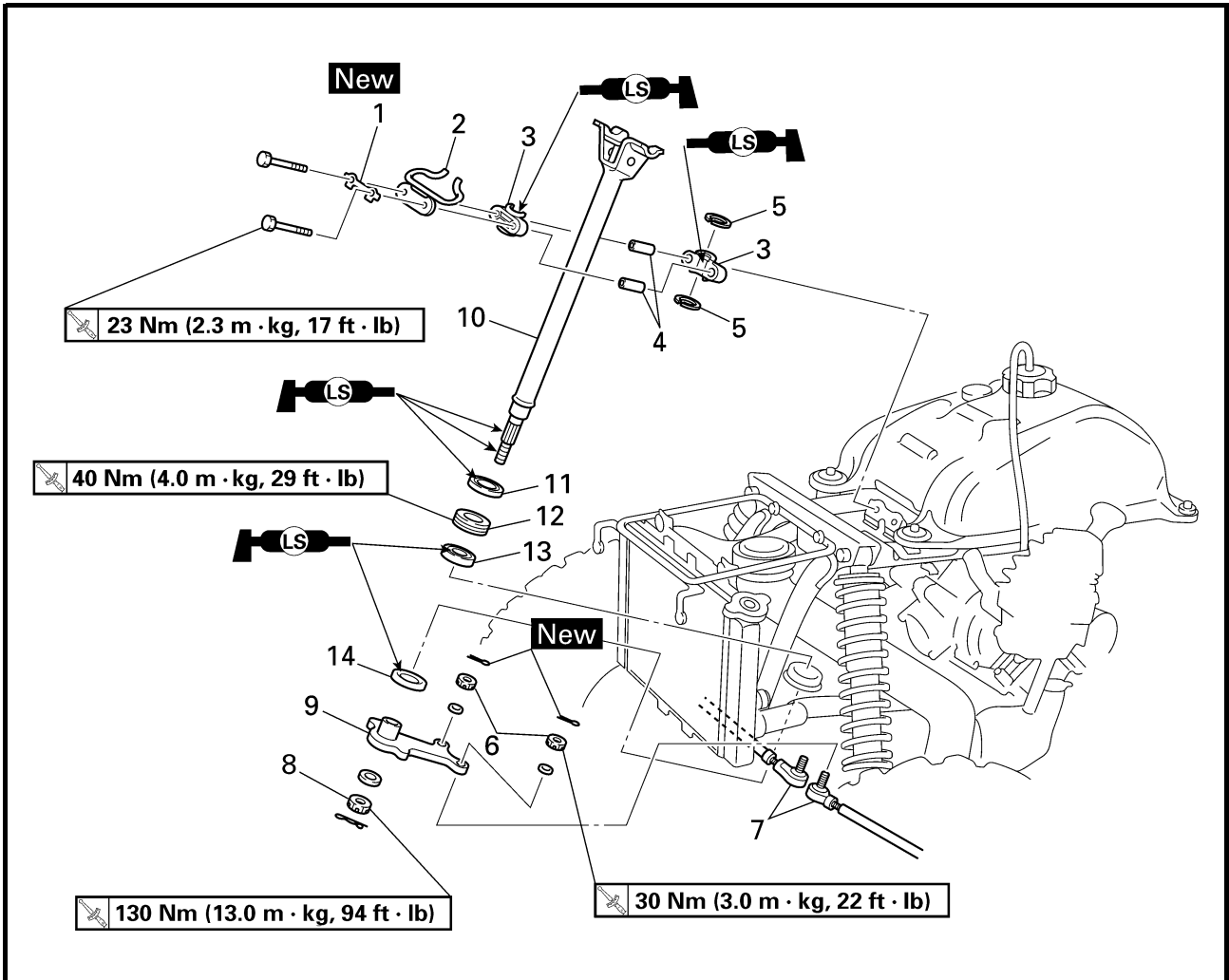
NOTE:

The “UP” mark on the master cylinder bracket should face up.

STEERING STEM



Order	Job name/Part name	Q'ty	Remarks
	Removing the steering stem		Remove the parts in the order below.
	Handlebar		Refer to "HANDLEBAR".
	Seat		Refer to "SEAT, CARRIERS, FENDERS AND FUEL TANK" in CHAPTER 3.
	Front fender		
	1 Lock washer	1	
	2 Cable guide	1	
	3 Steering stem bushing	2	
	4 Collar	2	
	5 Oil seal	2	
	6 Tie rod end nut	2	
	7 Tie rod	2	Disconnect.
	8 Steering stem nut	1	
	9 Pitman arm	1	
	10 Steering stem	1	



Order	Job name/Part name	Q'ty	Remarks
11	Oil seal	1	Refer to "REMOVING/INSTALLING THE BEARING RETAINER".
12	Bearing retainer	1	
13	Bearing	1	
14	Oil seal	1	
			For installation, reverse the removal procedure.



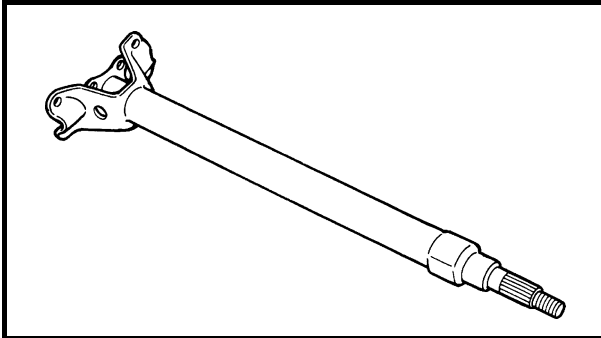
REMOVING THE BEARING RETAINER

1. Remove:

- Bearing retainer (steering stem)



Damper rod holder (30 mm):
P/N. YM-01327, 90890-01327



CHECKING THE STEERING STEM

1. Check:

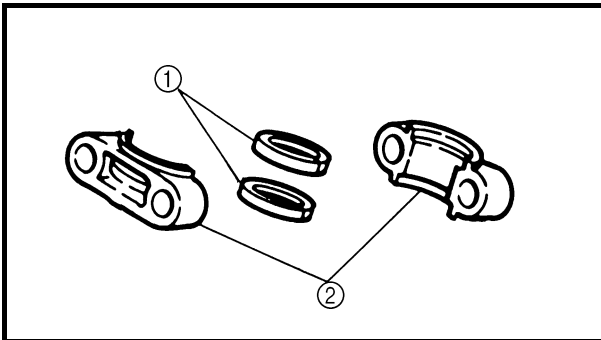
- Steering stem
Bends → Replace.

⚠ WARNING

Do not attempt to straighten a bent stem; this may dangerously weaken the stem.

2. Check:

- Oil seals ①
- Steering stem bushings ②
Wear/damage → Replace.



INSTALLING THE BEARING RETAINER

1. Install:

- Bearing retainer (steering stem)

40 Nm (4.0 m • kg, 29 ft • lb)



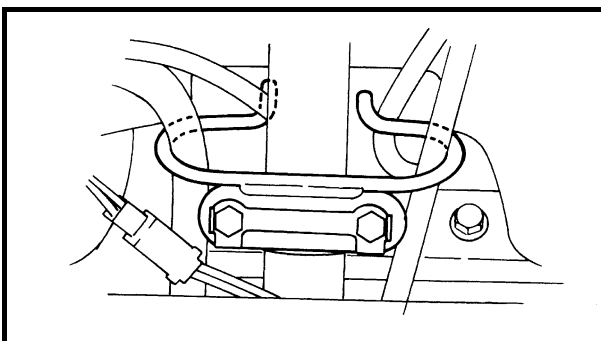
Damper rod holder:
P/N. YM-01327, 90890-01327

INSTALLING THE CABLE GUIDE

1. Install

- Cable guide
- Lock washer **New**
- Bolts **23 Nm (2.3 m • kg, 17 ft • lb)**

2. Bend the lock washer tabs along a flat side of the bolts.

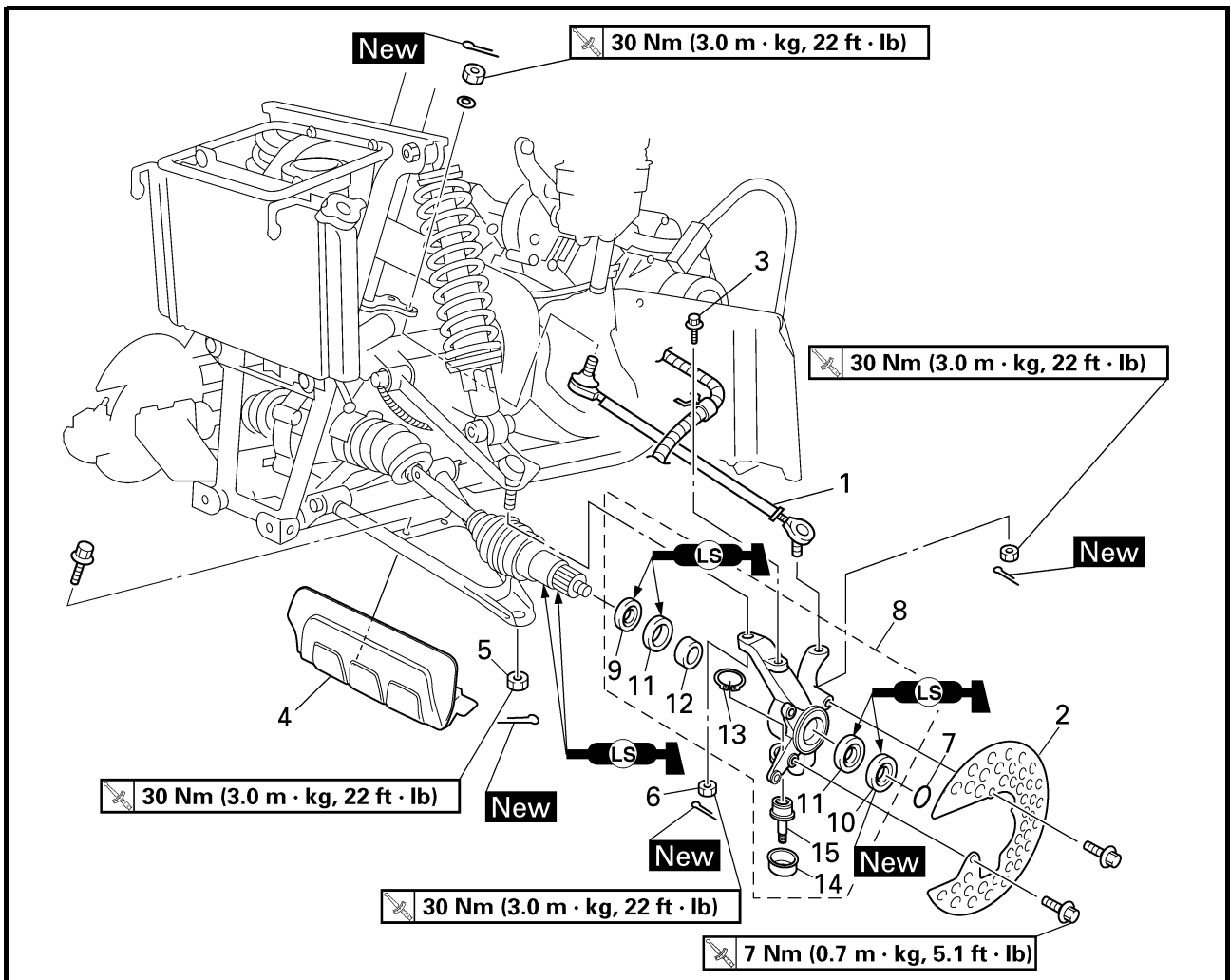


NOTE:

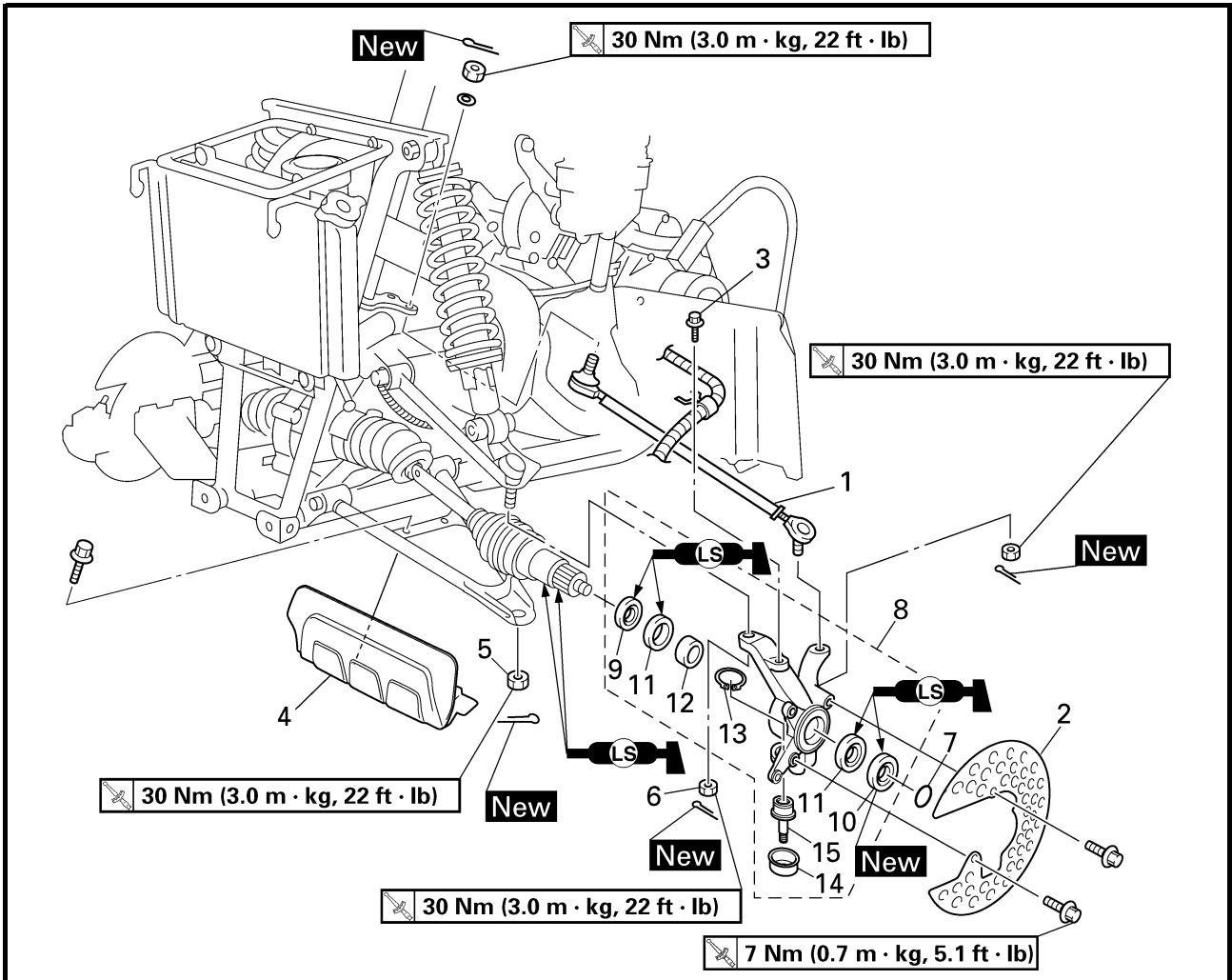
Pass the cables and hoses through the cable guide. Refer to "CABLE ROUTING" in CHAPTER 2.



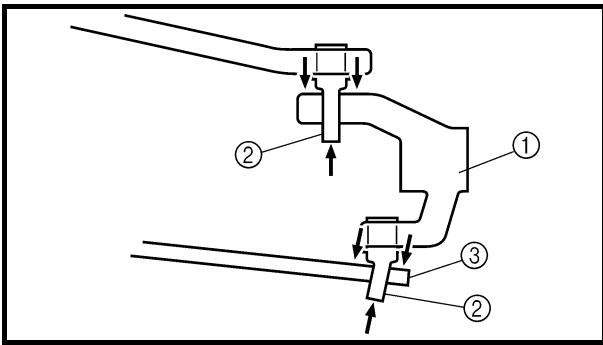
TIE RODS AND STEERING KNUCKLES



Order	Job name/Part name	Q'ty	Remarks
	Removing the tie rods and steering knuckles		Remove the parts in the order below.
	Front fender		Refer to "SEAT, CARRIERS, FENDERS AND FUEL TANK" in CHAPTER 3.
	Front wheel/brake disc		Refer to "FRONT AND REAR WHEELS".
1	Tie rod	1	Refer to "INSTALLING THE TIE RODS".
2	Brake disc guard	1	
3	Brake hose holder bolt	1	
4	Protector	1	
5	Nut	1	
6	Nut	1	
7	O-ring	1	
8	Steering knuckle	1	Refer to "REMOVING THE STEERING KNUCKLES".



Order	Job name/Part name	Q'ty	Remarks
9	Oil seal	1	For installation, reverse the removal procedure.
10	Oil seal	1	
11	Bearing	2	
12	Spacer	1	
13	Circlip	1	
14	Rubber boot	1	
15	Ball joint	1	



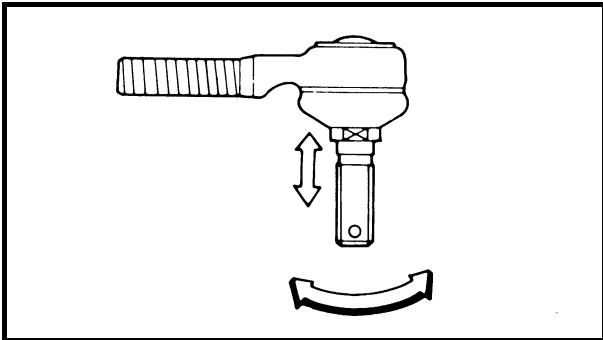
REMOVING THE STEERING KNUCKLES

1.Remove:

- Steering knuckle ①

NOTE:

Use a general puller to separate the ball joints ② from the steering knuckle ① or the front lower arm ③.



CHECKING THE TIE RODS

1.Check:

- Tie rod free play and movement
Free play → Replace the tie rod end.
Turns roughly → Replace the tie rod end.

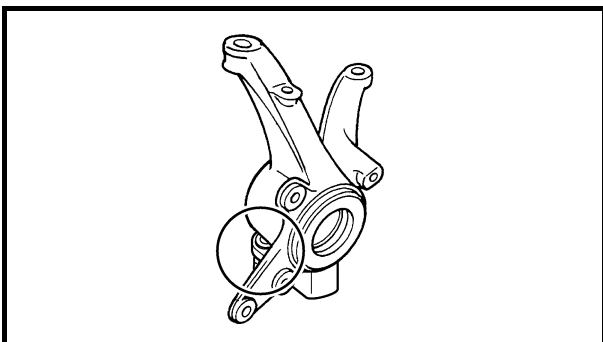
2.Check:

- Tie rods
- Bends/damage → Replace.

CHECKING THE STEERING KNUCKLES

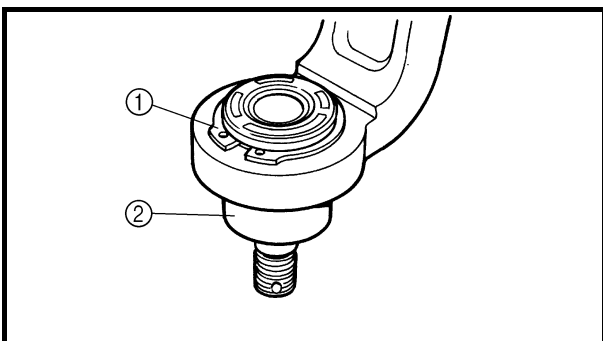
1.Check:

- Steering knuckles
Damage/pitting → Replace.



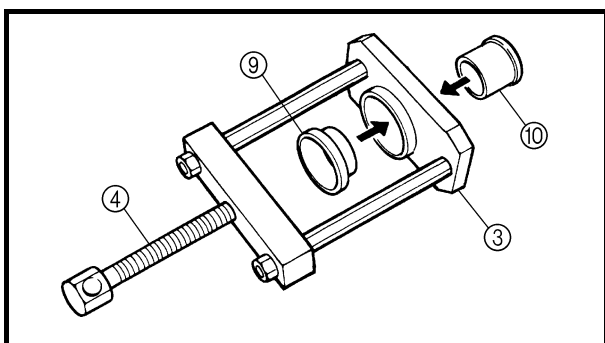
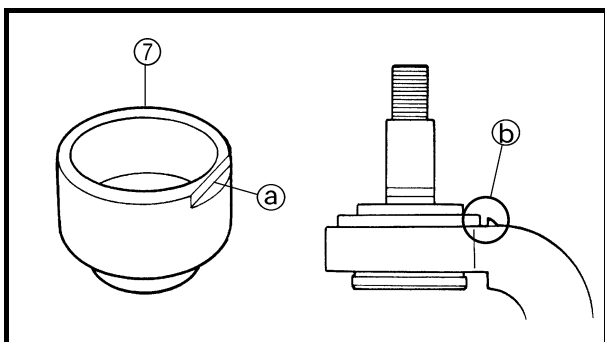
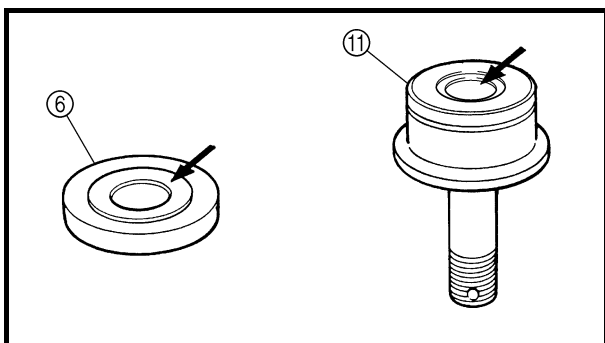
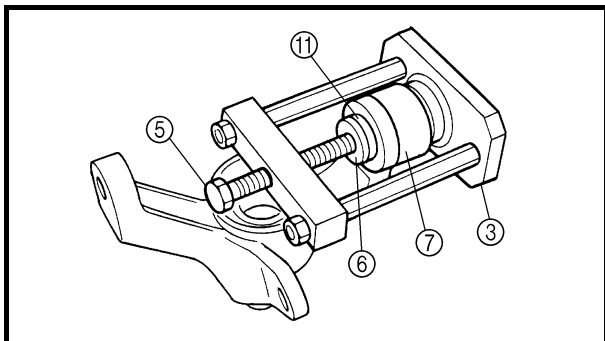
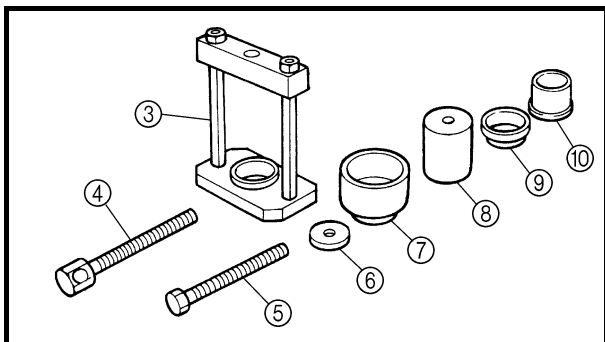
2.Check:

- Ball joints
Damage/pitting → Replace the ball joint.
Free play → Replace the ball joint.
Turns roughly → Replace the ball joint.



Replacement steps:

- Clean the outside of the steering knuckle.
- Remove the steering knuckle oil seal.
- Remove the circlip ① and rubber boot ②.
Use the ball joint remover and installer set.



Ball joint remover/installer set:
P/N. YM-01474/90890-01474
Ball joint remover/installer
attachment set:
P/N. YM-01477

③	Body	YM-01474 90890-01474
④	Long bolt	YM-01474 90890-01474
⑤	Short bolt	YM-01477
⑥	Remover washer	YM-01477
⑦	Remover spacer	YM-01477
⑧	Installer attachment	YM-01477
⑨	Installer spacer	YM-01477
⑩	Installer guide	YM-01477

- Install the body ③, short bolt ⑤, remover washer ⑥ and remover spacer ⑦ onto ball joint.

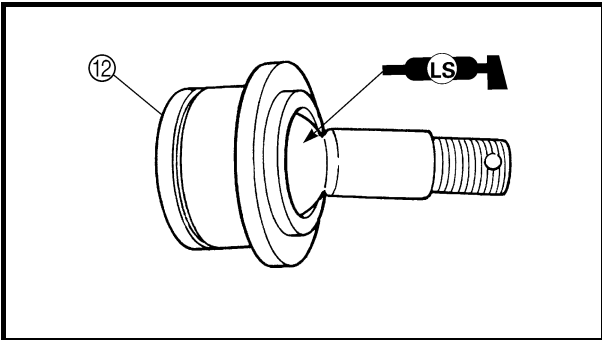
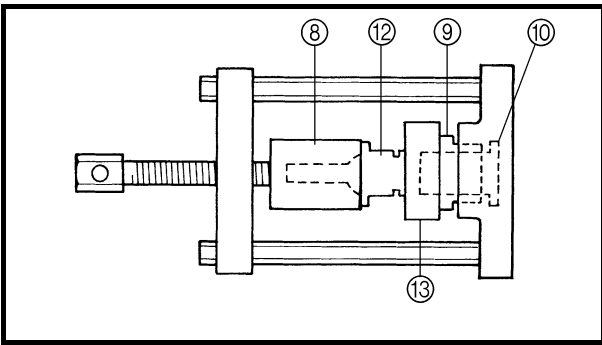
NOTE:

- Remover washer ⑥ must be aligned with the projection on the head of the ball joint.
- Surface ① of the remover spacer ⑦ must be aligned with surface ② of the steering knuckle.

- Hold the body ③ in place while turning in the short bolt ⑤ to remove the ball joint ⑪ from the steering knuckle.

- Remove the ball joint remover/installer.

- Install the long bolt ④, installer spacer ⑨ and installer guide ⑩ onto the body ③.



- Attach the assembled ball joint remover/installer, new ball joint ⑫ and installer attachment ⑧ to the steering knuckle ⑬.

NOTE: _____
Do not tap or damage the top of the ball joint.

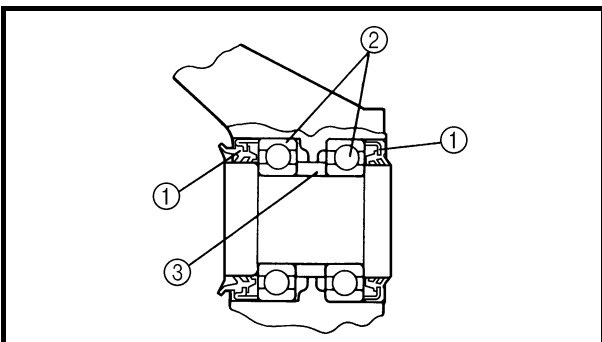
- Hold the body ③ in place while turning in the long bolt ④ to install the new ball joint ⑫ into the steering knuckle ⑬.
- Remove the ball joint remover/installer.
- Apply lithium-soap base grease to the new ball joint ⑫.
- Install a new rubber boot and new circlip.

NOTE: _____
Always use a new ball joint set.

- Install a steering knuckle oil seal.
- *****

3. Check:

- Front wheel bearings
Bearings allow play in the wheel hubs or the wheel turns roughly → Replace.
- Oil seals
Damage → Replace.



Replacement steps:

- Clean the outside of the steering knuckle.
- Remove the oil seals ①.
- Drive out the bearings ②.

⚠ WARNING _____

Eye protection is recommended when using striking tools.

- Remove the spacer ③.
- Apply lithium base grease to the bearings and oil seals.
- Install the spacer to the steering knuckle.

- Install the new bearings.

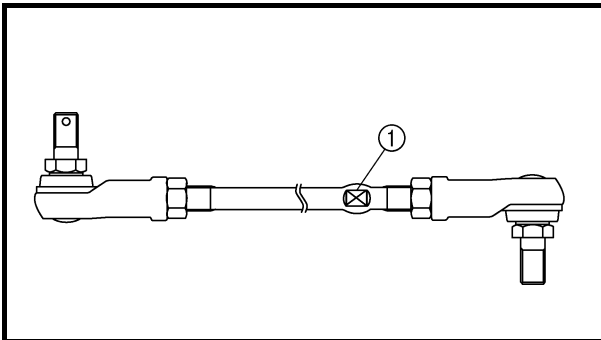
NOTE: _____
Install the outside bearing first.

CAUTION: _____

Do not strike the center race or balls of the bearing. Contact should be made only with the outer race.

- Install the new oil seals.


NOTE: _____
When installing the oil seals, the “seal side” of the oil seal faces out.



INSTALLING THE TIE RODS

1. Install:

- Tie rods (left and right)

 **30 Nm (3.0 m • kg, 22 ft • lb)**

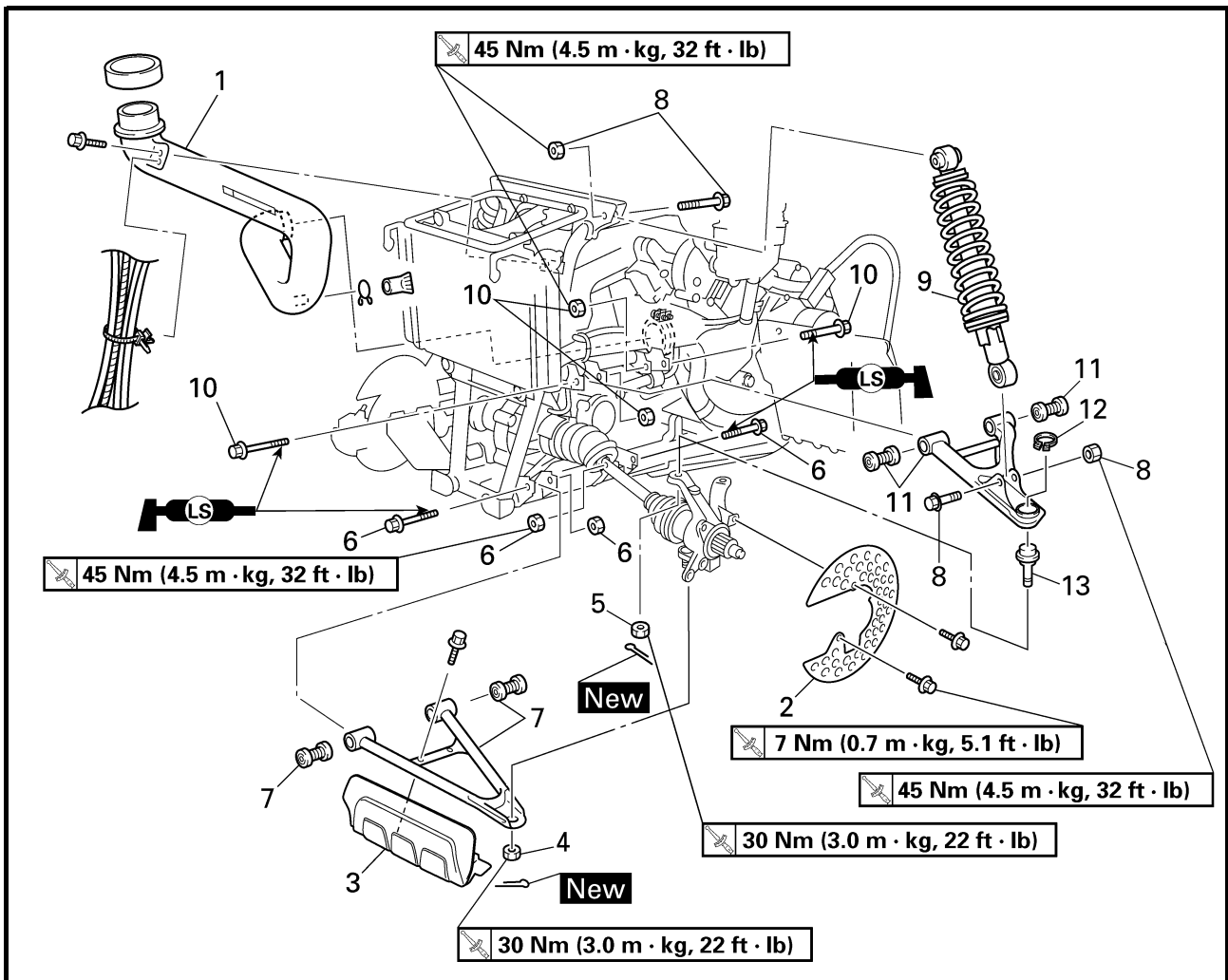
NOTE: _____
The tie rod which must be installed on the out side has grooves ①.

2. Adjust:

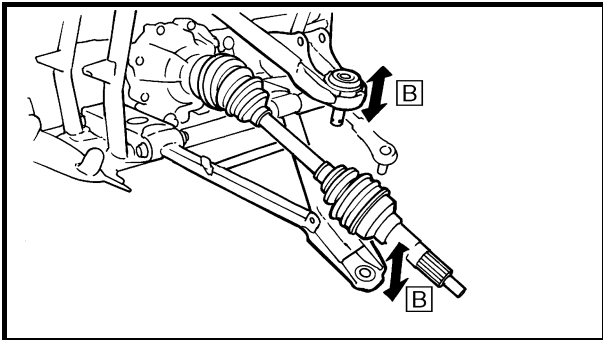
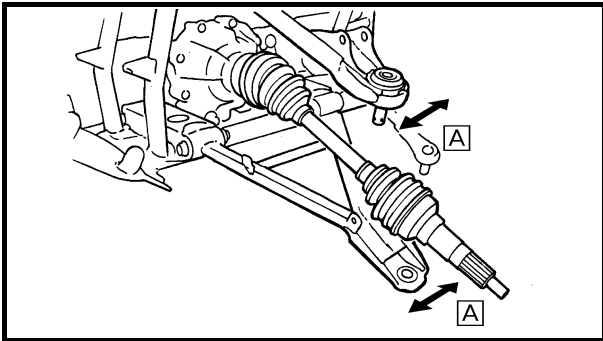
- Toe-in
Refer to “ADJUSTING THE TOE-IN” in CHAPTER 3.

FRONT ARMS AND FRONT SHOCK ABSORBERS

CHAS



Order	Job name/Part name	Q'ty	Remarks
4	Nut	1	Refer to "REMOVING THE FRONT ARMS" and "INSTALLING THE FRONT ARMS AND FRONT SHOCK ABSORBER". For installation, reverse the removal procedure.
5	Nut	1	
6	Bolt/nut	2/2	
7	Front lower arm/bushing	1/2	
8	Nut/bolt	2/2	
9	Front shock absorber	1	
10	Bolt/nut	2/2	
11	Front upper arm/bushing	1/2	
12	Circlip	1	
13	Ball joint	1	



REMOVING THE FRONT ARMS

1. Check:
 - Front arm free play

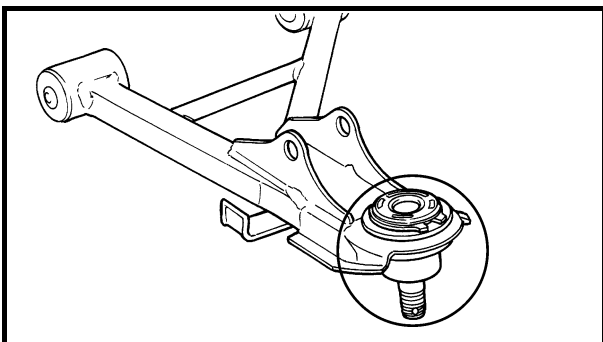
Checking steps:

- Check the front arm side play **A** by moving it from side to side.
If side play is noticeable, check the bushings.
- Check the front arm vertical movement **B** by moving it up and down.
If the vertical movement is tight or rough, or if there is binding, check the bushings.

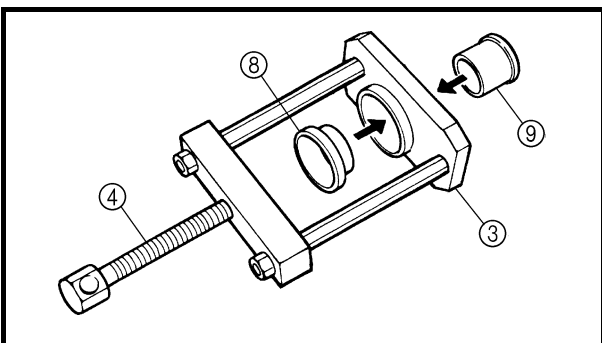
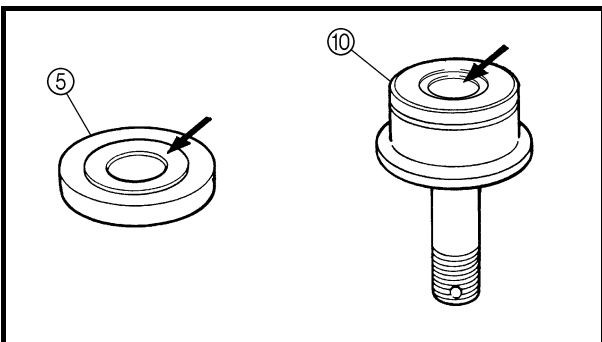
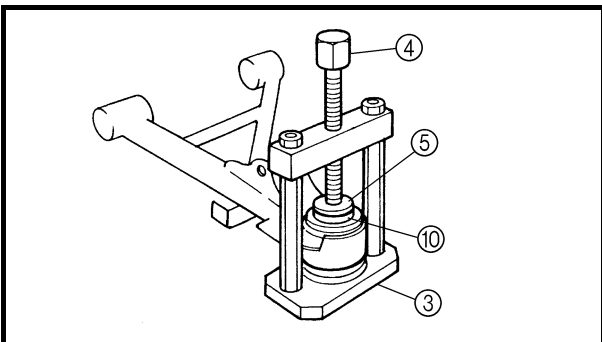
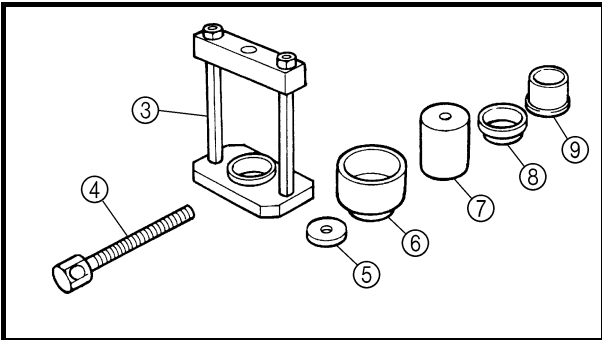
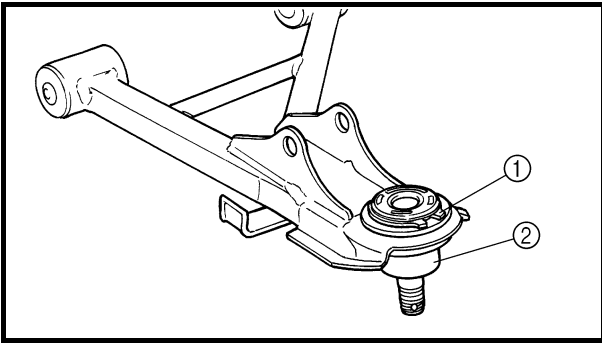
2. Remove:
 - Front arms

CHECKING THE FRONT ARMS

1. Check:
 - Front arms
Bends/damage → Replace.
2. Check:
 - Bushings
Wear/damage → Replace.



3. Check:
 - Ball joint
Damage/pitting → Replace the ball joint.
Free play → Replace the ball joint.
Turns roughly → Replace the ball joint.



Replacement steps:

- Clean the outside of the front lower arm.
- Remove the circlip ① and rubber boot ②.
Use the ball joint remover and installer set.



Ball joint remover/installer set:
P/N. YM-01474/90890-01474
Ball joint remover/installer attachment set:
P/N. YM-01477

③	Body	YM-01474 90890-01474
④	Long bolt	YM-01474 90890-01474
⑤	Remover washer	YM-01477
⑥	Remover spacer	YM-01477
⑦	Installer attachment	YM-01477
⑧	Installer spacer	YM-01477
⑨	Installer guide	YM-01477

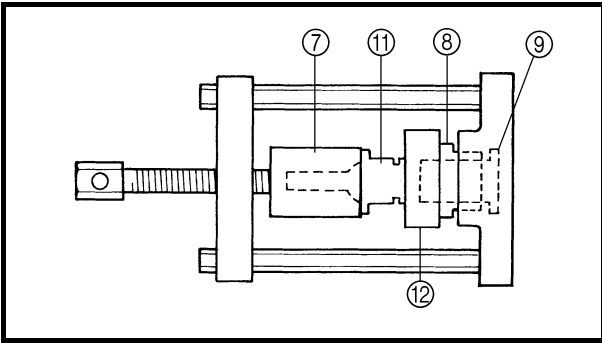
- Install the body ③, long bolt ④, remover washer ⑤ and remover spacer ⑥ onto ball joint.

NOTE:

Remover washer ⑤ must be aligned with the projection on the head of the ball joint.

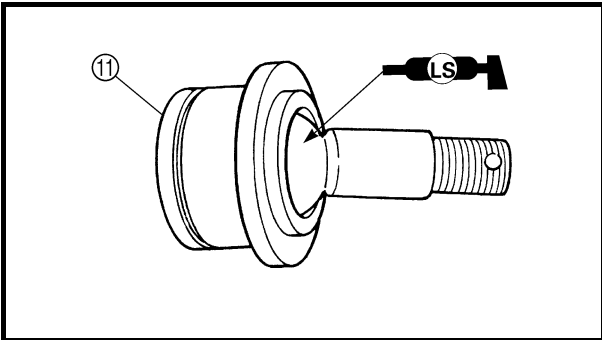
- Hold the body ③ in place while turning in the long bolt ④ to remove the ball joint ⑩ from the front lower arm.
- Remove the ball joint remover/installer.

- Install the long bolt ④, installer spacer ⑧ and installer guide ⑨ onto the body ③.



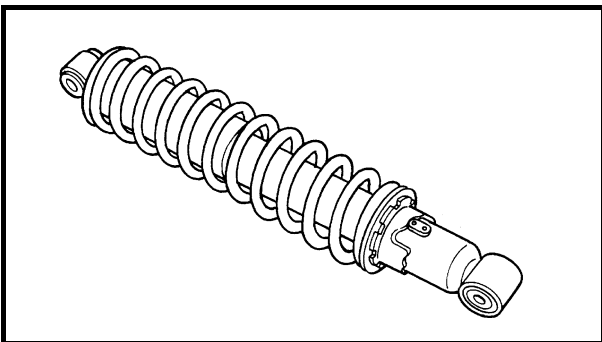
- Attach the assembled ball joint remover/installer, new ball joint ⑪ and installer attachment ⑦ to the front lower arm ⑫.

NOTE: _____
Do not tap or damage the top of the ball joint.



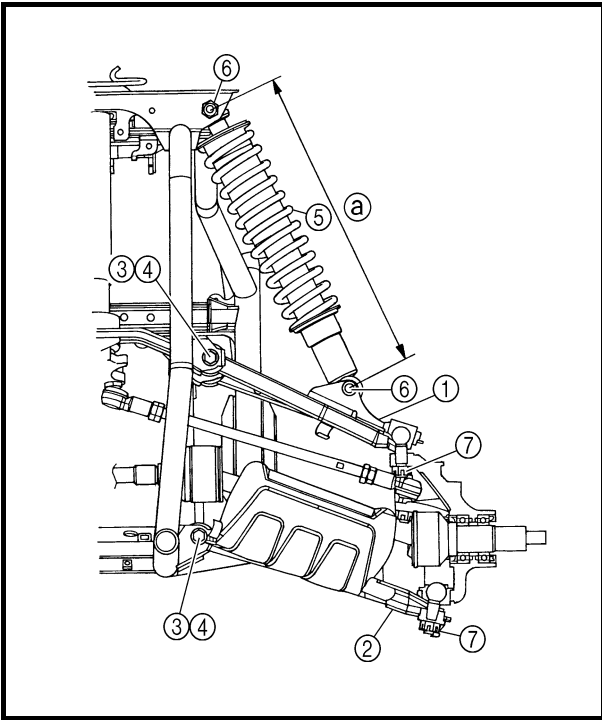
- Hold the body ③ in place while turning in the long bolt ④ to install the new ball joint ⑪ into the front lower arm ⑫.
- Remove the ball joint remover/installer.
- Apply lithium-soap base grease to the new ball joint ⑪.
- Install a new rubber boot and new circlip.

NOTE: _____
Always use a new ball joint set.



CHECKING THE FRONT SHOCK ABSORBER

1. Check:
- Shock absorber rod
Bends/damage → Replace the shock absorber assembly.
 - Shock absorber assembly
Oil leaks → Replace the shock absorber assembly.
 - Spring
Fatigue → Replace the shock absorber assembly.
Move the spring up and down.



INSTALLING THE FRONT ARMS AND FRONT SHOCK ABSORBER

1. Install:

- Front arms
- Front shock absorber

Installation steps:

- Install the front upper arm ① and front lower arm ②.

NOTE:

- Lubricate the bolts ③ with lithium-soap-based grease.
- Be sure to position the bolts ③ so that the bolt head faces outward.
- Temporarily tighten the nuts ④.

- Install the front shock absorber ⑤.



Nut ⑥:
45 Nm (4.5 m • kg, 32 ft • lb)

- Install the ball joints.



Nut ⑦:
30 Nm (3.0 m • kg, 22 ft • lb)

- Install the new cotter pins.
- Tighten the nuts ④.

NOTE:

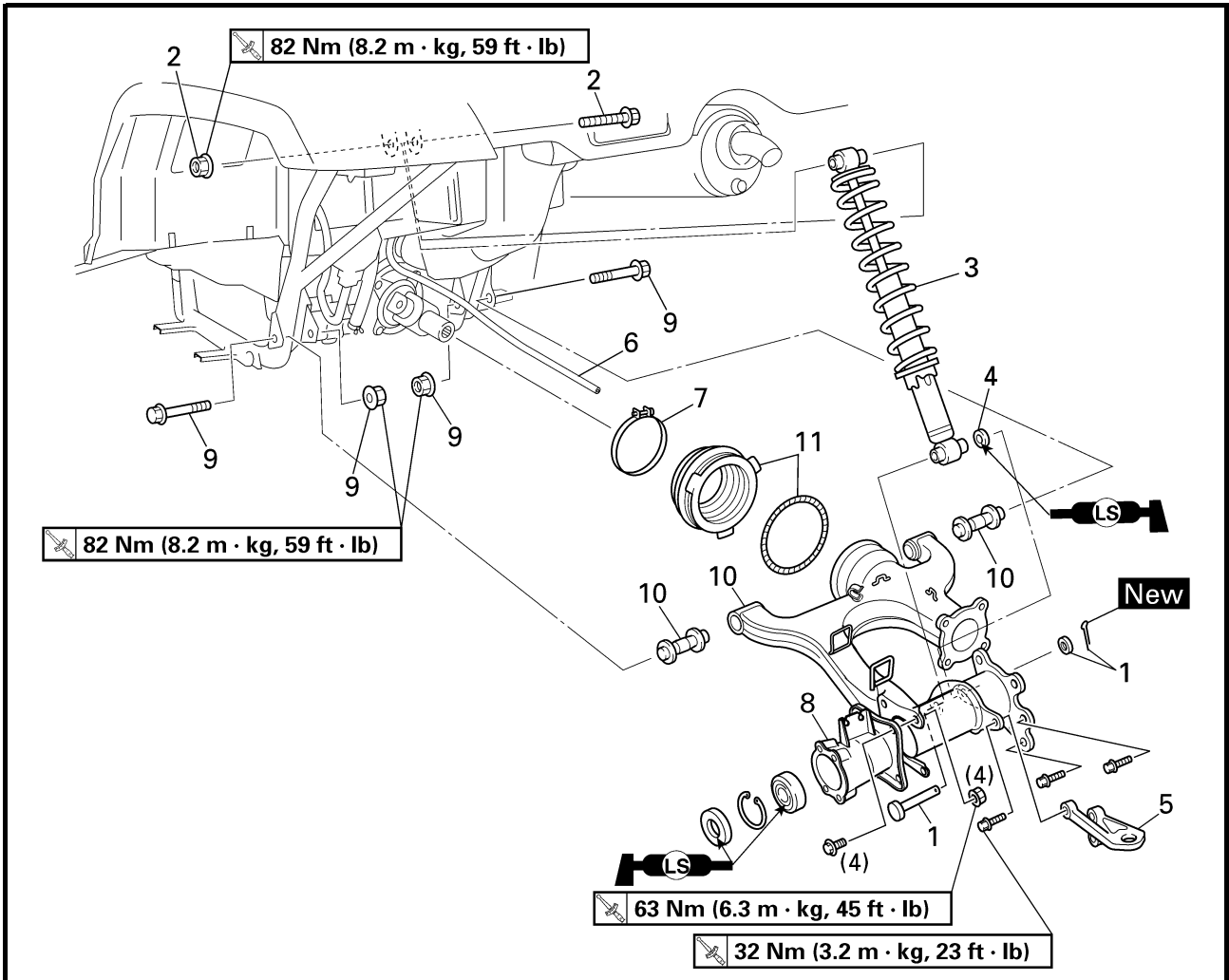
Before tightening the nuts ④, adjust the length ① to 310 mm (12.2 in).



Nut ④:
45 Nm (4.5 m • kg, 32 ft • lb)



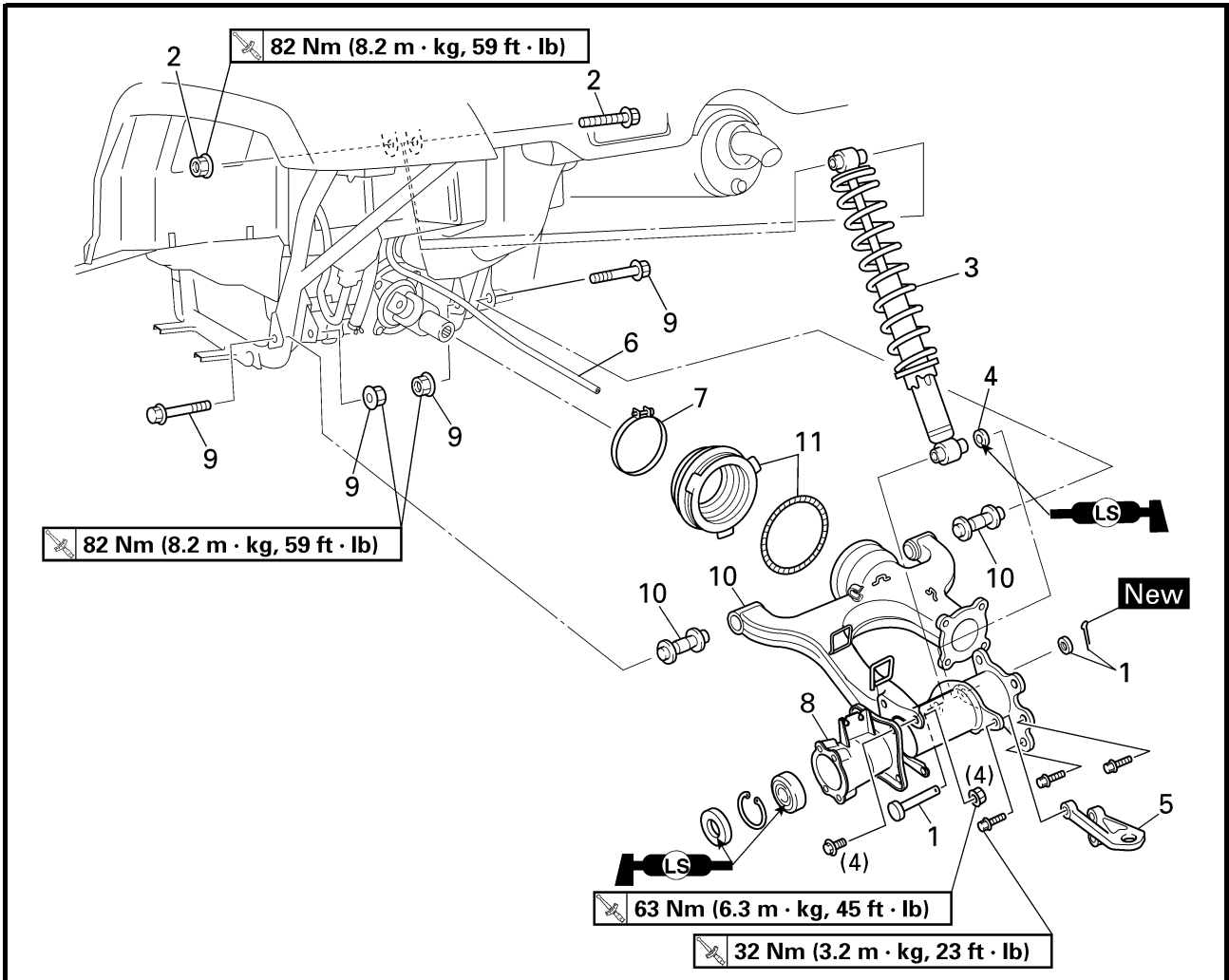
REAR SHOCK ABSORBER AND SWINGARM



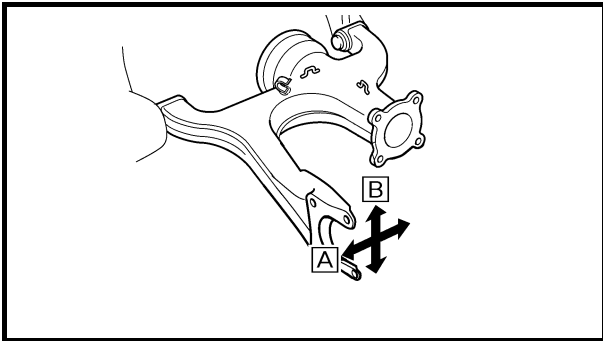
Order	Job name/Part name	Q'ty	Remarks
	Removing the rear shock absorber and swingarm		Remove the parts in the order below.
	Rear wheel hubs		Refer to "FRONT AND REAR WHEELS".
	Rear brake drum		Refer to "REAR BRAKE".
	Rear brake lever cable/rear brake pedal cable		Refer to "REAR BRAKE".
	Final drive gear assembly		Refer to "REAR AXLE/FINAL DRIVE GEAR AND DRIVE SHAFT" in CHAPTER 7.
1	Clip/washer/pin	1/1/1	
2	Nut/bolt	1/1	
3	Rear shock absorber	1	
4	Collar	1	
5	Trailer hitch bracket	1	
6	Final drive gear case breather hose	1	
7	Metal clamp	1	

REAR SHOCK ABSORBER AND SWINGARM

CHAS



Order	Job name/Part name	Q'ty	Remarks
8	Rear axle housing	1	Refer to "INSTALLING THE REAR AXLE HOUSING".
9	Nut/bolt	2/2	Refer to "REMOVING THE SWINGARM".
10	Swingarm/bushing	1/2	
11	Spring/rubber boot	1/1	
			For installation, reverse the removal procedure.



REMOVING THE SWINGARM

1. Check:

- Swingarm free play

Checking steps:

- Check the tightening torque of the nuts (swingarm).

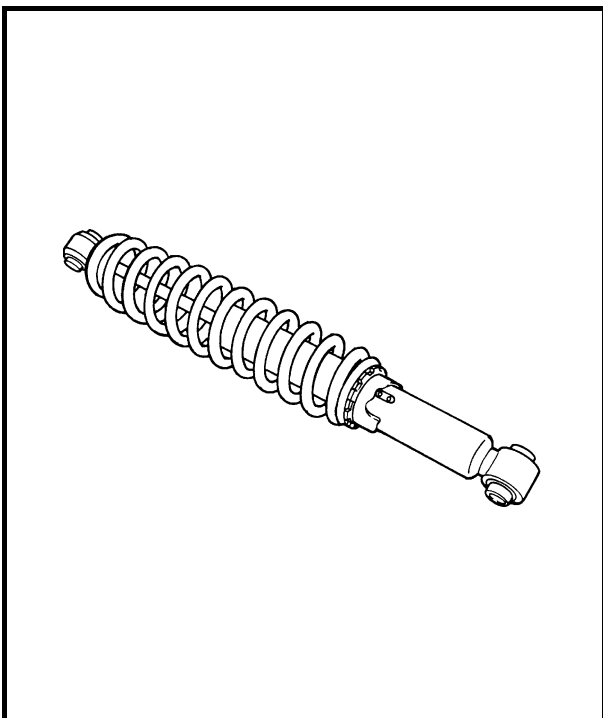


Nut (swingarm):
82 Nm (8.2 m • kg, 59 ft • lb)

- Check the swingarm side play **A** by moving it from side to side.
If side play is noticeable, check the bushings and frame pivot.
- Check the swingarm vertical movement **B** by moving it up and down.
If vertical movement is tight or rough, or if there is binding, check the bushings and frame pivot.

2. Remove:

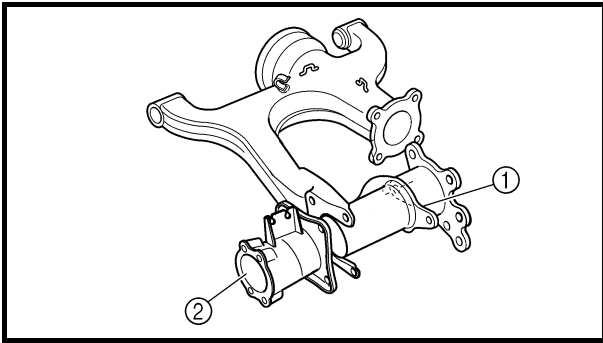
- Nuts
- Bolts
- Swingarm



CHECKING THE REAR SHOCK ABSORBER

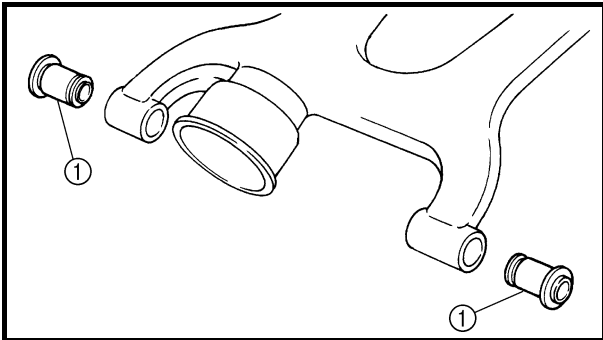
1. Check:

- Shock absorber
Oil leaks → Replace the shock absorber assembly.
- Shock absorber rod
Bends/damage → Replace the shock absorber assembly.
- Spring
Fatigue → Replace the shock absorber assembly.
Move the spring up and down.

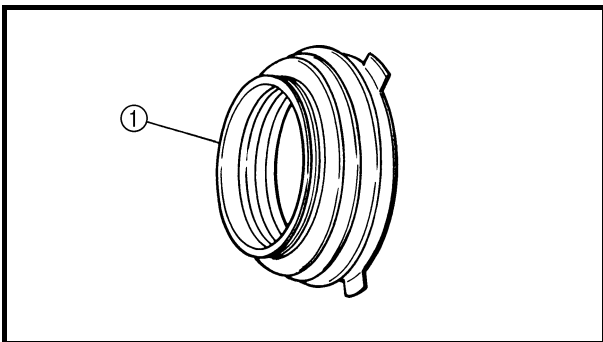


CHECKING THE SWINGARM

1. Check:
- Swingarm ①
 - Rear axle housing ②
- Bends/cracks/damage → Replace.

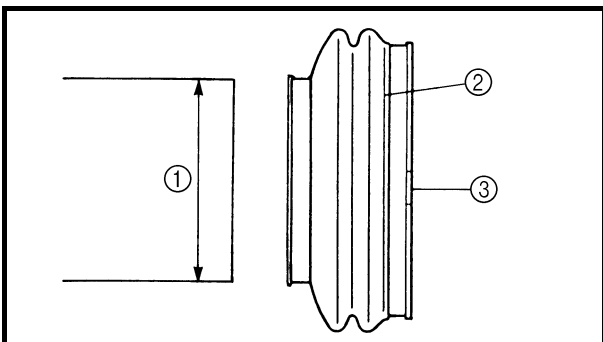


2. Check:
- Bushings ①
- Wear/damage → Replace.



CHECKING THE RUBBER BOOT

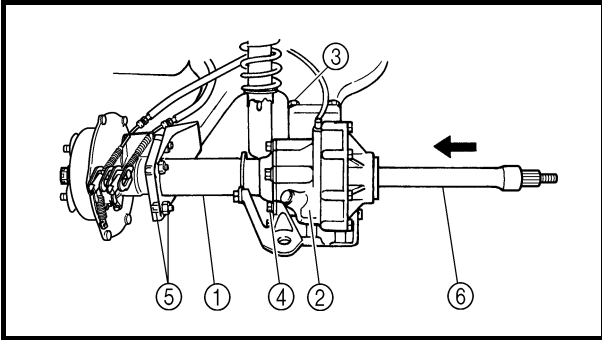
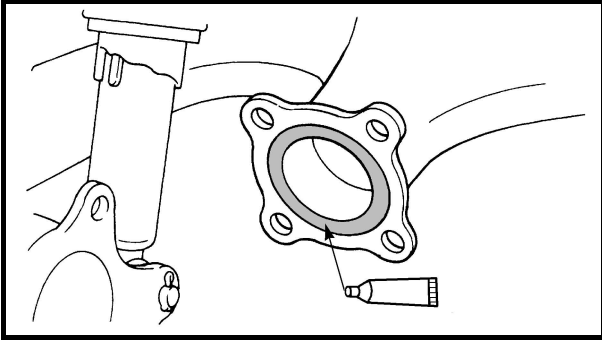
1. Check:
- Rubber boot ①
- Damage → Replace.



INSTALLING THE RUBBER BOOT

1. Apply:
- Adhesive (for rubber)
- (to the engine ①)
2. Install:
- Rubber boot ②

NOTE: Be sure to position the rubber boot so that the tang ③ faces towards the left.



INSTALLING THE REAR AXLE HOUSING

1. Install:

- Rear axle housing
- Final gear case assembly
- Rear axle (with dust seal)

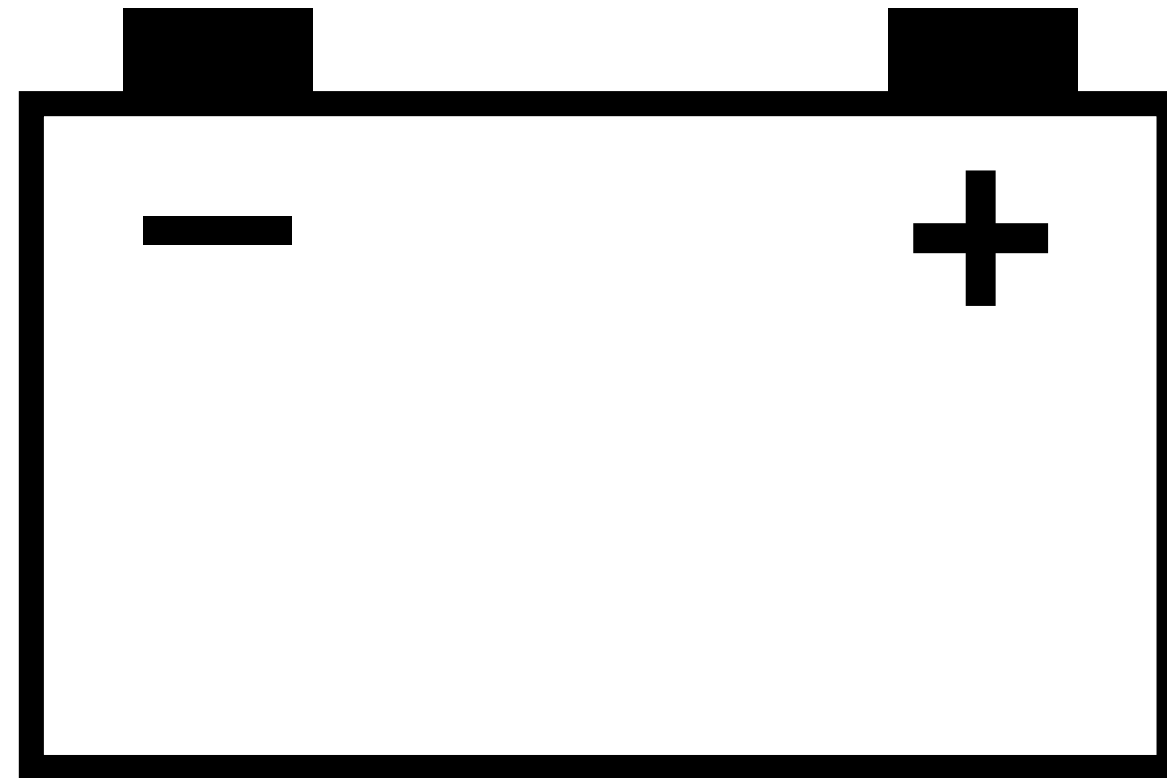
Installation steps:

- Install the drive shaft.
Refer to "REAR AXLE/FINAL DRIVE GEAR AND DRIVE SHAFT" in CHAPTER 7.
- Apply sealant (Quick Gasket®) to the mating surfaces of the swingarm and the final gear case.
- Temporarily install the rear axle housing ① and final gear case assembly ② on the swingarm. The bolts and nuts ③ ~ ⑤ should be temporarily tightened.
- Install the rear axle (with dust seal) ⑥ from the left side of the machine.
Refer to "REAR AXLE/FINAL DRIVE GEAR AND DRIVE SHAFT" in CHAPTER 7.
- Tighten the bolts and nuts ③ ~ ⑤ in the specified order.

- ③ Nut (x4)
- ④ Bolt (x4)
- ⑤ Bolt/nut (x4)



- Nut ③:**
63 Nm (6.3 m • kg, 45 ft • lb)
LOCTITE®
- Bolt ④:**
63 Nm (6.3 m • kg, 45 ft • lb)
LOCTITE®
- Nut ⑤:**
63 Nm (6.3 m • kg, 45 ft • lb)

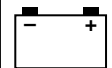


ELEC

9

CHAPTER 9. ELECTRICAL

ELECTRICAL COMPONENTS	9-1
CHECKING THE SWITCHES	9-2
CHECKING A SWITCH	9-2
CHECKING A SWITCH SHOWN IN THE MANUAL	9-2
CHECKING THE SWITCHES CONTINUITY	9-3
CHECKING THE BULBS AND BULB SOCKETS	9-5
TYPES OF BULBS	9-5
CHECKING THE CONDITION OF THE BULBS	9-5
CHECKING THE CONDITION OF THE BULB SOCKETS	9-7
IGNITION SYSTEM	9-8
CIRCUIT DIAGRAM	9-8
TROUBLESHOOTING	9-9
ELECTRIC STARTING SYSTEM	9-14
CIRCUIT DIAGRAM	9-14
TROUBLESHOOTING	9-15
STARTER MOTOR	9-18
CHECKING THE STARTER MOTOR	9-19
ASSEMBLING THE STARTER MOTOR	9-20
CHARGING SYSTEM	9-21
CIRCUIT DIAGRAM	9-21
TROUBLESHOOTING	9-22
LIGHTING SYSTEM	9-24
CIRCUIT DIAGRAM	9-24
TROUBLESHOOTING	9-25
CHECKING THE LIGHTING SYSTEM	9-27
SIGNAL SYSTEM	9-31
CIRCUIT DIAGRAM	9-31
TROUBLESHOOTING	9-33
CHECKING THE SIGNAL SYSTEM	9-35
COOLING SYSTEM	9-43
CIRCUIT DIAGRAM	9-43
TROUBLESHOOTING	9-44
2WD/4WD SELECTING SYSTEM	9-48
CIRCUIT DIAGRAM	9-48
TROUBLESHOOTING	9-49

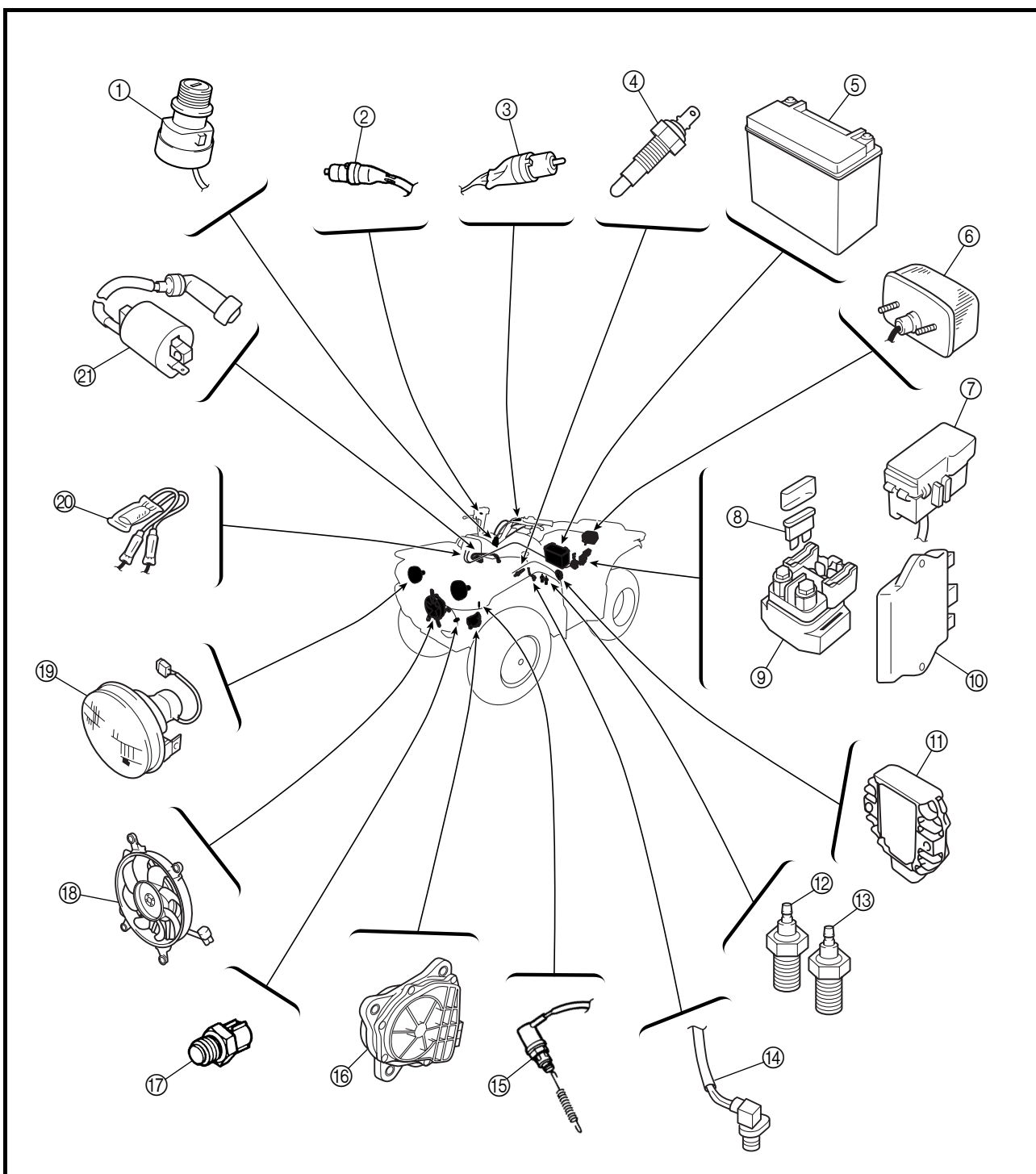


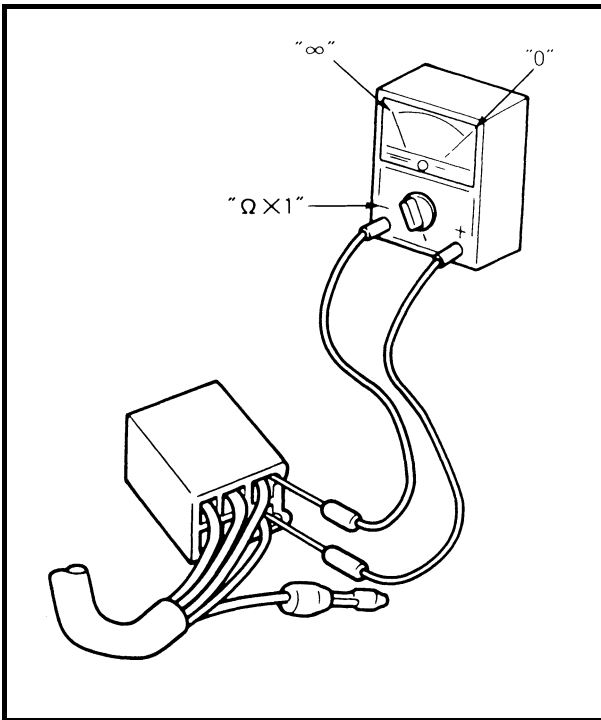
EB800000

ELECTRICAL

ELECTRICAL COMPONENTS

- | | | | |
|---------------------------------|-----------------------|----------------------------|-----------------|
| ① Main switch | ⑦ Fuse box | ⑮ Rear brake light switch | ⑳ Ignition coil |
| ② Front brake light switch | ⑧ Main fuse | ⑯ Gear motor | |
| ③ Rear brake switch | ⑨ Starter relay | ⑰ Thermo switch (radiator) | |
| ④ Thermo switch (cylinder head) | ⑩ CDI unit | ⑱ Fan | |
| ⑤ Battery | ⑪ Rectifier/regulator | ⑲ Headlight | |
| ⑥ Tail/brake light | ⑫ Reverse switch | ⑳ Circuit breaker (fan) | |
| | ⑬ Neutral switch | | |
| | ⑭ Speed sensor | | |





CHECKING THE SWITCHES

CHECKING A SWITCH

Use a pocket tester to check the terminals for continuity. If the continuity is faulty at any point, replace the switch.

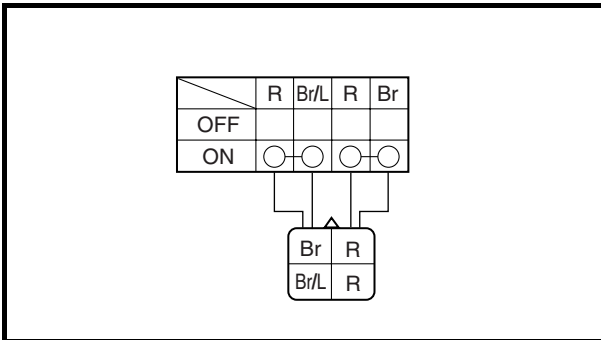


Pocket tester:

P/N. YU-03112-C, 90890-03112

NOTE:

- Set the pocket tester to “0” before starting the test.
- The pocket tester should be set to the “ $\Omega \times 1$ ” range when testing the switch for continuity.
- Turn the switch on and off a few times when checking it.



CHECKING A SWITCH SHOWN IN THE MANUAL

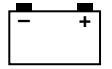
The terminal connections for switches (main switch, handlebar switch, engine stop switch, light switch, etc.) are shown in a chart similar to the one on the left.

This chart shows the switch positions in the column and the switch lead colors in the top row.

For each switch position, “○—○” indicates the terminals with continuity.

The example chart shows that:

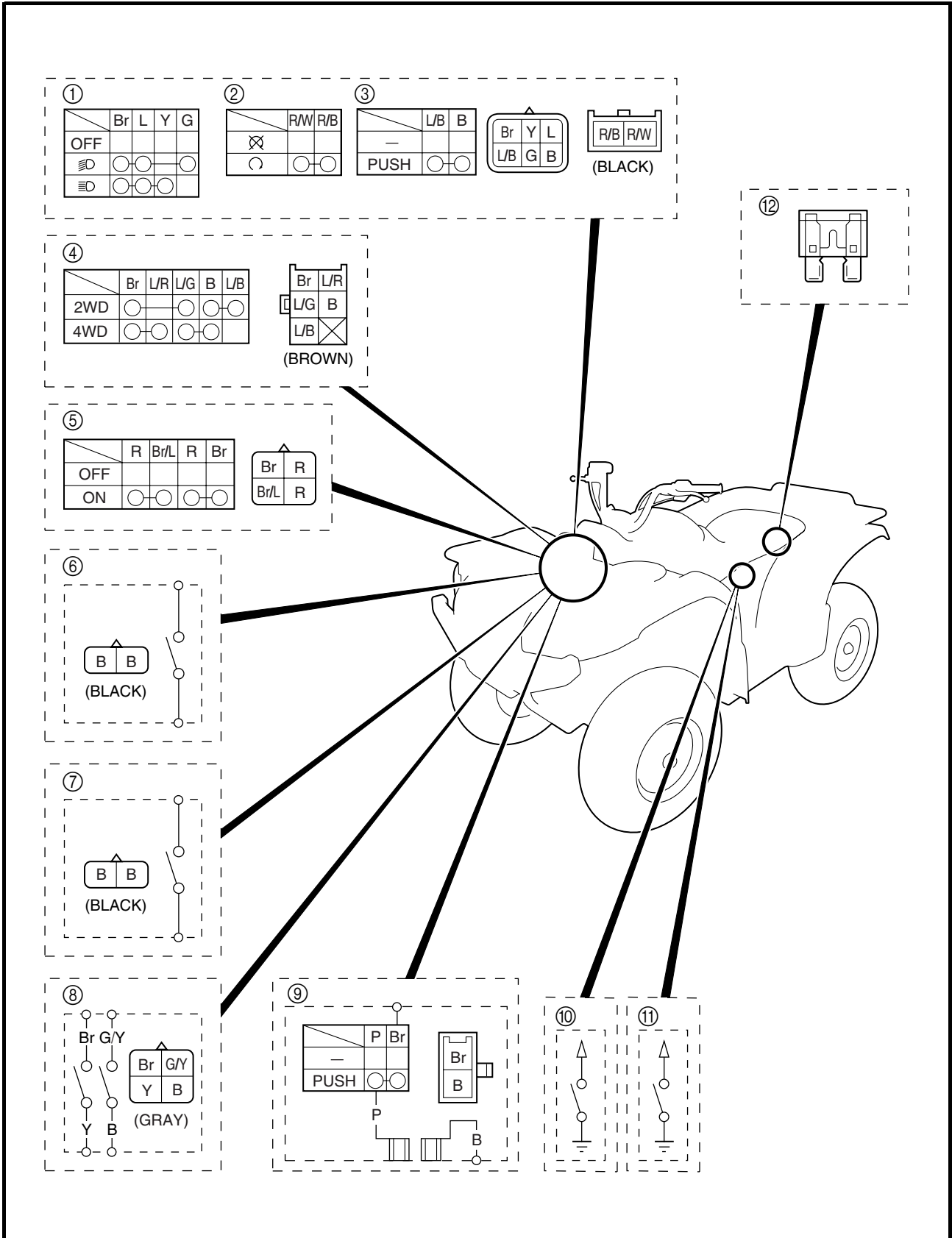
There is continuity between red and brown/blue, and between red and brown when the switch is set to “ON”.

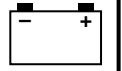


CHECKING THE SWITCHES CONTINUITY

Refer to "CHECKING THE SWITCHES" and check for continuity between lead terminals.
 Poor connection, no continuity → Correct or replace.

* The coupler locations are circled.





- ① Light switch
- ② Engine stop switch
- ③ Start switch
- ④ On-command four-wheel drive switch
- ⑤ Main switch
- ⑥ Rear brake light switch
- ⑦ Front brake light switch
- ⑧ Rear brake switch
- ⑨ Horn switch (For Europe and Oceania)
- ⑩ Neutral switch
- ⑪ Reverse switch
- ⑫ Fuses



EB801020

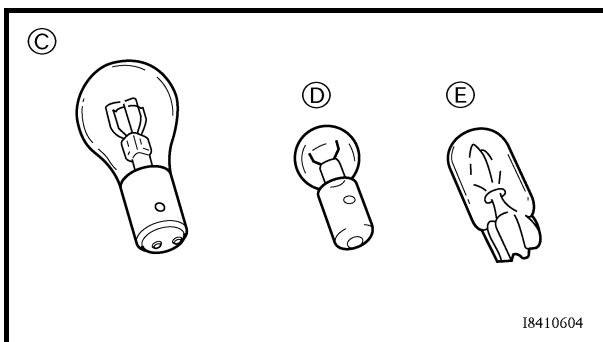
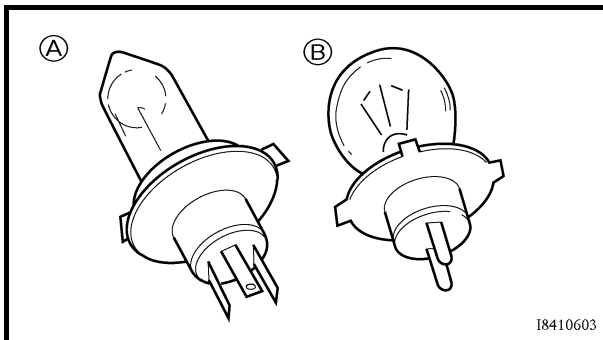
CHECKING THE BULBS AND BULB SOCKETS

Check each bulb and bulb socket for damage or wear, proper connections, and also for continuity between the terminals.

Damage/wear → Repair or replace the bulb, bulb socket or both.

Improperly connected → Properly connect.

Incorrect continuity reading → Repair or replace the bulb, bulb socket or both.



TYPES OF BULBS

The bulbs used on this machine are shown in the illustration on the left.

- Bulbs ① and ② are used for headlights and usually use a bulb holder which must be detached before removing the bulb. The majority of these bulbs can be removed from their respective socket by turning them counterclockwise.
- Bulb ③ is used for turn signal and tail/brake lights and can be removed from the socket by pushing and turning the bulb counterclockwise.
- Bulbs ④ and ⑤ are used for meter and indicator lights and can be removed from their respective socket by carefully pulling them out.

CHECKING THE CONDITION OF THE BULBS

The following procedure applies to all of the bulbs.

1. Remove:

- Bulb

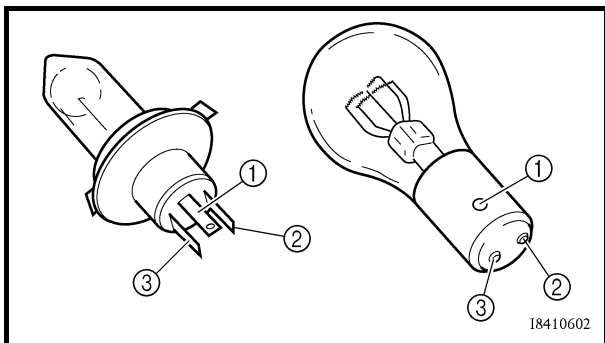


⚠ WARNING

Since the headlight bulbs gets extremely hot, keep flammable products and your hands away from the bulb until it has cooled down.

CAUTION:

- Be sure to hold the socket firmly when removing the bulb. Never pull the lead, otherwise it may be pulled out of the terminal in the coupler.
- Avoid touching the glass part of the headlight bulb to keep it free from oil, otherwise the transparency of the glass, the life of the bulb and the luminous flux will be adversely affected. If the headlight bulb gets soiled, thoroughly clean it with a cloth moistened with alcohol or lacquer thinner.



2. Check:

- Bulb (for continuity)
(with the pocket tester)
No continuity → Replace.

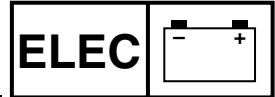


Pocket tester:
P/N. YU-03112-C, 90890-03112

NOTE:

Before checking for continuity, set the pocket tester to “0” and to the “Ω × 1” range.

- *****
- a. Connect the tester positive probe to terminal ① and the tester negative probe to terminal ②, and check the continuity.
 - b. Connect the tester positive probe to terminal ① and the tester negative probe to terminal ③, and check the continuity.
 - c. If either of the readings indicate no continuity, replace the bulb.
- *****



CHECKING THE CONDITION OF THE BULB SOCKETS

The following procedure applies to all of the bulb sockets.

1. Check:

- Bulb socket (for continuity)
(with the pocket tester)
No continuity → Replace.

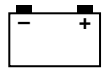


Pocket tester:
P/N. YU-03112-C, 90890-03112

NOTE:

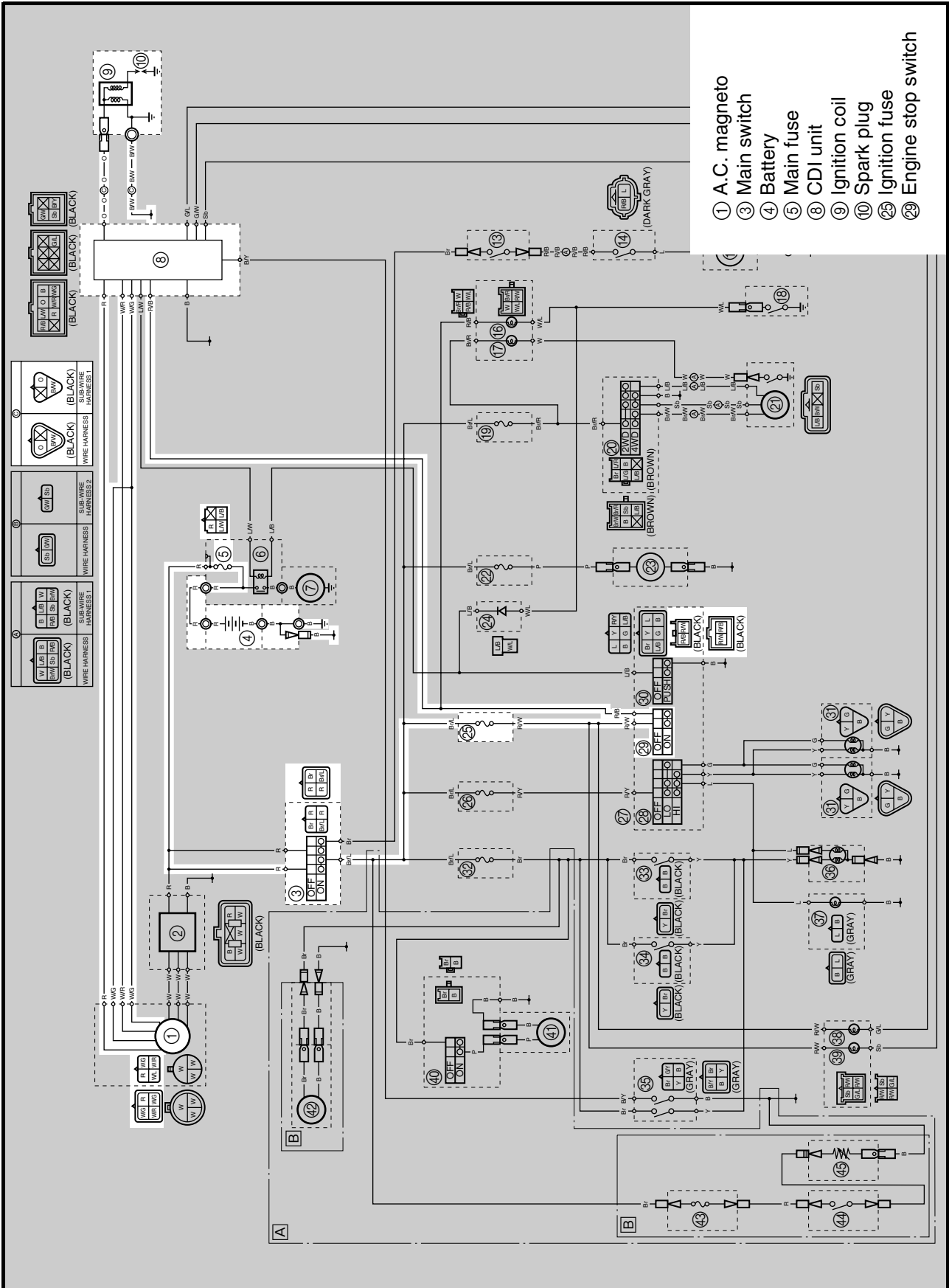
Check each bulb socket for continuity in the same manner as described in the bulb section; however, note the following.

- a. Install a good bulb into the bulb socket.
- b. Connect the pocket tester probes to the respective leads of the bulb socket.
- c. Check the bulb socket for continuity. If any of the readings indicate no continuity, replace the bulb socket.

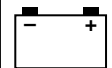


EB802000

IGNITION SYSTEM CIRCUIT DIAGRAM



- ① A.C. magneto
- ② Main switch
- ③ Battery
- ④ Main fuse
- ⑤ CDI unit
- ⑧ Ignition coil
- ⑨ Spark plug
- ⑩ Ignition fuse
- ⑳ Engine stop switch



EB802010

TROUBLESHOOTING

IF THE IGNITION SYSTEM FAILS TO OPERATE (NO SPARK OR INTERMITTENT SPARK):


Procedure

Check:

- 1.Fuse (main, ignition)
- 2.Battery
- 3.Spark plug
- 4.Ignition spark gap
- 5.Spark plug cap resistance
- 6.Ignition coil resistance
- 7.Engine stop switch
- 8.Main switch
- 9.Pickup coil resistance
- 10.Charging/rotor rotation direction detection coil resistance
- 11.Wiring connections (the entire ignition system)

NOTE:

- Remove the following part(s) before troubleshooting:
 - 1)Seat
 - 2)Fuel tank side panels
 - 3)Front carrier
 - 4)Front fender
- Use the following special tool(s) for troubleshooting.



Dynamic spark tester:
P/N. YM-34487

Ignition checker:
P/N. 90890-06754

Pocket tester:
P/N. YU-03112-C, 90890-03112

EB802011

1.Fuses (main, ignition)

Refer to "CHECKING THE SWITCHES".

CONTINUITY

EB802012

2.Battery

- Check the battery condition. Refer to "CHECKING THE BATTERY" in CHAPTER 3.

Open-circuit voltage:
12.8 V or more at 20 °C (68 °F)

CORRECT

3.Spark plug

- Check the spark plug condition.
- Check the spark plug type.
- Check the spark plug gap. Refer to "CHECKING THE SPARK PLUG" in CHAPTER 3.

NO CONTINUITY

Replace the fuses.

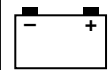
INCORRECT


- Clean the battery terminals.
- Recharge or replace the battery.

Standard spark plug:
DR8EA/NGK

IGNITION SYSTEM

ELEC




 **Spark plug gap:**
0.6 ~ 0.7 mm (0.024 ~ 0.028 in)

↓ CORRECT

For CDN

4. Ignition spark gap

- Disconnect the spark plug cap from the spark plug.
- Connect the dynamic spark tester ① as shown.
- ② Spark plug cap
- ③ Spark plug
- Turn the main switch to "ON".
- Check the ignition spark gap.
- Crank the engine by pushing the starter switch, and increase the spark gap until a misfiring occurs.

 **Minimum spark gap:**
6.0 mm (0.24 in)

For Europe and Oceania

4. Ignition spark gap

- Disconnect the spark plug cap from the spark plug.
- Connect the ignition checker ① as shown.
- ② Spark plug cap
- Turn the main switch to "ON".
- Check the ignition spark gap ③.
- Crank the engine by pushing the starter switch, and increase the spark gap until a misfiring occurs.

 **Minimum spark gap:**
6.0 mm (0.24 in)

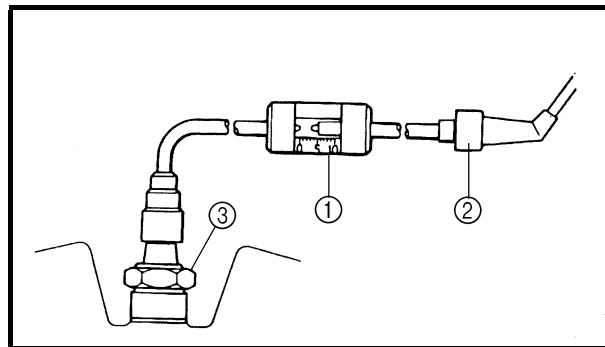
↓ OUT OF SPECIFICATION OR NO SPARK

5. Spark plug cap resistance

- Remove the spark plug cap.
- Connect the pocket tester ($\Omega \times 1k$) to the spark plug cap.

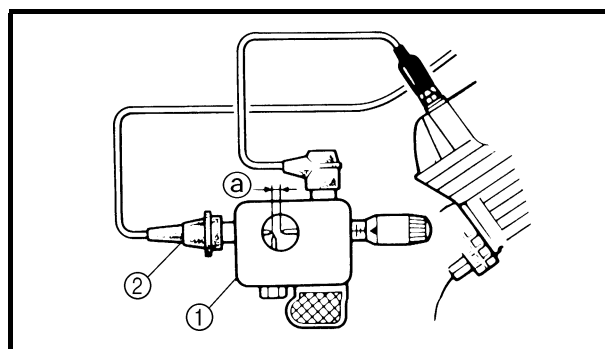
INCORRECT

Repair or replace the spark plug.



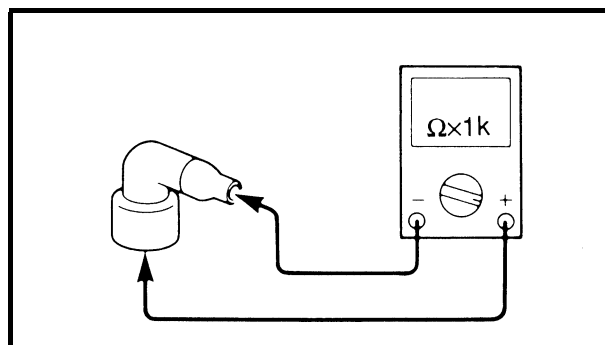
MEETS SPECIFICATION

The ignition system is not faulty.



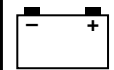
MEETS SPECIFICATION

The ignition system is not faulty.



IGNITION SYSTEM

ELEC



- Check that the spark plug cap has the specified resistance.



Spark plug cap resistance:
10 kΩ at 20 °C (68 °F)

↓ MEETS SPECIFICATION

OUT OF SPECIFICATION

Replace the spark plug cap.

6. Ignition coil resistance

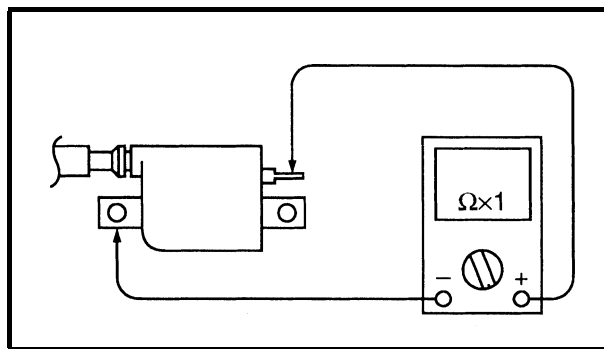
- Disconnect the ignition coil connector from the wire harness.
- Connect the pocket tester ($\Omega \times 1$) to the ignition coil.

Tester (+) lead → Orange lead terminal
Tester (-) lead → Ignition coil base

- Check that the primary coil has the specified resistance.



Primary coil resistance:
0.18 ~ 0.28 Ω at 20 °C (68 °F)



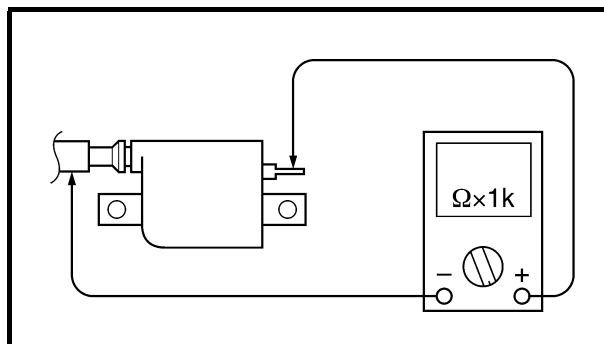
- Connect the pocket tester ($\Omega \times 1k$) to the ignition coil.

Tester (+) lead → Orange lead terminal
Tester (-) lead → Spark plug lead

- Check that the secondary coil has the specified resistance.



Secondary coil resistance:
6.32 ~ 9.48 kΩ at 20 °C (68 °F)



OUT OF SPECIFICATION

Replace the ignition coil.

↓ BOTH MEET SPECIFICATION

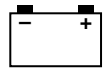
7. Engine stop switch

Refer to "CHECKING THE SWITCHES".

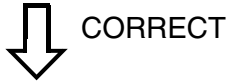
↓ CORRECT
*

INCORRECT

Replace the handlebar switch (left).



8. Main switch
Refer to "CHECKING THE SWITCHES".



9. Pickup coil resistance

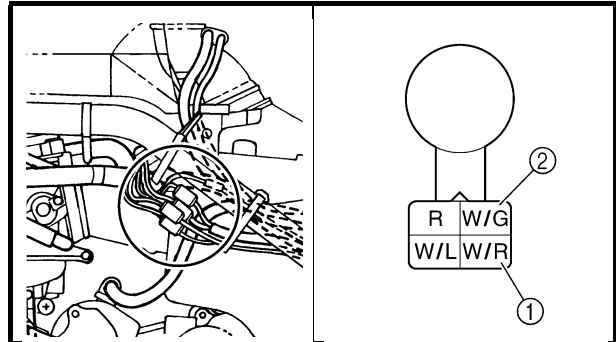
- Disconnect the AC magneto coupler from the wire harness.
- Connect the pocket tester ($\Omega \times 100$) to the pickup coil terminals.

Tester (+) lead → White/Red terminal ①
Tester (-) lead → White/Green terminal ②

INCORRECT



Replace the main switch.



- Check the pickup coil for the specified resistance.

Pickup coil resistance:
459 ~ 561 Ω at 20 °C (68 °F)
(White/Red – White/Green)



OUT OF SPECIFICATION



Replace the pickup coil/stator assembly.

10. Charging/rotor rotation direction detection coil resistance

- Disconnect the AC magneto coupler from the wire harness.
- Connect the pocket tester ($\Omega \times 100$) to the charging/rotor rotation direction detection coil terminal.

Tester (+) lead → Red terminal ①
Tester (-) lead → White/Blue terminal ②

- Check the charging/rotor rotation direction detection coil for the specified resistance.

Rotor rotation direction sensing coil resistance:
0.085 ~ 0.105 Ω at 20 °C (68 °F)
(Red – White/Blue)



OUT OF SPECIFICATION



Replace the pickup coil/stator assembly.

*



11. Wiring connections

- Check the connections of the entire ignition system. Refer to "CIRCUIT DIAGRAM".



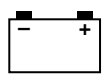
CORRECT

Replace the CDI unit.

POOR CONNECTION

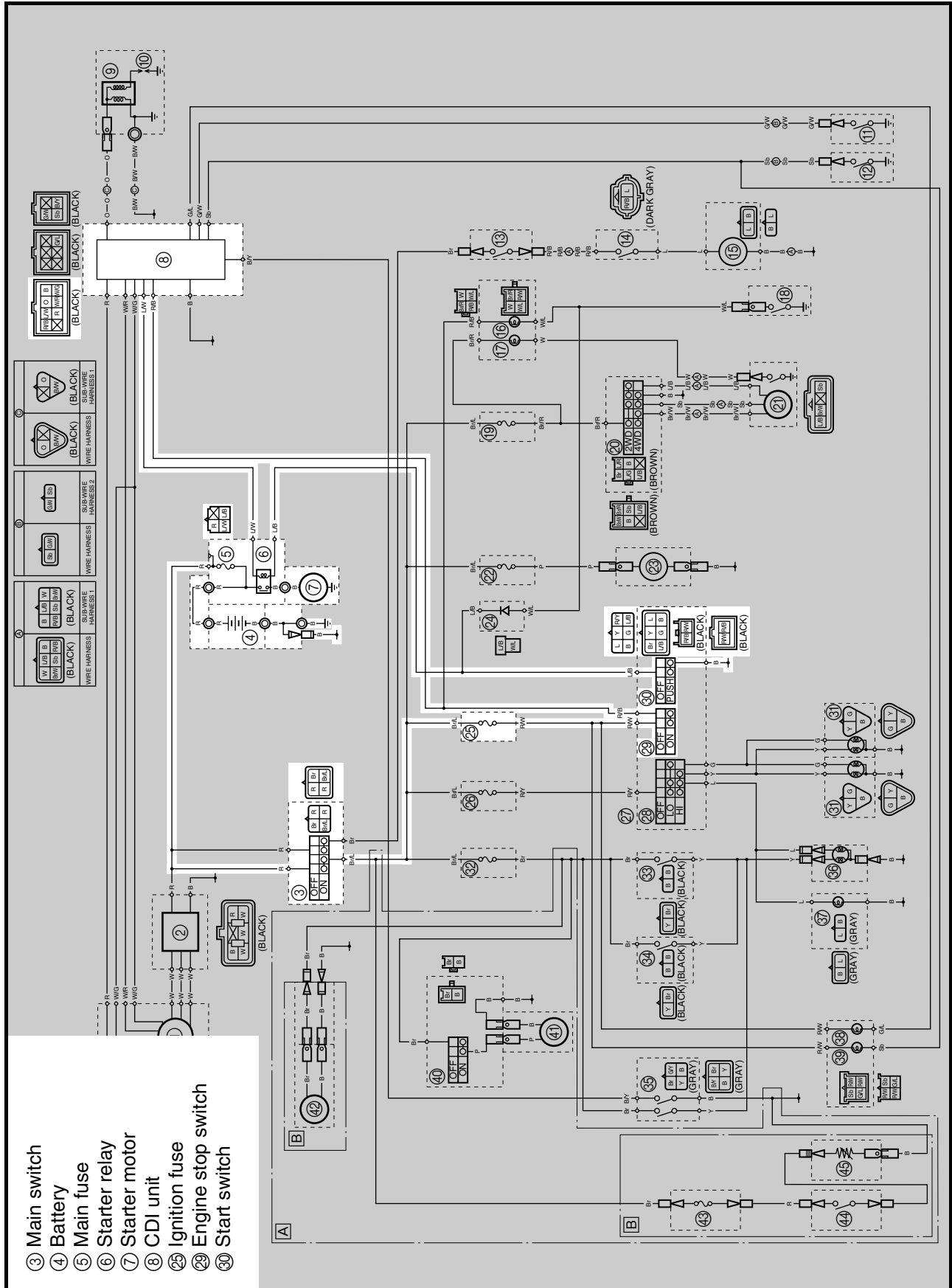


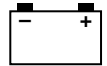
Properly connect the ignition system.



EB803000

ELECTRIC STARTING SYSTEM CIRCUIT DIAGRAM





EB803020

TROUBLESHOOTING

IF THE STARTER MOTOR FAILS TO OPERATE:

Procedure

Check:

1. Fuse (main, ignition)
2. Battery
3. Starter motor
4. Starter relay
5. Main switch
6. Engine stop switch
7. Start switch
8. Wiring connections (the entire starting system)

NOTE:

- Remove the following part(s) before troubleshooting:

- 1) Seat
- 2) Fuel tank side panels
- 3) Fuel tank
- 4) Air cleaner case
- 5) Front carrier
- 6) Front fender panel

- Use the following special tool(s) for troubleshooting.

Pocket tester:
P/N. YU-03112-C, 90890-03112

EB802011

1. Fuses (main, ignition)

Refer to "CHECKING THE SWITCHES".

↓ CONTINUITY

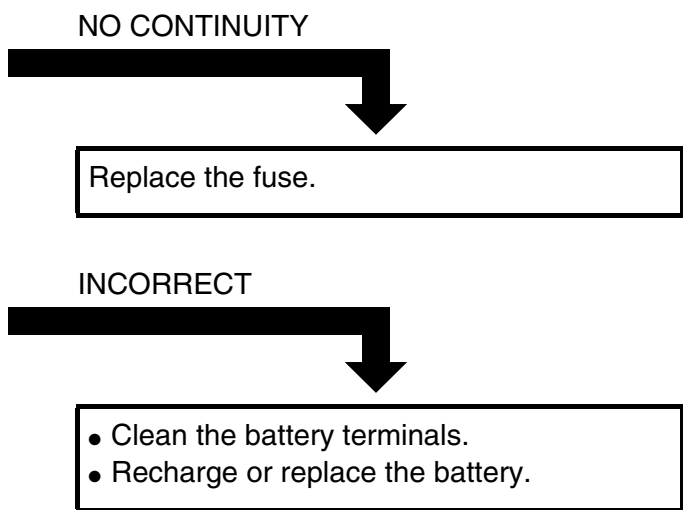
EB802012

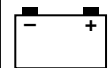
2. Battery

- Check the battery condition. Refer to "CHECKING THE BATTERY" in CHAPTER 3.

Open-circuit voltage:
12.8 V or more at 20 °C (68 °F)

↓ CORRECT
*





3. Starter motor

- Connect the battery positive terminal ① and starter motor cable ② using a jumper lead ③ *.
- Check the operation of the starter motor.

*

⚠ WARNING

- A wire that is used as a jumper lead must have the equivalent capacity or more as that of the battery lead, otherwise the jumper lead may burn.
- This check is likely to produce sparks, so be sure that no flammable gas or fluid is in the vicinity.

DOES NOT TURN

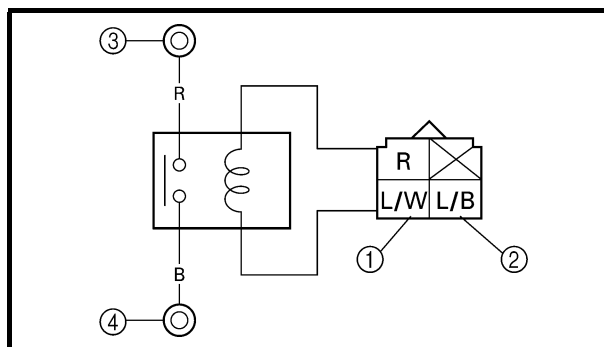


Repair or replace the starter motor.



4. Starter relay

- Remove the starter relay from the wire harness.
- Connect the pocket tester ($\Omega \times 1$) and the battery (12 V) to the starter relay terminals.



Battery (+) terminal → Blue/White terminal ①
Battery (-) terminal → Blue/Black terminal ②

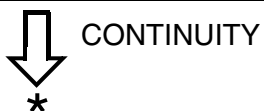
Tester (+) lead → Red terminal ③
Tester (-) lead → Black terminal ④

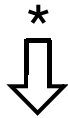
- Check the starter relay for continuity.

NO CONTINUITY



Replace the starter relay.





5. Main switch
Refer to "CHECKING THE SWITCHES".

INCORRECT



Replace the main switch.

CORRECT



6. Engine stop switch
Refer to "CHECKING THE SWITCHES".

INCORRECT



Replace the handlebar switch (left).

CORRECT



7. Start switch
Refer to "CHECKING THE SWITCHES".

INCORRECT



Replace the handlebar switch (left).

CORRECT



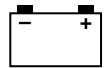
EB803028

8. Wiring connections
• Check the connections of the entire starting system.
Refer to "CIRCUIT DIAGRAM".

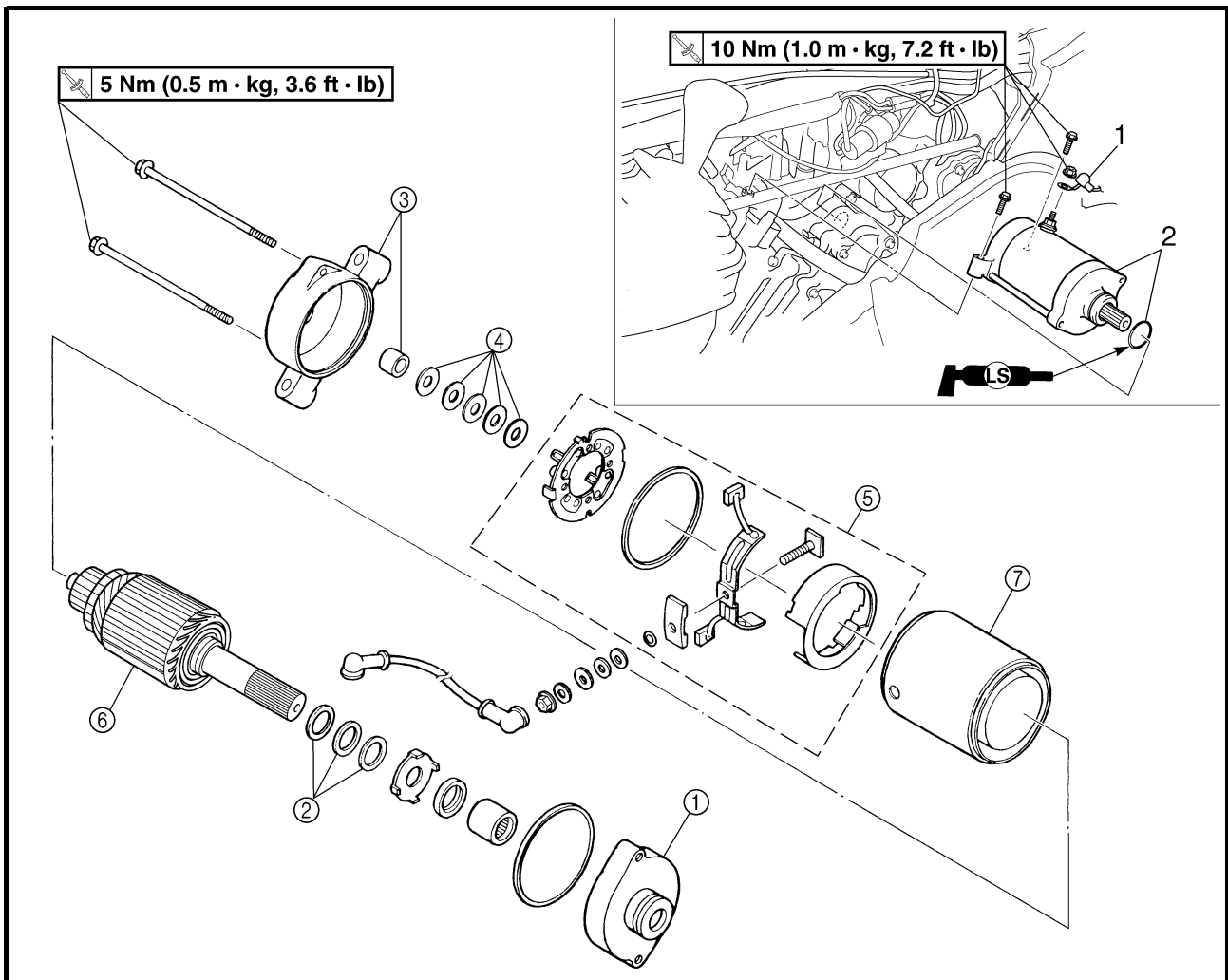
POOR CONNECTION



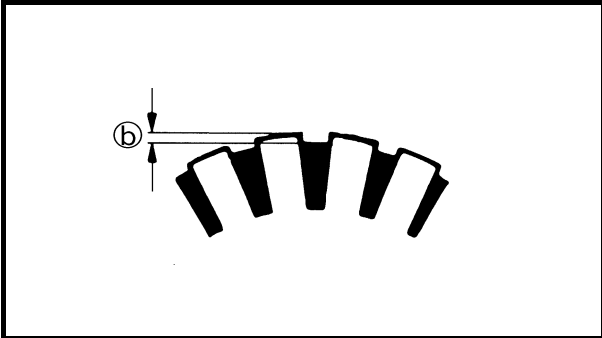
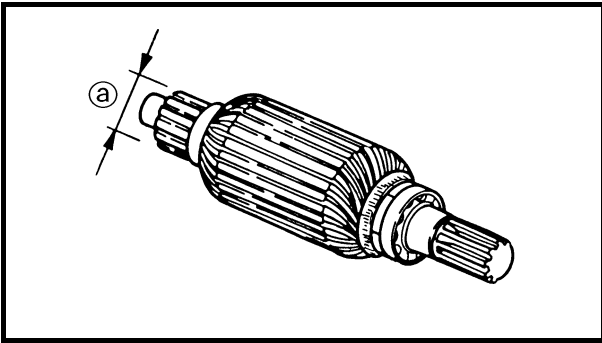
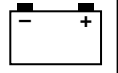
Properly connect the starting system.



STARTER MOTOR



Order	Job name/Part name	Q'ty	Remarks
	Removing the starter motor		Remove the parts in the order below.
1	Starter motor lead	1	
2	Starter motor/O-ring	1/1	
	Disassembling the starter motor		Remove the parts in the order below.
①	Bracket 1	1	Refer to "ASSEMBLING THE STARTER MOTOR".
②	Washer kit		
③	Bracket 2/bushing	1	
④	Shims		
⑤	Brush holder set	1	
⑥	Armature coil	1	
⑦	Yoke	1	
			For assembly, reverse the disassembly procedure.



CHECKING THE STARTER MOTOR

1. Check:

- Commutator
Dirty → Clean it with #600 grit sandpaper.

2. Measure:

- Commutator diameter Ⓐ
Out of specification → Replace the starter motor.



Outside diameter:
28 mm (1.10 in)
<Wear limit:>
27 mm (1.06 in)

3. Measure:

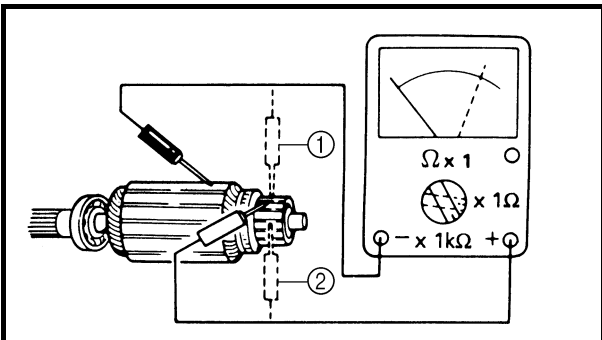
- Mica undercut Ⓑ
Out of specification → Scrape the mica using a hacksaw blade.



Mica undercut:
0.7 mm (0.03 in)

NOTE:

Scrape the mica to the proper measurement using a hacksaw blade which has been grounded to fit the commutator.



4. Check:

- Armature coil (insulation/continuity)
Defects → Replace the starter motor.

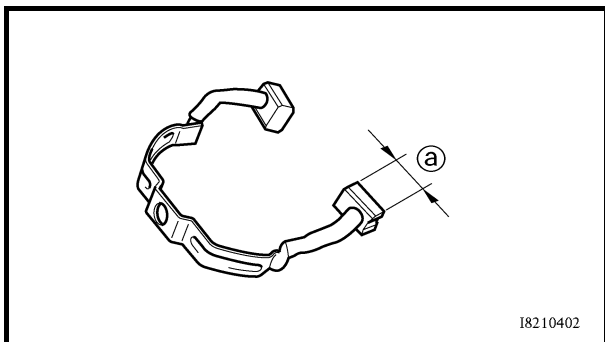
Checking steps:

- Connect the pocket tester for the continuity check ① and insulation check ②.
- Measure the armature resistances.



Armature coil resistance:
Continuity check ①:
0.025 ~ 0.035 Ω at 20 °C (68 °F)
Insulation check ②:
More than 1 MΩ at 20 °C (68 °F)

- If the resistance is incorrect, replace the starter motor.



5.Measure:

- Brush length (a) (each)
Out of specification → Replace the brush holder set.



Brush length:
12.5 mm (0.49 in)
<Wear limit:>
5 mm (0.20 in)

6.Measure:

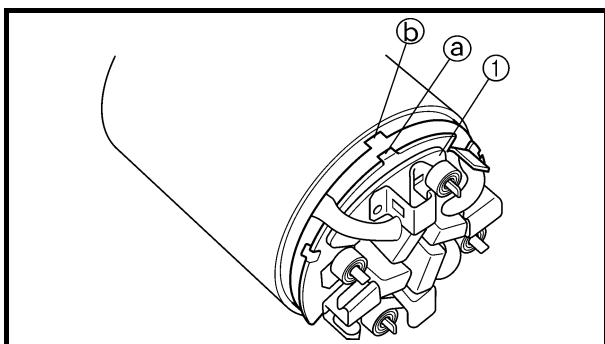
- Brush spring force
Fatigue/out of specification → Replace the brush holder set.



Brush spring force:
7.65 ~ 10.01 Nm
(780 ~ 1,020 g, 27.54 ~ 36.03 oz)

7.Check:

- O-rings
Wear/damage → Replace.



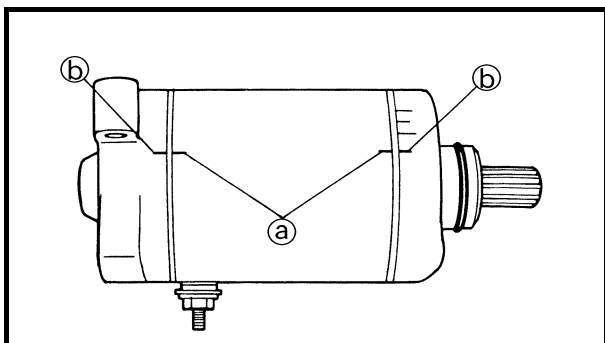
ASSEMBLING THE STARTER MOTOR

1.Install:

- Brush holder set ①

NOTE:

Align the projection (a) on the brush seat 1 with the slot (b) on the yoke.

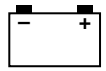


2.Install:

- Yoke
- Brackets

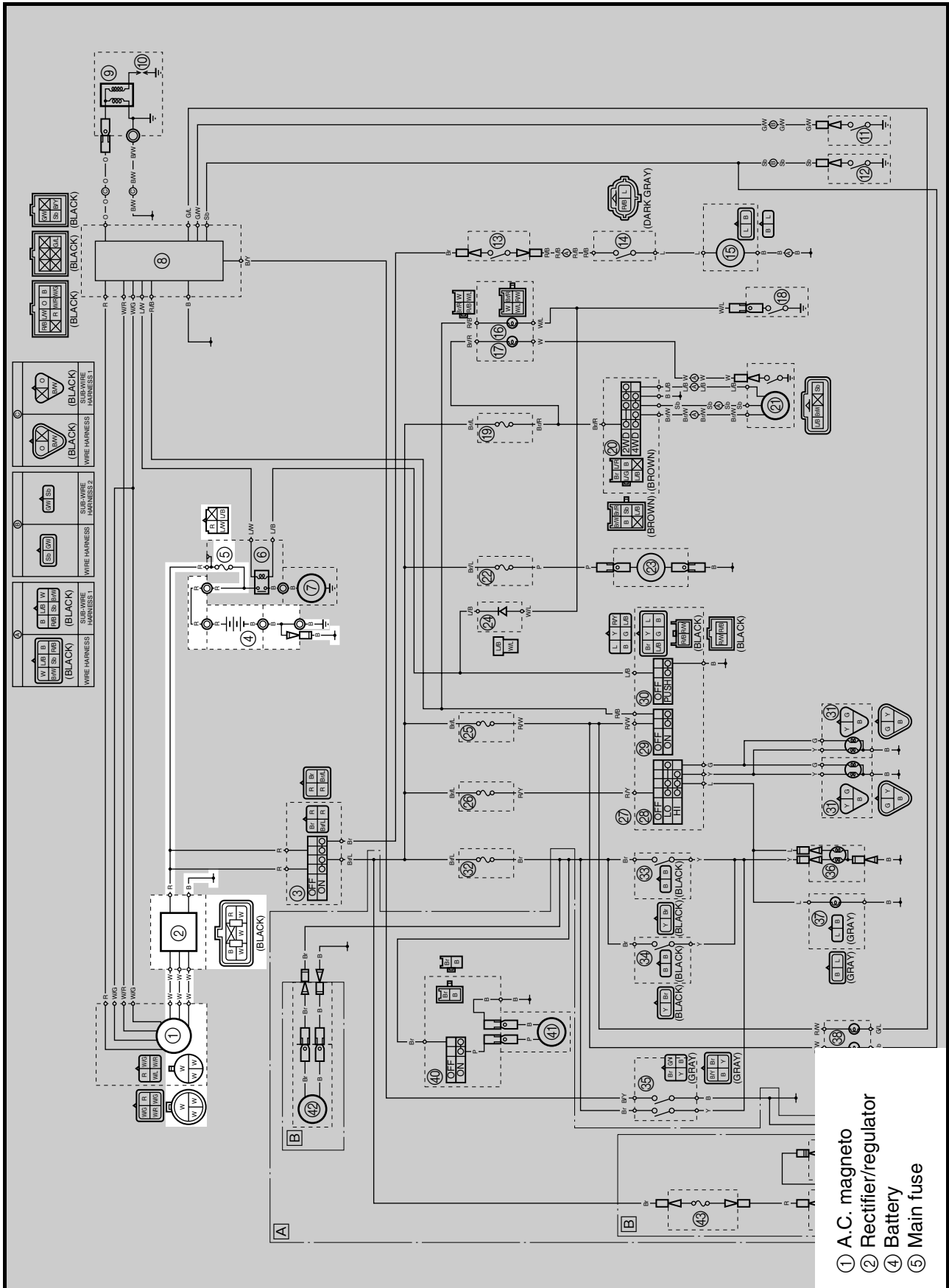
NOTE:

Align the match marks (a) on the yoke with the match marks (b) on the brackets.

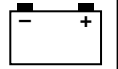


EB804000

CHARGING SYSTEM CIRCUIT DIAGRAM



- ① A.C. magneto
- ② Rectifier/regulator
- ④ Battery
- ⑤ Main fuse



EB804010

TROUBLESHOOTING

IF THE BATTERY IS NOT CHARGED:

Procedure

Check:

1. Fuse (main)
2. Battery
3. Charging voltage
4. Charging coil resistance
5. Wiring connections
(the entire charging system)

NOTE:

- Remove the following part(s) before troubleshooting:
 - 1) Seat
 - 2) Fuel tank side panels
- Use the following special tool(s) for troubleshooting.

Inductive self-powered tachometer:
P/N. YU-8036-B

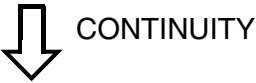
Engine tachometer:
P/N. 90890-03113

Pocket tester:
P/N. YU-03112-C, 90890-03112

EB802011

1. Fuse (main)

Refer to "CHECKING THE SWITCHES".

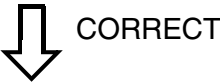


EB802012

2. Battery

- Check the battery condition. Refer to "CHECKING THE BATTERY" in CHAPTER 3.

Open-circuit voltage:
12.8 V or more at 20 °C (68 °F)



EB804011

3. Charging voltage

- Connect the engine tachometer to the spark plug lead #1.
- Connect the pocket tester (DC 20 V) to the battery.

Tester (+) lead → Battery (+) terminal
Tester (-) lead → Battery (-) terminal

NO CONTINUITY

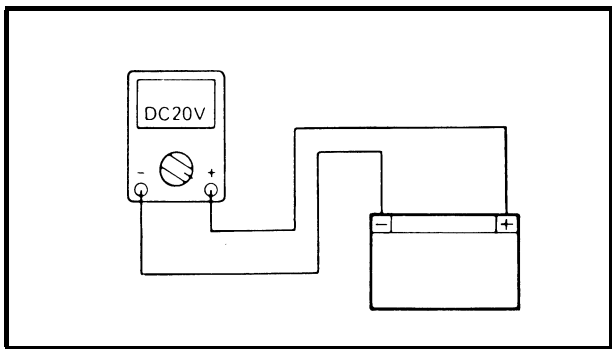


Replace the fuse.

INCORRECT



- Clean the battery terminals.
- Recharge or replace the battery.





- Start the engine and accelerate to about 5,000 r/min.



Charging voltage:
14 V at 5,000 r/min

NOTE:

Use a fully charged battery.

MEETS SPECIFICATION



The charging circuit is not faulty.

OUT OF SPECIFICATION

EB804012

4. Charging coil resistance

- Disconnect the AC magneto coupler from the wire harness.
- Connect the pocket tester ($\Omega \times 1$) to the charging coils.

Tester (+) lead → White terminal ①

Tester (-) lead → White terminal ②

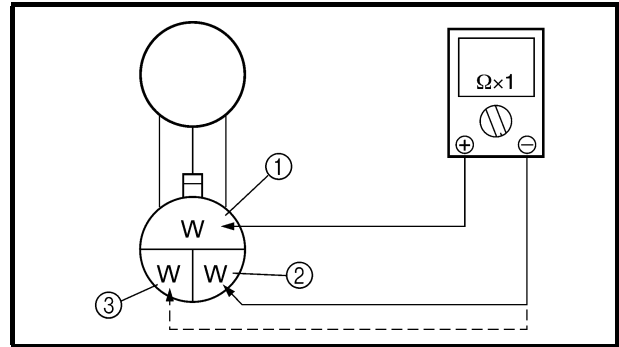
Tester (+) lead → White terminal ①

Tester (-) lead → White terminal ③

- Measure the stator coil resistance.



Charging coil resistance:
0.46 ~ 0.62 Ω at 20 °C (68 °F)



OUT OF SPECIFICATION



Replace the pickup coil/stator assembly.

MEETS SPECIFICATION

EB804015

5. Wiring connections

- Check the connections of the entire charging system. Refer to "CIRCUIT DIAGRAM".

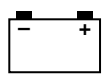
POOR CONNECTION



Properly connect the charging system.

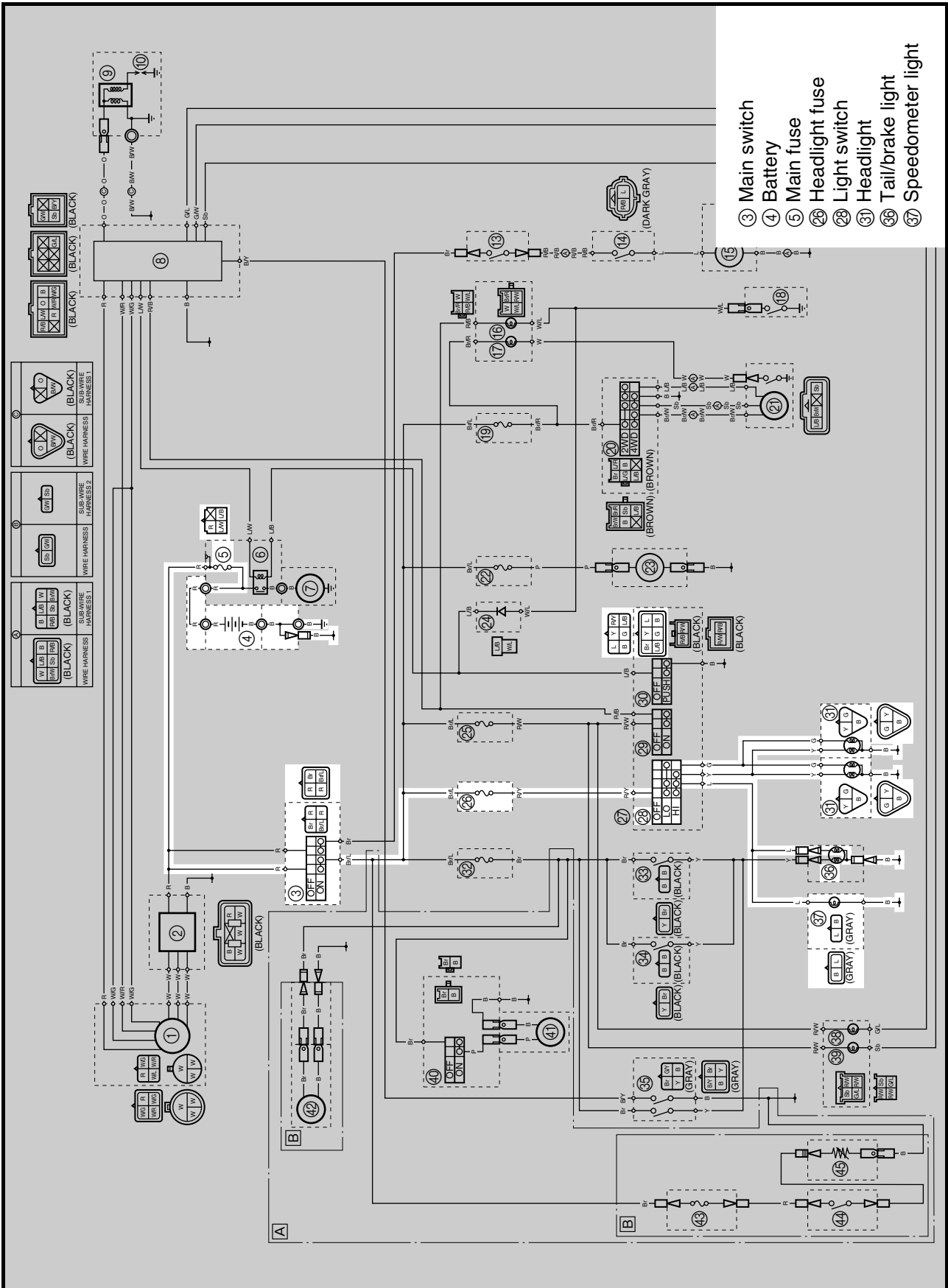
CORRECT

Replace the rectifier/regulator.

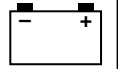


EB805000

LIGHTING SYSTEM CIRCUIT DIAGRAM



- ③ Main switch
- ④ Battery
- ⑤ Main fuse
- ②⑥ Headlight fuse
- ②⑧ Light switch
- ③① Headlight
- ③⑥ Tail/brake light
- ③⑦ Speedometer light



EB805010

TROUBLESHOOTING

IF THE HEADLIGHT AND/OR TAILLIGHT FAIL TO COME ON:

Procedure

Check:

- 1. Fuses (main, headlight)
- 2. Battery
- 3. Main switch
- 4. Light switch
- 5. Wiring connections (the entire lighting system)

NOTE:

- Remove the following part(s) before troubleshooting:
 - 1) Seat
 - 2) Front carrier
 - 3) Front fender panel
- Use the following special tool(s) for troubleshooting.



Pocket tester:
P/N. YU-03112-C, 90890-03112

EB802011

1. Fuses (main, headlight)
Refer to "CHECKING THE SWITCHES".



EB802012

2. Battery

- Check the battery condition.
- Refer to "CHECKING THE BATTERY" in CHAPTER 3.

Open-circuit voltage:
12.8 V or more at 20 °C (68 °F)



NO CONTINUITY

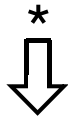
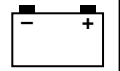


Replace the fuse.

INCORRECT



- Clean the battery terminals.
- Recharge or replace the battery.



3. Main switch
Refer to "CHECKING THE SWITCHES".

INCORRECT



Replace the main switch.

CORRECT



4. Light switch
Refer to "CHECKING THE SWITCHES".

INCORRECT



Light switch is faulty, replace the handlebar switch (left).

CORRECT



EB805013

5. Wiring connections
• Check the connections of the entire lighting system.
Refer to "WIRING DIAGRAM".

POOR CONNECTION

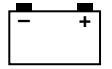


Properly connect the lighting system.

CORRECT



Check the condition of each of the lighting system's circuits.
Refer to "CHECKING THE LIGHTING SYSTEM".



EB805020

CHECKING THE LIGHTING SYSTEM

1.If the headlights fail to come on:

1.Bulb and bulb socket

- Check the bulb and bulb socket for continuity.

NO CONTINUITY



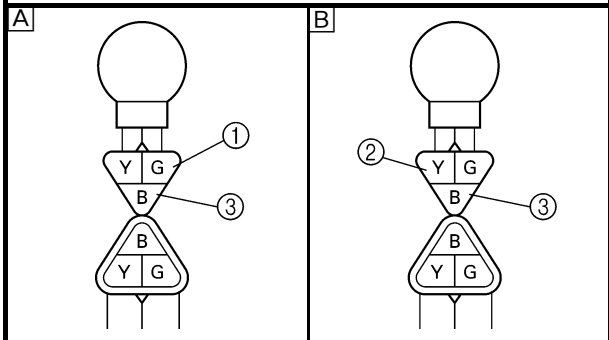
Replace the bulb and/or bulb socket.

CONTINUITY



2.Voltage

- Connect the pocket tester (DC 20 V) to the headlight couplers.



Tester (+) lead → Green terminal ① or Yellow terminal ②
Tester (-) lead → Black terminal ③

- A** When the light switch is on “”.
- B** When the light switch is on “”.

- Turn the main switch to “ON”.
- Turn the light switch to “” or “”.
- Check the voltage (12 V) of the “Green” and “Yellow” leads on the bulb socket connector.

OUT OF SPECIFICATION

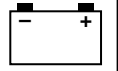


The wiring circuit from the main switch to the bulb socket connector is faulty, repair it.

MEETS SPECIFICATION



This circuit is not faulty.



EB805021

2.If the taillight fails to come on:

1.Bulb and bulb socket

- Check the bulb and bulb socket for continuity.

CONTINUITY

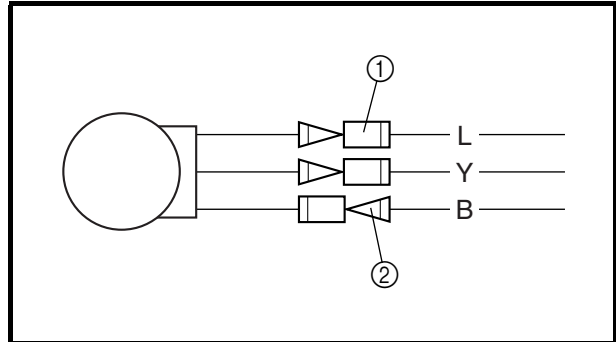
2.Voltage

- Connect the pocket tester (20 V) to the bulb socket coupler.

Tester (+) lead → Blue lead ①
 Tester (-) lead → Black lead ②

NO CONTINUITY

Replace the bulb and/or bulb socket.



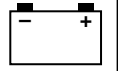
- Turn the main switch to "ON".
- Turn the light switch to "☰☉" or "☷☉".
- Check the voltage (12 V) of the "Blue" lead on the bulb socket connector.

MEETS SPECIFICATION

This circuit is not faulty.

OUT OF SPECIFICATION

The wiring circuit from the main switch to the bulb socket connector is faulty, repair it.



EB805021

3.If the speedometer light fails to come on:

1.Bulb and bulb socket

- Check the bulb and bulb socket for continuity.

CONTINUITY

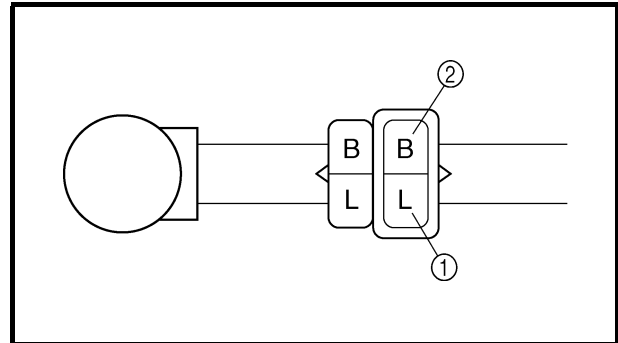
2.Voltage

- Connect the pocket tester (20 V) to the bulb socket coupler.

Tester (+) lead → Blue terminal ①
Tester (-) lead → Black terminal ②

NO CONTINUITY

Replace the bulb and/or bulb socket.



- Turn the main switch to "ON".
- Turn the light switch to "☰" or "☷".
- Check the voltage (12 V).

MEETS SPECIFICATION

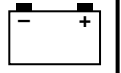
This circuit is not faulty.

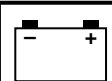
OUT OF SPECIFICATION

The wiring circuit from the main switch to the bulb socket connector is faulty, repair it.

LIGHTING SYSTEM

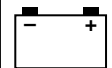
ELEC





- ③ Main switch
- ④ Battery
- ⑤ Main fuse
- ⑧ CDI unit
- ⑪ Reverse switch
- ⑫ Neutral switch
- ⑯ Coolant temperature warning light
- ⑰ Four-wheel drive indicator light
- ⑱ Thermo switch (cylinder head)
- ⑲ Four-wheel drive fuse
- ⑳ Gear motor
- ㉒ Diode
- ㉓ Ignition fuse
- ㉔ Engine stop switch
- ㉕ Start switch
- ㉖ Signaling system fuse
- ㉗ Front brake light switch
- ㉘ Rear brake light switch
- ㉙ Rear brake switch
- ㉚ Tail/brake light
- ㉛ Reverse indicator light
- ㉜ Neutral indicator light
- ㉝ Horn switch (For Europe and Oceania)
- ㉞ Horn

Ⓐ For Europe and Oceania



EB806010

TROUBLESHOOTING

**IF THE BRAKE LIGHT AND/OR AN INDICATOR LIGHT FAILS TO COME ON:
IF THE HORN FAILS TO SOUND (FOR EUROPE AND OCEANIA):**

Procedure

Check:

- 1.Fuses (main, four-wheel drive, ignition, signaling system)
- 2.Battery
- 3.Main switch
- 4.Wiring connections
(the entire signal system)

NOTE:

- Remove the following part(s) before troubleshooting:
 - 1)Seat
 - 2)Fuel tank
 - 3)Air filter case
 - 4)Front carrier
 - 5)Front fender panel
- Use the following special tool(s) for troubleshooting.

Pocket tester:
P/N. YU-03112-C, 90890-03112

EB802011

1.Fuses (main, four-wheel drive, ignition, signaling system)

Refer to "CHECKING THE SWITCHES".

↓ CONTINUITY

EB802012

2.Battery

- Check the battery condition.
Refer to "CHECKING THE BATTERY" in CHAPTER 3.

Open-circuit voltage:
12.8 V or more at 20 °C (68 °F)

↓ CORRECT
*

NO CONTINUITY

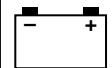


Replace the fuse.

INCORRECT



- Clean the battery terminals.
- Recharge or replace the battery.



3. Main switch
Refer to "CHECKING THE SWITCHES".

INCORRECT



Replace the main switch.

CORRECT



EB806011

4. Wiring connections
• Check the connections of the entire signal system.
Refer to "CIRCUIT DIAGRAM".

POOR CONNECTION

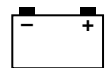


Properly connect the signal system.

CORRECT



Check the condition of each of the signal system's circuits.
Refer to "CHECKING THE SIGNAL SYSTEM".



CHECKING THE SIGNAL SYSTEM

1.If the brake light fails to come on:

1.Bulb and bulb socket

- Check the bulb and bulb socket for continuity.



NO CONTINUITY



Replace the bulb and/or bulb socket.

2.Brake light switches

Refer to “CHECKING THE SWITCHES”.



NO CONTINUITY

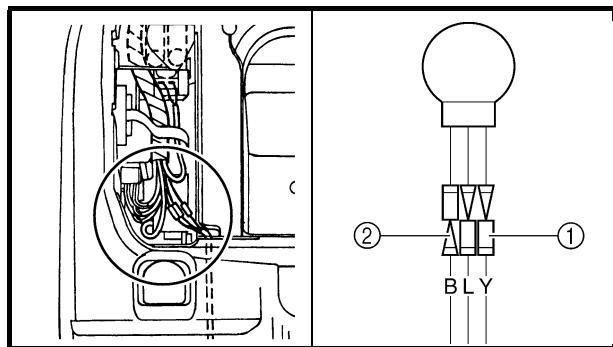


Replace the brake light switch.

3.Voltage

- Connect the pocket tester (DC 20 V) to the bulb socket connector.

Tester (+) lead → Yellow terminal ①
Tester (-) lead → Black terminal ②



- Turn the main switch to “ON”.
- Pull in the brake lever or push down on the brake pedal.
- Check the voltage (12 V) of the “Yellow” lead on the bulb socket connector.

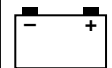


OUT OF SPECIFICATION



The wiring circuit from the main switch to the bulb socket connector is faulty, repair it.

This circuit is not faulty.



EB806024

2.If the neutral indicator light fails to come on:

1.Bulb and bulb socket

- Check the bulb and bulb socket for continuity.

CONTINUITY

2.Neutral switch

Refer to “CHECKING THE SWITCHES”.

CONTINUITY

3.Voltage

- Connect the pocket tester (DC 20 V) to the bulb socket coupler.

Tester (+) lead → Red/White terminal ①

Tester (-) lead → Sky blue terminal ②

- Turn the main switch to “ON”.
- Check the voltage (12 V).

MEETS SPECIFICATION

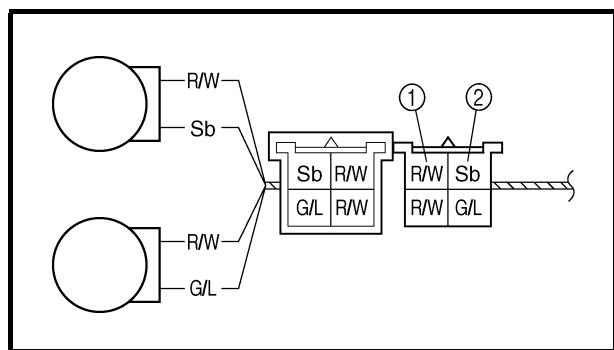
This circuit is not faulty.

NO CONTINUITY

Replace the bulb and/or bulb socket.

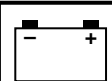
NO CONTINUITY

Replace the neutral switch.



OUT OF SPECIFICATION

The wiring circuit from the main switch to the bulb socket connector is faulty, repair it.



3.If the reverse indicator light fails to come on:

1.Bulb and bulb socket

- Check the bulb and bulb socket for continuity.

CONTINUITY

NO CONTINUITY

Replace the bulb and/or bulb socket.

2.Reverse switch

Refer to “CHECKING THE SWITCHES”.

CONTINUITY

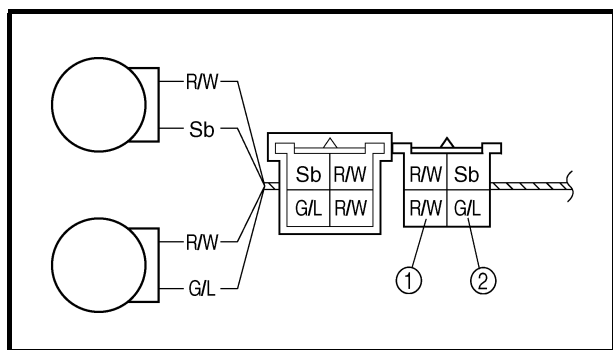
NO CONTINUITY

Replace the reverse switch.

3.Voltage

- Connect the pocket tester (DC 20 V) to the bulb socket coupler.

Tester (+) lead → Red/White terminal ①
Tester (-) lead → Green/Blue terminal ②



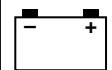
- Turn the main switch to “ON”.
- Check the voltage (12 V).

MEETS SPECIFICATION

OUT OF SPECIFICATION

Replace the CDI unit.

The wiring circuit from the main switch to the bulb socket connector is faulty, repair it.



4.If the coolant temperature warning light does not come on:

- Check that the light comes on when the main switch is set to “ON”.
- Check that the light comes on when the coolant temperature is $120 \pm 3 \text{ }^\circ\text{C}$ ($248 \pm 5.4 \text{ }^\circ\text{F}$) or higher and that the light remains on when the coolant temperature drops to $113 \text{ }^\circ\text{C}$ ($235.4 \text{ }^\circ\text{F}$).

1.Bulb and bulb socket
Check the bulb and bulb socket for continuity.



NO CONTINUITY

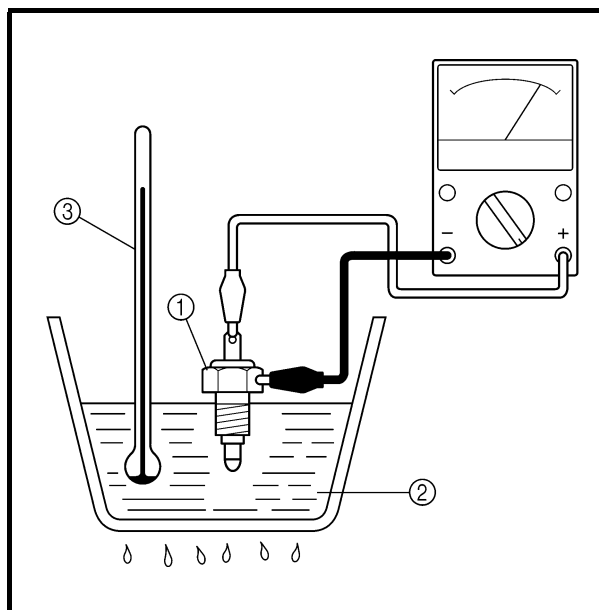


Replace the bulb and/or bulb socket.

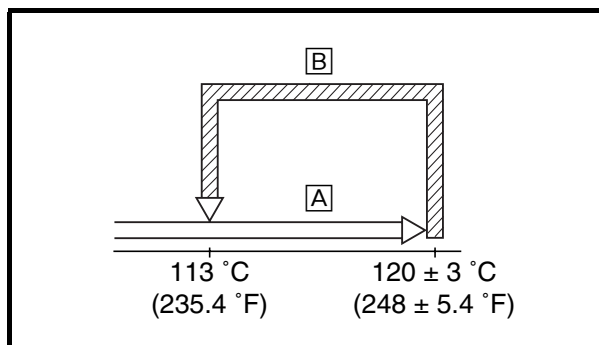
2.Thermo switch (cylinder head)

- Remove the thermo switch (cylinder head) from the cylinder head.
- Connect the pocket tester ($\Omega \times 1$) to the thermo switch (cylinder head) ①.
- Immerse the thermo switch (cylinder head) in coolant ②.
- Check the thermo switch (cylinder head) for continuity.

While heating the coolant use a thermometer ③ to record the temperatures.



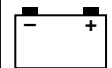
Test step	Coolant temperature	Continuity
	Thermo switch (cylinder head)	
1	Less than $120 \pm 3 \text{ }^\circ\text{C}$ ($248 \pm 5.4 \text{ }^\circ\text{F}$)	NO
2	More than $120 \pm 3 \text{ }^\circ\text{C}$ ($248 \pm 5.4 \text{ }^\circ\text{F}$)	YES
3	More than $113 \text{ }^\circ\text{C}$ ($235.4 \text{ }^\circ\text{F}$)	YES
4	Less than $113 \text{ }^\circ\text{C}$ ($235.4 \text{ }^\circ\text{F}$)	NO




Test steps 1 & 2: Heating phase
Test steps 3 & 4: Cooling phase

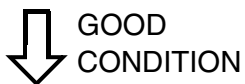
- Ⓐ The thermo switch (cylinder head) circuit is open and the coolant temperature warning light is off.
- Ⓑ The thermo switch (cylinder head) circuit is closed and the coolant temperature warning light is on.





⚠ WARNING
 Handle the thermo switch (cylinder head) with special care. Never subject it to a strong shock or allow it to be dropped. Should it be dropped, it must be replaced.

 Thermo switch (cylinder head):
 8 Nm (0.8 m • kg, 5.8 ft • lb)
 Three bond sealock® #10

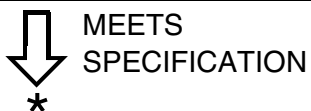


3. Voltage

- Connect the pocket tester (DC 20 V) to the bulb socket connector.

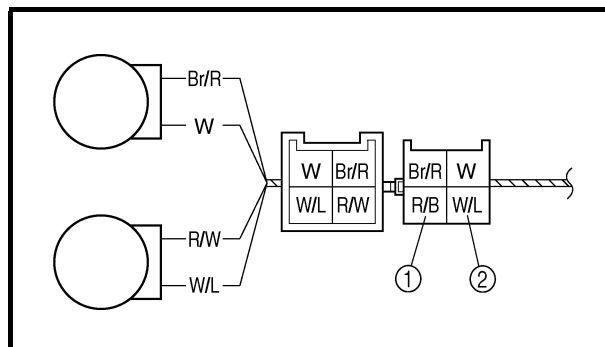
Tester (+) lead → Red/Black terminal ①
Tester (-) lead → White/Blue terminal ②

- Turn the main switch to “ON”.
- Check the voltage (12 V).



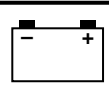
BAD CONDITION

Replace the thermo switch (cylinder head).

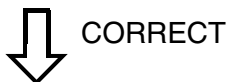


OUT OF SPECIFICATION

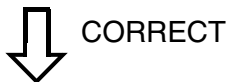
The wiring circuit from the main switch to the bulb socket connector is faulty, repair it.



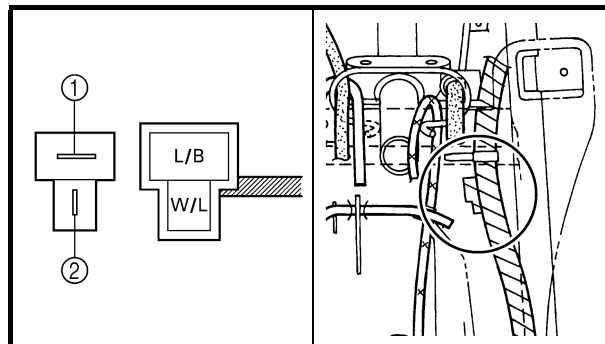
4.Diode	
<ul style="list-style-type: none"> Remove the diode from the coupler. Connect the pocket tester ($\Omega \times 1$) to the diode terminals as shown. Check the diode for continuity as follows. 	
Tester (+) lead → Blue/Black terminal ① Tester (-) lead → White/Blue terminal ②	Continuity
Tester (+) lead → White/Blue terminal ② Tester (-) lead → Blue/Black terminal ①	No continuity



5.Start switch
Refer to "CHECKING THE SWITCHES".



This circuit is not faulty.



NOTE: When you switch the tester's positive and negative probes, the readings in the left chart will be reversed.

INCORRECT



Replace the diode.

INCORRECT



Replace the handlebar switch (left).



5.If the four-wheel drive indicator light fails to come on:

1.Bulb and bulb socket

- Check the bulb and bulb socket for continuity.

CONTINUITY

2.Voltage

- Connect the pocket tester (DC 20 V) to the bulb socket lead.

Tester (+) lead → Brown/Red terminal ①
Tester (-) lead → White terminal ②

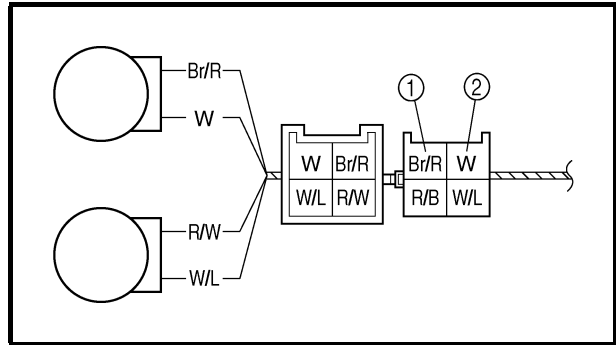
- Turn the main switch to "ON".
- Check the voltage (12 V).

MEETS SPECIFICATION

This circuit is not faulty.

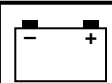
NO CONTINUITY

Replace the bulb and/or bulb socket.



OUT OF SPECIFICATION

The wiring circuit from the main switch to the bulb socket connector is faulty, repair it.



6.Horn does not sound. (for Europe and Oceania)

INCORRECT

1.Horn switch (For Europe and Oceania)
Refer to "CHECKING THE SWITCHES".

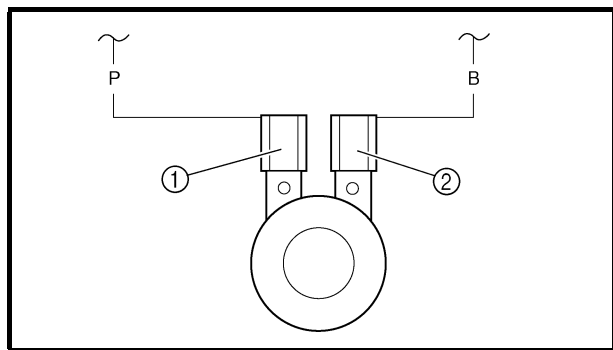
Replace horn switch (For Europe and Oceania).

↓ CORRECT

2.Voltage

- Connect the pocket tester (DC 20 V) to the horn connector at the horn terminal.

Tester (+) lead → Pink lead ①
Tester (-) lead → Black lead ②



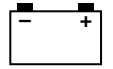
- Turn the main switch to "ON".
- Push the horn switch (For Europe and Oceania).
- Check for voltage (12 V) on the "Pink" lead at the horn terminal.

OUT OF SPECIFICATION

↓ MEETS SPECIFICATION

The wiring circuit from the main switch to the bulb socket connector is faulty, repair it.

Adjust or replace horn.



TROUBLESHOOTING

IF THE FAN MOTOR DOES NOT MOVE:

Procedure

Check:

- 1.Fuse (main)
- 2.Battery
- 3.Main switch
- 4.Fan motor
- 5.Circuit breaker (fan motor)
- 6.Thermo switch (radiator)
- 7.Wiring connection (the entire cooling system)

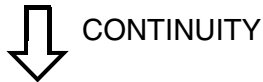
NOTE:

- Remove the following part(s) before troubleshooting.
 - 1)Seat
 - 2)Front carrier
 - 3)Front fender
- Use the following special tool(s) for troubleshooting.

	Pocket tester: P/N. YU-03112-C, 90890-03112
--	---

EB802011

1.Fuse (main)
Refer to "CHECKING THE SWITCHES".



EB802012

2.Battery
<ul style="list-style-type: none"> • Check the battery condition. Refer to "CHECKING THE BATTERY" in CHAPTER 3.
Open-circuit voltage: 12.8 V or more at 20 °C (68 °F)



3.Main switch
Refer to "CHECKING THE SWITCHES".



NO CONTINUITY



Replace the fuse.

INCORRECT

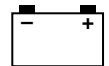


<ul style="list-style-type: none"> • Clean the battery terminals. • Recharge or replace the battery.
--

INCORRECT



Replace the main switch.



4. Fan motor

- Disconnect the fan motor coupler.
- Connect the battery (12 V) as shown.

Battery (+) lead → Blue terminal ①
Battery (-) lead → Black terminal ②

- Check the operation of the fan motor.

DOES NOT TURN



Replace the fan motor.



5. Circuit breaker (fan motor)

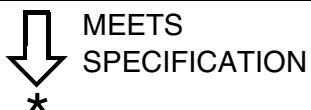
- Remove the circuit breaker from the wire harness.
- Connect the pocket tester ($\Omega \times 1$) to the circuit breaker.

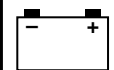
Circuit breaker resistance:
Zero Ω at 20 °C (68 °F)

OUT OF SPECIFICATION



Replace the circuit breaker.





6. Thermo switch (radiator)

- Remove the thermo switch (radiator) from the radiator.
- Connect the pocket tester ($\Omega \times 10$) to the thermo switch (radiator) ①.
- Immerse the thermo switch (radiator) in coolant ②.
- Check the thermo switch (radiator) for continuity. While heating the coolant use a thermometer ③ to record the temperatures.

Test step	Coolant temperature	Continuity
	Thermo switch (radiator)	
1	Less than $86 \pm 3 \text{ }^\circ\text{C}$ ($186.8 \pm 5.4 \text{ }^\circ\text{F}$)	NO
2	More than $86 \pm 3 \text{ }^\circ\text{C}$ ($186.8 \pm 5.4 \text{ }^\circ\text{F}$)	YES
3	More than $80 \pm 3 \text{ }^\circ\text{C}$ ($176 \pm 5.4 \text{ }^\circ\text{F}$)	YES
4	Less than $80 \pm 3 \text{ }^\circ\text{C}$ ($176 \pm 5.4 \text{ }^\circ\text{F}$)	NO

Test steps 1 & 2: Heating phase
Test steps 3 & 4: Cooling phase

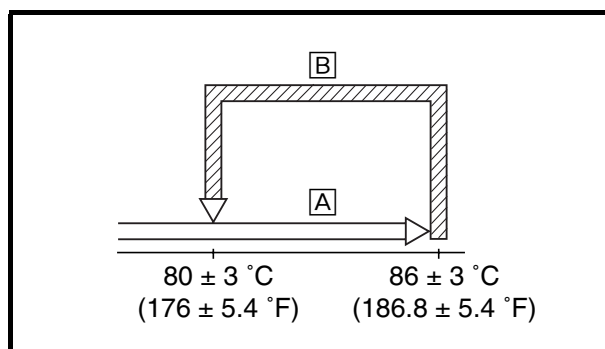
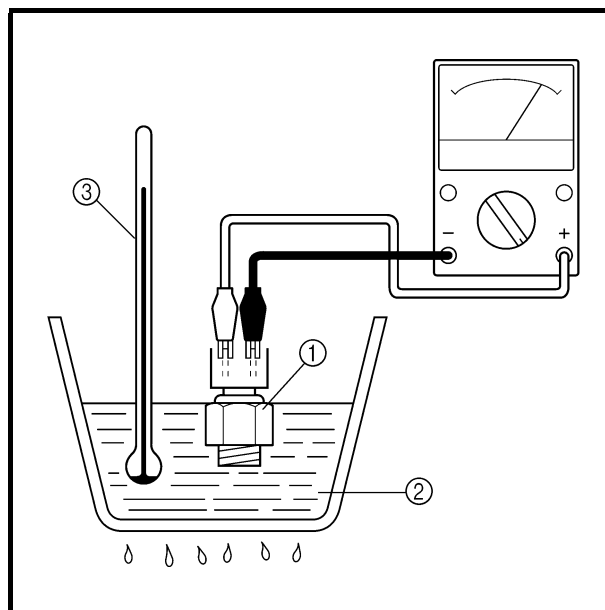
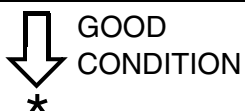
- [A] The thermo switch (radiator) circuit is open and the radiator fan is off.
- [B] The thermo switch (radiator) circuit is closed and the radiator fan is on.

⚠ WARNING

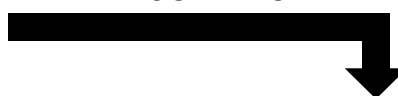
Handle the thermo switch (radiator) with special care. Never subject it to a strong shock or allow it to be dropped. Should it be dropped, it must be replaced.



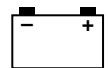
Thermo switch (radiator):
28 Nm (2.8 m • kg, 20 ft • lb)
Three bond sealock® #10



BAD CONDITION



Replace the thermo switch (radiator).



EB803028

7. Wiring connections

- Check the connections of the entire starting system.
Refer to "CIRCUIT DIAGRAM".



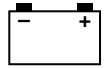
CORRECT

This circuit is not faulty.

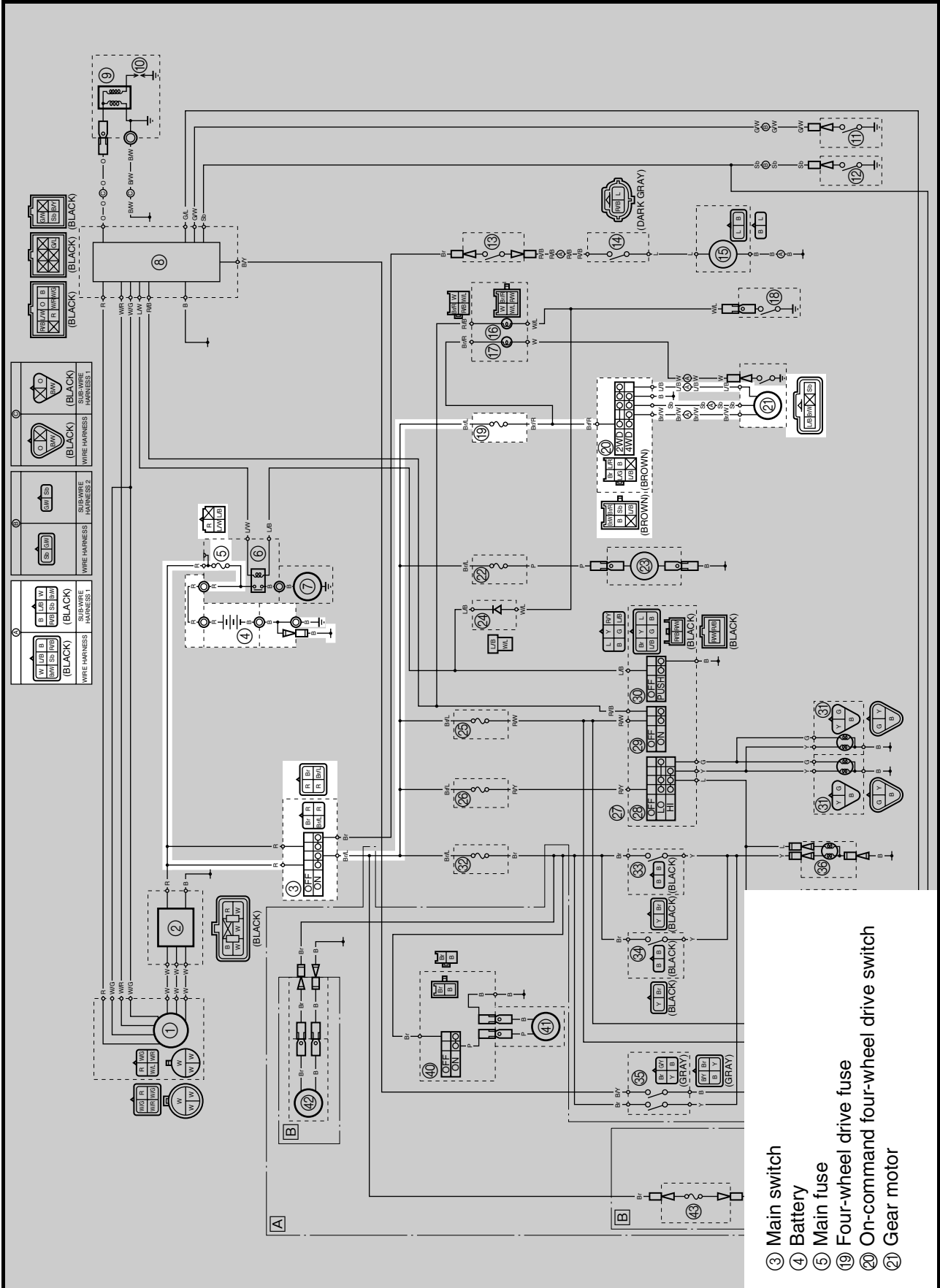
POOR CONNECTION



Properly connect the cooling system.



2WD/4WD SELECTING SYSTEM
CIRCUIT DIAGRAM



- ③ Main switch
- ④ Battery
- ⑤ Main fuse
- ⑱ Four-wheel drive fuse
- ㉑ On-command four-wheel drive switch
- ㉒ Gear motor



EB803020

TROUBLESHOOTING

IF THE GEAR MOTOR FAILS TO OPERATE:

Procedure

Check:

- | | |
|--|--|
| <ul style="list-style-type: none"> 1.Fuses (main, four-wheel drive) 2.Battery 3.Main switch | <ul style="list-style-type: none"> 4.On-command four-wheel drive switch 5.Gear motor 6.Wiring connections
(the entire 2WD/4WD selecting system) |
|--|--|

NOTE:

- Remove the following part(s) before troubleshooting:
 - 1)Seat
 - 2)Front carrier
 - 3)Front fender
- Use the following special tool(s) for troubleshooting.

	Pocket tester: P/N. YU-03112-C, 90890-03112
--	---

EB802011

1.Fuses (main, four-wheel drive)
Refer to "CHECKING THE SWITCHES".

↓ CONTINUITY

NO CONTINUITY



Replace the fuse.

EB802012

2.Battery

- Check the battery condition.
Refer to "CHECKING THE BATTERY" in CHAPTER 3.

Open-circuit voltage:
12.8 V or more at 20 °C (68 °F)

↓ CORRECT

INCORRECT



- Clean the battery terminals.
- Recharge or replace the battery.

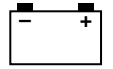
3.Main switch
Refer to "CHECKING THE SWITCHES".

↓ CORRECT
*

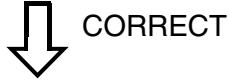
INCORRECT



Replace the main switch.



4. On-command four-wheel drive switch
Refer to "CHECKING THE SWITCHES".



INCORRECT

Replace the on-command four-wheel drive switch.

5. Gear motor

- Check that the shift fork sliding gear is in the 2WD position.
- Disconnect the gear motor coupler.
- Remove the gear motor from the differential gear case.
- Connect the battery (12 V) to the gear motor terminals.

2WD → 4WD:
 Battery (+) terminal → Brown/White terminal ①
 Battery (-) terminal → Sky blue terminal ②

4WD → 2WD:
 Battery (+) terminal → Sky blue terminal ②
 Battery (-) terminal → Blue/Black terminal ③

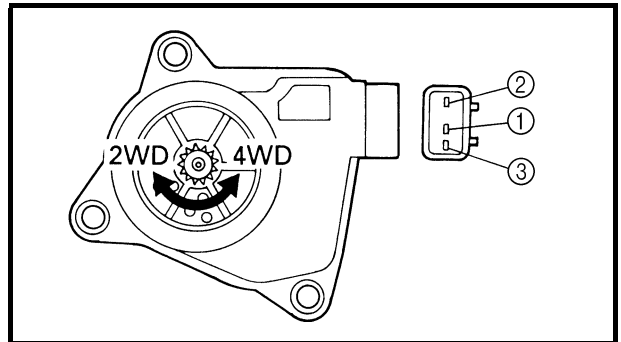
- Make sure that the drive gear (shift fork sliding gear) operates correctly.

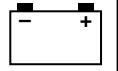
NOTE:
 When installing the differential gear case in the gear motor, refer to "FRONT CONSTANT VELOCITY JOINTS AND DIFFERENTIAL GEAR" in CHAPTER 7.



INCORRECT

Replace the gear motor.





EB803028

6. Wiring connection

- Check the connections of the entire 2WD/4WD selecting system.
Refer to "CIRCUIT DIAGRAM".



CORRECT

Replace the CDI unit.

POOR CONNECTION



Properly connect the 2WD/4WD selecting system.

?

TRBL

SHTG

10

CHAPTER 10. TROUBLESHOOTING

STARTING FAILURE/HARD STARTING	10-1
FUEL SYSTEM	10-1
ELECTRICAL SYSTEM	10-1
COMPRESSION SYSTEM	10-2
POOR IDLE SPEED PERFORMANCE	10-2
POOR IDLE SPEED PERFORMANCE	10-2
POOR MEDIUM AND HIGH-SPEED PERFORMANCE	10-2
POOR MEDIUM AND HIGH-SPEED PERFORMANCE	10-2
FAULTY DRIVE TRAIN	10-3
FAULTY GEAR SHIFTING	10-4
HARD SHIFTING	10-4
SHIFT LEVER DOES NOT MOVE	10-4
JUMPS OUT OF GEAR	10-4
FAULTY CLUTCH PERFORMANCE	10-4
ENGINE OPERATES BUT MACHINE WILL NOT MOVE	10-4
CLUTCH SLIPPING	10-4
POOR STARTING PERFORMANCE	10-4
POOR SPEED PERFORMANCE	10-5
OVERHEATING	10-5
OVERHEATING	10-5
FAULTY BRAKE	10-5
POOR BRAKING EFFECT	10-5
SHOCK ABSORBER MALFUNCTION	10-6
MALFUNCTION	10-6
UNSTABLE HANDLING	10-6
UNSTABLE HANDLING	10-6
LIGHTING SYSTEM	10-6
HEADLIGHT DARK	10-6
BULB BURNT OUT	10-6

TROUBLESHOOTING**NOTE:**

The following troubleshooting does not cover all the possible causes of trouble. It should be helpful, however, as a guide to troubleshooting. Refer to the relative procedure in this manual for checking, adjusting and replacing of parts.

STARTING FAILURE/HARD STARTING**FUEL SYSTEM****Fuel tank**

- Empty
- Clogged fuel filter
- Clogged fuel strainer
- Clogged fuel breather hose
- Deteriorated or contaminated fuel

Fuel cock

- Clogged fuel hose

Carburetor

- Deteriorated or contaminated fuel
- Clogged pilot jet
- Clogged pilot air passage
- Sucked-in air
- Deformed float
- Worn needle valve
- Improperly sealed valve seat
- Improperly adjusted fuel level
- Improperly set pilot jet
- Clogged starter jet
- Starter plunger malfunction

Air filter

- Clogged air filter element

ELECTRICAL SYSTEM**Spark plug**

- Improper plug gap
- Worn electrodes
- Wire between terminals broken
- Improper heat range
- Faulty spark plug cap

Ignition coil

- Broken or shorted primary/secondary
- Faulty spark plug lead
- Broken body

CDI system

- Faulty CDI unit
- Faulty pickup coil
- Faulty charging/rotor rotation direction coil
- Broken woodruff key

Switches and wiring

- Faulty main switch
- Faulty engine stop switch
- Broken or shorted wiring
- Faulty neutral switch
- Faulty reverse switch
- Faulty start switch
- Faulty rear brake switch

Starter motor

- Faulty starter motor
- Faulty starter relay
- Faulty starter clutch

COMPRESSION SYSTEM

Cylinder and cylinder head

- Loose spark plug
- Loose cylinder head or cylinder
- Broken cylinder head gasket
- Broken cylinder gasket
- Worn, damaged or seized cylinder

Piston and piston rings

- Improperly installed piston ring
- Worn, fatigued or broken piston ring
- Seized piston ring
- Seized or damaged piston

Valve, camshaft and crankshaft

- Improperly sealed valve
- Improperly contacted valve and valve seat
- Improper valve timing
- Broken valve spring
- Seized camshaft
- Seized crankshaft

POOR IDLE SPEED PERFORMANCE

POOR IDLE SPEED PERFORMANCE

Carburetor

- Improperly returned starter plunger
- Loose pilot jet
- Clogged pilot jet
- Clogged pilot air jet
- Improperly adjusted idle speed
(Throttle stop screw)
- Improper throttle cable play
- Flooded carburetor

Electrical system

- Faulty spark plug
- Faulty CDI unit
- Faulty pickup coil
- Faulty charging/rotor rotation direction coil
- Faulty ignition coil

Valve train

- Improperly adjusted valve clearance

Air filter

- Clogged air filter element

POOR MEDIUM AND HIGH-SPEED PERFORMANCE

POOR MEDIUM AND HIGH-SPEED PERFORMANCE

Refer to “STARTING FAILURE/HARD STARTING” and “POOR IDLE SPEED PERFORMANCE-VALVE TRAIN”.

Carburetor

- Improper jet needle clip position
- Improperly adjusted fuel level
- Clogged or loose main jet
- Deteriorated or contaminated fuel

Air filter

- Clogged air filter element

FAULTY DRIVE TRAIN

The following conditions may indicate damaged shaft drive components:

Symptoms	Possible Causes
1.A pronounced hesitation or “jerky” movement during acceleration, deceleration, or sustained speed. (This must not be confused with engine surging or transmission characteristics.) 2.A “rolling rumble” noticeable at low speed; a high-pitched whine; a “clunk” from a shaft drive component or area. 3.A locked-up condition of the shaft drive mechanism, no power transmitted from the engine to the front and/or rear wheels.	A.Bearing damage. B.Improper gear lash. C.Gear tooth damage. D.Broken drive shaft. E.Broken gear teeth. F.Seizure due to lack of lubrication. G.Small foreign objects lodged between the moving parts.

NOTE:

Areas A, B, and C above may be extremely difficult to diagnose. The symptoms are quite subtle and difficult to distinguish from normal machine operating noise. If there is reason to believe these components are damaged, remove the components and check them.

FAULTY GEAR SHIFTING

HARD SHIFTING

Refer to "CLUTCH SLIPPING/Dragging-CLUTCH DRAGGING".

SHIFT LEVER DOES NOT MOVE

Shift shaft

- Bent shift shaft

Shift cam, shift fork

- Groove jammed with impurities
- Seized shift fork
- Bent shift fork guide bar

Transmission

- Seized transmission gear
- Jammed impurities
- Incorrectly assembled transmission

Shift guide

- Broken shift guide

JUMPS OUT OF GEAR

Shift shaft

- Improperly adjusted shift lever position
- Worn shift shaft lever
- Improperly returned stopper lever

Shift fork

- Worn shift fork

Shift cam

- Improper thrust play
- Worn shift cam groove

Transmission

- Worn gear dog

FAULTY CLUTCH PERFORMANCE

ENGINE OPERATES BUT MACHINE WILL NOT MOVE

V-belt

- Bent, damaged or worn V-belt
- V-belt slips

Primary pulley cam and primary pulley slider

- Damaged or worn primary pulley cam
- Damaged or worn primary pulley slider

Transmission

- Damaged transmission gears

CLUTCH SLIPPING

Clutch spring

- Damaged, loose or worn clutch shoe spring

Clutch shoe

- Damaged or worn clutch shoe

Primary sliding sheave

- Seized primary sliding sheave

POOR STARTING PERFORMANCE

V-belt

- V-belt slips
- Oil or grease on the V-belt

Primary sliding sheave

- Faulty operation
- Worn pin groove
- Worn pin

Clutch shoe

- Bent, damaged or worn clutch shoe

POOR SPEED PERFORMANCE

V-belt

- Oil or grease on the V-belt

Primary pulley weight

- Faulty operation
- Worn primary pulley weight

Primary fixed sheave

- Worn primary fixed sheave

Primary sliding sheave

- Worn primary sliding sheave

Secondary fixed sheave

- Worn secondary fixed sheave

Secondary sliding sheave

- Worn secondary sliding sheave

OVERHEATING

OVERHEATING

Ignition system

- Improper spark plug gap
- Improper spark plug heat range
- Faulty CDI unit

Fuel system

- Improper carburetor main jet (improper setting)
- Improper fuel level
- Clogged air filter element

Compression system

- Heavy carbon build-up

Engine oil

- Improper oil level
- Improper oil viscosity
- Inferior oil quality

Cooling system

- Low coolant level
- Damaged or leaking radiator
- Faulty radiator cap
- Bent or damaged radiator fin
- Damaged or faulty water pump
- Thermostat stays closed
- Clogged or damaged oil cooler
- Damaged hose
- Improperly connected hose
- Damaged pipe
- Improperly connected pipe

Brake

- Brake drag

Oil cooling system

- Clogged or damaged oil cooler

FAULTY BRAKE

POOR BRAKING EFFECT

- Worn brake pads
- Worn disc
- Air in brake fluid
- Leaking brake fluid
- Faulty master cylinder kit cup
- Faulty caliper kit seal
- Loose union bolt
- Broken brake hose and pipe
- Oily or greasy disc/brake pads
- Improper brake fluid level

SHOCK ABSORBER MALFUNCTION

MALFUNCTION

- Bent or damaged damper rod
- Damaged oil seal lip
- Fatigued shock absorber spring

UNSTABLE HANDLING

UNSTABLE HANDLING

Handlebar

- Improperly installed or bent

Steering

- Incorrect toe-in
- Bent steering stem
- Improperly installed steering stem
- Damaged bearing or bearing race
- Bent tie-rods
- Deformed steering knuckles

Tires

- Uneven tire pressures on both sides
- Incorrect tire pressure
- Uneven tire wear

Wheels

- Deformed wheel
- Loose bearing
- Bent or loose wheel axle
- Excessive wheel runout

Frame

- Bent
- Damaged frame

LIGHTING SYSTEM

HEADLIGHT DARK

- Improper bulb
- Too many electric accessories
- Hard charging (broken charging coil and/or faulty rectifier/regulator)
- Incorrect connection
- Improperly grounded
- Poor contacts (main or light switch)
- Bulb life expired

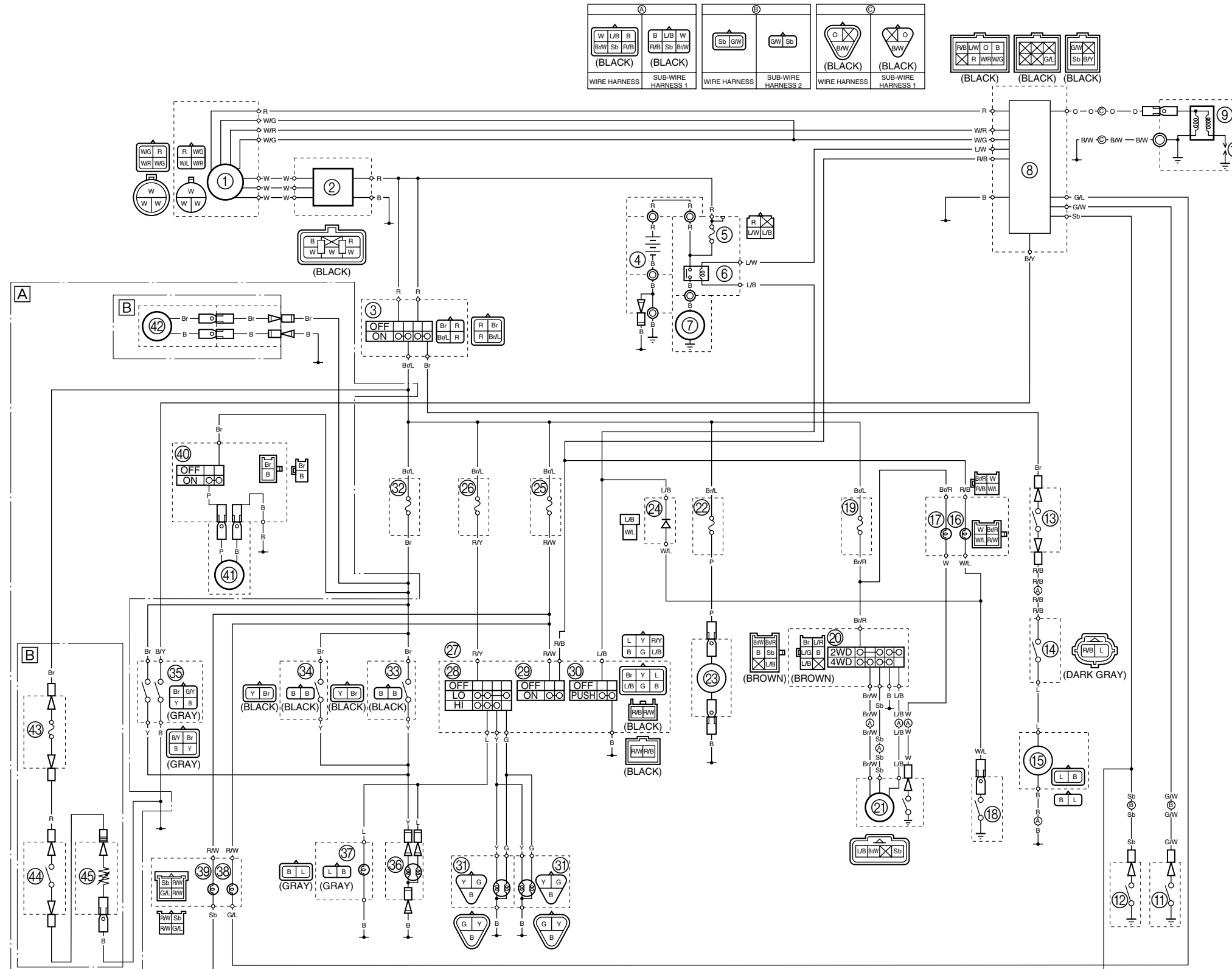
BULB BURNT OUT

- Improper bulb
- Faulty battery
- Faulty rectifier/regulator
- Improperly grounded
- Faulty main and/or light switch
- Bulb life expired



YAMAHA MOTOR CO., LTD.
2500 SHINGAI IWATA SHIZUOKA JAPAN

YFM4FAR/YFM400FAR WIRING DIAGRAM



- ① A.C. magneto
- ② Rectifier/regulator
- ③ Main switch
- ④ Battery
- ⑤ Main fuse
- ⑥ Starter relay
- ⑦ Starter motor
- ⑧ CDI unit
- ⑨ Ignition coil
- ⑩ Spark plug
- ⑪ Reverse switch
- ⑫ Neutral switch
- ⑬ Circuit breaker (fan motor)
- ⑭ Thermo switch (radiator)
- ⑮ Fan motor
- ⑯ Coolant temperature warning light
- ⑰ Four-wheel drive indicator light
- ⑱ Thermo switch (cylinder head)
- ⑲ Four-wheel drive fuse
- ⑳ On-command four-wheel drive switch
- ㉑ Gear motor
- ㉒ Auxiliary DC jack fuse
- ㉓ Auxiliary DC jack
- ㉔ Diode
- ㉕ Ignition fuse
- ㉖ Headlight fuse
- ㉗ Handlebar switch (left)
- ㉘ Light switch
- ㉙ Engine stop switch
- ㉚ Start switch
- ㉛ Headlight
- ㉜ Signaling system fuse
- ㉝ Front brake light switch
- ㉞ Rear brake light switch
- ㉟ Rear brake switch
- ㊱ Tail/brake light
- ㊲ Speedometer light
- ㊳ Reverse indicator light
- ㊴ Neutral indicator light
- ㊵ Horn switch
- ㊶ Horn
- ㊷ Hour meter
- ㊸ Carburetor heater fuse
- ㊹ Thermo switch 3
- ㊺ Carburetor heater

A For Europe and Oceania
B Option

COLOR CODE

B Black	R Red	Br/L Brown/Blue	L/B Blue/Black	R/Y Red/Yellow
Br Brown	Sb Sky blue	Br/R Brown/Red	L/G Blue/Green	W/G White/Green
G Green	W White	Br/W Brown/White	L/R Blue/Red	W/L White/Blue
L Blue	Y Yellow	G/L Green/Blue	L/W Blue/White	W/R White/Red
O Orange	B/Y Black/Yellow	G/W Green/White	R/B Red/Black	
P Pink	B/W Black/White	G/Y Green/Yellow	R/W Red/White	