

PARTS CATALOGUE

XJ600N (4KED) EUROPE

XJ600N (4MB9) EUROPE

XJ600N (4KF9) SWITZERLAND,AUSTRIA

XJ600N
PARTS CATALOGUE
©2001 by Yamaha Motor Co., Ltd.
1st Edition, June 2001
All rights reserved.
Any reprinting or unauthorized use
without the written permission of
Yamaha Motor Co., Ltd.
is expressly prohibited.

A3



A4

FOREWORD

This Parts Catalogue is related to the parts for the model(s) in the below frame. When you are ordering replacement parts, please refer to this Parts Catalogue and quote both part numbers and part names correctly.

XJ600N(4KED/4MB9/4KF9)

1. Modifications or additions which have been made after issue of the Parts Catalogue will be announced in the Yamaha Parts News.
It is advisable that you make necessary corrections to the Parts Catalogue according to the Yamaha Parts News.

2. Abbreviations

The Following abbreviations are used in this Parts Catalogue.

“UR” Use specified parts number.

“UN” Use as many as needed.

“AP” Alternate Parts

“LM” Local Made (Parts need to be ordered locally)

“F#” Frame No. (Applicable machine No.)

3. Parts, which are to be supplied in an assembly, are listed with a dot(.) in front of the part name as shown below.

EXAMPLE

CARBURETOR ASSY

.JET, PILOT

.NOZZLE, MAIN

4. Number of component for assembly

The numeral appearing to the right of each component part indicates the quantity of parts for each assembly unit.

EXAMPLE

PART NO.	DESCRIPTION	Q'TY	REMARKS
2F5-83310-60	FRONT FLASHER LIGHT ASSY	2	
115-83311-60	.BULB (6V-18W)	1	
1M1-83309-60	.REFLECTOR	1	

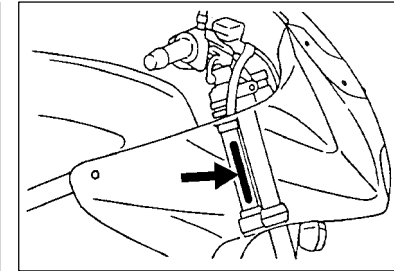
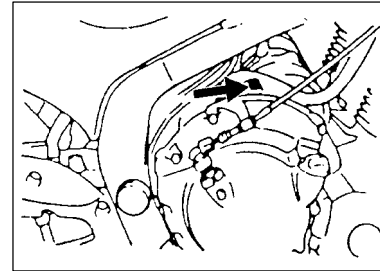
5. Applicable colors of graphics are represented in the “REMARKS” as shown below.

PART NO.	DESCRIPTION	Q'TY	REMARKS
2N4-24110-00-X5	.FUEL TANK COMP.	2	MXR
3J1-24240-10	.GRAPHIC, FUEL TANK	1	for MXR

6. Applicable Serial No.

Engine Serial No.

Frame Serial No.



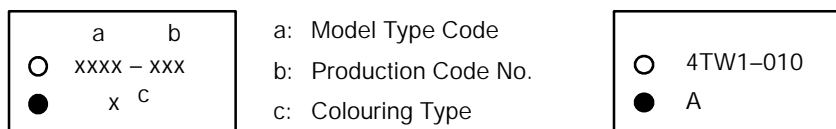
7. Note that the illustrations for reference in finding parts numbers, not to be used for assembling. When assembling, please use the applicable service manual.

8. The asterisk (*) before a reference number indicates modification items after the first edition.

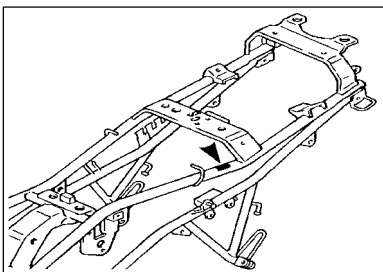
MODEL LABEL

(1) A label called "Model Label" is affixed in the location as indicated in (3) below.
When using this parts catalogue, please be sure to cross-refer the "model code – production code No." in the catalogue to the "model code – production code No." indicated on the Model Label affixed onto the product concerned.

(2) "Model Label" Indication



(3) Model Label Affixing Location



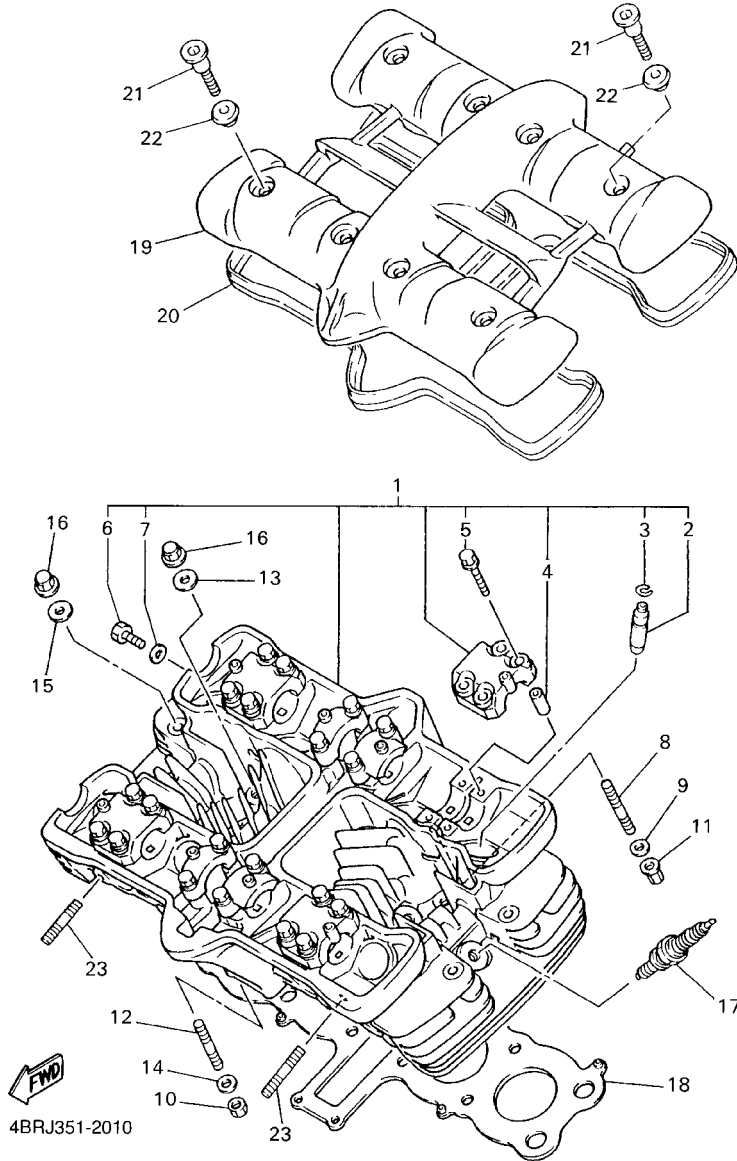
(4) Model Code – Production Code Number of Model Listed in This Parts Catalog

Model Code	Production Code No.	Country (destination)	Model Code	Production Code No.	Country (destination)
4KED	020	BELGIUM	4MB9	050	HOLLAND
	040	DENMARK	4KF9	010	SWITZERLAND
	060	FINLAND		020	AUSTRIA
	070	ENGLAND			
	071	ENGLAND			
	080	GREECE			
	090	IRELAND			
	100	ITALY			
	101	ITALY			
	110	HOLLAND			
	111	HOLLAND			
	120	NORWAY			
	130	PORTUGAL			
	140	SWEDEN			
4MB9	040	ENGLAND			

(5) Colouring Information

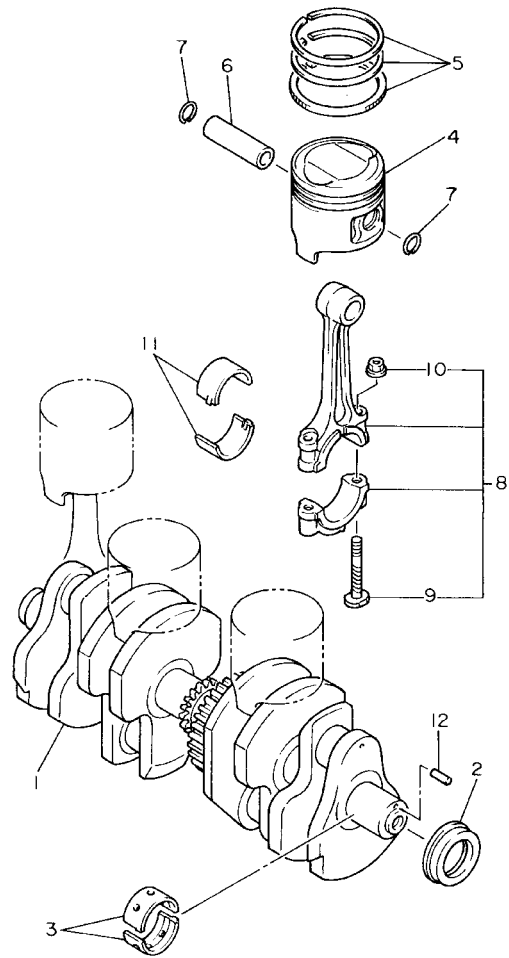
Colouring type code	Colour code	Colour Name	Abbreviation
A	0580	VIVID RED COCKTAIL 7	VRC7
B	0660	SILVER METALLIC 1	SM1

FIG. 1 CYLINDER HEAD



REF. NO.	PART NO.	DESCRIPTION	4KED	4MB9	4KF9	REMARKS
1	4BR-11101-10	CYLINDER HEAD ASSY	1	1	1	
2	4BR-11133-10	.GUIDE, INTAKE VALVE	8	8	8	
3	93440-09141	.CIRCLIP	8	8	8	
4	99510-08016	.PIN, DOWEL	12	12	12	
5	90105-06153	.BOLT, FLANGE	24	24	24	
6	90153-06029	.SCREW, HEXAGON	1	1	1	
7	90430-06014	.GASKET	1	1	1	
8	95617-06618	BOLT, STUD	2	2	2	
9	92907-06200	WASHER	2	2	2	
10	95317-06600	NUT	2	2	2	
11	90179-06500	NUT	2	2	2	
12	95617-06630	BOLT, STUD	2	2	2	
13	90201-08366	WASHER, PLATE	10	10	10	
14	92907-06200	WASHER	2	2	2	
15	90201-08609	WASHER, PLATE	2	2	2	
16	90176-08080	NUT, CROWN	12	12	12	
17	94701-00330	PLUG, SPARK (NGK CR8E)	4	4	4	UR
	94701-00329	PLUG, SPARK (U24ESR-N)	4	4	4	UR
18	4BR-11181-00	GASKET, CYLINDER HEAD 1	1	1	1	
19	4DU-11191-00	COVER, CYLINDER HEAD 1	1	1	1	
20	4BR-11193-10	GASKET, HEAD COVER 1	1	1	1	
21	90109-066F0	BOLT	8	8	8	
22	4KG-1111G-00	RUBBER, MOUNT 1	8	8	8	
23	90116-08360	BOLT, STUD	8	8	8	

FIG. 3 CRANKSHAFT. PISTON

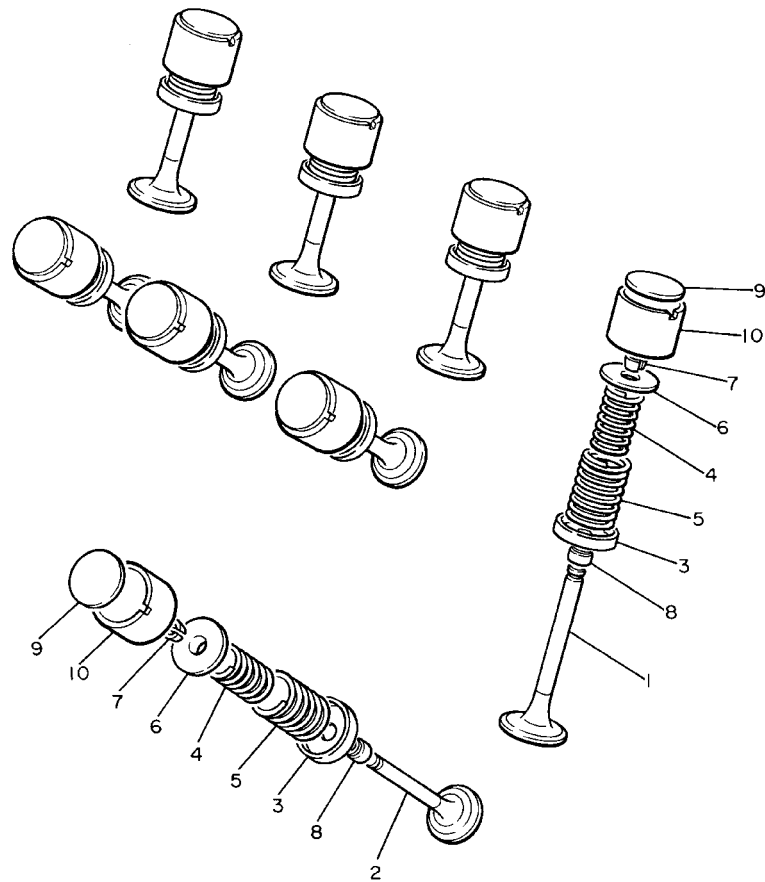


REF. NO.	PART NO.	DESCRIPTION	4KED	4MB9	4KF9	REMARKS
1	4BR-11411-00	CRANKSHAFT	1	1	1	
2	93101-32088	OIL SEAL	1	1	1	
3	4BR-11416-00	PLANE BEARING, CRANKSHAFT 1	10	10	10	UR BLUE
	4BR-11416-10	PLANE BEARING, CRANKSHAFT 1	10	10	10	UR BLACK
	4BR-11416-20	PLANE BEARING, CRANKSHAFT 1	10	10	10	UR BROWN
	4BR-11416-30	PLANE BEARING, CRANKSHAFT 1	10	10	10	UR GREEN
	4BR-11416-40	PLANE BEARING, CRANKSHAFT 1	10	10	10	UR YELLOW
4	4BR-11631-00-A0	PISTON (STD)	4	4	4	
	4BR-11636-00	PISTON (0.50MM O/S)	4	4	4	AP
	4BR-11638-00	PISTON (1.00MM O/S)	4	4	4	AP
5	4BR-11610-01	PISTON RING SET (STD)	4	4	4	
	4BR-11610-21	PISTON RING SET (0.50MM O/S)	4	4	4	AP
	4BR-11610-41	PISTON RING SET (1.00MM O/S)	4	4	4	AP
6	49A-11633-00	PIN, PISTON	4	4	4	
7	93450-16068	CIRCLIP	8	8	8	
8	4BR-11650-00	CONNECTING ROD ASSY	4	4	4	
9	4H7-11654-00	.BOLT, CONNECTING ROD	2	2	2	
10	90179-07307	.NUT	2	2	2	
11	49A-11656-00	PLANE BEARING, CONNECTING ROD	8	8	8	UR BLUE
	49A-11656-10	PLANE BEARING, CONNECTING ROD	8	8	8	UR BLACK
	49A-11656-20	PLANE BEARING, CONNECTING ROD	8	8	8	UR BROWN
	49A-11656-30	PLANE BEARING, CONNECTING ROD	8	8	8	UR GREEN
12	93604-10011	PIN, DOWEL	1	1	1	



4BP010-1030

FIG. 4 VALVE

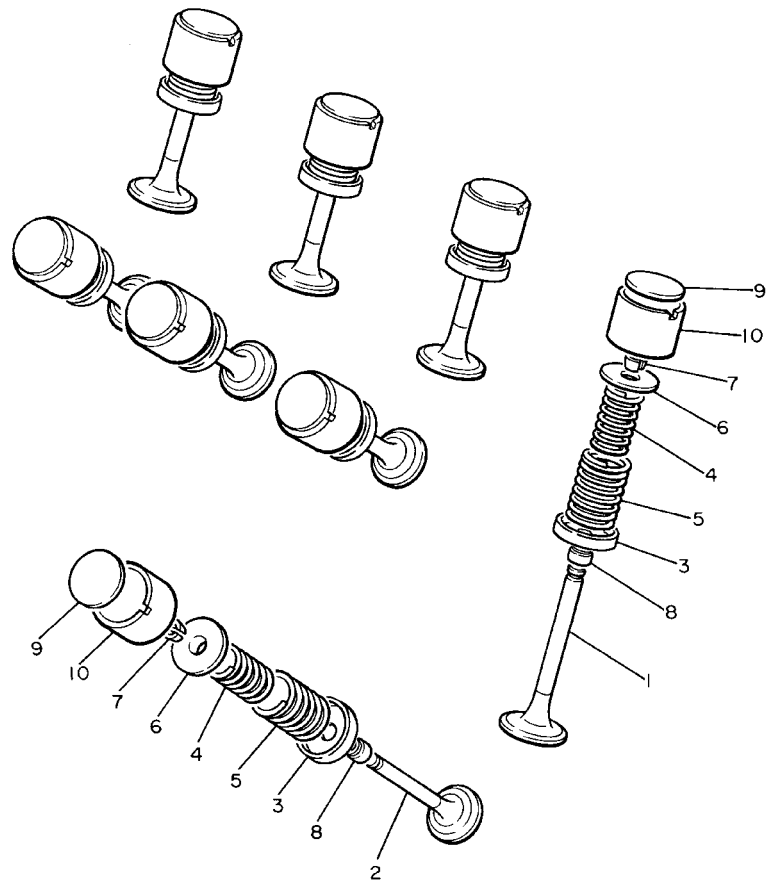


REF. NO.	PART NO.	DESCRIPTION	4KED	4MB9	4KF9	REMARKS
1	4BR-12111-00	VALVE, INTAKE	4	4	4	
2	4BR-12121-00	VALVE, EXHAUST	4	4	4	
3	4BR-12116-00	SEAT, VALVE SPRING	8	8	8	
4	4BR-12113-00	SPRING, VALVE INNER	8	8	8	
5	4BR-12114-00	SPRING, VALVE OUTER	8	8	8	
6	33M-12117-00	RETAINER, VALVE SPRING	8	8	8	
7	1AA-12118-00	COTTER, VALVE	16	16	16	
8	33M-12119-00	SEAL, VALVE STEM	8	8	8	
9	26H-12168-00	PAD, ADJUSTING (2.00)	8	8	8	UR
	26H-12168-20	PAD, ADJUSTING (2.05)	8	8	8	UR
	26H-12168-40	PAD, ADJUSTING (2.10)	8	8	8	UR
	26H-12168-60	PAD, ADJUSTING (2.15)	8	8	8	UR
	26H-12168-80	PAD, ADJUSTING (2.20)	8	8	8	UR
	26H-12168-A0	PAD, ADJUSTING (2.25)	8	8	8	UR
	26H-12168-F0	PAD, ADJUSTING (2.30)	8	8	8	UR
	26H-12168-H0	PAD, ADJUSTING (2.35)	8	8	8	UR
	26H-12168-K0	PAD, ADJUSTING (2.40)	8	8	8	UR
	26H-12168-M0	PAD, ADJUSTING (2.45)	8	8	8	UR
	26H-12168-R0	PAD, ADJUSTING (2.50)	8	8	8	UR
	26H-12168-U0	PAD, ADJUSTING (2.55)	8	8	8	UR
	26H-12168-W0	PAD, ADJUSTING (2.60)	8	8	8	UR
	26H-12168-Y0	PAD, ADJUSTING (2.65)	8	8	8	UR
	26H-12169-10	PAD, ADJUSTING (2.70)	8	8	8	UR
	26H-12169-30	PAD, ADJUSTING (2.75)	8	8	8	UR
	26H-12169-50	PAD, ADJUSTING (2.80)	8	8	8	UR
	26H-12169-70	PAD, ADJUSTING (2.85)	8	8	8	UR
	26H-12169-90	PAD, ADJUSTING (2.90)	8	8	8	UR



4BP010-1040

FIG. 4 VALVE

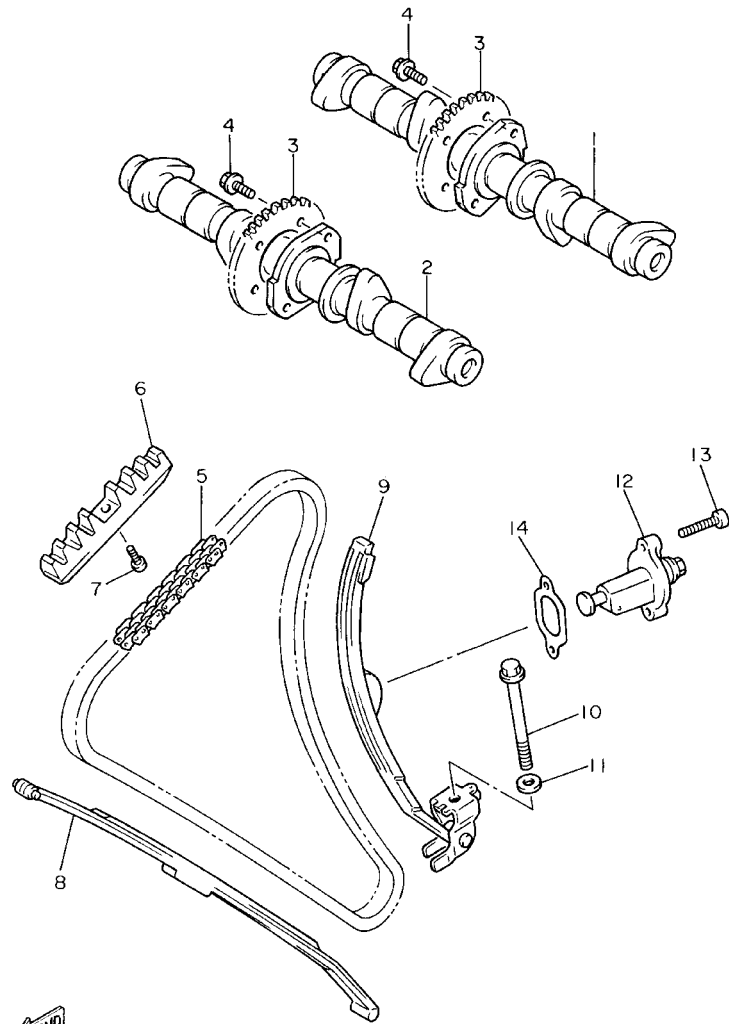


REF. NO.	PART NO.	DESCRIPTION	4KED	4MB9	4KF9	REMARKS
9	26H-12169-E0	PAD, ADJUSTING (2.95)	8	8	8	UR
	26H-12169-G0	PAD, ADJUSTING (3.00)	8	8	8	UR
	26H-12169-J0	PAD, ADJUSTING (3.05)	8	8	8	UR
	26H-12169-L0	PAD, ADJUSTING (3.10)	8	8	8	UR
	26H-12169-N0	PAD, ADJUSTING (3.15)	8	8	8	UR
	26H-12169-T0	PAD, ADJUSTING (3.20)	8	8	8	UR
10	26H-12153-00-Y0	LIFTER, VALVE	8	8	8	UR
	26H-12153-00-J0	LIFTER, VALVE(O/S)	8	8	8	UR



4BP010-1040

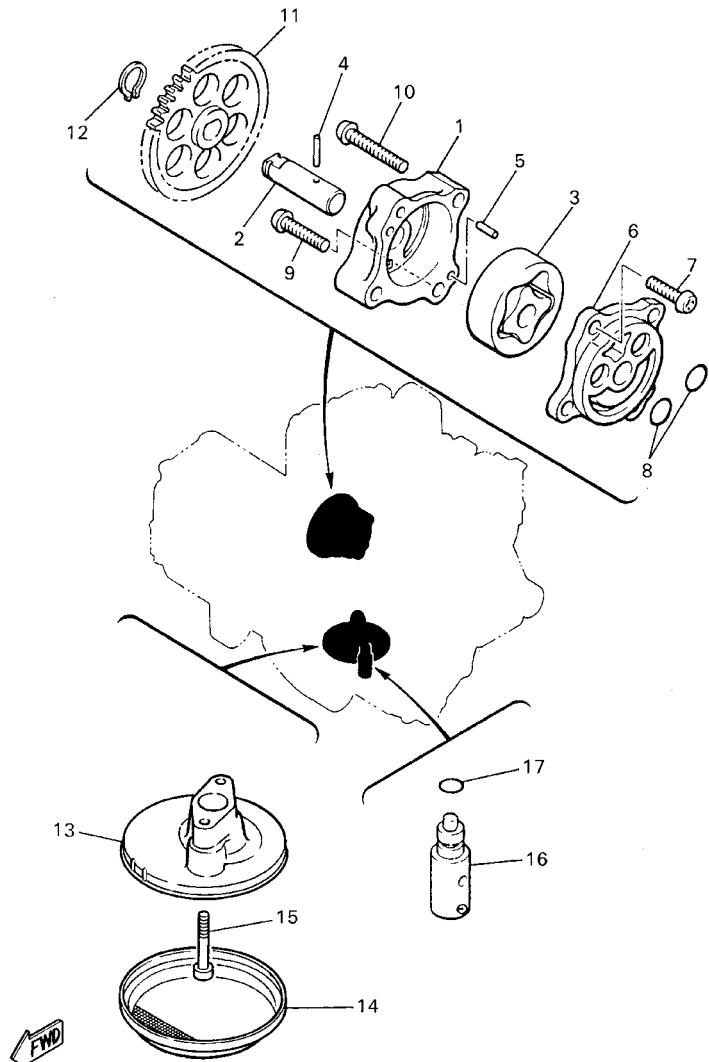
FIG. 5 CAMSHAFT. CHAIN



4BP010-1050

REF. NO.	PART NO.	DESCRIPTION	4KED	4MB9	4KF9	REMARKS
1	4BR-12171-00	CAMSHAFT 1	1	1	1	
2	4BR-12181-00	CAMSHAFT 2	1	1	1	
3	4BR-12176-00	SPROCKET, CAM CHAIN	2	2	2	
4	90105-07342	BOLT, FLANGE	4	4	4	
5	94890-04144	CHAIN	1	1	1	
6	4BR-12241-00	GUIDE, STOPPER 2	1	1	1	
7	98907-06010	SCREW, BIND	1	1	1	
8	4BR-12251-00	DAMPER, CHAIN 1	1	1	1	
9	4BR-12252-00	DAMPER, CHAIN 2	1	1	1	
10	95827-08075	BOLT, FLANGE	1	1	1	
11	90201-080L8	WASHER, PLATE	1	1	1	
12	4BR-12210-00	TENSIONER ASSY, CAM CHAIN	1	1	1	
13	91317-06025	BOLT	2	2	2	
14	4BR-12213-00	GASKET, TENSIONER CASE	1	1	1	

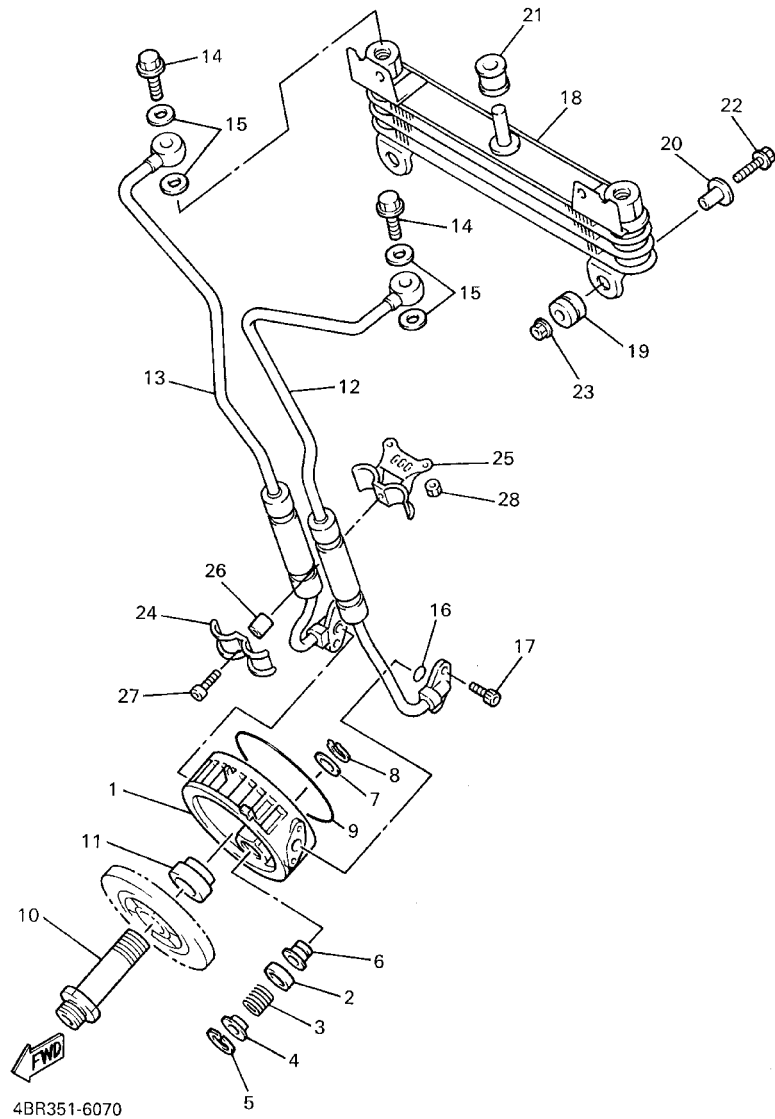
FIG. 6 OIL PUMP



4BR351-6060

REF. NO.	PART NO.	DESCRIPTION	4KED	4MB9	4KF9	REMARKS
1	33M-13336-00	HOUSING, ROTOR	1	1	1	
2	33M-13314-01	SHAFT, PUMP	1	1	1	
3	4H7-13310-00	ROTOR ASSY 1	1	1	1	
4	93603-17070	PIN, DOWEL	1	1	1	
5	93603-07073	PIN, DOWEL	2	2	2	
6	4G0-13316-00	COVER, PUMP	1	1	1	
7	98507-06016	SCREW, PAN HEAD	1	1	1	
8	93210-13361	O-RING	2	2	2	
9	98507-06025	SCREW, PAN HEAD	1	1	1	
10	98507-06035	SCREW, PAN HEAD	2	2	2	
11	4EB-13325-00	GEAR, PUMP DRIVEN	1	1	1	
12	99009-11400	CIRCLIP	1	1	1	
13	4BR-13412-00	HOUSING, STRAINER	1	1	1	
14	4H7-13411-02	STRAINER, OIL	1	1	1	
15	91317-06030	BOLT	2	2	2	
16	4G0-13490-01	RELIEF VALVE ASSY	1	1	1	
17	93210-10096	O-RING	1	1	1	

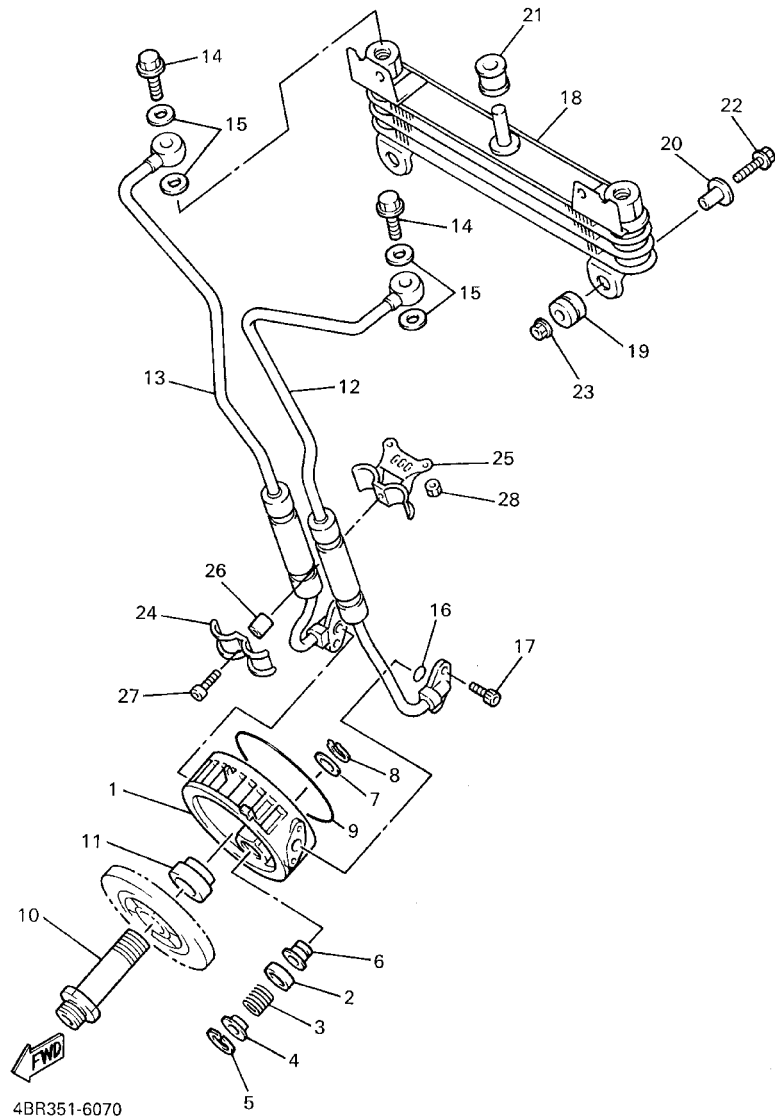
FIG. 7 OIL COOLER



4BR351-6070

REF. NO.	PART NO.	DESCRIPTION	4KED	4MB9	4KF9	REMARKS
1	4KM-13461-00	PLATE, ADAPTOR	1	1	1	
2	4KM-13493-00	PLUNGER	1	1	1	
3	90501-12413	SPRING, COMPRESSION	1	1	1	
4	90209-06339	WASHER	1	1	1	
5	99009-17500	CIRCLIP	1	1	1	
6	4KM-13479-00	SEAT, VALVE	1	1	1	
7	90201-113K2	WASHER, PLATE	1	1	1	
8	99009-11400	CIRCLIP	1	1	1	
9	93210-87723	O-RING	1	1	1	
10	90401-20162	BOLT, UNION	1	1	1	
11	90387-2005R	COLLAR	1	1	1	
12	4EB-13464-01	HOSE, OIL 1	1	1	1	
13	4EB-13465-01	HOSE, OIL 2	1	1	1	
14	90401-12122	BOLT, UNION	2	2	2	
15	90430-12202	GASKET	4	4	4	
16	93210-100A9	O-RING	2	2	2	
17	91317-06016	BOLT	4	4	4	
18	4EB-13470-00	OIL COOLER ASSY	1	1	1	
19	90480-12475	GROMMET	2	2	2	
20	90387-067K8	COLLAR	2	2	2	
21	90480-16284	GROMMET	1	1	1	
22	95827-06025	BOLT, FLANGE	2	2	2	
23	95707-06500	NUT, FLANGE	2	2	2	
24	90462-10066	CLAMP	1	1	1	
25	90462-12140	CLAMP	1	1	1	
26	90387-07038	COLLAR	1	1	1	
27	91317-06025	BOLT	1	1	1	

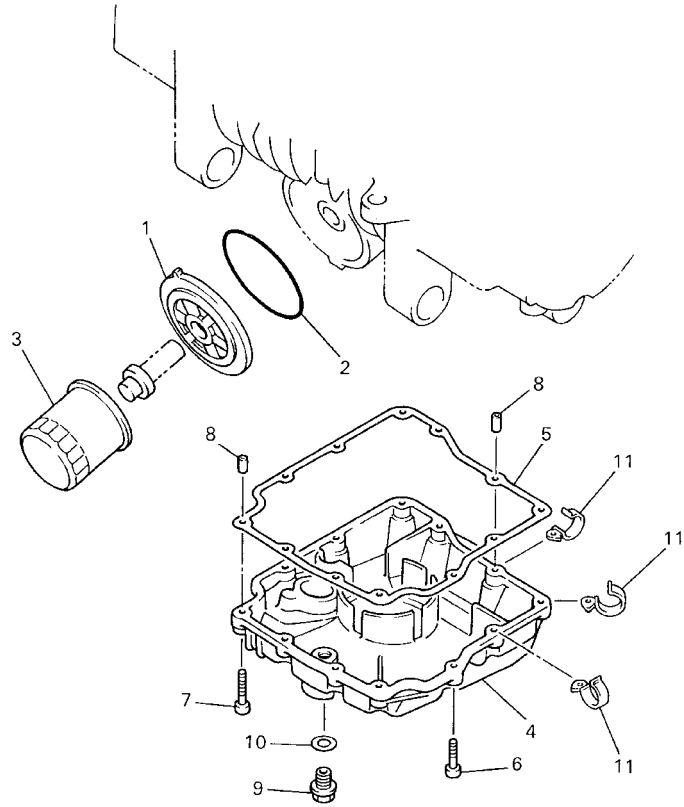
FIG. 7 OIL COOLER



REF. NO.	PART NO.	DESCRIPTION	4KED	4MB9	4KF9	REMARKS
28	95317-06600	NUT	2	2	2	

FIG. 8 OIL CLEANER

REF. NO.	PART NO.	DESCRIPTION	4KED	4MB9	4KF9	REMARKS
1	3TJ-13461-00	PLATE, ADAPTOR	1	1	1	
2	93210-87723	O-RING	1	1	1	
3	3FV-13440-10	ELEMENT ASSY, OIL CLEANER	1	1	1	
4	4BR-13417-00	COVER, STRAINER	1	1	1	
5	4BR-13414-00	GASKET, STRAINER COVER	1	1	1	
6	91317-06030	BOLT	10	10	10	
7	91317-06040	BOLT	2	2	2	
8	99530-08016	PIN, DOWEL	2	2	2	
9	90340-14132	PLUG, STRAIGHT SCREW	1	1	1	
10	214-11198-01	GASKET	1	1	1	
11	90462-08078	CLAMP	3	3	3	



4BR351-6080

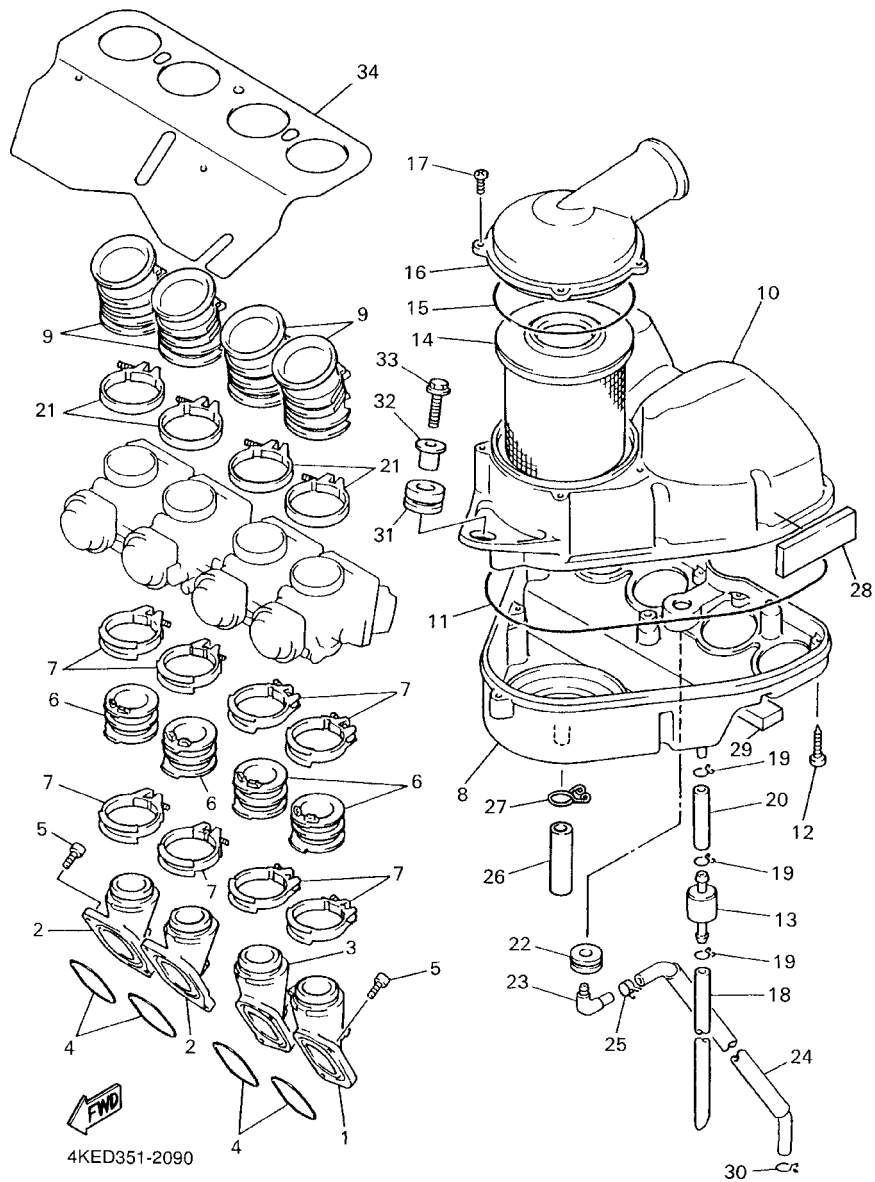


FIG. 9 INTAKE

REF. NO.	PART NO.	DESCRIPTION	4KED	4MB9	4KF9	REMARKS
1	4EB-13586-00	JOINT, CARBURETOR 1	1	1	1	
2	4EB-13596-00	JOINT, CARBURETOR 2	2	2	2	
3	4EB-13597-00	JOINT, CARBURETOR 3	1	1	1	
4	93210-37532	O-RING	4	4	4	
5	91317-06020	BOLT	8	8	8	
6	4BR-13598-10	JOINT, CARBURETOR 4	4	4	4	
7	4BR-13575-00	BAND	8	8	8	
8	4BR-14411-00	CASE, AIR CLEANER 1	1	1	1	
9	4EB-14453-00	JOINT, AIR CLEANER 1	4	4	4	
10	4BR-14421-00	CASE, AIR CLEANER 2	1	1	1	
11	4BR-14452-00	SEAL	1	1	1	
12	97707-50130	SCREW, TAPPING	10	10	10	
13	4X7-2149Y-00	FILTER ASSY	1	1	1	
14	4BR-14451-00	ELEMENT, AIR CLEANER	1	1	1	
15	1AE-14452-00	SEAL	1	1	1	
16	4BR-14412-01	CAP, CLEANER CASE 1	1	1	1	
17	97707-50130	SCREW, TAPPING	4	4	4	
18	90445-11152	HOSE (L270)	1	1	1	
19	90467-10041	CLIP	3	3	3	
20	90445-11699	HOSE (L500)	1	1	1	
21	90460-54085	CLAMP, HOSE	4	4	4	
22	31A-14435-00	GROMMET	1	1	1	
23	31A-14419-00	PIPE	1	1	1	
24	4BR-11166-10	PIPE, BREATHER 1	1	1	1	
25	90467-15054	CLIP	1	1	1	
26	90446-15233	HOSE	1	1	1	
27	90467-15012	CLIP	1	1	1	

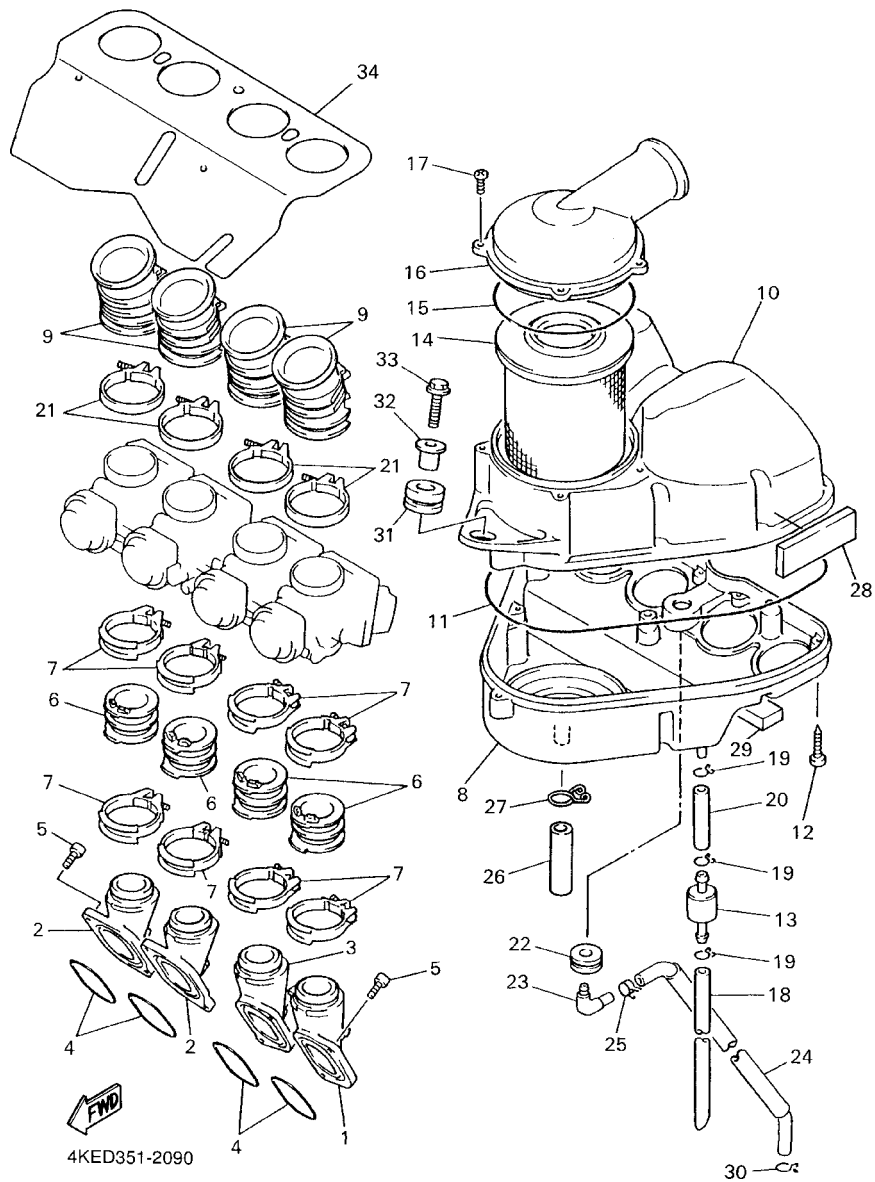
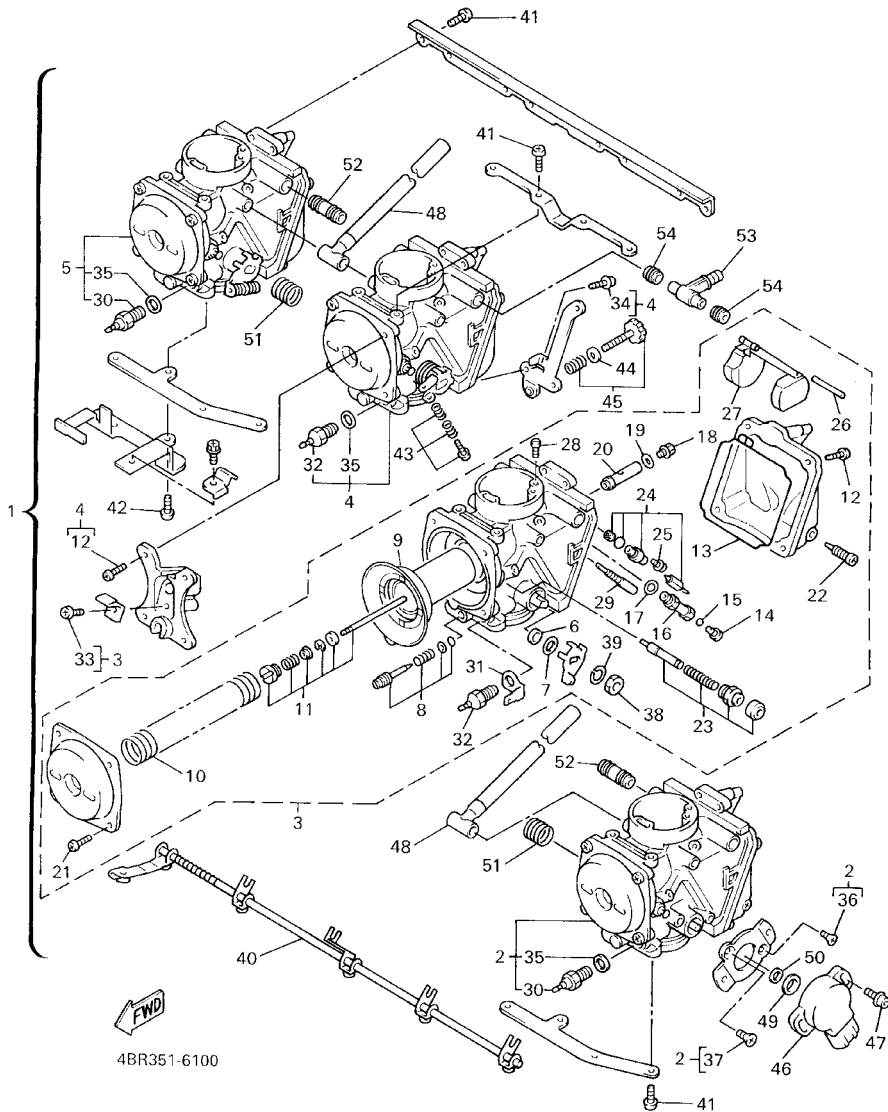


FIG. 9 INTAKE

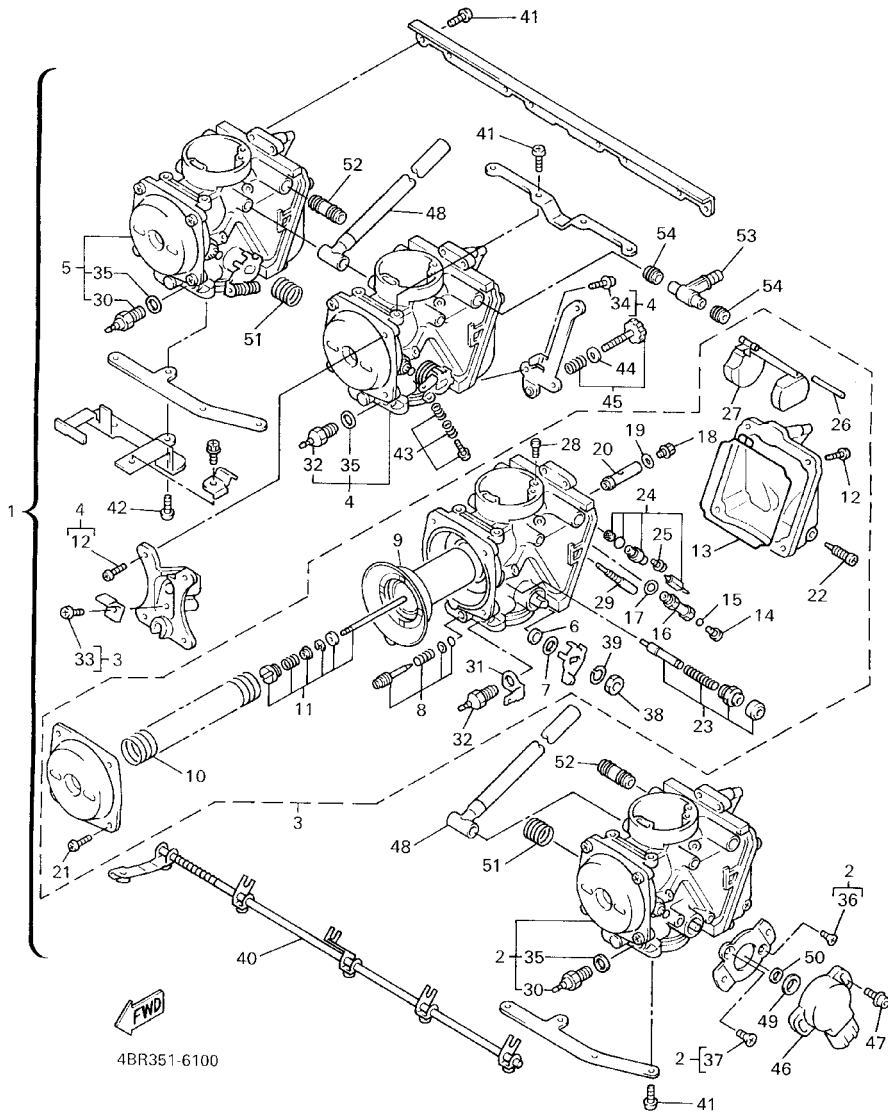
REF. NO.	PART NO.	DESCRIPTION	4KED	4MB9	4KF9	REMARKS
28	4KA-14425-00	DAMPER 1	2	2	2	
29	4KE-14426-00	DAMPER 2	1	1	1	
30	90467-14015	CLIP	1	1	1	
31	90480-14023	GROMMET	1	1	1	
32	90387-060M9	COLLAR	1	1	1	
33	95817-06030	BOLT, FLANGE	1	1	1	
34	4BR-12682-02	PROTECTOR, HEAT	1	1	1	

FIG. 10 CARBURETOR



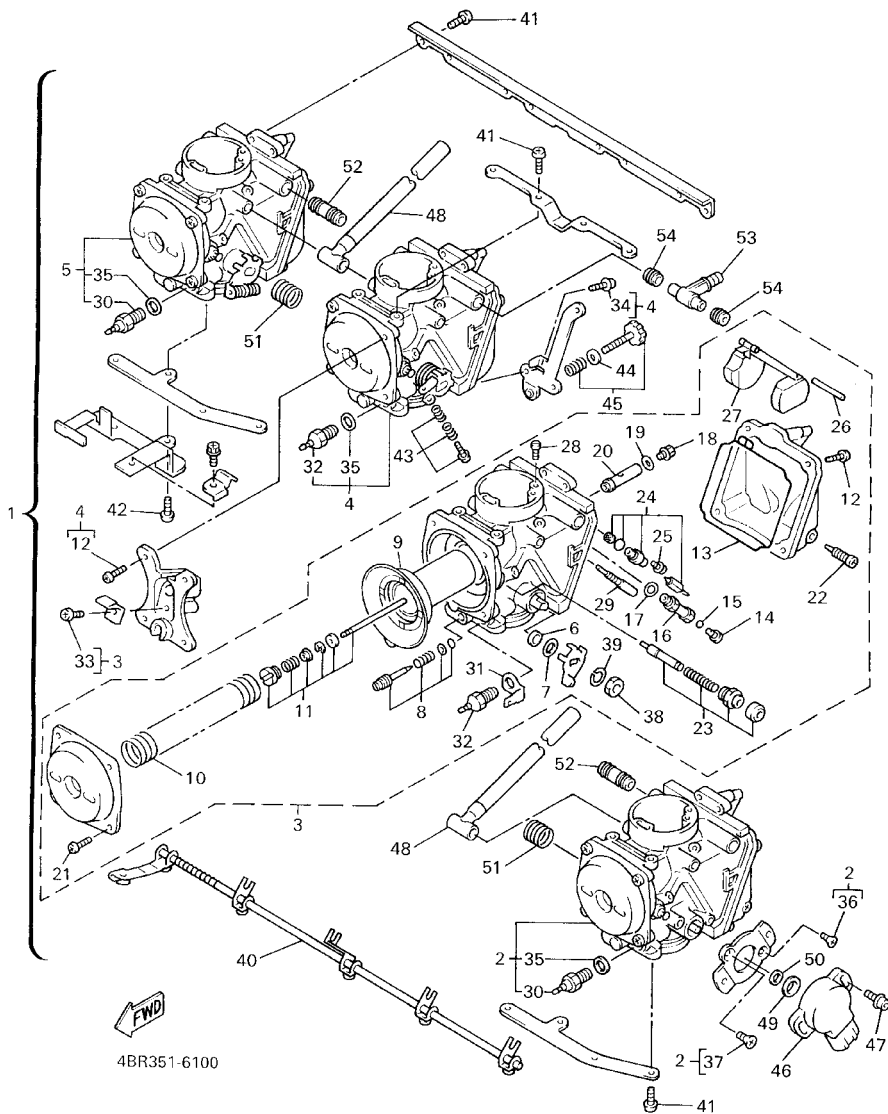
REF. NO.	PART NO.	DESCRIPTION	4KED	4MB9	4KF9	REMARKS
1	4BR-14900-22	CARBURETOR ASSY	1			
	4DS-14900-21	CARBURETOR ASSY		1		
	4DG-14900-21	CARBURETOR ASSY			1	
2	4BR-14901-22	.CARBURETOR ASSY 1	1			
	4DS-14901-21	.CARBURETOR ASSY 1		1		
	4DG-14901-21	.CARBURETOR ASSY 1			1	
3	4BR-14902-22	.CARBURETOR ASSY 2	1			
	4DS-14902-21	.CARBURETOR ASSY 2		1		
	4DG-14902-21	.CARBURETOR ASSY 2			1	
4	4BR-14903-22	.CARBURETOR ASSY 3	1			
	4DS-14903-21	.CARBURETOR ASSY 3		1		
	4DG-14903-21	.CARBURETOR ASSY 3			1	
5	4BR-14904-22	.CARBURETOR ASSY 4	1			
	4DS-14904-21	.CARBURETOR ASSY 4		1		
	4DG-14904-21	.CARBURETOR ASSY 4			1	
6	256-14997-00	..SEAL	1	1	1	UR #4
	256-14997-00	..SEAL	2	2	2	UR #1,2,3
7	1A8-14953-00	..WASHER	1	1	1	
8	12R-14105-00	..PILOT SCREW SET	1	1	1	
9	4BR-14940-00	..DIAPHRAGM ASSY	1			
	4DS-14940-00	..DIAPHRAGM ASSY		1		
	4DG-14940-10	..DIAPHRAGM ASSY			1	
10	1HX-14933-00	..SPRING, DIAPHRAGM	1	1	1	
	4DS-14933-00	..SPRING, DIAPHRAGM		1		
11	4DS-1490J-00	..NEEDLE SET	1	1		
	4DG-1490J-10	..NEEDLE SET			1	
12	98501-04014	..SCREW, PAN HEAD	4	4	4	UR #1,2,4

FIG. 10 CARBURETOR



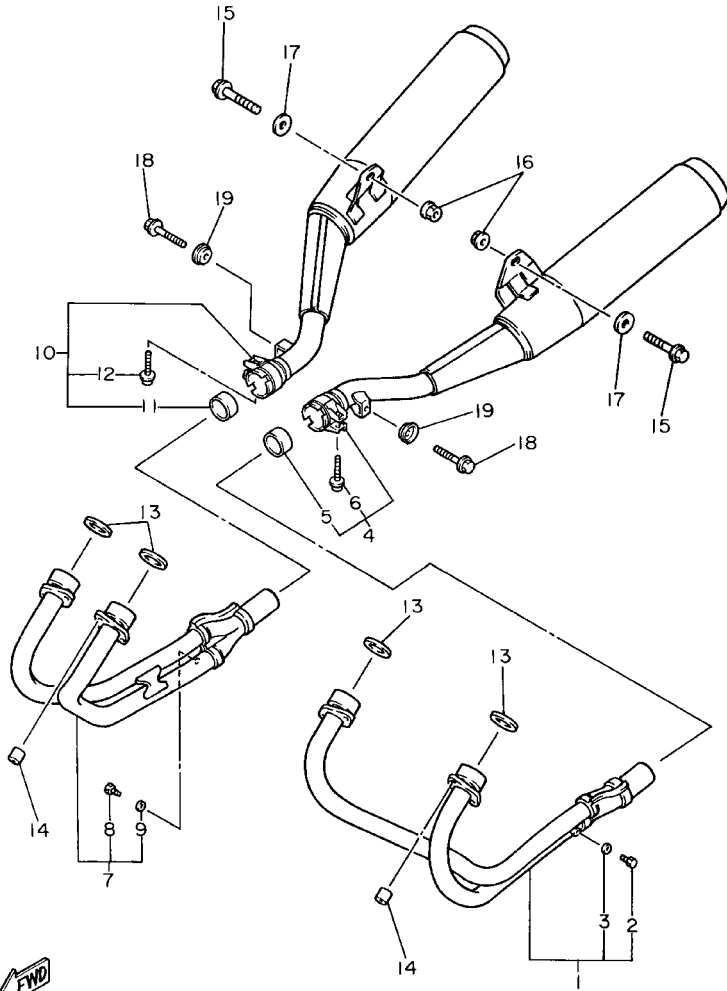
REF. NO.	PART NO.	DESCRIPTION	4KED	4MB9	4KF9	REMARKS
12	98501-04014	..SCREW, PAN HEAD	5	5	5	UR #3
13	1HX-14147-00	..O-RING	1	1	1	
14	620-14231-20	..JET, MAIN (#100)	1	1	1	
15	1AE-14227-00	..O-RING	1	1	1	
16	1AE-14261-00	..HOLDER	1	1	1	
17	1AE-14237-00	..GASKET	1	1	1	
18	1HX-14565-00	..SCREW	1	1	1	
19	137-14153-00	..WASHER, MAIN JET	1	1	1	
20	3DM-14141-30	..MAIN NOZZLE(0-0)	1	1	1	
21	98501-04008	..SCREW, PAN HEAD	2	2	2	UR #2,3
	98501-04008	..SCREW, PAN HEAD	4	4	4	UR #1,4
22	12R-14191-00	..PLUG, DRAIN	1	1	1	
23	4DU-1410A-00	..STARTER SET	1	1	1	
24	3CF-14107-10	..NEEDLE VALVE SET	1	1	1	
25	1FN-14565-00	..SCREW	1	1	1	
26	353-14186-00	..PIN, FLOAT	1	1	1	
27	1HX-14985-00	..FLOAT	1	1	1	
28	1HX-14231-28	..JET, MAIN (#140)	1			
	1HX-14231-27	..JET, MAIN (#135)		1		
	1HX-14231-26	..JET, MAIN (#130)			1	
29	22F-14142-17	..JET, PILOT (# 17.5)	1			
	22F-14142-15	..JET, PILOT (# 15)		1		
	22F-14142-12	..JET, PILOT (#12.5)			1	
30	4EB-83790-00	..HEATER ASSY	1	1	1	
31	4DH-82103-00	..TERMINAL 1	1	1	1	
32	3AB-83790-00	..HEATER ASSY	1	1	1	
33	98502-05008	..SCREW, PAN HEAD	1	1	1	

FIG. 10 CARBURETOR



REF. NO.	PART NO.	DESCRIPTION	4KED	4MB9	4KF9	REMARKS
34	4DU-14125-00	..SCREW	1	1	1	UR #3
	4DU-14125-00	..SCREW	2	2	2	UR #2
35	90201-080S8	..WASHER, PLATE	1	1	1	
36	98706-03008	..SCREW, FLAT HEAD	1	1	1	
37	98706-05010	..SCREW, FLAT HEAD	1	1	1	
38	812-14594-00	..NUT	1	1	1	
39	92902-08100	..WASHER, SPRING	1	1	1	
40	4BR-1490L-00	..STARTER LEVER SET, 1	1	1	1	
41	98502-05010	..SCREW, PAN HEAD	18	18	18	
42	98502-05012	..SCREW, PAN HEAD	2	2	2	
43	3KW-1490K-00	..STOP SCREW SET	3	3	3	
44	22F-14117-00	..WASHER, PLUG SCREW	1	1	1	
45	1HX-14103-00	..THROTTLE SCREW SET	1	1	1	
46	4HD-85885-00	..THROTTLE SENSOR ASSY	1	1	1	
47	4HM-14216-00	..SCREW	2	2	2	
48	4BR-14987-10	..HOSE	2	2	2	
49	4HM-14239-00	..SEAL	1	1	1	
50	4KG-14285-00	..WASHER	1	1	1	
51	1HX-14131-00	..SPRING, THROTTLE VALVE	2	2	2	
52	4BR-14389-00	..NIPPLE ASSY	2	2	2	
53	3LN-14251-00	..NIPPLE	1	1	1	
54	3EN-14997-00	..SEAL	2	2	2	

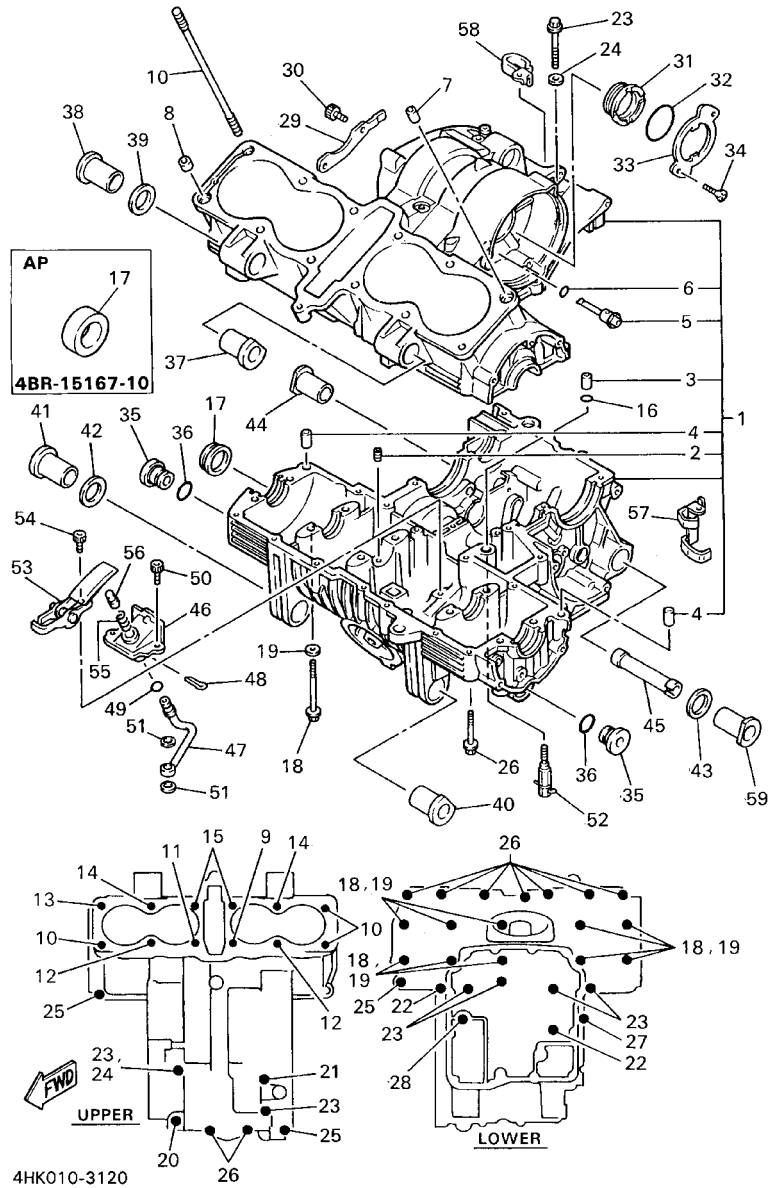
FIG. 11 EXHAUST



4BP010-1110

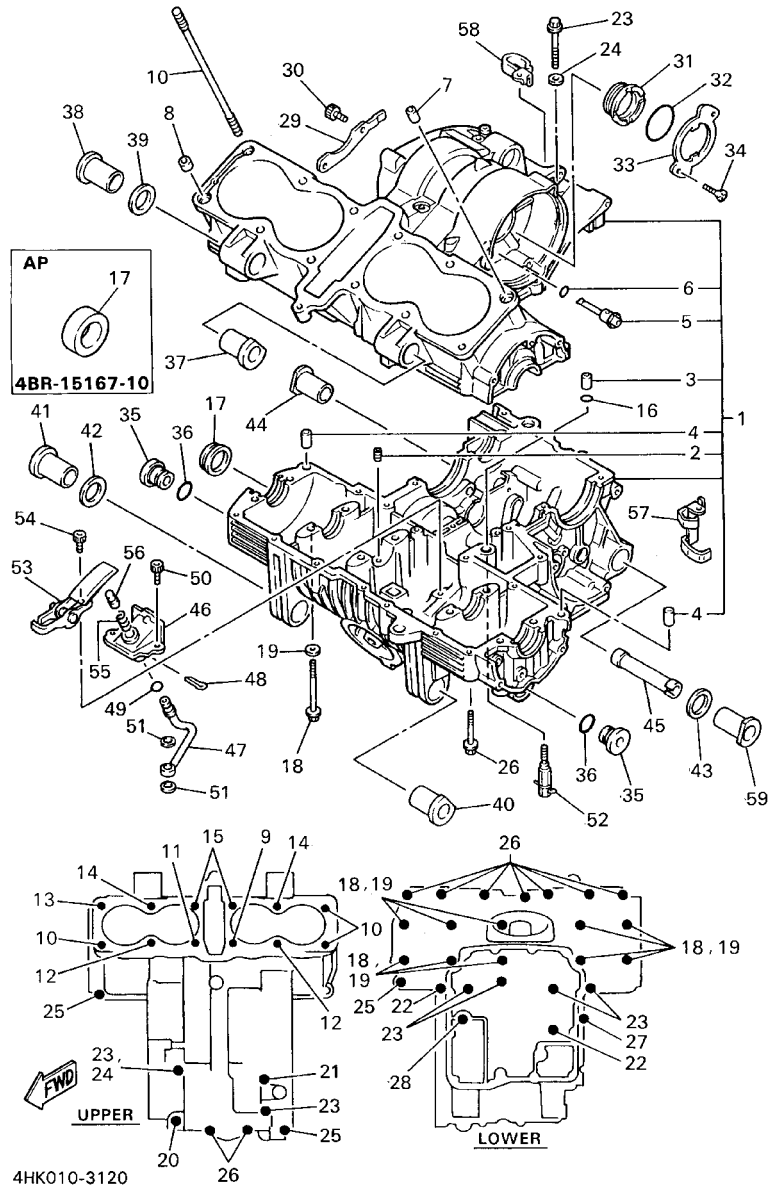
REF. NO.	PART NO.	DESCRIPTION	4KED	4MB9	4KF9	REMARKS
1	4BR-14610-02	EXHAUST PIPE ASSY 1	1	1	1	
2	90101-06576	.BOLT	2	2	2	
3	92990-06600	.WASHER, PLATE	2	2	2	
4	4EB-14710-02	MUFFLER ASSY 1	1	1	1	
5	3VD-14755-00	.GASKET, SILENCER	1	1	1	
6	95024-08030	.BOLT, FLANGE	1	1	1	
7	4BR-14620-02	EXHAUST PIPE ASSY 2	1	1	1	
8	90101-06576	.BOLT	2	2	2	
9	92990-06600	.WASHER, PLATE	2	2	2	
10	4EB-14720-02	MUFFLER ASSY 2	1	1	1	
11	3VD-14755-00	.GASKET, SILENCER	1	1	1	
12	95024-08030	.BOLT, FLANGE	1	1	1	
13	4BR-14613-00	GASKET, EXHAUST PIPE	4	4	4	
14	90179-08673	NUT	8	8	8	
15	95814-10040	BOLT, FLANGE	2	2	2	
16	95707-10500	NUT, FLANGE	2	2	2	
17	90201-10669	WASHER, PLATE	2	2	2	
18	95804-08035	BOLT, FLANGE	2	2	2	
19	90209-08249	WASHER	2	2	2	

FIG. 12 CRANKCASE



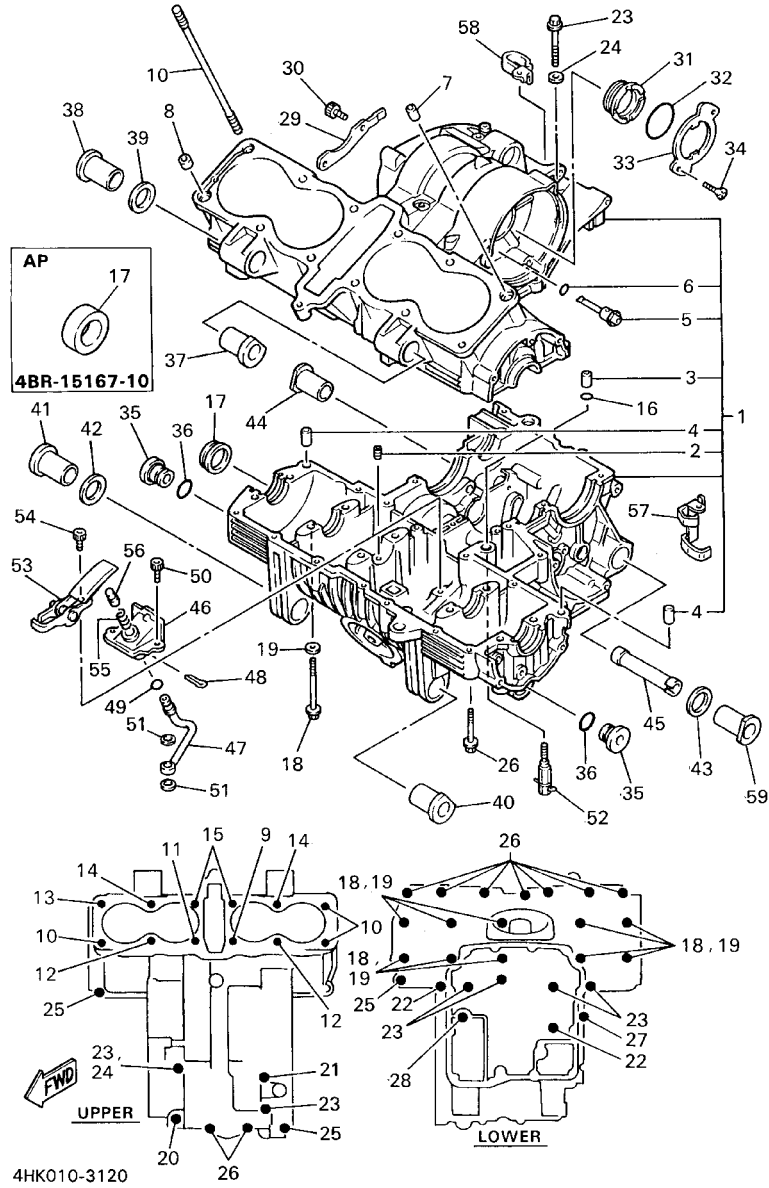
REF. NO.	PART NO.	DESCRIPTION	4KED	4MB9	4KF9	REMARKS
1	4BR-15100-01	CRANKCASE ASSY	1	1	1	
2	4G0-15138-00	.NOZZLE 1	1	1	1	
3	99530-10014	.PIN, DOWEL	1	1	1	
4	99530-12016	.PIN, DOWEL	2	2	2	
5	4BR-15148-00	.NOZZLE 2	1	1	1	
6	93210-11453	.O-RING	1	1	1	
7	99530-14016	PIN, DOWEL	1	1	1	
8	90387-16547	COLLAR	1	1	1	
9	90116-08338	BOLT, STUD	1	1	1	
10	90116-08566	BOLT, STUD	3	3	3	
11	90116-08339	BOLT, STUD	1	1	1	
12	90116-08340	BOLT, STUD	2	2	2	
13	4BR-11363-00	BOLT, CYLINDER HOLDING 3	1	1	1	
14	4G0-11364-00	BOLT, CYLINDER HOLDING 4	2	2	2	
15	4G0-11363-00	BOLT, CYLINDER HOLDING 3	2	2	2	
16	93210-09729	O-RING	1	1	1	
17	90338-48229	PLUG	1	1	1	UR
	4BR-15167-10	PLUG, BLIND 1	1	1	1	AP
18	95814-08100	BOLT, FLANGE	10	10	10	
19	90201-08366	WASHER, PLATE	10	10	10	
20	95817-08080	BOLT, FLANGE	1	1	1	
21	95817-06135	BOLT, FLANGE	1	1	1	
22	95817-06095	BOLT, FLANGE	2	2	2	
23	95817-06065	BOLT, FLANGE	6	6	6	
24	90430-06166	GASKET	1	1	1	
25	95814-06055	BOLT, FLANGE	3	3	3	
26	95814-06045	BOLT, FLANGE	9	9	9	

FIG. 12 CRANKCASE



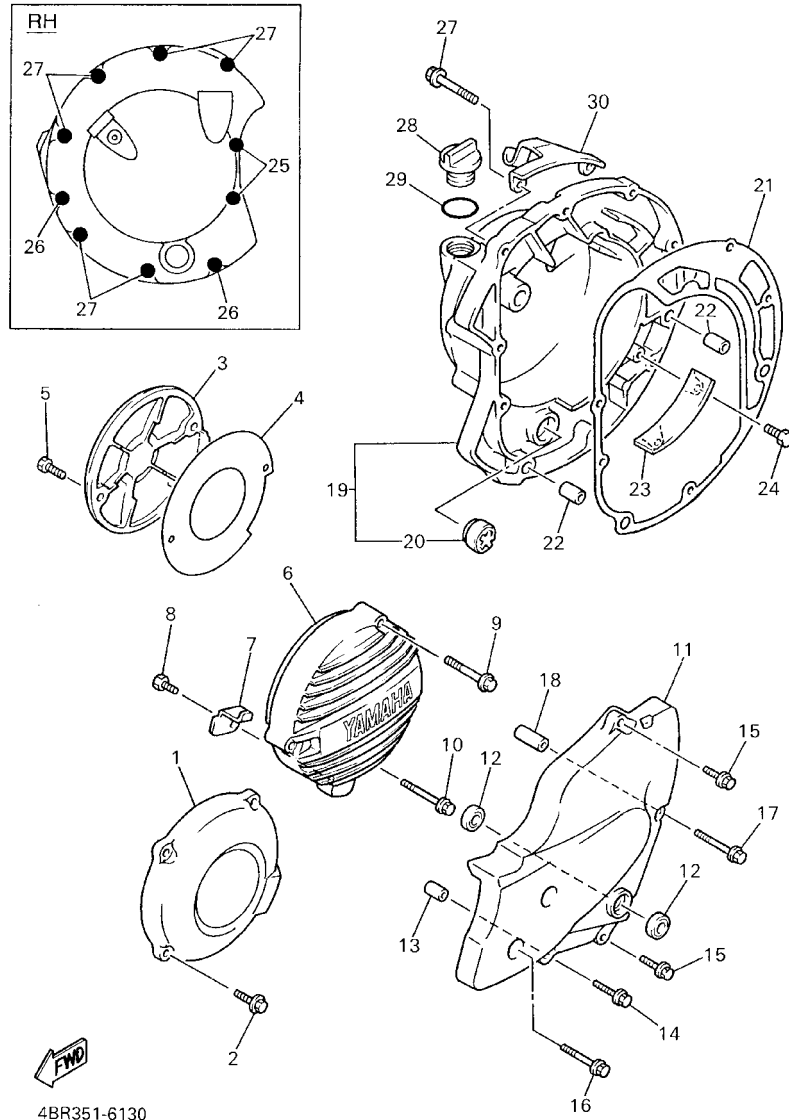
REF. NO.	PART NO.	DESCRIPTION	4KED	4MB9	4KF9	REMARKS
27	95817-06040	BOLT, FLANGE	1	1	1	
28	95817-06035	BOLT, FLANGE	1	1	1	
29	4BR-15381-00	PLATE, BEARING COVER	1	1	1	
30	91317-06016	BOLT	2	2	2	
31	4G0-15163-01	HOUSING, BEARING 1	1	1	1	
32	93210-45578	O-RING	1	1	1	
33	4G0-15383-00	PLATE, BEARING COVER	1	1	1	
34	90151-06014	SCREW, COUNTERSUNK	2	2	2	
35	3KM-15189-00	PLUG	2	2	2	
36	93210-207A0	O-RING	2	2	2	
37	4G0-15336-00	DAMPER, ENGINE MOUNT 3	1	1	1	
38	33M-15336-00	DAMPER, ENGINE MOUNT 3	1	1	1	
39	90202-15153	WASHER, PLATE	1	1	1	
40	4G0-15316-00	DAMPER, ENGINE MOUNT 1	1	1	1	
41	33M-15337-00	DAMPER 4	1	1	1	
42	90202-15153	WASHER, PLATE	1	1	1	
43	90202-17211	WASHER, PLATE	1	1	1	
44	4G0-15326-00	DAMPER, ENGINE MOUNT 2	1	1	1	
45	4BR-15327-00	SPACER, ENGINE MOUNT	1	1	1	
46	4G0-11592-00	TENSIONER, CHAIN	1	1	1	
47	4G0-13171-00	PIPE, DELIVERY 2	1	1	1	
48	91401-25020	PIN, COTTER	1	1	1	
49	93210-07540	O-RING	1	1	1	
50	90110-06043	BOLT, HEXAGON SOCKET HEAD	2	2	2	
51	90430-10027	GASKET	2	2	2	
52	4G0-11575-00	RELIEF VALVE ASSY	1	1	1	
53	4BR-11492-00	TENSIONER ARM COMP.	1	1	1	

FIG. 12 CRANKCASE



REF. NO.	PART NO.	DESCRIPTION	4KED	4MB9	4KF9	REMARKS
54	90110-06043	BOLT, HEXAGON SOCKET HEAD	2	2	2	
55	90501-143A8	SPRING, COMPRESSION	1	1	1	
56	46X-11597-00	PLUNGER, TENSIONER	1	1	1	
57	90462-08087	CLAMP	1	1	1	
58	90465-10290	CLAMP	1	1	1	
59	90387-125Y2	COLLAR	1	1	1	
<hr/>						
<hr/>						
<hr/>						
<hr/>						
<hr/>						
<hr/>						
<hr/>						
<hr/>						
<hr/>						
<hr/>						

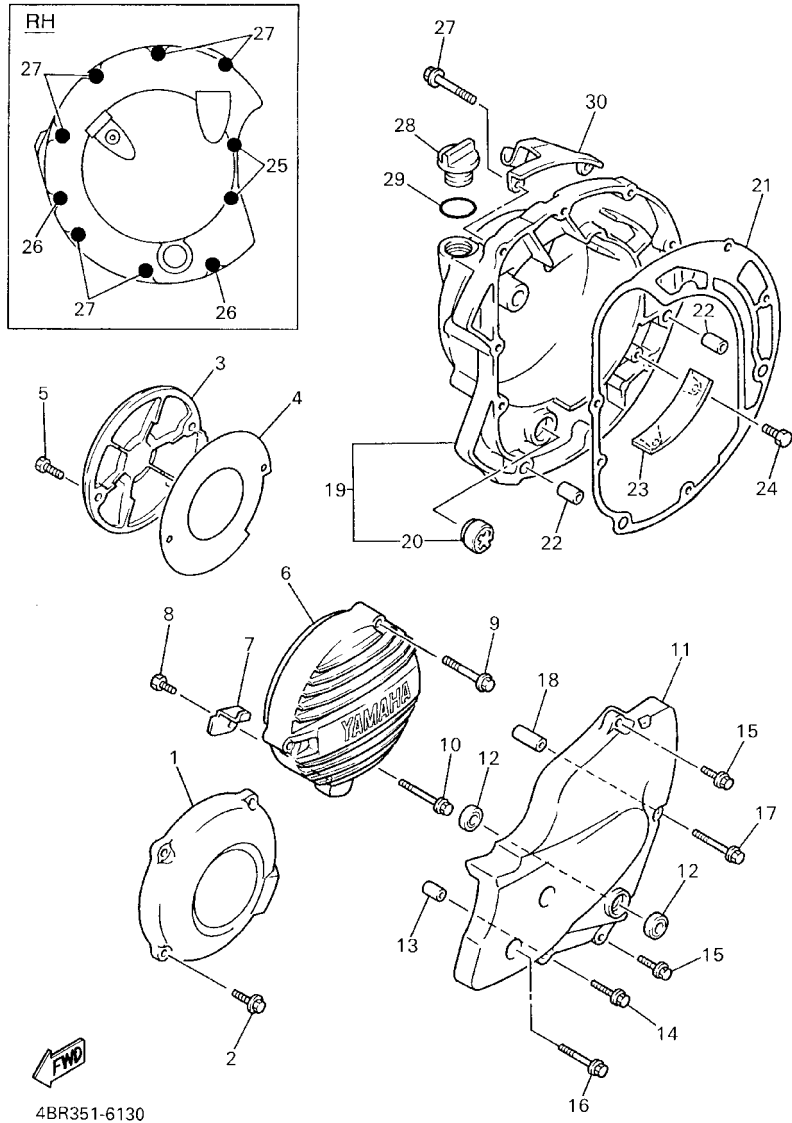
FIG. 13 CRANKCASE COVER 1



4BR351-6130

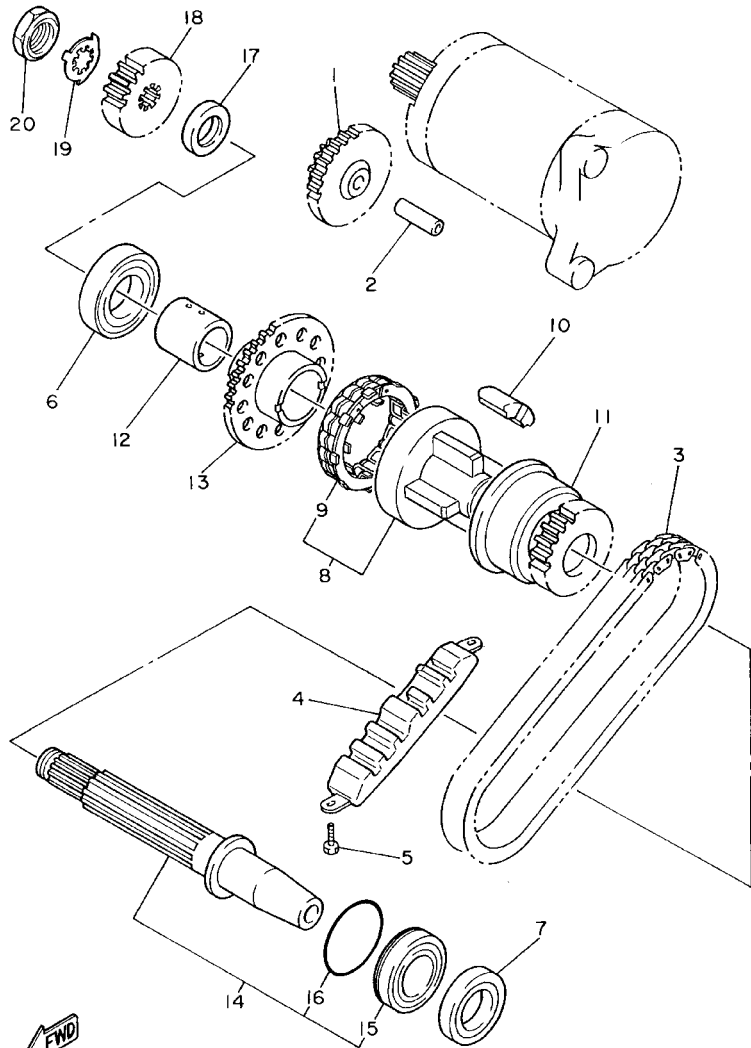
REF. NO.	PART NO.	DESCRIPTION	4KED	4MB9	4KF9	REMARKS
1	4BR-15410-00	CRANKCASE COVER ASSY 1	1	1	1	
2	90105-06790	BOLT, FLANGE	4	4	4	
3	4BR-15420-10	CRANKCASE COVER ASSY 2	1	1	1	
4	4BR-15463-00	GASKET, CARBURETOR COVER 2	1	1	1	
5	90111-06010	BOLT	2	2	2	
6	4EB-15415-01	COVER, GENERATOR	1	1	1	
7	4BR-15484-00	CLAMP 2	1	1	1	
8	91317-06010	BOLT	1	1	1	
9	95024-06065	BOLT, FLANGE	2	2	2	
10	90105-06793	BOLT, FLANGE	1	1	1	
11	4BR-15411-01	COVER, CRANKCASE 1	1	1	1	
12	93109-12075	OIL SEAL	2	2	2	
13	99530-10114	PIN, DOWEL	2	2	2	
14	95024-06035	BOLT, FLANGE	1	1	1	
15	95024-06030	BOLT, FLANGE	2	2	2	
16	95024-06055	BOLT, FLANGE	2	2	2	
17	95024-06065	BOLT, FLANGE	1	1	1	
18	90387-064Y1	COLLAR	1	1	1	
19	4BR-W1543-00	CRANKCASE COVER ASSY 2	1	1	1	
20	3Y1-15361-00	.GAUGE, LEVEL	1	1	1	
21	4BR-15461-00	GASKET, CRANKCASE COVER 2	1	1	1	
22	99530-10114	PIN, DOWEL	2	2	2	
23	49A-15412-00	PLATE, OIL GUIDE	1	1	1	
24	97027-06012	BOLT	2	2	2	
25	90105-06794	BOLT, FLANGE	2	2	2	
26	90105-06792	BOLT, FLANGE	2	2	2	
27	90105-06791	BOLT, FLANGE	6	6	6	

FIG. 13 CRANKCASE COVER 1



REF. NO.	PART NO.	DESCRIPTION	4KED	4MB9	4KF9	REMARKS
28	3F9-15362-00	PLUG, OIL LEVEL	1	1	1	
29	93210-27370	O-RING	1	1	1	
30	4BR-15441-00	HOLDER, CLUTCH CABLE	1	1	1	

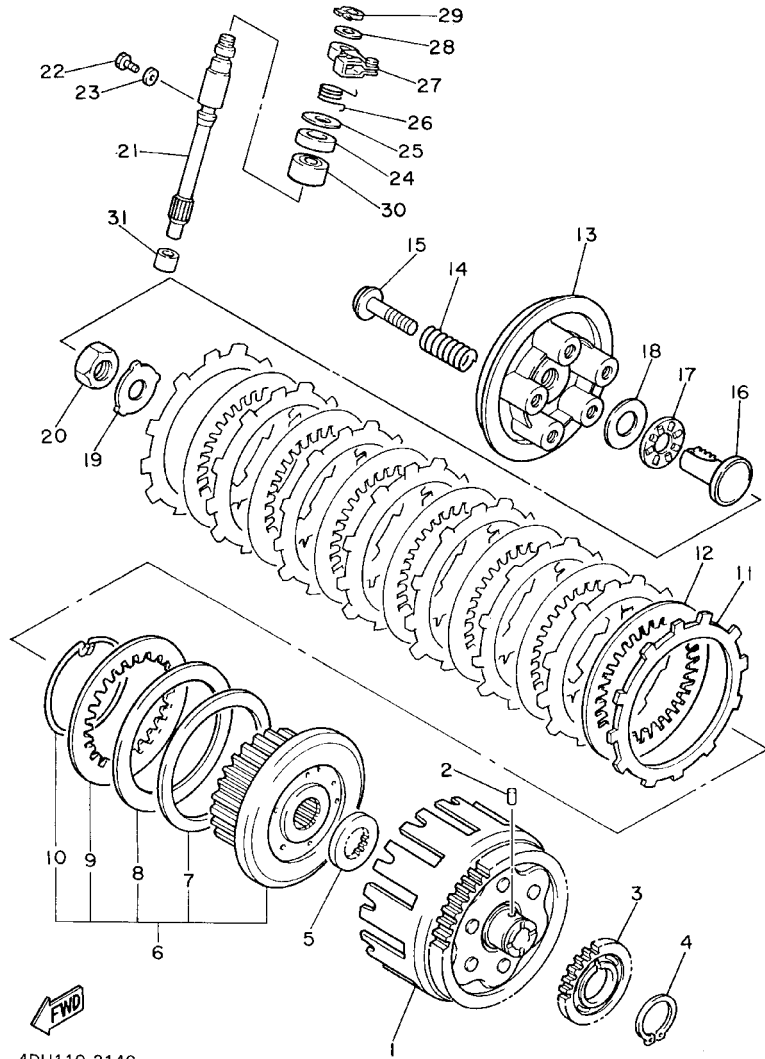
FIG. 14 STARTER CLUTCH



FWD
4BR351-2140

REF. NO.	PART NO.	DESCRIPTION	4KED	4MB9	4KF9	REMARKS
1	4BP-15512-00	GEAR, IDLER 1	1	1	1	
2	33M-15521-00	SHAFT 1	1	1	1	
3	4BR-16139-00	CHAIN, PRIMARY	1	1	1	
4	4BR-11474-00	GUIDE, UPPER	1	1	1	
5	97007-06014	BOLT	2	2	2	
6	93306-30525	BEARING (B6305)	1	1	1	
7	93102-25253	OIL SEAL	1	1	1	
8	4BR-15570-00	STARTER CLUTCH ASSY	1	1	1	
9	4BR-15580-01	STARTER CLUTCH OUTER ASSY	1	1	1	
10	4BR-16155-10	ABSORBER 1	4	4	4	
11	4BR-11537-00	GEAR, DRIVEN	1	1	1	
12	90387-253Y6	COLLAR	1	1	1	
13	4HM-15517-00	GEAR, IDLER 2	1	1	1	
14	4G0-11406-00	SHAFT ASSY	1	1	1	
15	93306-20545	BEARING	1	1	1	
16	93210-47440	O-RING	1	1	1	
17	90387-2103N	COLLAR	1	1	1	
18	4U8-16111-00	GEAR, PRIMARY DRIVE (28T)	1	1	1	
19	90215-19226	WASHER, LOCK	1	1	1	
20	90179-16319	NUT	1	1	1	

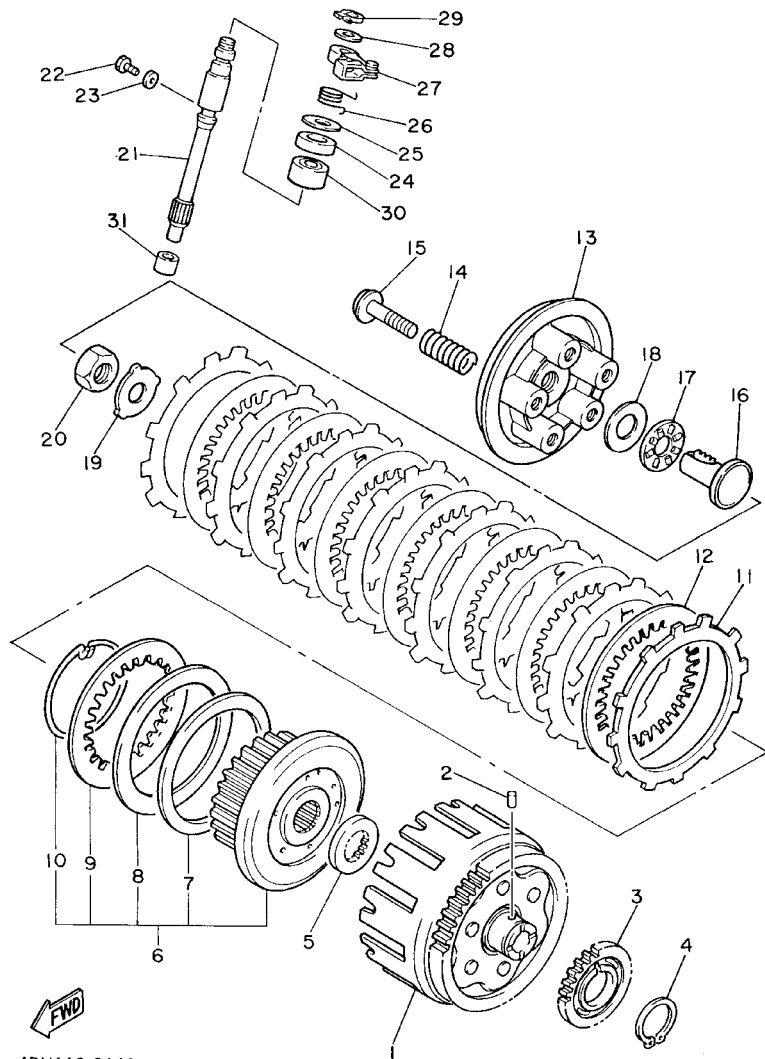
FIG. 15 CLUTCH



4DU110-3140

REF. NO.	PART NO.	DESCRIPTION	4KED	4MB9	4KF9	REMARKS
1	4U8-16170-01	PRIMARY DRIVEN GEAR COMP(65T)	1	1	1	
2	93605-10108	PIN, DOWEL	1	1	1	
3	4U8-13324-00	GEAR, PUMP DRIVE	1	1	1	
4	99009-40400	CIRCLIP	1	1	1	
5	3Y1-16154-00	PLATE, THRUST 1	1	1	1	
6	4BR-16370-00	CLUTCH BOSS ASSY	1	1	1	
7	1J7-16384-00	.PLATE, SEAT	1	1	1	
8	1J7-16383-01	.SPRING, CLUTCH BOSS	1	1	1	
9	168-16324-00	.PLATE, CLUTCH 1 (T2.3)	1	1	1	
10	1J7-16385-00	.RING, CLUTCH BOSS	1	1	1	
11	4H7-16321-02	PLATE, FRICTION	8	8	8	
12	168-16325-00	PLATE, CLUTCH 2 (T1.6)	7	7	7	
13	4BR-16351-00	PLATE, PRESSURE 1	1	1	1	
14	90501-23391	SPRING, COMPRESSION	5	5	5	
15	90159-06092	SCREW, WITH WASHER	5	5	5	
16	3LD-1637A-01	ROD PUSH ASSY	1	1	1	
17	93340-21505	BEARING	1	1	1	
18	90201-150U6	WASHER, PLATE	1	1	1	
19	90215-20170	WASHER, LOCK	1	1	1	
20	90170-20257	NUT	1	1	1	
21	3JD-16382-00	AXLE, PUSH LEVER	1	1	1	
22	90105-06789	BOLT, FLANGE	1	1	1	
23	90430-06014	GASKET	1	1	1	
24	93102-15212	OIL SEAL	1	1	1	
25	90201-15785	WASHER, PLATE	1	1	1	
26	90508-142A8	SPRING, TORSION	1	1	1	
27	4BR-16340-00	PUSH LEVER ASSY	1	1	1	

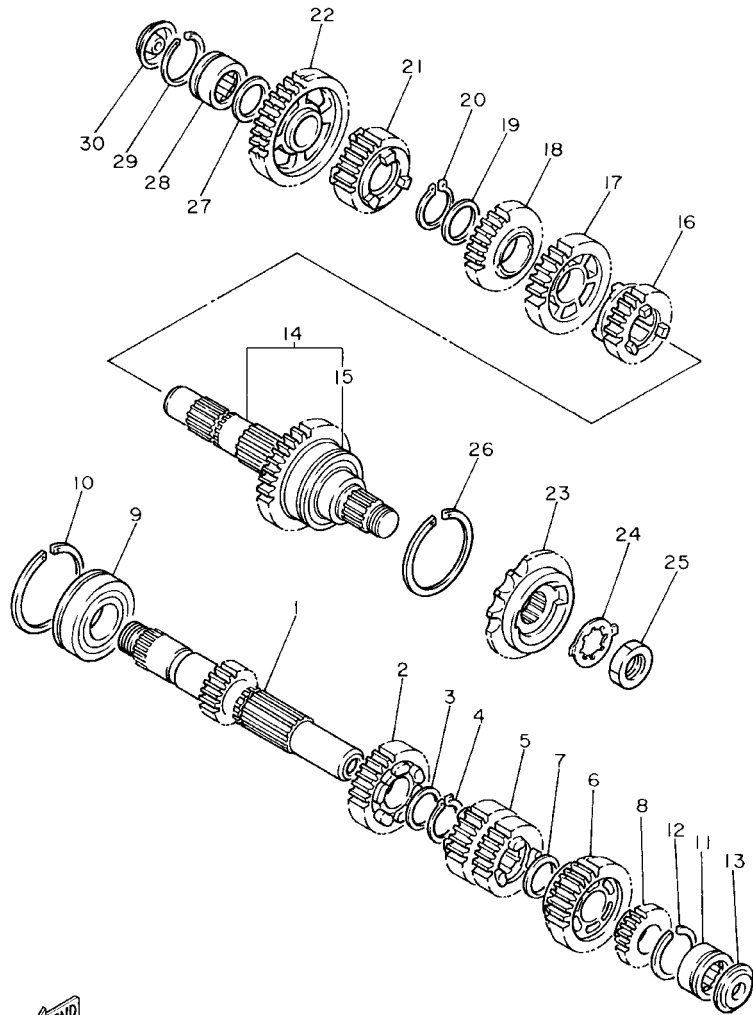
FIG. 15 CLUTCH



4DU110-3140

REF. NO.	PART NO.	DESCRIPTION	4KED	4MB9	4KF9	REMARKS
28	90201-10119	WASHER, PLATE	1	1	1	
29	99009-10400	CIRCLIP	1	1	1	
30	93315-31502	BEARING	1	1	1	
31	93315-10838	BEARING	1	1	1	

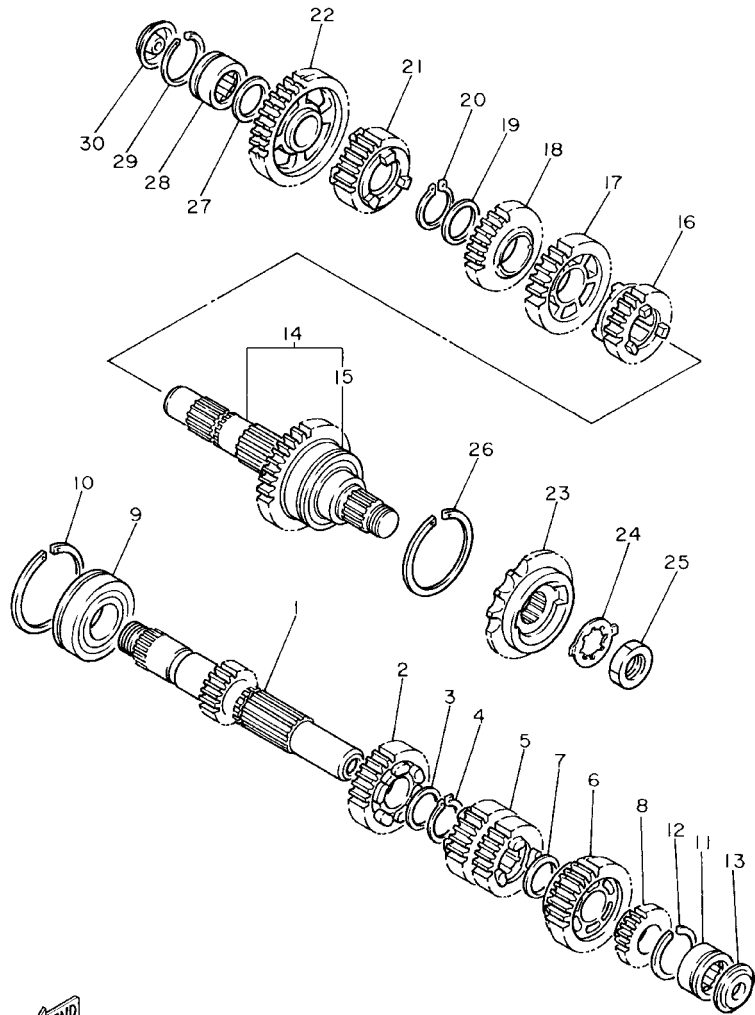
FIG. 16 TRANSMISSION



4BP010-1160

REF. NO.	PART NO.	DESCRIPTION	4KED	4MB9	4KF9	REMARKS
1	4BR-17411-00	AXLE, MAIN (15T)	1	1	1	
2	4BR-17151-00	GEAR, 5TH PINION (23T)	1	1	1	
3	90209-22191	WASHER	1	1	1	
4	93440-25084	CIRCLIP	1	1	1	
5	4BR-17131-00	GEAR, 3RD PINION (27T)	1	1	1	
6	4BR-17161-01	GEAR, 6TH PINION (28T)	1	1	1	
7	90201-200K3	WASHER, PLATE	1	1	1	
8	4BR-17121-00	GEAR, 2ND PINION (18T)	1	1	1	
9	93306-30530	BEARING (6305NC3)	1	1	1	
10	278-17424-01	CIRCLIP 1	1	1	1	
11	93311-42045	BEARING (20NG3315NE)	1	1	1	
12	278-17425-00	CIRCLIP 2	1	1	1	
13	4G0-17433-01	NOZZLE	1	1	1	
14	4BR-17402-01	DRIVE AXLE ASSY	1	1	1	
15	93102-35109	.OIL SEAL (SD-35-62-6 HS)	1	1	1	
16	4BR-17261-00	GEAR, 6TH WHEEL (23T)	1	1	1	
17	4BR-17231-00	GEAR, 3RD WHEEL (28T)	1	1	1	
18	4BR-17241-00	GEAR, 4TH WHEEL (29T)	1	1	1	
19	90209-22191	WASHER	1	1	1	
20	93440-25084	CIRCLIP	1	1	1	
21	4BR-17251-01	GEAR, 5TH WHEEL (21T)	1	1	1	
22	4BR-17211-00	GEAR, 1ST WHEEL (41T)	1	1	1	
23	4BR-17460-00	SPROCKET, DRIVE (16T)	1	1	1	
24	90215-23265	WASHER, LOCK	1	1	1	
25	90179-18552	NUT	1	1	1	
26	278-17424-01	CIRCLIP 1	1	1	1	
27	90201-20276	WASHER, PLATE (1.0T)	1	1	1	

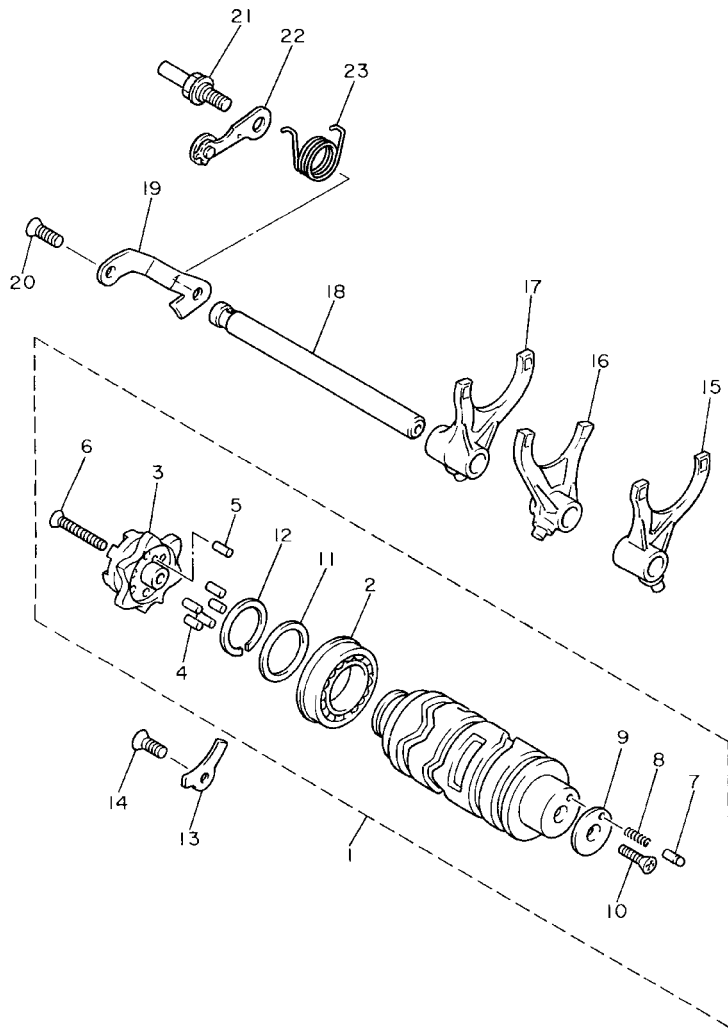
FIG. 16 TRANSMISSION



4BP010-1160

REF. NO.	PART NO.	DESCRIPTION	4KED	4MB9	4KF9	REMARKS
28	93311-42045	BEARING (20NG3315NE)	1	1	1	
29	278-17425-00	CIRCLIP 2	1	1	1	
30	4G0-17433-01	NOZZLE	1	1	1	

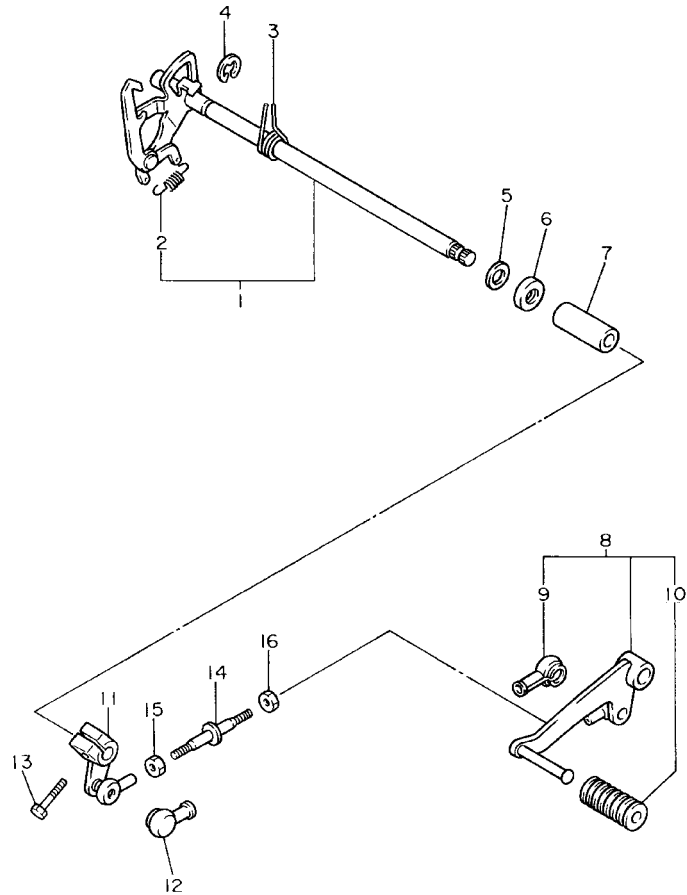
FIG. 17 SHIFT CAM. FORK



4BP010-1170

REF. NO.	PART NO.	DESCRIPTION	4KED	4MB9	4KF9	REMARKS
1	4BR-18540-03	SHIFT CAM ASSY	1	1	1	
2	93306-90503	.BEARING	1	1	1	
3	4BR-18185-00	.SEGMENT	1	1	1	
4	93604-12037	.PIN, DOWEL	5	5	5	
5	93604-10011	.PIN, DOWEL	1	1	1	
6	90151-06013	.SCREW, COUNTERSUNK	1	1	1	
7	4UN-18542-00	.POINT, NEUTRAL	1	1	1	
8	90501-06022	.SPRING, COMPRESSION	1	1	1	
9	4UN-18566-00	.PLATE, SIDE 2	1	1	1	
10	90149-05321	.SCREW	1	1	1	
11	117-15644-00	.SHIM	1	1	1	
12	93440-25084	.CIRCLIP	1	1	1	
13	49A-15383-00	PLATE, BEARING COVER	1	1	1	
14	98707-06016	SCREW, FLAT HEAD	1	1	1	
15	4BR-18511-00	FORK, SHIFT 1	1	1	1	
16	4BR-18512-00	FORK, SHIFT 2	1	1	1	
17	4BR-18513-00	FORK, SHIFT 3	1	1	1	
18	4BR-18531-00	BAR, SHIFT FORK GUIDE 1	1	1	1	
19	4BR-18536-00	STOPPER, SHIFT BAR	1	1	1	
20	98707-06016	SCREW, FLAT HEAD	1	1	1	
21	4BR-18127-00	STOPPER, SCREW	1	1	1	
22	4BR-18140-00	STOPPER LEVER ASSY	1	1	1	
23	90508-241A9	SPRING, TORSION	1	1	1	

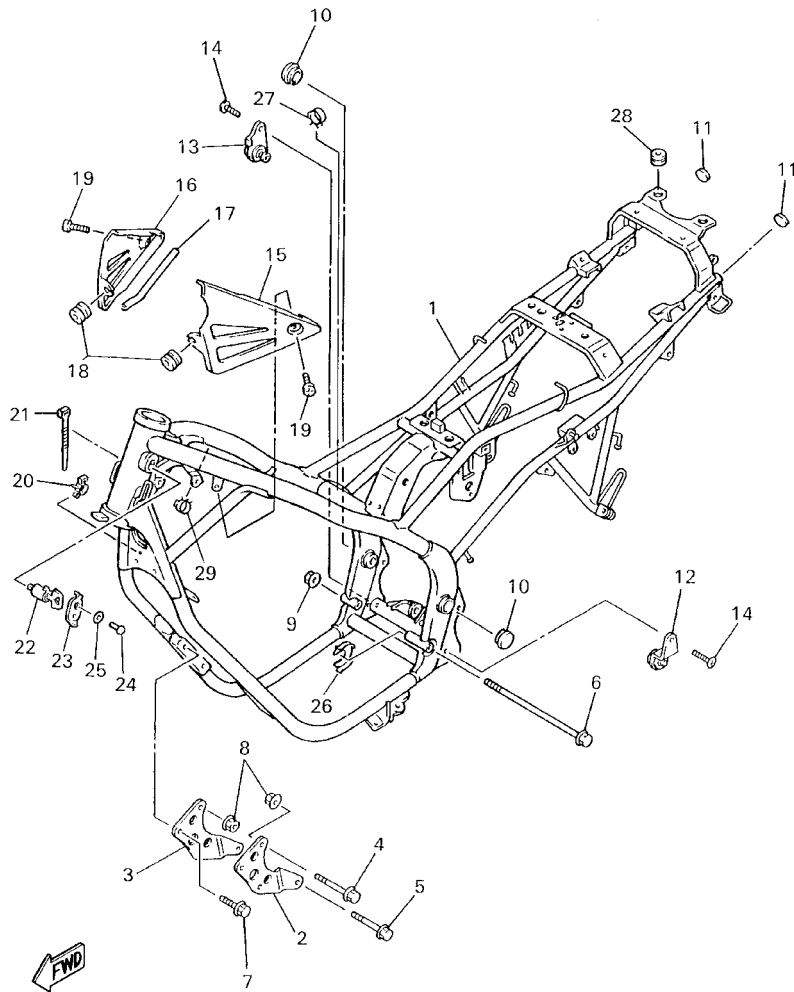
FIG. 18 SHIFTER



FWD
4BP010-1180

REF. NO.	PART NO.	DESCRIPTION	4KED	4MB9	4KF9	REMARKS
1	4BR-18120-00	SHIFT LEVER ASSY	1	1	1	
2	90506-08227	.SPRING, TENSION	1	1	1	
3	90508-292A0	SPRING, TORSION	1	1	1	
4	99001-10600	CIRCLIP	1	1	1	
5	90201-127J6	WASHER, PLATE	1	1	1	
6	93102-12106	OIL SEAL (SD 12-22-5 HS)	1	1	1	
7	90560-12211	SPACER	1	1	1	
8	4BR-18110-00	SHIFT PEDAL ASSY	1	1	1	
9	2H9-18154-00	.COVER, DUST	1	1	1	
10	132-18113-01	.COVER, SHIFT PEDAL	1	1	1	
11	4BR-18112-00	ARM, SHIFT	1	1	1	
12	2H9-18154-00	COVER, DUST	1	1	1	
13	97024-06020	BOLT	1	1	1	
14	26H-18115-00	ROD, SHIFT	1	1	1	
15	95304-06700	NUT	1	1	1	
16	90170-06228	NUT(COUNTER CLOCKWISE)	1	1	1	

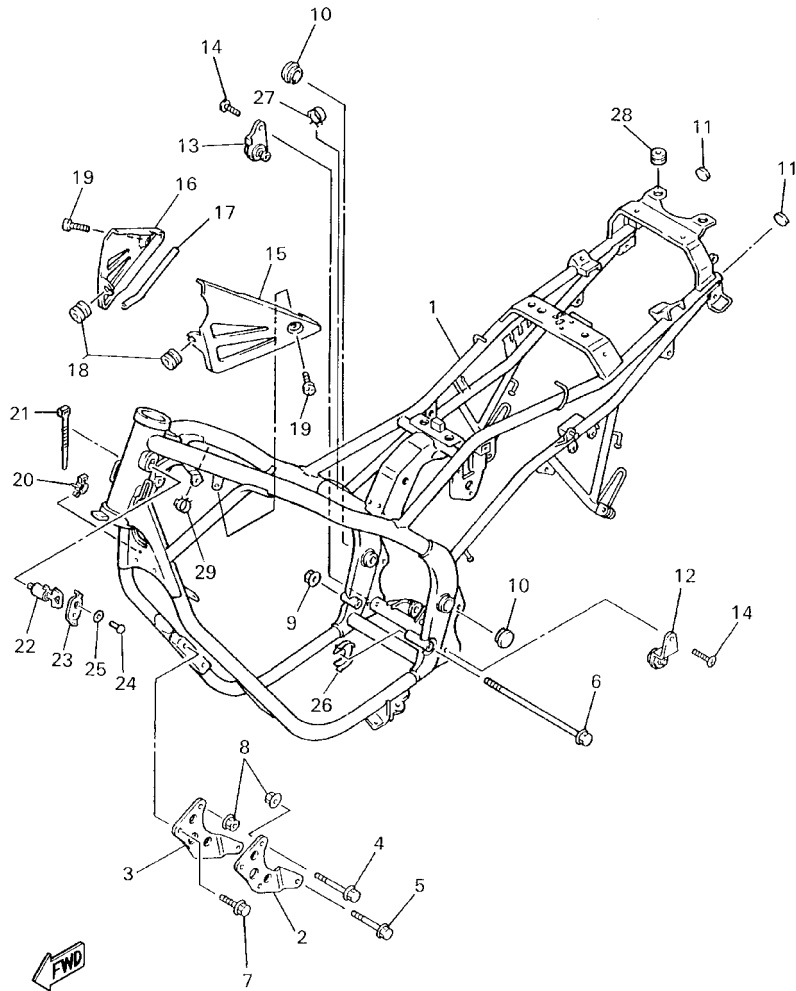
FIG. 19 FRAME



4KE9351-8190

REF. NO.	PART NO.	DESCRIPTION	4KED	4MB9	4KF9	REMARKS
1	4KA-21110-10-P2	FRAME COMP.	1	1	1	UR VRC7
	4KA-21110-10-35	FRAME COMP.	1	1	1	UR SL FOR SM1
2	4BP-21315-00	STAY, ENGINE 2	1	1	1	
3	4BP-21316-00	STAY, ENGINE 3	1	1	1	
4	90105-10788	BOLT, FLANGE	2	2	2	
5	95814-10050	BOLT, FLANGE	2	2	2	
6	90105-12787	BOLT, FLANGE	1	1	1	
7	95824-10016	BOLT, FLANGE	4	4	4	
8	90179-10658	NUT	4	4	4	
9	90179-12657	NUT	1	1	1	
10	3SX-2135F-00	COVER	2	2	2	
11	1AA-2143A-00	CAP	2	2	2	
12	4BP-21445-01	STAY, MUFFLER 1	1	1	1	
13	4BP-21446-01	STAY, MUFFLER 2	1	1	1	
14	90157-08117	SCREW, PAN HEAD	2	2	2	
15	4BP-2117F-00	COVER	1	1	1	
16	4BP-2117M-00	COVER 2	1	1	1	
17	4KE-28345-00	MOLE 1	1	1	1	
18	90480-12550	GROMMET	2	2	2	
19	90149-06298	SCREW	2	2	2	
20	90464-10190	CLAMP	1	1	1	
21	1UA-82591-00	BAND	1	1	1	
22	*	STEERING LOCK ASSY	1	1	1	LM
23	134-23484-10	CAP, HANDLE LOCK	1	1	1	
24	90269-04003	RIVET	1	1	1	
25	90208-04029	WASHER, CONICAL SPRING	1	1	1	
26	90214-12070	WASHER, CLAW	1	1	1	

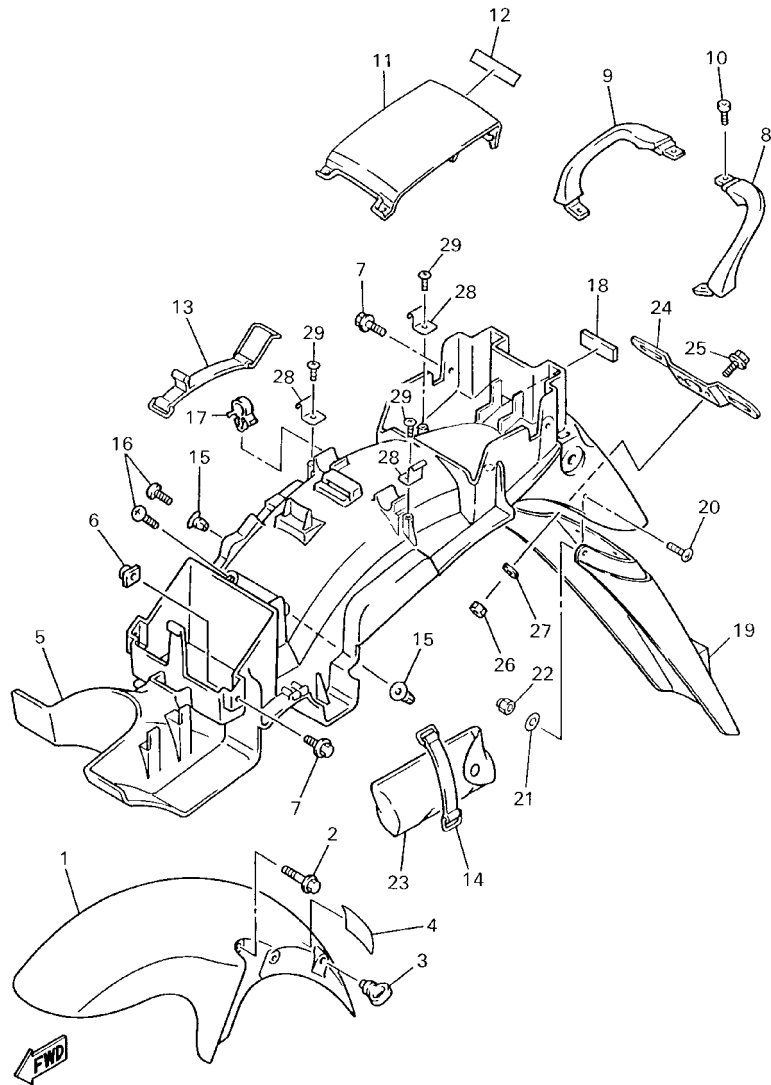
FIG. 19 FRAME



4KE9351-8190

REF. NO.	PART NO.	DESCRIPTION	4KED	4MB9	4KF9	REMARKS
27	90464-25217	CLAMP	1	1	1	
28	90480-14323	GROMMET	2	2	2	
29	90464-15192	CLAMP	1	1	1	

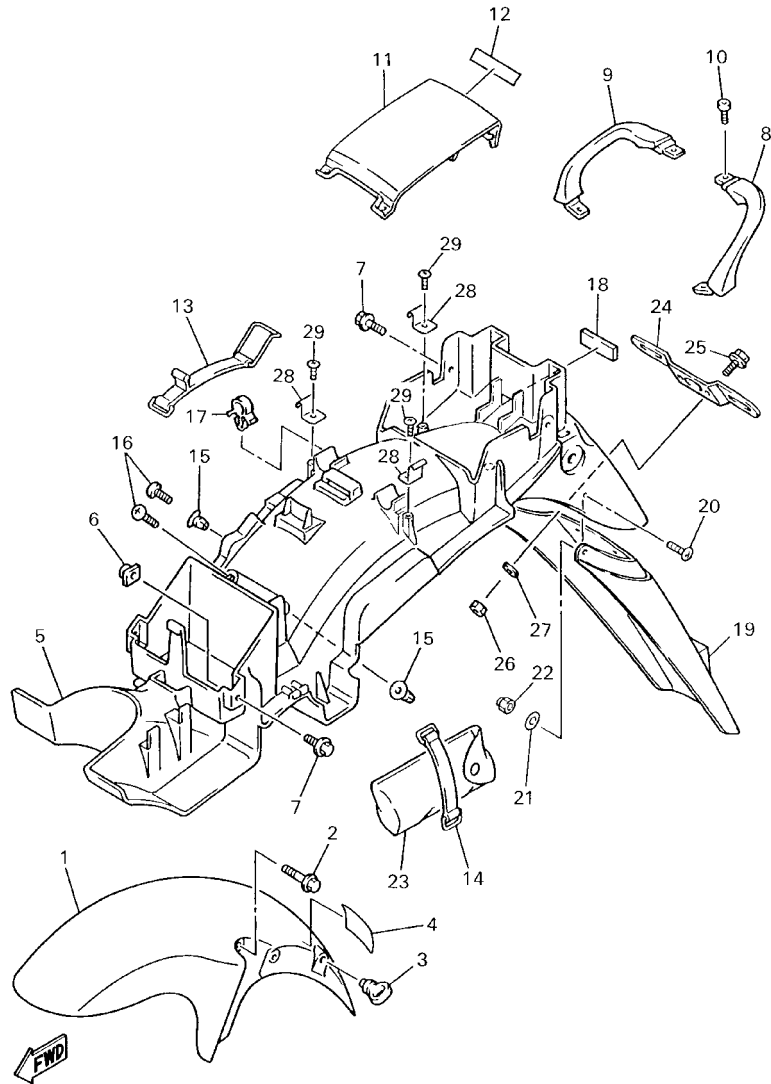
FIG. 20 FENDER



4KE9351-8200

REF. NO.	PART NO.	DESCRIPTION	4KED	4MB9	4KF9	REMARKS
1	4BP-21510-00-PC	FRONT FENDER COMP.	1	1	1	UR VRC7
	4BP-21510-00-PG	FRONT FENDER COMP.	1	1	1	UR SM1
2	95024-06016	BOLT, FLANGE	4	4	4	
3	1A8-21518-00	HOLDER, CABLE	1	1	1	
4	1JK-21735-00	SEAL 2	1	1	1	
5	4BR-21611-02	FENDER, REAR	1	1	1	
6	31A-14477-00	PLATE	2	2	2	
7	90119-06044	BOLT, WITH WASHER	4	4	4	
8	4BP-21644-01	STAY, REAR	1	1	1	
9	4BP-21645-01	STAY, REAR	1	1	1	
10	90109-060E9	BOLT	4	4	4	
11	4EB-21651-00-P6	COVER, REAR FENDER	1	1	1	UR VRC7
	4EB-21651-00-P7	COVER, REAR FENDER	1	1	1	UR SM1
12	99246-00080	EMBLEM, YAMAHA	1	1	1	UR FOR VRC7
	99247-00080	EMBLEM, YAMAHA	1	1	1	UR FOR SM1
13	4BP-82131-00	BAND, BATTERY	1	1	1	
14	18G-82131-00	BAND, BATTERY	1	1	1	
15	90338-08226	PLUG	4	4	4	
16	97707-60016	SCREW, TAPPING	4	4	4	
17	90464-15157	CLAMP	1	1	1	
18	1YW-21717-01	DAMPER	1	1	1	
19	4BR-21621-00	FLAP	1	1	1	
20	90150-04041	SCREW, ROUND HEAD	4	4	4	
21	90201-04018	WASHER, PLATE	4	4	4	
22	95607-04100	NUT, U	4	4	4	
23	1HX-28100-01	TOOL KIT	1	1	1	
24	3YF-84751-00	BRACKET, LICENSE	1	1	1	

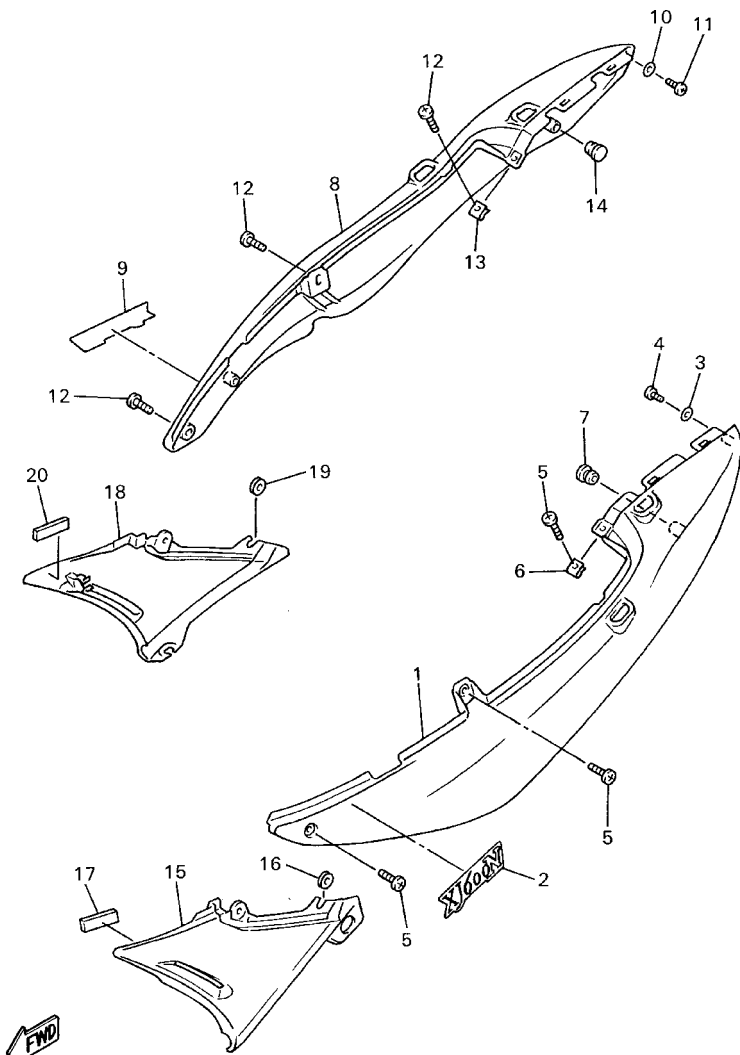
FIG. 20 FENDER



4KE9351-8200

REF. NO.	PART NO.	DESCRIPTION	4KED	4MB9	4KF9	REMARKS
25	95027-06016	BOLT, FLANGE	2	2	2	
26	95607-06100	NUT, U	2	2	2	
27	90201-06557	WASHER, PLATE	2	2	2	
28	36F-28379-00	HOOK	4	4	4	
29	97707-40010	SCREW, TAPPING	4	4	4	
<hr/>						
<hr/>						
<hr/>						
<hr/>						
<hr/>						
<hr/>						
<hr/>						
<hr/>						
<hr/>						
<hr/>						
<hr/>						
<hr/>						

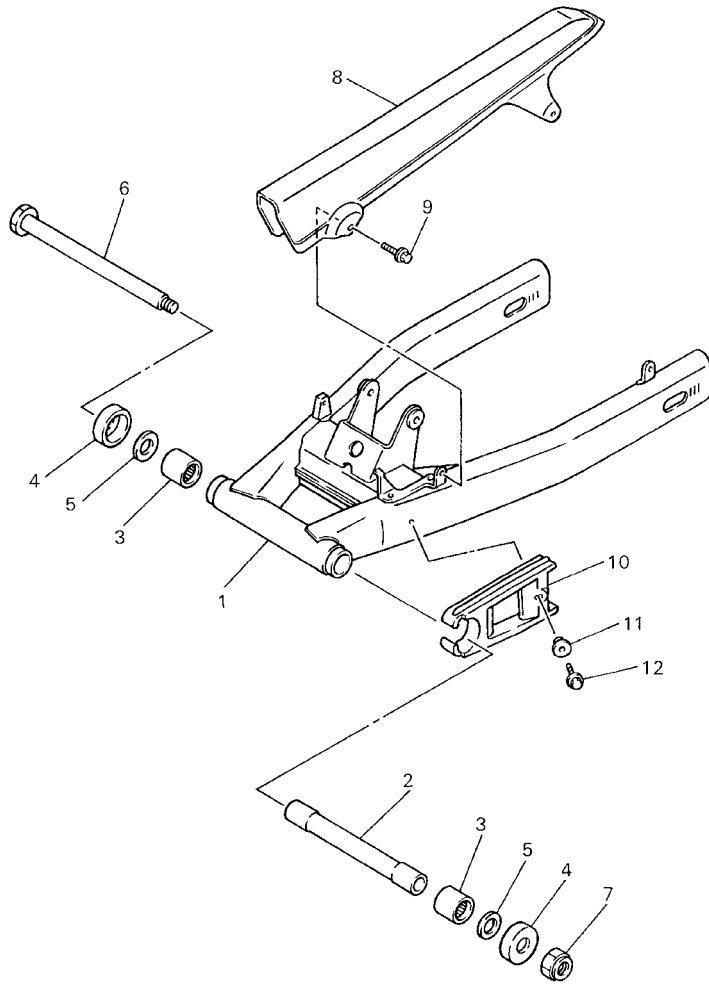
FIG. 21 SIDE COVER



4KE351-6210

REF. NO.	PART NO.	DESCRIPTION	4KED	4MB9	4KF9	REMARKS
1	4EB-21711-00-P6	COVER, SIDE 1	1	1	1	UR VRC7
	4EB-21711-00-P7	COVER, SIDE 1	1	1	1	UR SM1
2	4KE-21781-50	EMBLEM 1	1	1	1	UR FOR VRC7
	4KE-21781-80	EMBLEM 1	1	1	1	UR FOR SM1
3	92907-04200	WASHER	1	1	1	
4	97707-40010	SCREW, TAPPING	1	1	1	
5	90154-05059	SCREW, BINDING	3	3	3	
6	90183-05024	NUT, SPRING	1	1	1	
7	90338-10132	PLUG	1	1	1	
8	4EB-21721-00-P6	COVER, SIDE 2	1	1	1	UR VRC7
	4EB-21721-00-P7	COVER, SIDE 2	1	1	1	UR SM1
9	4KE-21781-50	EMBLEM 1	1	1	1	UR FOR VRC7
	4KE-21781-80	EMBLEM 1	1	1	1	UR FOR SM1
10	92907-04200	WASHER	1	1	1	
11	97707-40010	SCREW, TAPPING	1	1	1	
12	90154-05059	SCREW, BINDING	3	3	3	
13	90183-05024	NUT, SPRING	1	1	1	
14	90338-10132	PLUG	1	1	1	
15	4EB-2171E-00	COVER, SIDE 5	1	1	1	
16	90480-12320	GROMMET	2	2	2	
17	8U9-77162-00	STRIP, WEATHER 2	1	1	1	
18	4EB-2171X-00	COVER, SIDE 6	1	1	1	
19	90480-12320	GROMMET	2	2	2	
20	8U9-77162-00	STRIP, WEATHER 2	1	1	1	

FIG. 22 REAR ARM



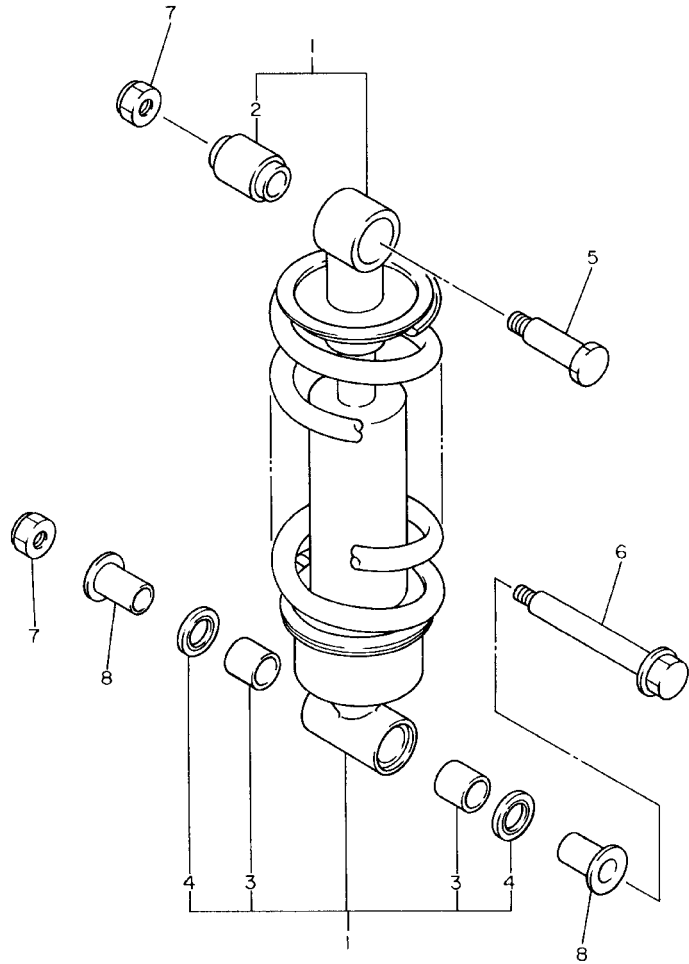
REF. NO.	PART NO.	DESCRIPTION	4KED	4MB9	4KF9	REMARKS
1	4BR-22110-01-WL	REAR ARM COMP.	1	1	1	STDS
2	33M-22184-00	BUSH	1	1	1	
3	93320-32403	BEARING	2	2	2	
4	4X7-22129-00	COVER, THRUST 2	2	2	2	
5	90201-161J3	WASHER, PLATE	2	2	2	
6	3LN-22141-60	SHAFT, PIVOT	1	1	1	
7	90185-14070	NUT, SELF-LOCKING	1	1	1	
8	1KT-22311-00	CASE, CHAIN	1	1	1	
9	90119-06044	BOLT, WITH WASHER	2	2	2	
10	3YX-22151-00	SEAL, GUARD	1	1	1	
11	90387-083Y8	COLLAR	1	1	1	
12	95807-06016	BOLT, FLANGE	1	1	1	



4BR351-5220

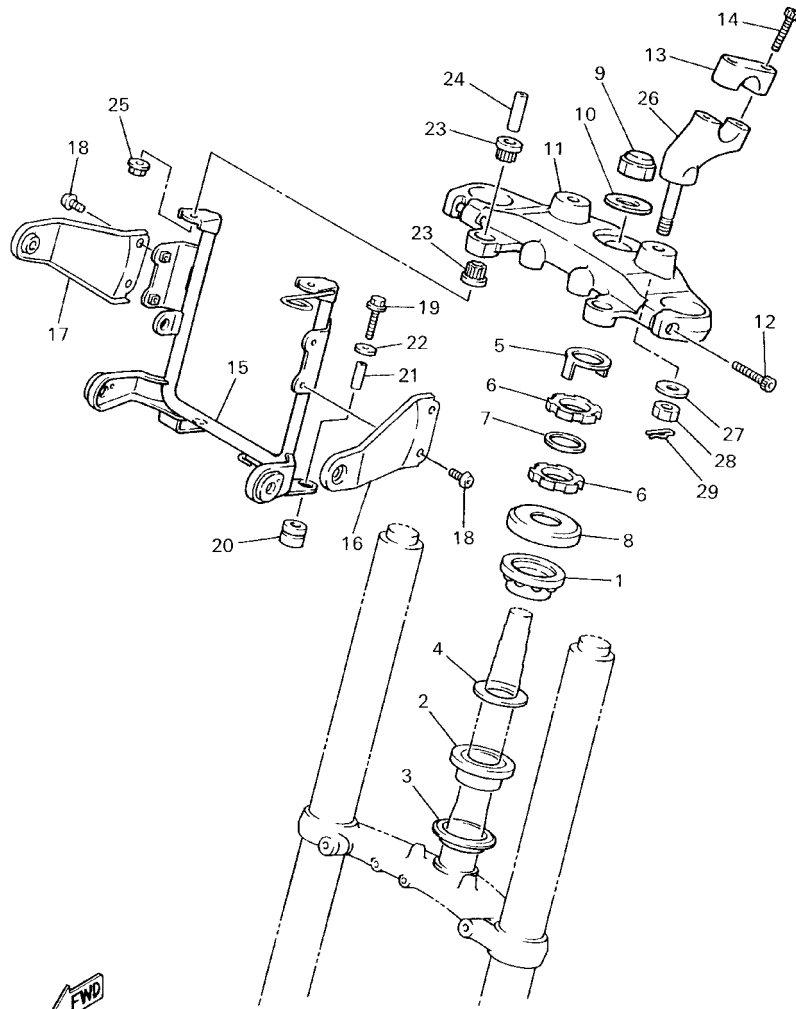
FIG. 23 REAR SUSPENSION

REF. NO.	PART NO.	DESCRIPTION	4KED	4MB9	4KF9	REMARKS
1	4BR-22210-01	SHOCK ABSORBER ASSY, REAR	1	1	1	
2	34L-22216-00	.BUSH, REAR SHOCK ABSORBER	1	1	1	
3	93109-18020	.OIL SEAL	2	2	2	
4	90384-18157	.BUSH, BIMETAL FORMED	2	2	2	
5	90101-12558	BOLT	1	1	1	
6	90109-125F1	BOLT	1	1	1	
7	95607-12200	NUT, SELF-LOCKING	2	2	2	
8	90387-123X6	COLLAR	2	2	2	



4BP010-1230

FIG. 24 STEERING

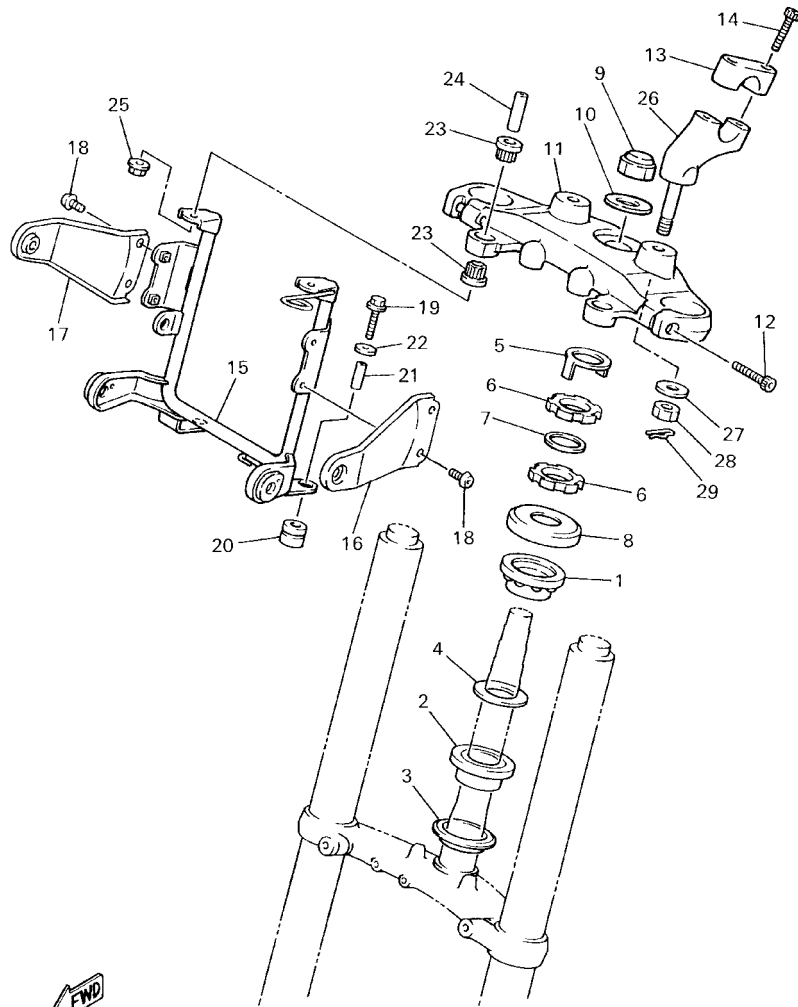


4KE9351-8240

REF. NO.	PART NO.	DESCRIPTION	4KED	4MB9	4KF9	REMARKS
1	93399-99931	BEARING	1	1	1	
2	93399-99932	BEARING	1	1	1	
3	3FV-23462-00	SEAL, STEERING	1	1	1	
4	90202-24190	WASHER, PLATE	1	1	1	
5	26H-23418-01	WASHER, SPECIAL	1	1	1	
6	90179-25033	NUT	2	2	2	
7	90202-26142	WASHER, PLATE	1	1	1	
8	1W1-23416-00	COVER, BALL RACE 2	1	1	1	
9	90176-22081	NUT, CROWN	1	1	1	
10	90201-220T0	WASHER, PLATE	1	1	1	
11	4KA-23435-00	CROWN, HANDLE	1	1	1	
12	91314-08030	BOLT	2	2	2	
13	4H7-23441-00-P0	HOLDER, HANDLE UPPER	2	2	2	LGM1
14	91314-08030	BOLT	4	4	4	
15	4KA-23174-00	STAY, HEADLIGHT	1	1	1	
16	4DN-23121-00	COVER, UPPER 1	1	1	1	
17	4DN-23131-00	COVER, UPPER 2	1	1	1	
18	90149-06298	SCREW	4	4	4	
19	95807-06030	BOLT, FLANGE	2	2	2	
20	90480-14105	GROMMET	2	2	2	
21	90387-06554	COLLAR	2	2	2	
22	90201-06557	WASHER, PLATE	2	2	2	
23	1JK-83541-00	DAMPER	4	4	4	
24	90387-06676	COLLAR	2	2	2	
25	95707-06500	NUT, FLANGE	2	2	2	
26	3Y6-23442-00-P0	HOLDER, HANDLE LOWER	2	2	2	LGM1
27	92907-10600	WASHER, PLATE	2	2	2	

D9

FIG. 24 STEERING



4KE9351-8240

REF. NO.	PART NO.	DESCRIPTION	4KED	4MB9	4KF9	REMARKS
28	95307-10600	NUT	2	2	2	
29	90468-12006	CLIP	2	2	2	

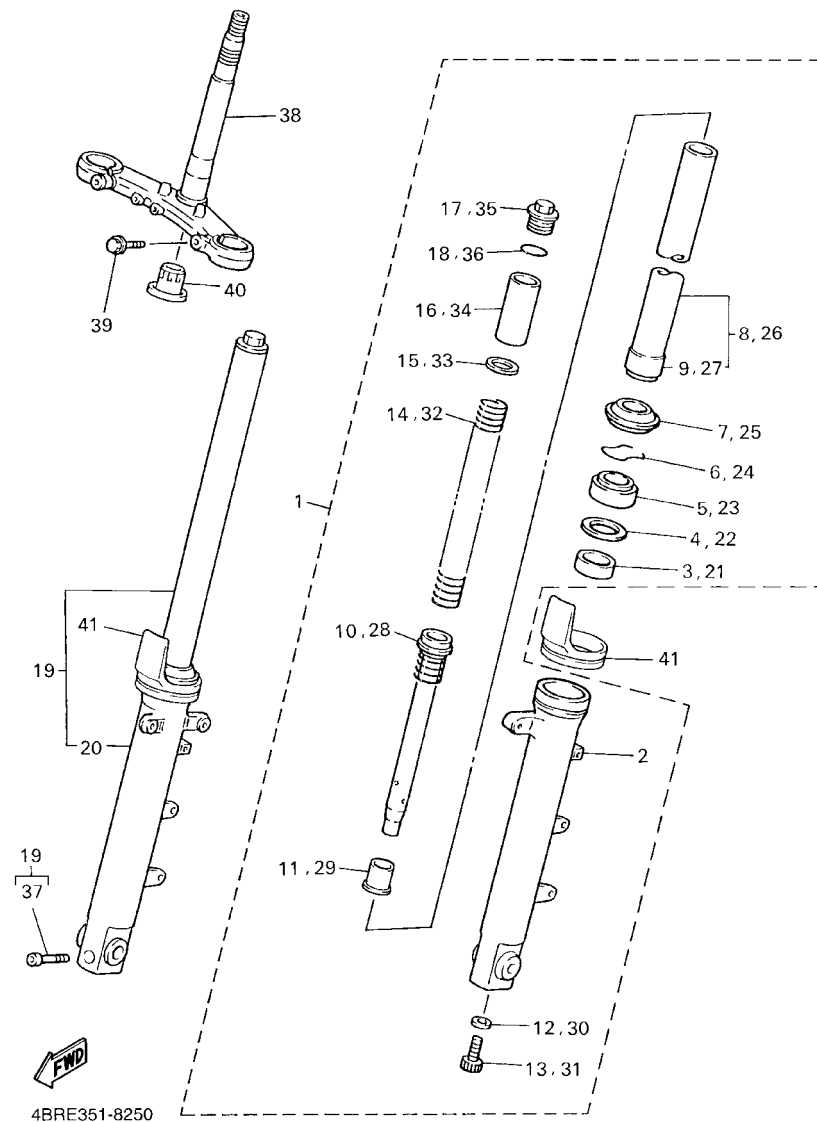
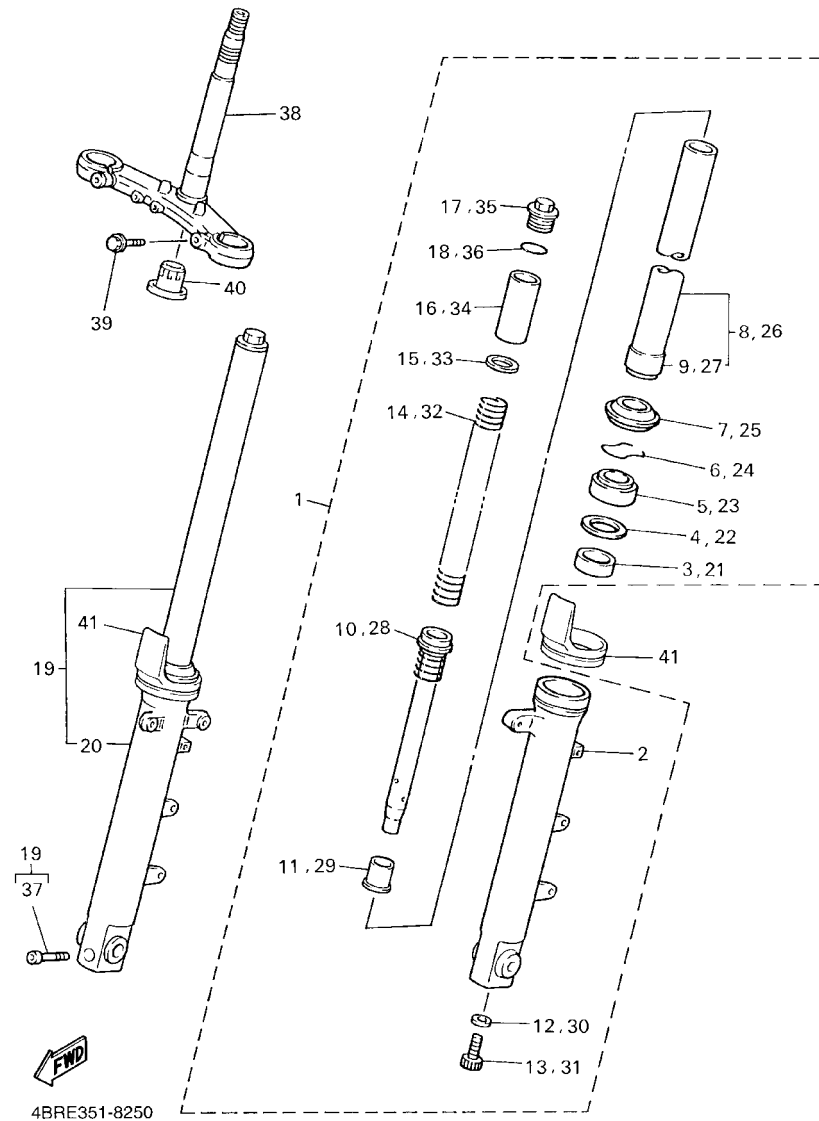


FIG. 25 FRONT FORK

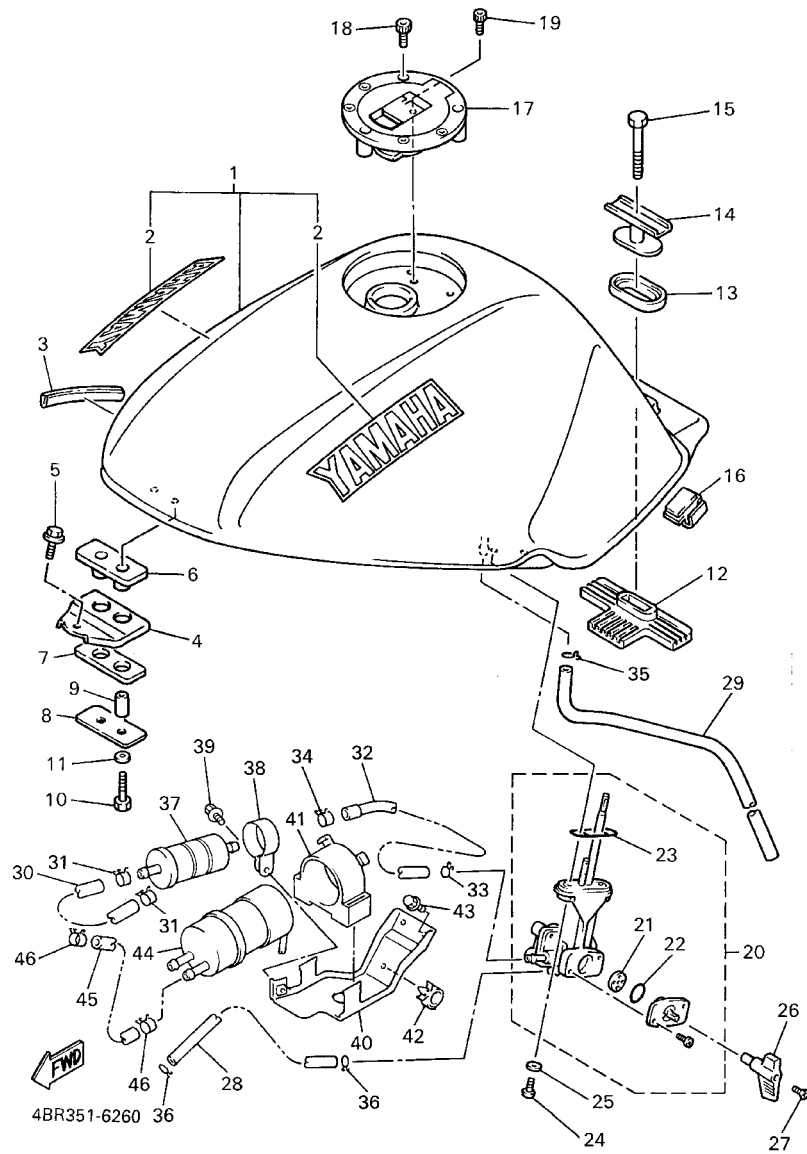
REF. NO.	PART NO.	DESCRIPTION	4KED	4MB9	4KF9	REMARKS
1	4EB-23102-00	FRONT FORK ASSY (L.H)	1	1	1	
2	4EB-23126-10	.TUBE, OUTER (LEFT)	1	1	1	
3	4FM-23125-40	.METAL, SLIDE 1	1	1	1	
4	36Y-23146-10	.WASHER, OIL SEAL	1	1	1	
5	4EB-23145-00	.OIL SEAL	1	1	1	
6	26H-23156-00	.CLIP, OIL SEAL	1	1	1	
7	4EB-23144-00	.SEAL, DUST	1	1	1	
8	4EB-23110-10	.INNER TUBE COMP.1	1	1	1	
9	4YR-23171-00	..PISTON, FRONT FORK	1	1	1	
10	4EB-23170-00	.CYLINDER COMP., FRONT FORK	1	1	1	
11	4YR-23173-00	.SPINDLE, TAPER	1	1	1	
12	509-23158-L0	.GASKET	1	1	1	
13	278-23181-50	.BOLT, HEXAGON SOCKET HEAD	1	1	1	
14	4EB-23141-10	.SPRING, FRONT FORK	1	1	1	
15	3EN-23149-50	.WASHER, SPRING UPPER	1	1	1	
16	4YR-23118-00	.SPACER	1	1	1	
17	3EN-23111-51	.BOLT, CAP	1	1	1	
18	43F-23188-10	.O-RING	1	1	1	
19	4EB-23103-00	FRONT FORK ASSY (R.H)	1	1	1	
20	4EB-23136-10	.TUBE, OUTER (RIGHT)	1	1	1	
21	4FM-23125-40	.METAL, SLIDE 1	1	1	1	
22	36Y-23146-10	.WASHER, OIL SEAL	1	1	1	
23	4EB-23145-00	.OIL SEAL	1	1	1	
24	26H-23156-00	.CLIP, OIL SEAL	1	1	1	
25	4EB-23144-00	.SEAL, DUST	1	1	1	
26	4EB-23110-10	.INNER TUBE COMP.1	1	1	1	
27	4YR-23171-00	..PISTON, FRONT FORK	1	1	1	

FIG. 25 FRONT FORK



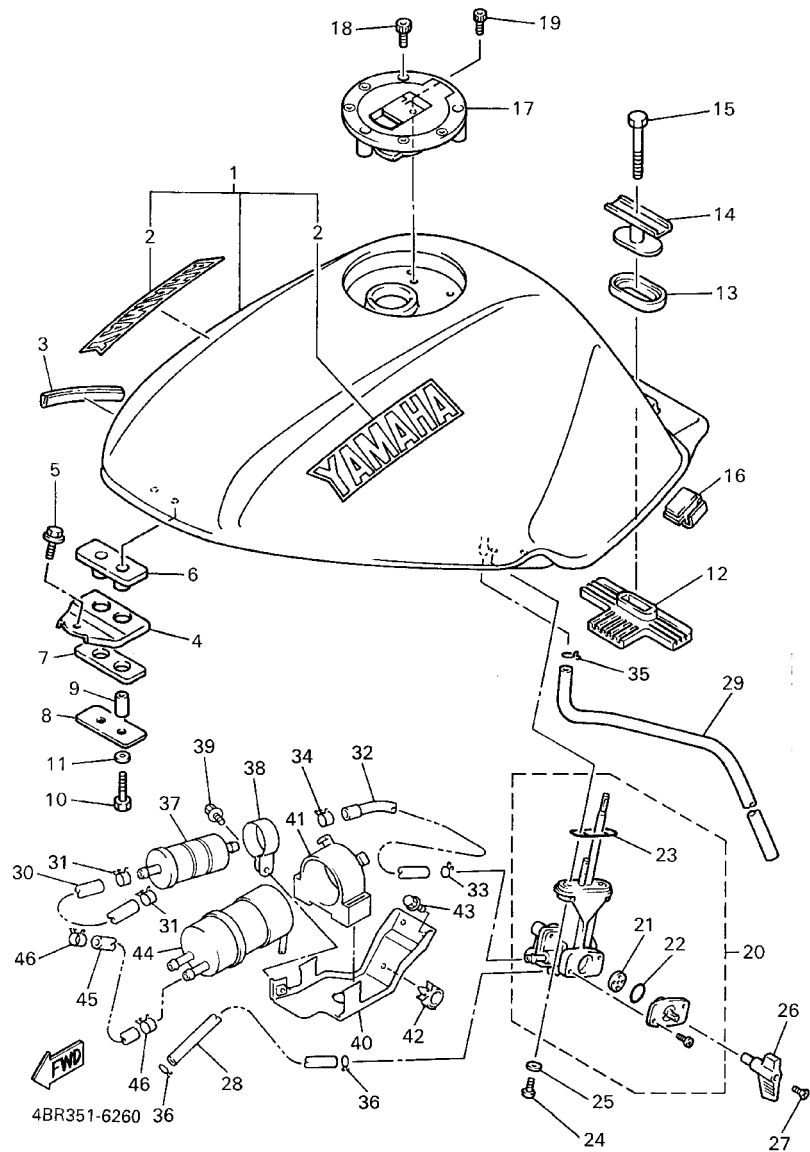
REF. NO.	PART NO.	DESCRIPTION	4KED	4MB9	4KF9	REMARKS
28	4EB-23170-00	.CYLINDER COMP., FRONT FORK	1	1	1	
29	4YR-23173-00	.SPINDLE, TAPER	1	1	1	
30	509-23158-L0	.GASKET	1	1	1	
31	278-23181-50	.BOLT, HEXAGON SOCKET HEAD	1	1	1	
32	4EB-23141-10	.SPRING, FRONT FORK	1	1	1	
33	3EN-23149-50	.WASHER, SPRING UPPER	1	1	1	
34	4YR-23118-00	.SPACER	1	1	1	
35	3EN-23111-51	.BOLT, CAP	1	1	1	
36	43F-23188-10	.O-RING	1	1	1	
37	91314-08040	.BOLT	1	1	1	
38	4KA-23340-00	UNDER BRACKET COMP.	1	1	1	
39	4EB-23356-00	BOLT 2	2	2	2	
40	4KM-23123-01	COVER, LOWER 1	1	1	1	
41	4PU-2331G-00	COVER	2	2	2	

FIG. 26 FUEL TANK

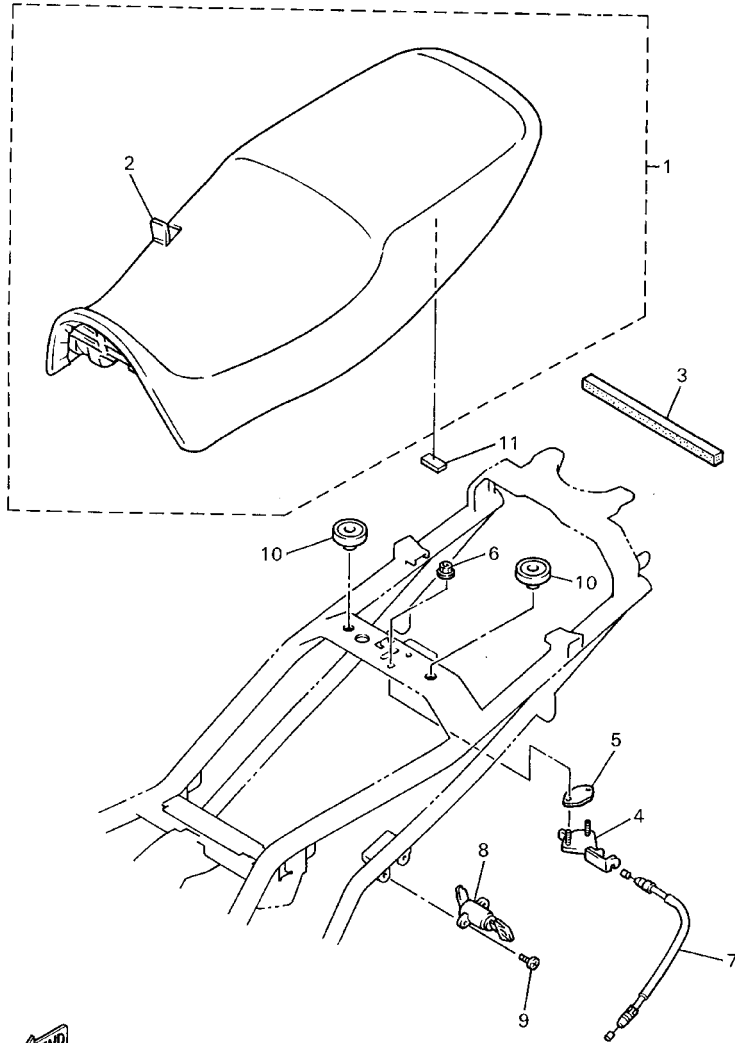


REF. NO.	PART NO.	DESCRIPTION	4KED	4MB9	4KF9	REMARKS
1	4BP-Y2410-02-02	FUEL TANK COMP.	1	1	1	UR VRC7
	4BP-Y2410-02-04	FUEL TANK COMP.	1	1	1	UR SM1
2	99226-00140	.EMBLEM, YAMAHA	2	2	2	UR FOR VRC7
	99227-00140	.EMBLEM, YAMAHA	2	2	2	UR FOR SM1
3	4BP-24188-00	MOLD, FUEL TANK	1	1	1	
4	4BP-24191-00	BRACKET, FUEL TANK 1	1	1	1	
5	90119-06213	BOLT, WITH WASHER	1	1	1	
6	2GH-24181-00	DAMPER, LOCATING 1	1	1	1	
7	2GH-24183-00	DAMPER, LOCATING 3	1	1	1	
8	2GH-24186-00	WASHER, SPECIAL	1	1	1	
9	90387-06299	COLLAR	2	2	2	
10	97007-06025	BOLT	2	2	2	
11	92907-06600	WASHER, PLATE	2	2	2	
12	4BP-24182-00	DAMPER, LOCATING 2	1	1	1	
13	3Y6-24183-00	DAMPER, LOCATING 3	1	1	1	
14	4BP-24186-00	WASHER, SPECIAL	1	1	1	
15	97007-08055	BOLT	1	1	1	
16	4JH-24183-00	DAMPER, LOCATING 3	2	2	2	
17	4FM-24602-10	CAP ASSY	1	1	1	
18	90110-05112	BOLT, HEXAGON SOCKET HEAD	3	3	3	
19	91317-05010	BOLT	1	1	1	
20	4BP-24500-01	FUEL COCK ASSY 1	1	1	1	
21	3AJ-24523-00	.VALVE PACKING	1	1	1	
22	3AJ-24534-00	.SEAL, COCK	1	1	1	
23	4X8-24512-00	.O-RING	1	1	1	
24	90149-06008	SCREW	2	2	2	
25	90202-05193	WASHER, PLATE	2	2	2	

FIG. 26 FUEL TANK



REF. NO.	PART NO.	DESCRIPTION	4KED	4MB9	4KF9	REMARKS
26	3HE-24524-00	LEVER, COCK	1	1	1	
27	98707-04018	SCREW, FLAT HEAD	1	1	1	
28	90445-09683	HOSE (L260)	1	1	1	
29	90445-103E6	HOSE (L515)	1	1	1	
30	4EB-24313-00	PIPE 3	1	1	1	
31	90467-12053	CLIP	2	2	2	
32	4EB-24311-00	PIPE, FUEL 1	1	1	1	
33	90467-10041	CLIP	1	1	1	
34	90467-12053	CLIP	1	1	1	
35	90467-09006	CLIP	1	1	1	
36	90467-08021	CLIP	2	2	2	
37	1FK-24560-00	FILTER ASSY	1	1	1	
38	4BR-24366-00	CLAMP, FUEL PIPE 1	1	1	1	
39	95817-06010	BOLT, FLANGE	1	1	1	
40	4EB-24216-00	STAY	1	1	1	
41	4EB-24398-00	BAND 1	1	1	1	
42	90464-18205	CLAMP	1	1	1	
43	95027-06014	BOLT, FLANGE	2	2	2	
44	3YX-13907-01	FUEL PUMP COMP.	1	1	1	
45	90445-144J8	HOSE (L135)	1	1	1	
46	90467-13071	CLIP	2	2	2	

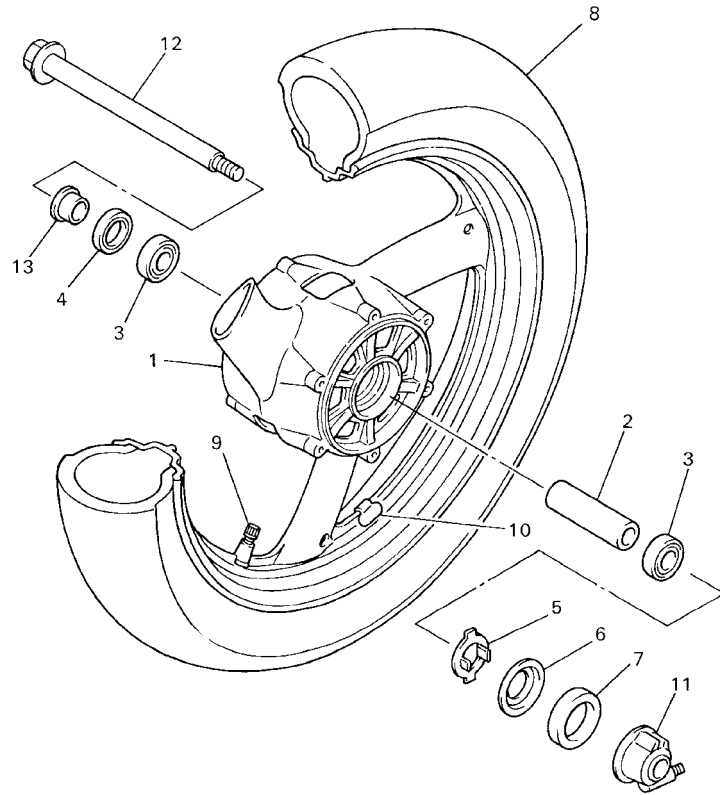


4BR351-6270

FIG. 27 SEAT

REF. NO.	PART NO.	DESCRIPTION	4KED	4MB9	4KF9	REMARKS
1	4EB-24730-20	DOUBLE SEAT ASSY	1	1	1	YB
2	4EB-2470F-20	.COVER, SEAT	1	1	1	YB
3	4BP-24737-00	DAMPER, SEAT	1	1	1	
4	4BP-24780-00	SEAT LOCK ASSY	1	1	1	
5	4BP-24792-00	PLATE	1	1	1	
6	95707-06500	NUT, FLANGE	2	2	2	
7	4EB-2478E-00	CABLE, SEAT LOCK	1	1	1	
8	3CK-W2470-00	SEAT LOCK ASSY	1	1	1	
9	90149-06228	SCREW	2	2	2	
10	22W-24741-00	PAD, SEAT	2	2	2	
11	3XV-21717-00	DAMPER	2	2	2	

FIG. 28 FRONT WHEEL



REF. NO.	PART NO.	DESCRIPTION	4KED	4MB9	4KF9	REMARKS
1	4EB-25168-00-WN	CAST WHEEL, FRONT	1	1	1	CIS
2	90560-17241	SPACER	1	1	1	
3	93306-20309	BEARING (B6203)	2	2	2	
4	93102-25017	OIL SEAL	1	1	1	
5	341-25149-00	CLUTCH, METER	1	1	1	
6	341-25846-00	RETAINER, CLUTCH	1	1	1	
7	93105-45017	OIL SEAL	1	1	1	
8	94111-1707Y	TIRE (110/80-17 57H D103FA)	1	1	1	UR DUNLOP
	*	TIRE (110/80-17 57H MACADAM50)	1	1	1	UR LM MICHELIN
9	93900-00022	VALVE, RIM	1	1	1	TAIHEIYO
10	29L-25398-00	BALANCER, WHEEL (10G)	1	1	1	UR
	29L-25398-10	BALANCER, WHEEL (20G)	1	1	1	UR
	29L-25398-20	BALANCER, WHEEL (30G)	1	1	1	UR
11	4KG-25190-10	GEAR UNIT ASSY	1	1	1	
12	3GM-25181-03	AXLE, WHEEL	1	1	1	
13	90387-177Y4	COLLAR	1	1	1	



4BRE351-8280

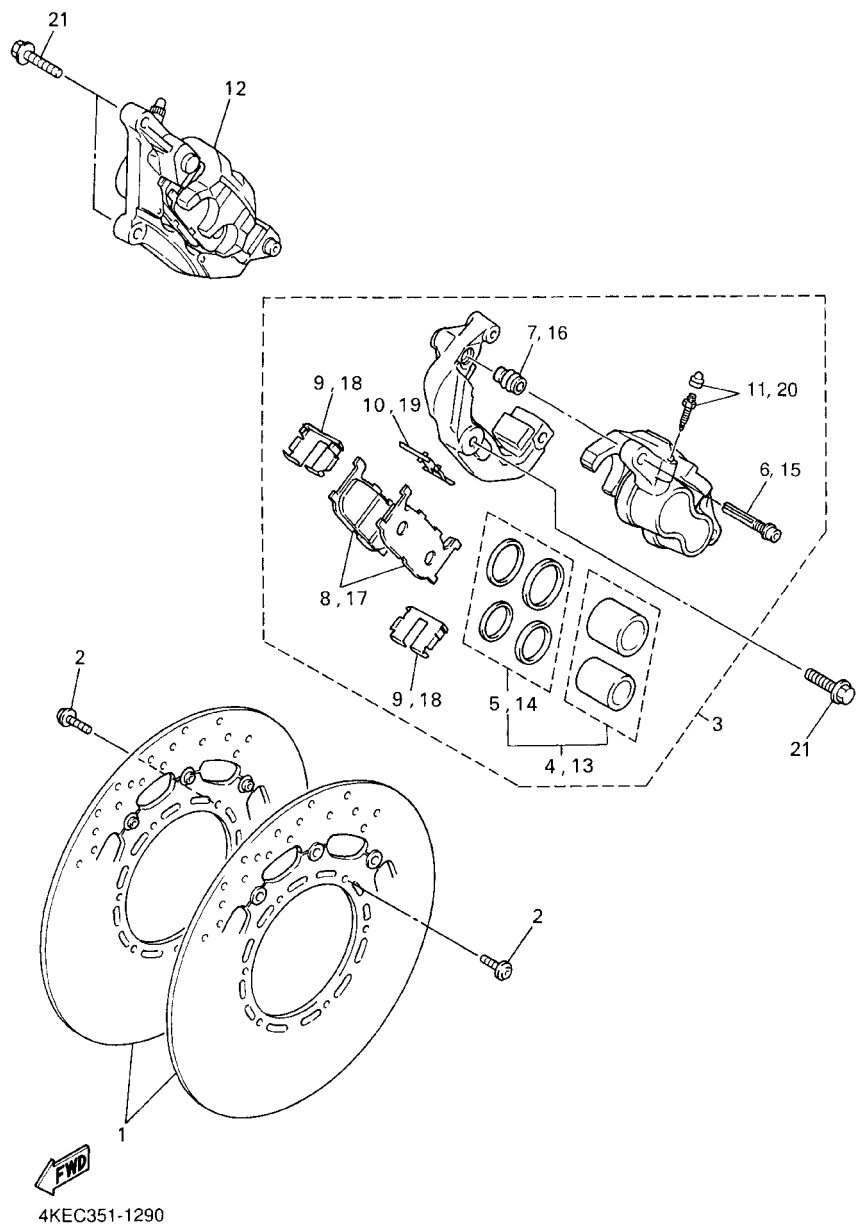
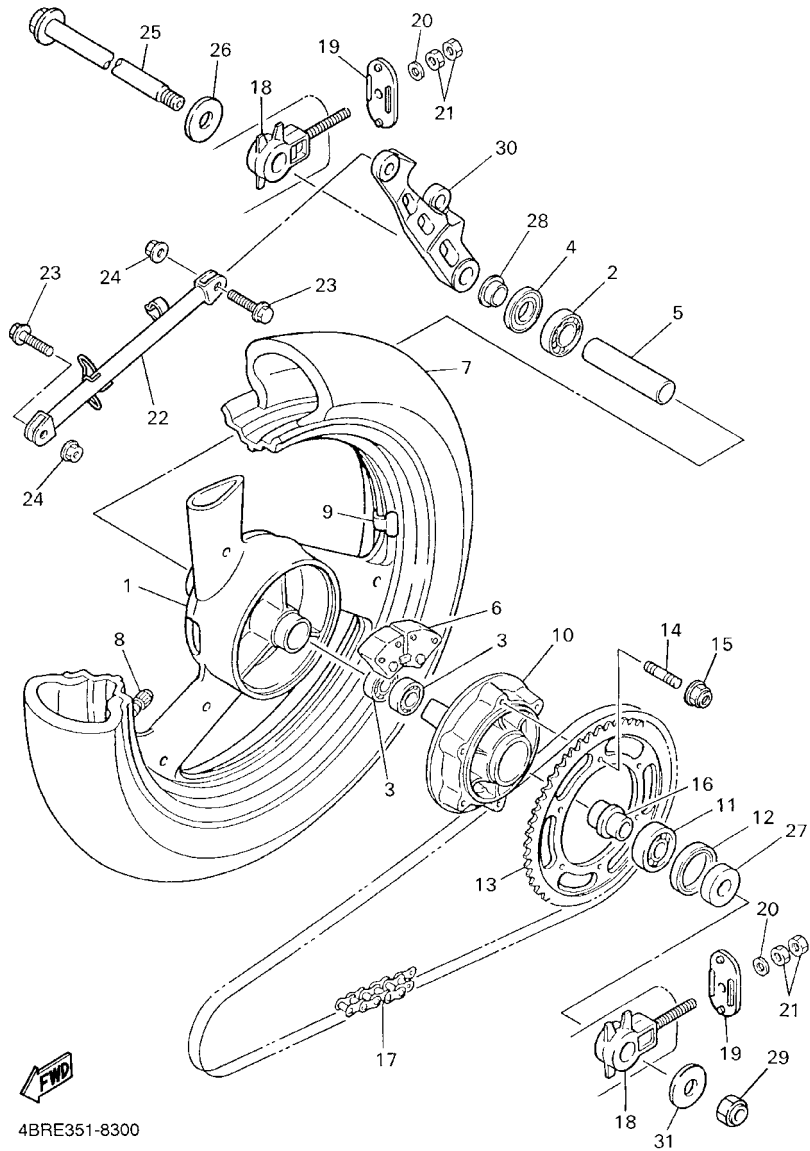


FIG. 29 FRONT BRAKE CALIPER

REF. NO.	PART NO.	DESCRIPTION	4KED	4MB9	4KF9	REMARKS
1	3LR-2581T-00	DISC BRAKE ASSY	2	2	2	
2	90109-083G4	BOLT	12	12	12	
3	5KS-2580T-00	CALIPER ASSY (LEFT)	1	1	1	
4	5KS-W0057-00	.PISTON ASSY, CALIPER	1	1	1	
5	4FU-W0047-00	..CALIPER SEAL KIT	1	1	1	
6	4TT-25914-00	.PIN, SLIDE	2	2	2	
7	4TT-25937-00	.BOOT 2	2	2	2	
8	4EB-W0045-00	.BRAKE PAD KIT	1	1	1	
9	4BP-25919-00	.SUPPORT, PAD	2	2	2	
10	3YX-25929-00	.SPRING, ANTI RATTLE	1	1	1	
11	51L-W0048-00	.BLEED SCREW KIT	1	1	1	
12	5KS-2580U-00	CALIPER ASSY (RIGHT)	1	1	1	
13	5KS-W0057-00	.PISTON ASSY, CALIPER	1	1	1	
14	4FU-W0047-00	..CALIPER SEAL KIT	1	1	1	
15	4TT-25914-00	.PIN, SLIDE	2	2	2	
16	4TT-25937-00	.BOOT 2	2	2	2	
17	4EB-W0045-00	.BRAKE PAD KIT	1	1	1	
18	4BP-25919-00	.SUPPORT, PAD	2	2	2	
19	3YX-25929-00	.SPRING, ANTI RATTLE	1	1	1	
20	51L-W0048-00	.BLEED SCREW KIT	1	1	1	
21	90105-10638	BOLT, FLANGE	4	4	4	

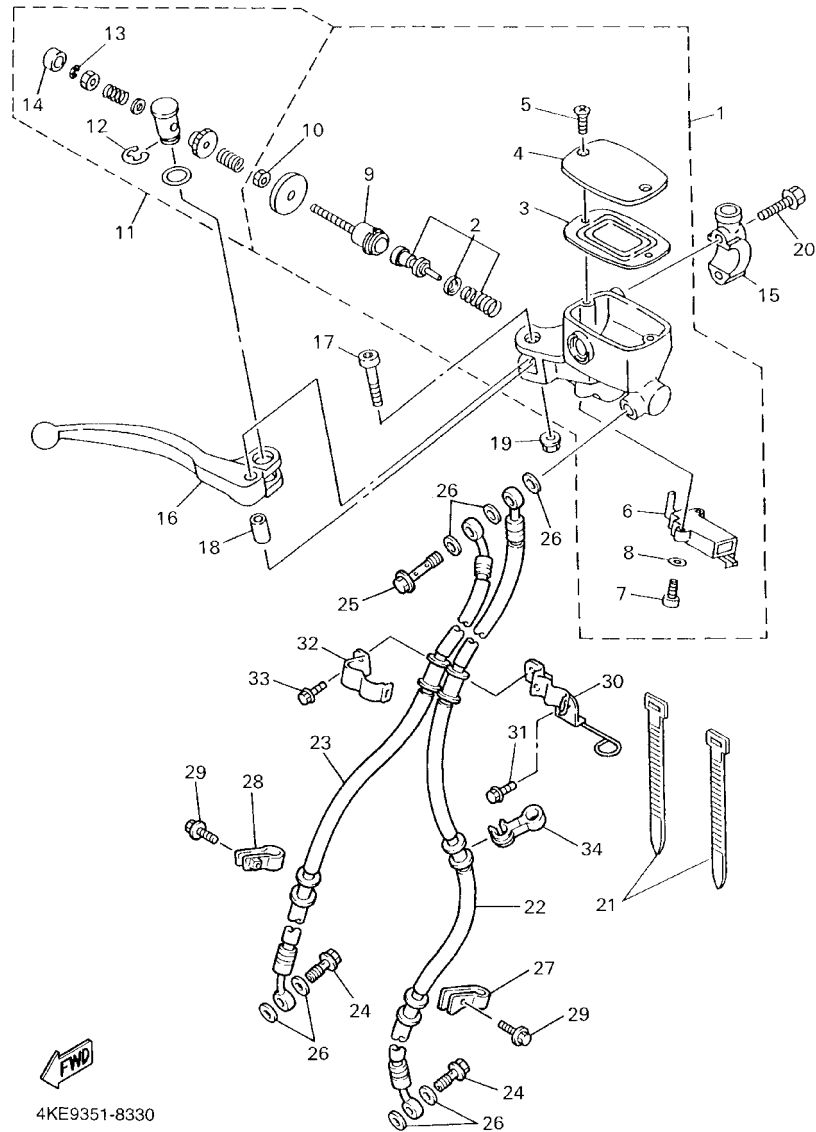
FIG. 30 REAR WHEEL



4BRE351-8300

REF. NO.	PART NO.	DESCRIPTION	4KED	4MB9	4KF9	REMARKS
1	3HE-25338-00-WN	CAST WHEEL, REAR	1	1	1	CIS
2	93306-30317	BEARING	1	1	1	
3	93306-20314	BEARING (B6203)	2	2	2	
4	93102-25044	OIL SEAL	1	1	1	
5	90387-174V8	COLLAR	1	1	1	
6	4BP-25364-00	DAMPER	3	3	3	
7	94113-1807X	TIRE (130/70-18 63H D103A)	1	1	1	UR DUNLOP
	*	TIRE (130/70-18 63H MACADAM50)	1	1	1	UR LM MICHELIN
8	93900-00022	VALVE, RIM	1	1	1	TAIHEIYO
9	29L-25398-00	BALANCER, WHEEL (10G)	1	1	1	UR
	29L-25398-10	BALANCER, WHEEL (20G)	1	1	1	UR
	29L-25398-20	BALANCER, WHEEL (30G)	1	1	1	UR
10	4BP-25366-00	CLUTCH, HUB	1	1	1	
11	93306-37207	BEARING	1	1	1	
12	93105-42024	OIL SEAL	1	1	1	
13	4BP-25448-20	SPROCKET, DRIVEN (48T)	1	1		
	4BP-25446-20	SPROCKET, DRIVEN (46T)			1	
14	90116-10485	BOLT, STUD	6	6	6	
15	95607-10200	NUT, SELF-LOCKING	6	6	6	
16	90387-177K0	COLLAR	1	1	1	
17	94581-30110	CHAIN (DID520VL2-110LE)	1	1		
	94581-30108	CHAIN (DID520VL2-108LE)			1	
18	4BP-25388-00	PULLER, CHAIN 1	2	2	2	
19	3YX-22174-00	END 1	2	2	2	
20	92903-08600	WASHER, PLATE	2	2	2	
21	95304-08600	NUT	4	4	4	
22	4BR-25371-01	BAR, TENSION	1	1	1	

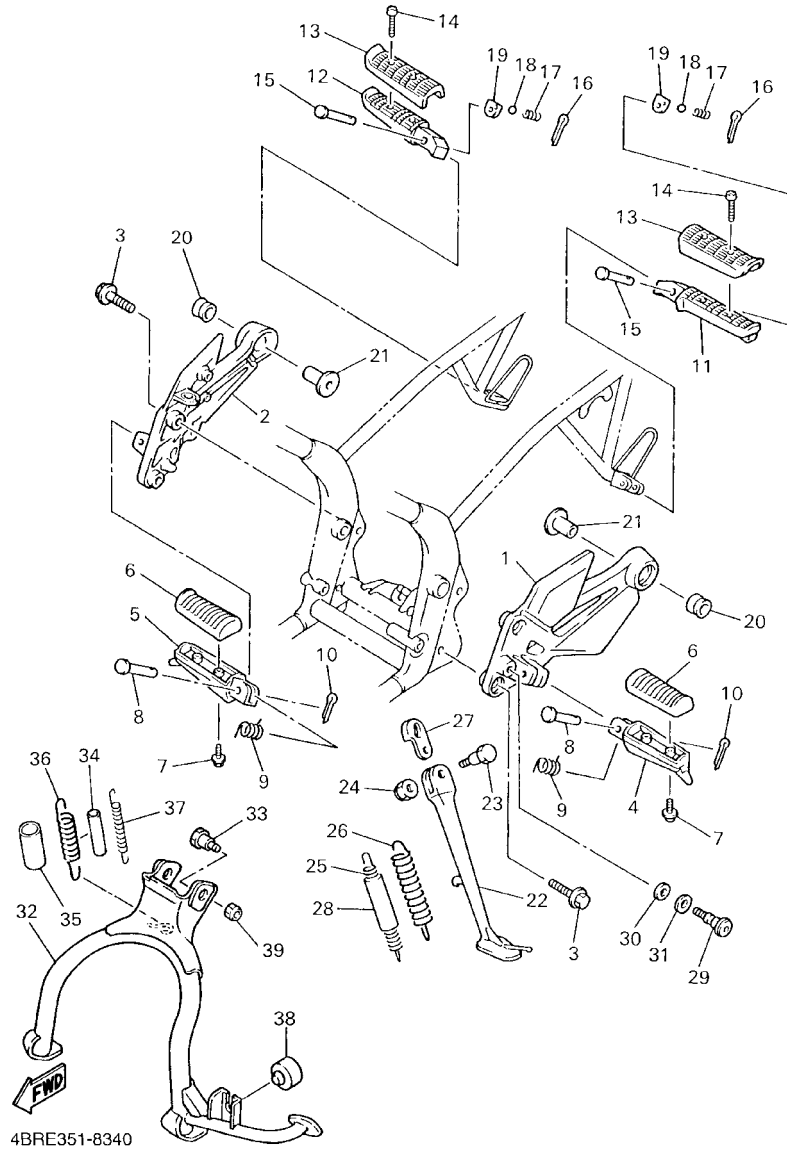
FIG. 33 FRONT MASTER CYLINDER



4KE9351-8330

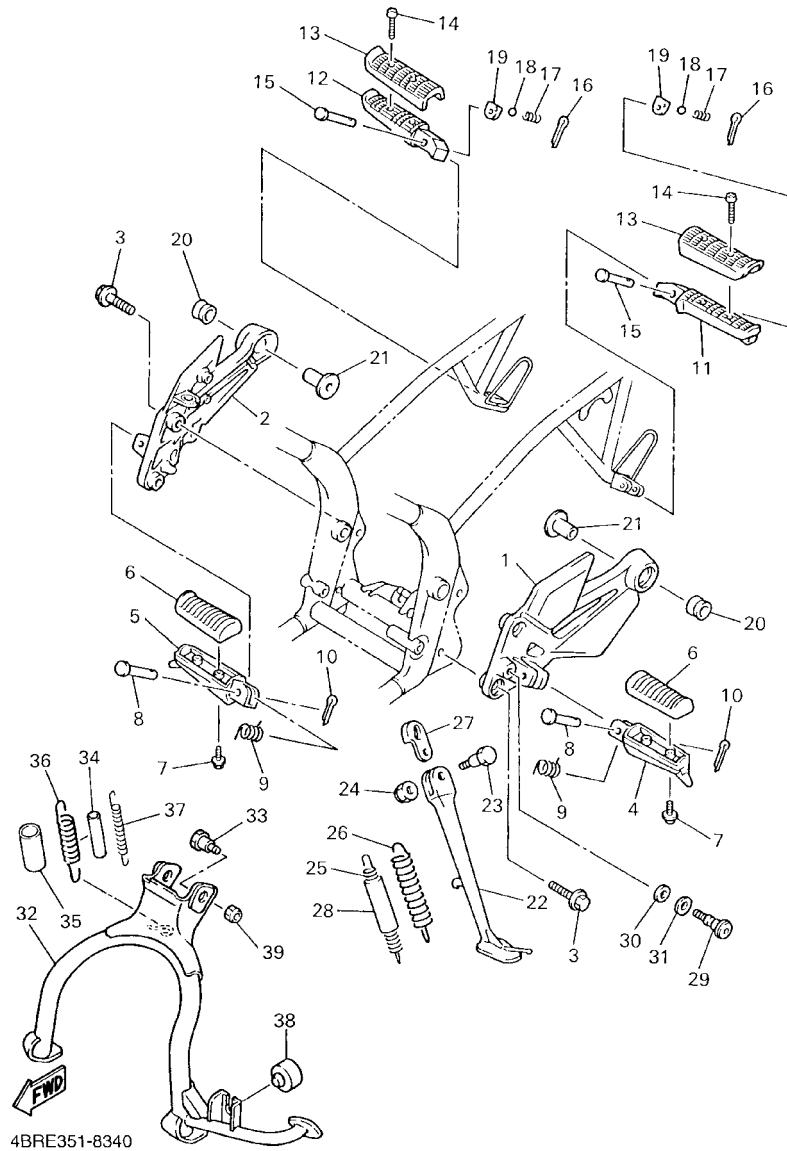
REF. NO.	PART NO.	DESCRIPTION	4KED	4MB9	4KF9	REMARKS
1	4BR-W2587-01	MASTER CYLINDER SUB ASSY	1	1	1	
2	3YX-W0041-50	.CYLINDER KIT, MASTER	1	1	1	
3	3YX-25854-00	.DIAPHRAGM, RESERVOIR	1	1	1	
4	3YX-25852-00	.CAP, RESERVOIR	1	1	1	
5	36Y-2589H-00	.SCREW	2	2	2	
6	4BH-83980-00	.FRONT STOP SWITCH ASSY	1	1	1	
7	98506-04012	.SCREW, PAN HEAD	2	2	2	
8	92906-04600	.WASHER, PLATE	2	2	2	
9	3YX-25880-00	.PUSH ROD COMP.	1	1	1	
10	95301-06600	.NUT	1	1	1	
11	3YX-W0091-02	SCREW KIT, MASTERCYLINDER	1	1	1	
12	3YX-25866-00	.CIRCLIP	1	1	1	
13	3YX-25866-10	.CIRCLIP	1	1	1	
14	3YX-2583H-00	.BOOT	1	1	1	
15	3YX-25867-00	BRACKET, MASTER CYLINDER	1	1	1	
16	3YX-83922-00	LEVER 2	1	1	1	
17	3YX-2589F-00	BOLT, LEVER	1	1	1	
18	3YX-25838-00	SLEEVE, CALIPER	1	1	1	
19	95606-06100	NUT, U	1	1	1	
20	95026-06030	BOLT, FLANGE	2	2	2	
21	437-83936-01	BAND, SWITCH CORD	2	2	2	
22	4KA-25872-00	HOSE, BRAKE 1	1	1	1	
23	4KA-25873-00	HOSE, BRAKE 2	1	1	1	
24	90401-10159	BOLT, UNION	2	2	2	
25	90401-10160	BOLT, UNION	1	1	1	
26	90201-10118	WASHER, PLATE	7	7	7	
27	3EN-25875-10	HOLDER, BRAKE HOSE 1	1	1	1	

FIG. 34 STAND, FOOTREST



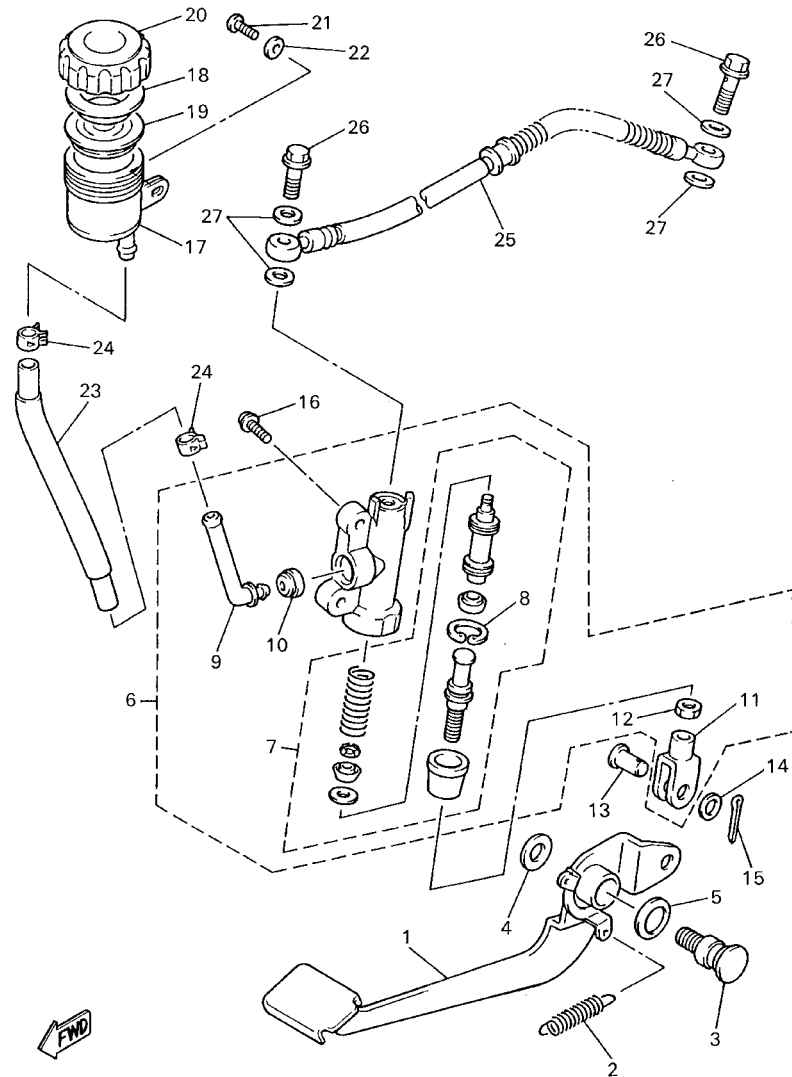
REF. NO.	PART NO.	DESCRIPTION	4KED	4MB9	4KF9	REMARKS
1	4EB-27442-00	BRACKET 2	1	1	1	
2	4EB-27443-00	BRACKET 3	1	1	1	
3	90109-083G1	BOLT	4	4	4	
4	4BP-27451-01	FOOTREST	1	1	1	
5	4BP-27461-01	FOOTREST	1	1	1	
6	4BP-27413-00	COVER, FOOTREST	2	2	2	
7	90157-05079	SCREW, PAN HEAD	4	4	4	
8	90240-08140	PIN, CLEVIS	2	2	2	
9	90508-20572	SPRING, TORSION	2	2	2	
10	91401-25015	PIN, COTTER	2	2	2	
11	4BR-27431-00	FOOTREST, REAR 1	1	1	1	
12	4BR-27441-00	FOOTREST, REAR 2	1	1	1	
13	2GH-27413-00	COVER, FOOTREST	2	2	2	
14	90157-05079	SCREW, PAN HEAD	4	4	4	
15	90240-08141	PIN, CLEVIS	2	2	2	
16	91401-25015	PIN, COTTER	2	2	2	
17	90501-12743	SPRING, COMPRESSION	2	2	2	
18	93501-04011	BALL	2	2	2	
19	4BP-27437-00	WASHER, SPECIAL	2	2	2	
20	2H7-27414-00	DAMPER, FOOTREST	2	2	2	
21	90387-10636	COLLAR	2	2	2	
22	4BP-27311-00	STAND, SIDE	1	1	1	
23	90109-106F9	BOLT	1	1	1	
24	90185-10037	NUT, SELF-LOCKING	1	1	1	
25	90506-18224	SPRING, TENSION	1	1	1	
26	90506-26225	SPRING, TENSION	1	1	1	
27	2KT-27315-00	LINK, SIDE STAND	1	1	1	

FIG. 34 STAND, FOOTREST



REF. NO.	PART NO.	DESCRIPTION	4KED	4MB9	4KF9	REMARKS
28	1TX-27351-00	GUIDE, SIDE STAND	1	1	1	
29	2YK-27434-01	BOLT	1	1	1	
30	90201-08326	WASHER, PLATE	1	1	1	
31	90206-12074	WASHER, WAVE	1	1	1	
32	4BR-27111-00	STAND, MAIN	1	1	1	
33	4EB-27117-00	BOLT, MAIN STAND	2	2	2	
34	90445-170K9	HOSE (L60)	1	1	1	
35	90446-29385	HOSE	1	1	1	
36	90506-40508	SPRING, TENSION	1	1	1	
37	90506-23509	SPRING, TENSION	1	1	1	
38	2GM-27114-00	STOPPER, MAIN STAND	1	1	1	
39	90185-10091	NUT, SELF-LOCKING	2	2	2	

FIG. 35 REAR MASTER CYLINDER

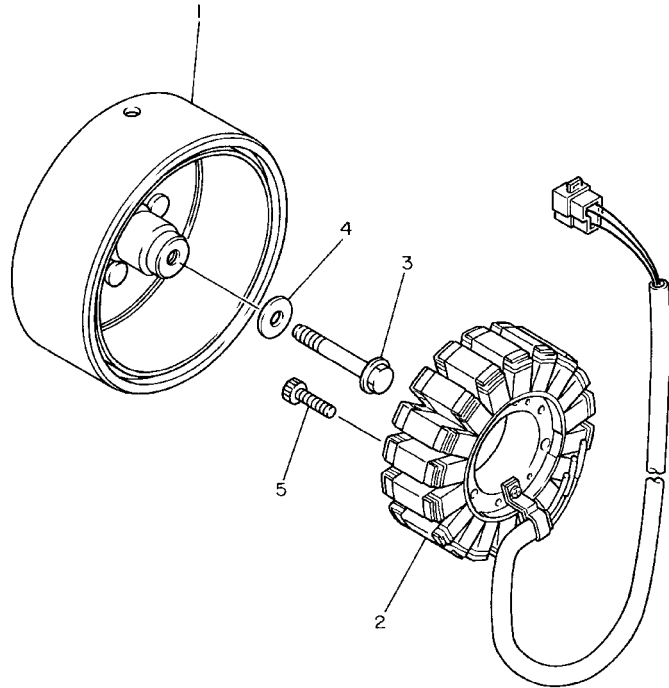


4BR351-6350

REF. NO.	PART NO.	DESCRIPTION	4KED	4MB9	4KF9	REMARKS
1	4EB-27211-00	PEDAL, BRAKE	1	1	1	
2	90506-20192	SPRING, TENSION	1	1	1	
3	4BP-27261-00	SHAFT	1	1	1	
4	92907-10200	WASHER, PLAIN	1	1	1	
5	90206-14086	WASHER, WAVE	1	1	1	
6	4BP-2583V-00	RR. MASTER CYLINDER ASSY.	1	1	1	
7	4BP-W0042-50	.CYLINDER KIT, MASTER	1	1	1	
8	3LN-2585G-00	..CIRCLIP	1	1	1	
9	4BP-2582A-00	.JOINT	1	1	1	
10	4BP-2585F-00	.BUSH	1	1	1	
11	4BP-27222-00	.JOINT	1	1	1	
12	95307-08700	.NUT	2	2	2	
13	90240-08124	PIN, CLEVIS	1	1	1	
14	90201-08083	WASHER, PLATE	1	1	1	
15	91401-20012	PIN, COTTER	1	1	1	
16	92014-08025	BOLT, BUTTON HEAD	2	2	2	
17	31A-25894-01	TANK, RESERVOIR	1	1	1	
18	2GU-25855-00	BUSH,DIAPHRAGM	1	1	1	
19	360-25854-01	DIAPHRAGM, RESERVOIR	1	1	1	
20	2KF-25852-50	CAP, RESERVOIR	1	1	1	
21	98507-06018	SCREW, PAN HEAD	1	1	1	
22	92907-06600	WASHER, PLATE	1	1	1	
23	4BP-25895-01	HOSE, RESERVOIR	1	1	1	
24	90467-14057	CLIP	2	2	2	
25	4BP-2581K-01	HOSE, BRAKE 5	1	1	1	
26	90401-10159	BOLT, UNION	2	2	2	
27	90201-10118	WASHER, PLATE	4	4	4	

FIG. 36 GENERATOR

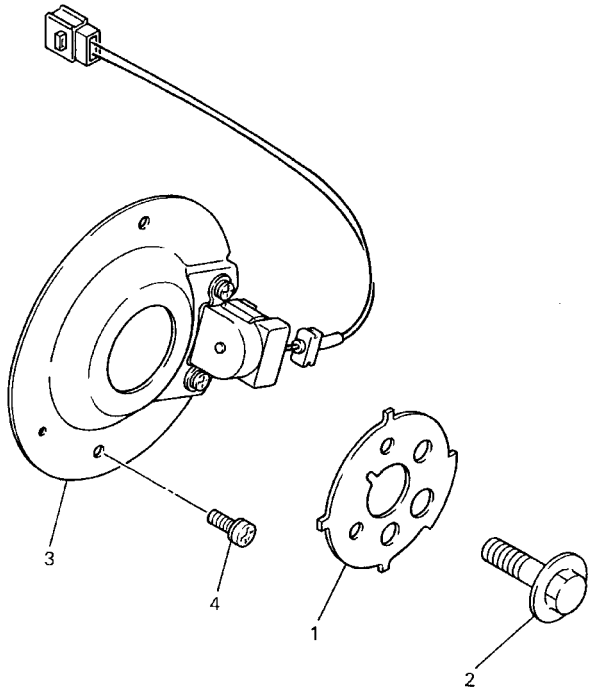
REF. NO.	PART NO.	DESCRIPTION	4KED	4MB9	4KF9	REMARKS
1	4HM-81450-00	ROTOR ASSY	1	1	1	
2	4EB-81410-00	STATOR ASSY	1	1	1	
3	90105-10662	BOLT, FLANGE	1	1	1	
4	90201-10639	WASHER, PLATE	1	1	1	
5	91317-06030	BOLT	3	3	3	



4BP010-1370

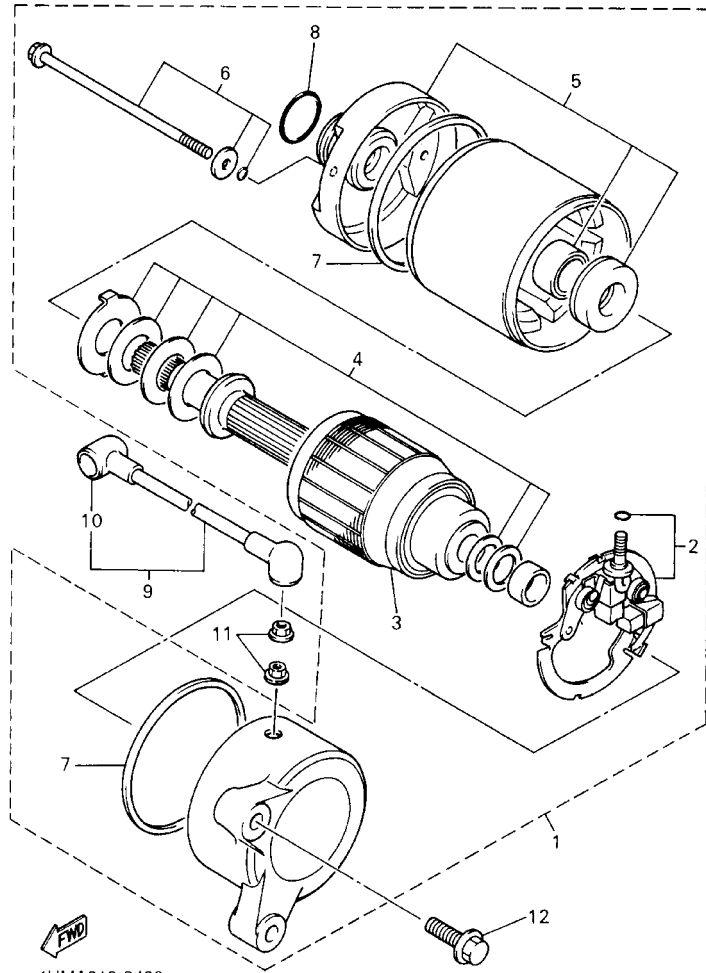
FIG. 37 PICK UP COIL. GOVERNOR

REF. NO.	PART NO.	DESCRIPTION	4KED	4MB9	4KF9	REMARKS
1	4BR-81673-00	ROTOR	1	1	1	
2	90105-10445	BOLT, FLANGE	1	1	1	
3	4BR-81671-00	BASE, PICKUP	1	1	1	
4	90159-06107	SCREW, WITH WASHER	2	2	2	



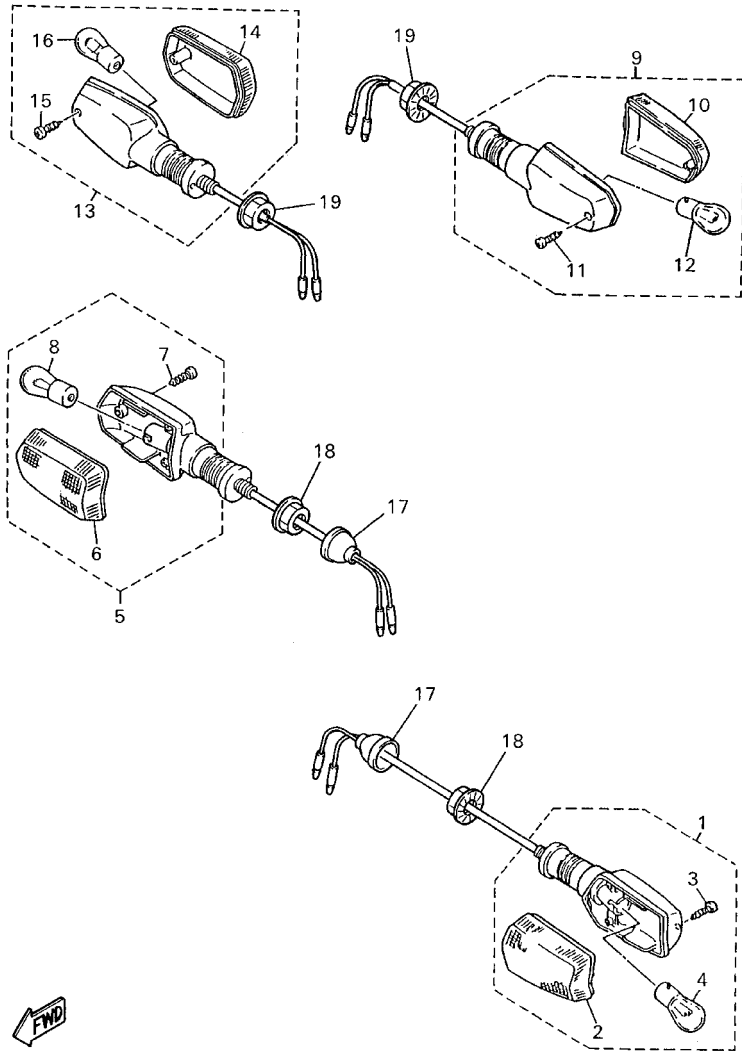

4HK010-3380

FIG. 38 STARTING MOTOR



REF. NO.	PART NO.	DESCRIPTION	4KED	4MB9	4KF9	REMARKS
1	4BR-81890-00	MOTOR ASSY	1	1	1	
2	3KS-81840-00	.BRUSH HOLDER ASSY	1	1	1	
3	3HE-81850-00	.ARMATURE ASSY	1	1	1	
4	3AJ-81809-00	.WASHER KIT	1	1	1	
5	3HE-81830-00	.FRONT BRACKET ASSY	1	1	1	
6	3HE-81826-00	.BOLT	2	2	2	
7	11H-81844-00	.GASKET	2	2	2	
8	1FK-81847-00	.O-RING	1	1	1	
9	4BP-81815-00	CORD, STARTER MOTOR	1	1	1	
10	4G0-81871-00	.CAP	1	1	1	
11	4XV-8182A-00	NUT	2	2	2	
12	95824-06025	BOLT, FLANGE	2	2	2	

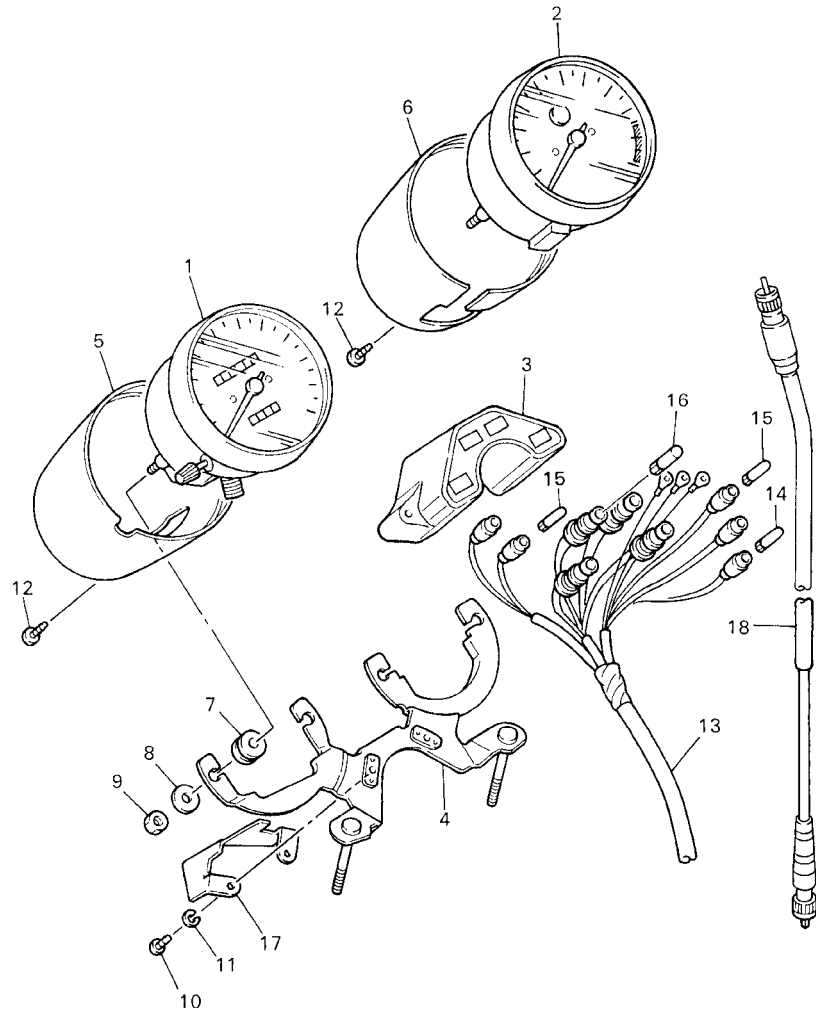
FIG. 39 FLASHER LIGHT



4KE351-4390

REF. NO.	PART NO.	DESCRIPTION	4KED	4MB9	4KF9	REMARKS
1	51J-83310-00	FRONT FLASHER LIGHT ASSY 1	1	1	1	
2	51L-83332-01	.LENS, FLASHER	1	1	1	
3	97707-40620	.SCREW, TAPPING	1	1	1	
4	306-83311-40	.BULB, FLASHER (12V-21W)	1	1	1	
5	51J-83320-00	FRONT FLASHER LIGHT ASSY 2	1	1	1	
6	51L-83342-01	.LENS, FLASHER 2	1	1	1	
7	97707-40620	.SCREW, TAPPING	1	1	1	
8	306-83311-40	.BULB, FLASHER (12V-21W)	1	1	1	
9	51J-83330-00	REAR FLASHER LIGHT ASSY 1	1	1	1	
10	1VU-83332-00	.LENS, FLASHER	1	1	1	
11	97707-40620	.SCREW, TAPPING	1	1	1	
12	306-83311-40	.BULB, FLASHER (12V-21W)	1	1	1	
13	51J-83340-00	FLASHER LIGHT ASSY 2	1	1	1	
14	1VU-83342-00	.LENS, FLASHER 2	1	1	1	
15	97707-40620	.SCREW, TAPPING	1	1	1	
16	306-83311-40	.BULB, FLASHER (12V-21W)	1	1	1	
17	10V-83365-00	CAP	2	2	2	
18	95307-12600	NUT	2	2	2	
19	95707-12500	NUT, FLANGE	2	2	2	

FIG. 40 METER

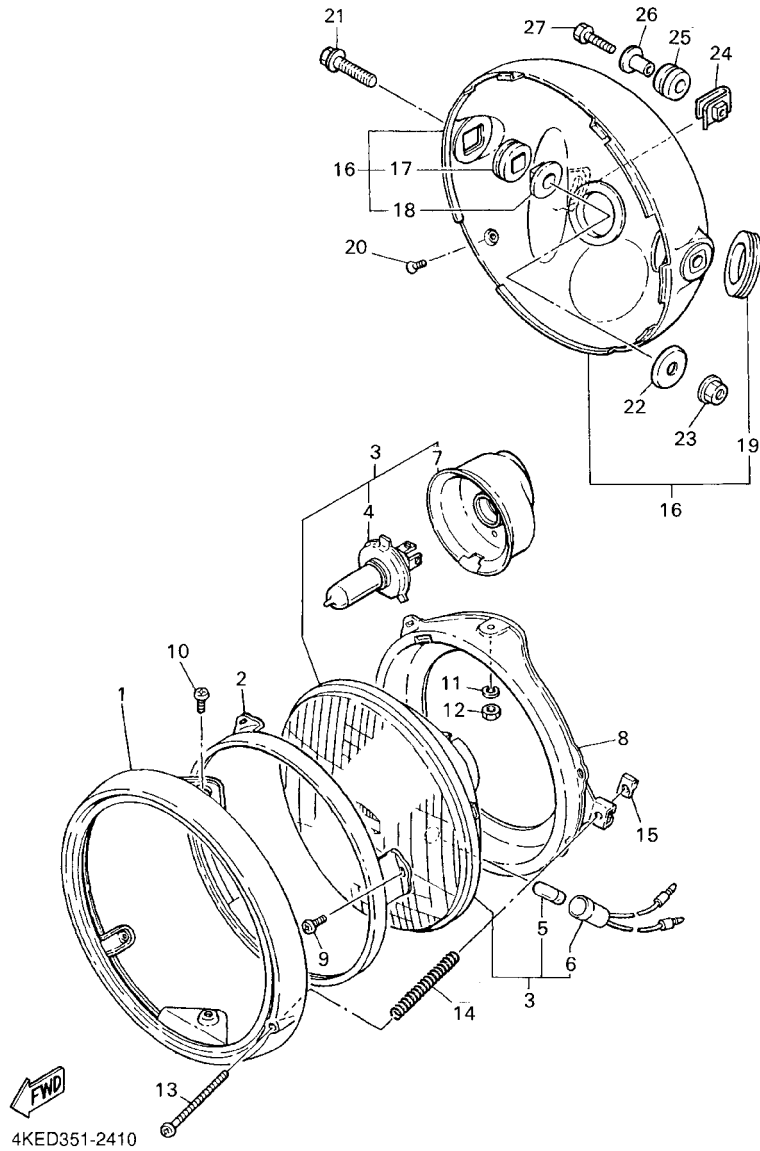


REF. NO.	PART NO.	DESCRIPTION	4KED	4MB9	4KF9	REMARKS
1	4KE-83570-00	SPEEDOMETER ASSY	1	1	1	
	4KE-83570-10	SPEEDOMETER ASSY	1	1		FOR GBR
2	4KE-83540-60	TACHOMETER ASSY	1	1	1	
3	4KE-83530-20	PILOT LIGHT ASSY	1	1	1	
4	4KE-83519-00	BRACKET, METER	1	1	1	
5	42X-83507-00	COVER, SPEEDOMETER	1	1	1	METALLIC CHROME
6	42X-83508-00	COVER, TACHOMETER	1	1	1	METALLIC CHROME
7	1FG-83523-00	DAMPER	4	4	4	
8	90201-05031	WASHER, PLATE	4	4	4	
9	95307-05600	NUT	4	4	4	
10	98507-04012	SCREW, PAN HEAD	2	2	2	
11	92907-04100	WASHER, SPRING	2	2	2	
12	90164-04009	SCREW, TAPPING	2	2	2	
13	4KE-83509-40	SOCKET CORD ASSY	1	1	1	
14	42X-83517-00	BULB (12V-3W)	1	1	1	
15	2GV-83517-00	BULB (12V-1.7W, T6.5)	4	4	4	
16	4R0-83517-00	BULB (12V-3.4W T10)	4	4	4	
17	4KE-83579-00	COVER, METER 2	1	1	1	
18	3MA-83550-02	SPEEDOMETER CABLE ASSY	1	1	1	



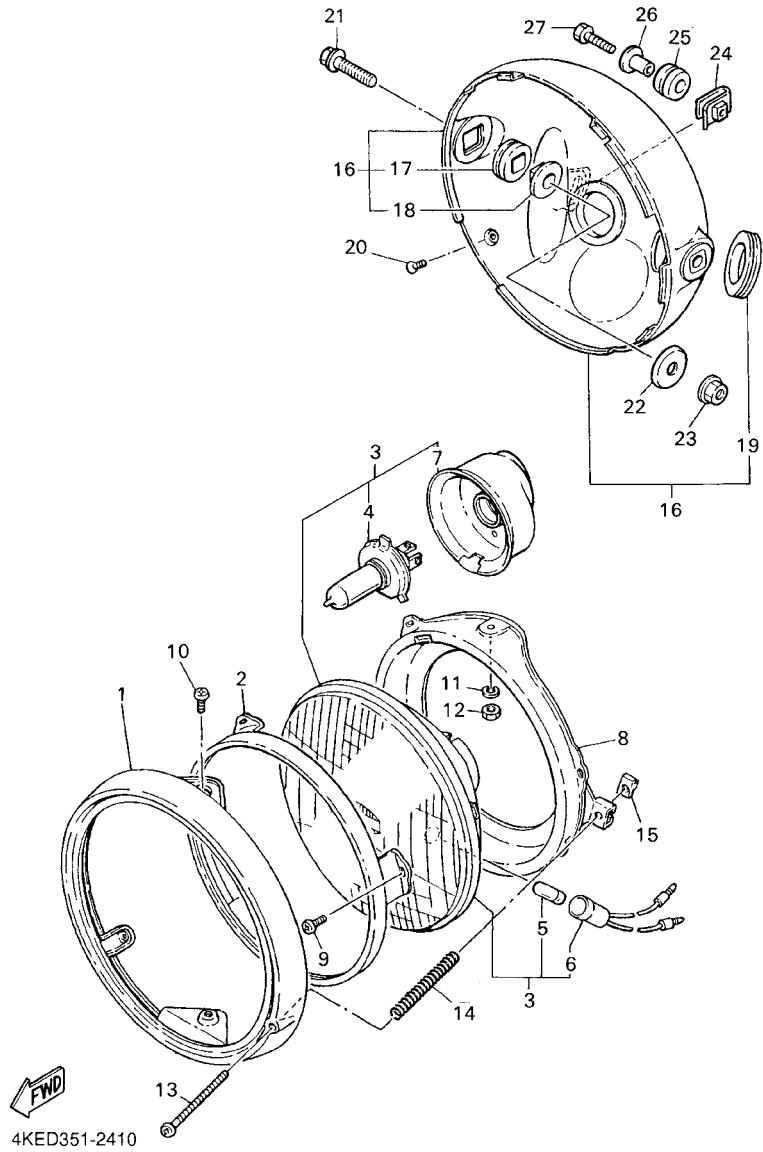
4KED351-2400

FIG. 41 HEADLIGHT



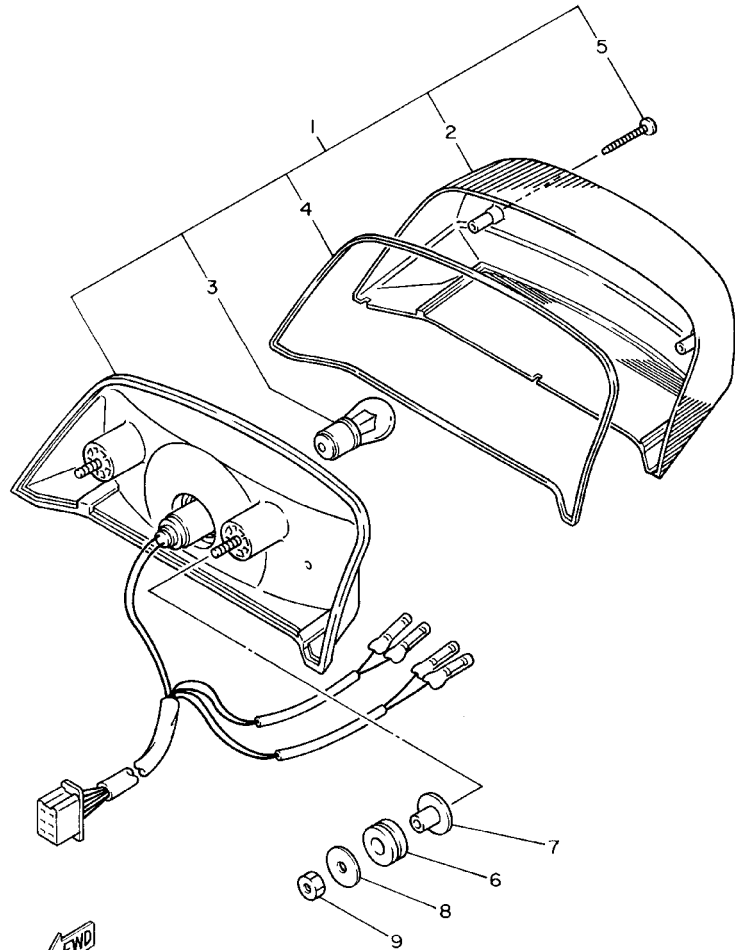
REF. NO.	PART NO.	DESCRIPTION	4KED	4MB9	4KF9	REMARKS
1	341-84315-40	RIM, HEADLIGHT	1	1	1	
2	2F9-84395-00	RING, RETAINING	1	1	1	
3	4KE-84320-00	LENS ASSY	1	1	1	
	4KE-84320-10	LENS ASSY	1	1		FOR GBR
4	*	.BULB (12V-60/55W)	1	1	1	LM (H4)HALOGEN
5	*	.BULB (12V-4W)	1	1	1	LM
6	306-84346-40	.SOCKET, PILOT LIGHT	1	1	1	
7	3SX-84397-00	.COVER, SOCKET	1	1	1	
8	2F9-84394-00	RING, MOUNTING	1	1	1	
9	98502-04008	SCREW, PAN HEAD	3	3	3	
10	1JK-84365-09	SCREW	2	2	2	
11	92902-05100	WASHER, SPRING	2	2	2	
12	95302-04600	NUT	2	2	2	
13	2F9-84331-00	SCREW, RIM ADJUSTING	1	1	1	
14	341-84332-60	SPRING, SCREW	1	1	1	
15	198-84334-60	NUT, ADJUSTING	1	1	1	
16	1JK-84330-00-93	BODY ASSY	1	1	1	CM
17	584-84345-60	.DAMPER, HEADLIGHT	2	2	2	
18	584-84338-60	.COLLAR, BODY FITTING	2	2	2	
19	214-84153-60	.GROMMET, WIREHERNESS	3	3	3	
20	98704-05012	SCREW, FLAT HEAD	2	2	2	
21	95024-08030	BOLT, FLANGE	2	2	2	
22	90209-08098	WASHER	2	2	2	
23	95707-08500	NUT, FLANGE	2	2	2	
24	90183-06023	NUT, SPRING	1	1	1	
25	90480-14102	GROMMET	1	1	1	
26	90387-063E6	COLLAR	1	1	1	

FIG. 41 HEADLIGHT



REF. NO.	PART NO.	DESCRIPTION	4KED	4MB9	4KF9	REMARKS
27	97027-06025	BOLT	1	1	1	

FIG. 42 TAILLIGHT

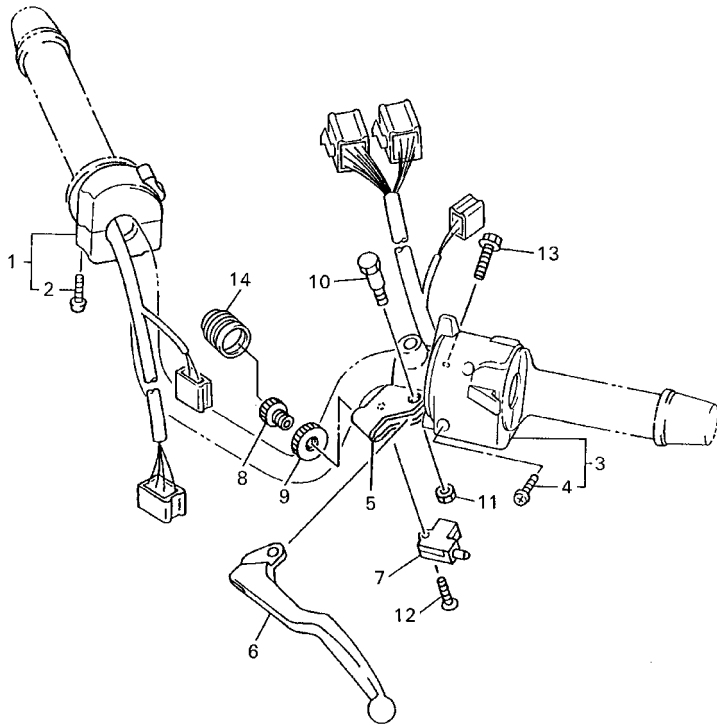


4BP010-1430

REF. NO.	PART NO.	DESCRIPTION	4KED	4MB9	4KF9	REMARKS
1	4BP-84710-00	TAILLIGHT UNIT ASSY	1	1	1	
2	4BP-84721-00	.LENS, TAILLIGHT	1	1	1	
3	137-84714-60	.BULB, TAILLIGHT(12V-21/5W)	1	1	1	
4	4BP-84712-00	.GASKET, TAILLIGHT	1	1	1	
5	4BP-8471J-00	.SCREW, TAILLIGHT	2	2	2	
6	90480-18276	GROMMET	2	2	2	
7	90387-07037	COLLAR	2	2	2	
8	90201-06071	WASHER, PLATE	2	2	2	
9	95307-06600	NUT	2	2	2	

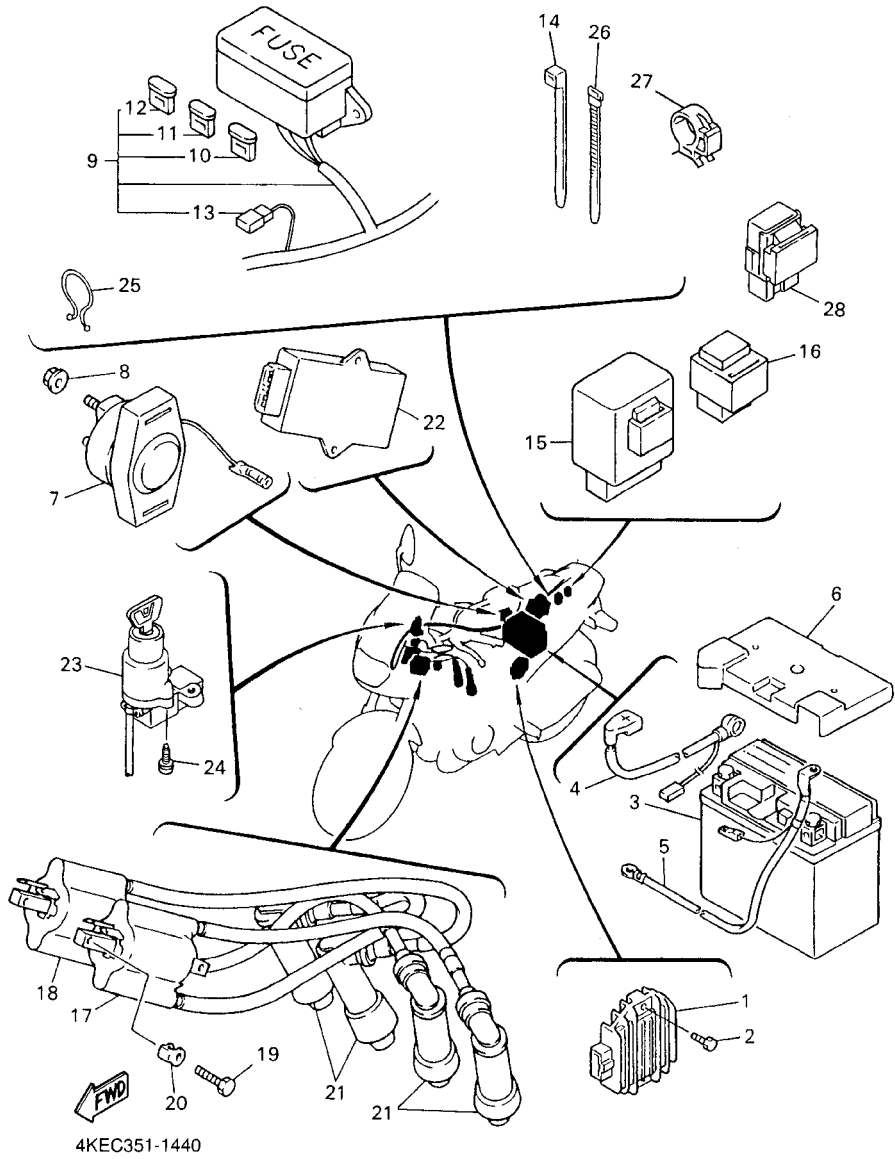
FIG. 43 HANDLE SWITCH. LEVER

REF. NO.	PART NO.	DESCRIPTION	4KED	4MB9	4KF9	REMARKS
1	4KM-83963-00	SWITCH, HANDLE 3 (RIGHT)	1	1	1	
2	98507-05045	.SCREW, PAN HEAD	2	2	2	
3	4EB-83969-00	SWITCH, HANDLE 5	1	1	1	
4	98507-05025	.SCREW, PAN HEAD	2	2	2	
5	4KM-82911-00	HOLDER, LEVER 1	1	1	1	
6	4KM-83912-00	LEVER 1	1	1	1	
7	3YX-82917-00	SWITCH	1	1	1	
8	90123-08096	BOLT	1	1	1	
9	90179-08148	NUT	1	1	1	
10	3YX-83945-00	BOLT, LEVER	1	1	1	
11	95607-06100	NUT, U	1	1	1	
12	98707-03020	SCREW, FLAT HEAD	1	1	1	
13	95027-06020	BOLT, FLANGE	1	1	1	
14	1E6-26342-00	BOOT, CABLE	1	1	1	



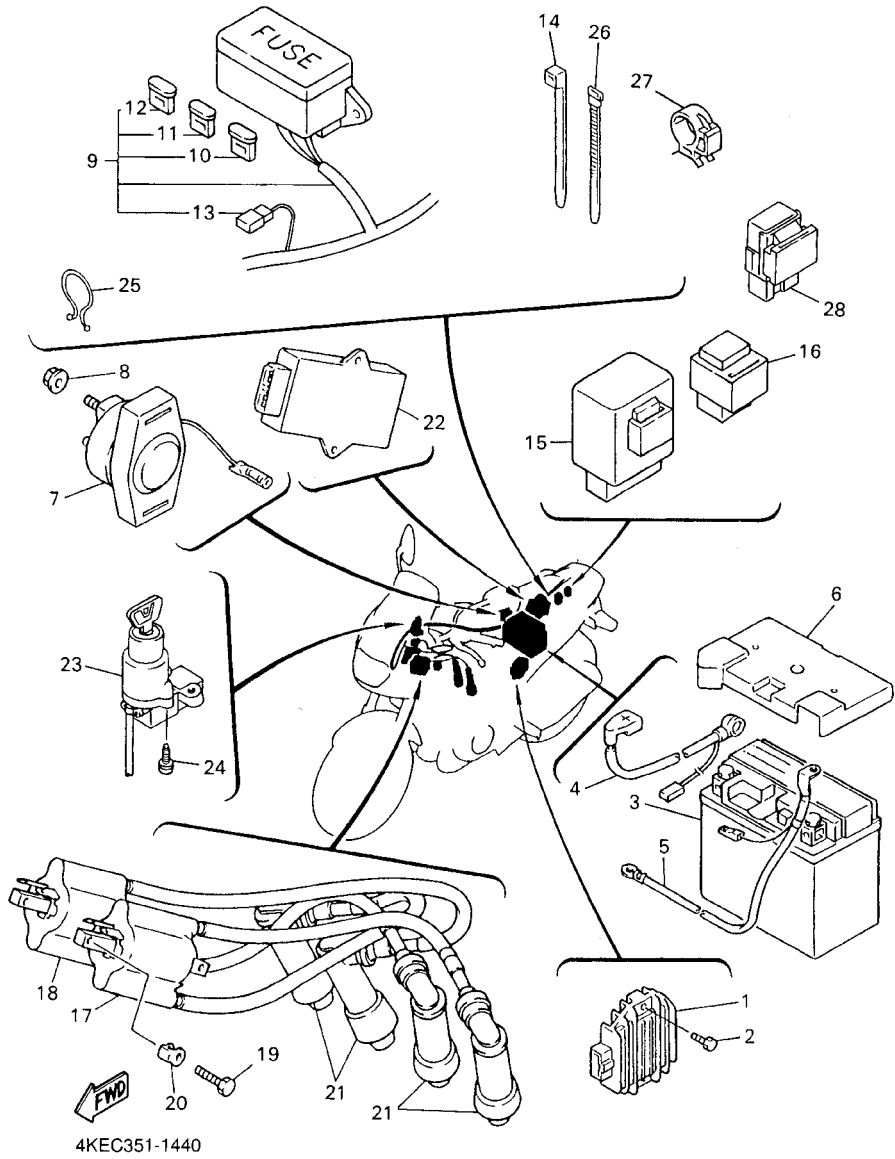
4KE351-6430

FIG. 44 ELECTRICAL 1



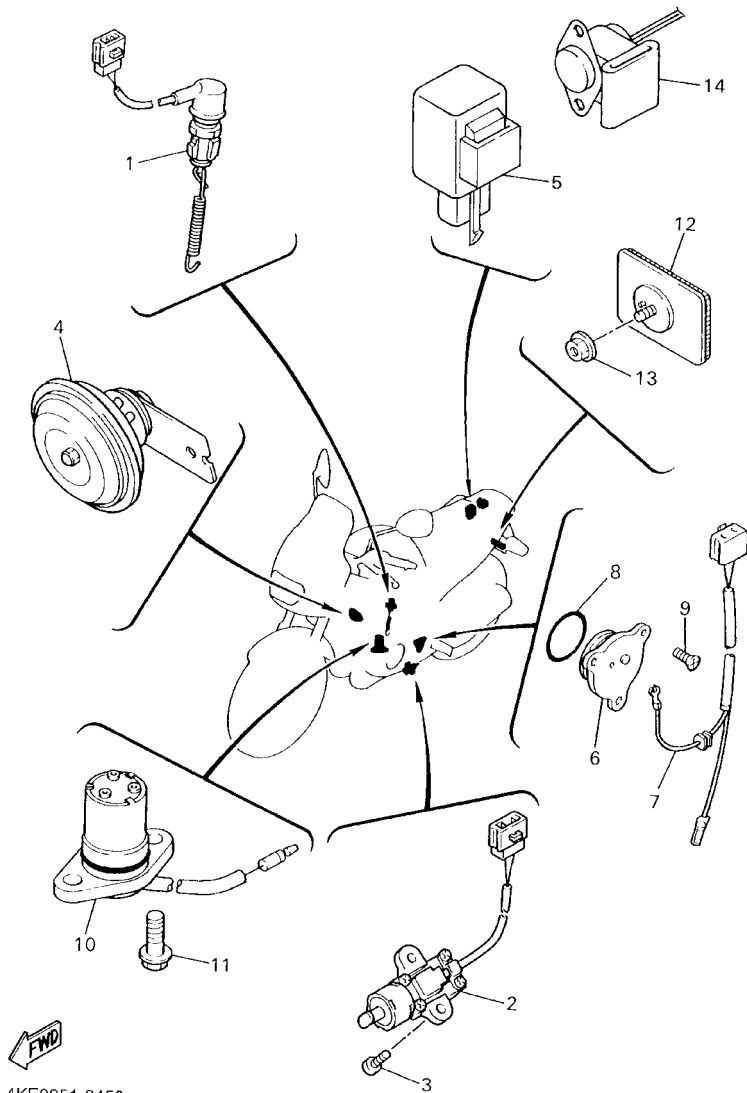
REF. NO.	PART NO.	DESCRIPTION	4KED	4MB9	4KF9	REMARKS
1	4HM-81960-01	RECTIFIER & REGULATOR ASSY	1	1	1	
2	91317-06020	BOLT	2	2	2	
3	3PK-82100-01	BATTERY ASSY (YTX9-BS 12V-8AH)	1	1	1	
4	4EB-82115-00	WIRE, PLUS LEAD	1	1	1	
5	4BP-82116-00	WIRE, MINUS LEAD	1	1	1	
6	4EB-82129-00	COVER, BATTERY	1	1	1	
7	4BP-81940-00	STARTER RELAY ASSY	1	1	1	
8	95707-06500	NUT, FLANGE	2	2	2	
9	4KA-82590-30	WIRE HARNESS ASSY	1	1	1	
10	1AE-82151-00	.FUSE (30A-BL)	2	2	2	
11	36Y-82151-00	.FUSE (15A-BL)	3	3	3	
12	42X-82151-00	.FUSE (10A-BL)	3	3	3	
13	3WP-81980-00	.DIODE ASSY	1	1	1	
14	1UA-82591-00	BAND	7	7	7	
15	3EN-81950-00	RELAY ASSY	1	1	1	
16	4U8-81950-02	RELAY ASSY	1	1	1	
17	4BR-82310-00	IGNITION COIL ASSY	1	1	1	
18	4BR-82320-00	IGNITION COIL ASSY	1	1	1	
19	97080-06020	BOLT	4	4	4	
20	4BR-82317-00	DAMPER, IGNITION COIL	4	4	4	
21	4BP-82370-00	PLUG CAP ASSY	4	4	4	
22	4BR-82305-10	IGNITOR UNIT ASSY	1	1		
	4DG-82305-00	IGNITOR UNIT ASSY			1	
23	4KA-82510-00	MAIN SWITCH ASSY	1	1	1	
24	90109-06616	BOLT	2	2	2	
25	90464-23041	CLAMP	1	1	1	
26	90464-13077	CLAMP	1	1	1	

FIG. 44 ELECTRICAL 1



REF. NO.	PART NO.	DESCRIPTION	4KED	4MB9	4KF9	REMARKS
27	90464-20191	CLAMP	1	1	1	
28	5DM-81950-00	RELAY ASSY	1	1	1	

FIG. 45 ELECTRICAL 2



REF. NO.	PART NO.	DESCRIPTION	4KED	4MB9	4KF9	REMARKS
1	4BP-82530-01	STOP SWITCH ASSY	1	1	1	
2	3LD-82566-70	SWITCH, SIDE STAND	1	1	1	
3	90157-05079	SCREW, PAN HEAD	2	2	2	
4	3TB-83371-01	HORN	1	1	1	
5	3GM-83350-01	FLASHER RELAY ASSY	1	1	1	
6	1L9-82540-00	NEUTRAL SWITCH ASSY	1	1	1	
7	4BP-82509-00	WIRE, SUB LEAD	1	1	1	
8	93210-29196	O-RING	1	1	1	
9	90149-05321	SCREW	3	3	3	
10	4BR-85720-00	OIL LEVEL GAUGE ASSY	1	1	1	
11	95027-06016	BOLT, FLANGE	2	2	2	
12	4KM-85130-00	REAR REFLECTOR ASSY	1	1	1	
13	95707-05500	NUT, FLANGE	1	1	1	
14	3BT-82560-00	THERMO SWITCH ASSY	1	1	1	

NUMERICAL INDEX

PART NO.	GRID NO.	PART NO.	GRID NO.	PART NO.	GRID NO.	PART NO.	GRID NO.	PART NO.	GRID NO.	PART NO.	GRID NO.
3YX-W0041-50	E - 8	4BR-11638-00	B - 4	4BR-12251-00	B - 7	1HX-14231-28	B - 15	1HX-14933-00	B - 14	168-16324-00	C - 10
4BP-W0042-50	E - 12	4BR-11650-00	B - 4	4BR-12252-00	B - 7	620-14231-20	B - 15	4DS-14933-00	B - 14	168-16325-00	C - 10
4EB-W0045-00	E - 3	4H7-11654-00	B - 4	4BR-12682-02	B - 13	1AE-14237-00	B - 15	4BR-14940-00	B - 14	4BR-16340-00	C - 10
51L-W0046-01	E - 6	49A-11656-00	B - 4	4G0-13171-00	C - 5	4HM-14239-00	C - 2	4DG-14940-10	B - 14	4BR-16351-00	C - 10
4FU-W0047-00	E - 3	49A-11656-10	B - 4	4H7-13310-00	B - 8	3LN-14251-00	C - 2	4DS-14940-00	B - 14	3LD-1637A-01	C - 10
51L-W0047-00	E - 6	49A-11656-20	B - 4	4H7-13314-01	B - 8	1AE-14261-00	B - 15	1A8-14953-00	B - 14	4BR-16370-00	C - 10
51L-W0048-00	E - 3	49A-11656-30	B - 4	4G0-13316-00	B - 8	4KG-14285-00	C - 2	1HX-14985-00	B - 15	3JD-16382-00	C - 10
	E - 6	4BR-12111-00	B - 5	4U8-13324-00	C - 10	4BR-14389-00	C - 2	4BR-14987-10	C - 2	1J7-16383-01	C - 10
5KS-W0057-00	E - 3	4BR-12113-00	B - 5	4EB-13325-00	B - 8	4BR-14411-00	B - 12	256-14997-00	B - 14	1J7-16384-00	C - 10
51L-W0057-00	E - 6	4BR-12114-00	B - 5	33M-13336-00	B - 8	4BR-14412-01	B - 12	3EN-14997-00	C - 2	1J7-16385-00	C - 10
3YX-W0091-02	E - 8	4BR-12116-00	B - 5	4H7-13411-02	B - 8	31A-14419-00	B - 12	4BR-15100-01	C - 4	4BR-17121-00	C - 12
4BR-W1543-00	C - 7	33M-12117-00	B - 5	4BR-13412-00	B - 8	4BR-14421-00	B - 12	4G0-15138-00	C - 4	4BR-17131-00	C - 12
3CK-W2470-00	D - 15	1AA-12118-00	B - 5	4BR-13414-00	B - 11	4KA-14425-00	B - 13	4BR-15148-00	C - 4	4BR-17151-00	C - 12
4BR-W2587-01	E - 8	33M-12119-00	B - 5	4BR-13417-00	B - 11	4KE-14426-00	B - 13	4G0-15163-01	C - 5	4BR-17161-01	C - 12
4BP-Y2410-02-02	D - 13	4BR-12121-00	B - 5	3FY-13440-10	B - 11	31A-14435-00	B - 12	4BR-15167-10	C - 4	4BR-17211-00	C - 12
4BP-Y2410-02-04	D - 13	26H-12153-00-J0	B - 6	3TJ-13461-00	B - 11	4BR-14451-00	B - 12	3KM-15189-00	C - 5	4BR-17231-00	C - 12
4BR-11101-10	B - 2	26H-12153-00-Y0	B - 6	4KM-13461-00	B - 9	1AE-14452-00	B - 12	4G0-15316-00	C - 5	4BR-17241-00	C - 12
4KG-1111G-00	B - 2	26H-12168-A0	B - 5	4EB-13464-01	B - 9	4BR-14452-00	B - 12	4G0-15326-00	C - 5	4BR-17251-01	C - 12
4BR-11133-10	B - 2	26H-12168-F0	B - 5	4EB-13465-01	B - 9	4EB-14453-00	B - 12	4BR-15327-00	C - 5	4BR-17261-00	C - 12
4BR-11166-10	B - 12	26H-12168-H0	B - 5	4EB-13470-00	B - 9	31A-14477-00	D - 4	33M-15336-00	C - 5	4BR-17402-01	C - 12
4BR-11181-00	B - 2	26H-12168-K0	B - 5	4KM-13479-00	B - 9	1FN-14565-00	B - 15	4G0-15336-00	C - 5	4BR-17411-00	C - 12
4DU-11191-00	B - 2	26H-12168-M0	B - 5	4G0-13490-01	B - 8	1HX-14565-00	B - 15	33M-15337-00	C - 5	278-17424-01	C - 12
4BR-11193-10	B - 2	26H-12168-R0	B - 5	4KM-13493-00	B - 9	812-14594-00	C - 2	3Y1-15361-00	C - 7	278-17425-00	C - 12
214-11198-01	B - 11	26H-12168-U0	B - 5	4BR-13575-00	B - 12	4BR-14610-02	C - 3	3F9-15362-00	C - 8		C - 13
4BR-11310-01	B - 3	26H-12168-W0	B - 5	4EB-13586-00	B - 12	4BR-14613-00	C - 3	4BR-15381-00	C - 5	4G0-17433-01	C - 12
4BR-11351-01	B - 3	26H-12168-Y0	B - 5	4EB-13596-00	B - 12	4BR-14620-02	C - 3	4G0-15383-00	C - 5		C - 13
4BR-11363-00	C - 4	26H-12168-00	B - 5	4EB-13597-00	B - 12	4EB-14710-02	C - 3	49A-15383-00	C - 14	4BR-17460-00	C - 12
4G0-11363-00	C - 4	26H-12168-20	B - 5	4BR-13598-10	B - 12	4EB-14720-02	C - 3	4BR-15410-00	C - 7	4BR-18110-00	C - 15
4G0-11364-00	C - 4	26H-12168-40	B - 5	3YX-13907-01	D - 14	3VD-14755-00	C - 3	4BR-15411-01	C - 7	4BR-18112-00	C - 15
4G0-11406-00	C - 9	26H-12168-60	B - 5	4DU-1410A-00	B - 15	4DG-1490J-10	B - 14	49A-15412-00	C - 7	132-18113-01	C - 15
4BR-11411-00	B - 4	26H-12168-80	B - 5	1HX-14103-00	C - 2	4DS-1490J-00	B - 14	4EB-15415-01	C - 7	26H-18115-00	C - 15
4BR-11416-00	B - 4	26H-12169-E0	B - 6	12R-14105-00	B - 14	3KW-1490K-00	C - 2	4BR-15420-10	C - 7	4BR-18120-00	C - 15
4BR-11416-10	B - 4	26H-12169-G0	B - 6	3CF-14107-10	B - 15	4BR-1490L-00	C - 2	4BR-15441-00	C - 8	4BR-18127-00	C - 14
4BR-11416-20	B - 4	26H-12169-J0	B - 6	22F-14117-00	C - 2	4BR-14900-22	B - 14	4BR-15461-00	C - 7	4BR-18140-00	C - 14
4BR-11416-30	B - 4	26H-12169-L0	B - 6	4DU-14125-00	C - 2	4DG-14900-21	B - 14	4BR-15463-00	C - 7	2H9-18154-00	C - 15
4BR-11416-40	B - 4	26H-12169-N0	B - 6	1HX-14131-00	C - 2	4DS-14900-21	B - 14	4BR-15484-00	C - 7	4BR-18185-00	C - 14
4BR-11474-00	C - 9	26H-12169-T0	B - 6	3DM-14141-30	B - 15	4BR-14901-22	B - 14	4BP-15512-00	C - 9	4BR-18511-00	C - 14
4BR-11492-00	C - 5	26H-12169-10	B - 5	22F-14142-12	B - 15	4DG-14901-21	B - 14	4HM-15517-00	C - 9	4BR-18512-00	C - 14
4BR-11537-00	C - 9	26H-12169-30	B - 5	22F-14142-15	B - 15	4DS-14901-21	B - 14	33M-15521-00	C - 9	4BR-18513-00	C - 14
4G0-11575-00	C - 5	26H-12169-50	B - 5	22F-14142-17	B - 15	4BR-14902-22	B - 14	4BR-15570-00	C - 9	4BR-18531-00	C - 14
4G0-11592-00	C - 5	26H-12169-70	B - 5	1HX-14147-00	B - 15	4DG-14902-21	B - 14	4BR-15580-01	C - 9	4BR-18536-00	C - 14
46X-11597-00	C - 6	26H-12169-90	B - 5	137-14153-00	B - 15	4DS-14902-21	B - 14	117-15644-00	C - 14	4BR-18540-03	C - 14
4BR-11610-01	B - 4	4BR-12171-00	B - 7	353-14186-00	B - 15	4BR-14903-22	B - 14	4U8-16111-00	C - 9	4UN-18542-00	C - 14
4BR-11610-21	B - 4	4BR-12176-00	B - 7	12R-14191-00	B - 15	4DG-14903-21	B - 14	4BR-16139-00	C - 9	4UN-18566-00	C - 14
4BR-11610-41	B - 4	4BR-12181-00	B - 7	4HM-14216-00	C - 2	4DS-14903-21	B - 14	3Y1-16154-00	C - 10	4KA-21110-10-P2	D - 2
4BR-11631-00-A0	B - 4	4BR-12210-00	B - 7	1AE-14227-00	B - 15	4BR-14904-22	B - 14	4BR-16155-10	C - 9	4KA-21110-10-35	D - 2
49A-11633-00	B - 4	4BR-12213-00	B - 7	1HX-14231-26	B - 15	4DG-14904-21	B - 14	4U8-16170-01	C - 10	4BP-2117F-00	D - 2
4BR-11636-00	B - 4	4BR-12241-00	B - 7	1HX-14231-27	B - 15	4DS-14904-21	B - 14	4H7-16321-02	C - 10	4BP-2117M-00	D - 2

NUMERICAL INDEX

PART NO.	GRID NO.	PART NO.	GRID NO.	PART NO.	GRID NO.	PART NO.	GRID NO.	PART NO.	GRID NO.	PART NO.	GRID NO.
4BP-21315-00	D - 2	4EB-23136-10	D - 11	3HE-24524-00	D - 14	2GU-25855-00	E - 12	4BP-27437-00	E - 10	4KA-82510-00	F - 8
4BP-21316-00	D - 2	4EB-23141-10	D - 11	3AJ-24534-00	D - 13	3YX-25866-00	E - 8	4BR-27441-00	E - 10	4BP-82530-01	F - 10
3SX-2135F-00	D - 2		D - 12	1FK-24560-00	D - 14	3YX-25866-10	E - 8	4EB-27442-00	E - 10	1L9-82540-00	F - 10
1AA-2143A-00	D - 2	4EB-23144-00	D - 11	4FM-24602-10	D - 13	3YX-25867-00	E - 8	4EB-27443-00	E - 10	3BT-82560-00	F - 10
4BP-21445-01	D - 2	4EB-23145-00	D - 11	4EB-2470F-20	D - 15	4KA-25872-00	E - 8	4BP-27451-01	E - 10	3LD-82566-70	F - 10
4BP-21446-01	D - 2	36Y-23146-10	D - 11	4EB-24730-20	D - 15	4KA-25873-00	E - 8	4BP-27461-01	E - 10	4KA-82590-30	F - 8
4X7-2149Y-00	B - 12	3EN-23149-50	D - 11	4BP-24737-00	D - 15	3EN-25875-10	E - 8	1HX-28100-01	D - 4	1UA-82591-00	D - 2
4BP-21510-00-PC	D - 4		D - 12	22W-24741-00	D - 15	4KA-25875-10	E - 9	4KE-28345-00	D - 2		F - 8
4BP-21510-00-PG	D - 4	26H-23156-00	D - 11	4EB-2478E-00	D - 15	2R8-25876-10	E - 9	36F-28379-00	D - 5	4KM-82911-00	F - 7
1A8-21518-00	D - 4	509-23158-L0	D - 11	4BP-24780-00	D - 15	4KA-25876-10	E - 9	8U9-77162-00	D - 6	3YX-82917-00	F - 7
4BR-21611-02	D - 4		D - 12	4BP-24792-00	D - 15	3YX-25880-00	E - 8	4EB-81410-00	E - 13	51J-83310-00	F - 2
4BR-21621-00	D - 4	4EB-23170-00	D - 11	341-25149-00	E - 2	3YX-2589F-00	E - 8	4HM-81450-00	E - 13	306-83311-40	F - 2
4BP-21644-01	D - 4		D - 12	4EB-25168-00-WN	E - 2	36Y-2589H-00	E - 8	4BR-81671-00	E - 14	51J-83320-00	F - 2
4BP-21645-01	D - 4	4YR-23171-00	D - 11	3GM-25181-03	E - 2	31A-25894-01	E - 12	4BR-81673-00	E - 14	51J-83330-00	F - 2
4EB-21651-00-P6	D - 4	4YR-23173-00	D - 11	4KG-25190-10	E - 2	4BP-25895-01	E - 12	3AJ-81809-00	E - 15	1VU-83332-00	F - 2
4EB-21651-00-P7	D - 4		D - 12	3HE-25338-00-WN	E - 4	4TT-25914-00	E - 3	4BP-81815-00	E - 15	51L-83332-01	F - 2
4EB-2171E-00	D - 6	4KA-23174-00	D - 9	4BP-25364-00	E - 4	3LN-25919-10	E - 6	4XV-81824-00	E - 15	51J-83340-00	F - 2
4EB-2171X-00	D - 6	278-23181-50	D - 11	4BP-25366-00	E - 4	4BP-25919-00	E - 3	1VU-83342-00	F - 2	1VU-83342-00	F - 2
4EB-21711-00-P6	D - 6		D - 12	4BR-25371-01	E - 4	4FL-25924-00	E - 6	3HE-81830-00	E - 15	51L-83342-01	F - 2
4EB-21711-00-P7	D - 6	43F-23188-10	D - 11	4EB-25381-00	E - 5	3YX-25929-00	E - 3	3KS-81840-00	E - 15	3GM-83350-01	F - 10
1YW-21717-01	D - 4		D - 12	4BP-25388-00	E - 4	4TT-25937-00	E - 3	11H-81844-00	E - 15	10V-83365-00	F - 2
3XV-21717-00	D - 15	4PU-2331G-00	D - 12	29L-25398-00	E - 2	4EB-26110-00	E - 7	1FK-81847-00	E - 15	3TB-83371-01	F - 10
4EB-21721-00-P6	D - 6	4KA-23340-00	D - 12		E - 4	36Y-26240-00	E - 7	3HE-81850-00	E - 15	42X-83507-00	F - 3
4EB-21721-00-P7	D - 6	4EB-23356-00	D - 12	29L-25398-10	E - 2	31A-26241-00	E - 7	4GO-81871-00	E - 15	42X-83508-00	F - 3
1JK-21735-00	D - 4	1W1-23416-00	D - 9		E - 4	4JH-26246-00	E - 7	4BR-81890-00	E - 15	4KE-83509-40	F - 3
4KE-21781-50	D - 6	26H-23418-01	D - 9	29L-25398-20	E - 2	3MA-26279-00	E - 9	4BP-81940-00	F - 8	2GV-83517-00	F - 3
4KE-21781-80	D - 6	4KA-23435-00	D - 9		E - 4	4BR-26280-00	E - 7	3EN-81950-00	F - 8	4RO-83517-00	F - 3
4BR-22110-01-WL	D - 7	4H7-23441-00-PO	D - 9	4BP-25446-20	E - 4	3XW-26281-01	E - 7	4U8-81950-02	F - 8	42X-83517-00	F - 3
4X7-22129-00	D - 7	3Y6-23442-00-PO	D - 9	4BP-25448-20	E - 4	3XW-26282-01	E - 7	5DM-81950-00	F - 9	4KE-83519-00	F - 3
3LN-22141-60	D - 7	3FV-23462-00	D - 9	5KS-2580T-00	E - 3	4BR-26290-00	E - 7	4HM-81960-01	F - 8	1FG-83523-00	F - 3
3YX-22151-00	D - 7	134-23484-10	D - 2	5KS-2580U-00	E - 3	4KA-26302-01	E - 7	3WP-81980-00	F - 8	4KE-83530-20	F - 3
3YX-22174-00	E - 4	2GH-24181-00	D - 13	4BP-2580W-00	E - 6	4EB-26331-00	E - 7	3PK-82100-01	F - 8	4KE-83540-60	F - 3
33M-22184-00	D - 7	4BP-24182-00	D - 13	4BP-2581K-01	E - 12	4KA-26335-10	E - 7	4DH-82103-00	B - 15	1JK-83541-00	D - 9
4BR-22210-01	D - 8	2GH-24183-00	D - 13	3LR-2581T-00	E - 3	1E6-26342-00	F - 7	4EB-82115-00	F - 8	3MA-83550-02	F - 3
34L-22216-00	D - 8	3Y6-24183-00	D - 13	3HE-25819-01	E - 5	4BR-27111-00	E - 11	4BP-82116-00	F - 8	4KE-83570-00	F - 3
1KT-22311-00	D - 7	4JH-24183-00	D - 13	4BP-2582A-00	E - 12	2GM-27114-00	E - 11	4EB-82129-00	F - 8	4KE-83570-10	F - 3
4EB-23102-00	D - 11	2GH-24186-00	D - 13	4HM-2582W-00	E - 6	4EB-27117-00	E - 11	18G-82131-00	D - 4	4KE-83579-00	F - 3
4EB-23103-00	D - 11	4BP-24186-00	D - 13	4BP-25827-00	E - 6	4EB-27211-00	E - 12	4BP-82131-00	D - 4	3AB-83790-00	B - 15
4EB-23110-10	D - 11	4BP-24188-00	D - 13	3YX-2583H-00	E - 8	4BP-27222-00	E - 12	1AE-82151-00	F - 8	4EB-83790-00	B - 15
3EN-23111-51	D - 11	4BP-24191-00	D - 13	4BP-2583V-00	E - 12	4BP-27261-00	E - 12	36Y-82151-00	F - 8	4KM-83912-00	F - 7
	D - 12	4EB-24216-00	D - 14	3YX-25838-00	E - 8	4BP-27311-00	E - 10	42X-82151-00	F - 8	3YX-83922-00	E - 8
4YR-23118-00	D - 11	4EB-24311-00	D - 14	341-25846-00	E - 2	2KT-27315-00	E - 10	4BR-82305-10	F - 8	437-83936-01	E - 8
	D - 12	4EB-24313-00	D - 14	4BP-2585F-00	E - 12	1TX-27351-00	E - 11	4DG-82305-00	F - 8	3YX-83945-00	F - 7
4DN-23121-00	D - 9	4BR-24366-00	D - 14	3LN-2585G-00	E - 12	2GH-27413-00	E - 10	4BR-82310-00	F - 8	4KM-83963-00	F - 7
4KM-23123-01	D - 12	4EB-24398-00	D - 14	2KF-25852-50	E - 12	4BP-27413-00	E - 10	4BR-82317-00	F - 8	4EB-83969-00	F - 7
4FM-23125-40	D - 11	4BP-24500-01	D - 13	3YX-25852-00	E - 8	2H7-27414-00	E - 10	4BR-82320-00	F - 8	4BH-83980-00	E - 8
4EB-23126-10	D - 11	4X8-24512-00	D - 13	3YX-25854-00	E - 8	4BR-27431-00	E - 10	4BP-82370-00	F - 8	214-84153-60	F - 4
4DN-23131-00	D - 9	3AJ-24523-00	D - 13	360-25854-01	E - 12	2YK-27434-01	E - 11	4BP-82509-00	F - 10	341-84315-40	F - 4

NUMERICAL INDEX

PART NO.	GRID NO.	PART NO.	GRID NO.	PART NO.	GRID NO.	PART NO.	GRID NO.	PART NO.	GRID NO.	PART NO.	GRID NO.
4KE-84320-00	F - 4	90110-06043	C - 5	90185-16127	E - 5	90269-04003	D - 2	90462-08078	B - 11	90560-12211	C - 15
4KE-84320-10	F - 4		C - 6	90201-04018	D - 4	90338-08226	D - 4	90462-08087	C - 6	90560-17241	E - 2
1JK-84330-00-93	F - 4	90111-06010	C - 7	90201-05031	F - 3	90338-10132	D - 6	90462-10066	B - 9	91314-08030	D - 9
2F9-84331-00	F - 4	90116-08338	C - 4	90201-06071	F - 6	90338-48229	C - 4	90462-12140	B - 9	91314-08040	D - 12
341-84332-60	F - 4	90116-08339	C - 4	90201-06557	D - 5	90340-14132	B - 11	90464-10190	D - 2	91317-05010	D - 13
198-84334-60	F - 4	90116-08340	C - 4		D - 9	90384-18157	D - 8	90464-13077	F - 8	91317-06010	C - 7
584-84338-60	F - 4	90116-08360	B - 2	90201-080L8	B - 7	90387-060M9	B - 13	90464-15157	D - 4	91317-06016	B - 9
584-84345-60	F - 4	90116-08566	C - 4	90201-080S8	C - 2	90387-06299	D - 13	90464-15192	D - 3		C - 5
306-84346-40	F - 4	90116-10485	E - 4	90201-08083	E - 12	90387-063E6	F - 4	90464-18205	D - 14	91317-06020	B - 12
1JK-84365-09	F - 4	90119-06044	D - 4	90201-08326	E - 11	90387-064Y1	C - 7	90464-20191	F - 9		F - 8
2F9-84394-00	F - 4		D - 7	90201-08366	B - 2	90387-06554	D - 9	90464-23041	F - 8	91317-06025	B - 7
2F9-84395-00	F - 4	90119-06213	D - 13		C - 4	90387-06676	D - 9	90464-25217	D - 3		B - 9
3SX-84397-00	F - 4	90123-08096	F - 7	90201-08382	B - 3	90387-067K8	B - 9	90465-10290	C - 6	91317-06030	B - 8
4BP-8471J-00	F - 6	90149-05321	C - 14	90201-08609	B - 2	90387-07037	F - 6	90467-08021	D - 14		B - 11
4BP-84710-00	F - 6		F - 10	90201-10118	E - 8	90387-07038	B - 9	90467-09006	D - 14		E - 13
4BP-84712-00	F - 6	90149-06008	D - 13		E - 12	90387-083Y8	D - 7	90467-10041	B - 12	91317-06035	E - 7
137-84714-60	F - 6	90149-06228	D - 15	90201-10119	C - 11	90387-10636	E - 10		D - 14	91317-06040	B - 11
4BP-84721-00	F - 6	90149-06298	D - 2	90201-10639	E - 13	90387-123X6	D - 8	90467-12053	D - 14	91401-20012	E - 12
3YF-84751-00	D - 4		D - 9	90201-10669	C - 3	90387-125Y2	C - 6	90467-13071	D - 14	91401-25015	E - 10
4KM-85130-00	F - 10	90150-04041	D - 4	90201-113K2	B - 9	90387-16547	C - 4	90467-14015	B - 13	91401-25020	C - 5
4BR-85720-00	F - 10	90151-06013	C - 14	90201-127J6	C - 15	90387-173L5	E - 5	90467-14057	E - 12	92014-08025	E - 12
4HD-85885-00	C - 2	90151-06014	C - 5	90201-150U6	C - 10	90387-174V8	E - 4	90467-15012	B - 12	92902-05100	F - 4
90101-06576	C - 3	90153-06029	B - 2	90201-15785	C - 10	90387-177K0	E - 4	90467-15054	B - 12	92902-08100	C - 2
90101-12558	D - 8	90154-05059	D - 6	90201-160T2	E - 5	90387-177Y4	E - 2	90468-12006	D - 10	92903-08600	E - 4
90105-06153	B - 2	90157-05079	E - 10	90201-161J3	D - 7	90387-177Y5	E - 5	90480-12320	D - 6	92906-04600	E - 8
90105-06789	C - 10		F - 10	90201-170T3	E - 5	90387-2005R	B - 9	90480-12475	B - 9	92907-04100	F - 3
90105-06790	C - 7	90157-08117	D - 2	90201-200K3	C - 12	90387-2103N	C - 9	90480-12550	D - 2	92907-04200	D - 6
90105-06791	C - 7	90159-06092	C - 10	90201-20276	C - 12	90387-253Y6	C - 9	90480-14023	B - 13	92907-06200	B - 2
90105-06792	C - 7	90159-06107	E - 14	90201-220T0	D - 9	90401-10159	E - 8	90480-14102	F - 4	92907-06600	D - 13
90105-06793	C - 7	90164-04009	F - 3	90202-05193	D - 13		E - 12	90480-14105	D - 9		E - 12
90105-06794	C - 7	90170-06228	C - 15	90202-15153	C - 5	90401-10160	E - 8	90480-14323	D - 3	92907-10200	E - 12
90105-07342	B - 7	90170-20257	C - 10	90202-17211	C - 5	90401-12122	B - 9	90480-16284	B - 9	92907-10600	D - 9
90105-083A9	E - 5	90176-08080	B - 2	90202-24190	D - 9	90401-20162	B - 9	90480-18276	F - 6	92990-06600	C - 3
90105-10445	E - 14	90176-22081	D - 9	90202-26142	D - 9	90430-06014	B - 2	90501-06022	C - 14	93101-32088	B - 4
90105-10638	E - 3	90179-06500	B - 2	90206-12074	E - 11		C - 10	90501-12413	B - 9	93102-12106	C - 15
	E - 6	90179-07307	B - 4	90206-14086	E - 12	90430-06166	C - 4	90501-12743	E - 10	93102-15212	C - 10
90105-10662	E - 13	90179-08148	F - 7	90208-04029	D - 2	90430-10027	C - 5	90501-143A8	C - 6	93102-25017	E - 2
90105-10788	D - 2	90179-08673	C - 3	90209-06339	B - 9	90430-12202	B - 9	90501-23391	C - 10	93102-25044	E - 4
90105-12787	D - 2	90179-10658	D - 2	90209-08098	F - 4	90430-14240	B - 3	90506-08227	C - 15	93102-25253	C - 9
90109-060E9	D - 4	90179-12657	D - 2	90209-08249	C - 3	90445-09683	D - 14	90506-18224	E - 10	93102-35109	C - 12
90109-066F0	B - 2	90179-16319	C - 9	90209-22191	C - 12	90445-103E6	D - 14	90506-20192	E - 12	93105-42024	E - 4
90109-06616	F - 8	90179-18552	C - 12	90214-12070	D - 2	90445-11152	B - 12	90506-23509	E - 11	93105-45017	E - 2
90109-083G1	E - 10	90179-25033	D - 9	90215-19226	C - 9	90445-11699	B - 12	90506-26225	E - 10	93109-12075	C - 7
90109-083G4	E - 3	90183-05024	D - 6	90215-20170	C - 10	90445-144J8	D - 14	90506-40508	E - 11	93109-18020	D - 8
	E - 6	90183-06023	F - 4	90215-23265	C - 12	90445-170K9	E - 11	90508-142A8	C - 10	93210-07540	C - 5
90109-106F9	E - 10	90185-10037	E - 10	90240-08124	E - 12	90446-15233	B - 12	90508-20572	E - 10	93210-09729	C - 4
90109-125F1	D - 8	90185-10091	E - 11	90240-08140	E - 10	90446-29385	E - 11	90508-241A9	C - 14	93210-100A9	B - 9
90110-05112	D - 13	90185-14070	D - 7	90240-08141	E - 10	90460-54085	B - 12	90508-292A0	C - 15	93210-10096	B - 8

NUMERICAL INDEX

PART NO.	GRID NO.	PART NO.	GRID NO.	PART NO.	GRID NO.	PART NO.	GRID NO.	PART NO.	GRID NO.	PART NO.	GRID NO.
93210-11453	C - 4	95024-06025	E - 9	95814-06055	C - 4	98707-04018	D - 14				
93210-13361	B - 8	95024-06030	C - 7	95814-08100	C - 4	98707-06016	C - 14				
93210-207A0	C - 5	95024-06035	C - 7	95814-10040	C - 3	98907-06010	B - 7				
93210-27370	C - 8	95024-06055	C - 7	95814-10050	D - 2	99001-10600	C - 15				
93210-29196	F - 10	95024-06065	C - 7	95817-06010	D - 14	99009-10400	C - 11				
93210-37532	B - 12	95024-08030	C - 3	95817-06030	B - 13	99009-11400	B - 8				
93210-45578	C - 5		F - 4	95817-06035	C - 5		B - 9				
93210-47440	C - 9	95026-06030	E - 8	95817-06040	C - 5	99009-17500	B - 9				
93210-63442	B - 3	95027-06012	E - 9	95817-06065	C - 4	99009-40400	C - 10				
93210-87723	B - 9	95027-06014	D - 14	95817-06095	C - 4	99226-00140	D - 13				
	B - 11		E - 9	95817-06135	C - 4	99227-00140	D - 13				
93306-20309	E - 2	95027-06016	D - 5	95817-08080	C - 4	99246-00080	D - 4				
93306-20314	E - 4		F - 10	95824-06025	E - 15	99247-00080	D - 4				
93306-20545	C - 9	95027-06020	F - 7	95824-10016	D - 2	99510-08016	B - 2				
93306-30317	E - 4	95301-06600	E - 8	95827-06025	B - 9	99530-08016	B - 11				
93306-30525	C - 9	95302-04600	F - 4	95827-08075	B - 7	99530-10014	C - 4				
93306-30530	C - 12	95304-06700	C - 15	97007-06014	C - 9	99530-10114	C - 7				
93306-37207	E - 4	95304-08600	E - 4	97007-06025	D - 13	99530-12016	C - 4				
93306-90503	C - 14	95307-05600	F - 3	97007-08055	D - 13	99530-14016	B - 3				
93311-42045	C - 12	95307-06600	F - 6	97024-06020	C - 15		C - 4				
	C - 13	95307-08700	E - 12	97027-06012	C - 7						
93315-10838	C - 11	95307-10600	D - 10	97027-06025	F - 5						
93315-31502	C - 11	95307-12600	F - 2	97080-06020	F - 8						
93320-32403	D - 7	95317-06600	B - 2	97707-40010	D - 5						
93340-21505	C - 10		B - 10		D - 6						
93399-99931	D - 9	95317-08600	B - 3	97707-40620	F - 2						
93399-99932	D - 9	95606-06100	E - 8	97707-50130	B - 12						
93440-09141	B - 2	95607-04100	D - 4	97707-60016	D - 4						
93440-25084	C - 12	95607-06100	D - 5	98501-04008	B - 15						
	C - 14		F - 7	98501-04014	B - 14						
93450-16068	B - 4	95607-08200	E - 5		B - 15						
93501-04011	E - 10	95607-10200	E - 4	98502-04008	F - 4						
93603-07073	B - 8	95607-12200	D - 8	98502-05008	B - 15						
93603-17070	B - 8	95617-06618	B - 2	98502-05010	C - 2						
93604-10011	B - 4	95617-06630	B - 2	98502-05012	C - 2						
	C - 14	95627-08330	B - 3	98506-04012	E - 8						
93604-12037	C - 14	95707-05500	F - 10	98507-04012	F - 3						
93605-10108	C - 10	95707-06500	B - 9	98507-05025	F - 7						
93900-00022	E - 2		D - 9	98507-05035	E - 7						
	E - 4		D - 15	98507-05045	F - 7						
94111-1707Y	E - 2		F - 8	98507-06016	B - 8						
94113-1807X	E - 4	95707-08500	F - 4	98507-06018	E - 12						
94581-30108	E - 4	95707-10500	C - 3	98507-06025	B - 8						
94581-30110	E - 4	95707-12500	F - 2	98507-06035	B - 8						
94701-00329	B - 2	95804-08035	C - 3	98704-05012	F - 4						
94701-00330	B - 2	95807-06016	D - 7	98706-03008	C - 2						
94890-04144	B - 7	95807-06030	D - 9	98706-05010	C - 2						
95024-06016	D - 4	95814-06045	C - 4	98707-03020	F - 7						

CONTENTS

ENGINE

CYLINDER HEAD	B2
CYLINDER	B3
CRANKSHAFT. PISTON	B4
VALVE	B5
CAMSHAFT. CHAIN	B7
OIL PUMP	B8
OIL COOLER	B9
OIL CLEANER	B11
INTAKE	B12
CARBURETOR	B14
EXHAUST	C3
CRANKCASE	C4
CRANKCASE COVER 1	C7
STARTER CLUTCH	C9
CLUTCH	C10
TRANSMISSION	C12
SHIFT CAM. FORK	C14
SHIFTER	C15

CHASSIS

FRAME	D2
FENDER	D4
SIDE COVER	D6
REAR ARM	D7
REAR SUSPENSION	D8
STEERING	D9
FRONT FORK	D11
FUEL TANK	D13
SEAT	D15
FRONT WHEEL	E2
FRONT BRAKE CALIPER	E3
REAR WHEEL	E4

REAR BRAKE CALIPER	E6
STEERING HANDLE. CABLE	E7
FRONT MASTER CYLINDER	E8
STAND. FOOTREST	E10
REAR MASTER CYLINDER	E12
GENERATOR	E13
PICK UP COIL. GOVERNOR	E14
STARTING MOTOR	E15
FLASHER LIGHT	F2
METER	F3
HEADLIGHT	F4
TAILLIGHT	F6
HANDLE SWITCH. LEVER	F7
ELECTRICAL 1	F8
ELECTRICAL 2	F10

INDEX

NUMERICAL INDEX	M1
-----------------------	----