



PARTS CATALOGUE

XV1600AP (5JA9) AUSTRALIA

YAMAHA
GENUINE
Parts & Accessories

2A5JA-700E1

XV1600AP
PARTS CATALOGUE
©2001 by Yamaha Motor Co., Ltd.
1st Edition, Jul. 2001
All rights reserved.
Any reprinting or unauthorized use
without the written permission of
Yamaha Motor Co., Ltd.
is expressly prohibited.

A3

FOREWORD

This Parts Catalogue is related to the parts for the model(s) in the below frame. When you are ordering replacement parts, please refer to this Parts Catalogue and quote both part numbers and part names correctly.

XV1600AP(5JA9)

1. Modifications or additions which have been made after issue of the Parts Catalogue will be announced in the Yamaha Parts News.
It is advisable that you make necessary corrections to the Parts Catalogue according to the Yamaha Parts News.

2. Abbreviations

The Following abbreviations are used in this Parts Catalogue.

“UR” Use specified parts number.

“UN” Use as many as needed.

“AP” Alternate Parts

“LM” Local Made (Parts need to be ordered locally)

“F#” Frame No. (Applicable machine No.)

3. Parts, which are to be supplied in an assembly, are listed with a dot(.) in front of the part name as shown below.

EXAMPLE

CARBURETOR ASSY

.JET, PILOT

.NOZZLE, MAIN

4. Number of component for assembly

The numeral appearing to the right of each component part indicates the quantity of parts for each assembly unit.

EXAMPLE

PART NO.	DESCRIPTION	Q'TY	REMARKS
2F5-83310-60	FRONT FLASHER LIGHT ASSY	2	
115-83311-60	.BULB (6V-18W)	1	
1M1-83309-60	.REFLECTOR	1	

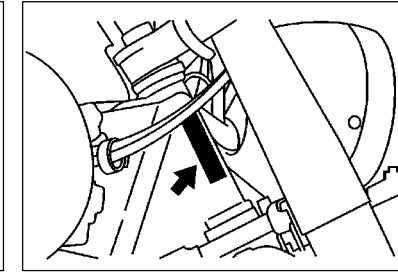
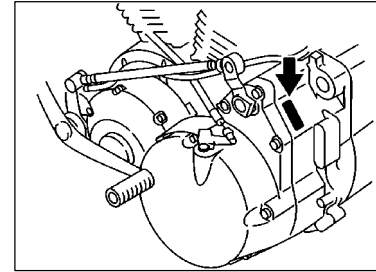
5. Applicable colors of graphics are represented in the “REMARKS” as shown below.

PART NO.	DESCRIPTION	Q'TY	REMARKS
2N4-24110-00-X5	.FUEL TANK COMP.	1	MXR
3J1-24240-10	.GRAPHIC, FUEL TANK	1	FOR MXR

6. Applicable Serial No.

Engine Serial No.

Frame Serial No.



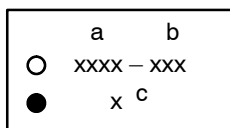
7. Note that the illustrations for reference in finding parts numbers, not to be used for assembling. When assembling, please use the applicable service manual.

8. The asterisk (*) before a reference number indicates modification items after the first edition.

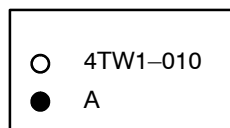
MODEL LABEL

(1) A label called "Model Label" is affixed in the location as indicated in (3) below. When using this parts catalogue, please be sure to cross-refer the "model code – production code No." in the catalogue to the "model code – production code No." indicated on the Model Label affixed onto the product concerned.

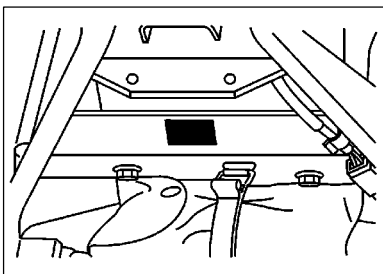
(2) "Model Label" Indication



a: Model Type Code
b: Production Code No.
c: Colouring Type



(3) Model Label Affixing Location



(4) Model Code – Production Code Number of Model Listed in This Parts Catalog

Model Code	Production Code No.	Country (destination)	Model Code	Production Code No.	Country (destination)
5JA9	010	AUSTRALIA			

(5) Colouring Information

Model Code	Colouring type code	Colour code	Colour Name	Abbreviation
5JA9	A	0781	VERY DARK BLUE METALLIC A	VDBMA
	B	00KU	DEEP SCARLET	DPS

CONTENTS

ENGINE

CYLINDER HEAD	B2
CYLINDER	B3
CRANKSHAFT. PISTON	B4
VALVE	B5
CAMSHAFT. CHAIN	B6
OIL PUMP	B8
INTAKE	B10
CARBURETOR	B12
EXHAUST	B14
CRANKCASE	C2
CRANKCASE COVER 1	C4
STARTER	C7
CLUTCH	C8
TRANSMISSION	C10
MIDDLE DRIVE GEAR	C11
SHIFT CAM. FORK	C14
SHIFT SHAFT	C15

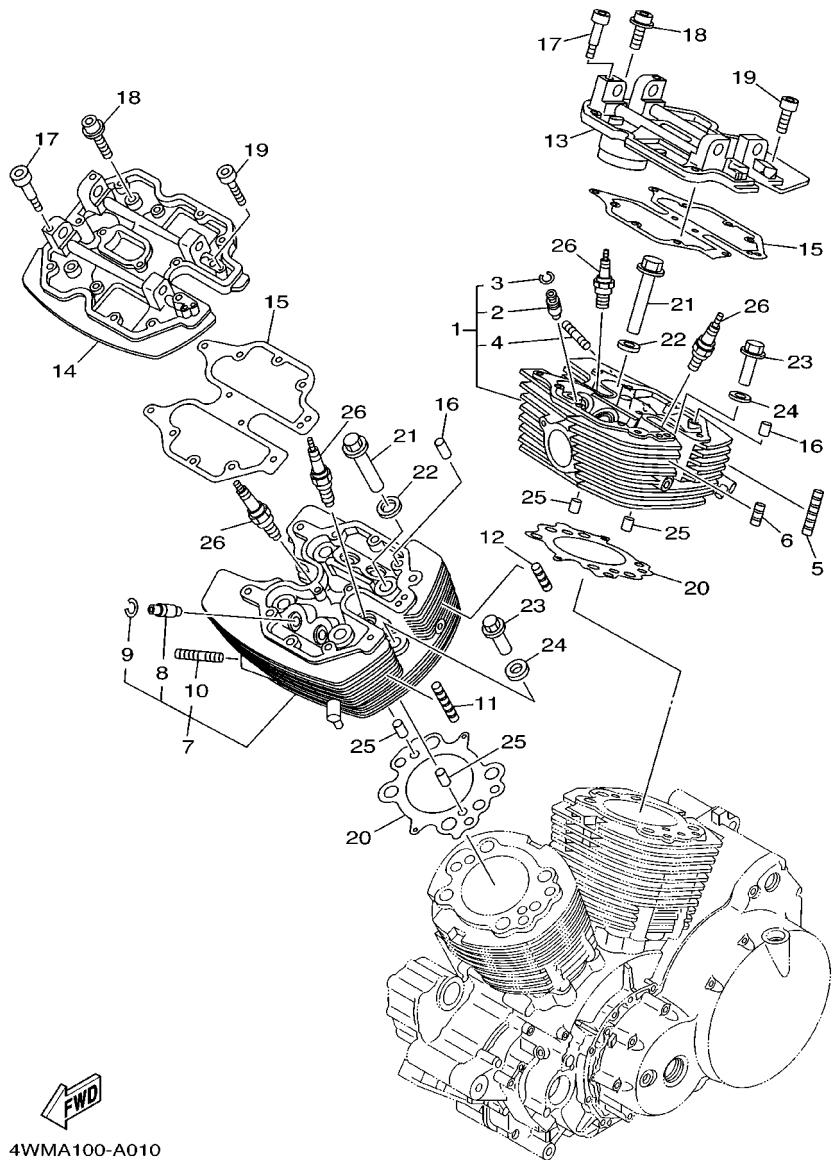
CHASSIS

FRAME	D2
FENDER	D4
SIDE COVER	D5
REAR ARM. SUSPENSION	D7
STEERING	D9
FRONT FORK	D10
FUEL TANK	D12
SEAT	D14
FRONT WHEEL	D15
FRONT BRAKE CALIPER	E2

REAR WHEEL	E3
REAR BRAKE CALIPER	E5
STEERING HANDLE. CABLE	E6
FRONT MASTER CYLINDER	E7
STAND. FOOTREST	E9
REAR MASTER CYLINDER	E11
GENERATOR	E13
FLASHER LIGHT	E14
METER	F2
HEADLIGHT	F3
TAILLIGHT	F4
HANDLE SWITCH. LEVER	F5
ELECTRICAL 1	F6
ELECTRICAL 2	F8

INDEX

NUMERICAL INDEX	M1
-----------------------	----

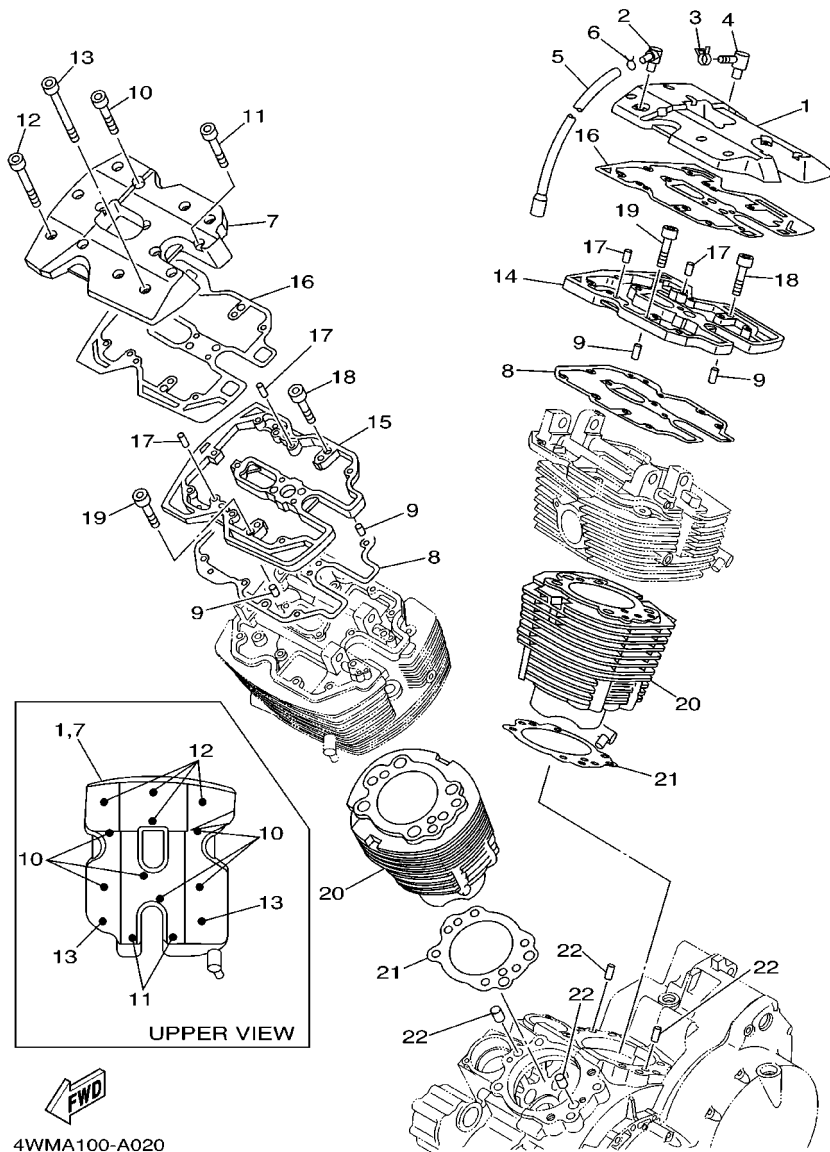


4WMA100-A010

FIG. 1 CYLINDER HEAD

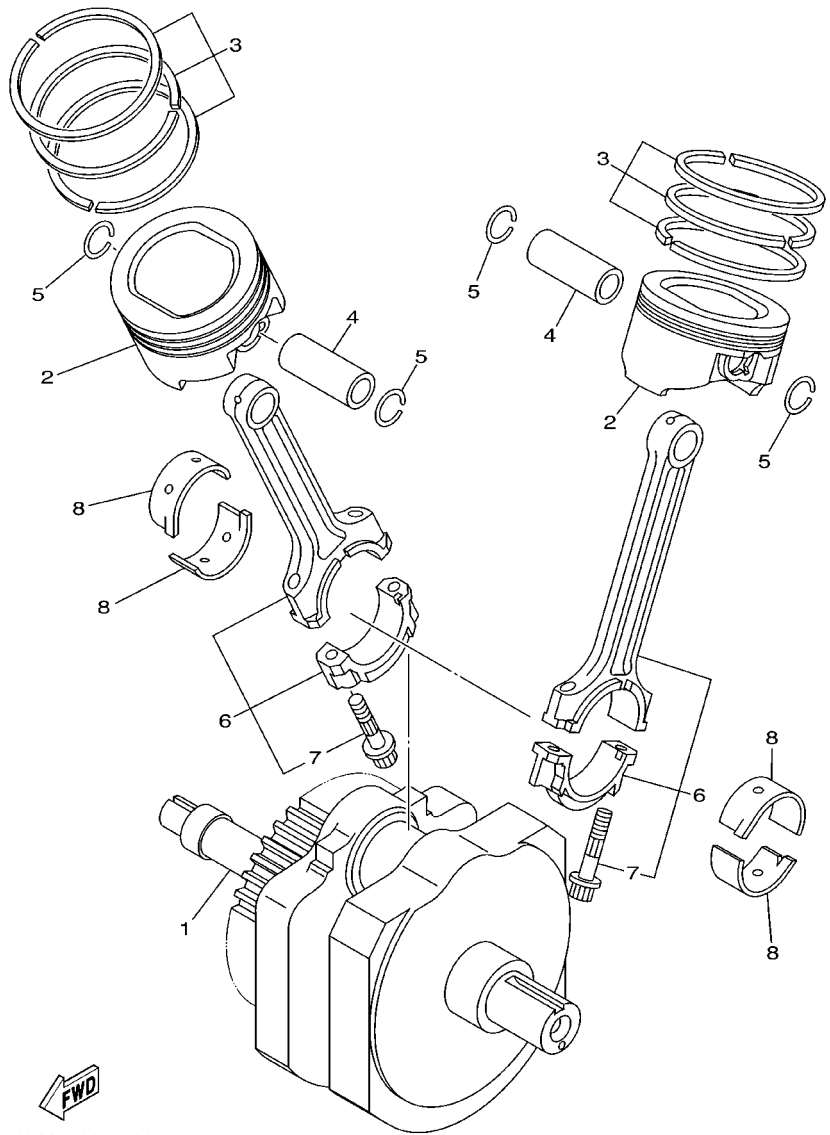
REF. NO.	PART NO.	DESCRIPTION	5JA9				REMARKS
1	4WM-11101-00	CYLINDER HEAD ASSY	1				
2	4WM-11133-10	.GUIDE, INTAKE VALVE	4				
3	93440-12052	.CIRCLIP	4				
4	95617-08625	.BOLT, STUD	2				
5	4WM-11161-00	ABSORBER 1	5				
6	4WM-11162-00	ABSORBER 2	3				
7	4WM-11101-10	CYLINDER HEAD ASSY	1				
8	4WM-11133-10	.GUIDE, INTAKE VALVE	4				
9	93440-12052	.CIRCLIP	4				
10	95617-08625	.BOLT, STUD	2				
11	4WM-11161-00	ABSORBER 1	5				
12	4WM-11162-00	ABSORBER 2	3				
13	4WM-11131-00	HEAD, CYLINDER 3	1				
14	4WM-11141-00	HEAD, CYLINDER 4	1				
15	4WM-11182-00	GASKET, CYLINDER HEAD 2	2				
16	91808-16023	PIN, DOWEL	4				
17	90109-065G0	BOLT	4				
18	90109-067E6	BOLT	4				
19	91314-06045	BOLT	4				
20	4WM-11181-00	GASKET, CYLINDER HEAD 1	2				
21	4WM-11171-00	NUT, HOLDING	8				
22	4WM-11175-00	WASHER, HOLDING 1	8				
23	4WM-11172-00	NUT, HOLDING	4				
24	4WM-11176-00	WASHER, HOLDING	4				
25	90387-087A5	COLLAR	4				
26	94701-00262	PLÜĢ, ŠPARK (NGK DPR7EA9)	4				UR
	94701-00379	PLUG, SPARK (ND X22EPR-U9)	4				UR

FIG. 2 CYLINDER



4WMA100-A020

REF. NO.	PART NO.	DESCRIPTION	5JA9	REMARKS
1	4WM-11191-00	COVER, CYLINDER HEAD 1	1	
2	4GL-15371-00	BREATHER	1	
3	90467-12053	CLIP	1	
4	4WM-11126-00	PIPE, BREATHER 3	1	
5	4WM-11166-00	PIPE, BREATHER 1	1	
6	90467-13042	CLIP	1	
7	4WM-11192-00	COVER, CYLINDER HEAD 2	1	
8	4WM-11193-00	GASKET, HEAD COVER 1	2	
9	91808-16023	PIN, DOWEL	4	
10	90110-06022	BOLT, HEXAGON SOCKET HEAD	12	
11	91314-06035	BOLT	4	
12	91314-06050	BOLT	8	
13	91314-06065	BOLT	4	
14	4WM-1111M-00	COVER 1	1	
15	4WM-1111N-00	COVER 2	1	
16	4WM-11194-00	GASKET, HEAD COVER 2	2	
17	91808-16023	PIN, DOWEL	4	
18	91314-06040	BOLT	10	
19	90110-06023	BOLT, HEXAGON SOCKET HEAD	2	
20	4WM-11311-00	CYLINDER 1	2	
21	4WM-11351-00	GASKET, CYLINDER	2	
22	90387-087A5	COLLAR	4	

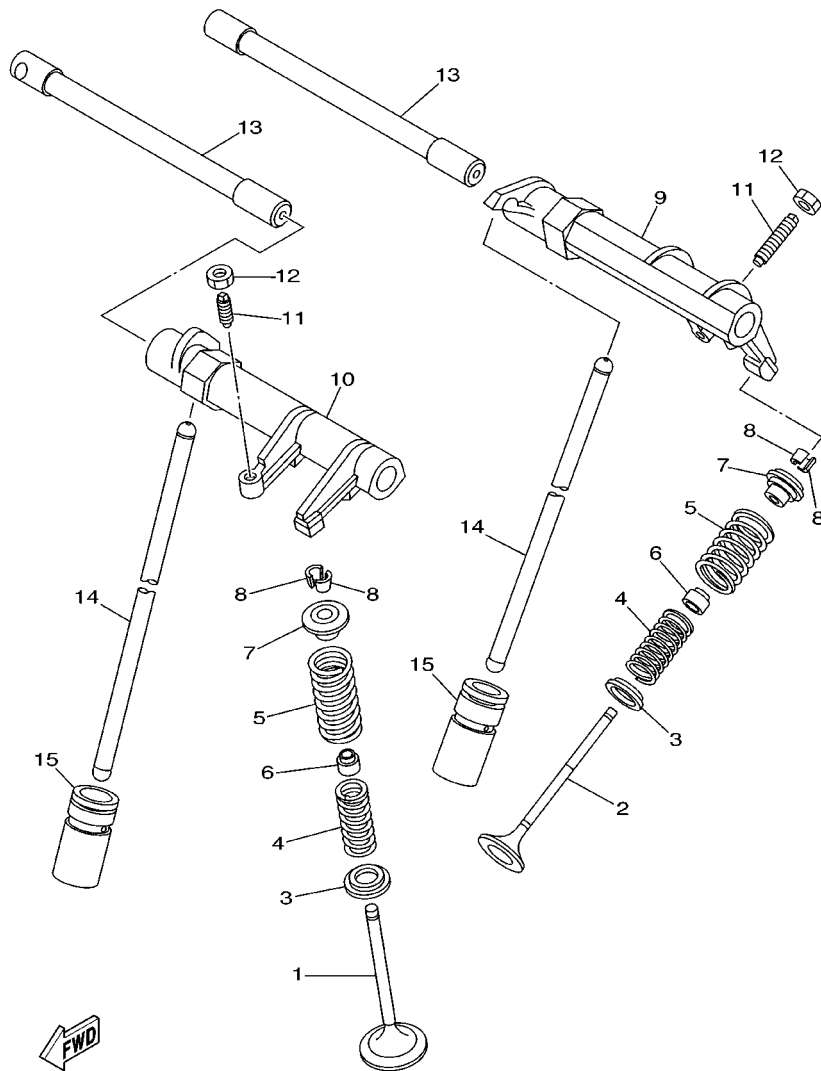


4WM1100-9030

FIG. 3 CRANKSHAFT. PISTON

REF. NO.	PART NO.	DESCRIPTION	5JAG				REMARKS
1	4WM-11400-00	CRANKSHAFT ASSY	1				
2	4WM-11631-00	PISTON (STD)	2				
3	34L-11610-00	PISTON RING SET (STD)	2				
4	4WM-11633-00	PIN, PISTON	2				
5	93450-24028	CIRCLIP	4				
6	4WM-11650-00	CONNECTING ROD ASSY	2				
7	4WM-11654-00	.BOLT, CONNECTING ROD	2				
8	4WM-11656-00	PLANE BEARING, CONNECTING ROD	4				UR BLUE
	4WM-11656-10	PLANE BEARING, CONNECTING ROD	4				UR BLACK
	4WM-11656-20	PLANE BEARING, CONNECTING ROD	4				UR BROWN
	4WM-11656-30	PLANE BEARING, CONNECTING ROD	4				UR GREEN
	4WM-11656-40	PLANE BEARING, CONNECTING ROD	4				UR YELLOW

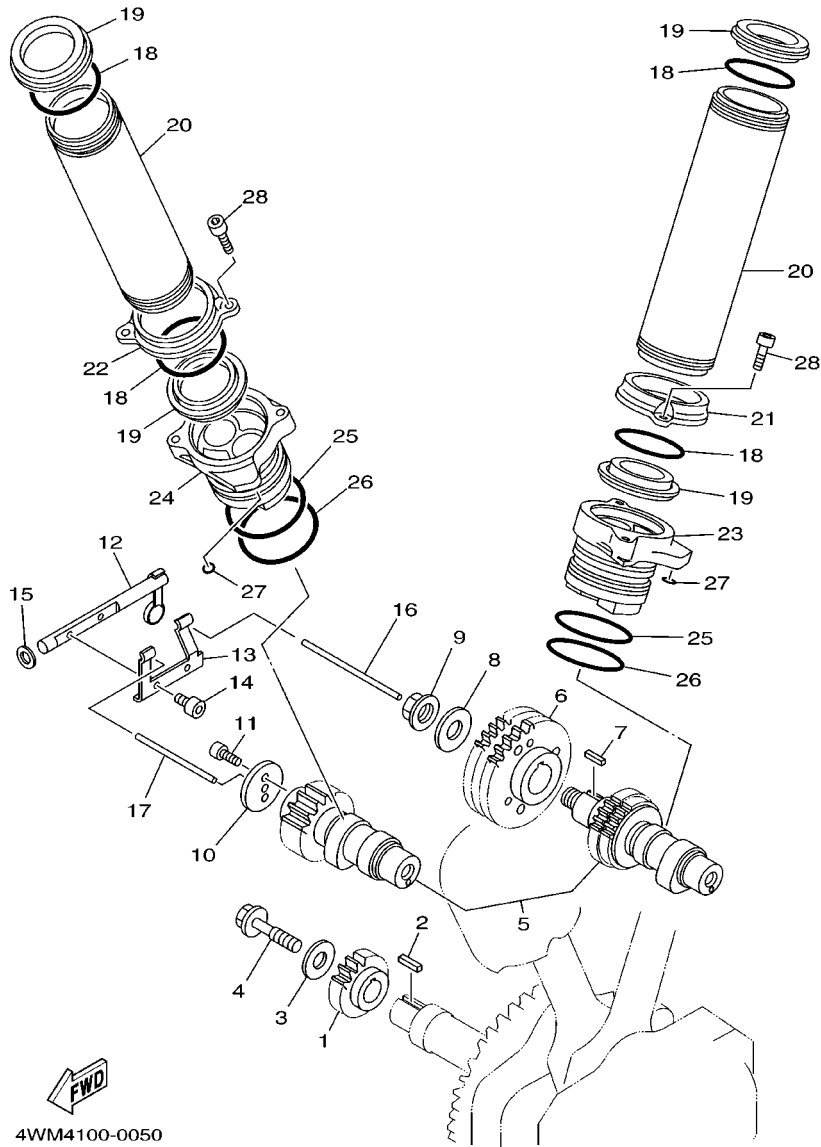
FIG. 4 VALVE



4WM1100-9040

REF. NO.	PART NO.	DESCRIPTION	5JAG				REMARKS
1	4WM-12111-00	VALVE, INTAKE	4				
2	4WM-12121-00	VALVE, EXHAUST	4				
3	26H-12116-00	SEAT, VALVE SPRING	8				
4	4WM-12113-00	SPRING, VALVE INNER	8				
5	4WM-12114-00	SPRING, VALVE OUTER	8				
6	4KM-12119-00	SEAL, VALVE STEM	8				
7	26H-12117-00	RETAINER, VALVE SPRING	8				
8	4G0-12118-00	COTTER, VALVE	16				
9	4WM-12151-00	ARM, VALVE ROCKER	2				
10	4WM-12161-00	ARM, VALVE ROCKER 2	2				
11	31G-12159-02	SCREW, VALVE ADJUSTING	4				
12	31G-12158-00	NUT, LOCK	4				
13	4WM-12146-00	SHAFT, ROCKER	4				
14	4WM-12154-00	ROD, VALVE PUSH	4				
15	4WM-12153-00	LIFTER, VALVE	4				

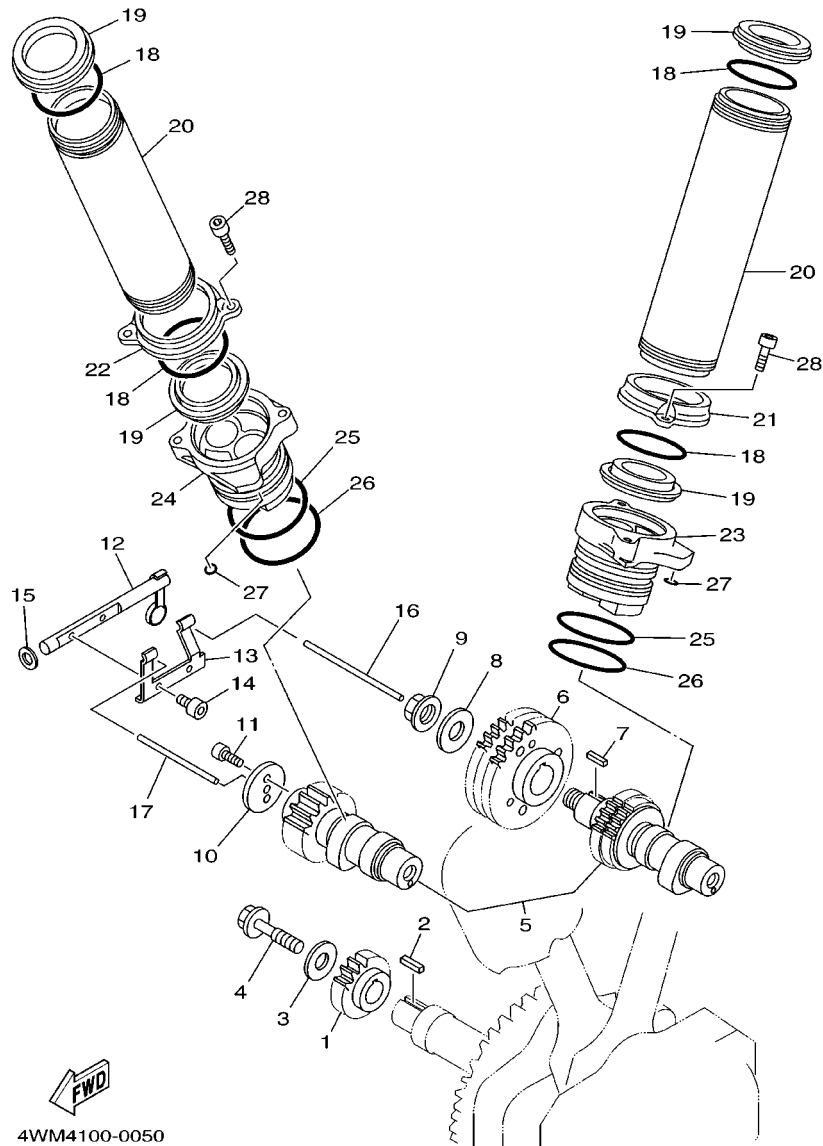
FIG. 5 CAMSHAFT. CHAIN



4WM4100-0050

REF. NO.	PART NO.	DESCRIPTION	5JA9	REMARKS
1	4WM-11534-00	GEAR, BREAKER DRIVE	1	
2	90282-03039	KEY, STRAIGHT	1	
3	90201-100L3	WASHER, PLATE	1	
4	90105-10290	BOLT, FLANGE	1	
5	4WM-W1211-02	CAM SHAFT ASSY	1	
6	4WM-W1153-00	DRIVEN GEAR COMP.	1	
7	90282-03012	KEY, STRAIGHT	1	
8	90201-140H8	WASHER, PLATE	1	
9	90179-14469	NUT	1	
10	4WM-11951-00	PLATE	1	
11	90110-05003	BOLT, HEXAGON SOCKET HEAD	2	
12	4WM-12293-00	CONNECTOR, DECOMPRESSION	1	
13	4WM-12282-00	LEVER, DECOMPRESSION	1	
14	90110-04255	BOLT, HEXAGON SOCKET HEAD	2	
15	90201-08086	WASHER, PLATE	1	
16	4WM-12298-00	ROD, DECOMPRESSION	1	
17	4WM-12294-00	PIPE, DECOMPRESSION	1	
18	93210-472A9	O-RING	4	
19	4WM-12152-00	SUPPORT, ROCKER AR	4	
20	4WM-12155-01	GUIDE, PUSH ROD	2	
21	4WM-12215-00	CAP, TENSIONER CASE	1	
22	4WM-12173-00	CAP, CAMSHAFT 1	1	
23	4WM-12271-00	HOUSING	1	
24	4WM-12272-00	HOUSING	1	
25	93210-54175	O-RING	2	
26	93210-54452	O-RING	2	
27	93210-48364	O-RING	2	

FIG. 5 CAMSHAFT. CHAIN



REF. NO.	PART NO.	DESCRIPTION	5JAG	REMARKS
28	90110-06006	BOLT, HEXAGON SOCKET HEAD	4	

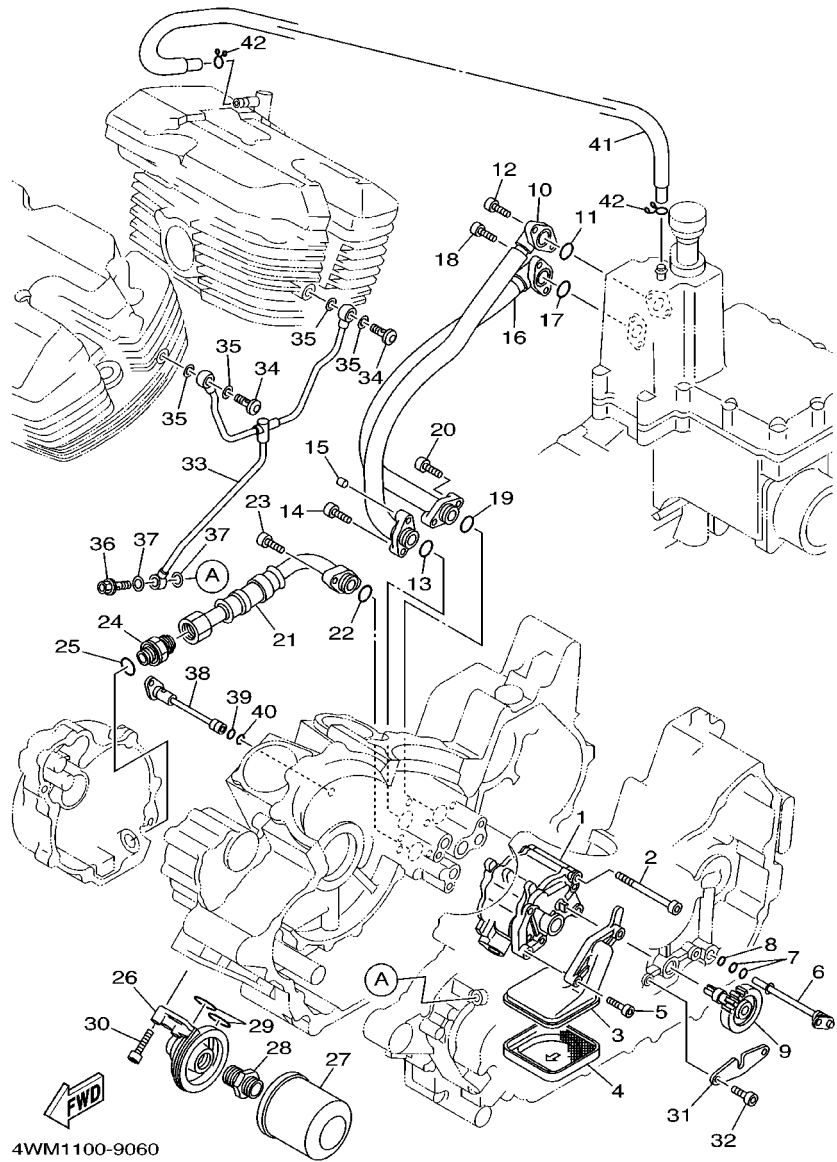


FIG. 6 OIL PUMP

REF. NO.	PART NO.	DESCRIPTION	5JA9				REMARKS
1	4WM-13300-00	OIL PUMP ASSY	1				
2	91317-06080	BOLT	3				
3	4WM-13412-00	HOUSING, STRAINER	1				
4	4WM-13411-00	STRAINER, OIL	1				
5	90110-06225	BOLT, HEXAGON SOCKET HEAD	2				
6	4WM-13171-00	PIPE, DELIVERY 2	1				
7	93210-09165	O-RING	2				
8	93210-06667	O-RING	1				
9	4WM-13360-00	DRIVEN GEAR ASSY	1				
10	4WM-13416-00	PIPE, OIL 1	1				
11	93210-16629	O-RING	1				
12	91317-06020	BOLT	2				
13	93210-15171	O-RING	1				
14	91314-06020	BOLT	1				
15	90338-06018	PLUG	1				
16	4WM-13418-00	PIPE, OIL 2	1				
17	93210-16629	O-RING	1				
18	91317-06020	BOLT	2				
19	93210-15171	O-RING	1				
20	91314-06020	BOLT	2				
21	4WM-13161-00	PIPE, DELIVERY 1	1				
22	93210-13657	O-RING	1				
23	91314-06020	BOLT	2				
24	4WM-13573-00	BOLT 1	1				
25	93210-16325	O-RING	1				
26	4WM-13461-00	PLATE, ADAPTOR	1				
27	3FV-13440-10	ELEMENT ASSY, OIL CLEANER	1				

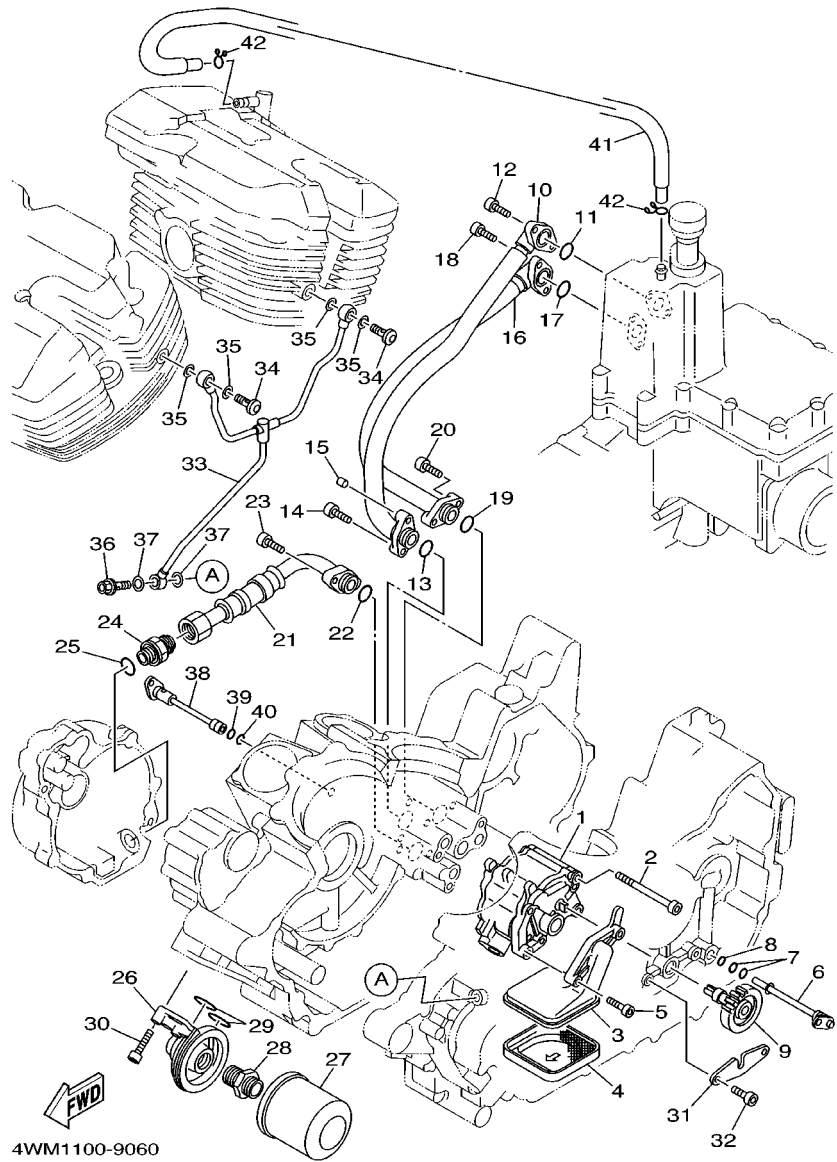
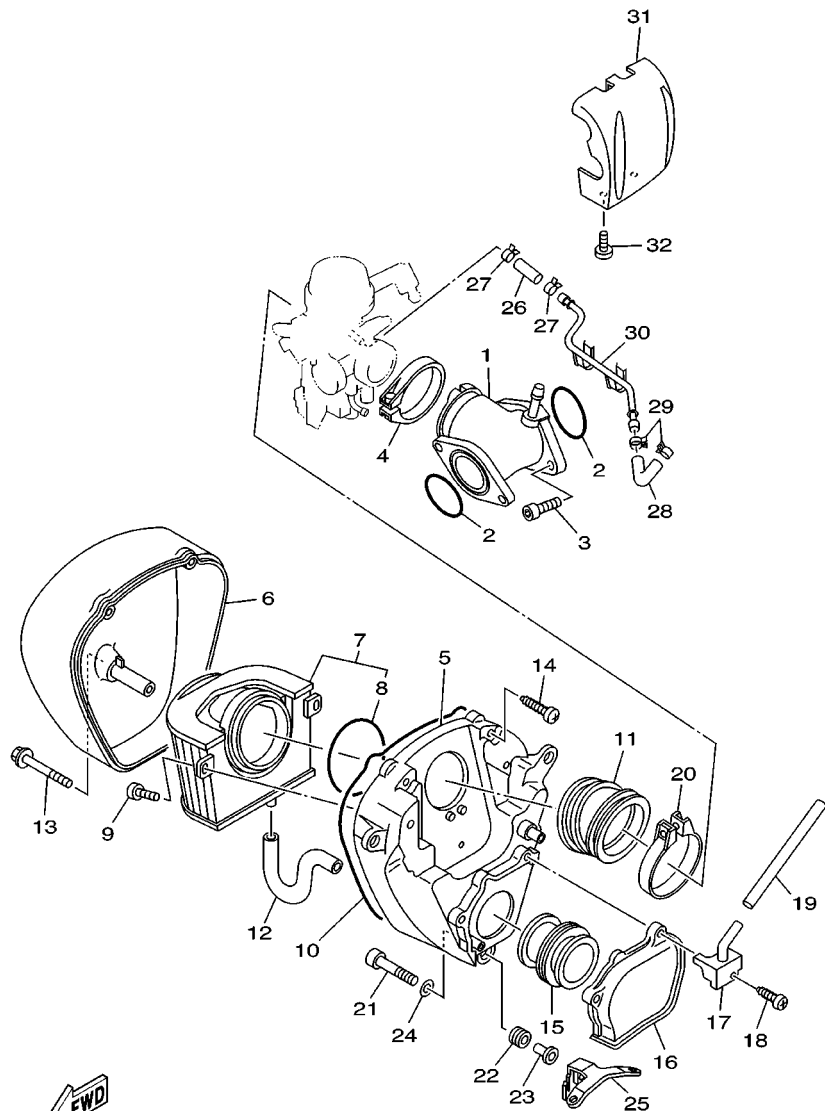


FIG. 6 OIL PUMP

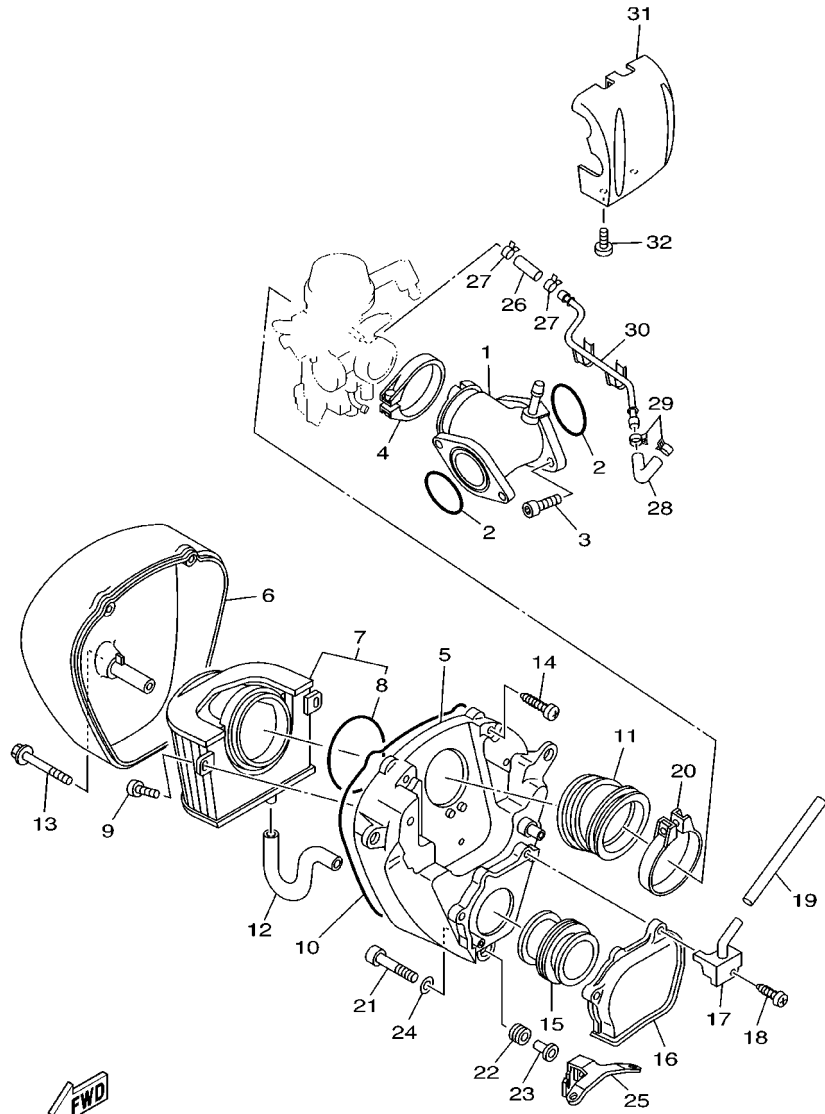
REF. NO.	PART NO.	DESCRIPTION	5JAG	REMARKS
28	90401-20145	BOLT, UNION	1	
29	93210-23326	O-RING	2	
30	90110-06222	BOLT, HEXAGON SOCKET HEAD	4	
31	4WM-1357N-01	PLATE, STOPPER 1	1	
32	91317-06016	BOLT	2	
33	4WM-13405-00	OIL PIPE COMP. 1	1	
34	90401-10175	BOLT, UNION	2	
35	90430-10188	GASKET	4	
36	90401-08176	BOLT, UNION	1	
37	90430-08119	GASKET	2	
38	4WM-13181-00	PIPE, DELIVERY 3	1	
39	93210-08006	O-RING	1	
40	93210-07003	O-RING	1	
41	4WM-13464-00	HOSE, OIL 1	1	
42	90467-10008	CLIP	2	

FIG. 7 INTAKE



5JA9700-A070

REF. NO.	PART NO.	DESCRIPTION	5JA9				REMARKS
1	4WM-13586-00	JOINT, CARBURETOR 1	1				
2	93210-505A4	O-RING	2				
3	91317-06020	BOLT	4				
4	90450-58001	HOSE CLAMP ASSY	1				
5	4WM-14411-00	CASE, AIR CLEANER 1	1				
6	4WM-14421-00	CASE, AIR CLEANER 2	1				
7	4WM-14451-00	ELEMENT, AIR CLEANER	1				
8	93210-77040	.O-RING	1				
9	98904-06014	SCREW, BIND	2				
10	4WM-14452-00	SEAL	1				
11	4WM-14453-00	JOINT, AIR CLEANER 1	1				
12	4WM-1443E-00	PIPE, DRAIN	1				
13	90149-06331	SCREW	1				
14	97707-60540	SCREW, TAPPING	2				
15	5JA-14437-00	DUCT	1				
16	4WM-14417-00	COVER 1	1				
17	4WM-14413-00	STAY	1				
18	97707-50525	SCREW, TAPPING	2				
19	4WM-14419-00	PIPE	1				
20	90450-67001	HOSE CLAMP ASSY	1				
21	90110-06240	BOLT, HEXAGON SOCKET HEAD	3				
22	90480-14023	GROMMET	3				
23	90387-07391	COLLAR	3				
24	90209-06250	WASHER	3				
25	4WM-14498-00	STAY 1	1				
26	90445-146K8	HOSE (L30)	1				
27	90467-13083	CLIP	2				

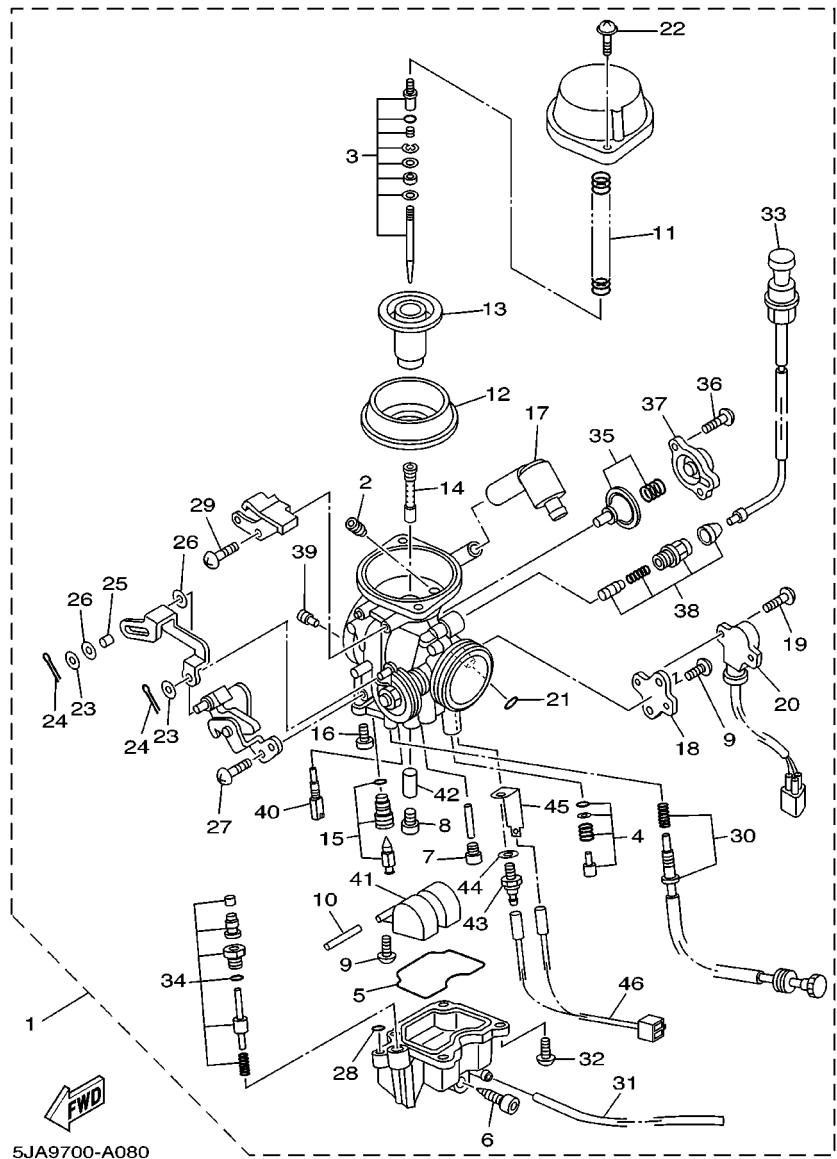


5JA9700-A070

FIG. 7 INTAKE

REF. NO.	PART NO.	DESCRIPTION	5JA9				REMARKS
28	4WM-14294-00	HOSE	1				
29	90467-13083	CLIP	2				
30	4WM-14295-00	PIPE, FUEL	1				
31	4WM-13993-00	COVER, CONTROL RACK	1				
32	98504-05012	SCREW, PAN HEAD	2				

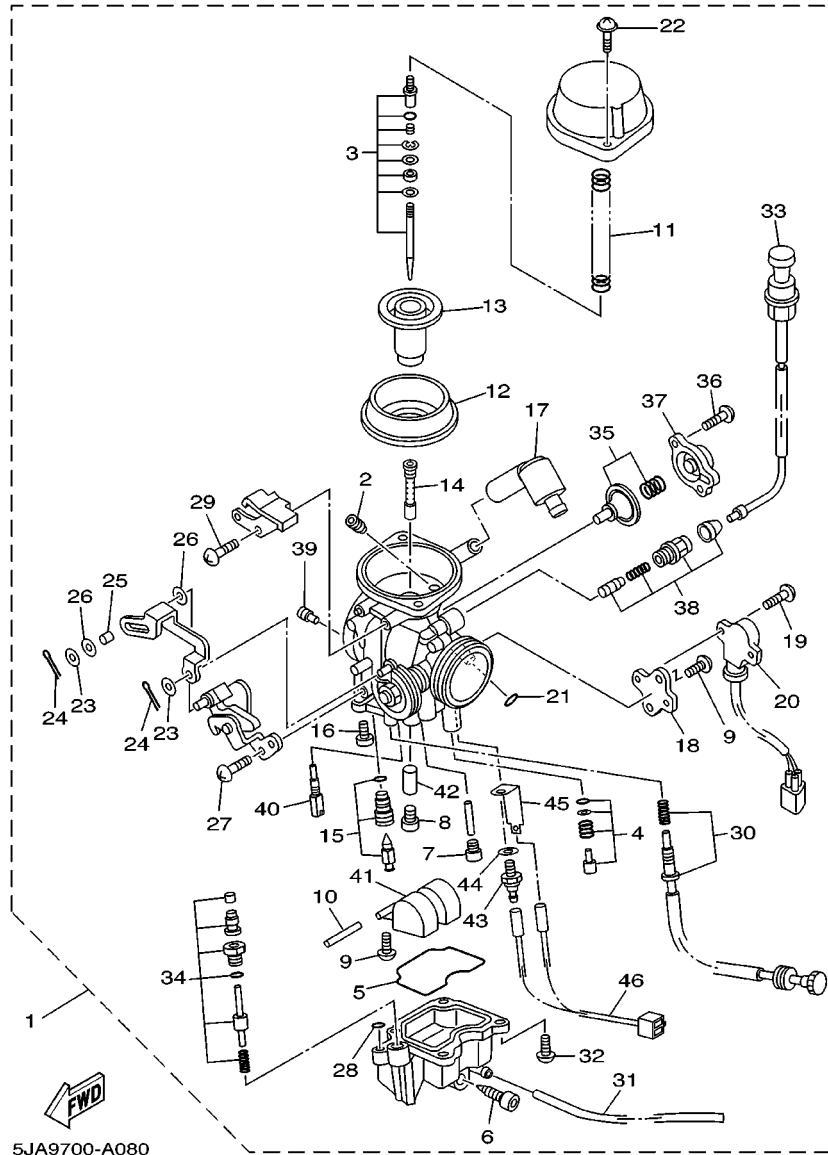
FIG. 8 CARBURETOR



5JA9700-A080

REF. NO.	PART NO.	DESCRIPTION	5JA9				REMARKS
1	5JA-14101-02	CARBURETOR ASSY 1	1				
2	239-14172-20	.PILOT JET, AIR (2.0)	1				
3	5JA-1490J-00	.NEEDLE SET	1				
4	4WM-14105-00	.PILOT SCREW SET	1				
5	5DM-14561-00	.O-RING	1				
6	4KP-14191-00	.PLUG, DRAIN	1				
7	3G2-14231-00	.JET,MAIN (0.6)	1				
8	620-14231-33	.JET, MAIN (#165)	1				
9	98507-04008	.SCREW, PAN HEAD	3				
10	127-14186-00	.PIN, FLOAT	1				
11	4KM-14933-00	.SPRING, DIAPHRAGM	1				
12	4SV-24411-00	.DIAPHRAGM	1				
13	4SV-14112-00	.VALVE, THROTTLE 1	1				
14	4WM-14141-02	.NOZZLE, MAIN	1				
15	4SV-14107-20	.NEEDLE VALVE SET	1				
16	1FN-14565-00	.SCREW	1				
17	4SV-14197-00	.PIPE	1				
18	4WM-14291-00	.BRACKET 1	1				
19	4WM-14565-00	.SCREW	2				
20	4WM-85885-00	.THROTTLE SENSOR ASSY	1				
21	3XV-14994-00	.NET, FILTER	1				
22	4KM-14216-00	.SCREW	2				
23	73A-14973-00	.WASHER	2				
24	91492-12008	.PIN, COTTER	2				
25	4WM-14264-00	.COLLAR	1				
26	4WM-14327-00	.WASHER	2				
27	98507-05008	.SCREW, PAN HEAD	1				

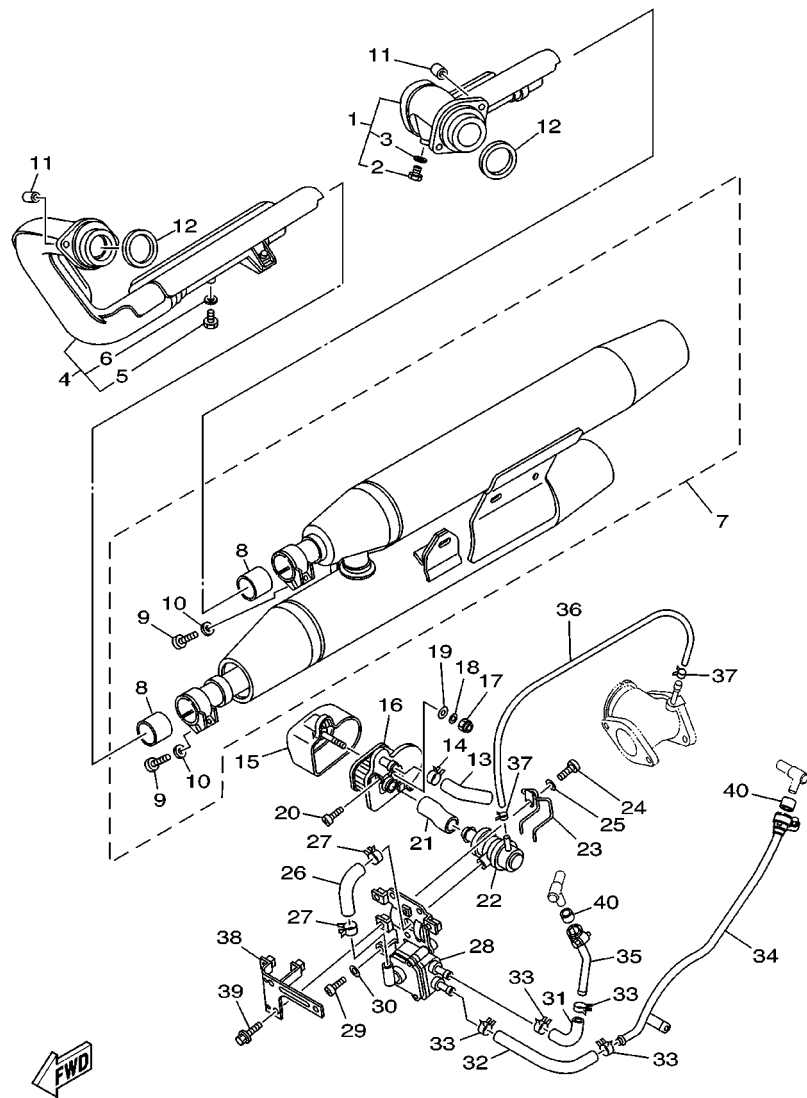
FIG. 8 CARBURETOR



5JA9700-A080

REF. NO.	PART NO.	DESCRIPTION	5JA9				REMARKS
28	3FV-14147-00	.O-RING	1				
29	98507-05010	.SCREW, PAN HEAD	1				
30	4WM-14103-00	.THROTTLE SCREW SET	1				
31	4WM-14987-00	.HOSE	1				
32	98507-04010	.SCREW, PAN HEAD	4				
33	4WM-14130-00	.CABLE	1				
34	4WM-14504-00	.ROD SET	1				
35	4WM-1490H-00	.DIAPHRAGM SET 5	1				
36	1UY-14565-00	.SCREW	2				
37	3LD-14958-00	.COVER, DIAPHRAGM	1				
38	4WM-1410A-00	.STARTER SET	1				
39	1HX-14231-20	.JET,PILOT AIR(#100)	1				
40	4KM-14142-35	.JET, PILOT (# 35)	1				
41	5DM-14985-00	.FLOAT	1				
42	4WM-14918-00	.RING	1				
43	3BT-83790-00	.HEATER ASSY (30W)	2				
44	90201-085R5	.WASHER, PLATE	2				
45	3BT-82103-00	.TERMINAL 1	1				
46	5JA-81517-00	.WIRE, SUB LEAD	1				

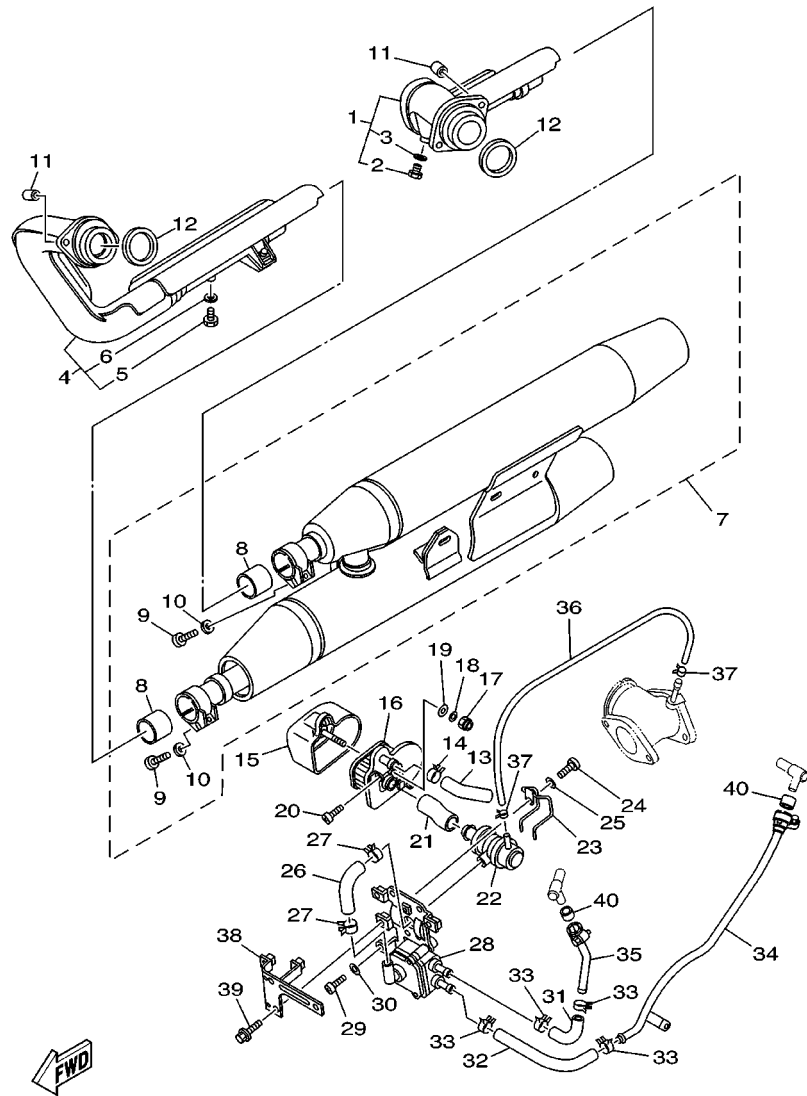
FIG. 9 EXHAUST



FWD
5JA9700-A090

REF. NO.	PART NO.	DESCRIPTION	5JA9	REMARKS
1	4WM-14610-00	EXHAUST PIPE ASSY 1	1	
2	97080-06008	.BOLT	1	
3	92990-06600	.WASHER, PLATE	1	
4	4WM-14620-00	EXHAUST PIPE ASSY 2	1	
5	97080-06008	.BOLT	1	
6	92990-06600	.WASHER, PLATE	1	
7	5JA-14703-01	MUFFLER COMP. 1	1	
8	3XW-14755-00	.GASKET, SILENCER	2	
9	97024-08025	.BOLT	2	
10	92904-08600	.WASHER	2	
11	90179-08442	NUT	4	
12	3EG-14613-00	GASKET, EXHAUST PIPE	2	
13	4WM-14885-00	HOSE, BEND 5	1	
14	90467-19065	CLIP	1	
15	4WM-14857-00	CASE, AIR CLEANER	1	
16	4WM-14858-00	CAP, CASE	1	
17	95607-05100	NUT, U	1	
18	92907-05200	WASHER	1	
19	90202-05057	WASHER, PLATE	1	
20	98517-06012	SCREW, PAN HEAD	2	
21	4WM-14882-00	HOSE, BEND 2	1	
22	4WM-14840-00	AIR CUT VALVE ASS'Y	1	
23	90462-20248	CLAMP	1	
24	98507-06010	SCREW, PAN HEAD	3	
25	92907-06600	WASHER, PLATE	3	
26	4WM-14883-00	HOSE, BEND 3	1	
27	90467-19065	CLIP	1	

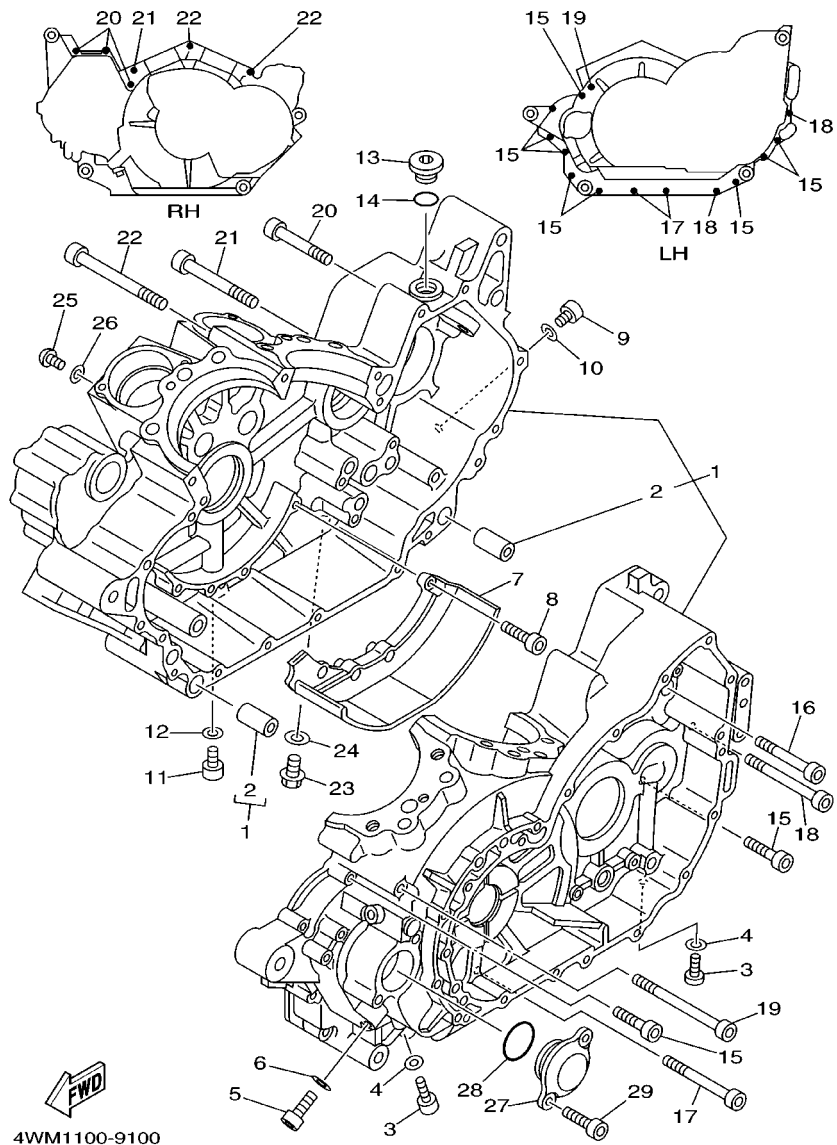
FIG. 9 EXHAUST



5JA9700-A090

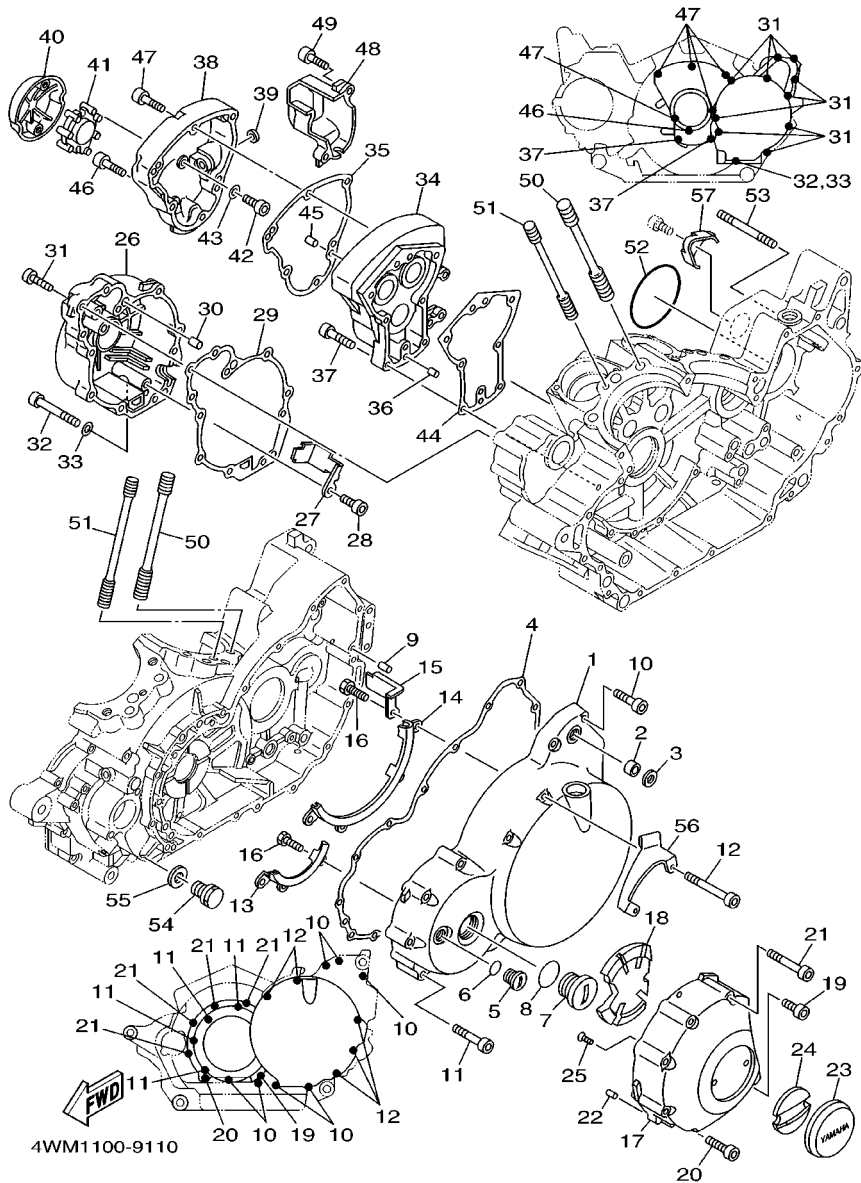
REF. NO.	PART NO.	DESCRIPTION	5JA9					REMARKS
28	4WM-14808-00	REED VALVE ASSY	1					
29	98507-06010	SCREW, PAN HEAD	3					
30	92907-06600	WASHER, PLATE	3					
31	4WM-14884-00	HOSE, BEND 4	1					
32	4WM-14886-00	HOSE, BEND 6	1					
33	90468-08104	CLIP	4					
34	4WM-14871-00	PIPE 1	1					
35	4WM-14872-00	PIPE 2	1					
36	4WM-13542-00	HOSE, VACUUM SENSING 1	1					
37	90467-08092	CLIP	2					
38	4WM-14868-00	BRACKET 2	1					
39	95027-06010	BOLT, FLANGE	3					
40	42H-14714-10	GASKET, MUFFLER	2					

FIG. 10 CRANKCASE



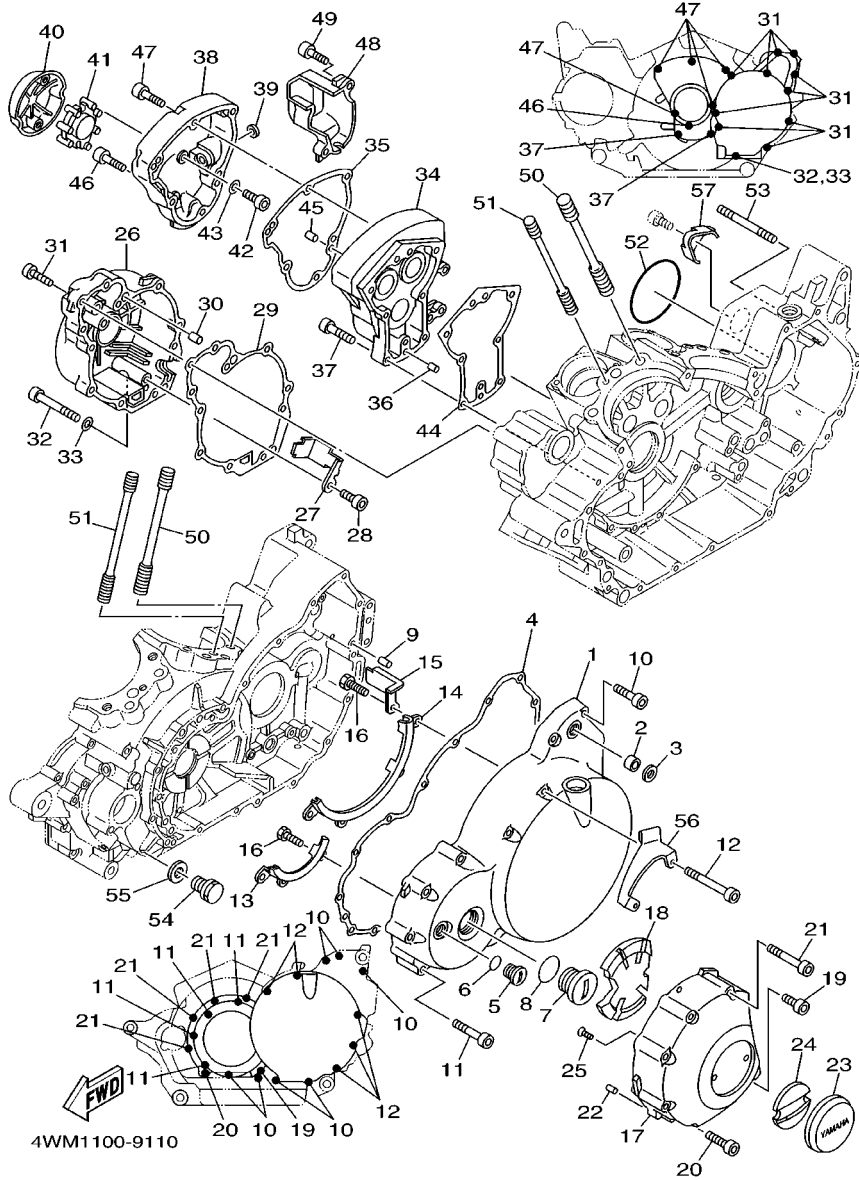
REF. NO.	PART NO.	DESCRIPTION	5JA9	REMARKS
1	4WM-15100-00	CRANKCASE ASSY	1	
2	99530-14016	.PIN, DOWEL	2	
3	90110-05003	BOLT, HEXAGON SOCKET HEAD	2	
4	90430-05126	GASKET	2	
5	90110-08004	BOLT, HEXAGON SOCKET HEAD	1	
6	90430-08119	GASKET	1	
7	4WM-15123-00	PLATE, BUFFLE 1	1	
8	90110-06005	BOLT, HEXAGON SOCKET HEAD	4	
9	90110-05003	BOLT, HEXAGON SOCKET HEAD	1	
10	90430-05126	GASKET	1	
11	90110-08004	BOLT, HEXAGON SOCKET HEAD	1	
12	90430-08119	GASKET	1	
13	4H7-15189-00	PLUG	1	
14	93210-22382	O-RING	1	
15	91314-06040	BOLT	9	
16	91314-06060	BOLT	1	
17	91314-06075	BOLT	2	
18	91314-06085	BOLT	2	
19	91314-06105	BOLT	1	
20	91314-06060	BOLT	3	
21	91314-08080	BOLT	1	
22	91314-08100	BOLT	2	
23	95024-08012	BOLT, FLANGE	1	
24	90430-08119	GASKET	1	
25	92014-05010	BOLT, BUTTON HEAD	3	
26	90430-05126	GASKET	3	
27	4WM-15417-00	COVER, CAP	1	

FIG. 11 CRANKCASE COVER 1



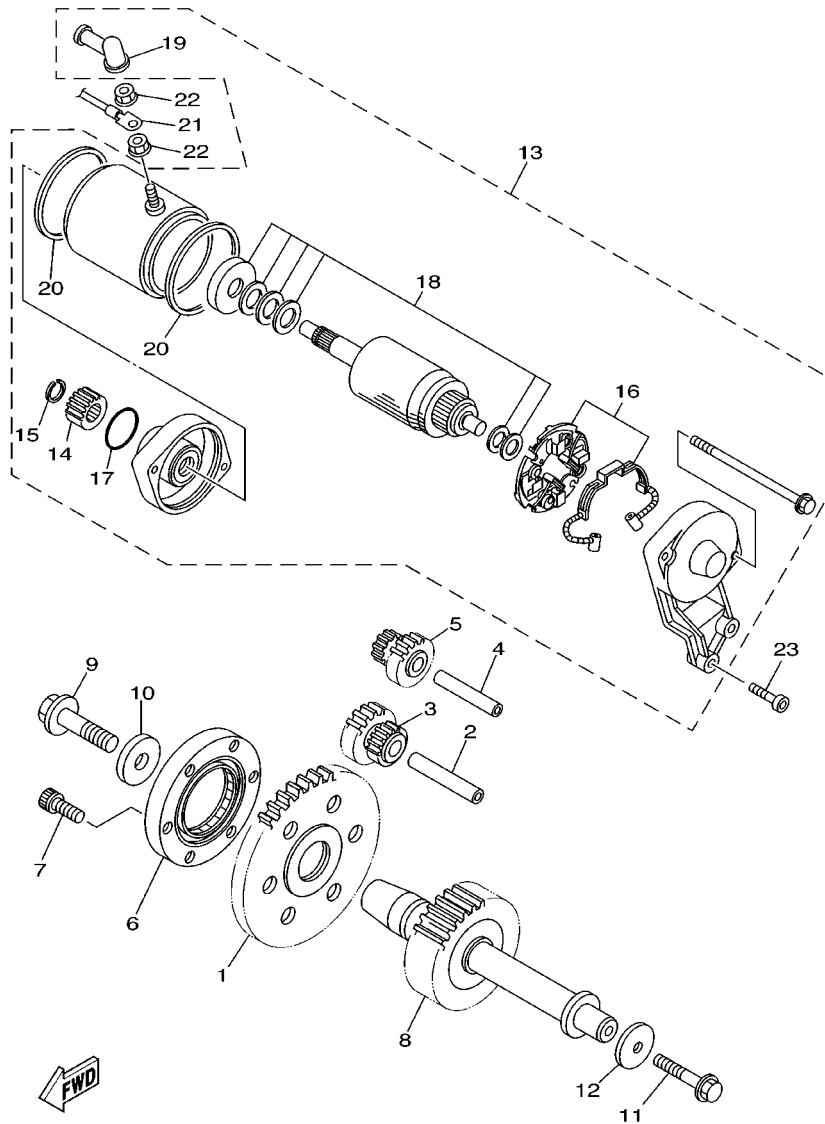
REF. NO.	PART NO.	DESCRIPTION	5JA9				REMARKS
1	4WM-15411-00	COVER, CRANKCASE 1	1				
2	93317-11287	BEARING	1				
3	93102-12224	OIL SEAL	1				
4	4WM-15451-00	GASKET, CRANKCASE COVER 1	1				
5	90340-14117	PLUG, STRAIGHT SCREW	1				
6	93210-14369	O-RING	1				
7	90340-32080	PLUG, STRAIGHT SCREW	1				
8	93210-32172	O-RING	1				
9	99530-10114	PIN, DOWEL	2				
10	91314-06035	BOLT	7				
11	91314-06045	BOLT	4				
12	91314-06070	BOLT	5				
13	4WM-15142-00	GUIDE 1	1				
14	4WM-15143-00	GUIDE	1				
15	4WM-15484-00	CLAMP 2	1				
16	98507-06010	SCREW, PAN HEAD	7				
17	4WM-15423-00	COVER 2	1				
18	4WM-15326-00	DAMPER, ENGINE MOUNT 2	1				
19	91314-06025	BOLT	1				
20	91314-06035	BOLT	1				
21	91314-06060	BOLT	4				
22	91808-16023	PIN, DOWEL	2				
23	4WM-15425-00	COVER, GENERATOR 2	1				
24	4WM-15316-00	DAMPER, ENGINE MOUNT 1	1				
25	90151-05001	SCREW, COUNTERSUNK	2				
26	4WM-15421-00	COVER, ČRANKČASĚ 2	1				
27	4WM-15377-00	GUIDE, INLET	1				

FIG. 11 CRANKCASE COVER 1



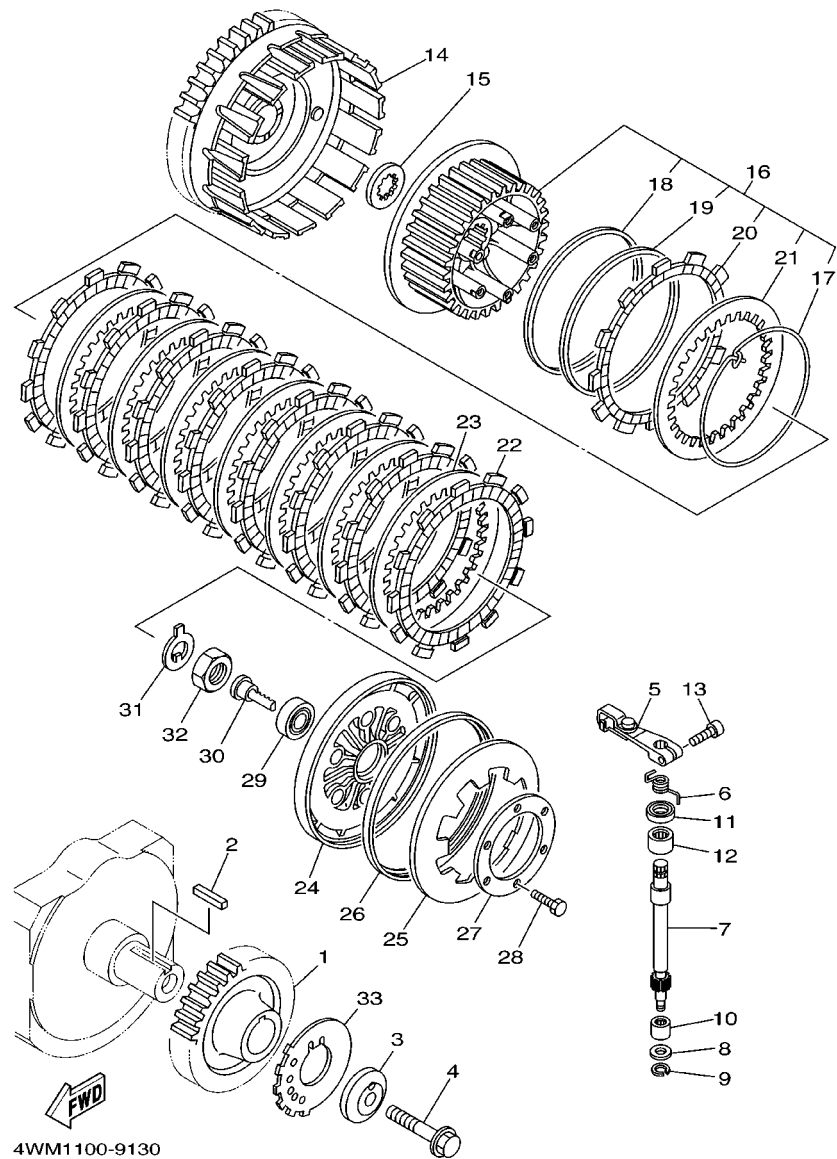
REF. NO.	PART NO.	DESCRIPTION	5JA9	REMARKS
28	91317-06010	BOLT	1	
29	4WM-15461-00	GASKET, CRANKCASE COVER 2	1	
30	99530-10114	PIN, DOWEL	2	
31	91314-06030	BOLT	10	
32	91314-06065	BOLT	1	
33	90430-06014	GASKET	1	
34	4WM-15431-00	COVER, CRANKCASE 3	1	
35	4WM-15462-00	GASKET, CRANKCASE COVER 3	1	
36	93606-10227	PIN, DOWEL	2	
37	91314-06035	BOLT	7	
38	4WM-12278-01	COVER, DECOMP.	1	
39	93104-08089	OIL SEAL	1	
40	4WM-15427-00	COVER, CAP 2	1	
41	4WM-15335-00	DAMPER 3	1	
42	90110-06004	BOLT, HEXAGON SOCKET HEAD	2	
43	90430-06014	GASKET	2	
44	4WM-12286-00	GASKET, DECOMPRESSION	1	
45	93606-10227	PIN, DOWEL	2	
46	91314-06025	BOLT	1	
47	91314-06030	BOLT	5	
48	4WM-12275-00	COVER, DECOMP LEVER	1	
49	91314-06025	BOLT	2	
50	90116-12240	BOLT, STUD	8	
51	90116-10344	BOLT, STUD	4	
52	93210-750A1	O-RING	1	
53	90116-08065	BOLT, STUD	1	
54	90340-14132	PLUG, STRAIGHT SCREW	1	

FIG. 12 STARTER



4WM1100-9120

REF. NO.	PART NO.	DESCRIPTION	5JA9				REMARKS
1	4WM-15515-00	GEAR 3	1				
2	4WM-15522-00	SHAFT 2	1				
3	4WM-15517-00	GEAR, IDLER 2	1				
4	4WM-15521-00	SHAFT 1	1				
5	4WM-15512-00	GEAR, IDLER 1	1				
6	4WM-15590-00	STARTER ONE-WAY ASSY	1				
7	90110-08212	BOLT, HEXAGON SOCKET HEAD	6				
8	4WM-15659-00	SHAFT	1				
9	90105-12584	BOLT, FLANGE	1				
10	90201-121H0	WASHER, PLATE	1				
11	95817-08045	BOLT, FLANGE	1				
12	4WM-15653-00	WASHER	1				
13	4WM-81890-00	MOTOR ASSY	1				
14	1VJ-15511-00	.GEAR, STARTING MOTOR	1				
15	93440-11024	.CIRCLIP	1				
16	3AJ-81801-00	.BRUSH SET	1				
17	1FK-81847-00	.O-RING	1				
18	3HE-81809-00	.WASHER KIT	1				
19	4G0-81871-00	.CAP	1				
20	11H-81844-00	.GASKET	2				
21	4WM-81815-00	CORD, STARTER MOTOR	1				
22	4XV-8182A-00	NUT	2				
23	91314-06025	BOLT	2				

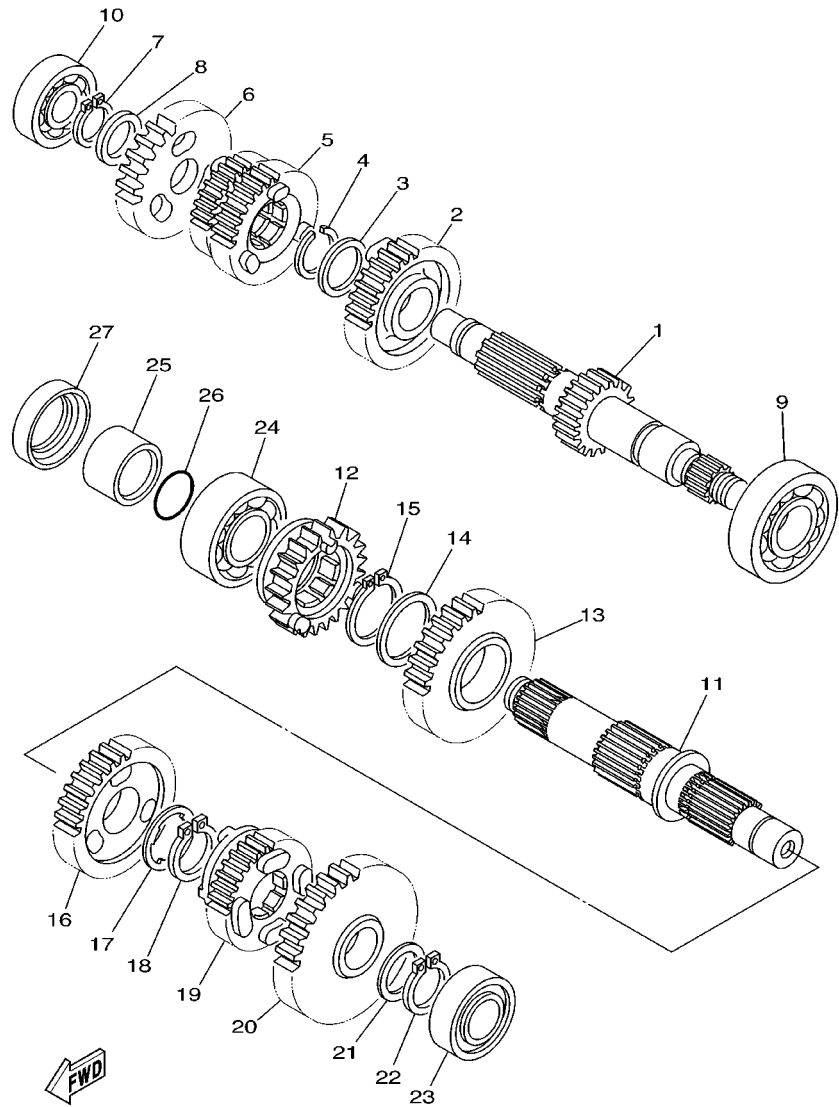


4WM1100-9130

FIG. 13 CLUTCH

REF. NO.	PART NO.	DESCRIPTION	5JA9				REMARKS
1	4WM-16111-00	GEAR, PRIMARY DRIVE	1				
2	4WM-16193-00	KEY, FEATHER	1				
3	4WM-16181-00	SPACER 1	1				
4	90101-12746	BOLT	1				
5	4WM-16340-00	PUSH LEVER ASSY	1				
6	4WM-16539-00	SPRING	1				
7	4WM-16382-00	AXLE, PUSH LEVER	1				
8	92907-08600	WASHER, PLATE	1				
9	99001-07600	CIRCLIP	1				
10	93317-11020	BEARING	1				
11	93102-15212	OIL SEAL	1				
12	93315-31502	BEARING	1				
13	91314-06020	BOLT	1				
14	4WM-16150-00	PRIMARY DRIVEN GEAR COMP.	1				
15	26H-16154-00	PLATE, THRUST 1	1				
16	4WM-16370-00	CLUTCH BOSS ASSY	1				
17	26H-16385-00	.RING, CLUTCH BOSS	1				
18	26H-16384-00	.PLATE, SEAT	1				
19	1FK-16383-00	.SPRING, CLUTCH BOSS	1				
20	26H-16321-00	.PLATE, FRICTION	1				
21	26H-16324-00	.PLATE, CLUTCH 1	1				
22	26H-16307-00	PLATE, FRICTION 3	8				
23	26H-16324-00	PLATE, CLUTCH 1	7				
24	1FK-16351-00	PLATE, PRESSURE 1	1				
25	4NK-16334-00	SPRING, CLUTCH 2	1				
26	1FK-16335-00	HOUSING, SPRING	1				
27	1FK-16352-00	PLATE, PRESSURE 2	1				

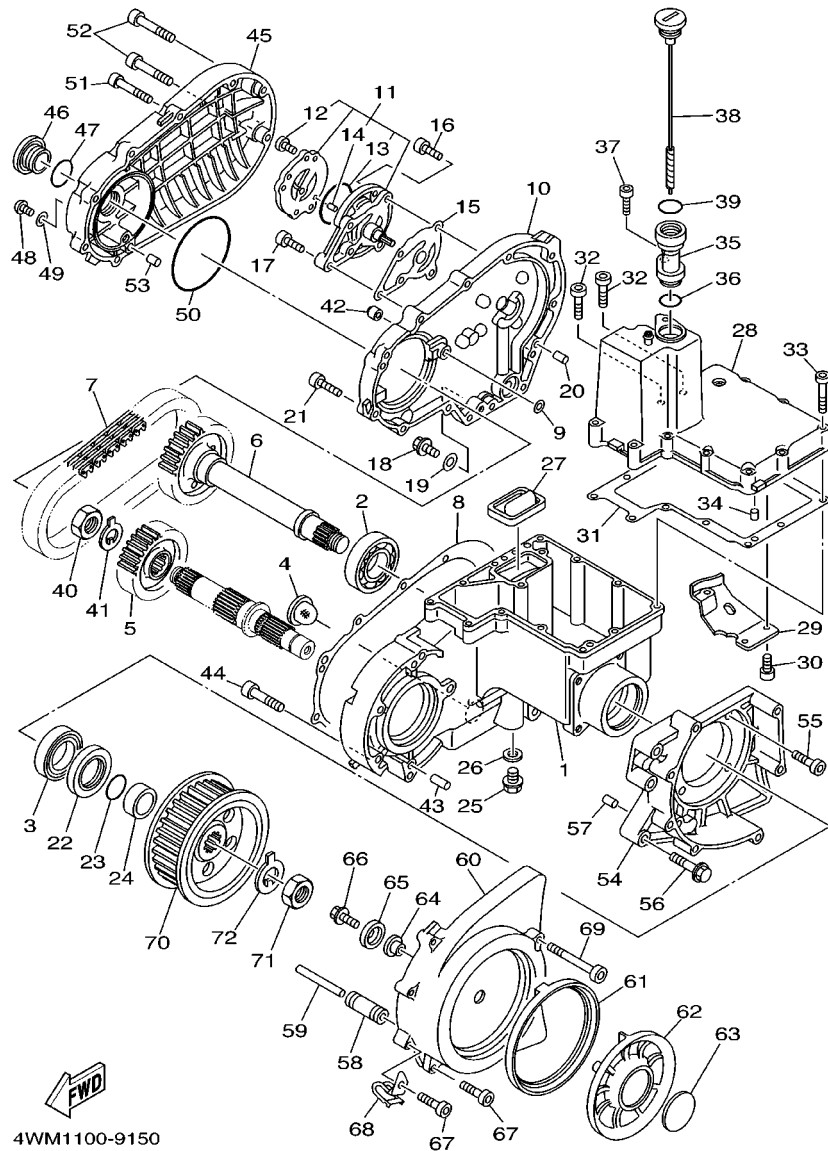
FIG. 14 TRANSMISSION



4WM1100-9140

REF. NO.	PART NO.	DESCRIPTION	5JA9	REMARKS
1	4WM-17411-00	AXLE, MAIN	1	
2	4NK-17141-01	GEAR, 4TH PINION (32T)	1	
3	90209-25196	WASHER	1	
4	93440-28062	CIRCLIP	1	
5	4NK-17121-01	GEAR, 2ND/3RD PINION (19T/25T)	1	
6	4NK-17151-00	GEAR, 5TH PINION (28T)	1	
7	93410-23056	CIRCLIP	1	
8	90201-232K5	WASHER, PLATE	1	
9	93306-37806	BEARING	1	
10	93306-30441	BEARING	1	
11	4WM-17421-00	AXLE, DRIVE	1	
12	4NK-17251-00	GEAR, 5TH WHEEL (21T)	1	
13	4NK-17221-01	GEAR, 2ND WHEEL (30T)	1	
14	90209-32231	WASHER	1	
15	93440-34025	CIRCLIP	1	
16	4NK-17231-01	GEAR, 3RD WHEEL (29T)	1	
17	90209-27192	WASHER	1	
18	93440-30077	CIRCLIP	1	
19	4NK-17241-01	GEAR, 4TH WHEEL (29T)	1	
20	4NK-17211-01	GEAR, 1ST WHEEL (39T)	1	
21	90201-256K6	WASHER, PLATE (0.9T)	1	
22	93410-25017	CIRCLIP	1	
23	93306-20550	BEARING (B6205DU8)	1	
24	93305-20607	BEARING	1	
25	90387-3015P	COLLAR	1	
26	93210-30660	O-RING	1	
27	93103-38184	OIL SEAL	1	

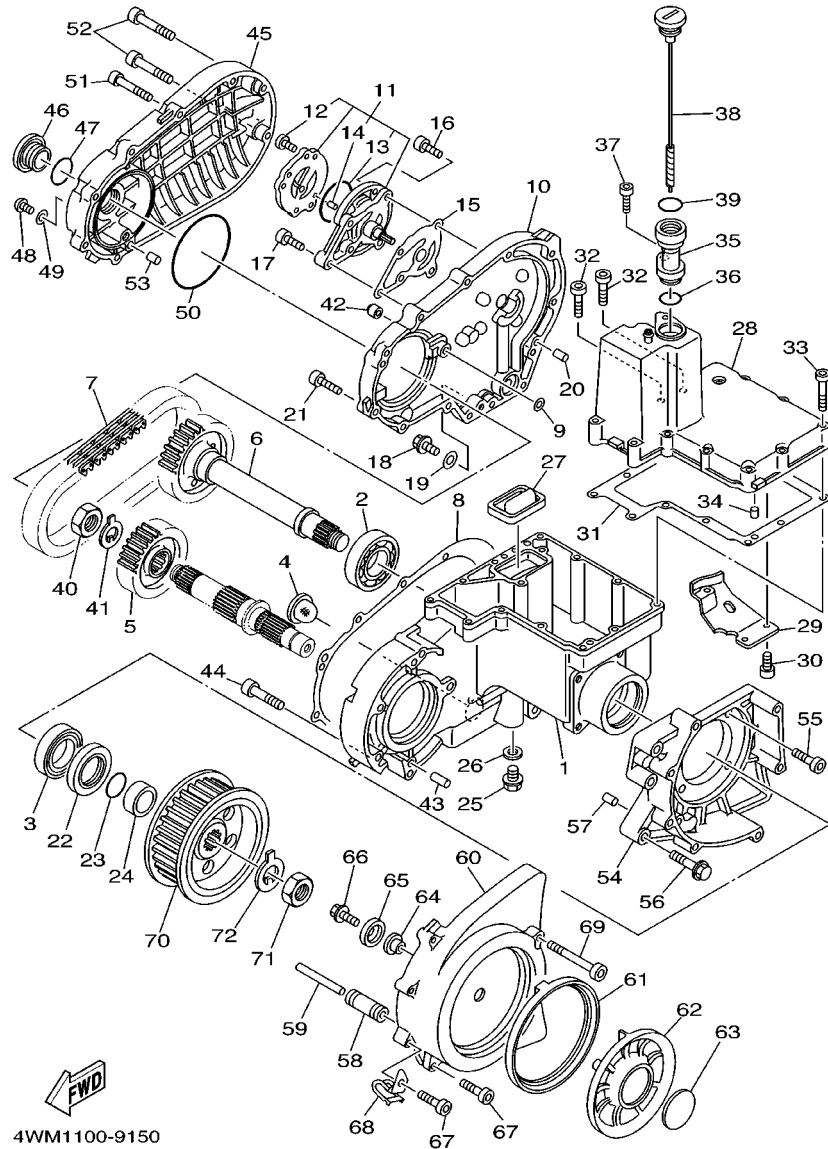
FIG. 15 MIDDLE DRIVE GEAR



4WM1100-9150

REF. NO.	PART NO.	DESCRIPTION	5JA9	REMARKS
1	4WM-17541-01	CASE, TRANSFER 1	1	
2	93306-20715	BEARING	1	
3	93306-20601	BEARING (B6206C3)	1	
4	4WM-13286-00	CLEANER	1	
5	4WM-17682-00	SPROCKET, CHAIN DRIVE	1	
6	4WM-1755A-00	MIDDLE DRIVEN SHAFT ASSY	1	
7	4WM-16139-00	CHAIN, PRIMARY	1	
8	4WM-17929-00	GASKET 1	1	
9	4WM-17931-00	GASKET 2	1	
10	4WM-17542-00	CASE, TRANSFER 2	1	
11	4WM-13100-00	OIL PUMP ASSY	1	
12	90157-06124	.SCREW, PAN HEAD	2	
13	93210-48214	.O-RING	1	
14	93603-07073	.PIN, DOWEL	2	
15	4WM-13116-00	GASKET, PUMP CASE	1	
16	90110-06222	BOLT, HEXAGON SOCKET HEAD	3	
17	90110-06225	BOLT, HEXAGON SOCKET HEAD	2	
18	95814-08016	BOLT, FLANGE	1	
19	90430-08119	GASKET	1	
20	99530-10114	PIN, DOWEL	2	
21	91314-06025	BOLT	6	
22	93102-40330	OIL SEAL	1	
23	93210-30660	O-RING	1	
24	90387-304K7	COLLAR	1	
25	90340-14132	PLUG, STRAIGHT SCREW	1	
26	214-11198-01	GASKET	1	
27	4WM-13421-00	STRAINER 2	1	

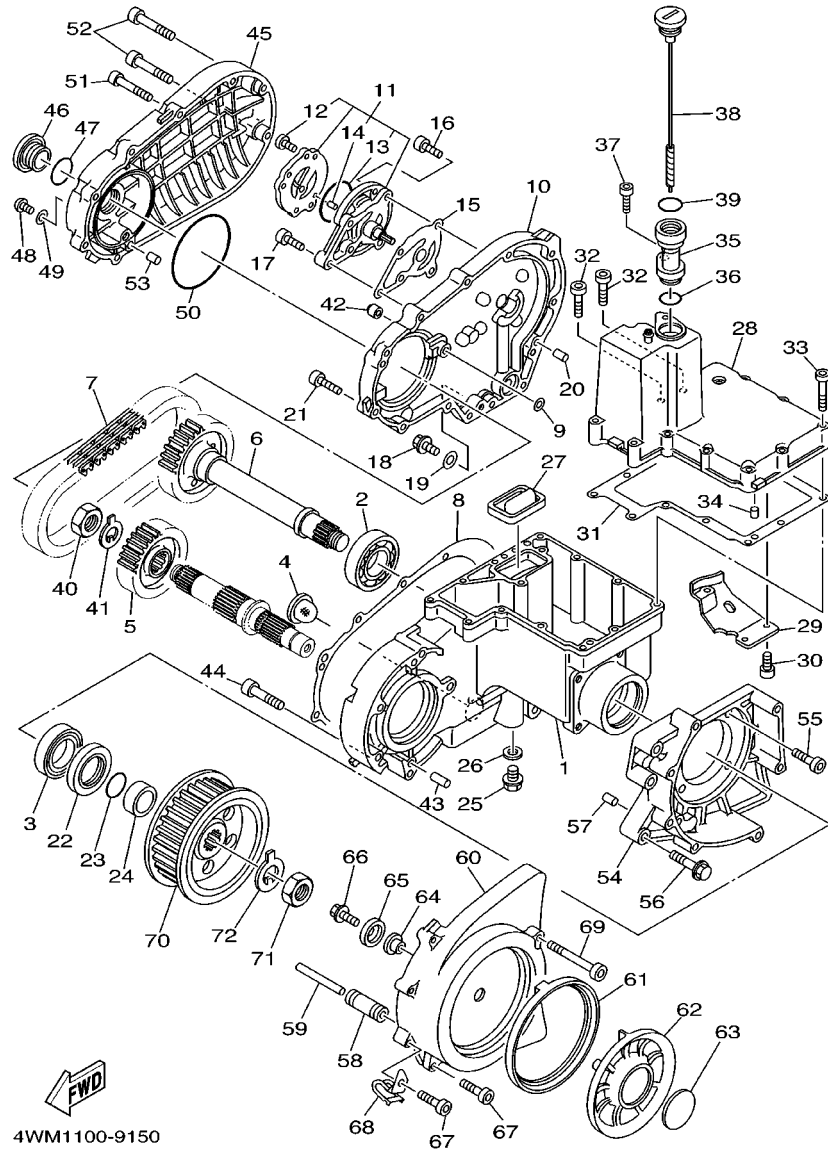
FIG. 15 MIDDLE DRIVE GEAR



4WM1100-9150

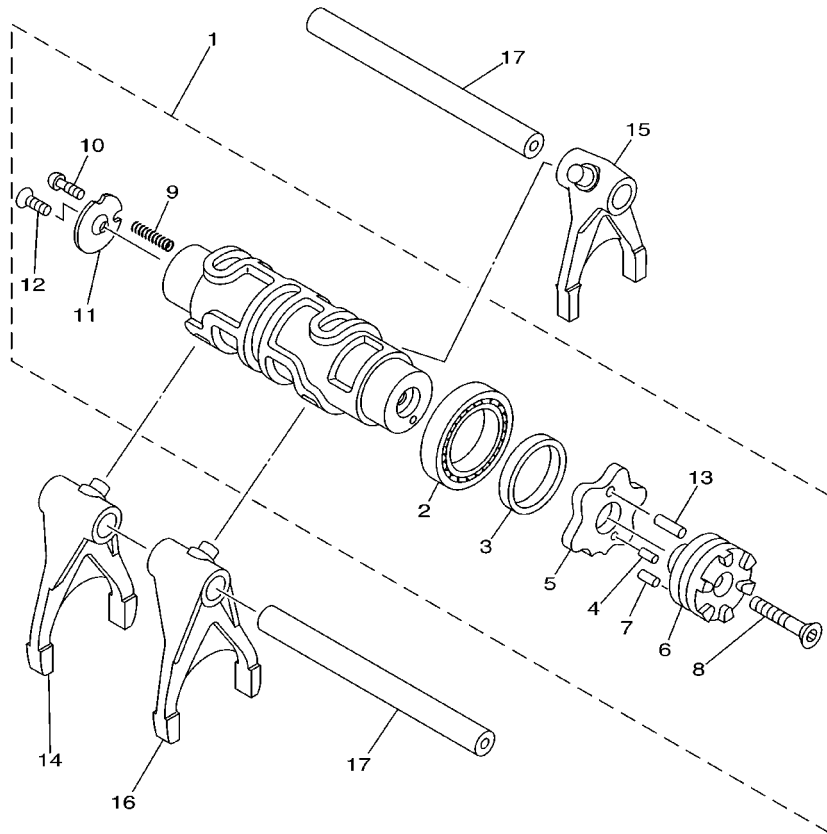
REF. NO.	PART NO.	DESCRIPTION	5JA9	REMARKS
28	4WM-17631-00	CAP	1	
29	4WM-1763A-00	PLATE, CAP	1	
30	90110-06004	BOLT, HEXAGON SOCKET HEAD	3	
31	4WM-17932-00	GASKET,3	1	
32	91317-06030	BOLT	2	
33	91317-06040	BOLT	13	
34	99530-10114	PIN, DOWEL	2	
35	4WM-13132-00	JOINT	1	
36	93210-23326	O-RING	1	
37	91317-06025	BOLT	1	
38	4WM-15362-00	PLUG, OIL LEVEL	1	
39	93210-27370	O-RING	1	
40	90179-22698	NUT	1	
41	90215-30233	WASHER, LOCK	1	
42	90179-08004	NUT	1	
43	99530-10114	PIN, DOWEL	2	
44	91314-08050	BOLT	4	
45	4WM-15779-00	COVER	1	
46	90340-32140	PLUG, STRAIGHT SCREW	1	
47	93210-32172	O-RING	1	
48	92014-06010	BOLT, BUTTON HEAD	1	
49	90430-06016	GASKET	1	
50	93210-92448	O-RING	1	
51	91314-06050	BOLT	5	
52	91314-08055	BOLT	2	
53	99530-10114	PIN, DOWEL	2	
54	4WM-17613-00	STAY	1	

FIG. 15 MIDDLE DRIVE GEAR



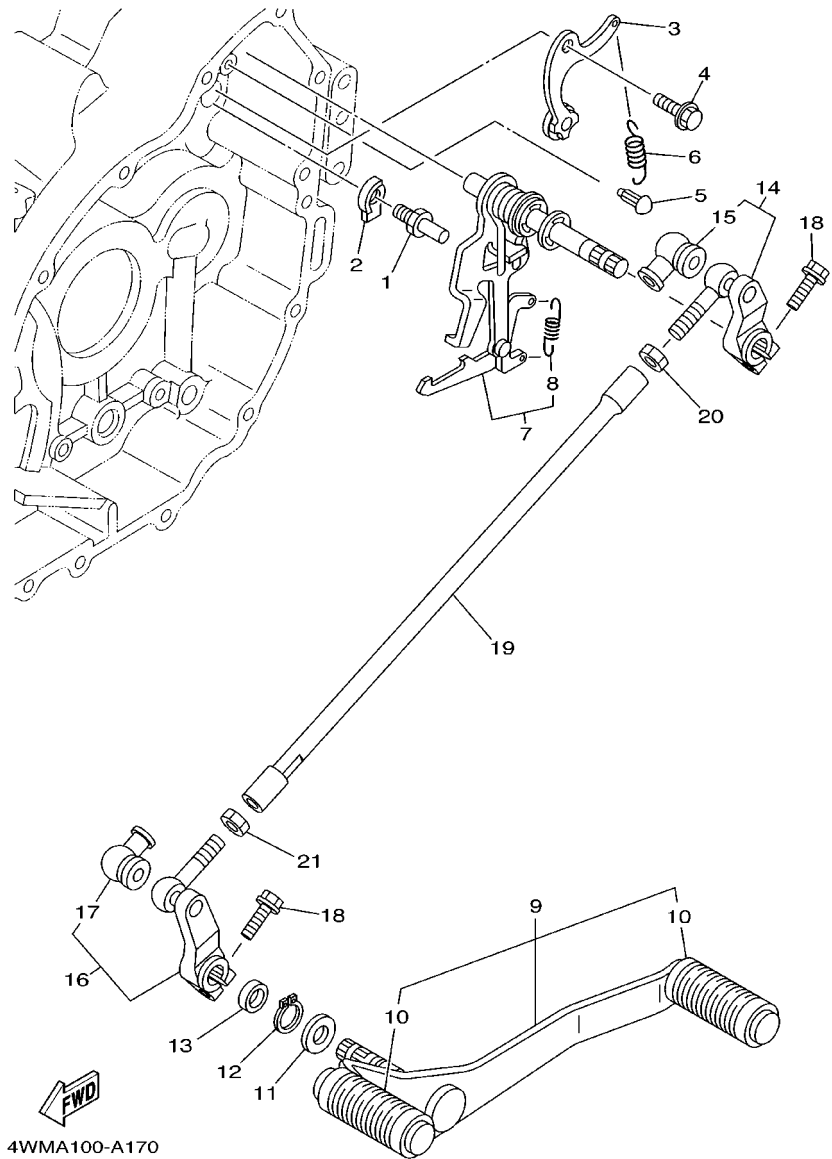
REF. NO.	PART NO.	DESCRIPTION	5JA9	REMARKS
55	91317-08030	BOLT	4	
56	95814-08050	BOLT, FLANGE	3	
57	99480-10018	PIN	2	
58	4WM-17653-00	SLIDER	2	
59	93606-76259	PIN, DOWEL	2	
60	4WM-17076-00	COVER	1	
61	4WM-15449-00	RING, RUBBER	1	
62	4WM-17665-01	PLATE 1	1	
63	4WM-17675-00	PLATE 2	1	
64	4H7-15486-00	GROMMET	1	
65	90209-06096	WASHER	1	
66	95807-06012	BOLT, FLANGE	1	
67	91314-06035	BOLT	5	
68	90462-06003	CLAMP	1	
69	90110-08002	BOLT, HEXAGON SOCKET HEAD	2	
70	4WM-17651-00	PULLEY, BELT	1	
71	90179-22698	NUT	1	
72	90215-30233	WASHER, LOCK	1	

FIG. 16 SHIFT CAM. FORK



FWD
4WM1100-9160

REF. NO.	PART NO.	DESCRIPTION	5JA9	REMARKS
1	4WM-18540-00	SHIFT CAM ASSY	1	
2	93306-90602	.BEARING	1	
3	90560-30234	.SPACER	1	
4	93603-10049	.PIN, DOWEL	1	
5	4NK-18141-00	.PLATE, STOPPER	1	
6	4NK-18185-00	.SEGMENT	1	
7	93604-12037	.PIN, DOWEL	5	
8	90151-06013	.SCREW, COUNTERSUNK	1	
9	90501-06022	.SPRING, COMPRESSION	1	
10	4UN-18542-00	.POINT, NEUTRAL	1	
11	4UN-18566-00	.PLATE, SIDE 2	1	
12	90149-05321	.SCREW	1	
13	93604-16092	.PIN, DOWEL	1	
14	4WM-18511-00	FORK, SHIFT 1	1	
15	4WM-18512-00	FORK, SHIFT 2	1	
16	4WM-18513-00	FORK, SHIFT 3	1	
17	4NK-18531-00	BAR, SHIFT FORK GUIDE 1	2	

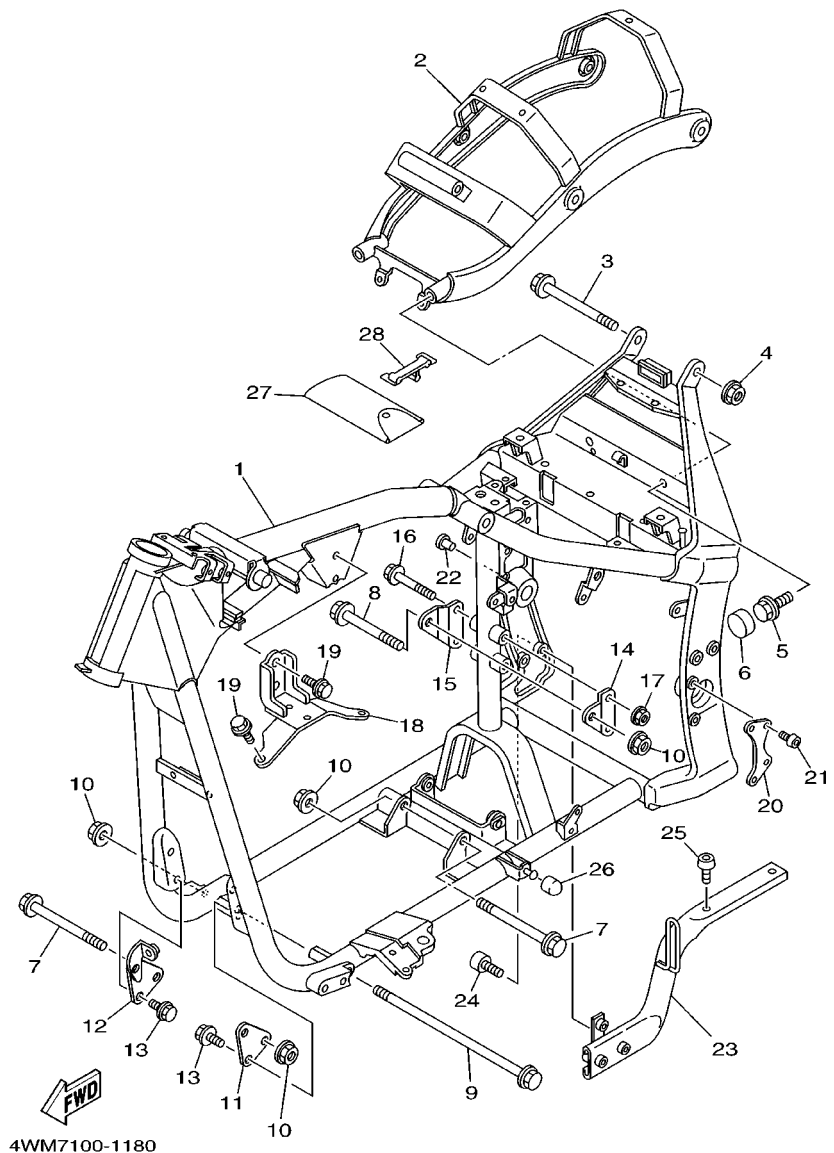


4WMA100-A170

FIG. 17 SHIFT SHAFT

REF. NO.	PART NO.	DESCRIPTION	5JA9	REMARKS
1	90109-08441	BOLT	1	
2	90215-08115	WASHER, LOCK	1	
3	26H-18140-02	STOPPER LEVER ASSY	1	
4	90109-063F8	BOLT	1	
5	132-16346-00	HOOK, SPRING	1	
6	90507-14064	SPRING, TENSION	1	
7	4WM-18101-01	SHIFT SHAFT ASSY	1	
8	90506-08227	.SPRING, TENSION	1	
9	4WM-18110-01	SHIFT PEDAL ASSY	1	
10	4NK-18113-00	.COVER, SHIFT PEDAL	2	
11	90201-127E1	WASHER, PLATE	1	
12	99001-10600	CIRCLIP	1	
13	4WM-18154-00	COVER, DUST	1	
14	4WM-18130-00	SHIFT SHAFT ASSY	1	
15	2H9-18154-00	.COVER, DUST	1	
16	4WM-18150-01	SHIFT LEVER ASSY	1	
17	2H9-18154-00	.COVER, DUST	1	
18	91314-06020	BOLT	2	
19	4WM-18115-00	ROD, SHIFT	1	
20	95304-08700	NUT	1	
21	90170-08358	NUT	1	

FIG. 18 FRAME



REF. NO.	PART NO.	DESCRIPTION	5JA9				REMARKS
1	4WM-21110-10	FRAME COMP.	1				
2	4WM-21190-00	REAR FRAME COMP.	1				
3	90105-12208	BOLT, FLANGE	1				
4	95607-12200	NUT, SELF-LOCKING	1				
5	95827-10035	BOLT, FLANGE	2				
6	4WM-21399-00	CAP, TOOL BOX	2				
7	90105-12208	BOLT, FLANGE	2				
8	90105-12309	BOLT, FLANGE	1				
9	90105-126A6	BOLT, FLANGE	1				
10	95607-12200	NUT, SELF-LOCKING	4				
11	4WM-21314-00	STAY, ENGINE 5	1				
12	4WM-21318-00	STAY, ENGINE 5	1				
13	95827-10016	BOLT, FLANGE	4				
14	4WM-21315-00	STAY, ENGINE 2	1				
15	4WM-21316-00	STAY, ENGINE 3	1				
16	90105-10170	BOLT, FLANGE	2				
17	95607-10200	NUT, SELF-LOCKING	2				
18	4WM-21317-00	STAY, ENGINE 3	1				
19	95827-10025	BOLT, FLANGE	4				
20	4WM-2137F-00	STAY 1	1				
21	90111-10003	BOLT	2				
22	90338-09012	PLUG	2				
23	4WM-21445-01	STAY, MUFFLER 1	1				
24	90110-10191	BOLT, HEXAGON SOCKET HEAD	2				
25	92017-10020	BOLT, BUTTON HEAD	2				
26	3VR-27114-00	STOPPER, MAIN STAND	1				
27	4WM-28100-00	TOOL KIT	1				

FIG. 18 FRAME

REF. NO.	PART NO.	DESCRIPTION	5JAG				REMARKS
28	55K-2811G-00	BAND	1				

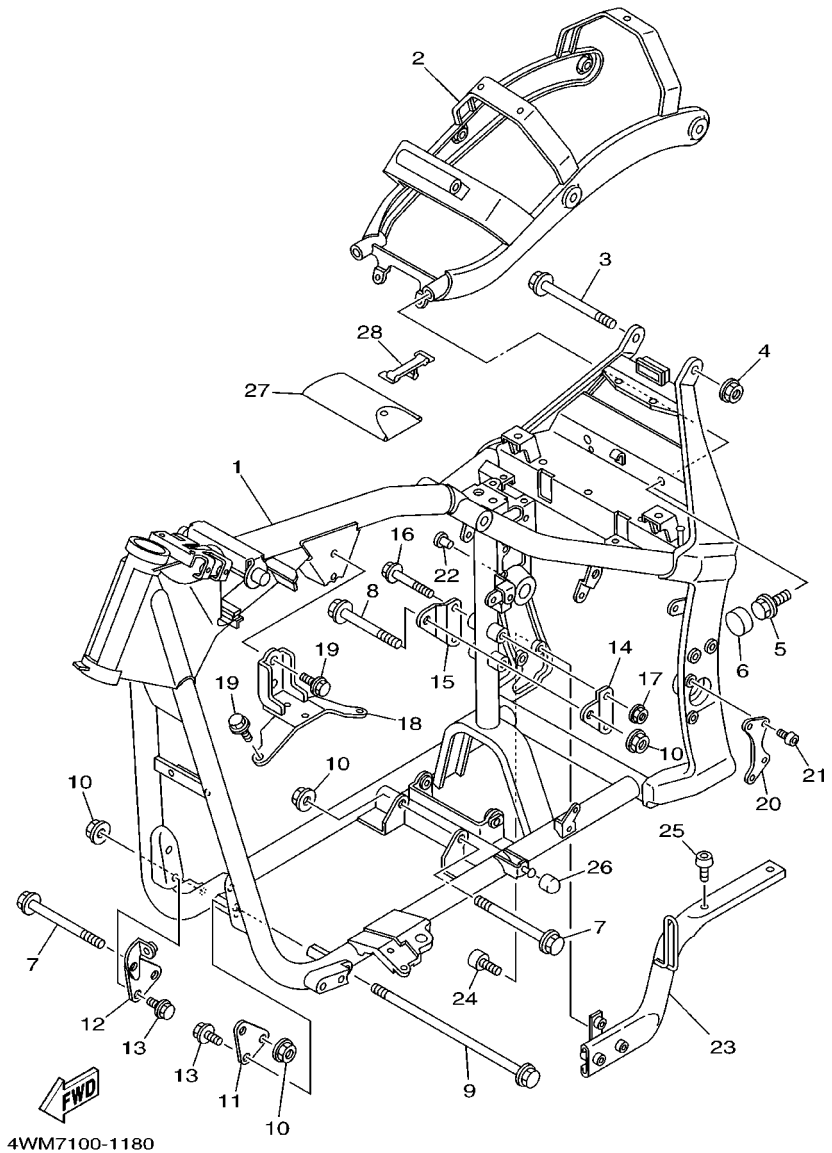
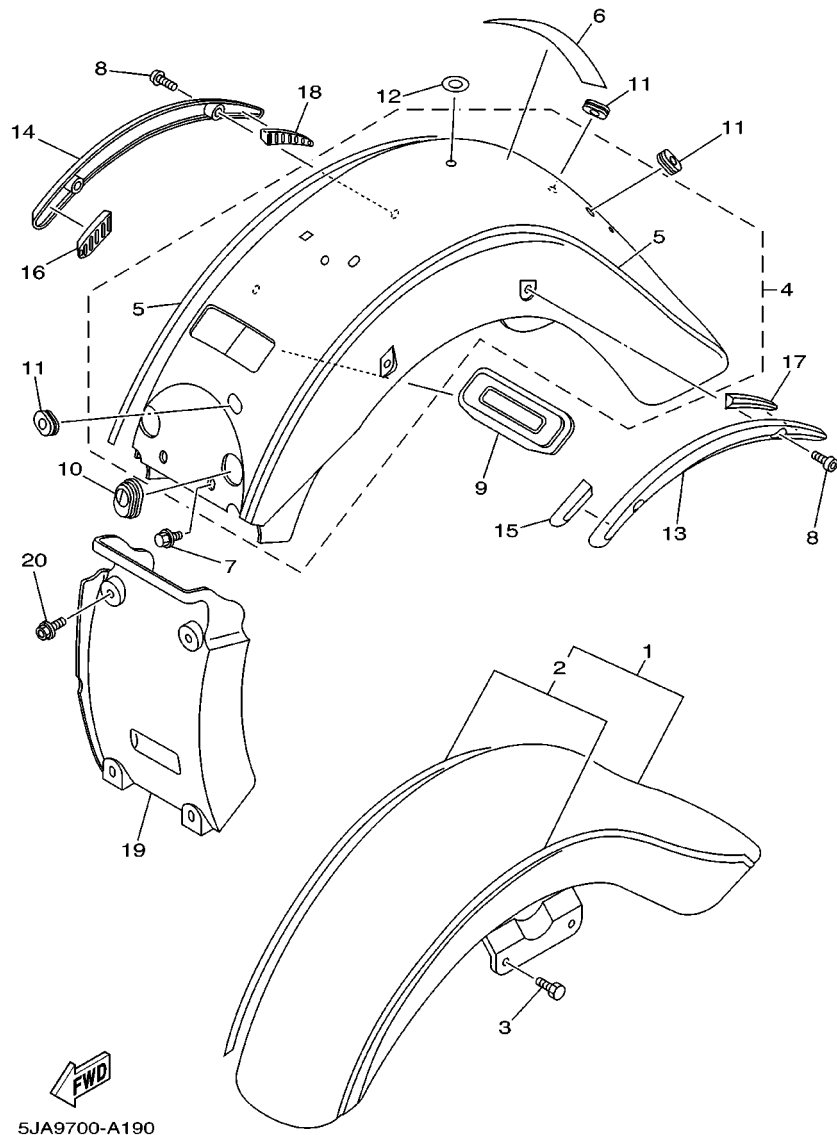


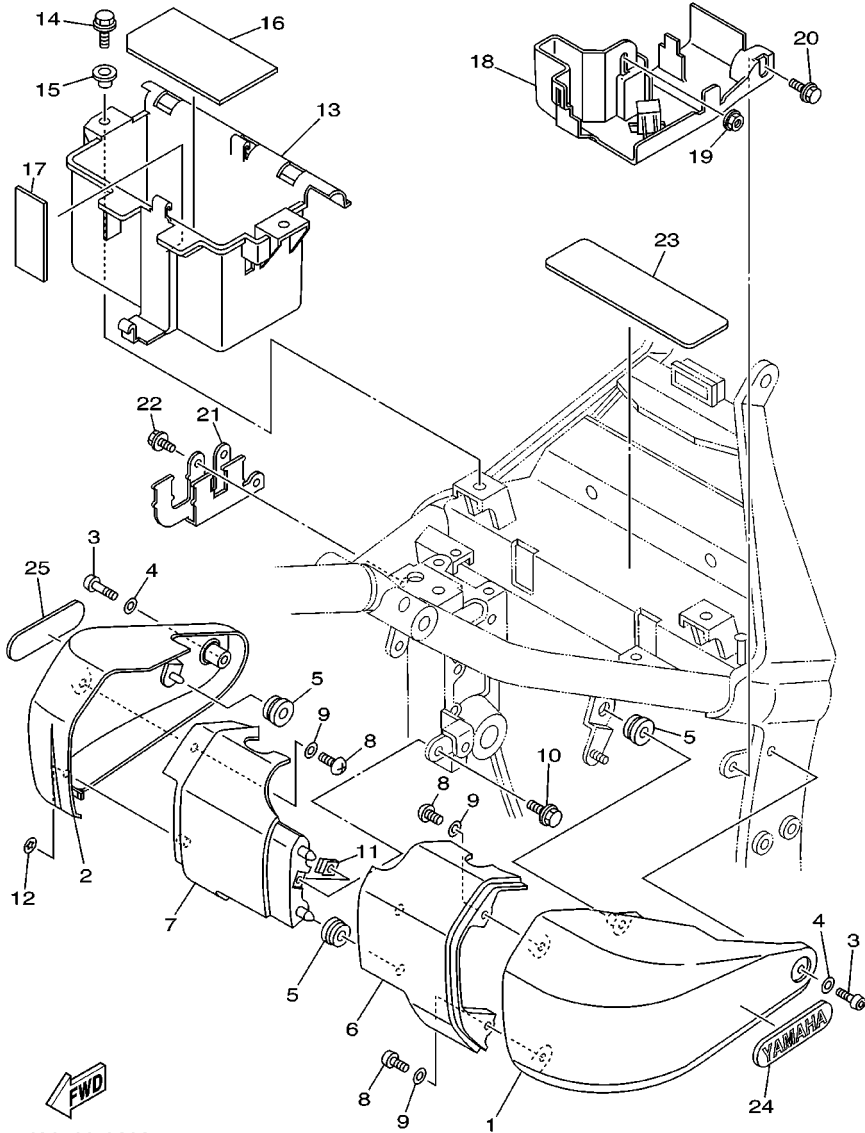
FIG. 19 FENDER



5JA9700-A190

REF. NO.	PART NO.	DESCRIPTION	5JA9	REMARKS
1	4WM-Y2150-G0-P2	FRONT FENDER ASSY	1	UR VDBMA
	4WM-Y2150-J0-9X	FRONT FENDER ASSY	1	UR DPS/LYNM9
2	4WM-21570-C0	.GRAPHIC SET, FRONT FENDER	1	UR FOR VDBMA
	4WM-21570-D0	.GRAPHIC SET, FRONT FENDER	1	UR FOR DPS
3	91314-08025	BOLT	4	
4	4WM-Y2161-G1-P2	REAR FENDER COMP.	1	UR VDBMA
	4WM-Y2161-J1-9X	REAR FENDER COMP.	1	UR DPS/LYNM9
5	4WM-2165A-C0	.GRAPHIC SET, REAR FENDER	1	UR FOR VDBMA
	4WM-2165A-D0	.GRAPHIC SET, REAR FENDER	1	UR FOR DPS
6	99247-00080	EMBLEM, YAMAHA	1	
7	90119-06056	BOLT, WITH WASHER	2	
8	92014-08025	BOLT, BUTTON HEAD	4	
9	4WM-21649-00	DAMPER	1	
10	4WM-21638-00	DAMPER 1	2	
11	90480-15061	GROMMET	3	
12	4NK-21735-00	SEAL 2	1	
13	4WM-2164F-00	STAY 1	1	
14	4WM-2164G-00	STAY 2	1	
15	4WM-21541-00	DAMPER 1	1	
16	4WM-21542-00	DAMPER 2	1	
17	4WM-2174X-00	DAMPER	1	
18	4WM-2174Y-00	DAMPER	1	
19	4WM-21629-00-P4	GUARD, MUD	1	UR VDBMA
	4WM-21629-00-P2	GUARD, MUD	1	UR LYNM9 FOR DPS
20	90119-06060	BOLT, WITH WASHER	4	

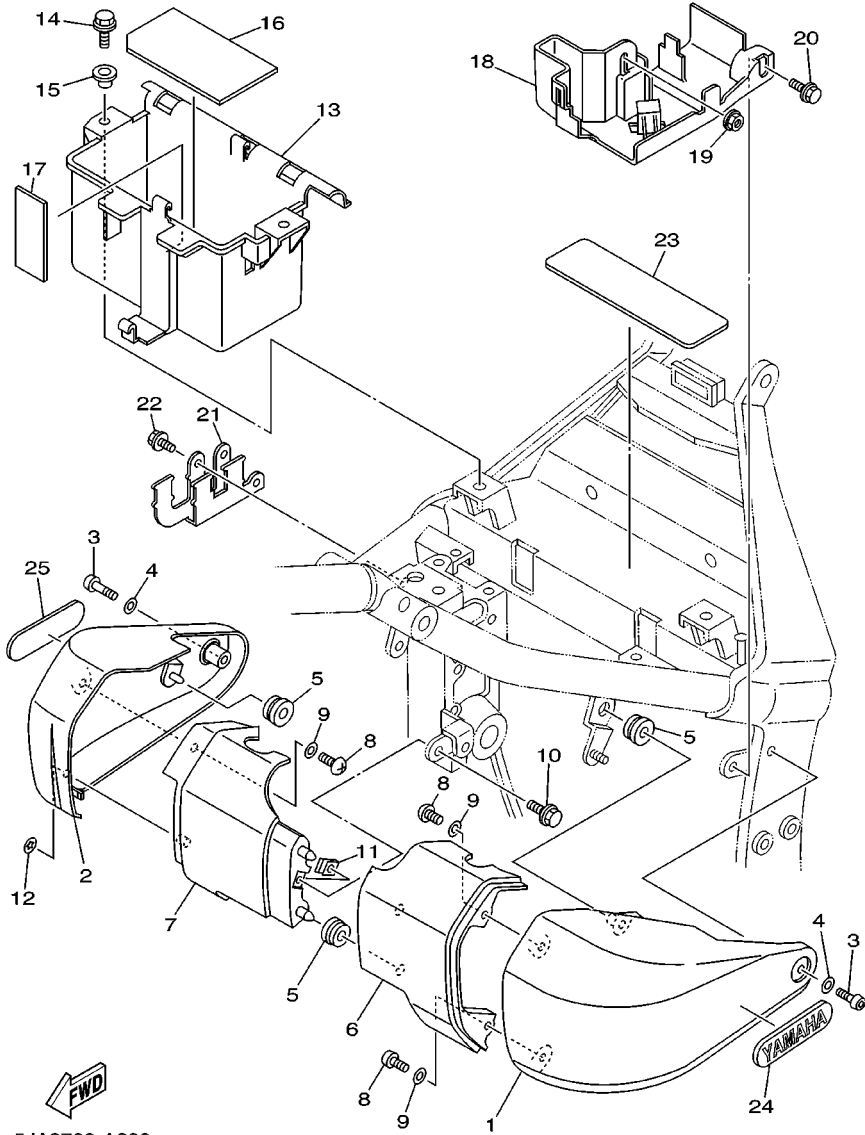
FIG. 20 SIDE COVER



5JA9700-A200

REF. NO.	PART NO.	DESCRIPTION	5JA9	REMARKS
1	4WM-21711-00-P4	COVER, SIDE 1	1	UR VDBMA
	4WM-21711-00-KU	COVER, SIDE 1	1	UR DPS
2	4WM-21721-00-P4	COVER, SIDE 2	1	UR VDBMA
	4WM-21721-00-KU	COVER, SIDE 2	1	UR DPS
3	90149-06328	SCREW	2	
4	90202-06172	WASHER, PLATE	2	
5	90480-13567	GROMMET	4	
6	4WM-2117X-00-P4	COVER 9	1	UR VDBMA
	4WM-2117X-00-KU	COVER 9	1	UR DPS
7	4WM-2117Y-00-P4	COVER 10	1	UR VDBMA
	4WM-2117Y-00-KU	COVER 10	1	UR DPS
8	98507-06014	SCREW, PAN HEAD	3	
9	92907-06600	WASHER, PLATE	3	
10	95027-06012	BOLT, FLANGE	1	
11	90183-06053	NUT, SPRING	1	
12	90183-05068	NUT, SPRING	1	
13	4WM-2177G-00	BOX, BATTERY	1	
14	95807-06014	BOLT, FLANGE	2	
15	90387-07717	COLLAR	2	
16	51Y-82122-00	SEAT, BATTERY	1	
17	26H-21746-00	DAMPER	1	
18	4WM-2172E-00	STAY, SIDE COVER 1	1	
19	95707-06500	NUT, FLANGE	1	
20	90119-06194	BOLT, WITH WASHER	1	
21	4WM-2172K-00	BRACKET 1	1	
22	95807-06010	BOLT, FLANGE	2	
23	4WM-21267-00	SHEET 2	1	

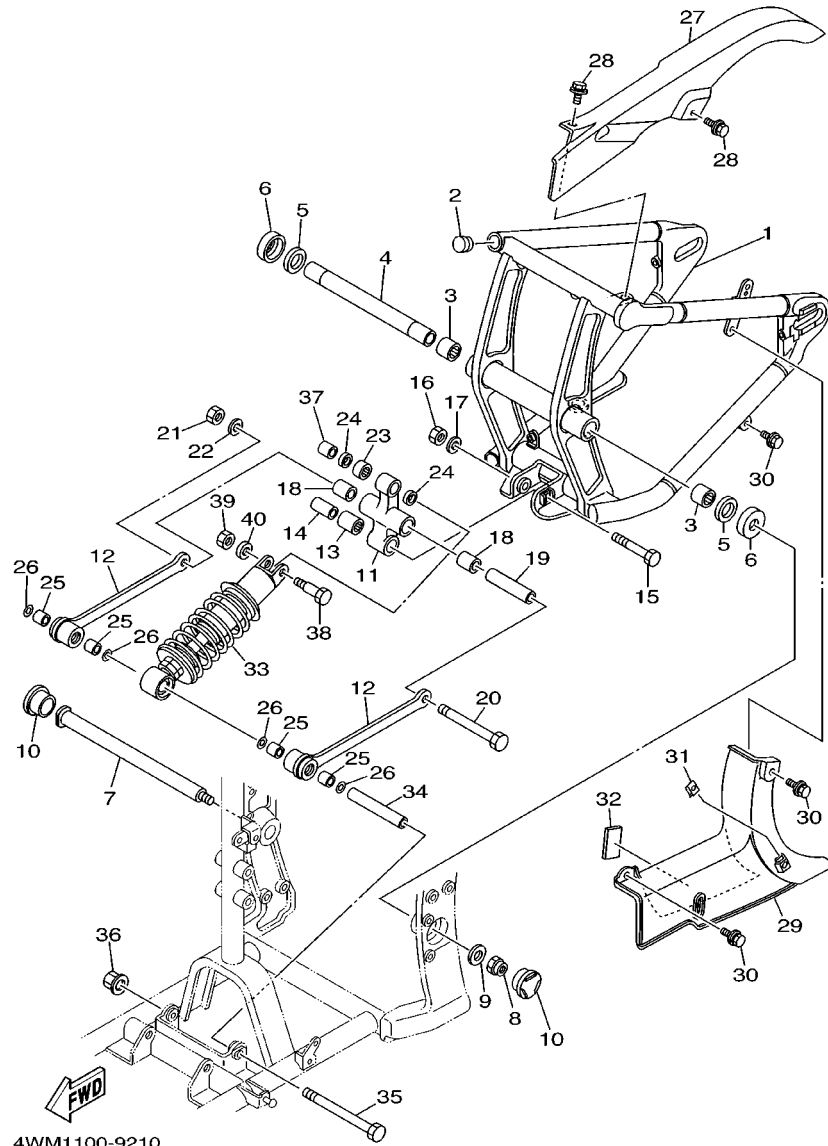
FIG. 20 SIDE COVER



5JA9700-A200

REF. NO.	PART NO.	DESCRIPTION	5JA9				REMARKS
24	3LS-21781-00	EMBLEM 1	1				
25	3LS-21781-00	EMBLEM 1	1				

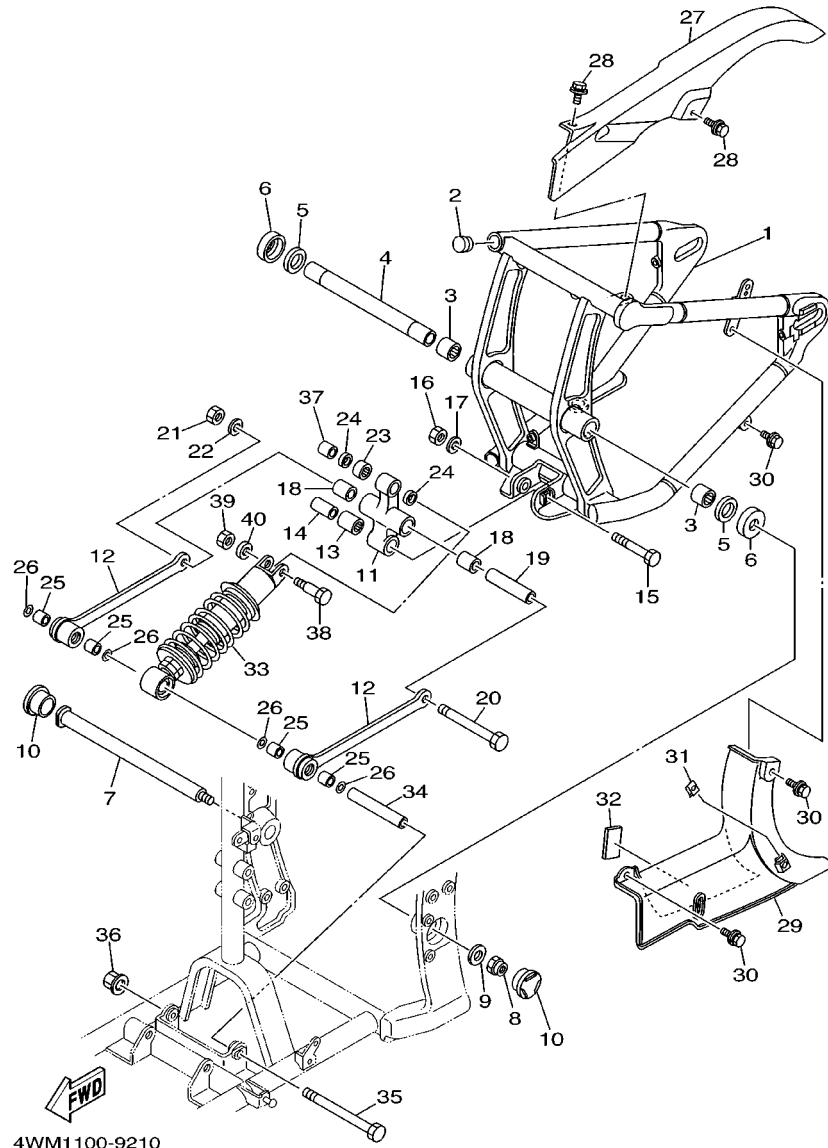
FIG. 21 REAR ARM. SUSPENSION



4WM1100-9210

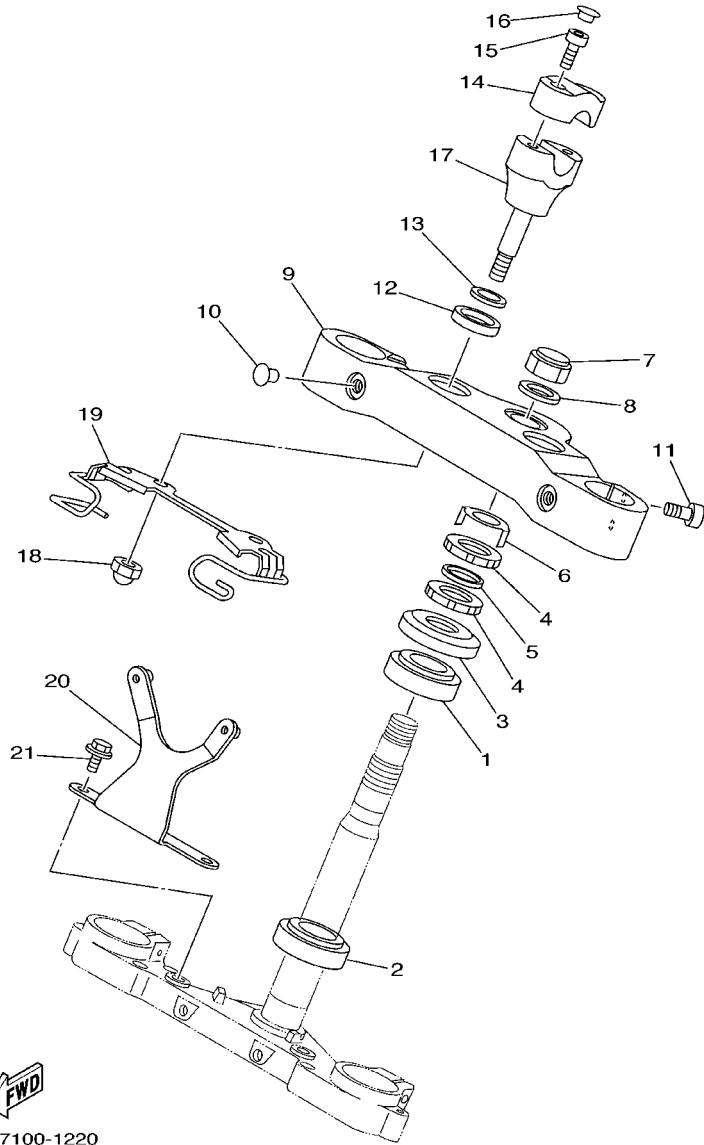
REF. NO.	PART NO.	DESCRIPTION	5JA9				REMARKS
1	4WM-22110-00	REAR ARM COMP.	1				
2	90336-28053	PLUG, TAPER	1				
3	93317-42550	BEARING	2				
4	4WM-22184-00	BUSH	1				
5	3XV-22127-00	SHIM	2				
6	3FV-22128-00	COVER, THRUST 1	2				
7	3GM-25381-A0	AXLE, WHEEL	1				
8	90185-18104	NUT, SELF-LOCKING	1				
9	90201-186M4	WASHER, PLATE	1				
10	4KM-2219X-00	COVER	2				
11	4WM-2217A-00	ARM, RELAY	1				
12	4WM-2217M-00	ARM 1	2				
13	93317-42060	BEARING	1				
14	90387-122J6	COLLAR	1				
15	90101-12002	BOLT	1				
16	95617-12100	NUT, U	1				
17	90201-127J6	WASHER, PLATE	1				
18	93317-41761	BEARING	2				
19	90387-126T1	COLLAR	1				
20	90101-12673	BOLT	1				
21	95617-12100	NUT, U	1				
22	90201-126A7	WASHER, PLATE	1				
23	93317-31771	BEARING	1				
24	93109-17071	OIL SEAL	2				
25	90384-18157	BUSH, BIMETAL FORMED	4				
26	93210-18397	O-RING	4				
27	4WM-22311-00	CASE, CHAIN	1				

FIG. 21 REAR ARM. SUSPENSION



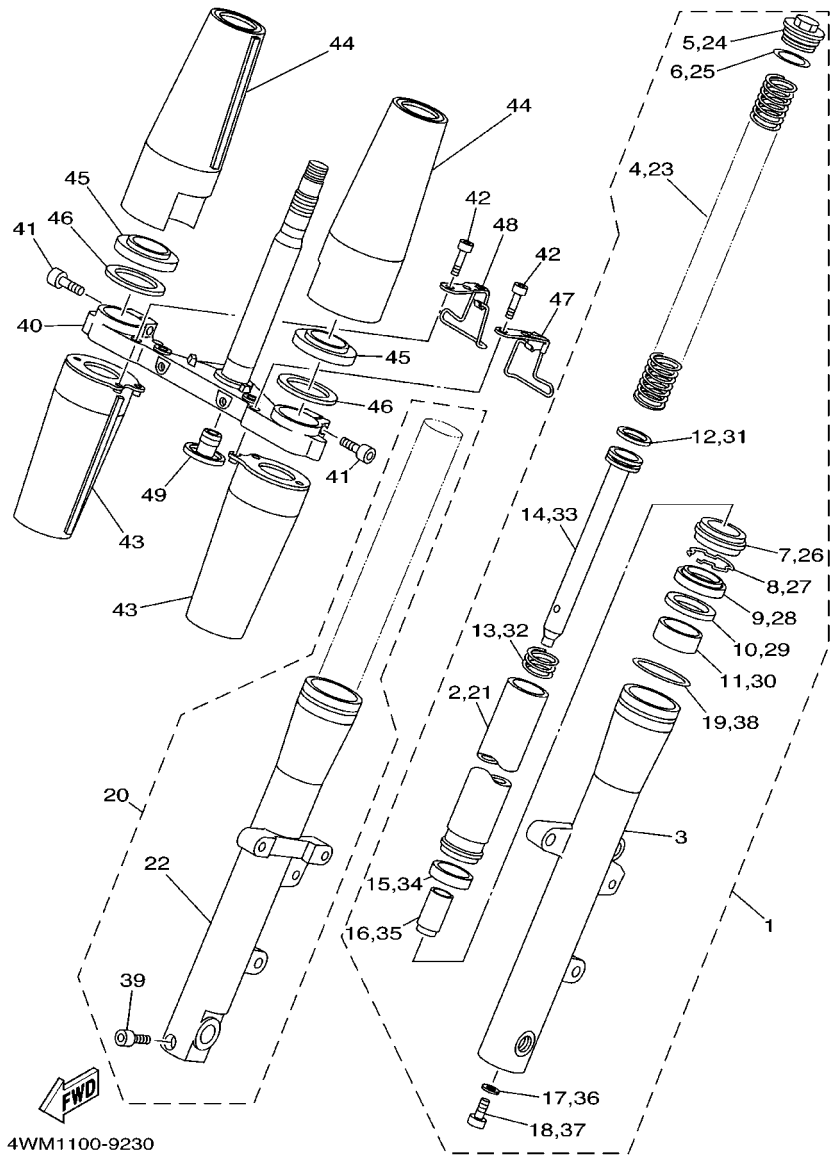
REF. NO.	PART NO.	DESCRIPTION	5JA9	REMARKS
28	90119-06217	BOLT, WITH WASHER	2	
29	4WM-22312-00	CASE, CHAIN 2	1	
30	90119-06001	BOLT, WITH WASHER	3	
31	90183-06053	NUT, SPRING	1	
32	22F-2139X-00	DAMPER	1	
33	5JA-22210-00	SHOCK ABSORBER ASSY, REAR	1	
34	90387-1214E	COLLAR	1	
35	90101-12695	BOLT	1	
36	95607-12200	NUT, SELF-LOCKING	1	
37	90387-127W0	COLLAR	1	
38	90101-10659	BOLT	1	
39	95617-10100	NUT, U	1	
40	90201-101J1	WASHER, PLATE	1	

FIG. 22 STEERING



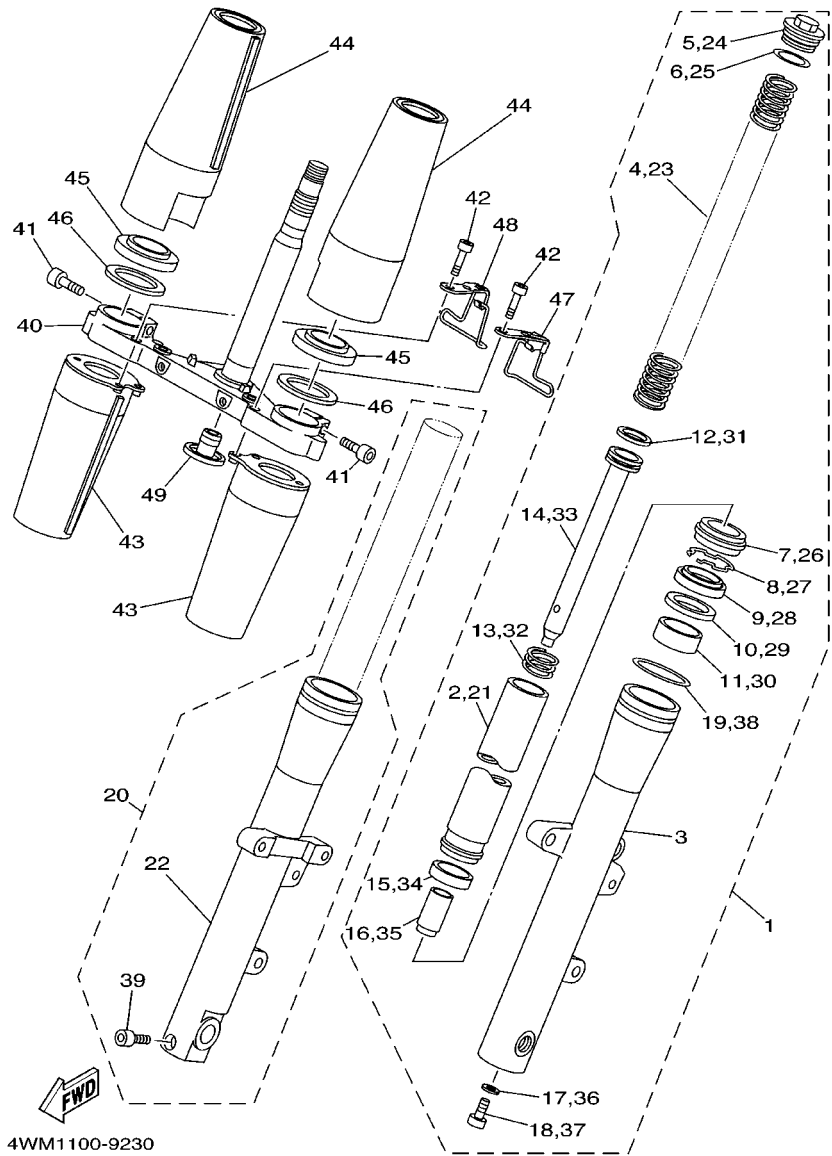
REF. NO.	PART NO.	DESCRIPTION	5/JA9				REMARKS
1	93332-00001	BEARING	1				
2	93332-00008	BEARING	1				
3	1W1-23416-00	COVER, BALL RACE 2	1				
4	90179-25033	NUT	2				
5	90202-26142	WASHER, PLATE	1				
6	26H-23418-01	WASHER, SPECIAL	1				
7	90176-22081	NUT, CROWN	1				
8	90201-220T0	WASHER, PLATE	1				
9	4WM-W2341-00	CROWN, HANDLE	1				
10	4WM-23497-00	GROMMET	2				
11	91314-06030	BOLT	4				
12	3DM-23445-00	DAMPER	2				
13	90201-14220	WASHER, PLATE	2				
14	4VR-23441-00	HOLDER, HANDLE UPPER	2				
15	91314-08025	BOLT	4				
16	90338-08163	PLUG	4				
17	4VR-23442-00	HOLDER, HANDLE LOWER	2				
18	90176-12052	NUT, CROWN	2				
19	4WM-23389-00	GUIDE, CABLE	1				
20	4WM-23174-00	STAY, HEADLIGHT	1				
21	90105-06010	BOLT, FLANGE	2				

FIG. 23 FRONT FORK



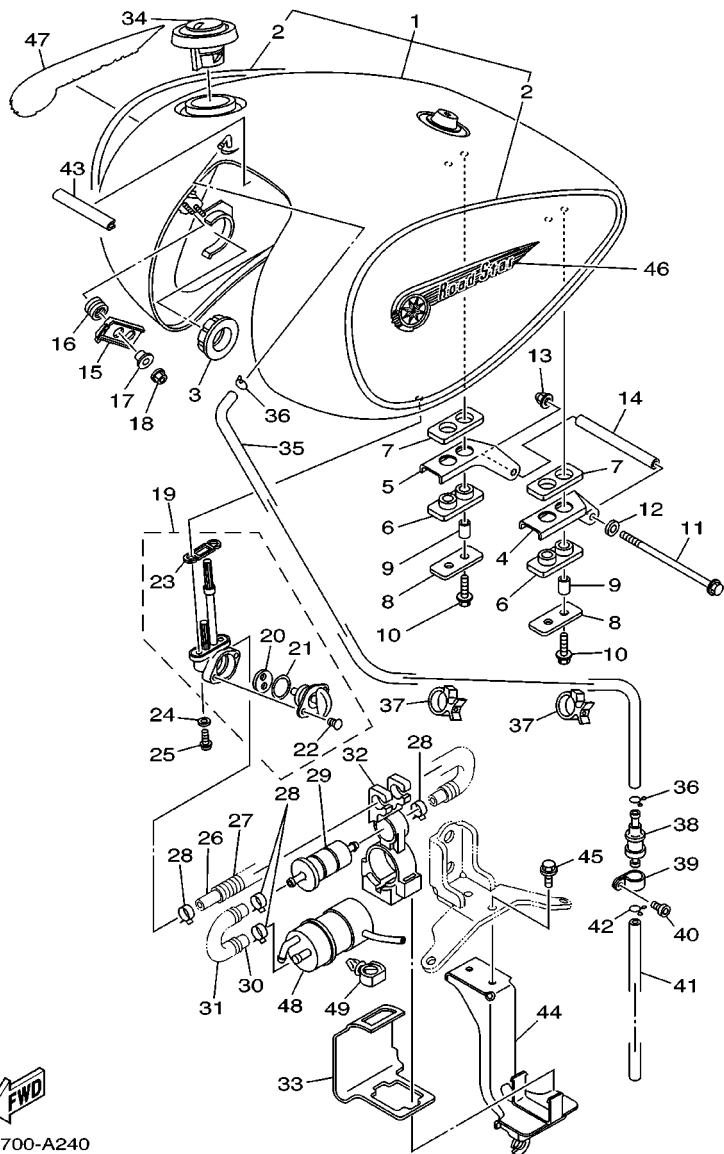
REF. NO.	PART NO.	DESCRIPTION	5JAG	REMARKS
1	4WM-23102-00	FRONT FORK ASSY (L.H)	1	
2	4WM-23110-00	.INNER TUBE COMP.1	1	
3	4NK-23126-00	.TUBE, OUTER (LEFT)	1	
4	4WM-23141-00	.SPRING, FRONT FORK	1	
5	4WM-23111-00	.BOLT, CAP	1	
6	4NK-23147-00	.O-RING	1	
7	4NK-23144-00	.SEAL, DUST	1	
8	34L-23153-00	.RING, SNAP	1	
9	4NK-23145-00	.OIL SEAL	1	
10	4NK-23146-00	.WASHER, OIL SEAL	1	
11	4NK-23125-00	.METAL, SLIDE 1	1	
12	4NK-23157-00	.RING, PISTON	1	
13	4NK-23151-00	.SPRING, REBOUND	1	
14	4WM-23171-00	.PISTON, FRONT FORK	1	
15	4NK-23135-00	.METAL, SLIDE 2	1	
16	4WM-23166-00	.SPACER, OIL LOCK	1	
17	3MA-23129-10	.GASKET, DRAIN PLUG	1	
18	4NK-23181-00	.BOLT, HEXAGON SOCKET HEAD	1	
19	4NK-23193-00	.GUIDE, BOOT	1	
20	4WM-23103-00	FRONT FORK ASSY (R.H)	1	
21	4WM-23110-00	.INNER TUBE COMP.1	1	
22	4NK-23136-00	.TUBE, OUTER (RIGHT)	1	
23	4WM-23141-00	.SPRING, FRONT FORK	1	
24	4WM-23111-00	.BOLT, CAP	1	
25	4NK-23147-00	.O-RING	1	
26	4NK-23144-00	.SEAL, DUST	1	
27	34L-23153-00	.RING, SNAP	1	

FIG. 23 FRONT FORK



REF. NO.	PART NO.	DESCRIPTION	5JA9	REMARKS
28	4NK-23145-00	.OIL SEAL	1	
29	4NK-23146-00	.WASHER, OIL SEAL	1	
30	4NK-23125-00	.METAL, SLIDE 1	1	
31	4NK-23157-00	.RING, PISTON	1	
32	4NK-23151-00	.SPRING, REBOUND	1	
33	4WM-23171-00	.PISTON, FRONT FORK	1	
34	4NK-23135-00	.METAL, SLIDE 2	1	
35	4WM-23166-00	.SPACER, OIL LOCK	1	
36	3MA-23129-10	.GASKET, DRAIN PLUG	1	
37	4NK-23181-00	.BOLT, HEXAGON SOCKET HEAD	1	
38	4NK-23193-00	.GUIDE, BOOT	1	
39	1KT-23181-00	.BOLT, HEXAGON SOCKET HEAD	1	
40	4WM-23340-00	UNDER BRACKET COMP.	1	
41	38W-23181-00	BOLT, HEXAGON SOCKET HEAD	4	
42	4NK-23181-10	BOLT, HEXAGON SOCKET HEAD	6	
43	4WM-23123-00	COVER, LOWER 1	2	
44	4NK-23121-00	COVER, UPPER 1	2	
45	4NK-23163-00	GASKET	2	
46	4NK-23165-00	WASHER, FELT	2	
47	4WM-25876-00	HOLDER, BRAKE HOSE 2	1	
48	4WM-25887-00	HOLDER, BRAKE HOSE	1	
49	4KM-23123-01	COVER, LOWER 1	1	

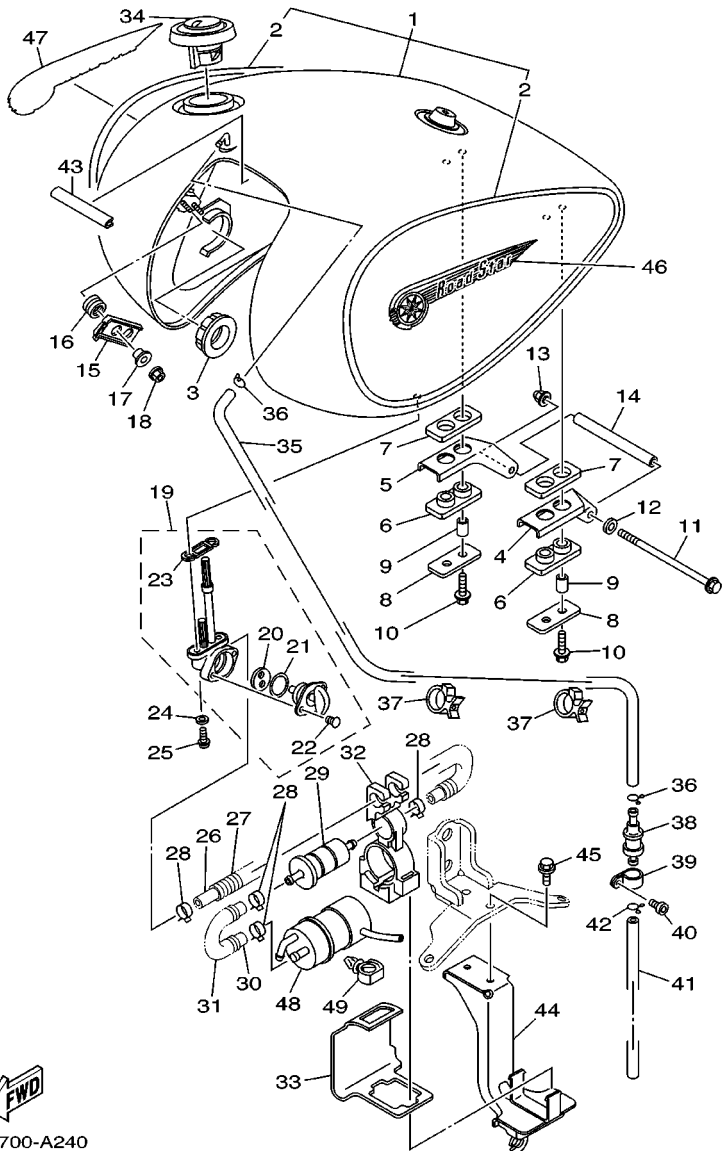
FIG. 24 FUEL TANK



5JA9700-A240

REF. NO.	PART NO.	DESCRIPTION	5JA9		REMARKS
1	4WM-Y2410-31-X7	FUEL TANK COMP.	1		UR VDBMA
	4WM-Y2410-31-X9	FUEL TANK COMP.	1		UR DPS/LYNM9
2	5GA-24240-30	.GRAPHIC SET	1		UR FOR VDBMA
	4WM-24240-80	.GRAPHIC SET	1		UR FOR DPS
3	2YK-24181-10	DAMPER, LOCATING 1	2		
4	4WM-24191-00	BRACKET, FUEL TANK 1	1		
5	4WM-24192-00	BRACKET, FUEL TANK 2	1		
6	2GH-24181-00	DAMPER, LOCATING 1	2		
7	2GH-24183-00	DAMPER, LOCATING 3	2		
8	2GH-24186-00	WASHER, SPECIAL	2		
9	90387-06299	COLLAR	4		
10	95807-06025	BOLT, FLANGE	4		
11	95827-06130	BOLT, FLANGE	1		
12	90201-06557	WASHER, PLATE	1		
13	90176-06055	NUT, CROWN	1		
14	90387-0615R	COLLAR	1		
15	4WM-24291-00	BRACKET, FUEL TANK 1	2		
16	4WM-24339-00	GROMMET	4		
17	90387-050T5	COLLAR	4		
18	95707-05500	NUT, FLANGE	4		
19	4WM-24500-00	FUEL COCK ASSY 1	1		
20	3AJ-24523-00	.VALVE PACKING	1		
21	3AJ-24534-00	.SEAL, COCK	1		
22	97801-03008	.SCREW, PAN HEAD	2		
23	4X8-24512-00	.O-RING	1		
24	90202-05193	WASHER, PLATE	2		
25	90149-06011	SCREW	2		

FIG. 24 FUEL TANK



5JA9700-A240

REF. NO.	PART NO.	DESCRIPTION	5JA9	REMARKS
26	4WM-24311-00	PIPE, FUEL 1	1	
27	4WM-24393-00	SPRING	1	
28	90467-13083	CLIP	4	
29	1FK-24560-10	FILTER ASSY	1	
30	4WM-24312-00	PIPE 2	1	
31	4WM-24394-00	SPRING	1	
32	4WM-24398-00	BAND 1	1	
33	4WM-24217-00	COVER	1	
34	4NK-24602-10	CAP ASSY	1	
35	4WM-24321-00	PIPE 10	1	
36	90467-10041	CLIP	2	
37	90464-25217	CLAMP	2	
38	4WM-24180-00	ROLL OVER VALVE ASSY	1	
39	90461-15100	CLAMP	1	
40	98907-05012	SCREW, BIND	1	
41	90445-112K5	HOSE (L355)	1	
42	90467-10041	CLIP	1	
43	4GY-24188-00	MOLD, FUEL TANK	1	
44	4WM-24491-01	BRACKET, FUEL PUMP	1	
45	95807-06016	BOLT, FLANGE	2	
46	4WM-2416B-00	EMBLEM	1	
47	4WM-2417B-00	EMBLEM	1	
48	4WM-13907-00	FUEL PUMP COMP.	1	
49	90464-13249	CLAMP	1	

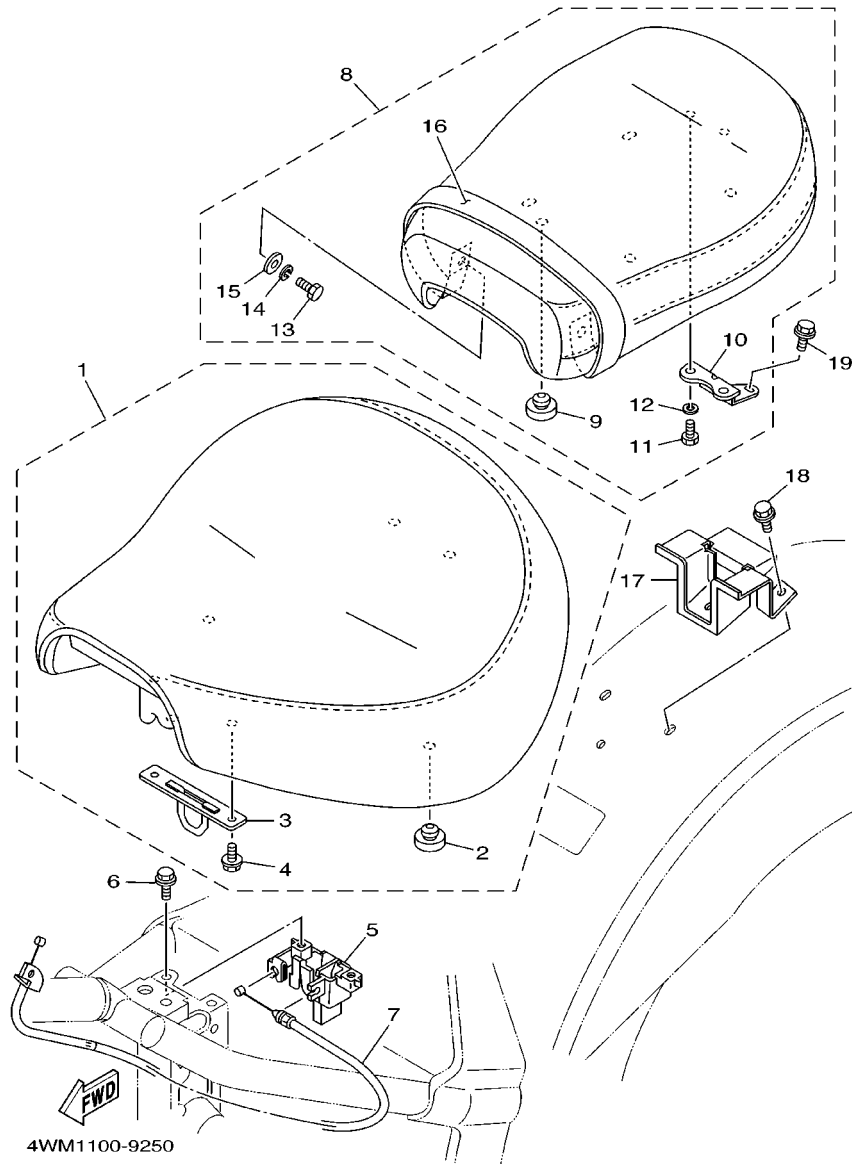
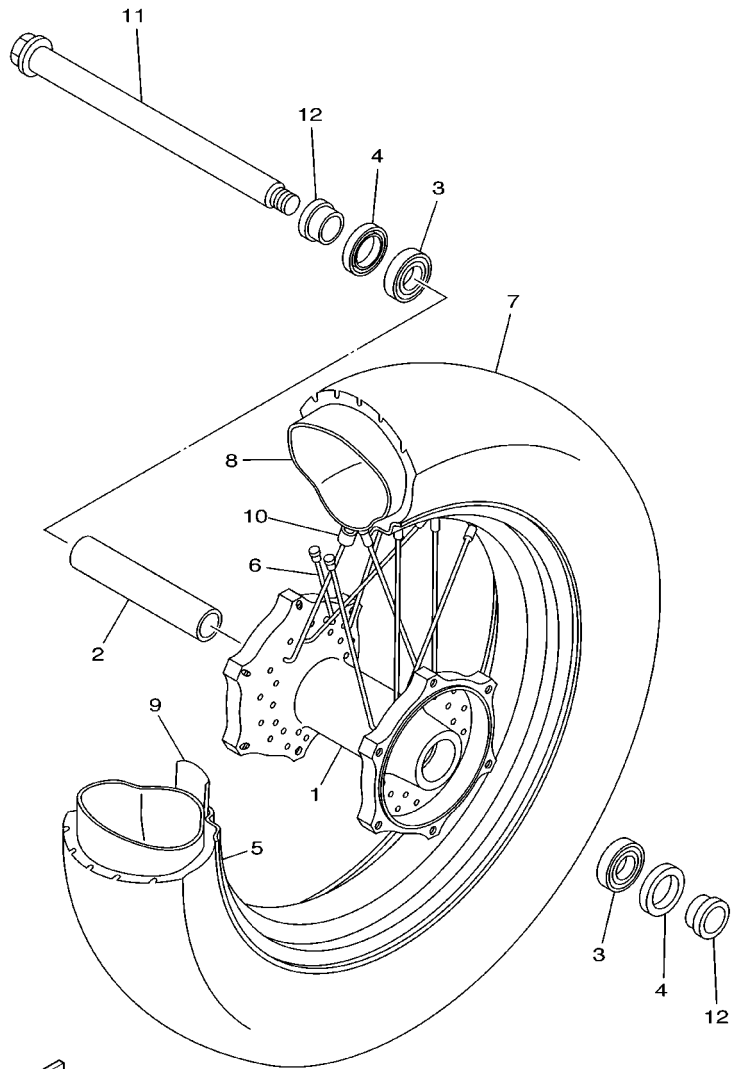


FIG. 25 SEAT

REF. NO.	PART NO.	DESCRIPTION	5JA9	REMARKS
1	4WM-24710-00	SINGLE SEAT ASSY	1	
2	22W-24741-00	.PAD, SEAT	5	
3	4WM-24728-00	.BRACKET, SEAT	1	
4	95807-06012	.BOLT, FLANGE	2	
5	4JP-24780-03	SEAT LOCK ASSY	1	
6	95807-06016	BOLT, FLANGE	2	
7	4WM-2478E-00	CABLE, SEAT LOCK	1	
8	4WM-24750-00	TANDEM SEAT ASSY	1	
9	22W-24741-00	.PAD, SEAT	5	
10	4NK-2471A-00	.STAY, SEAT	1	
11	97007-06016	.BOLT	2	
12	92907-06100	.WASHER, SPRING	2	
13	97007-06020	.BOLT	2	
14	92907-06100	.WASHER, SPRING	2	
15	90201-06380	.WASHER, PLATE	2	
16	4WM-24734-00	.BAND, SEAT	1	
17	4WM-2475H-00	BRACKET, SEAT LEVER 1	1	
18	95827-06012	BOLT, FLANGE	3	
19	95024-08012	BOLT, FLANGE	1	

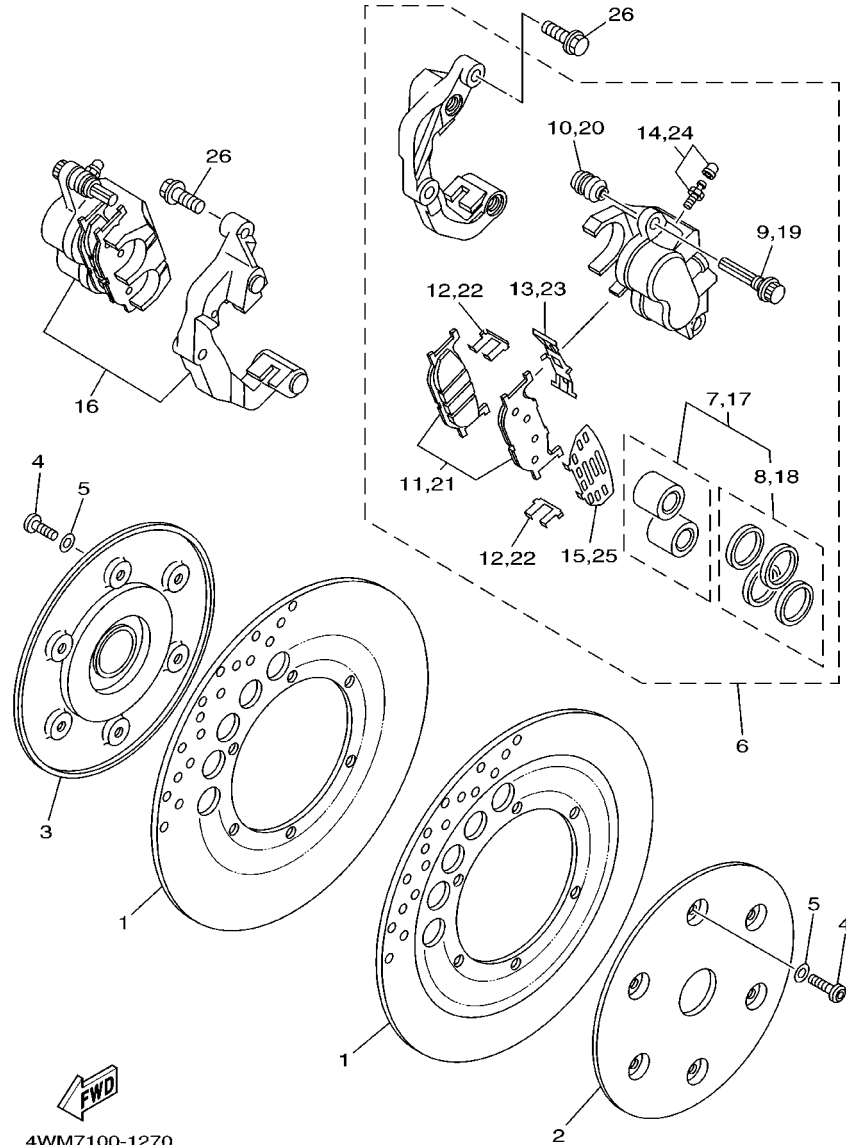
FIG. 26 FRONT WHEEL



4WM1100-9260

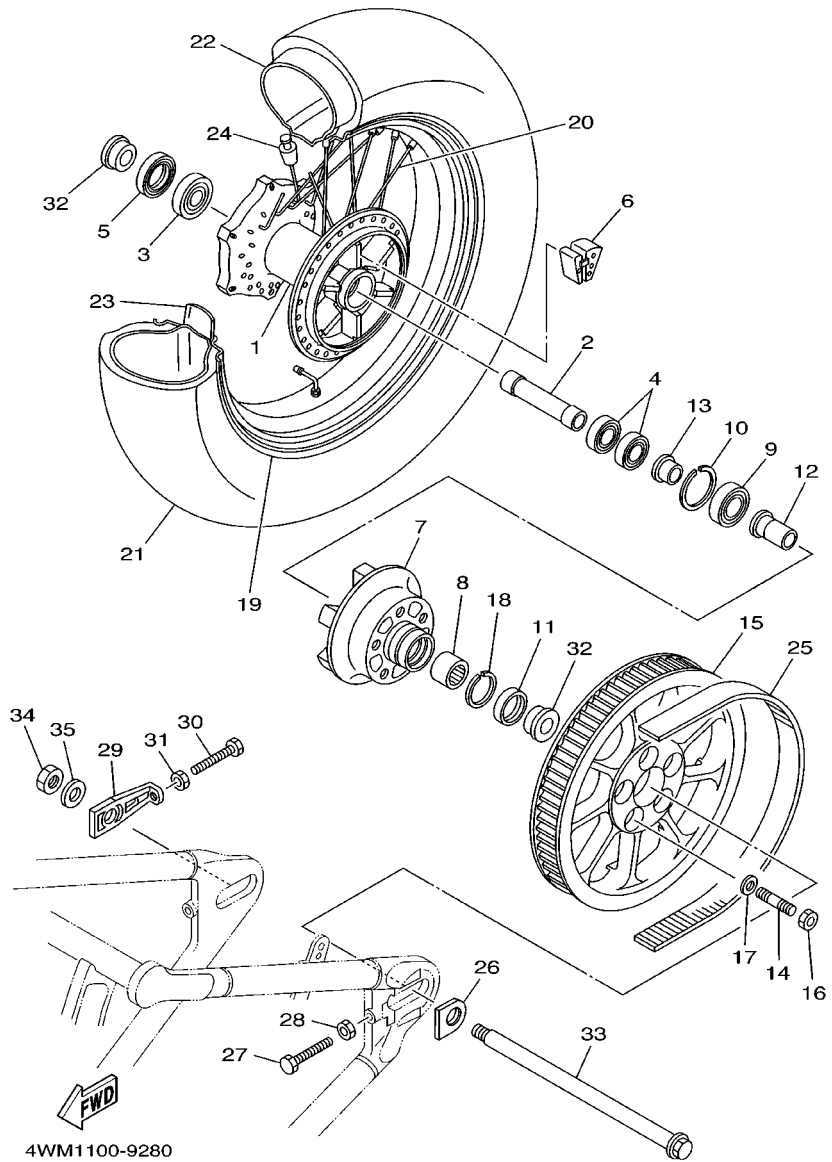
REF. NO.	PART NO.	DESCRIPTION	5JA9	REMARKS
1	4WM-25111-00	HUB, FRONT	1	
2	90387-2208J	COLLAR	1	
3	93306-00420	BEARING (B6004)	2	
4	93106-28043	OIL SEAL	2	
5	94430-16608	RIM	1	
6	4WM-25104-01	SPOKE SET, FRONT	1	
7	94113-1614U	TIRE (130/90-16 67H G703)	1	UR BRIDGESTONE
	94113-1614S	TIRE (130/90-16 67H D404)	1	UR DUNLOP
8	94213-16306	TUBE(130/90-16 TR4)	1	UR BRIDGESTONE
	94213-16305	TUBE (130/90-16 TR4)	1	UR DUNLOP
9	94330-16176	BAND, RIM (3.00-16)	1	UR BRIDGESTONE
	94313-16179	BAND,RIM (130/90-16 W)	1	UR DUNLOP
10	5V4-25398-00	BALANCER, WHEEL	1	UN
11	4NK-25181-00	AXLE, WHEEL	1	
12	90387-2200T	COLLAR	2	

FIG. 27 FRONT BRAKE CALIPER



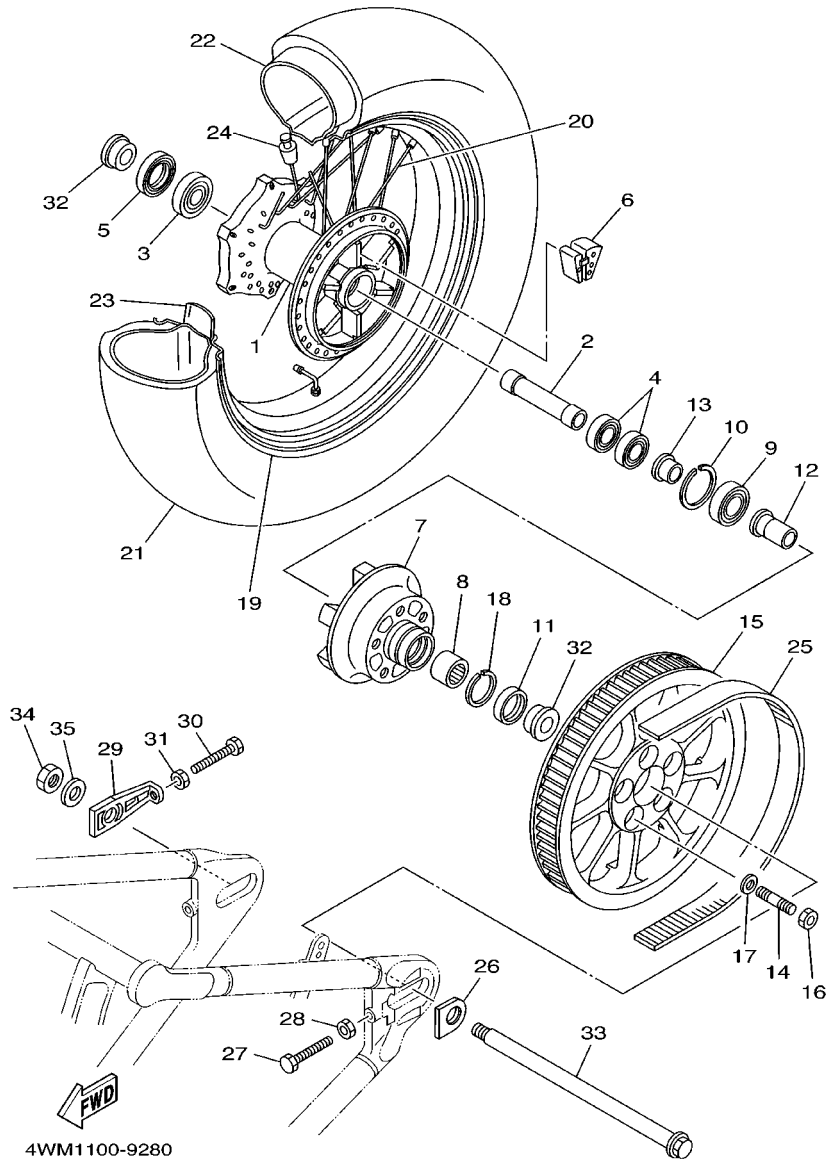
REF. NO.	PART NO.	DESCRIPTION	5JA9				REMARKS
1	3JB-2582U-01	DISC, BRAKE (RIGHT)	2				
2	4NK-2514A-00	RING, WHEEL 1 (LEFT)	1				
3	4WM-2515A-00	RING, WHEEL 2 (RIGHT)	1				
4	90109-08006	BOLT	12				
5	90201-08014	WASHER, PLATE	12				
6	4WM-2580T-00	CALIPER ASSY (LEFT)	1				
7	3JB-W0057-00	.PISTON ASSY, CALIPER	1				
8	3JB-W0047-00	..CALIPER SEAL KIT	1				
9	4TT-25914-00	.PIN, SLIDE	1				
10	4TT-25937-00	.BOOT 2	1				
11	4WM-W0045-00	.BRAKE PAD KIT	1				
12	4BP-25919-00	.SUPPORT, PAD	2				
13	3YX-25929-00	.SPRING, ANTI RATTLE	1				
14	51L-W0048-00	.BLEED SCREW KIT	1				
15	5BN-25827-00	.SHIM, CALIPER	1				
16	4WM-2580U-00	CALIPER ASSY (RIGHT)	1				
17	3JB-W0057-00	.PISTON ASSY, CALIPER	1				
18	3JB-W0047-00	..CALIPER SEAL KIT	1				
19	4TT-25914-00	.PIN, SLIDE	1				
20	4TT-25937-00	.BOOT 2	1				
21	4WM-W0045-00	.BRAKE PAD KIT	1				
22	4BP-25919-00	.SUPPORT, PAD	2				
23	3YX-25929-00	.SPRING, ANTI RATTLE	1				
24	51L-W0048-00	.BLEED SCREW KIT	1				
25	5BN-25827-00	.SHIM, CALIPER	1				
26	90105-10638	BOLT, FLANGE	4				

FIG. 28 REAR WHEEL



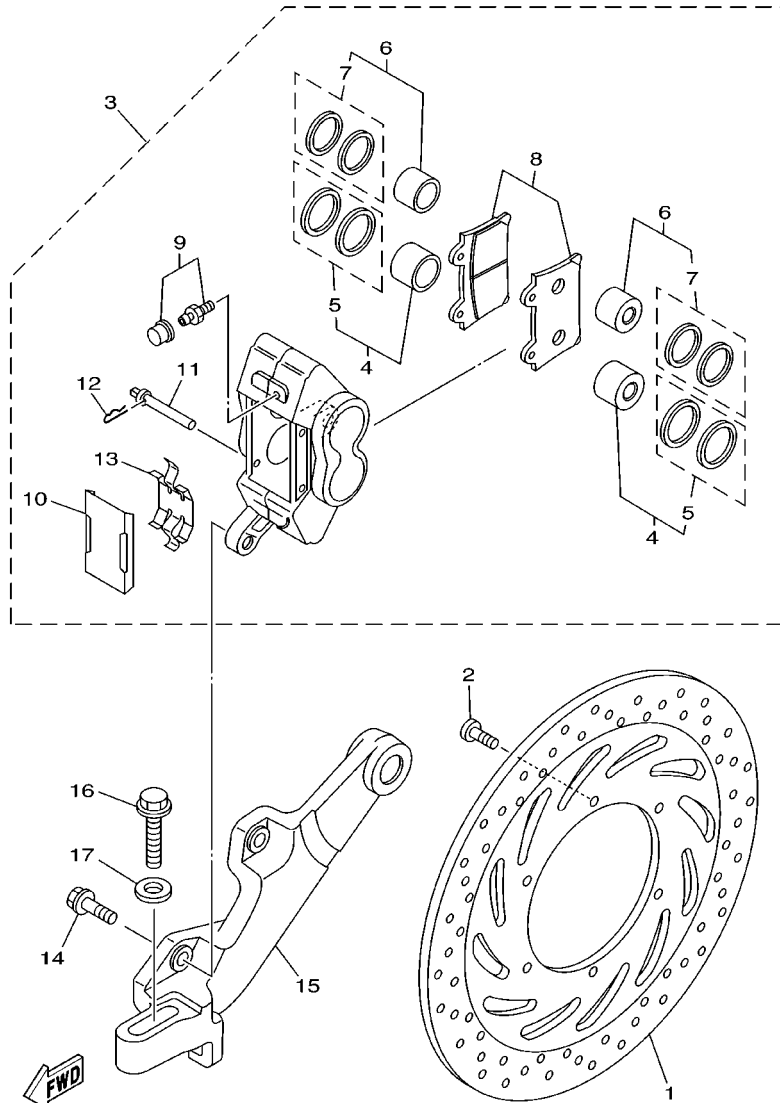
REF. NO.	PART NO.	DESCRIPTION	5JA9	REMARKS
1	4WM-25311-00	HUB, REAR	1	
2	90560-20339	SPACER	1	
3	93306-30437	BEARING	1	
4	93306-00416	BEARING (B6004RS)	2	
5	93106-30029	OIL SEAL	1	
6	4WM-25364-00	DAMPER	6	
7	4WM-25366-00	CLUTCH, HUB	1	
8	93317-32677	BEARING	1	
9	93306-20551	BEARING	1	
10	99009-52500	CIRCLIP	1	
11	93106-30004	OIL SEAL	1	
12	4WM-25376-00	COLLAR, WHEEL	1	
13	4WM-25377-00	COLLAR, WHEEL	1	
14	95617-12630	BOLT, STUD	5	
15	4WM-25470-00	SPROCKET, DRIVEN (70T)	1	
16	95614-12100	NUT, U	5	
17	90201-120E8	WASHER, PLATE	5	
18	93450-35015	CIRCLIP	1	
19	94435-16609	RIM	1	
20	4WM-25304-01	SPOKE SET, REAR	1	
21	94115-1614V	TIRE (150/80-16 71H G702)	1	UR BRIDGESTONE
	94115-1614T	TIRE (150/80-16 71H D404)	1	UR DUNLOP
22	94215-16311	TUBE(150/80-16 PV78N)	1	UR BRIDGESTONE
	94215-16310	TUBE (150/80-16 PV78N)	1	UR DUNLOP
23	94315-16178	BAND,RIM (3.50-16)	1	UR BRIDGESTONE
	94315-16177	BAND,RIM (150/80-16)	1	UR DUNLOP
24	5V4-25398-00	BALANCER, WHEEL	1	UN

FIG. 28 REAR WHEEL



REF. NO.	PART NO.	DESCRIPTION	5JAG	REMARKS
25	4WM-46241-00	V-BELT	1	
26	4WM-25388-00	PULLER, CHAIN 1	1	
27	90101-10001	BOLT	1	
28	90170-10003	NUT	1	
29	4WM-25389-00	PULLER, CHAIN 2	1	
30	90101-10001	BOLT	1	
31	90170-10003	NUT	1	
32	90387-202X9	COLLAR	2	
33	4WM-25381-00	AXLE, WHEEL	1	
34	90185-18167	NUT, SELF-LOCKING	1	
35	90201-185R7	WASHER, PLATE	1	

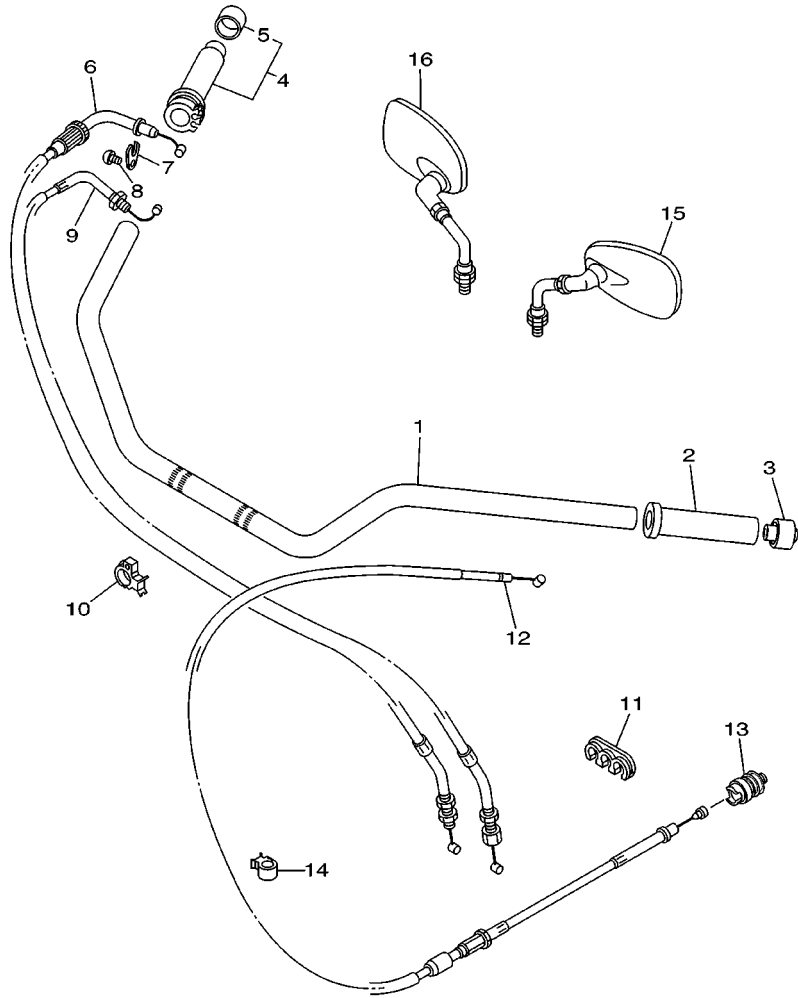
FIG. 29 REAR BRAKE CALIPER



4WM1100-9290

REF. NO.	PART NO.	DESCRIPTION	5JA9					REMARKS
1	4WM-2582W-00	DISC, REAR BRAKE 2	1					
2	90109-083G4	BOLT	6					
3	4WM-2580W-00	CALIPER ASSY, REAR 2	1					
4	1KT-W0057-00	.PISTON ASSY, CALIPER	1					
5	1KT-W0047-00	..CALIPER SEAL KIT	1					
6	4NK-W0057-00	.PISTON ASSY, CALIPER	1					
7	4NK-W0047-00	..CALIPER SEAL KIT	1					
8	4WM-W0046-00	.BRAKE PAD KIT 2	1					
9	1J3-W0048-00	.BLEED SCREW KIT	1					
10	1NL-25836-00	.COVER, DUST	1					
11	3HE-25924-00	.PIN, PAD	2					
12	3GM-25925-00	.CLIP	2					
13	1NL-25919-00	.SUPPORT, PAD	1					
14	90105-10638	BOLT, FLANGE	2					
15	4WM-25819-00	BRACKET, CALIPER	1					
16	95827-10050	BOLT, FLANGE	1					
17	90201-10140	WASHER, PLATE	1					

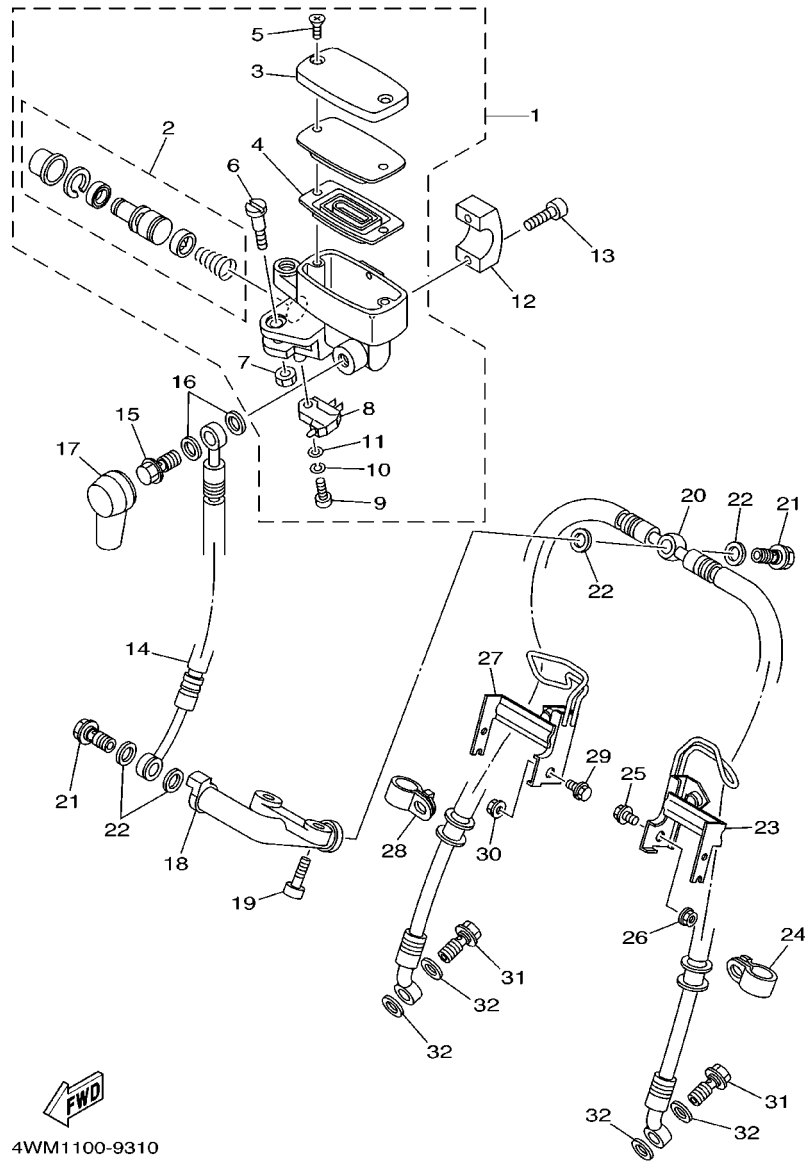
FIG. 30 STEERING HANDLE. CABLE



REF. NO.	PART NO.	DESCRIPTION	5JA9					REMARKS
1	4WM-26111-00	HANDLEBAR	1					
2	4NK-26241-00	GRIP	1					
3	4NK-2628J-00	CAP, GRIP	1					
4	4NK-26240-00	GRIP ASSY	1					
5	4NK-2635J-00	CAP 2	1					
6	4WM-26311-01	CABLE, THROTTLE 1	1					
7	5H0-26393-00	HOLDER	1					
8	98507-05008	SCREW, PAN HEAD	1					
9	4WM-26312-00	CABLE, THROTTLE 2	1					
10	90464-25217	CLAMP	1					
11	90468-07179	CLIP	1					
12	4WM-26335-00	CABLE, CLUTCH	1					
13	1E6-26342-00	BOOT, CABLE	1					
14	90464-10190	CLAMP	2					
15	4NK-26280-00	REAR VIEW MIRROR ASSY (LEFT)	1					
16	4NK-26290-00	REAR VIEW MIRROR ASSY (RIGHT)	1					


5JA9700-A300

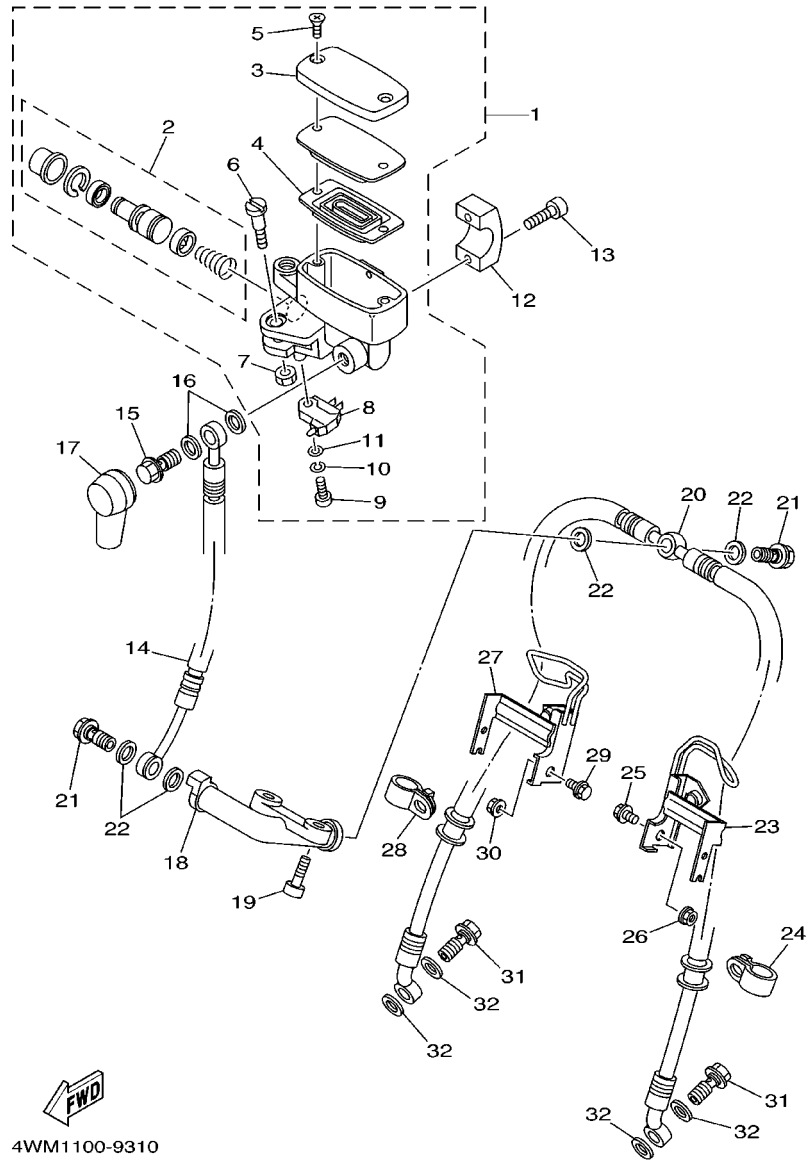
FIG. 31 FRONT MASTER CYLINDER



FWD
4WM1100-9310

REF. NO.	PART NO.	DESCRIPTION	5JA9				REMARKS
1	4NK-25870-00	MASTER CYLINDER SUB ASSY	1				
2	4K0-W0041-50	.CYLINDER KIT, MASTER	1				
3	4NK-W2585-00	.RESERVOIR CAP SET	1				
4	4NK-25854-00	.DIAPHRAGM, RESERVOIR	1				
5	4NK-2589H-00	.SCREW	2				
6	4NK-2589F-00	.BOLT, LEVER	1				
7	95604-06100	.NUT, U	1				
8	3FV-83980-00	.FRONT STOP SWITCH ASSY	1				
9	98507-04012	.SCREW, PAN HEAD	1				
10	92907-04100	.WASHER, SPRING	1				
11	92907-04600	.WASHER	1				
12	4NK-25867-00	BRACKET, MASTER CYLINDER	1				
13	91314-06025	BOLT	2				
14	4WM-25872-00	HOSE, BRAKE 1	1				
15	90401-10159	BOLT, UNION	1				
16	90201-10118	WASHER, PLATE	2				
17	4L0-25862-01	BOOT, MASTER CYLINDER	1				
18	4NK-25885-00	JOINT	1				
19	91317-06020	BOLT	2				
20	4WM-25873-00	HOSE, BRAKE 2	1				
21	90401-10159	BOLT, UNION	2				
22	90201-10118	WASHER, PLATE	4				
23	5JA-25875-00	HOLDER, BRAKE HOSE 1	1				
24	90461-10132	CLAMP	1				
25	90105-06007	BOLT, FLANGE	1				
26	95707-08500	NUT, FLANGÉ	1				
27	5JA-25886-00	HOLDER, BRAKE HOSE	1				

FIG. 31 FRONT MASTER CYLINDER



REF. NO.	PART NO.	DESCRIPTION	5JAG	REMARKS
28	90461-10132	CLAMP	1	
29	90105-06007	BOLT, FLANGE	1	
30	95707-08500	NUT, FLANGE	1	
31	90401-10159	BOLT, UNION	1	
32	90201-10118	WASHER, PLATE	2	

FWD
4WM1100-9310

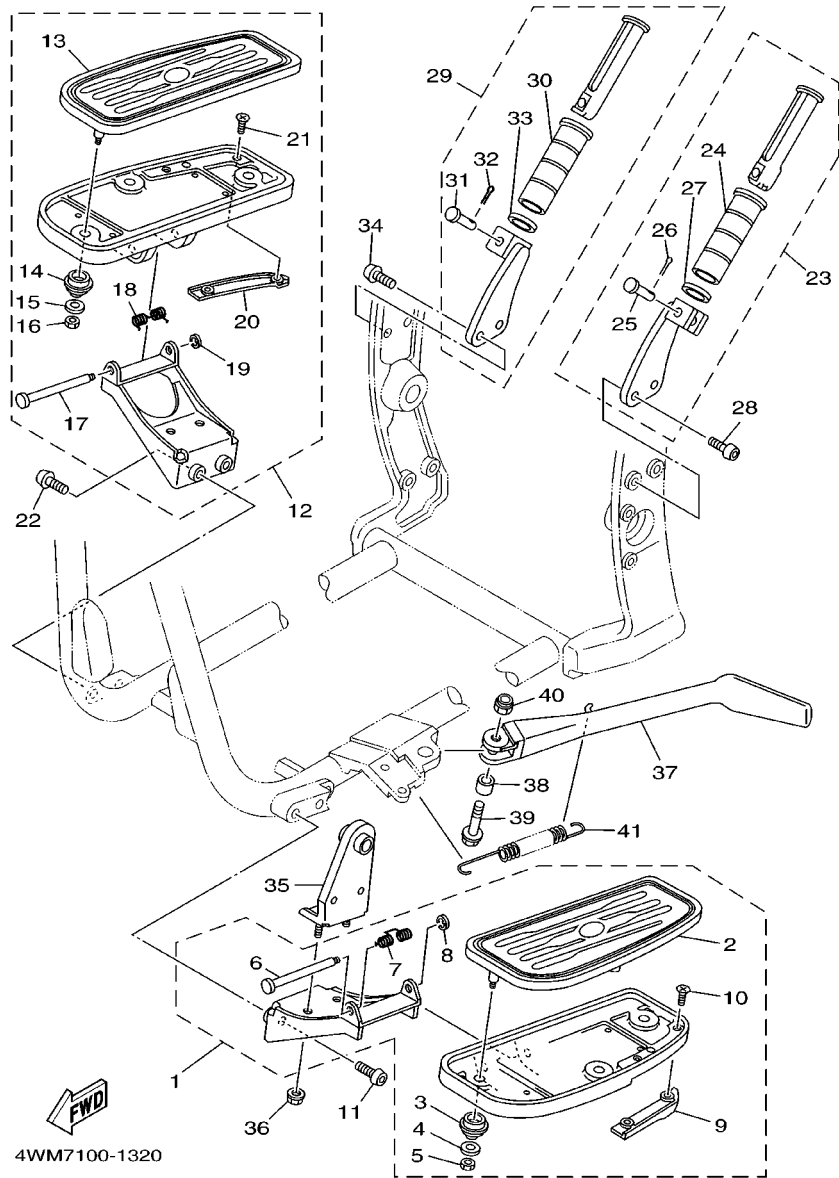


FIG. 32 STAND. FOOTREST

REF. NO.	PART NO.	DESCRIPTION	5JAG	REMARKS
1	4WM-27410-10	FRONT FOOTREST ASSY (LEFT)	1	
2	4WM-27413-00	.COVER, FOOTREST	1	
3	4WM-27414-00	.DAMPER, FOOTREST	1	
4	90201-05033	.WASHER, PLATE	1	
5	95607-05100	.NUT, U	1	
6	4NK-27427-00	.SHAFT	1	
7	4NK-27426-00	.SPRING, RETURN	1	
8	99001-06600	.CIRCLIP	1	
9	4WM-27496-00	.MOLE 1	1	
10	90152-05008	.SCREW, COUNTERSUNK	2	
11	92017-10030	BOLT, BUTTON HEAD	2	
12	4WM-27420-10	FRONT FOOTREST ASSY (RIGHT)	1	
13	4WM-27423-00	.COVER, FOOTREST	1	
14	4WM-27414-00	.DAMPER, FOOTREST	1	
15	90201-05033	.WASHER, PLATE	1	
16	95607-05100	.NUT, U	1	
17	4NK-27427-00	.SHAFT	1	
18	4NK-27426-00	.SPRING, RETURN	1	
19	99001-06600	.CIRCLIP	1	
20	4WM-27497-00	.MOLE 2	1	
21	90152-05008	.SCREW, COUNTERSUNK	2	
22	92017-10030	BOLT, BUTTON HEAD	2	
23	4WM-27430-10	REAR FOOTREST ASSY 1	1	
24	4WM-27433-00	.COVER, REAR FOOTREST	1	
25	90240-06146	.PIN, CLEVIS	1	
26	91401-20015	.PIN, COTTER	1	
27	90201-210U0	.WASHER, PLATE	1	

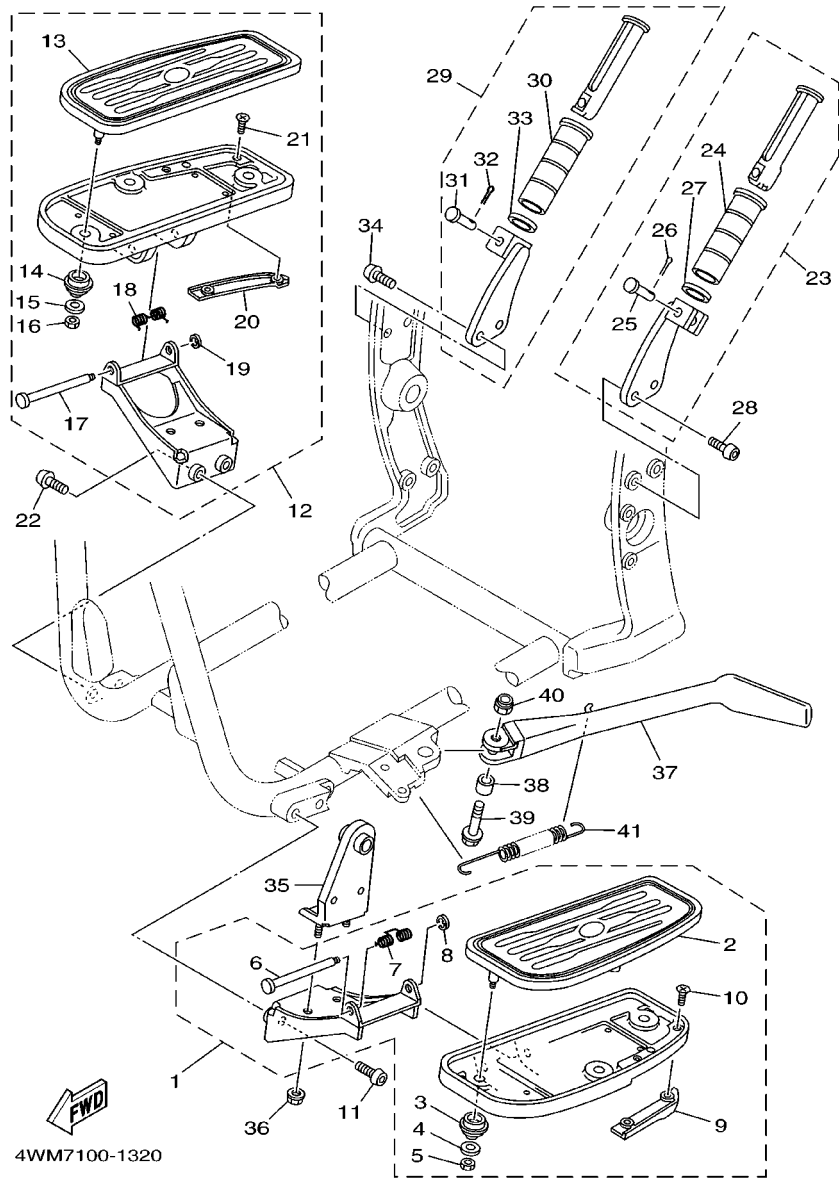
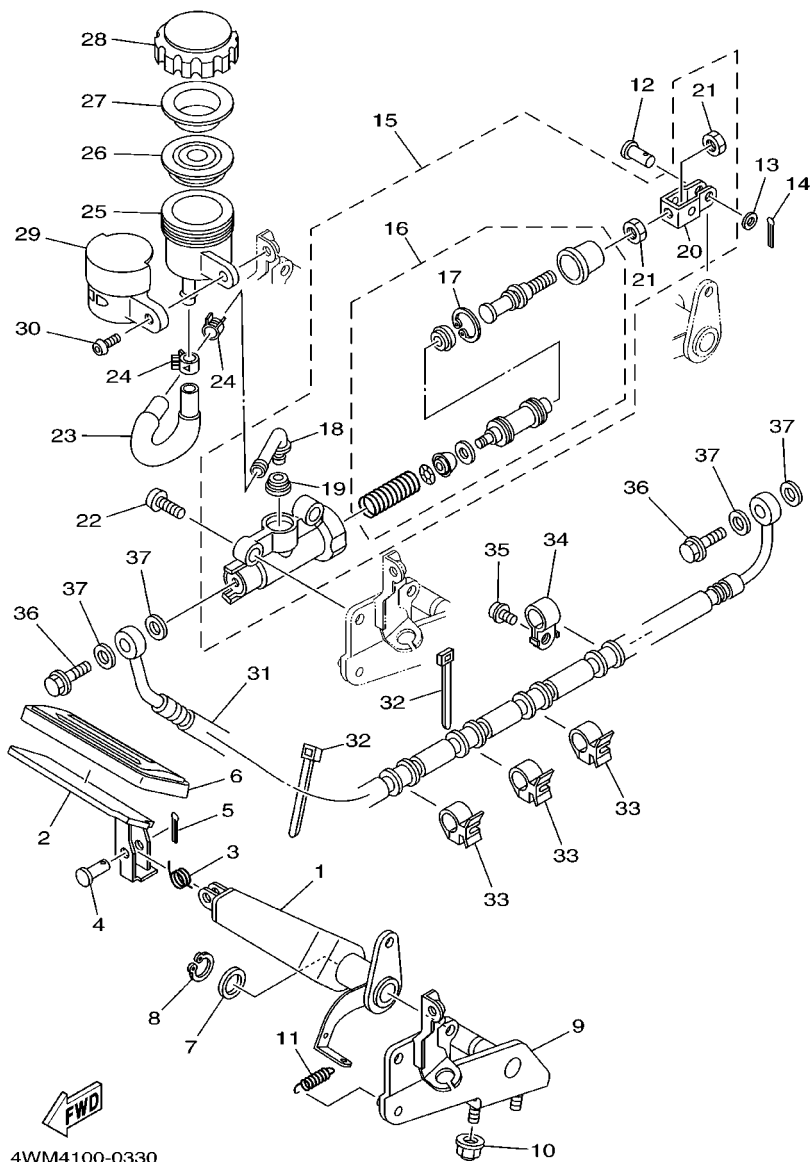


FIG. 32 STAND. FOOTREST

REF. NO.	PART NO.	DESCRIPTION	5JAG	REMARKS
28	90111-08002	BOLT	2	
29	4WM-27440-10	REAR FOOTREST ASSY 2	1	
30	4WM-27433-00	.COVER, REAR FOOTREST	1	
31	90240-06146	.PIN, CLEVIS	1	
32	91401-20015	.PIN, COTTER	1	
33	90201-210U0	.WASHER, PLATE	1	
34	90111-08002	BOLT	2	
35	4WM-27443-00	BRACKET 3	1	
36	95607-08200	NUT, SELF-LOCKING	2	
37	4WM-27311-00	STAND, SIDE	1	
38	90387-1007K	COLLAR	1	
39	90105-10778	BOLT, FLANGE	1	
40	90185-10037	NUT, SELF-LOCKING	1	
41	90506-29358	SPRING, TENSION	1	

FIG. 33 REAR MASTER CYLINDER



REF. NO.	PART NO.	DESCRIPTION	5JAG				REMARKS
1	4WM-27211-00	PEDAL, BRAKE	1				
2	4WM-27242-00	PEDAL, BRAKE	1				
3	90508-186B1	SPRING, TORSION	1				
4	91701-06022	PIN, CLEVIS	1				
5	91401-20012	PIN, COTTER	1				
6	4WM-27285-00	CAP	1				
7	90201-152L1	WASHER, PLATE	1				
8	99009-15400	CIRCLIP	1				
9	4WM-2741L-00	BRACKET 4	1				
10	95607-08200	NUT, SELF-LOCKING	2				
11	90506-20534	SPRING, TENSION	1				
12	90240-08013	PIN, CLEVIS	1				
13	90201-08083	WASHER, PLATE	1				
14	91401-16012	PIN, COTTER	1				
15	4BP-2583V-00	RR. MASTER CYLINDER ASSY.	1				
16	4BP-W0042-50	.CYLINDER KIT, MASTER	1				
17	3LN-2585G-00	..CIRCLIP	1				
18	4BP-2582A-00	.JOINT	1				
19	4BP-2585F-00	.BUSH	1				
20	4BP-27222-00	.JOINT	1				
21	95307-08700	.NUT	2				
22	92014-08025	BOLT, BUTTON HEAD	2				
23	4WM-25895-00	HOSE, RESERVOIR	1				
24	90467-14057	CLIP	2				
25	31A-25894-01	TANK, RESERVOIR	1				
26	360-25854-01	DIAPHRAGM, RESERVOIR	1				
27	2GU-25855-00	BUSH, DIAPHRAGM	1				

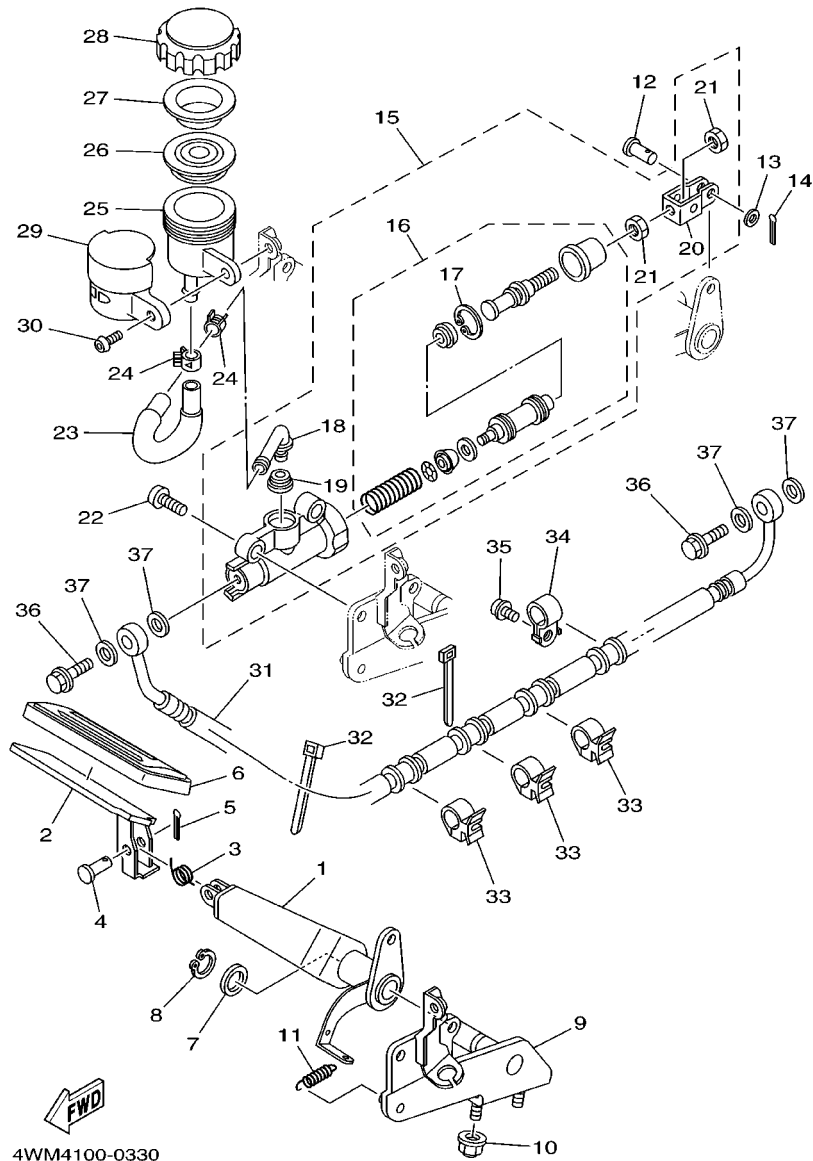
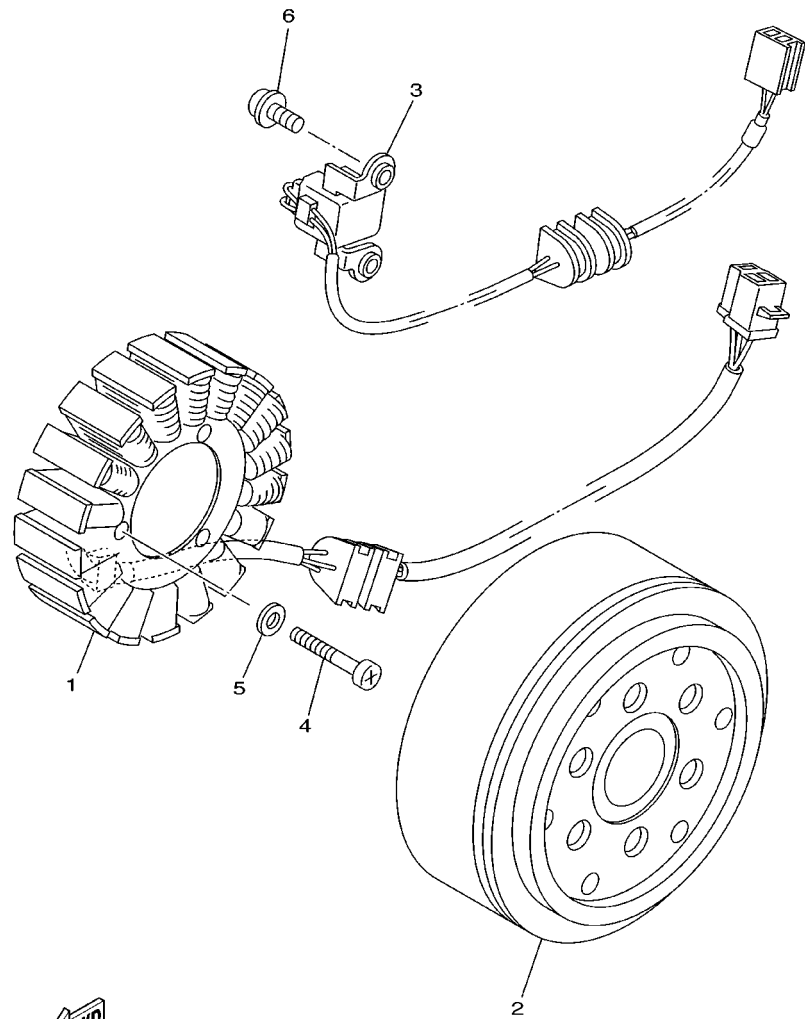


FIG. 33 REAR MASTER CYLINDER

REF. NO.	PART NO.	DESCRIPTION	5JA9				REMARKS
28	2KF-25852-50	CAP, RESERVOIR	1				
29	4NK-25888-00	COVER, RESERVOIR TANK	1				
30	90111-06007	BOLT	1				
31	4WM-2581J-00	HOSE, BRAKE 4	1				
32	1UA-82591-00	BAND	2				
33	90464-15192	CLAMP	3				
34	90461-10132	CLAMP	1				
35	95807-06012	BOLT, FLANGE	1				
36	90401-10159	BOLT, UNION	2				
37	90201-10118	WASHER, PLATE	4				

FIG. 34 GENERATOR



REF. NO.	PART NO.	DESCRIPTION	5JA9				REMARKS
1	4WM-81410-00	STATOR ASSY	1				
2	4WM-81450-00	ROTOR ASSY	1				
3	4WM-81670-01	PICK-UP ASSY	1				
4	98507-06035	SCREW, PAN HEAD	3				
5	92907-06600	WASHER, PLATE	3				
6	90159-06004	SCREW, WITH WASHER	2				

FWD
4WM1100-9340

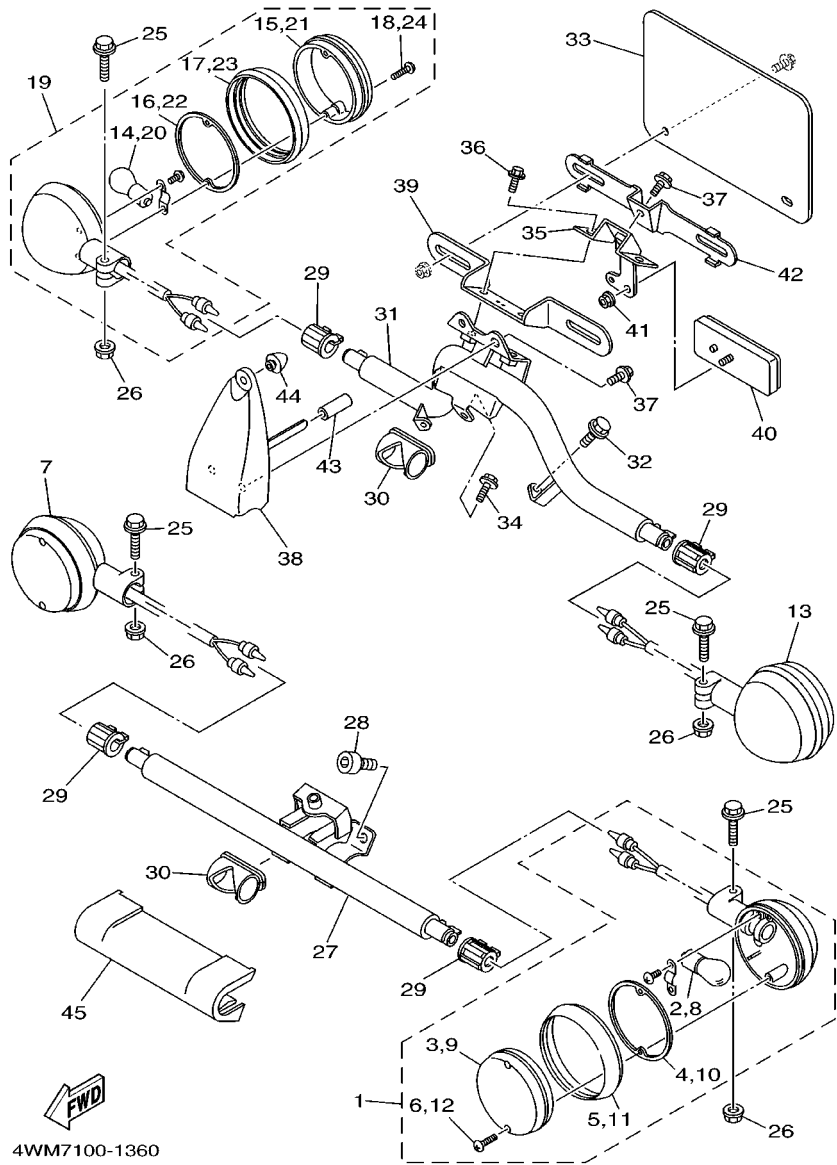
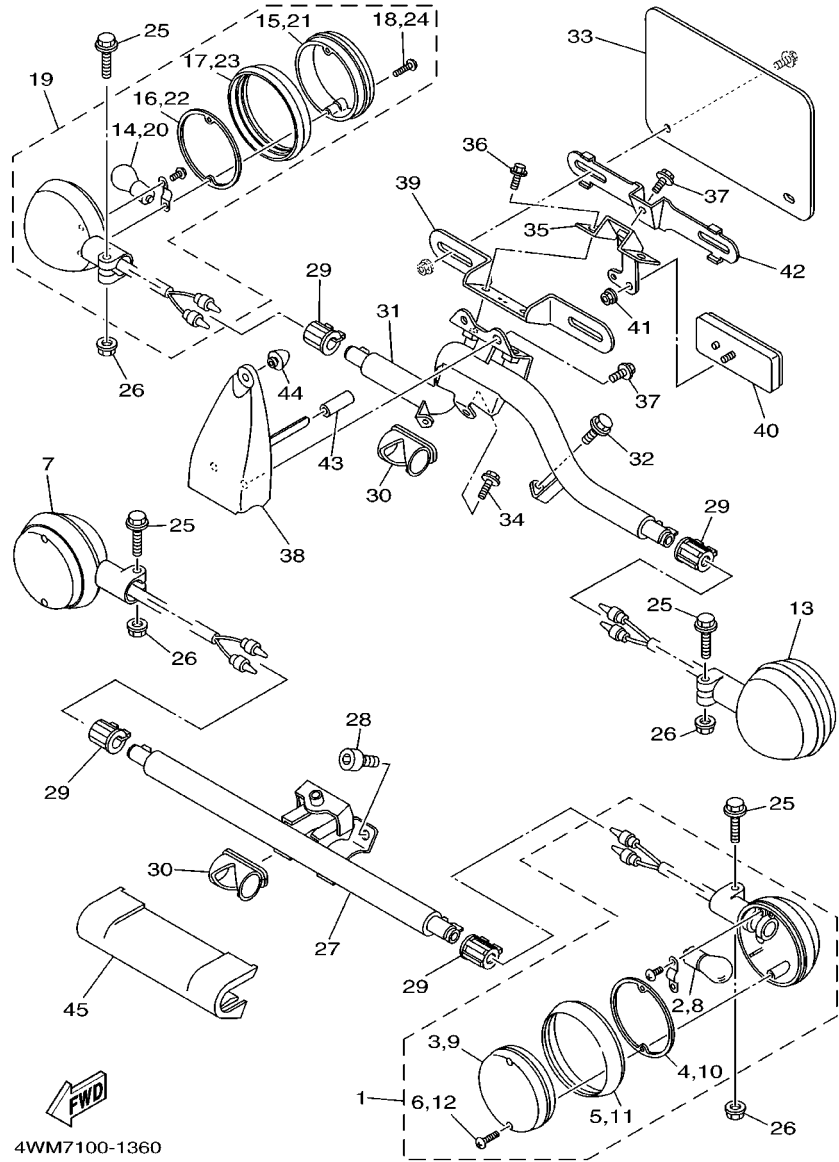


FIG. 35 FLASHER LIGHT

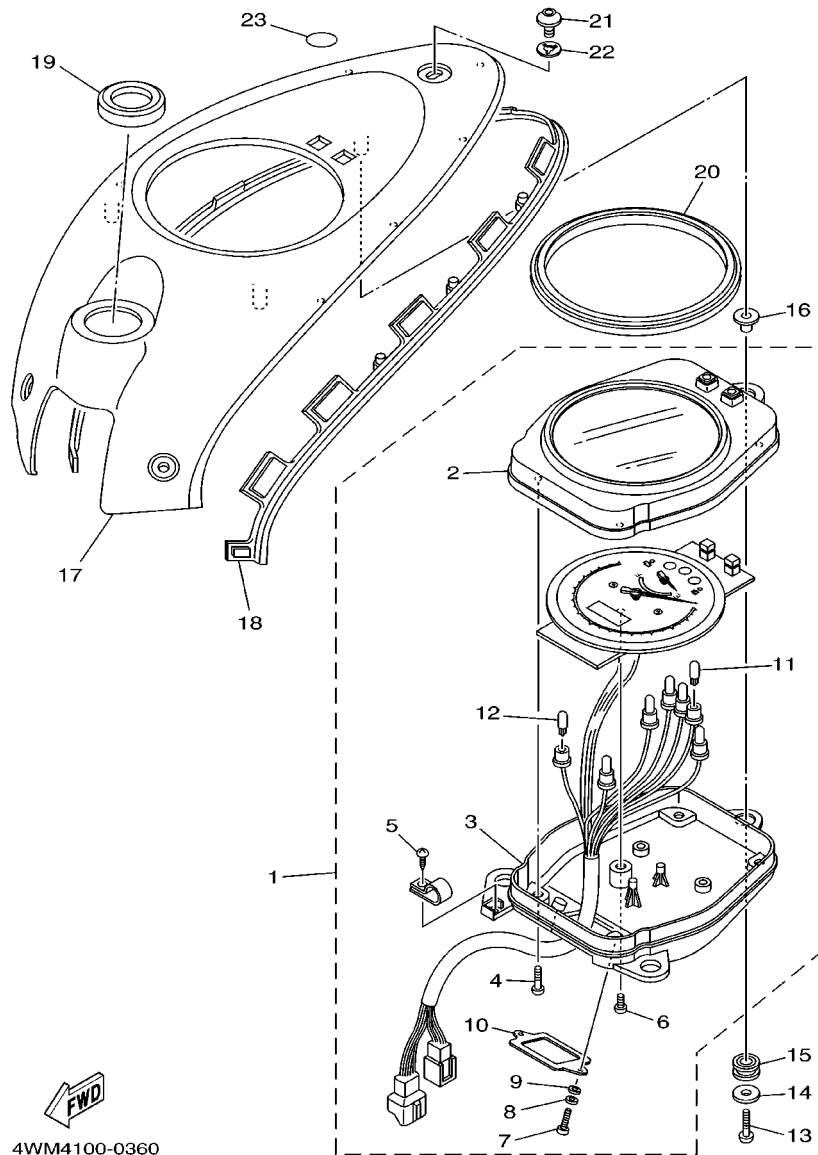
REF. NO.	PART NO.	DESCRIPTION	5JA9	REMARKS
1	2EN-83310-00	FRONT FLASHER LIGHT ASSY 1	1	
2	2AE-83311-00	.BULB, FLASHER (12V-21W)	1	
3	42X-83312-00	.LENS, FLASHER	1	
4	42X-83313-00	.GASKET, FLASHER LENS	1	
5	42X-83363-00	.LENS, RIM	1	
6	57M-83358-00	.SCREW, SPECIAL	2	
7	2EN-83320-00	FRONT FLASHER LIGHT ASSY 2	1	
8	2AE-83311-00	.BULB, FLASHER (12V-21W)	1	
9	42X-83312-00	.LENS, FLASHER	1	
10	42X-83313-00	.GASKET, FLASHER LENS	1	
11	42X-83363-00	.LENS, RIM	1	
12	57M-83358-00	.SCREW, SPECIAL	2	
13	2EN-83330-00	REAR FLASHER LIGHT ASSY 1	1	
14	2AE-83311-00	.BULB, FLASHER (12V-21W)	1	
15	2AE-83312-00	.LENS, FLASHER	1	
16	42X-83313-00	.GASKET, FLASHER LENS	1	
17	42X-83363-00	.LENS, RIM	1	
18	57M-83358-00	.SCREW, SPECIAL	2	
19	2EN-83340-00	FLASHER LIGHT ASSY 2	1	
20	2AE-83311-00	.BULB, FLASHER (12V-21W)	1	
21	2AE-83312-00	.LENS, FLASHER	1	
22	42X-83313-00	.GASKET, FLASHER LENS	1	
23	42X-83363-00	.LENS, RIM	1	
24	57M-83358-00	.SCREW, SPECIAL	2	
25	95024-06030	BOLT, FLANGE	4	
26	95704-06500	NUT, FLANGE	4	
27	4WM-2317V-00	STAY 8	1	

FIG. 35 FLASHER LIGHT



REF. NO.	PART NO.	DESCRIPTION	5JA9	REMARKS
28	91314-08016	BOLT	2	
29	4NK-83321-00	DAMPER, FLASHER 1	4	
30	4NK-83345-00	PLUG, BLIND	2	
31	5JA-2317W-20	STAY, 9	1	
32	95024-06012	BOLT, FLANGE	2	
33	4YU-8454F-00	APRON, NUMBER PLATE	1	
34	90119-06217	BOLT, WITH WASHER	1	
35	5JA-2113J-00	BRACKET, REFLECTOR 1	1	
36	95024-06012	BOLT, FLANGE	2	
37	95027-06010	BOLT, FLANGE	3	
38	5KS-84703-10	BRACKET	1	
39	5JA-84751-00	BRACKET, LICENSE	1	
40	3Y6-85130-02	REAR REFLECTOR ASSY	1	
41	95707-05500	NUT, FLANGE	1	
42	4WM-21685-10	BRACKET, LICENSE	1	
43	90446-07114	HOSE	1	
44	42U-21639-00	DAMPER 2	1	
45	4NK-23122-01	COVER, OUTER 1	1	

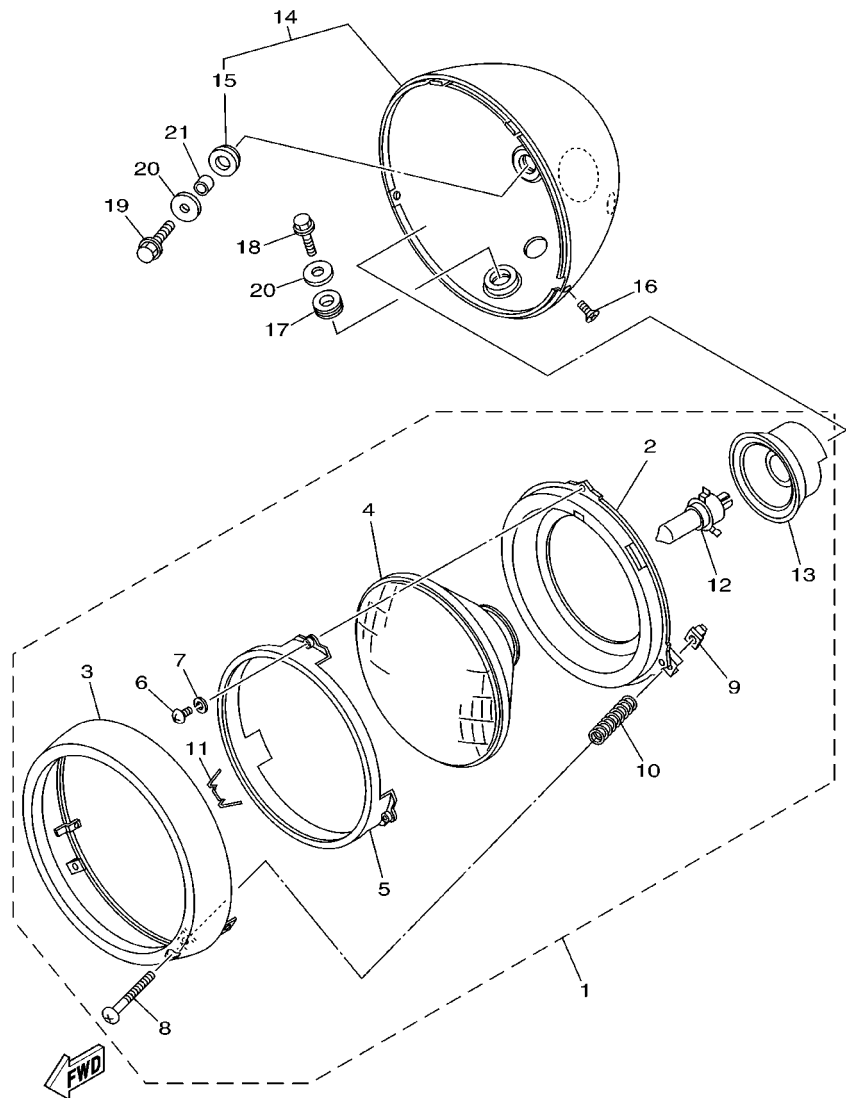
FIG. 36 METER



4WM4100-0360

REF. NO.	PART NO.	DESCRIPTION	5JA9				REMARKS
1	4WM-83500-30	SPEEDOMETER ASSY	1				
2	4WM-8353E-01	.CASE, METER UPPER	1				
3	4WM-8353F-01	.CASE, METER LOWER	1				
4	97707-40016	.SCREW, TAPPING	4				
5	90164-04023	.SCREW, TAPPING	1				
6	97707-40010	.SCREW, TAPPING	1				
7	98507-03008	.SCREW, PAN HEAD	2				
8	92907-03100	.WASHER	2				
9	92907-03600	.WASHER	2				
10	4WM-83519-00	.BRACKET, METER	1				
11	4WM-83517-10	.BULB (T3.4 12V-80MA)	3				
12	5JA-83517-00	.BULB	4				
13	98507-05020	SCREW, PAN HEAD	3				
14	90201-05036	WASHER, PLATE	3				
15	4WM-83513-00	DAMPER	3				
16	90387-050T5	COLLAR	3				
17	4WM-83559-00	COVER, METER	1				
18	4WM-28345-01	MOLE 1	1				
19	4WM-28346-00	MOLE 2	1				
20	4WM-28347-00	MOLE 3	1				
21	90149-06264	SCREW	3				
22	4U5-2176E-00	PLATE	3				
23	4TR-2413B-00	EMBLEM	1				

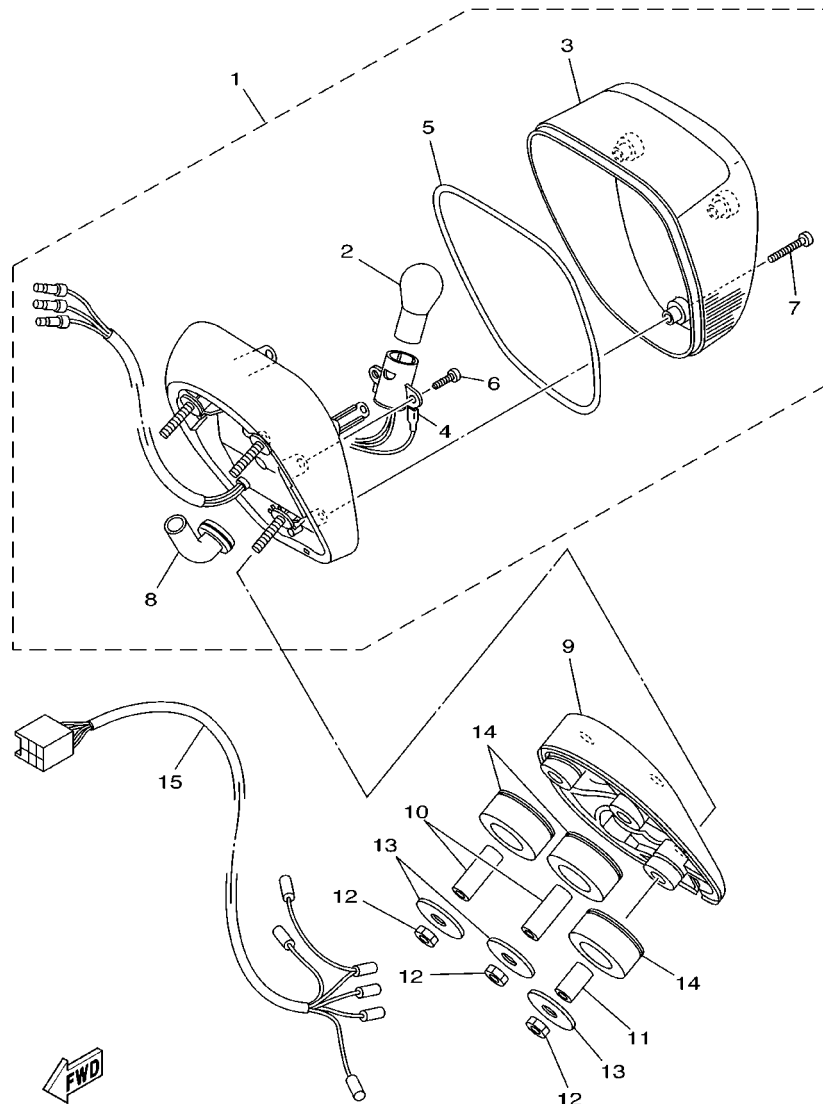
FIG. 37 HEADLIGHT



4WM4100-0370

REF. NO.	PART NO.	DESCRIPTION	5JA9	REMARKS
1	4WM-84310-00	HEADLIGHT UNIT ASSY	1	
2	4WM-84394-00	.RING, MOUNTING	1	
3	4WM-84315-00	.RIM, HEADLIGHT	1	
4	4NK-84320-00	.LENS ASSY	1	
5	2F9-84395-00	.RING, RETAINING	1	
6	98502-04008	.SCREW, PAN HEAD	3	
7	92902-04100	.WASHER, SPRING	3	
8	341-84331-60	.SCREW, RIM ADJUSTING	2	
9	198-84334-60	.NUT, ADJUSTING	2	
10	5G2-84332-60	.SPRING, SCREW	2	
11	290-84124-21	.SPRING, SET	1	
12	2F9-84314-00	.BULB (12V-60/55W)	1	(H4)HALOGEN
13	3SX-84397-00	.COVER, SOCKET	1	
14	4WM-84330-00	BODY ASSY	1	
15	42X-84366-00	.DAMPER, HEADLIGHT 1	2	
16	90152-05005	SCREW, COUNTERSUNK	2	
17	90480-16233	GROMMET	1	
18	95027-06016	BOLT, FLANGE	1	
19	95027-06025	BOLT, FLANGE	2	
20	90201-060A3	WASHER, PLATE	3	
21	90387-0610J	COLLAR	2	

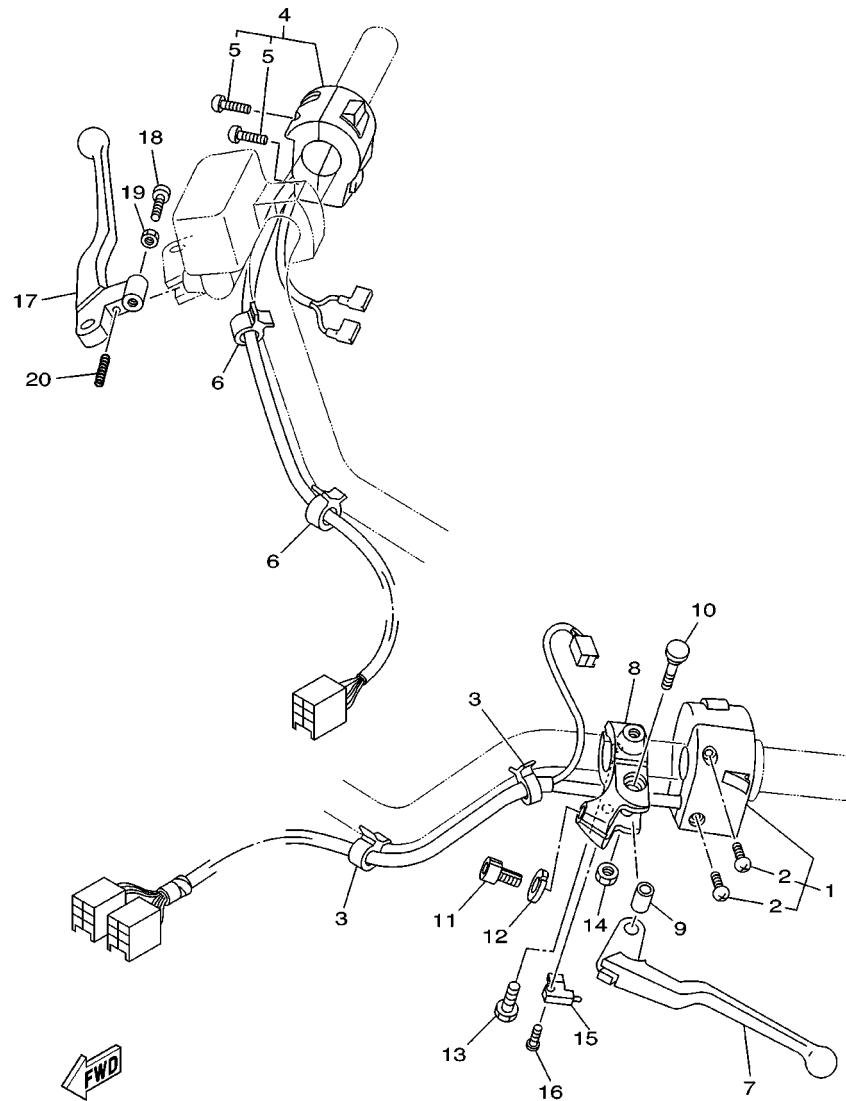
FIG. 38 TAILLIGHT



4WM1100-9380

REF. NO.	PART NO.	DESCRIPTION	5JA9					REMARKS
1	5JA-84700-00	TAILLIGHT ASSY	1					
2	31L-84714-00	.BULB, TAILLIGHT (12V-21/5W)	1					
3	4YP-84721-00	.LENS, TAILLIGHT	1					
4	4WM-84735-00	.CORD ASSY	1					
5	4NK-84702-00	.GASKET, TAILLENS	1					
6	97707-40516	.SCREW, TAPPING	2					
7	97780-40525	.SCREW, TAPPING	3					
8	5BN-84154-00	.GROMMET	1					
9	4WM-84527-00	DAMPER	1					
10	90387-06574	COLLAR	2					
11	90387-06028	COLLAR	1					
12	95307-06600	NUT	3					
13	90201-065G8	WASHER, PLATE	3					
14	5BN-84553-00	DAMPER	3					
15	4WM-84717-00	CORD, TAILLIGHT	1					

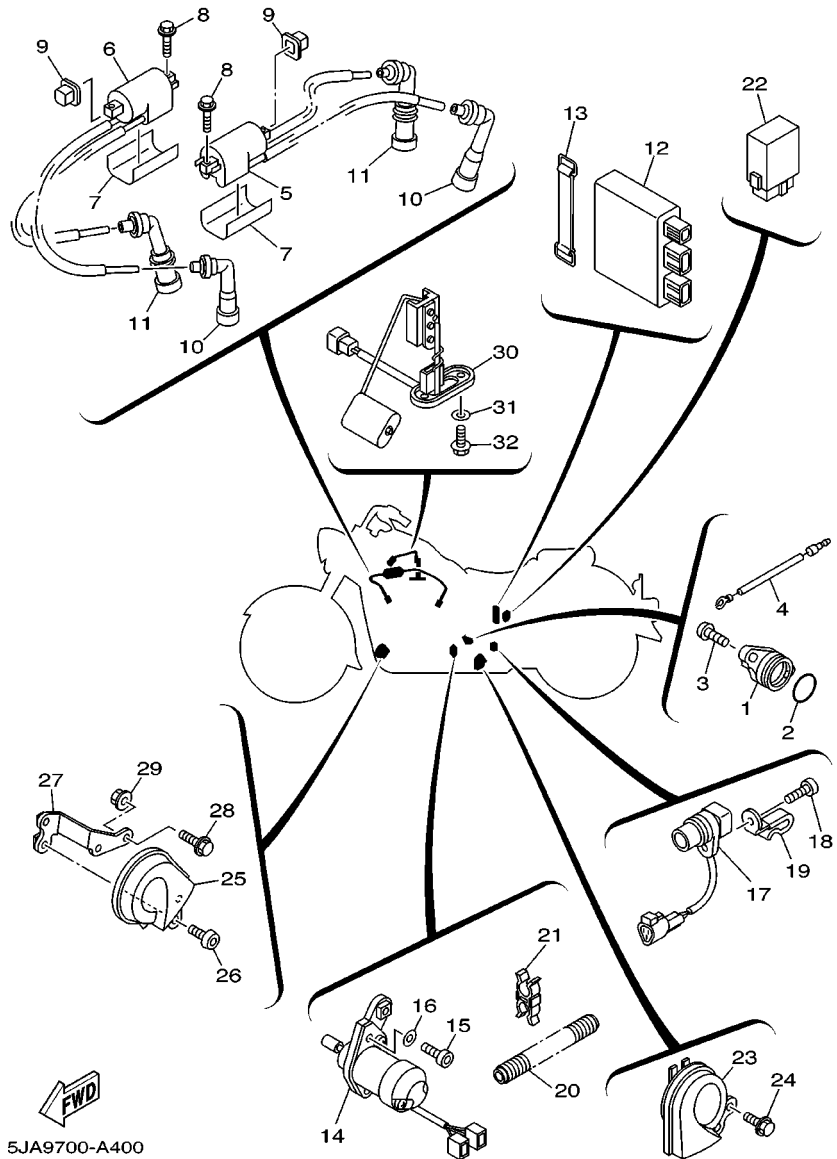
FIG. 39 HANDLE SWITCH. LEVER



REF. NO.	PART NO.	DESCRIPTION	5JA9				REMARKS
1	5BN-83972-00	SWITCH, HANDLE 4	1				
2	98504-05025	.SCREW, PAN HEAD	2				
3	90464-15192	CLAMP	2				
4	4WM-83975-01	SWITCH, HANDLE 2	1				
5	98580-05025	.SCREW, PAN HEAD	2				
6	90464-15192	CLAMP	2				
7	4WM-83912-00	LEVER 1	1				
8	5BN-82911-00	HOLDER, LEVER 1	1				
9	4TR-83913-00	COLLAR, LEVER 1	1				
10	4TR-83945-00	BOLT, LEVER	1				
11	90123-08046	BOLT	1				
12	90179-08148	NUT	1				
13	97004-06020	BOLT	1				
14	95604-06100	NUT, U	1				
15	3YX-82917-00	SWITCH	1				
16	98707-03020	SCREW, FLAT HEAD	1				
17	5EY-83922-00	LEVER 2	1				
18	90149-06131	SCREW	1				
19	90170-06010	NUT	1				
20	90501-10312	SPRING, COMPRESSION	1				

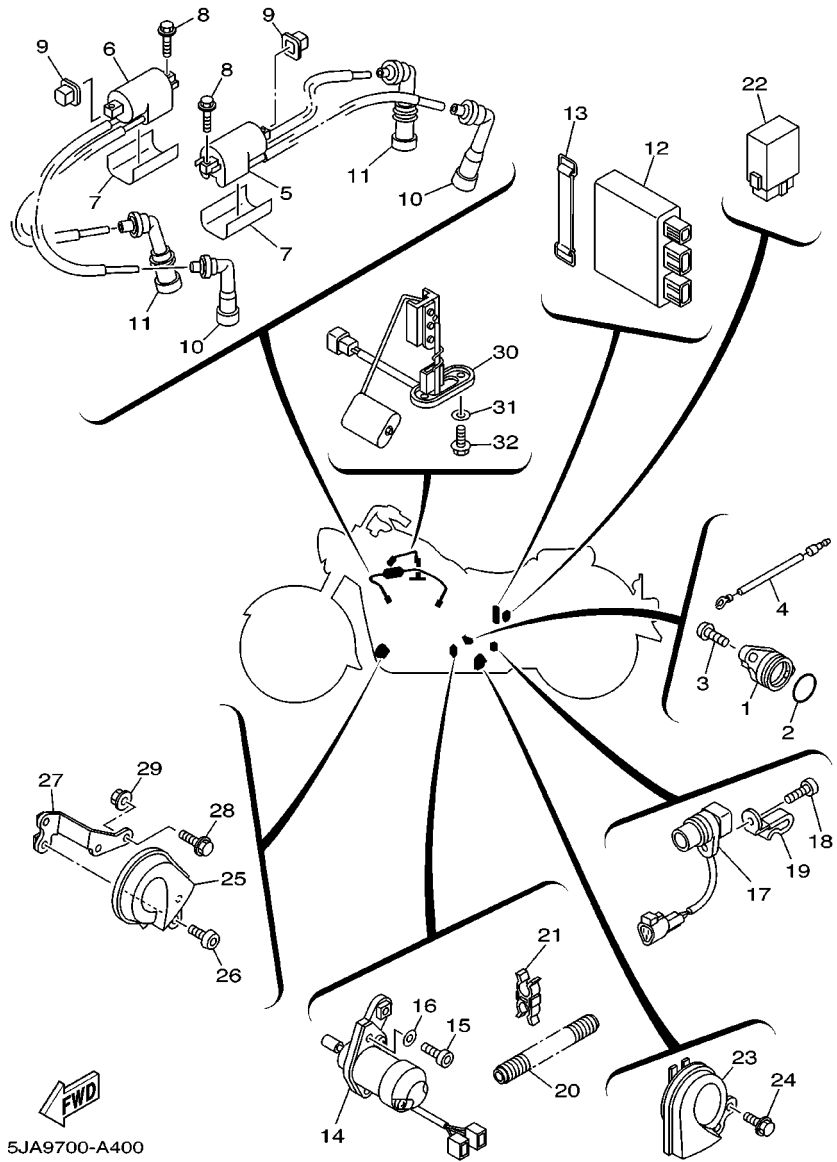

5JA9700-A390

FIG. 40 ELECTRICAL 1



5JA9700-A400

REF. NO.	PART NO.	DESCRIPTION	5JA9				REMARKS
1	1AE-82540-00	NEUTRAL SWITCH ASSY	1				
2	93210-29196	O-RING	1				
3	92014-06012	BOLT, BUTTON HEAD	2				
4	4WM-82509-00	WIRE, SUB LEAD	1				
5	4WM-82310-00	IGNITION COIL ASSY	1				
6	4WM-82310-10	IGNITION COIL ASSY	1				
7	4WM-21266-00	SHEET 1	2				
8	95807-06020	BOLT, FLANGE	2				
9	4U8-82317-00	DAMPER, IGNITION COIL	2				
10	4TR-82370-00	PLUG CAP ASSY	2				
11	4NK-82370-00	PLUG CAP ASSY	2				
12	5JA-82305-00	IGNITOR UNIT ASSY	1				
13	120-82131-00	BAND, BATTERY	1				
14	4WM-86110-00	SOLENOID	1				
15	90110-06114	BOLT, HEXAGON SOCKET HEAD	2				
16	90214-06002	WASHER, CLAW	2				
17	4WM-83755-00	SENSOR, SPEED	1				
18	91314-06014	BOLT	1				
19	90465-08127	CLAMP	1				
20	4WM-81842-00	COVER	1				
21	90464-18266	CLAMP	1				
22	3GM-83350-01	FLASHER RELAY ASSY	1				
23	4WM-83371-00	HORN	1				
24	95827-06012	BOLT, FLANGE	2				
25	4WM-83371-20	HORN	1				
26	92017-06012	BOLT, BUTTON HEAD	2				
27	4WM-83378-00	STAY, HORN	1				

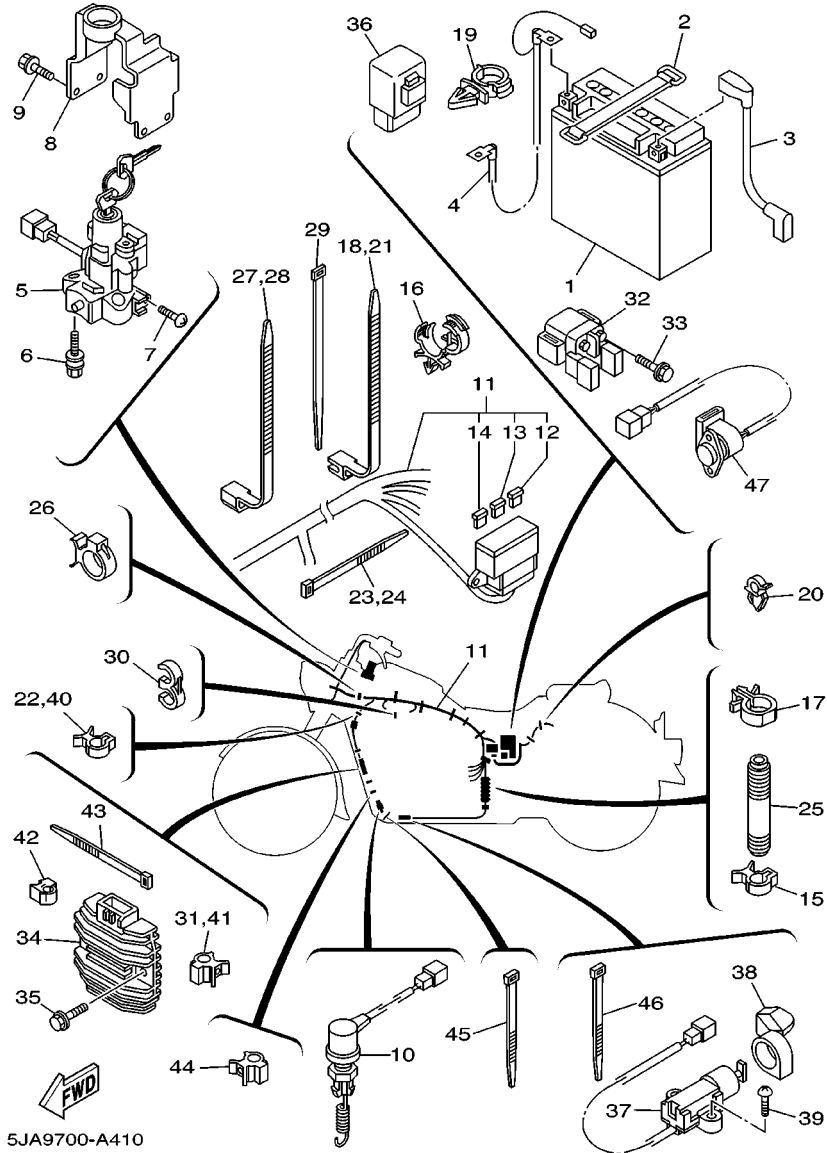


5JA9700-A400

FIG. 40 ELECTRICAL 1

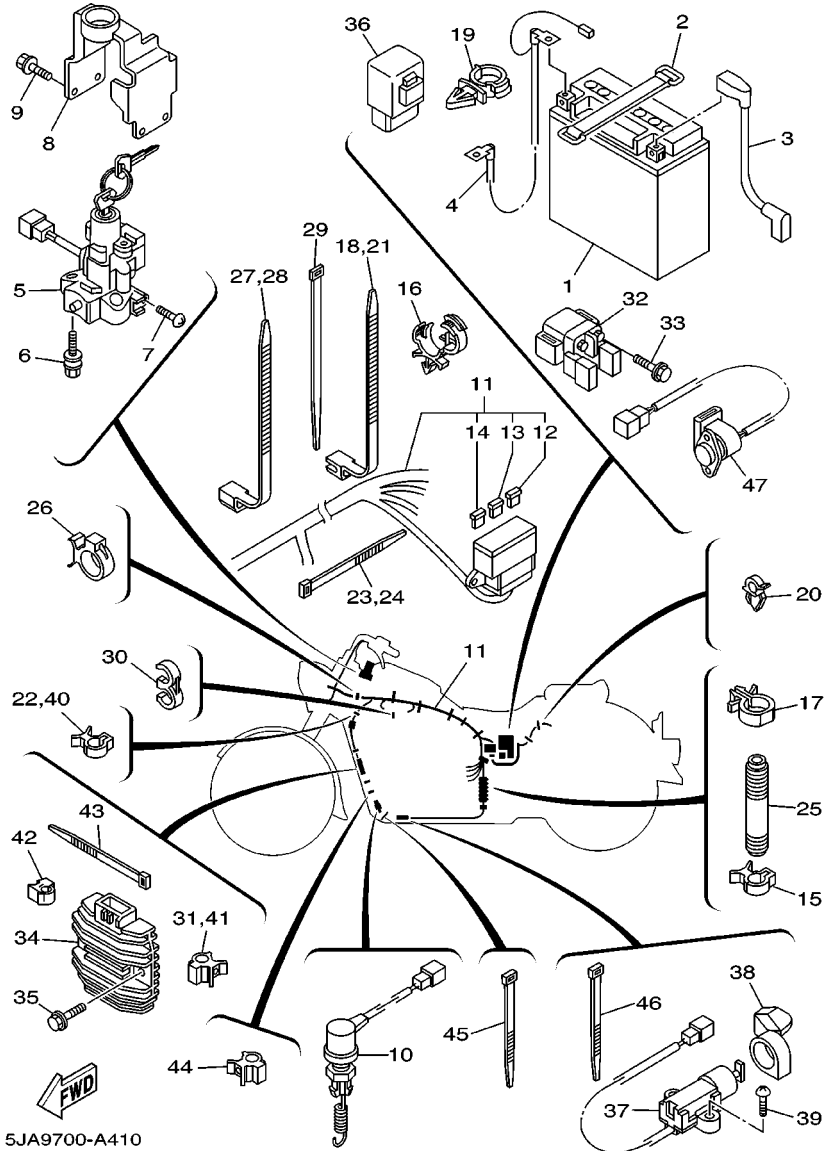
REF. NO.	PART NO.	DESCRIPTION	5JA9				REMARKS
28	90105-06009	BOLT, FLANGE	2				
29	95707-06500	NUT, FLANGE	2				
30	4WM-85752-00	SENDER UNIT ASSY, FUEL METER	1				
31	90202-05193	WASHER, PLATE	2				
32	95817-06016	BOLT, FLANGE	2				

FIG. 41 ELECTRICAL 2



5JA9700-A410

REF. NO.	PART NO.	DESCRIPTION	5JA9				REMARKS
1	4SH-82100-21	BATTERY ASSY (YTX20L-BS)	1				
2	4WM-82131-00	BAND, BATTERY	1				
3	4WM-82115-00	WIRE, PLUS LEAD	1				
4	4WM-82116-00	WIRE, MINUS LEAD	1				
5	4WM-82501-01	MAIN SWITCH STEERING LOCK	1				
6	90109-080G5	BOLT	2				
7	98507-05010	SCREW, PAN HEAD	1				
8	4WM-82568-00	COVER, MAIN SWITCH	1				
9	90105-06010	BOLT, FLANGE	4				
10	4WM-82530-00	STOP SWITCH ASSY	1				
11	5JA-82590-10	WIRE HARNESS ASSY	1				
12	1NL-82151-00	.FUSE (5A-BL)	2				
13	36Y-82151-00	.FUSE (15A-BL)	3				
14	42X-82151-00	.FUSE (10A-BL)	3				
15	90464-20191	CLAMP	1				
16	90464-07209	CLAMP	1				
17	90464-24230	CLAMP	1				
18	90464-13073	CLAMP	1				
19	90464-20181	CLAMP	1				
20	90464-08263	CLAMP	2				
21	90464-13073	CLAMP	1				
22	90464-15192	CLAMP	1				
23	1UA-82591-00	BAND	1				
24	1UA-82591-00	BAND	1				
25	4WM-82139-00	TUBE	1				
26	90464-20191	CLAMP	1				
27	90464-12045	CLAMP	1				



5JA9700-A410

FIG. 41 ELECTRICAL 2

REF. NO.	PART NO.	DESCRIPTION	5JA9				REMARKS
28	90464-12045	CLAMP	1				
29	90464-32060	CLAMP	1				
30	90464-60067	CLAMP	1				
31	90464-10190	CLAMP	1				
32	4BH-81940-00	STARTER RELAY ASSY	1				
33	95027-06008	BOLT, FLANGE	2				
34	5BN-81960-00	RECTIFIER & REGULATOR ASSY	1				
35	95807-06020	BOLT, FLANGE	2				
36	3EN-81950-00	RELAY ASSY	1				
37	3LD-82566-70	SWITCH, SIDE STAND	1				
38	4WM-8252U-00	COVER	1				
39	90157-05079	SCREW, PAN HEAD	2				
40	90464-15192	CLAMP	1				
41	90464-10190	CLAMP	1				
42	90464-05188	CLAMP	2				
43	1UA-82591-00	BAND	1				
44	90464-10190	CLAMP	1				
45	1UA-82591-00	BAND	1				
46	1UA-82591-00	BAND	1				
47	4TR-82560-00	THERMO SWITCH ASSY	1				

NUMERICAL INDEX

PARTNO.	GRID NO.	PARTNO.	GRID NO.	PARTNO.	GRID NO.	PARTNO.	GRID NO.	PARTNO.	GRID NO.	PARTNO.	GRID NO.
4K0-W0041-50	E - 7	4WM-11534-00	B - 6	4WM-13360-00	B - 8	4WM-14453-00	B - 10	4WM-15421-00	C - 4	4NK-17211-01	C - 10
4BP-W0042-50	E - 11	34L-11610-00	B - 4	4WM-13405-00	B - 9	4WM-14498-00	B - 10	4WM-15423-00	C - 4	4NK-17221-01	C - 10
4WM-W0045-00	E - 2	4WM-11631-00	B - 4	4WM-13411-00	B - 8	4WM-14504-00	B - 13	4WM-15425-00	C - 4	4NK-17231-01	C - 10
4WM-W0046-00	E - 5	4WM-11633-00	B - 4	4WM-13412-00	B - 8	5DM-14561-00	B - 12	4WM-15427-00	C - 5	4NK-17241-01	C - 10
1KT-W0047-00	E - 5	4WM-11650-00	B - 4	4WM-13416-00	B - 8	1FN-14565-00	B - 12	4WM-15431-00	C - 5	4NK-17251-00	C - 10
3JB-W0047-00	E - 2	4WM-11654-00	B - 4	4WM-13418-00	B - 8	1UY-14565-00	B - 13	4WM-15441-00	C - 6	4WM-17411-00	C - 10
4NK-W0047-00	E - 5	4WM-11656-00	B - 4	4WM-13421-00	C - 11	4WM-14565-00	B - 12	4WM-15449-00	C - 13	4WM-17421-00	C - 10
1J3-W0048-00	E - 5	4WM-11656-10	B - 4	3FV-13440-10	B - 8	4WM-14610-00	B - 14	4WM-15451-00	C - 4	4WM-17541-01	C - 11
51L-W0048-00	E - 2	4WM-11656-20	B - 4	4WM-13461-00	B - 8	3EG-14613-00	B - 14	4WM-15461-00	C - 5	4WM-17542-00	C - 11
1KT-W0057-00	E - 5	4WM-11656-30	B - 4	4WM-13464-00	B - 9	4WM-14620-00	B - 14	4WM-15462-00	C - 5	4WM-1755A-00	C - 11
3JB-W0057-00	E - 2	4WM-11656-40	B - 4	4WM-13542-00	B - 15	5JA-14703-01	B - 14	4WM-15484-00	C - 4	4WM-17613-00	C - 12
4NK-W0057-00	E - 5	4WM-11951-00	B - 6	4WM-1357N-01	B - 9	42H-14714-10	B - 15	4H7-15486-00	C - 13	4WM-1763A-00	C - 12
4WM-W1153-00	B - 6	4WM-12111-00	B - 5	4WM-13573-00	B - 8	3XW-14755-00	B - 14	1VJ-15511-00	C - 7	4WM-17631-00	C - 12
4WM-W1211-02	B - 6	4WM-12113-00	B - 5	4WM-13586-00	B - 10	4WM-14808-00	B - 15	4WM-15512-00	C - 7	4WM-17651-00	C - 13
4WM-W2341-00	D - 9	4WM-12114-00	B - 5	4WM-13907-00	D - 13	4WM-14840-00	B - 15	4WM-15515-00	C - 7	4WM-17653-00	C - 13
4NK-W2585-00	E - 7	26H-12116-00	B - 5	4WM-13993-00	B - 11	4WM-14857-00	B - 14	4WM-15517-00	C - 7	4WM-17665-01	C - 13
4WM-Y2150-G0-P2	D - 4	26H-12117-00	B - 5	4WM-1410A-00	B - 13	4WM-14858-00	B - 14	4WM-15521-00	C - 7	4WM-17675-00	C - 13
4WM-Y2150-J0-9X	D - 4	4GO-12118-00	B - 5	5JA-14101-02	B - 12	4WM-14868-00	B - 15	4WM-15522-00	C - 7	4WM-17682-00	C - 11
4WM-Y2161-G1-P2	D - 4	4KM-12119-00	B - 5	4WM-14103-00	B - 13	4WM-14871-00	B - 15	4WM-15590-00	C - 7	4WM-17929-00	C - 11
4WM-Y2161-J1-9X	D - 4	4WM-12121-00	B - 5	4WM-14105-00	B - 12	4WM-14872-00	B - 15	4WM-15653-00	C - 7	4WM-17931-00	C - 11
4WM-Y2410-31-X7	D - 12	4WM-12146-00	B - 5	4SV-14107-00	B - 12	4WM-14882-00	B - 14	4WM-15659-00	C - 7	4WM-17932-00	C - 12
4WM-Y2410-31-X9	D - 12	4WM-12151-00	B - 5	4SV-14112-00	B - 12	4WM-14883-00	B - 14	4WM-15779-00	C - 12	4WM-18101-01	C - 15
4WM-11101-00	B - 2	4WM-12152-00	B - 6	4WM-14130-00	B - 13	4WM-14884-00	B - 15	4WM-16111-00	C - 8	4WM-18110-01	C - 15
4WM-11101-10	B - 2	4WM-12153-00	B - 5	4WM-14141-02	B - 12	4WM-14885-00	B - 14	4WM-16139-00	C - 11	4NK-18113-00	C - 15
4WM-1111M-00	B - 3	4WM-12154-00	B - 5	4KM-14142-35	B - 13	4WM-14886-00	B - 15	4WM-16150-00	C - 8	4WM-18115-00	C - 15
4WM-1111N-00	B - 3	4WM-12155-01	B - 6	3FV-14147-00	B - 13	4WM-1490H-00	B - 13	26H-16154-00	C - 8	4WM-18130-00	C - 15
4WM-11126-00	B - 3	31G-12158-00	B - 5	239-14172-20	B - 12	5JA-1490J-00	B - 12	4WM-16181-00	C - 8	26H-18140-02	C - 15
4WM-11131-00	B - 2	31G-12159-02	B - 5	127-14186-00	B - 12	4WM-14918-00	B - 13	4WM-16193-00	C - 8	4NK-18141-00	C - 14
4WM-11133-10	B - 2	4WM-12161-00	B - 5	4KP-14191-00	B - 12	4KM-14933-00	B - 12	26H-16307-00	C - 8	4WM-18150-01	C - 15
4WM-11141-00	B - 2	4WM-12173-00	B - 6	4SV-14197-00	B - 12	3LD-14958-00	B - 13	26H-16321-00	C - 8	2H9-18154-00	C - 15
4WM-11161-00	B - 2	4WM-12215-00	B - 6	4KM-14216-00	B - 12	73A-14973-00	B - 12	26H-16324-00	C - 8	4WM-18154-00	C - 15
4WM-11162-00	B - 2	4WM-12271-00	B - 6	1HX-14231-20	B - 13	5DM-14985-00	B - 13	4NK-16334-00	C - 8	4NK-18185-00	C - 14
4WM-11166-00	B - 3	4WM-12272-00	B - 6	3G2-14231-00	B - 12	4WM-14987-00	B - 13	1FK-16335-00	C - 8	4WM-18511-00	C - 14
4WM-11171-00	B - 2	4WM-12275-00	C - 5	620-14231-33	B - 12	3XV-14994-00	B - 12	4WM-16340-00	C - 8	4WM-18512-00	C - 14
4WM-11172-00	B - 2	4WM-12278-01	C - 5	4WM-14264-00	B - 12	4WM-15100-00	C - 2	132-16346-00	C - 15	4WM-18513-00	C - 14
4WM-11175-00	B - 2	4WM-12282-00	B - 6	4WM-14291-00	B - 12	4WM-15123-00	C - 2	1FK-16351-00	C - 8	4NK-18531-00	C - 14
4WM-11176-00	B - 2	4WM-12286-00	C - 5	4WM-14294-00	B - 11	4WM-15142-00	C - 4	1FK-16352-00	C - 8	4WM-18540-00	C - 14
4WM-11181-00	B - 2	4WM-12293-00	B - 6	4WM-14295-00	B - 11	4WM-15143-00	C - 4	4XV-16356-01	C - 9	4UN-18542-00	C - 14
4WM-11182-00	B - 2	4WM-12294-00	B - 6	4WM-14327-00	B - 12	4H7-15189-00	C - 2	4WM-16370-00	C - 8	4UN-18566-00	C - 14
4WM-11191-00	B - 3	4WM-12298-00	B - 6	4WM-14411-00	B - 10	4WM-15316-00	C - 4	4WM-16382-00	C - 8	4WM-21110-10	D - 2
4WM-11192-00	B - 3	4WM-13100-00	C - 11	4WM-14413-00	B - 10	4WM-15326-00	C - 4	1FK-16383-00	C - 8	5JA-2113J-00	E - 15
4WM-11193-00	B - 3	4WM-13116-00	C - 11	4WM-14417-00	B - 10	4WM-15335-00	C - 5	26H-16384-00	C - 8	4WM-2117X-00-KU	D - 5
4WM-11194-00	B - 3	4WM-13132-00	C - 12	4WM-14419-00	B - 10	4WM-15362-00	C - 12	26H-16385-00	C - 8	4WM-2117X-00-P4	D - 5
214-11198-01	C - 11	4WM-13161-00	B - 8	4WM-14421-00	B - 10	4GL-15371-00	B - 3	4WM-16539-00	C - 8	4WM-2117Y-00-KU	D - 5
	C - 6	4WM-13171-00	B - 8	4WM-1443E-00	B - 10	4WM-15377-00	C - 4	4WM-17076-00	C - 13	4WM-2117Y-00-P4	D - 5
4WM-11311-00	B - 3	4WM-13181-00	B - 9	5JA-14437-00	B - 10	4WM-15411-00	C - 4	4NK-17121-01	C - 10	4WM-21190-00	D - 2
4WM-11351-00	B - 3	4WM-13286-00	C - 11	4WM-14451-00	B - 10	4WM-15413-00	C - 6	4NK-17141-01	C - 10	4WM-21266-00	F - 6
4WM-11400-00	B - 4	4WM-13300-00	B - 8	4WM-14452-00	B - 10	4WM-15417-00	C - 2	4NK-17151-00	C - 10	4WM-21267-00	D - 5

NUMERICAL INDEX

PARTNO.	GRID NO.	PARTNO.	GRID NO.	PARTNO.	GRID NO.	PARTNO.	GRID NO.	PARTNO.	GRID NO.	PARTNO.	GRID NO.
4WM-21314-00	D - 2	4WM-23110-00	D - 10	3DM-23445-00	D - 9	4WM-25364-00	E - 3	3YX-25929-00	E - 2	4WM-81815-00	C - 7
4WM-21315-00	D - 2	4WM-23111-00	D - 10	4WM-23497-00	D - 9	4WM-25366-00	E - 3	4TT-25937-00	E - 2	4XV-8182A-00	C - 7
4WM-21316-00	D - 2	4NK-23121-00	D - 11	4TR-2413B-00	F - 2	4WM-25376-00	E - 3	4WM-26111-00	E - 6	4WM-81842-00	F - 6
4WM-21317-00	D - 2	4NK-23122-01	E - 15	4WM-2416B-00	D - 13	4WM-25377-00	E - 3	4NK-26240-00	E - 6	11H-81844-00	C - 7
4WM-21318-00	D - 2	4KM-23123-01	D - 11	4WM-2417B-00	D - 13	3GM-25381-A0	D - 7	4NK-26241-00	E - 6	1FK-81847-00	C - 7
4WM-2137F-00	D - 2	4WM-23123-00	D - 11	4WM-24180-00	D - 13	4WM-25381-00	E - 4	4NK-2628J-00	E - 6	4GO-81871-00	C - 7
22F-2139X-00	D - 8	4NK-23125-00	D - 10	2GH-24181-00	D - 12	4WM-25388-00	E - 4	4NK-26280-00	E - 6	4WM-81890-00	C - 7
4WM-21399-00	D - 2		D - 11	2YK-24181-10	D - 12	4WM-25389-00	E - 4	4NK-26290-00	E - 6	4BH-81940-00	F - 9
4WM-21445-01	D - 2	4NK-23126-00	D - 10	2GH-24183-00	D - 12	5V4-25398-00	D - 15	4WM-26311-01	E - 6	3EN-81950-00	F - 9
4WM-21541-00	D - 4	3MA-23129-10	D - 10	2GH-24186-00	D - 12		E - 3	4WM-26312-00	E - 6	5BN-81960-00	F - 9
4WM-21542-00	D - 4		D - 11	4GY-24188-00	D - 13	4WM-25470-00	E - 3	4WM-26335-00	E - 6	4SH-82100-21	F - 8
4WM-21570-C0	D - 4	4NK-23135-00	D - 10	4WM-24191-00	D - 12	4WM-2580T-00	E - 2	1E6-26342-00	E - 6	3BT-82103-00	B - 13
4WM-21570-D0	D - 4		D - 11	4WM-24192-00	D - 12	4WM-2580U-00	E - 2	4NK-2635J-00	E - 6	4WM-82115-00	F - 8
4WM-21629-00-P2	D - 4	4NK-23136-00	D - 10	4WM-24217-00	D - 13	4WM-2580W-00	E - 5	5H0-26393-00	E - 6	4WM-82116-00	F - 8
4WM-21629-00-P4	D - 4	4WM-23141-00	D - 10	4WM-24240-80	D - 12	4WM-2581J-00	E - 12	3VR-27114-00	D - 2	51Y-82122-00	D - 5
4WM-21638-00	D - 4	4NK-23144-00	D - 10	5GA-24240-30	D - 12	4WM-25819-00	E - 5	4WM-27211-00	E - 11	120-82131-00	F - 6
42U-21639-00	E - 15	4NK-23145-00	D - 10	4WM-24291-00	D - 12	4BP-2582A-00	E - 11	4BP-27222-00	E - 11	4WM-82131-00	F - 8
4WM-2164F-00	D - 4		D - 11	4WM-24311-00	D - 13	3JB-2582U-01	E - 2	4WM-27242-00	E - 11	4WM-82139-00	F - 8
4WM-2164G-00	D - 4	4NK-23146-00	D - 10	4WM-24312-00	D - 13	4WM-2582W-00	E - 5	4WM-27285-00	E - 11	1NL-82151-00	F - 8
4WM-21649-00	D - 4		D - 11	4WM-24321-00	D - 13	5BN-25827-00	E - 2	4WM-27311-00	E - 10	36Y-82151-00	F - 8
4WM-2165A-C0	D - 4	4NK-23147-00	D - 10	4WM-24339-00	D - 12	4BP-2583V-00	E - 11	4WM-2741L-00	E - 11	42X-82151-00	F - 8
4WM-2165A-D0	D - 4	4NK-23151-00	D - 10	4WM-24393-00	D - 13	1NL-25836-00	E - 5	4WM-27410-10	E - 9	5JA-82305-00	F - 6
4WM-21685-10	E - 15		D - 11	4WM-24394-00	D - 13	4BP-2585F-00	E - 11	4WM-27413-00	E - 9	4WM-82310-00	F - 6
4WM-21711-00-KU	D - 5	34L-23153-00	D - 10	4WM-24398-00	D - 13	3LN-2585G-00	E - 11	4WM-27414-00	E - 9	4WM-82310-10	F - 6
4WM-21711-00-P4	D - 5	4NK-23157-00	D - 10	4SV-24411-00	B - 12	2KF-25852-50	E - 12	4WM-27420-10	E - 9	4U8-82317-00	F - 6
4WM-2172E-00	D - 5		D - 11	4WM-24491-01	D - 13	360-25854-01	E - 11	4WM-27423-00	E - 9	4NK-82370-00	F - 6
4WM-2172K-00	D - 5	4NK-23163-00	D - 11	4WM-24500-00	D - 12	4NK-25854-00	E - 7	4NK-27426-00	E - 9	4TR-82370-00	F - 6
4WM-21721-00-KU	D - 5	4NK-23165-00	D - 11	4X8-24512-00	D - 12	2GU-25855-00	E - 11	4NK-27427-00	E - 9	4WM-82501-01	F - 8
4WM-21721-00-P4	D - 5	4WM-23166-00	D - 10	3AJ-24523-00	D - 12	4L0-25862-01	E - 7	4WM-27430-10	E - 9	4WM-82509-00	F - 6
4NK-21735-00	D - 4		D - 11	3AJ-24534-00	D - 12	4NK-25867-00	E - 7	4WM-27433-00	E - 10	4WM-8252U-00	F - 9
4WM-2174X-00	D - 4	4WM-2317V-00	E - 14	1FK-24560-10	D - 13	4NK-25870-00	E - 7		E - 9	4WM-82530-00	F - 8
4WM-2174Y-00	D - 4	5JA-2317W-20	E - 15	4NK-24602-10	D - 13	4WM-25872-00	E - 7	4WM-27440-10	E - 10	1AE-82540-00	F - 6
26H-21746-00	D - 5	4WM-23171-00	D - 10	4NK-2471A-00	D - 14	4WM-25873-00	E - 7	4WM-27443-00	E - 10	4TR-82560-00	F - 9
4U5-2176E-00	F - 2		D - 11	4WM-24710-00	D - 14	5JA-25875-00	E - 7	4WM-27496-00	E - 9	3LD-82566-70	F - 9
4WM-2177G-00	D - 5	4WM-23174-00	D - 9	4WM-24728-00	D - 14	4WM-25876-00	D - 11	4WM-27497-00	E - 9	4WM-82568-00	F - 8
3LS-21781-00	D - 6	1KT-23181-00	D - 11	4WM-24734-00	D - 14	4NK-25885-00	E - 7	4WM-28100-00	D - 2	5JA-82590-10	F - 8
4WM-22110-00	D - 7	38W-23181-00	D - 11	22W-24741-00	D - 14	5JA-25886-00	E - 7	55K-2811G-00	D - 3	1UA-82591-00	E - 12
3XV-22127-00	D - 7	4NK-23181-00	D - 10	4WM-2475H-00	D - 14	4WM-25887-00	D - 11	4WM-28345-01	F - 2		F - 8
3FV-22128-00	D - 7		D - 11	4WM-24750-00	D - 14	4NK-25888-00	E - 12	4WM-28346-00	F - 2		F - 9
4WM-2217A-00	D - 7	4NK-23181-10	D - 11	4WM-2478E-00	D - 14	4NK-2589F-00	E - 7	4WM-28347-00	F - 2	5BN-82911-00	F - 5
4WM-2217M-00	D - 7	4NK-23193-00	D - 10	4JP-24780-03	D - 14	4NK-2589H-00	E - 7	4WM-46241-00	E - 4	3YX-82917-00	F - 5
4WM-22184-00	D - 7		D - 11	4WM-25104-01	D - 15	31A-25894-01	E - 11	4WM-81410-00	E - 13	2EN-83310-00	E - 14
4KM-2219X-00	D - 7	4WM-23340-00	D - 11	4WM-25111-00	D - 15	4WM-25895-00	E - 11	4WM-81450-00	E - 13	2AE-83311-00	E - 14
5JA-22210-00	D - 8	4WM-23389-00	D - 9	4NK-2514A-00	E - 2	4TT-25914-00	E - 2	5JA-81517-00	B - 13	2AE-83312-00	E - 14
4WM-22311-00	D - 7	1W1-23416-00	D - 9	4WM-2515A-00	E - 2	1NL-25919-00	E - 5	4WM-81670-01	E - 13	42X-83312-00	E - 14
4WM-22312-00	D - 8	26H-23418-01	D - 9	4NK-25181-00	D - 15	4BP-25919-00	E - 2	4WM-81673-00	C - 9	42X-83313-00	E - 14
4WM-23102-00	D - 10	4VR-23441-00	D - 9	4WM-25304-01	E - 3	3HE-25924-00	E - 5	3AJ-81801-00	C - 7	2EN-83320-00	E - 14
4WM-23103-00	D - 10	4VR-23442-00	D - 9	4WM-25311-00	E - 3	3GM-25925-00	E - 5	3HE-81809-00	C - 7	4NK-83321-00	E - 15

NUMERICAL INDEX

PARTNO.	GRID NO.	PARTNO.	GRID NO.	PARTNO.	GRID NO.	PARTNO.	GRID NO.	PARTNO.	GRID NO.	PARTNO.	GRID NO.
2EN-83330-00	E - 14	4YP-84721-00	F - 4	90110-06240	B - 10	90183-06053	D - 8	90215-30233	C - 12	90430-08119	C - 11
2EN-83340-00	E - 14	4WM-84735-00	F - 4	90110-08002	C - 13	90185-10037	E - 10		C - 13		C - 12
4NK-83345-00	E - 15	5JA-84751-00	E - 15	90110-08004	C - 2	90185-18104	D - 7	90240-06146	E - 10	90430-10188	B - 9
3GM-83350-01	F - 6	3Y6-85130-02	E - 15	90110-08212	C - 7	90185-18167	E - 4		E - 9	90445-112K5	D - 13
57M-83358-00	E - 14	4WM-85752-00	F - 7	90110-10191	D - 2	90201-05033	E - 9	90240-08013	E - 11	90445-146K8	B - 10
42X-83363-00	E - 14	4WM-85885-00	B - 12	90111-06007	E - 12	90201-05036	F - 2	90282-03012	B - 6	90446-07114	E - 15
4WM-83371-00	F - 6	4WM-86110-00	F - 6	90111-08002	E - 10	90201-060A3	F - 3	90282-03039	B - 6	90450-58001	B - 10
4WM-83371-20	F - 6	90101-10001	E - 4	90111-10003	D - 2	90201-06380	D - 14	90336-28053	D - 7	90450-67001	B - 10
4WM-83378-00	F - 6	90101-10659	D - 8	90116-08065	C - 5	90201-065G8	F - 4	90338-06018	B - 8	90461-10132	E - 12
4WM-83500-30	F - 2	90101-12002	D - 7	90116-10344	C - 5	90201-06557	D - 12	90338-08163	D - 9		E - 7
4WM-83513-00	F - 2	90101-12673	D - 7	90116-12240	C - 5	90201-08014	E - 2	90338-09012	D - 2		E - 8
4WM-83517-10	F - 2	90101-12695	D - 8	90119-06001	D - 8	90201-08083	E - 11	90340-14117	C - 4	90461-15100	D - 13
5JA-83517-00	F - 2	90101-12746	C - 8	90119-06056	D - 4	90201-08086	B - 6	90340-14132	C - 11	90462-06003	C - 13
4WM-83519-00	F - 2	90105-06007	E - 7	90119-06060	D - 4	90201-085R5	B - 13		C - 5	90462-20248	B - 14
4WM-8353E-01	F - 2		E - 8	90119-06194	D - 5	90201-100L3	B - 6	90340-32080	C - 4	90464-05188	F - 9
4WM-8353F-01	F - 2	90105-06009	F - 7	90119-06217	D - 8	90201-101J1	D - 8	90340-32140	C - 12	90464-07209	F - 8
4WM-83559-00	F - 2	90105-06010	D - 9		E - 15	90201-10118	E - 12	90384-18157	D - 7	90464-08263	F - 8
4WM-83755-00	F - 6		F - 8	90123-08046	F - 5		E - 7	90387-050T5	D - 12	90464-10190	E - 6
3BT-83790-00	B - 13	90105-10170	D - 2	90149-05321	C - 14		E - 8		F - 2		F - 9
4WM-83912-00	F - 5	90105-10290	B - 6	90149-06011	D - 12	90201-10140	E - 5	90387-06028	F - 4	90464-12045	F - 8
4TR-83913-00	F - 5	90105-10638	E - 2	90149-06131	F - 5	90201-120E8	E - 3	90387-0610J	F - 3		F - 9
5EY-83922-00	F - 5		E - 5	90149-06264	F - 2	90201-121H0	C - 7	90387-0615R	D - 12	90464-13073	F - 8
4TR-83945-00	F - 5	90105-10778	E - 10	90149-06328	D - 5	90201-126A7	D - 7	90387-06299	D - 12	90464-13249	D - 13
5BN-83972-00	F - 5	90105-12208	D - 2	90149-06331	B - 10	90201-127E1	C - 15	90387-06574	F - 4	90464-15192	E - 12
4WM-83975-01	F - 5	90105-12309	D - 2	90151-05001	C - 4	90201-127J6	D - 7	90387-07391	B - 10		F - 5
3FV-83980-00	E - 7	90105-12584	C - 7	90151-06013	C - 14	90201-140H8	B - 6	90387-07717	D - 5		F - 8
290-84124-21	F - 3	90105-126A6	D - 2	90152-05005	F - 3	90201-14220	D - 9	90387-087A5	B - 2		F - 9
5BN-84154-00	F - 4	90109-063F8	C - 15	90152-05008	E - 9	90201-152L1	E - 11		B - 3	90464-18266	F - 6
4WM-84310-00	F - 3	90109-065G0	B - 2	90157-05079	F - 9	90201-185R7	E - 4	90387-1007K	E - 10	90464-20181	F - 8
2F9-84314-00	F - 3	90109-067E6	B - 2	90157-06124	C - 11	90201-186M4	D - 7	90387-1214E	D - 8	90464-20191	F - 8
4WM-84315-00	F - 3	90109-080G5	F - 8	90159-06004	E - 13	90201-210U0	E - 10	90387-122J6	D - 7	90464-24230	F - 8
4NK-84320-00	F - 3	90109-08006	E - 2	90164-04023	F - 2		E - 9	90387-126T1	D - 7	90464-25217	D - 13
4WM-84330-00	F - 3	90109-083G4	E - 5	90170-06010	F - 5	90201-220T0	D - 9	90387-127W0	D - 8		E - 6
341-84331-60	F - 3	90109-08441	C - 15	90170-08358	C - 15	90201-232K5	C - 10	90387-202X9	E - 4	90464-32060	F - 9
5G2-84332-60	F - 3	90110-04255	B - 6	90170-10003	E - 4	90201-256K6	C - 10	90387-2200T	D - 15	90464-60067	F - 9
198-84334-60	F - 3	90110-05003	B - 6	90170-20323	C - 9	90202-05057	B - 14	90387-2208J	D - 15	90465-08127	F - 6
42X-84366-00	F - 3		C - 2	90176-06055	D - 12	90202-05193	D - 12	90387-3015P	C - 10	90467-08092	B - 15
4WM-84394-00	F - 3	90110-06004	C - 12	90176-12052	D - 9		F - 7	90387-304K7	C - 11	90467-10008	B - 9
2F9-84395-00	F - 3		C - 5	90176-22081	D - 9	90202-06172	D - 5	90401-08176	B - 9	90467-10041	D - 13
3SX-84397-00	F - 3	90110-06005	C - 2	90179-08004	C - 12	90202-26142	D - 9	90401-10159	E - 12	90467-12053	B - 3
4WM-84527-00	F - 4	90110-06006	B - 7	90179-08148	F - 5	90209-06096	C - 13		E - 7	90467-13042	B - 3
4YU-8454F-00	E - 15	90110-06022	B - 3	90179-08442	B - 14	90209-06250	B - 10		E - 8	90467-13083	B - 10
5BN-84553-00	F - 4	90110-06023	B - 3	90179-14469	B - 6	90209-25196	C - 10	90401-10175	B - 9		B - 11
5JA-84700-00	F - 4	90110-06114	F - 6	90179-22698	C - 12	90209-27192	C - 10	90401-20145	B - 9		D - 13
4NK-84702-00	F - 4	90110-06222	B - 9		C - 13	90209-32231	C - 10	90430-05126	C - 2	90467-14057	E - 11
5KS-84703-10	E - 15		C - 11	90179-25033	D - 9	90214-06002	F - 6	90430-06014	C - 5	90467-19065	B - 14
31L-84714-00	F - 4	90110-06225	B - 8	90183-05068	D - 5	90215-08115	C - 15	90430-06016	C - 12	90468-07179	E - 6
4WM-84717-00	F - 4		C - 11	90183-06053	D - 5	90215-25218	C - 9	90430-08119	B - 9	90468-08104	B - 15

NUMERICAL INDEX

PARTNO.	GRID NO.	PARTNO.	GRID NO.	PARTNO.	GRID NO.	PARTNO.	GRID NO.	PARTNO.	GRID NO.	PARTNO.	GRID NO.
90480-13567	D - 5	91314-08080	C - 2	93106-28043	D - 15	93317-31771	D - 7	95304-08700	C - 15	97007-06025	C - 9
90480-14023	B - 10	91314-08100	C - 2	93106-30004	E - 3	93317-32677	E - 3	95307-06600	F - 4	97024-08025	B - 14
90480-15061	D - 4	91317-06010	C - 5	93106-30029	E - 3	93317-41761	D - 7	95307-08700	E - 11	97080-06008	B - 14
90480-16233	F - 3	91317-06016	B - 9	93109-17071	D - 7	93317-42060	D - 7	95604-06100	E - 7	97707-40010	F - 2
90501-06022	C - 14	91317-06020	B - 10	93210-06667	B - 8	93317-42550	D - 7		F - 5	97707-40016	F - 2
90501-10312	F - 5		B - 8	93210-07003	B - 9	93332-00001	D - 9	95607-05100	B - 14	97707-40516	F - 4
90506-08227	C - 15		E - 7	93210-08006	B - 9	93332-00008	D - 9		E - 9	97707-50525	B - 10
90506-20534	E - 11	91317-06025	C - 12	93210-09165	B - 8	93410-23056	C - 10	95607-08200	E - 10	97707-60540	B - 10
90506-29358	E - 10	91317-06030	C - 12	93210-13657	B - 8	93410-25017	C - 10		E - 11	97780-40525	F - 4
90507-14064	C - 15	91317-06040	C - 12	93210-14369	C - 4	93440-11024	C - 7	95607-10200	D - 2	97801-03008	D - 12
90508-186B1	E - 11	91317-06080	B - 8	93210-15171	B - 8	93440-12052	B - 2	95607-12200	D - 2	98502-04008	F - 3
90560-20339	E - 3	91317-08030	C - 13	93210-16325	B - 8	93440-28062	C - 10		D - 8	98504-05012	B - 11
90560-30234	C - 14	91401-16012	E - 11	93210-16629	B - 8	93440-30077	C - 10	95614-12100	E - 3	98504-05025	F - 5
91314-06014	F - 6	91401-20012	E - 11	93210-18397	D - 7	93440-34025	C - 10	95617-08625	B - 2	98507-03008	F - 2
91314-06016	C - 3	91401-20015	E - 10	93210-22382	C - 2	93450-24028	B - 4	95617-10100	D - 8	98507-04008	B - 12
91314-06020	B - 8		E - 9	93210-23326	B - 9	93450-35015	E - 3	95617-12100	D - 7	98507-04010	B - 13
	C - 15	91492-12008	B - 12		C - 12	93603-07073	C - 11	95617-12630	E - 3	98507-04012	E - 7
	C - 8	91701-06022	E - 11	93210-27370	C - 12	93603-10049	C - 14	95704-06500	E - 14	98507-05008	B - 12
91314-06025	C - 11	91808-16023	B - 2	93210-29196	F - 6	93604-12037	C - 14	95707-05500	D - 12		E - 6
	C - 4		B - 3	93210-30660	C - 10	93604-16092	C - 14		E - 15	98507-05010	B - 13
	C - 5		C - 4		C - 11	93606-10227	C - 5	95707-06500	D - 5		F - 8
	C - 7	92014-05010	C - 2	93210-32172	C - 12	93606-76259	C - 13		F - 7	98507-05020	F - 2
	E - 7	92014-06010	C - 12		C - 4	94113-1614S	D - 15	95707-08500	E - 7	98507-06010	B - 14
91314-06030	C - 5	92014-06012	F - 6	93210-37532	C - 3	94113-1614U	D - 15		E - 8		B - 15
	D - 9	92014-08025	D - 4	93210-472A9	B - 6	94115-1614T	E - 3	95807-06010	D - 5		C - 4
91314-06035	B - 3		E - 11	93210-48214	C - 11	94115-1614V	E - 3	95807-06012	C - 13	98507-06014	D - 5
	C - 13	92017-06012	F - 6	93210-48364	B - 6	94213-16305	D - 15		D - 14	98507-06035	E - 13
	C - 4	92017-10020	D - 2	93210-505A4	B - 10	94213-16306	D - 15		E - 12	98517-06012	B - 14
	C - 5	92017-10030	E - 9	93210-54175	B - 6	94215-16310	E - 3	95807-06014	D - 5	98580-05025	F - 5
91314-06040	B - 3	92902-04100	F - 3	93210-54452	B - 6	94215-16311	E - 3	95807-06016	D - 13	98707-03020	F - 5
	C - 2	92904-08600	B - 14	93210-750A1	C - 5	94313-16179	D - 15		D - 14	98904-06014	B - 10
91314-06045	B - 2	92907-03100	F - 2	93210-77040	B - 10	94315-16177	E - 3	95807-06020	F - 6	98907-05012	D - 13
	C - 4	92907-03600	F - 2	93210-92448	C - 12	94315-16178	E - 3		F - 9	99001-06600	E - 9
91314-06050	B - 3	92907-04100	E - 7	93305-20607	C - 10	94330-16176	D - 15	95807-06025	D - 12	99001-07600	C - 8
	C - 12	92907-04600	E - 7	93306-00304	C - 9	94430-16608	D - 15	95814-08016	C - 11	99001-10600	C - 15
91314-06060	C - 2	92907-05200	B - 14	93306-00416	E - 3	94435-16609	E - 3	95814-08050	C - 13	99009-15400	E - 11
	C - 4	92907-06100	D - 14	93306-00420	D - 15	94701-00262	B - 2	95817-06016	F - 7	99009-52500	E - 3
91314-06065	B - 3	92907-06600	B - 14	93306-20550	C - 10	94701-00379	B - 2	95817-08045	C - 7	99247-00080	D - 4
	C - 5		B - 15	93306-20551	E - 3	95024-06012	E - 15	95827-06012	D - 14	99480-10018	C - 13
91314-06070	C - 4		D - 5	93306-20601	C - 11	95024-06030	E - 14		F - 6	99530-10114	C - 11
91314-06075	C - 2		E - 13	93306-20715	C - 11	95024-08012	C - 2	95827-06130	D - 12		C - 12
91314-06085	C - 2	92907-08600	C - 8	93306-30437	E - 3		D - 14	95827-10016	D - 2		C - 4
91314-06105	C - 2	92990-06600	B - 14	93306-30441	C - 10	95027-06008	F - 9	95827-10025	D - 2		C - 5
91314-08016	E - 15	93102-12224	C - 4	93306-37806	C - 10	95027-06010	B - 15	95827-10035	D - 2	99530-14016	C - 2
91314-08025	D - 4	93102-15212	C - 8	93306-90602	C - 14		E - 15	95827-10050	E - 5		
	D - 9	93102-40330	C - 11	93315-31502	C - 8	95027-06012	D - 5	97004-06020	F - 5		
91314-08050	C - 12	93103-38184	C - 10	93317-11020	C - 8	95027-06016	F - 3	97007-06016	D - 14		
91314-08055	C - 12	93104-08089	C - 5	93317-11287	C - 4	95027-06025	F - 3	97007-06020	D - 14		