

PARTS CATALOGUE

FJR1300	(5JW4)	EUROPE,S.AFRICA
FJR1300	(5JW6)	AUSTRALIA

FJR1300
PARTS CATALOGUE
©2001 by Yamaha Motor Co., Ltd.
1st Edition, December 2001
All rights reserved.
Any reprinting or unauthorized use
without the written permission of
Yamaha Motor Co., Ltd.
is expressly prohibited.

A3



A4

FOREWORD

This Parts Catalogue is related to the parts for the model(s) in the below frame. When you are ordering replacement parts, please refer to this Parts Catalogue and quote both part numbers and part names correctly.

FJR1300(5JW4,5JW6)

1. Modifications or additions which have been made after issue of the Parts Catalogue will be announced in the Yamaha Parts News.
It is advisable that you make necessary corrections to the Parts Catalogue according to the Yamaha Parts News.

2. Abbreviations
The Following abbreviations are used in this Parts Catalogue.

“UR” Use specified parts number.

“UN” Use as many as needed.

“AP” Alternate Parts

“LM” Local Made (Parts need to be ordered locally)

“F#” Frame No. (Applicable machine No.)

3. Parts, which are to be supplied in an assembly, are listed with a dot(.) in front of the part name as shown below.

EXAMPLE

CARBURETOR ASSY

.JET, PILOT

.NOZZLE, MAIN

4. Number of component for assembly
The numeral appearing to the right of each component part indicates the quantity of parts for each assembly unit.

EXAMPLE

PART NO.	DESCRIPTION	Q'TY	REMARKS
2F5-83310-60	FRONT FLASHER LIGHT ASSY	2	
115-83311-60	.BULB (6V-18W)	1	
1M1-83309-60	.REFLECTOR	1	

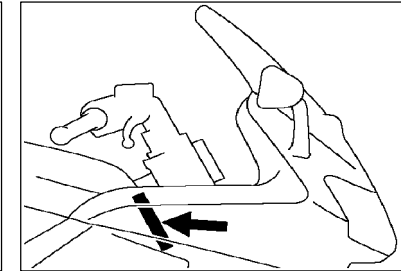
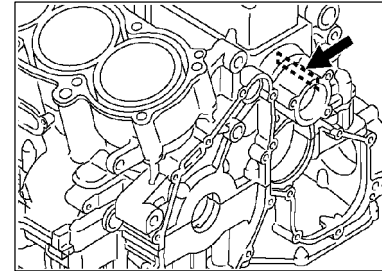
5. Applicable colors of graphics are represented in the “REMARKS” as shown below.

PART NO.	DESCRIPTION	Q'TY	REMARKS
2N4-24110-00-X5	.FUEL TANK COMP.	2	MXR
3J1-24240-10	.GRAPHIC, FUEL TANK	1	for MXR

6. Applicable Serial No.

Engine Serial No.

Frame Serial No.



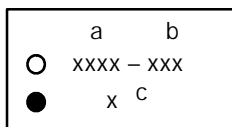
7. Note that the illustrations for reference in finding parts numbers, not to be used for assembling. When assembling, please use the applicable service manual.

8. The asterisk (*) before a reference number indicates modification items after the first edition.

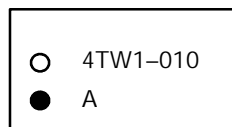
MODEL LABEL

(1) A label called "Model Label" is affixed in the location as indicated in (3) below.
When using this parts catalogue, please be sure to cross-refer the "model code – production code No." in the catalogue to the "model code – production code No." indicated on the Model Label affixed onto the product concerned.

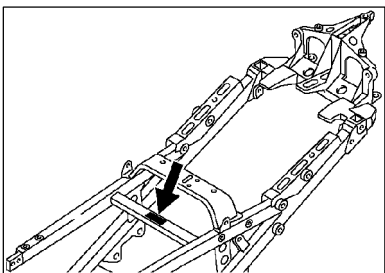
(2) "Model Label" Indication



a: Model Type Code
b: Production Code No.
c: Colouring Type



(3) Model Label Affixing Location



(4) Model Code – Production Code Number of Model Listed in This Parts Catalog

Model Code	Production Code No.	Country (destination)	Model Code	Production Code No.	Country (destination)	
5JW4	020	AUSTRIA	5JW4	120	SWEDEN	
	030	BELGIUM		5JW6	130	S.AFRICA
	031	BELGIUM			010	AUSTRALIA
	040	SWITZERLAND				
	050			DENMARK		
			FINLAND			
			NORWAY			
	070	ENGLAND				
	071	ENGLAND				
	080	GREECE				
	090	ITALY				
	091	ITALY				
	100	HOLLAND				
101	HOLLAND					
110	PORTUGAL					

(5) Colouring Information

Model Code	Colouring type code	Colour code	Colour Name	Abbreviation
5JW4	A	0564	DEEP PURPLISH BLUE METALLIC C	DPBMC
	B	0779	DULL RED METALLIC D	DRMD
5JW6	C	0660	SILVER METALLIC 1	SM1

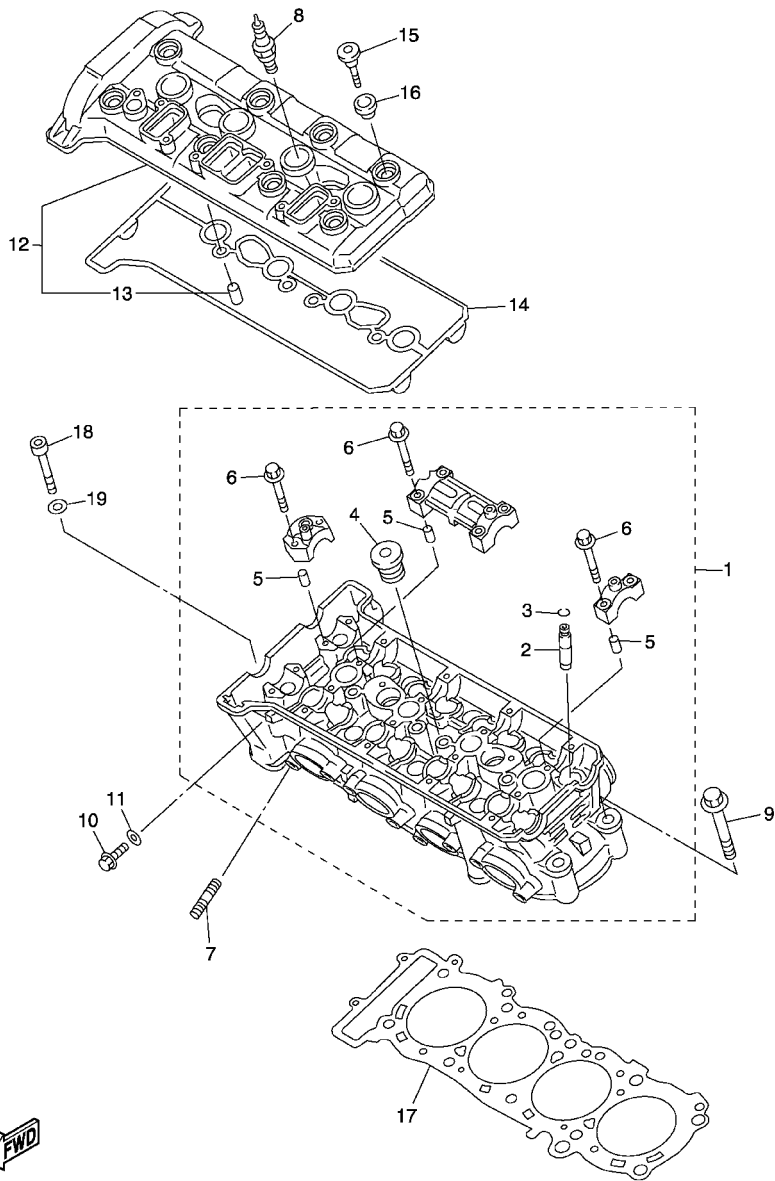


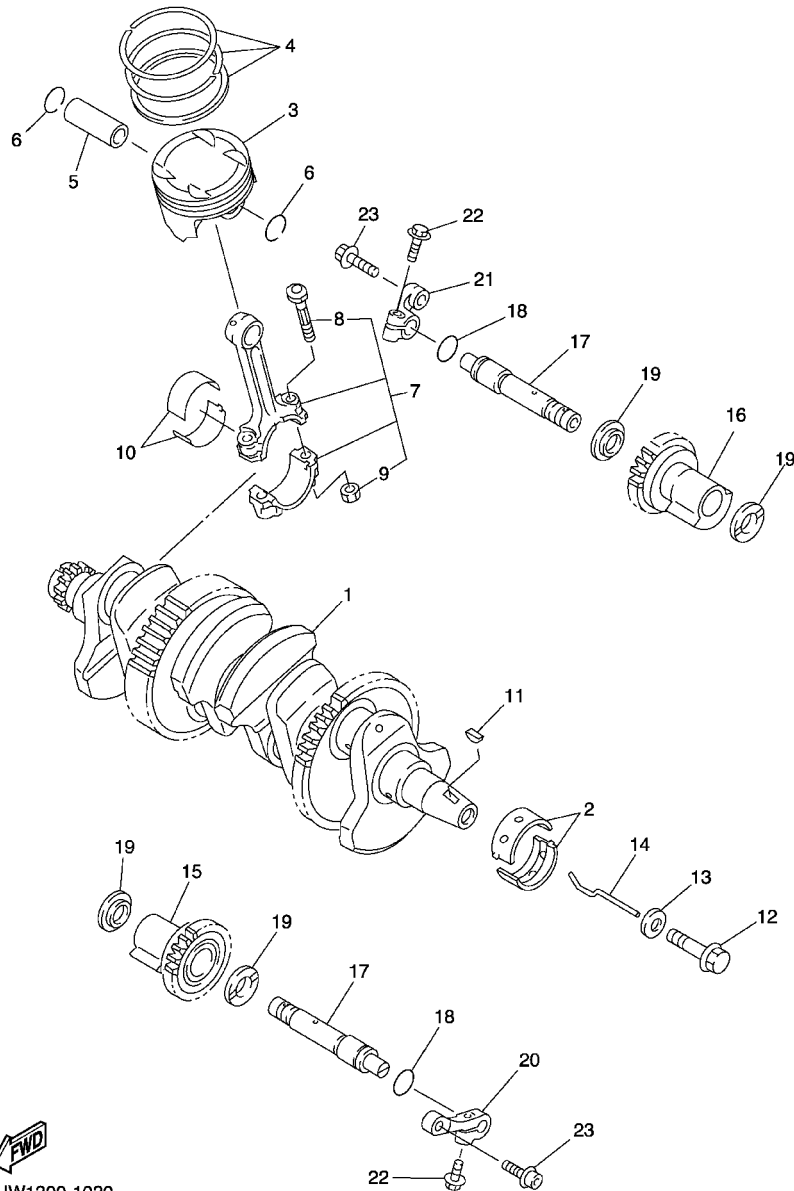
FIG. 1 CYLINDER

REF. NO.	PART NO.	DESCRIPTION	5JW4	5JW6	REMARKS
1	5JW-11102-00	CYLINDER HEAD ASSY	1	1	
2	5JW-11133-10	.GUIDE, INTAKE VALVE	16	16	
3	93440-09141	.CIRCLIP	16	16	
4	90340-27001	.PLUG, STRAIGHT SCREW	1	1	
5	91808-16023	.PIN, DOWEL	8	8	
6	90105-06384	.BOLT, FLANGE	20	20	
7	95617-08620	BOLT, STUD	8	8	
8	94701-00330	PLUG, SPARK (NGK CR8E)	4	4	UR
	94701-00329	PLUG, SPARK (U24ESR-N)	4	4	UR
9	90119-10004	BOLT, WITH WASHER	10	10	
10	95027-08012	BOLT, FLANGE	1	1	
11	90430-08119	GASKET	1	1	
12	5JW-11191-00	COVER, CYLINDER HEAD 1	1	1	
13	91810-20001	.PIN, DOWEL	4	4	
14	5JW-11193-00	GASKET, HEAD COVER 1	1	1	
15	90109-066F0	BOLT	8	8	
16	4KG-1111G-00	RUBBER, MOUNT 1	8	8	
17	5JW-11181-00	GASKET, CYLINDER HEAD 1	1	1	
18	91317-06065	BOLT	2	2	
19	90201-06016	WASHER, PLATE	2	2	



5JW1300-1010

FIG. 2 CRANKSHAFT. PISTON

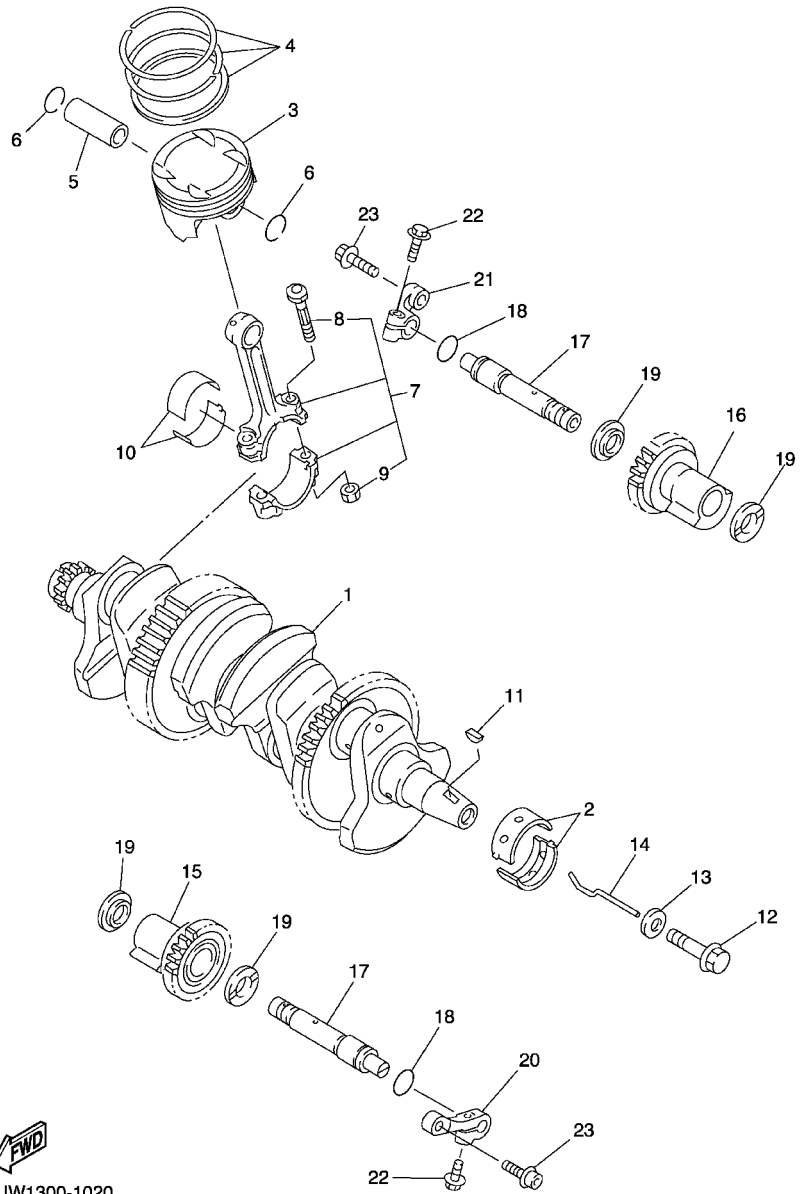



5JW1300-1020

REF. NO.	PART NO.	DESCRIPTION	5JW4	5JW6	REMARKS
1	5JW-11411-00	CRANKSHAFT	1	1	
2	3LD-11416-10	PLANE BEARING, CRANKSHAFT 1	10	10	UR BLACK
	3LD-11416-20	PLANE BEARING, CRANKSHAFT 1	10	10	UR BROWN
	3LD-11416-30	PLANE BEARING, CRANKSHAFT 1	10	10	UR GREEN
	3LD-11416-40	PLANE BEARING, CRANKSHAFT 1	10	10	UR YELLOW
	3LD-11416-50	PLANE BEARING, CRANKSHAFT 1	10	10	UR PINK
	3LD-11416-60	PLANE BEARING, CRANKSHAFT 1	10	10	UR RED
	3LD-11416-70	PLANE BEARING, CRANKSHAFT 1	10	10	UR WHITE
3	5JW-11631-00	PISTON (STD)	4	4	
4	5JW-11603-00	PISTON RING SET (STD)	4	4	
5	5JW-11633-00	PIN, PISTON	4	4	
6	93450-19095	CIRCLIP	8	8	
7	5JW-11650-01	CONNECTING ROD ASSY	4	4	
8	5JW-11654-00	.BOLT, CONNECTING ROD	2	2	
9	90179-08327	.NUT	2	2	
10	5JW-11656-00	PLANE BEARING, CONNECTING ROD	8	8	UR BLUE
	5JW-11656-10	PLANE BEARING, CONNECTING ROD	8	8	UR BLACK
	5JW-11656-20	PLANE BEARING, CONNECTING ROD	8	8	UR BROWN
	5JW-11656-30	PLANE BEARING, CONNECTING ROD	8	8	UR GREEN
	5JW-11656-40	PLANE BEARING, CONNECTING ROD	8	8	UR YELLOW
	5JW-11656-50	PLANE BEARING, CONNECTING ROD	8	8	UR PINK
11	90280-05029	KEY, WOODRUFF	1	1	
12	90105-12005	BOLT, FLANGE	1	1	
13	90201-121H0	WASHER, PLATE	1	1	
14	5JW-11455-00	SHAFT 1	1	1	
15	5JW-11500-00	BALANCER ASSY	1	1	
16	5JW-11510-00	BALANCER ASSY, 2	1	1	

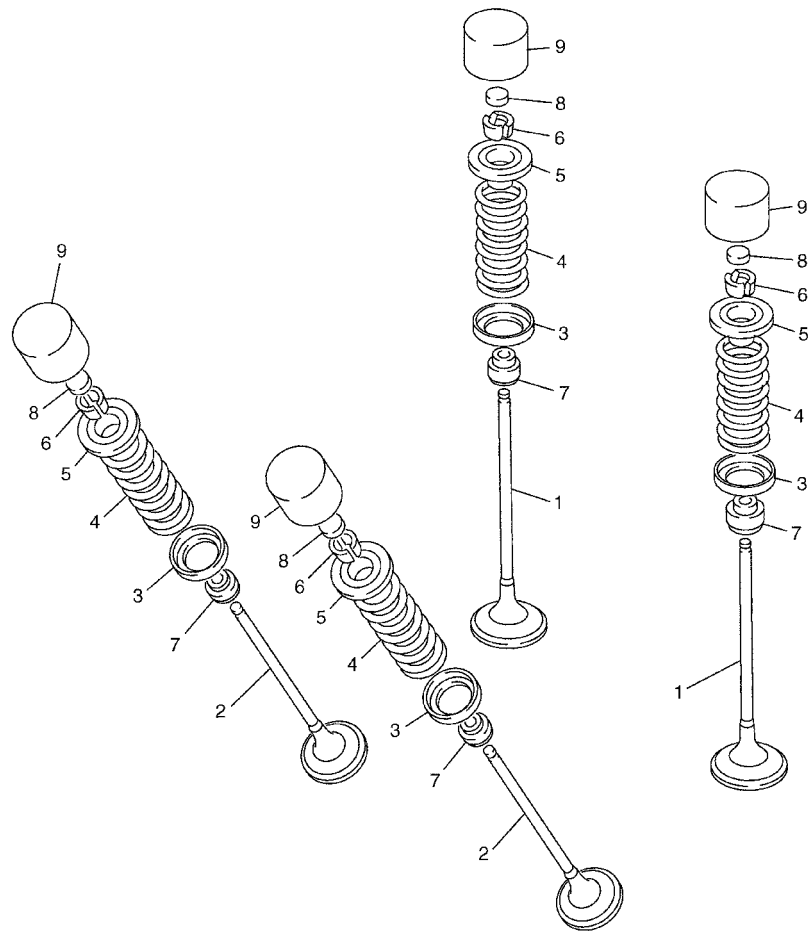
FIG. 2 CRANKSHAFT. PISTON

REF. NO.	PART NO.	DESCRIPTION	5JW4	5JW6	REMARKS
17	5JW-11583-00	SHAFT, BALANCER 1	2	2	
18	93210-16325	O-RING	2	2	
19	5JW-11557-00	WASHER 1	4	4	
20	5JW-13831-00	LEVER 1	1	1	
21	5JW-13832-00	LEVER 2	1	1	
22	95027-06020	BOLT, FLANGE	2	2	
23	90110-08006	BOLT, HEXAGON SOCKET HEAD	2	2	



 5JW1300-1020

FIG. 3 VALVE



REF. NO.	PART NO.	DESCRIPTION	5JW4	5JW6			REMARKS
1	5JW-12111-00	VALVE, INTAKE	8	8			
2	5JW-12121-00	VALVE, EXHAUST	8	8			
3	5JW-12116-00	SEAT, VALVE SPRING	16	16			
4	5JW-12113-00	SPRING, VALVE INNER	16	16			
5	5JW-12117-00	RETAINER, VALVE SPRING	16	16			
6	1AA-12118-00	COTTER, VALVE	32	32			
7	33M-12119-00	SEAL, VALVE STEM	16	16			
8	3LD-12168-00	PAD, ADJUSTING (1.20)	16	16			UR
	3LD-12168-20	PAD, ADJUSTING (1.25)	16	16			UR
	3LD-12168-40	PAD, ADJUSTING (1.30)	16	16			UR
	3LD-12168-60	PAD, ADJUSTING (1.35)	16	16			UR
	3LD-12168-80	PAD, ADJUSTING (1.40)	16	16			UR
	3LD-12168-A0	PAD, ADJUSTING (1.45)	16	16			UR
	3LD-12168-F0	PAD, ADJUSTING (1.50)	16	16			UR
	3LD-12168-H1	PAD, ADJUSTING (1.55)	16	16			UR
	3LD-12168-K1	PAD, ADJUSTING (1.60)	16	16			UR
	3LD-12168-M1	PAD, ADJUSTING (1.65)	16	16			UR
	3LD-12168-R1	PAD, ADJUSTING (1.70)	16	16			UR
	3LD-12168-U1	PAD, ADJUSTING (1.75)	16	16			UR
	3LD-12168-W1	PAD, ADJUSTING (1.80)	16	16			UR
	3LD-12168-Y1	PAD, ADJUSTING (1.85)	16	16			UR
	3LD-12169-11	PAD, ADJUSTING (1.90)	16	16			UR
	3LD-12169-31	PAD, ADJUSTING (1.95)	16	16			UR
	3LD-12169-50	PAD, ADJUSTING (2.00)	16	16			UR
	3LD-12169-70	PAD, ADJUSTING (2.05)	16	16			UR
	3LD-12169-90	PAD, ADJUSTING (2.10)	16	16			UR
	3LD-12169-E0	PAD, ADJUSTING (2.15)	16	16			UR



5JW1300-1030



5JW1300-1030

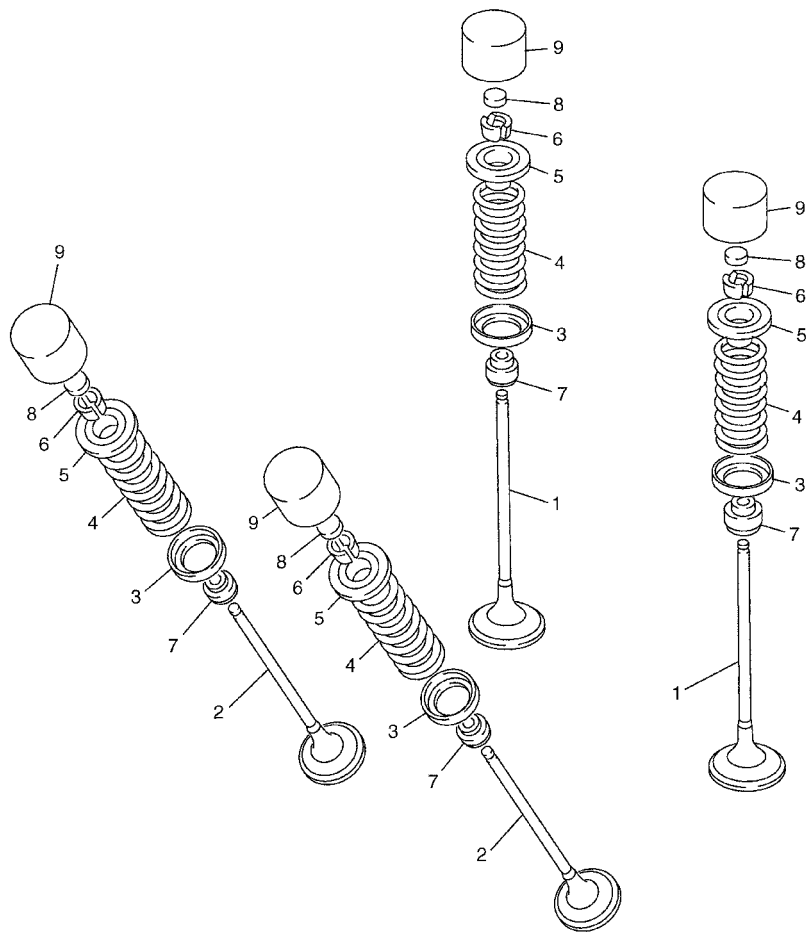
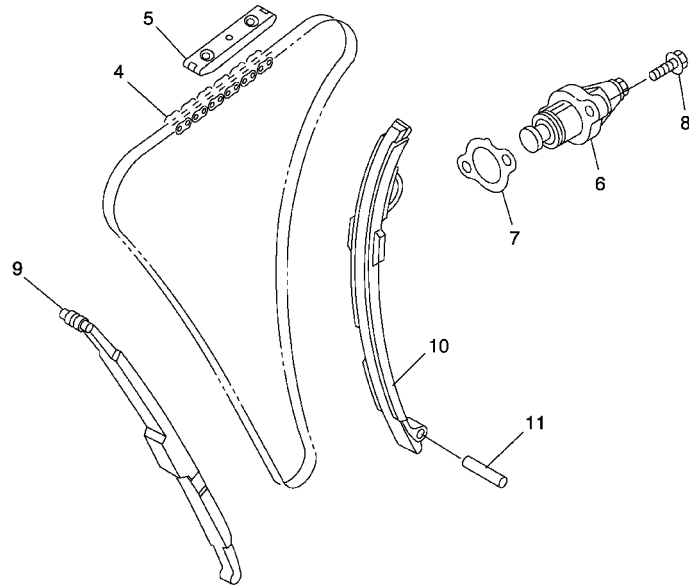
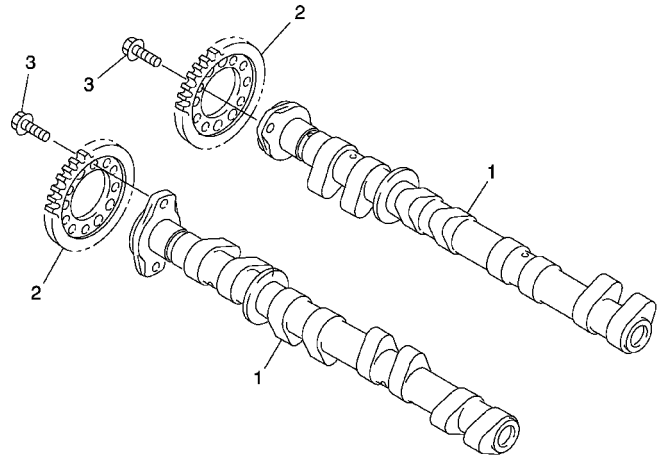


FIG. 3 VALVE

REF. NO.	PART NO.	DESCRIPTION	5JW4	5JW6				REMARKS
8	3LD-12169-G0	PAD, ADJUSTING (2.20)	16	16				UR
	3LD-12169-J0	PAD, ADJUSTING (2.25)	16	16				UR
	3LD-12169-L0	PAD, ADJUSTING (2.30)	16	16				UR
	3LD-12169-N0	PAD, ADJUSTING (2.35)	16	16				UR
	3LD-12169-T0	PAD, ADJUSTING (2.40)	16	16				UR
9	5EB-12153-20	LIFTER, VALVE	16	16				UR BLUE
	5EB-12153-09	LIFTER, VALVE	16	16				UR GREEN

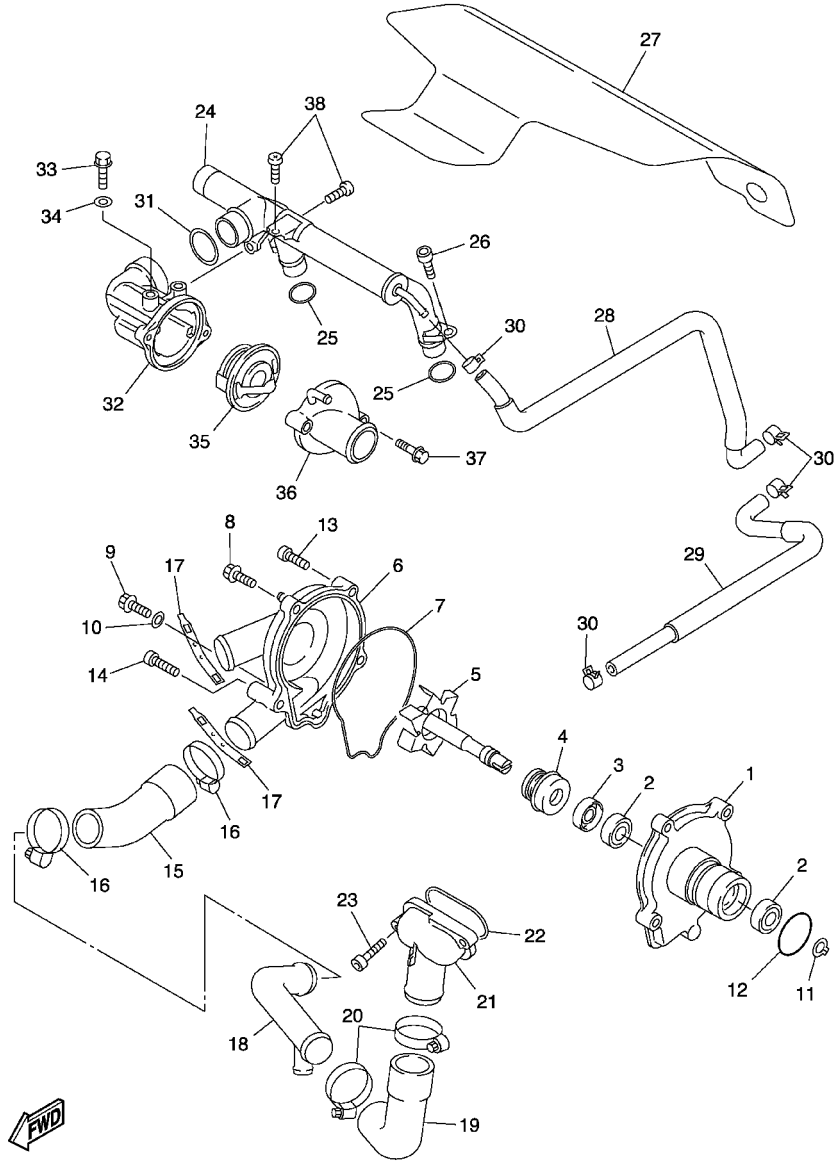
FIG. 4 CAMSHAFT. CHAIN



5JW1300-1040

REF. NO.	PART NO.	DESCRIPTION	5JW4	5JW6	REMARKS
1	5JW-12171-00	CAMSHAFT 1	2	2	
2	5JW-12176-00	SPROCKET, CAM CHAIN	2	2	
3	90105-07342	BOLT, FLANGE	4	4	
4	94591-49136	CHAIN	1	1	
5	5BE-12241-00	GUIDE, STOPPER 2	1	1	
6	5JW-12210-01	TENSIONER ASSY, CAM CHAIN	1	1	
7	5JW-12213-00	GASKET, TENSIONER CASE	1	1	
8	95027-06025	BOLT, FLANGE	2	2	
9	5JW-12251-00	DAMPER, CHAIN 1	1	1	
10	5JW-12252-00	DAMPER, CHAIN 2	1	1	
11	93607-44190	PIN, DOWEL	1	1	

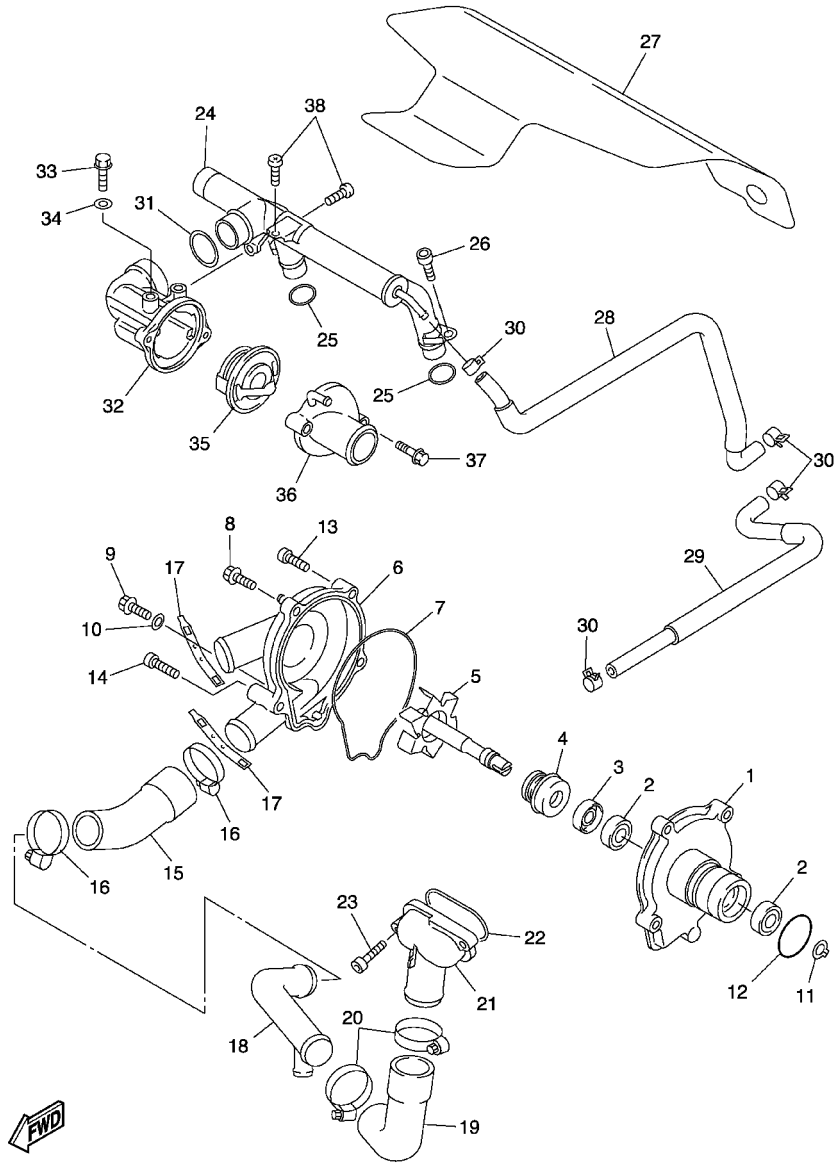
FIG. 5 WATER PUMP



FWD
5JW1300-1050

REF. NO.	PART NO.	DESCRIPTION	5JW4	5JW6	REMARKS
1	5JW-12421-00	HOUSING, WATER PUMP	1	1	
2	93306-00106	BEARING	2	2	
3	93102-12372	OIL SEAL	1	1	
4	11H-12438-10	SEAL, MECHANICAL	1	1	
5	5JW-12450-00	IMPELLER SHAFT ASSY	1	1	
6	5JW-12422-00	COVER, HOUSING	1	1	
7	5JW-12439-00	O-RING	1	1	
8	90105-066A5	BOLT, FLANGE	1	1	
9	95024-06025	BOLT, FLANGE	1	1	
10	90430-06014	GASKET	1	1	
11	99009-12400	CIRCLIP	1	1	
12	93210-33133	O-RING	1	1	
13	90110-06033	BOLT, HEXAGON SOCKET HEAD	2	2	
14	90110-06034	BOLT, HEXAGON SOCKET HEAD	1	1	
15	5JW-12576-00	HOSE 1	1	1	
16	90450-38040	HOSE CLAMP ASSY	2	2	
17	5GV-1246E-00	COVER 2	2	2	
18	5JW-12581-00	JOINT, HOSE 1	1	1	
19	5JW-12577-00	HOSE 2	1	1	
20	90450-38040	HOSE CLAMP ASSY	2	2	
21	5JW-12469-00	JOINT 1	1	1	
22	93210-47675	O-RING	1	1	
23	90110-06019	BOLT, HEXAGON SOCKET HEAD	2	2	
24	5JW-12481-00	PIPE 1	1	1	
25	93210-18417	O-RING	2	2	
26	91317-06016	BOLT	2	2	
27	5JW-12682-00	PROTECTOR, HEAT	1	1	

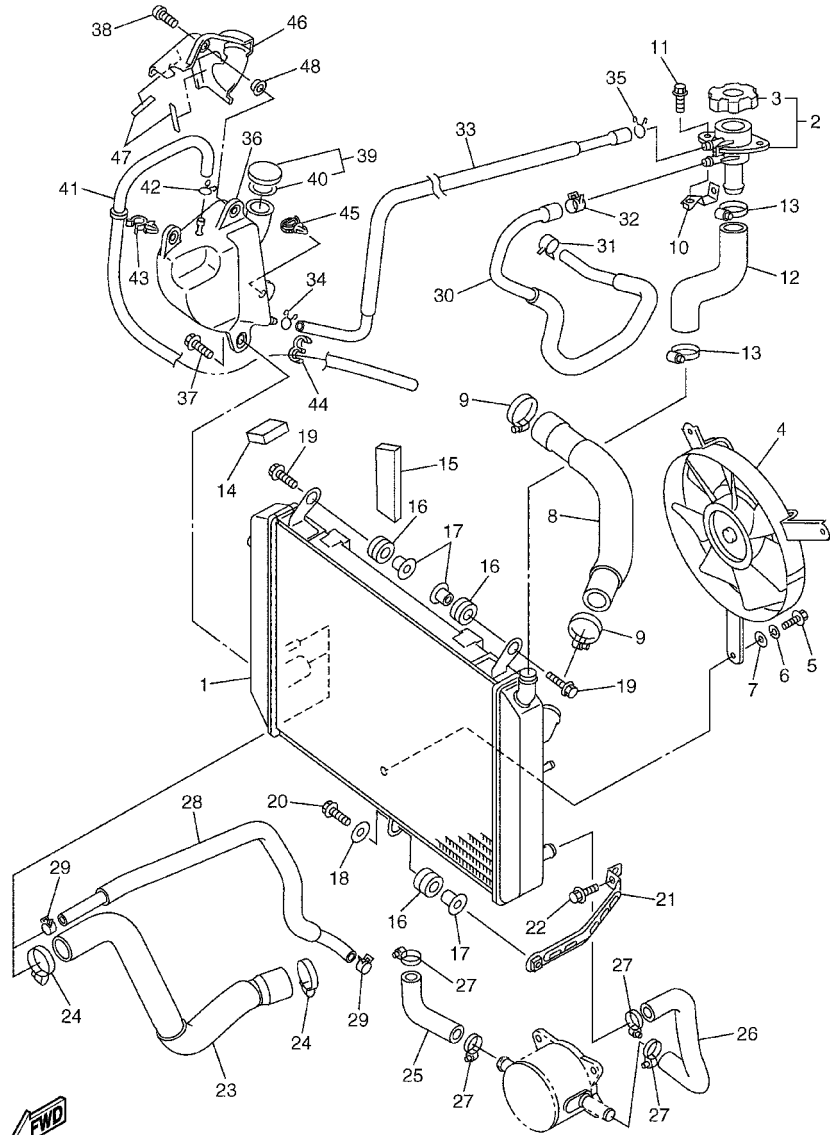
FIG. 5 WATER PUMP



5JW1300-1050

REF. NO.	PART NO.	DESCRIPTION	5JW4	5JW6	REMARKS
28	5JW-12578-00	HOSE 3	1	1	
29	5JW-12579-00	HOSE 4	1	1	
30	90467-11090	CLIP	4	4	
31	93210-23787	O-RING	1	1	
32	5JW-12417-00	HOUSING, THERMOSTAT	1	1	
33	95027-06010	BOLT, FLANGE	1	1	
34	90430-06014	GASKET	1	1	
35	4FM-12410-00	THERMOSTAT ASSY	1	1	
36	3FV-1240G-00	THERMOSTAT COVER ASSY	1	1	
37	95027-06025	BOLT, FLANGE	2	2	
38	90149-06250	SCREW	2	2	

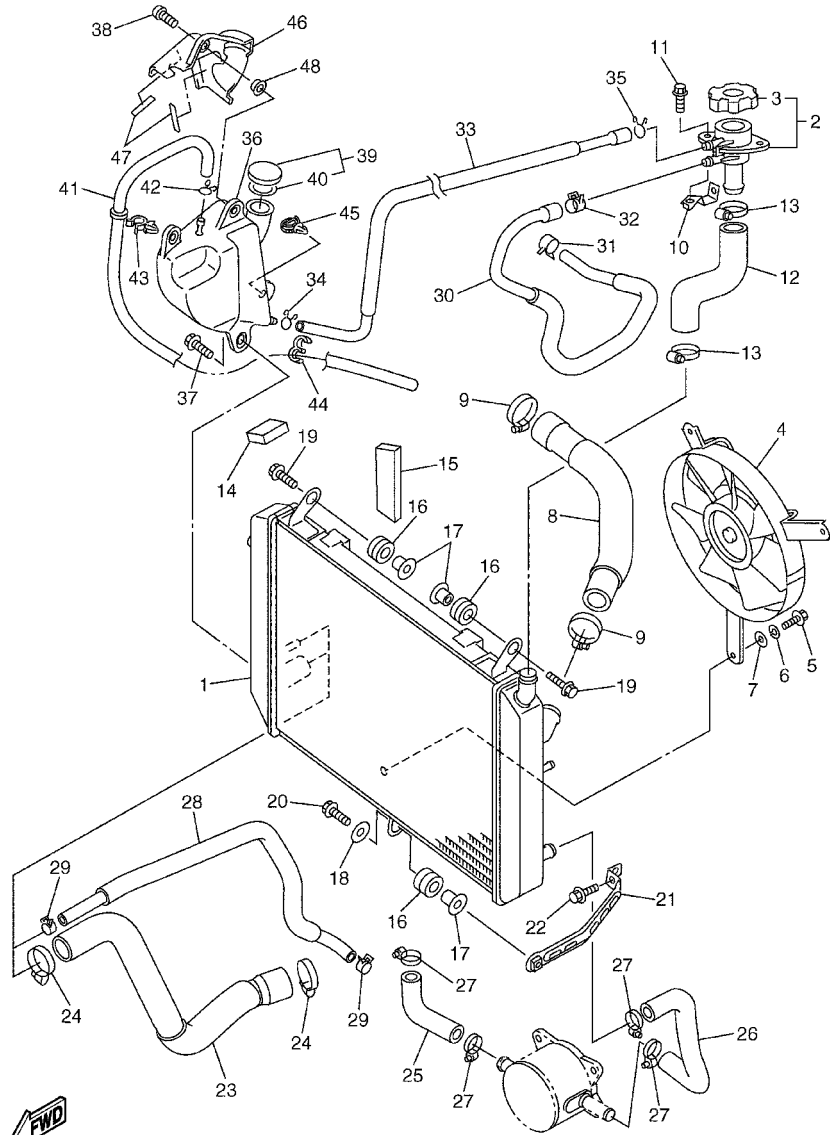
FIG. 6 RADIATOR. HOSE



 5JW1300-1060

REF. NO.	PART NO.	DESCRIPTION	5JW4	5JW6	REMARKS
1	5JW-12461-00	RADIATOR ASSY	1	1	
2	5JW-12590-00	CONDUCTION ASSY	1	1	
3	3XP-12462-00	.CAP, RADIATOR	1	1	
4	5JW-12405-01	BLOWER ASSY	1	1	
5	97307-06012	BOLT	3	3	
6	92907-06100	WASHER, SPRING	3	3	
7	92907-06600	WASHER, PLATE	3	3	
8	5JW-12588-00	HOSE 5	1	1	
9	90450-38040	HOSE CLAMP ASSY	2	2	
10	5JW-1244E-00	BRACKET 1	1	1	
11	95027-06012	BOLT, FLANGE	1	1	
12	5JW-1243F-00	HOSE,3	1	1	
13	90450-28014	HOSE CLAMP ASSY	2	2	
14	5JW-12659-00	DAMPER, AIR SHROUD 2	1	1	
15	5JW-12668-00	DAMPER, AIR SHROUD 3	1	1	
16	90480-15363	GROMMET	3	3	
17	90387-06039	COLLAR	3	3	
18	90201-06071	WASHER, PLATE	1	1	
19	95827-06030	BOLT, FLANGE	2	2	
20	95827-06025	BOLT, FLANGE	1	1	
21	5JW-12464-10	STAY, RADIATOR	1	1	
22	95827-06012	BOLT, FLANGE	1	1	
23	5JW-12589-00	HOSE 6	1	1	
24	90450-38040	HOSE CLAMP ASSY	2	2	
25	5JW-12551-00	HOSE 7	1	1	
26	5JW-12552-00	HOSE 8	1	1	
27	90450-22017	HOSE CLAMP ASSY	4	4	

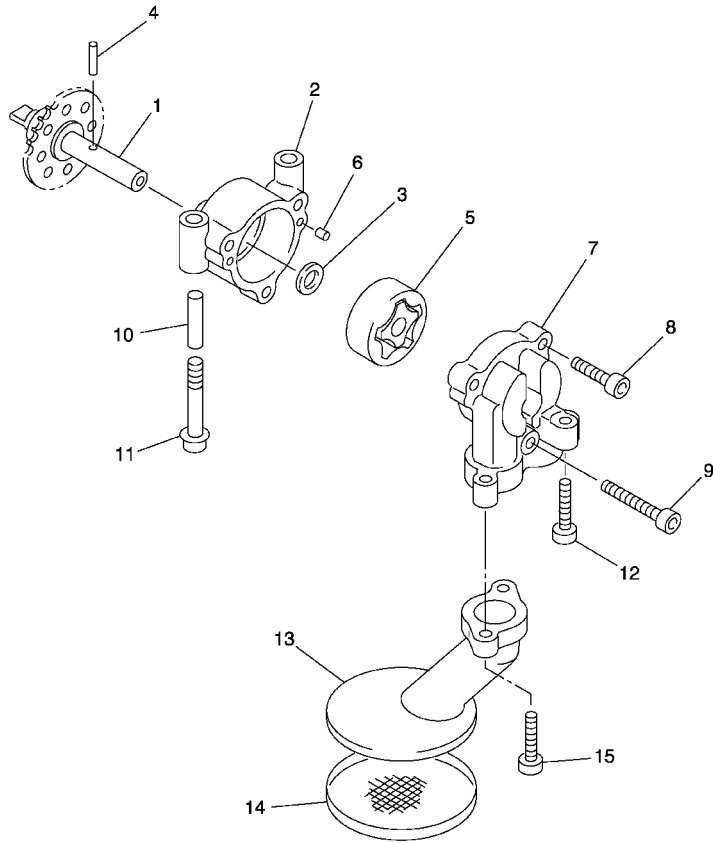
FIG. 6 RADIATOR. HOSE



5JW1300-1060

REF. NO.	PART NO.	DESCRIPTION	5JW4	5JW6	REMARKS
28	5JW-1243A-00	HOSE 1	1	1	
29	90467-11090	CLIP	2	2	
30	5JW-1243E-00	HOSE 2	1	1	
31	90467-11090	CLIP	1	1	
32	90467-13083	CLIP	1	1	
33	5JW-1244G-00	HOSE, 4	1	1	
34	90467-09006	CLIP	1	1	
35	90467-10008	CLIP	1	1	
36	5JW-21871-00	TANK, RECOVERY	1	1	
37	90119-06117	BOLT, WITH WASHER	1	1	
38	90119-06096	BOLT, WITH WASHER	1	1	
39	1AA-21815-00	CAP	1	1	
40	1AA-21874-00	GASKET	1	1	
41	90445-09009	HOSE	1	1	
42	90467-09006	CLIP	1	1	
43	90464-09129	CLAMP	1	1	
44	90464-60067	CLAMP	1	1	
45	90464-13249	CLAMP	1	1	
46	5JW-21873-00	BRACKET, RECOVERY TANK	1	1	
47	5DM-28371-00	DAMPER	2	2	
48	90387-064J1	COLLAR	1	1	

FIG. 7 OIL PUMP

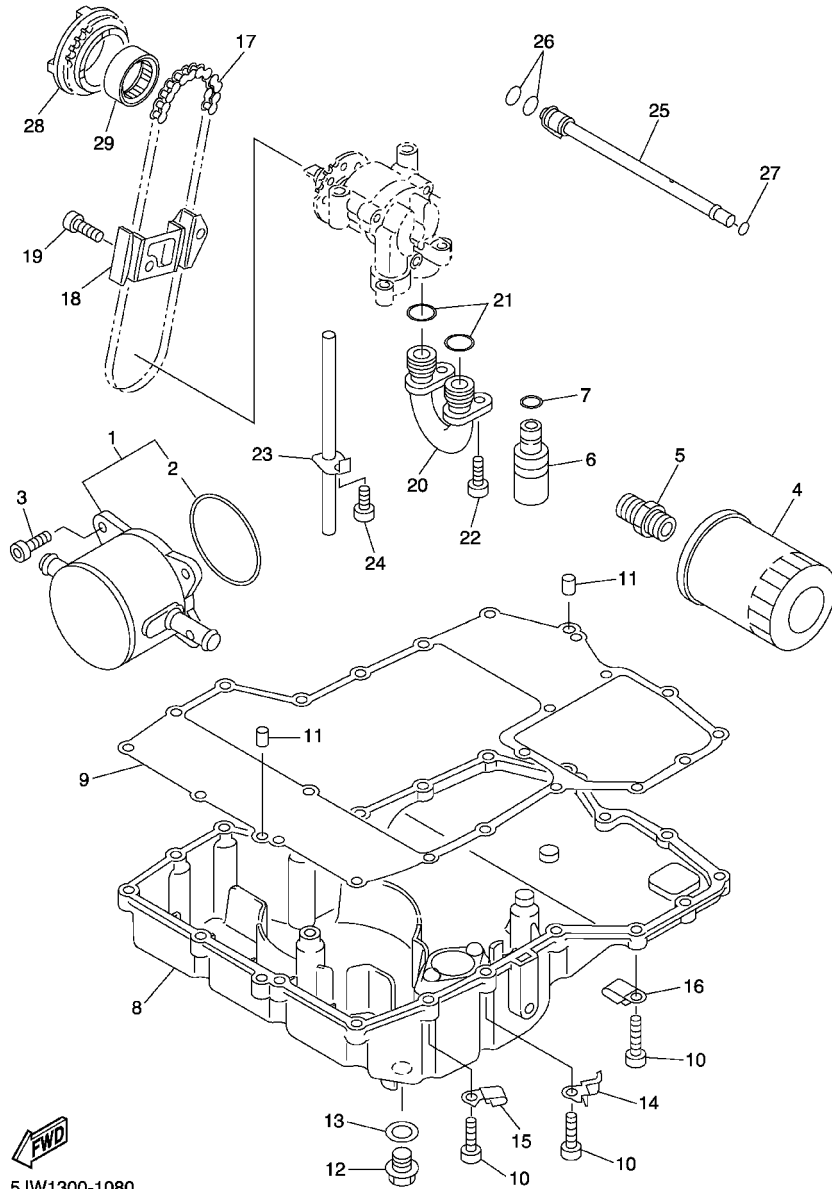


REF. NO.	PART NO.	DESCRIPTION	5JW4	5JW6	REMARKS
1	5JW-13330-00	PUMP SHAFT ASSY	1	1	
2	5JW-13316-00	COVER, PUMP	1	1	
3	90201-113K2	WASHER, PLATE	1	1	
4	93603-17070	PIN, DOWEL	1	1	
5	5JW-13310-00	ROTOR ASSY 1	1	1	
6	93603-09106	PIN, DOWEL	2	2	
7	5JW-13336-00	HOUSING, ROTOR	1	1	
8	91317-06025	BOLT	2	2	
9	91317-06040	BOLT	1	1	
10	91808-30031	PIN, DOWEL	2	2	
11	90110-06026	BOLT, HEXAGON SOCKET HEAD	2	2	
12	90110-06020	BOLT, HEXAGON SOCKET HEAD	1	1	
13	5JW-13412-00	HOUSING, STRAINER	1	1	
14	5JW-13411-00	STRAINER, OIL	1	1	
15	90110-06019	BOLT, HEXAGON SOCKET HEAD	2	2	



5JW1300-1070

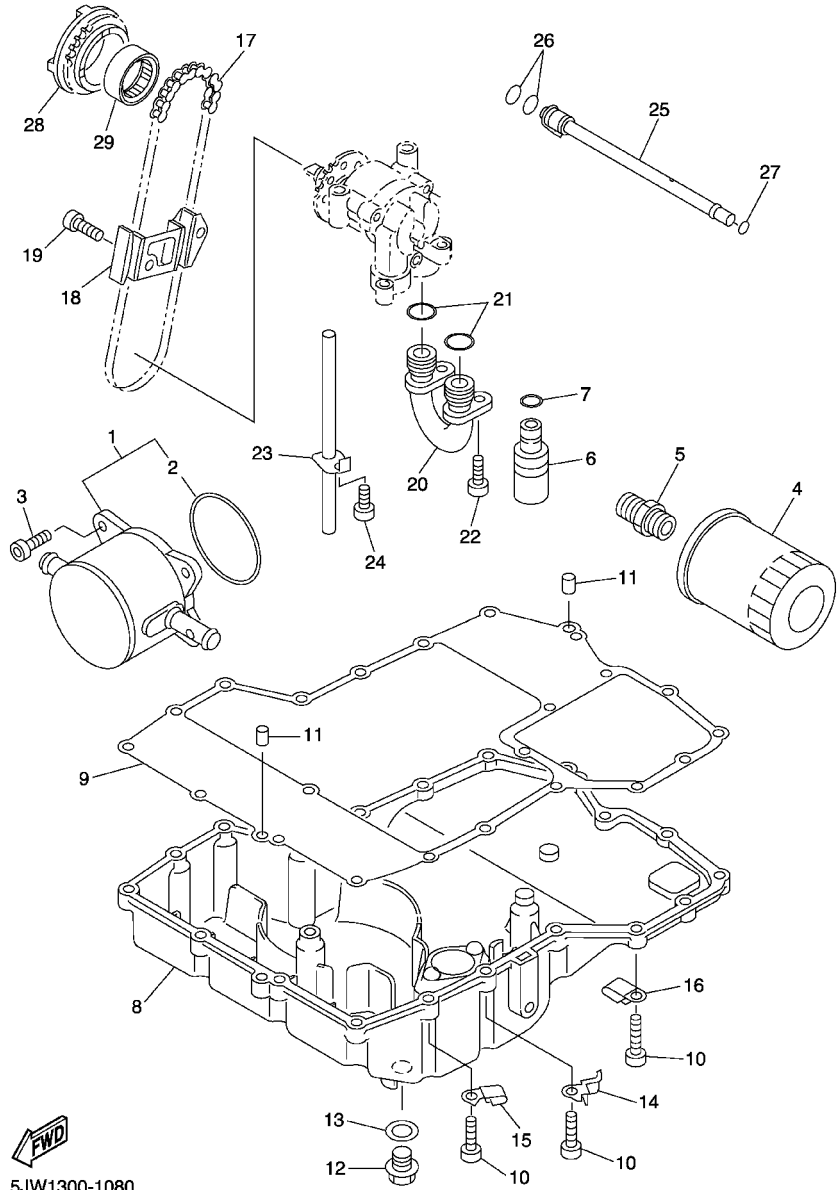
FIG. 8 OIL COOLER



5JW1300-1080

REF. NO.	PART NO.	DESCRIPTION	5JW4	5JW6	REMARKS
1	5JW-13470-00	OIL COOLER ASSY	1	1	
2	5JW-13473-00	.O-RING	1	1	
3	90110-06027	BOLT, HEXAGON SOCKET HEAD	4	4	
4	5JW-13440-00	ELEMENT ASSY, OIL CLEANER	1	1	
5	90401-20145	BOLT, UNION	1	1	
6	5PW-13490-00	RELIEF VALVE ASSY	1	1	
7	93210-15566	O-RING	1	1	
8	5JW-13417-00	COVER, STRAINER	1	1	
9	5JW-13414-00	GASKET, STRAINER COVER	1	1	
10	91317-06025	BOLT	20	20	
11	99530-08012	PIN, DOWEL	2	2	
12	90340-14132	PLUG, STRAIGHT SCREW	1	1	
13	214-11198-01	GASKET	1	1	
14	90465-10306	CLAMP	1	1	
15	90465-08122	CLAMP	1	1	
16	90465-08028	CLAMP	1	1	
17	94581-85078	CHAIN	1	1	
18	5JW-13898-00	HOLDER	1	1	
19	90110-06018	BOLT, HEXAGON SOCKET HEAD	2	2	
20	5JW-13416-00	PIPE, OIL 1	1	1	
21	93210-14001	O-RING	2	2	
22	90110-06041	BOLT, HEXAGON SOCKET HEAD	2	2	
23	5JW-13161-00	PIPE, DELIVERY 1	1	1	
24	90110-06018	BOLT, HEXAGON SOCKET HEAD	1	1	
25	5JW-1316E-00	PIPE, DELEVERY 5	1	1	
26	93210-09165	O-RING	2	2	
27	93210-06667	O-RING	1	1	

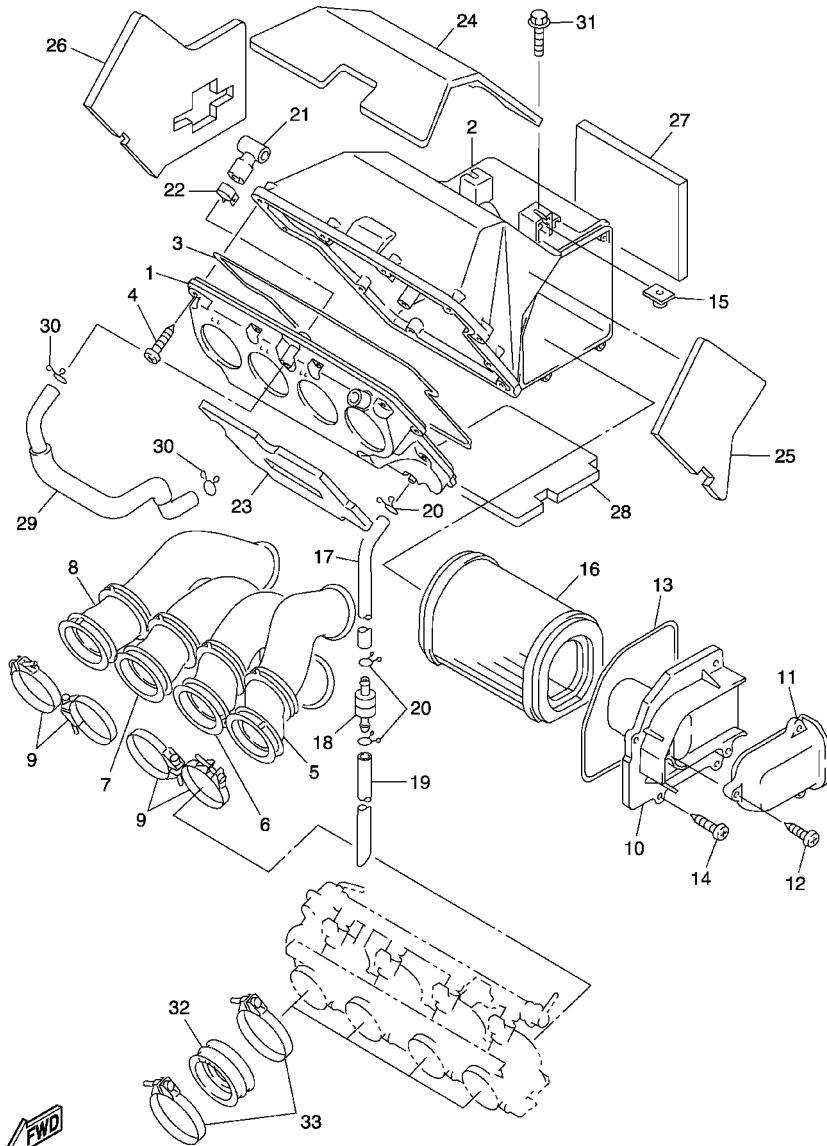
FIG. 8 OIL COOLER




5JW1300-1080

REF. NO.	PART NO.	DESCRIPTION	5JW4	5JW6	REMARKS
28	5JW-13354-00	SPROCKET, DRIVE	1	1	
29	93315-23607	BEARING	1	1	

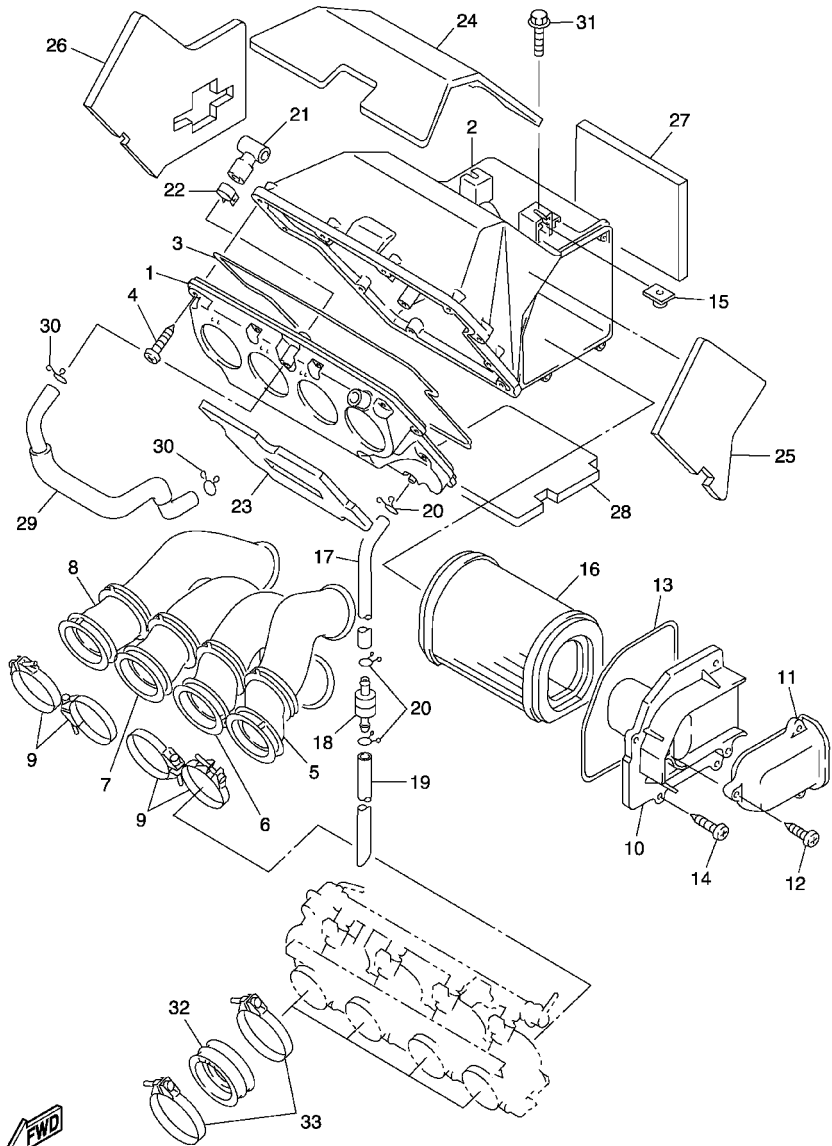
FIG. 9 INTAKE



 5JW1300-1090

REF. NO.	PART NO.	DESCRIPTION	5JW4	5JW6	REMARKS
1	5JW-14411-00	CASE, AIR CLEANER 1	1	1	
2	5JW-14421-00	CASE, AIR CLEANER 2	1	1	
3	4XV-14452-00	SEAL	1	1	
4	97707-50125	SCREW, TAPPING	11	11	
5	5JW-14453-00	JOINT, AIR CLEANER 1	1	1	
6	5JW-14463-00	JOINT, AIR CLEANER 2	1	1	
7	5JW-14454-00	JOINT	1	1	
8	5JW-14568-00	JOINT	1	1	
9	90450-57001	HOSE CLAMP ASSY	4	4	
10	5JW-14412-00	CAP, CLEANER CASE 1	1	1	
11	5JW-14437-00	DUCT	1	1	
12	97707-50125	SCREW, TAPPING	3	3	
13	5JW-14452-00	SEAL	1	1	
14	97707-50125	SCREW, TAPPING	4	4	
15	31A-14477-00	PLATE	2	2	
16	5JW-14451-00	ELEMENT, AIR CLEANER	1	1	
17	90445-11293	HOSE (L198)	1	1	
18	4X7-2149Y-00	FILTER ASSY	1	1	
19	90445-11003	HOSE (L280)	1	1	
20	90467-10041	CLIP	3	3	
21	5JW-14419-00	PIPE	1	1	
22	90468-08104	CLIP	1	1	
23	5JW-14409-00	DAMPER	1	1	
24	5JW-14425-00	DAMPER 1	1	1	
25	5JW-14426-00	DAMPER 2	1	1	
26	5JW-1442G-00	DAMPER 3	1	1	
27	5JW-1442H-00	DAMPER 4	1	1	

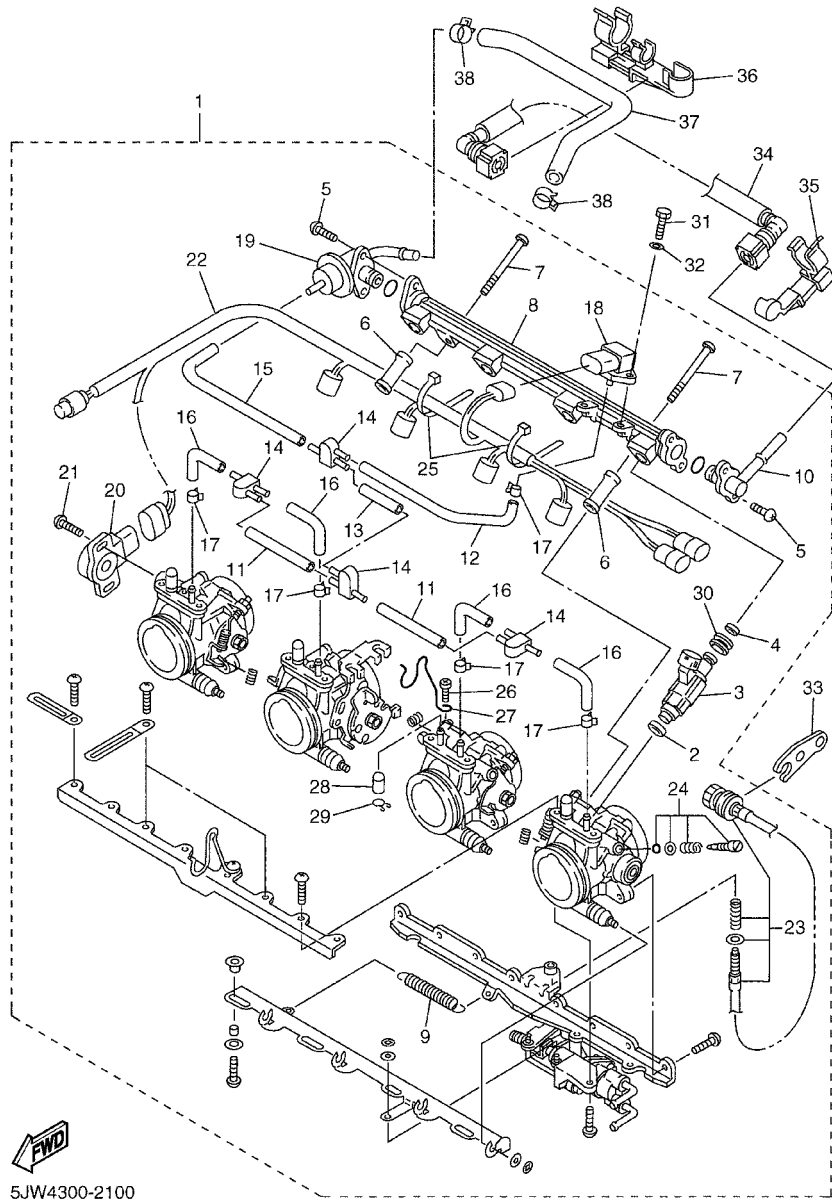
FIG. 9 INTAKE



5JW1300-1090

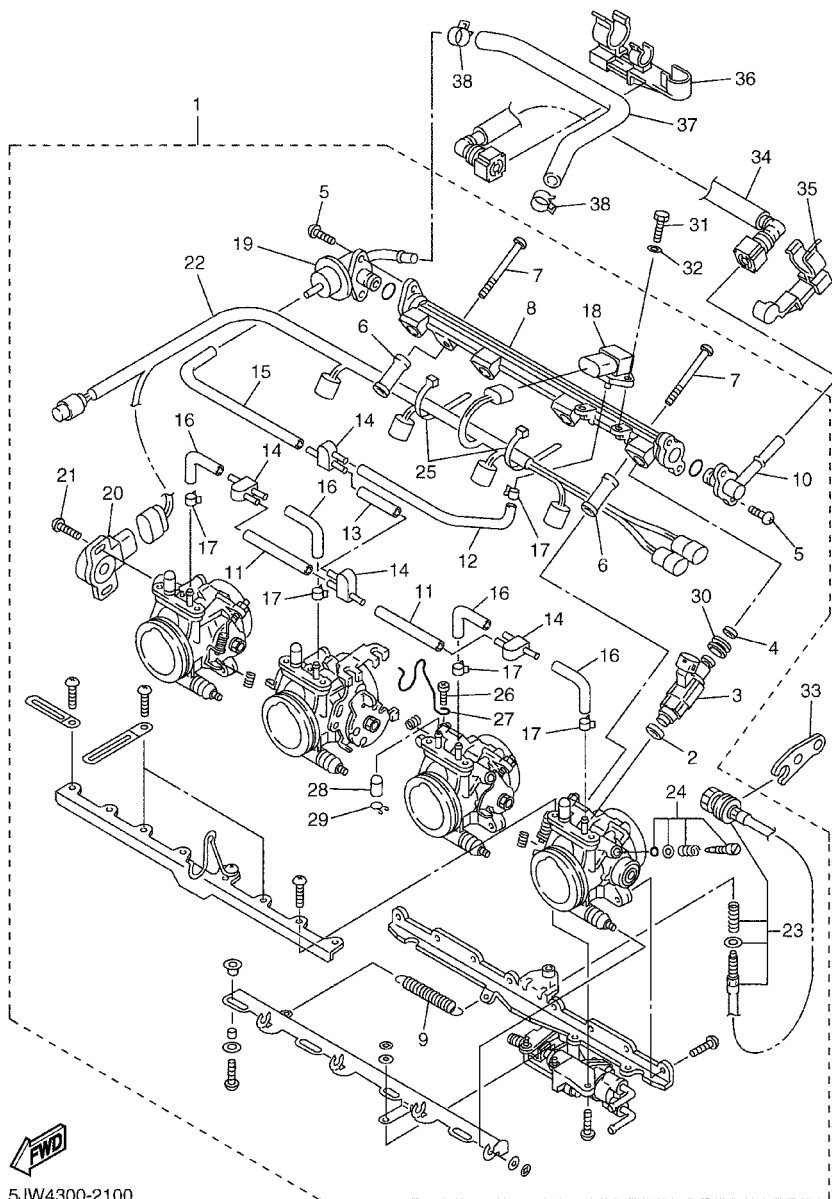
REF. NO.	PART NO.	DESCRIPTION	5JW4	5JW6			REMARKS
28	5JW-1442L-00	DAMPER 5	1	1			
29	5JW-11166-00	PIPE, BREATHER 1	1	1			
30	90467-14015	CLIP	2	2			
31	95807-06020	BOLT, FLANGE	2	2			
32	5JW-13597-00	JOINT, CARBURETOR 3	4	4			
33	90450-63001	HOSE CLAMP ASSY	8	8			

FIG. 10 INTAKE 2



5JW4300-2100

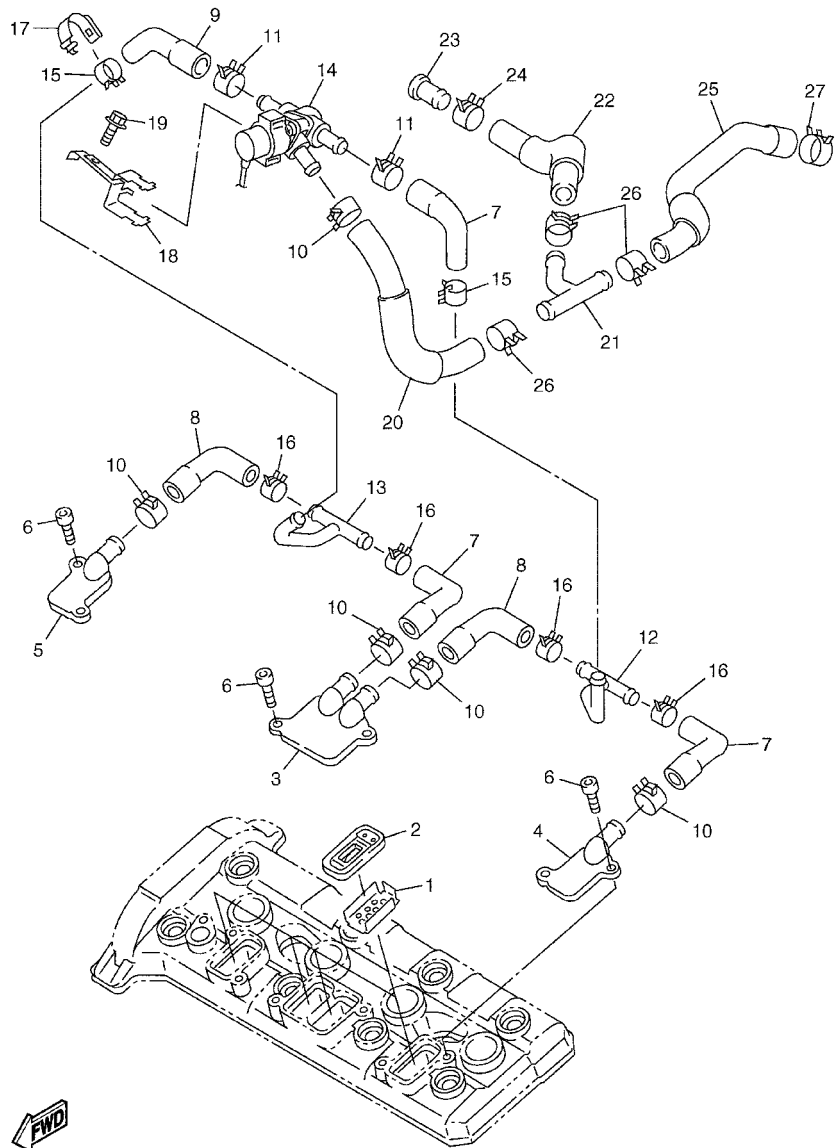
REF. NO.	PART NO.	DESCRIPTION	5JW4	5JW6	REMARKS
1	5JW-13750-02	THROTTLE BODY ASSY	1	1	
2	90430-09002	.GASKET	4	4	
3	5FL-13761-00	.INJECTOR ASSY	4	4	
4	5FL-14147-00	.O-RING	4	4	
5	98507-05012	.SCREW, PAN HEAD	4	4	
6	5JW-14148-00	.PIPE	2	2	
7	98507-06050	.SCREW, PAN HEAD	2	2	
8	5JW-13938-00	.PIPE	1	1	
9	5JW-14589-00	.SPRING	1	1	
10	5JW-12881-00	.PIPE, FUEL INJECTION 1	1	1	
11	5JW-14348-00	.PIPE 1	2	2	
12	5JW-14349-00	.PIPE	1	1	
13	5JW-14396-00	.PIPE	1	1	
14	3XV-14251-00	.NIPPLE	4	4	
15	5JW-14987-00	.HOSE	1	1	
16	5JW-24311-00	.PIPE, FUEL 1	4	4	
17	5DM-14919-00	.CLIP	5	5	
18	5JW-82380-00	.SENSOR, PRESSURE	1	1	
19	5JW-13906-00	.REGULATOR, PRESSURE	1	1	
20	5PS-85885-00	.THROTTLE POSITION SENSOR ASSY	1	1	
21	8CC-14216-10	.SCREW	2	2	
22	5JW-82509-00	.WIRE, SUB LEAD	1	1	
23	5JW-14103-00	.THROTTLE SCREW SET	1	1	
24	5JW-14104-00	.AIR SCREW SET	4	4	
25	4KM-14137-00	.CLIP	2	2	
26	98507-05006	.SCREW, PAN HEAD	1	1	
27	5JW-14139-00	.CLIP, PIPE	1	1	



5JW4300-2100

FIG. 10 INTAKE 2

REF. NO.	PART NO.	DESCRIPTION	5JW4	5JW6	REMARKS
28	895-14169-00	.CAP	4	4	
29	8A7-14139-00	.CLIP, PIPE	4	4	
30	5FL-13766-00	.RUBBER, INJECTOR	4	4	
31	97007-05016	BOLT	2	2	
32	92907-05600	WASHER, PLATE	2	2	
33	5EB-14413-00	STAY	1	1	
34	5JW-13971-00	PIPE, FUEL 1	1	1	
35	90464-16008	CLAMP	1	1	
36	90464-16005	CLAMP	1	1	
37	5JW-13972-00	PIPE, FUEL 2	1	1	
38	90467-12003	CLIP	2	2	

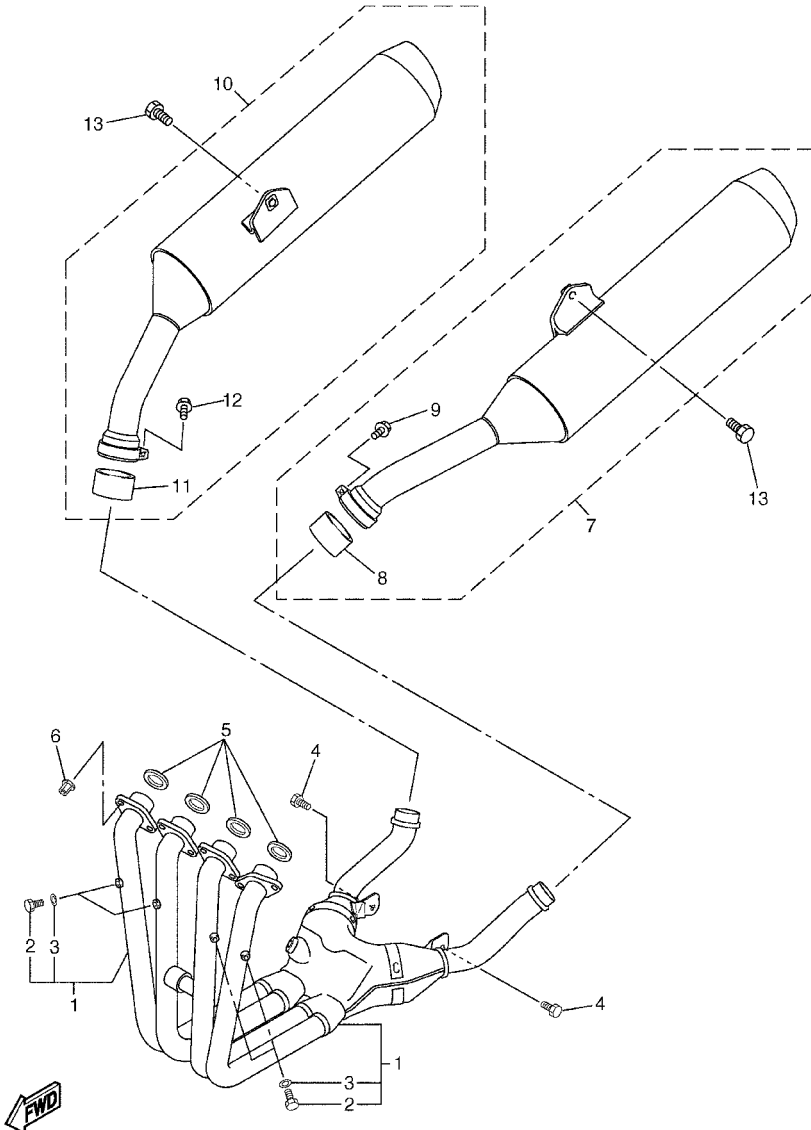


5JW4300-2110

FIG. 11 AIR INDUCTION SYSTEM

REF. NO.	PART NO.	DESCRIPTION	5JW4	5JW6	REMARKS
1	5JW-1482K-00	PLATE	4	4	
2	5JW-14890-00	REED VALVE ASS	4	4	
3	5JW-14899-00	CAP, CASE	1	1	
4	5JW-14858-00	CAP, CASE	1	1	
5	5JW-14889-00	CAP, CASE	1	1	
6	90110-06027	BOLT, HEXAGON SOCKET HEAD	6	6	
7	5JW-14881-00	HOSE, BEND 1	3	3	
8	5JW-14882-00	HOSE, BEND 2	2	2	
9	5JW-14883-00	HOSE, BEND 3	1	1	
10	90467-17003	CLIP	5	5	
11	90467-170A1	CLIP	2	2	
12	5JW-14871-00	PIPE 1	1	1	
13	5JW-14872-00	PIPE 2	1	1	
14	5JW-14840-00	AIR CUT VALVE ASS'Y	1	1	
15	90467-16009	CLIP	2	2	
16	90467-160A1	CLIP	4	4	
17	5JW-14723-00	COVER 1	1	1	
18	5JW-14834-00	STAY	1	1	
19	95827-06016	BOLT, FLANGE	1	1	
20	5JW-14884-00	HOSE, BEND 4	1	1	
21	5JW-14833-00	JOINT	1	1	
22	5JW-14873-00	PIPE 3	1	1	
23	5JW-14862-00	PLUG	1	1	
24	90467-17003	CLIP	1	1	
25	5JW-14885-00	HOSE, BEND 5	1	1	
26	90467-17003	CLIP	3	3	
27	90467-20050	CLIP	1	1	

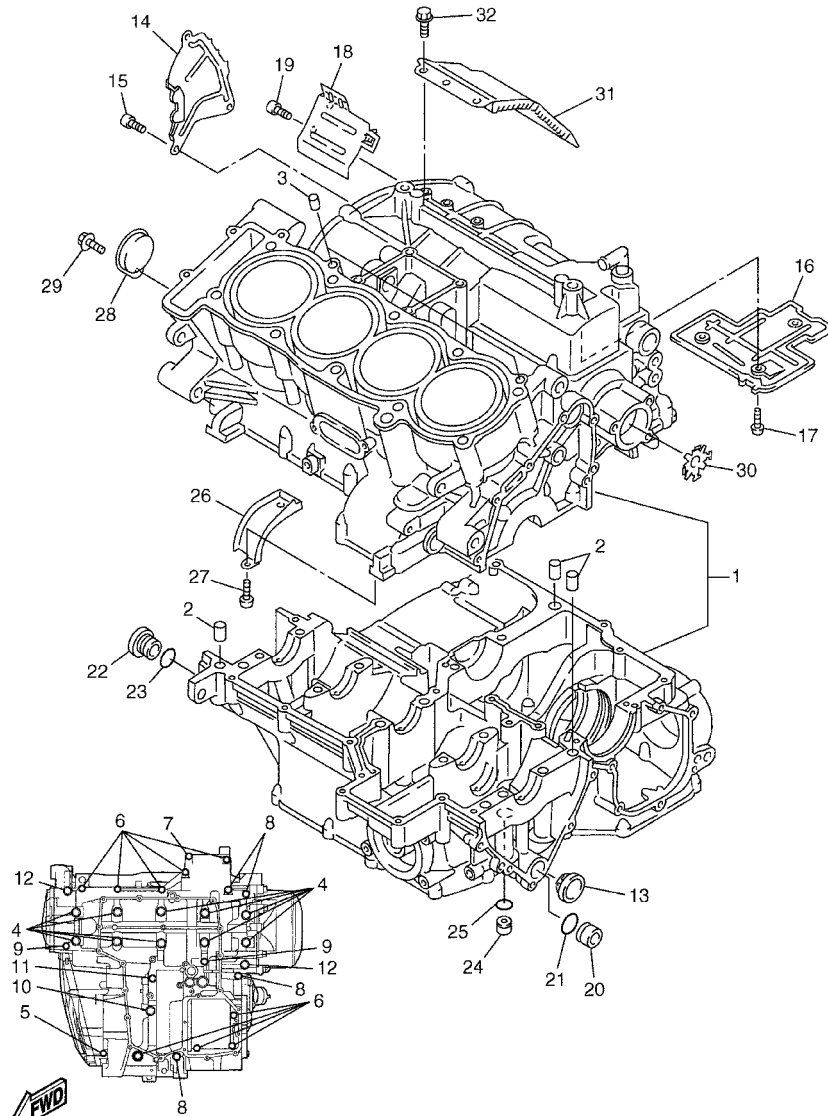
FIG. 12 EXHAUST



5JW1300-1120

REF. NO.	PART NO.	DESCRIPTION	5JW4	5JW6	REMARKS
1	5JW-14602-00	EXHAUST PIPE COMP.	1	1	
2	97080-06008	.BOLT	4	4	
3	92990-06600	.WASHER, PLATE	4	4	
4	90110-08068	BOLT, HEXAGON SOCKET HEAD	2	2	
5	4FM-14613-00	GASKET, EXHAUST PIPE	4	4	
6	90179-08673	NUT	8	8	
7	5JW-14710-01	MUFFLER ASSY 1	1	1	
8	3XW-14714-00	.GASKET, MUFFLER	1	1	
9	95814-08025	.BOLT, FLANGE	1	1	
10	5JW-14720-01	MUFFLER ASSY 2	1	1	
11	3XW-14714-00	.GASKET, MUFFLER	1	1	
12	95814-08025	.BOLT, FLANGE	1	1	
13	95814-10040	BOLT, FLANGE	2	2	

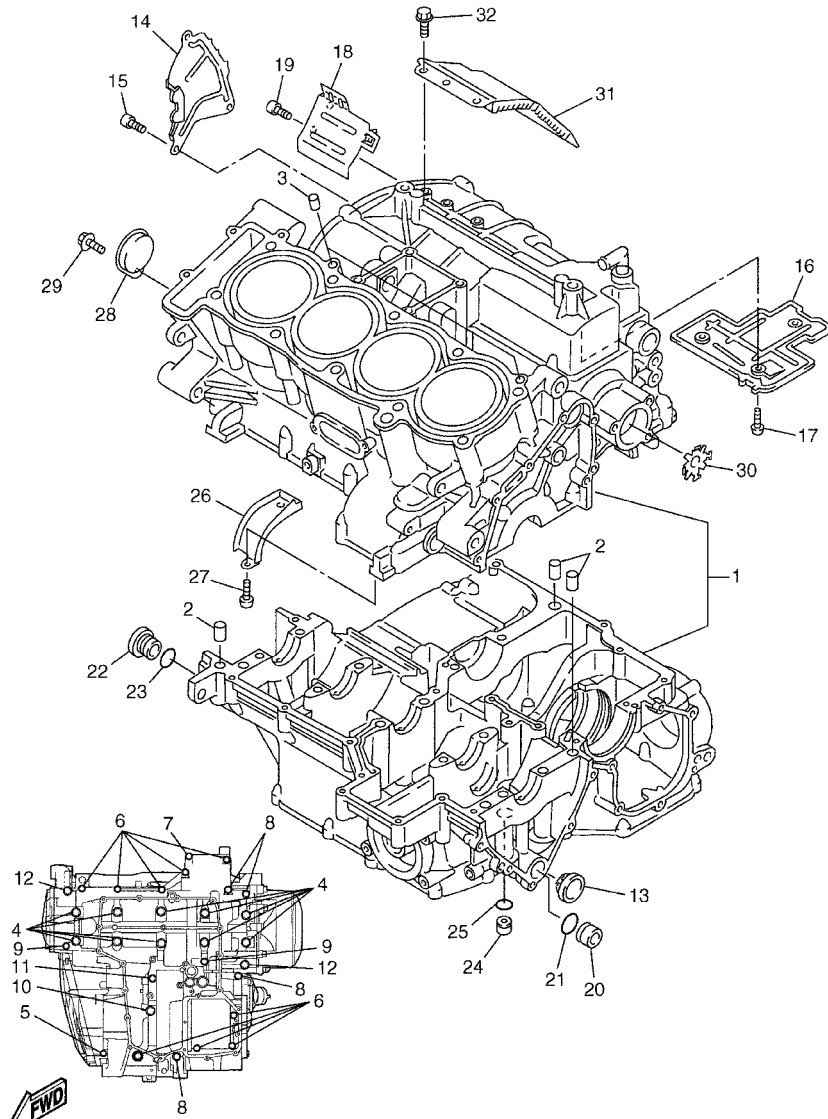
FIG. 13 CRANKCASE



5JW1300-1130

REF. NO.	PART NO.	DESCRIPTION	5JW4	5JW6	REMARKS
1	5JW-15100-01	CRANKCASE ASSY	1	1	
2	99530-10014	PIN, DOWEL	3	3	
3	99530-10114	PIN, DOWEL	2	2	
4	90119-09001	BOLT, WITH WASHER	10	10	
5	95817-06045	BOLT, FLANGE	1	1	
6	95817-06055	BOLT, FLANGE	9	9	
7	90105-06030	BOLT, FLANGE	1	1	
8	95817-06065	BOLT, FLANGE	4	4	
9	95817-06080	BOLT, FLANGE	2	2	
10	95817-08050	BOLT, FLANGE	1	1	
11	95817-08065	BOLT, FLANGE	1	1	
12	90109-065G3	BOLT	2	2	
13	2H7-15361-00	GAUGE, LEVEL	1	1	
14	5JW-11165-00	PLATE, BREATHER	1	1	
15	90110-06018	BOLT, HEXAGON SOCKET HEAD	3	3	
16	5JW-11145-00	PLATE, BREATHER 2	1	1	
17	90149-06018	SCREW	3	3	
18	5JW-15412-00	COVER, OIL PUMP	1	1	
19	90110-06018	BOLT, HEXAGON SOCKET HEAD	2	2	
20	90338-20263	PLUG	1	1	
21	93210-16314	O-RING	1	1	
22	4H7-15189-00	PLUG	1	1	
23	93210-207A0	O-RING	1	1	
24	90338-16262	PLUG	1	1	
25	93210-12790	O-RING	1	1	
26	5JW-15191-00	PLATE	1	1	
27	90149-06018	SCREW	2	2	

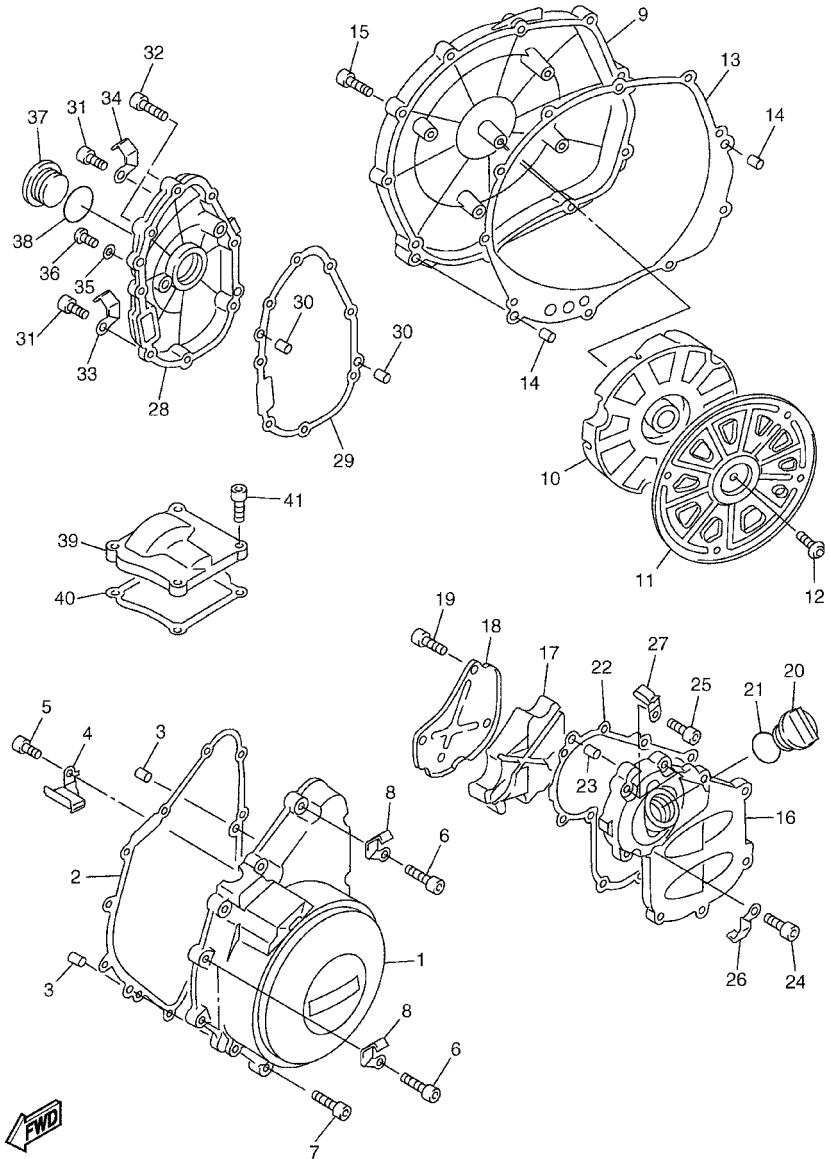
FIG. 13 CRANKCASE



5JW1300-1130

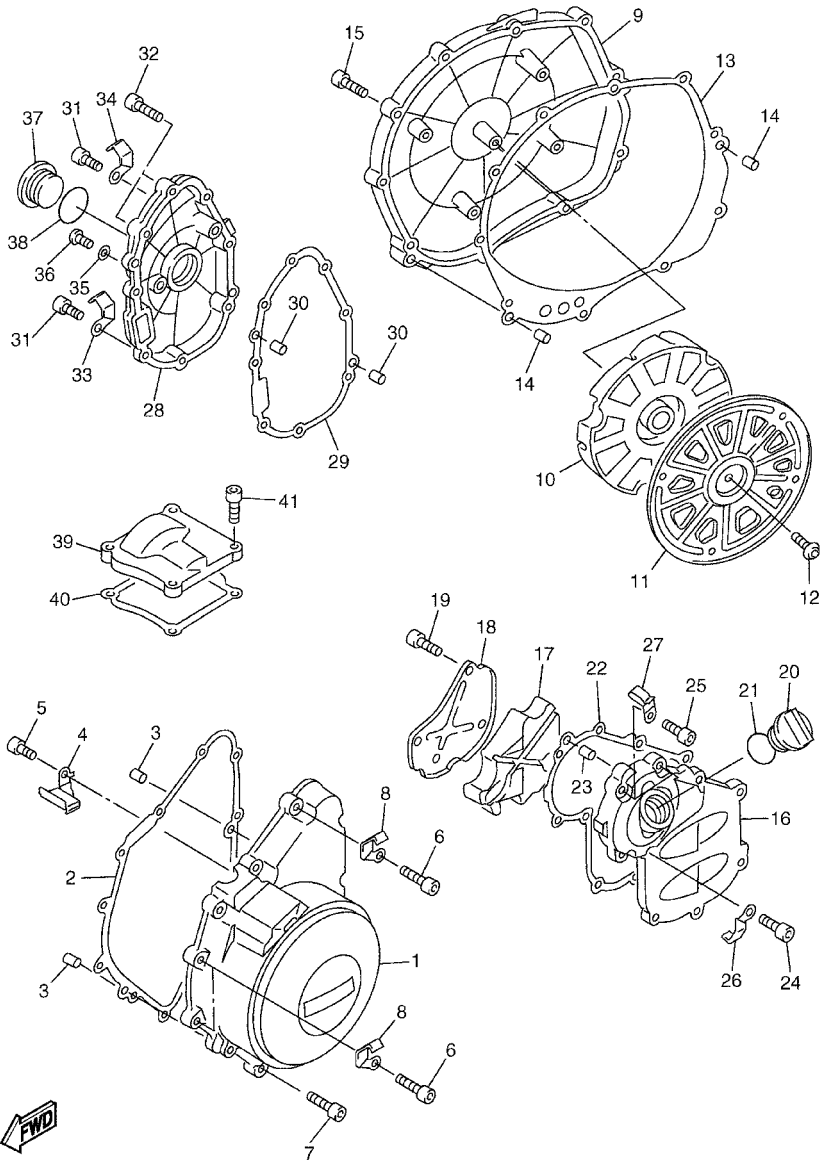
REF. NO.	PART NO.	DESCRIPTION	5JW4	5JW6	REMARKS
28	5JW-15189-00	PLUG	1	1	
29	90105-06020	BOLT, FLANGE	1	1	
30	5JW-15645-00	SHIM, KICK SHAFT	1	1	
31	5JW-15113-00	PLATE	1	1	
32	90105-06020	BOLT, FLANGE	3	3	

FIG. 14 CRANKCASE COVER 1



5JW1300-1140

REF. NO.	PART NO.	DESCRIPTION	5JW4	5JW6	REMARKS
1	5JW-15411-00	COVER, CRANKCASE 1	1	1	
2	5JW-15451-00	GASKET, CRANKCASE COVER 1	1	1	
3	99530-08012	PIN, DOWEL	2	2	
4	5JW-15484-00	CLAMP 2	1	1	
5	98507-06008	SCREW, PAN HEAD	1	1	
6	91314-06025	BOLT	10	10	
7	91314-06020	BOLT	1	1	
8	90462-08225	CLAMP	2	2	
9	5JW-15421-00	COVER, CRANKCASE 2	1	1	
10	5JW-15326-00	DAMPER, ENGINE MOUNT 2	1	1	
11	5JW-15492-00	COVER	1	1	
12	90149-06304	SCREW	5	5	
13	5JW-15461-00	GASKET, CRANKCASE COVER 2	1	1	
14	90250-08022	PIN, STRAIGHT	2	2	
15	90109-06031	BOLT	10	10	
16	5JW-15431-00	COVER, CRANKCASE 3	1	1	
17	5JW-15316-00	DAMPER, ENGINE MOUNT 1	1	1	
18	5JW-15414-00	COVER, AIR CLEANER	1	1	
19	90110-06018	BOLT, HEXAGON SOCKET HEAD	4	4	
20	3F9-15362-00	PLUG, OIL LEVEL	1	1	
21	93210-27194	O-RING	1	1	
22	5JW-15462-00	GASKET, CRANKCASE COVER 3	1	1	
23	99530-08012	PIN, DOWEL	2	2	
24	92014-06020	BOLT, BUTTON HEAD	7	7	
25	90111-06028	BOLT	2	2	
26	90462-08225	CLAMP	1	1	
27	90465-08122	CLAMP	1	1	

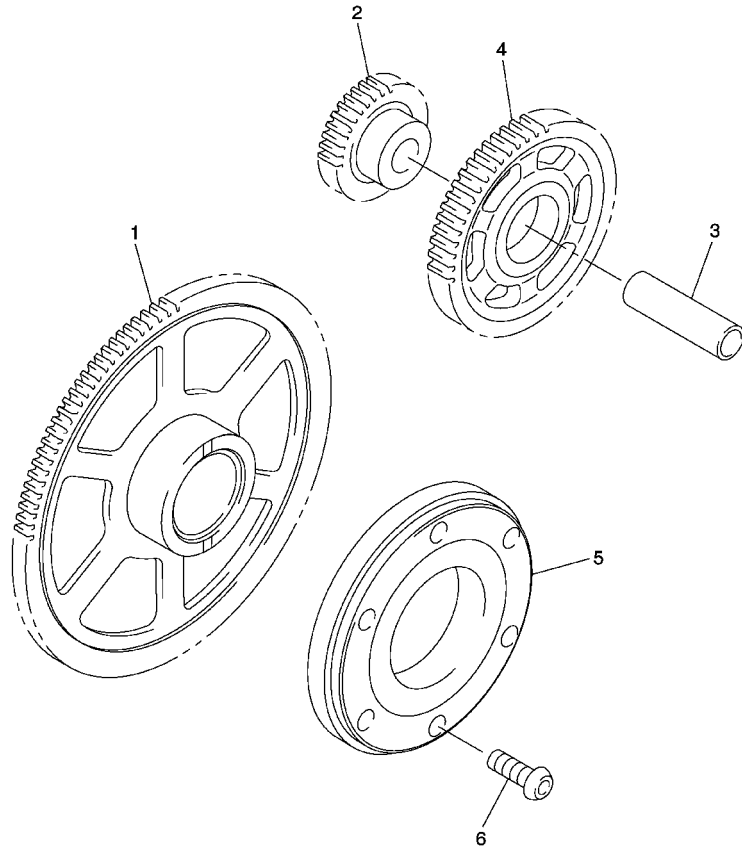


FWD
5JW1300-1140

FIG. 14 CRANKCASE COVER 1

REF. NO.	PART NO.	DESCRIPTION	5JW4	5JW6	REMARKS
28	5JW-15416-00	COVER, OIL PUMP	1	1	
29	5JW-15456-00	GASKET, OIL PUMP COVER 1	1	1	
30	99530-08012	PIN, DOWEL	2	2	
31	91314-06020	BOLT	6	6	
32	91314-06025	BOLT	2	2	
33	90462-08225	CLAMP	2	2	
34	90465-08031	CLAMP	1	1	
35	90430-08143	GASKET	1	1	
36	92014-08012	BOLT, BUTTON HEAD	1	1	
37	90340-32116	PLUG, STRAIGHT SCREW	1	1	
38	93210-32172	O-RING	1	1	
39	5JW-15425-00	COVER, GENERATOR 2	1	1	
40	5JW-15463-00	GASKET, CARBURETOR COVER 2	1	1	
41	91314-06020	BOLT	4	4	

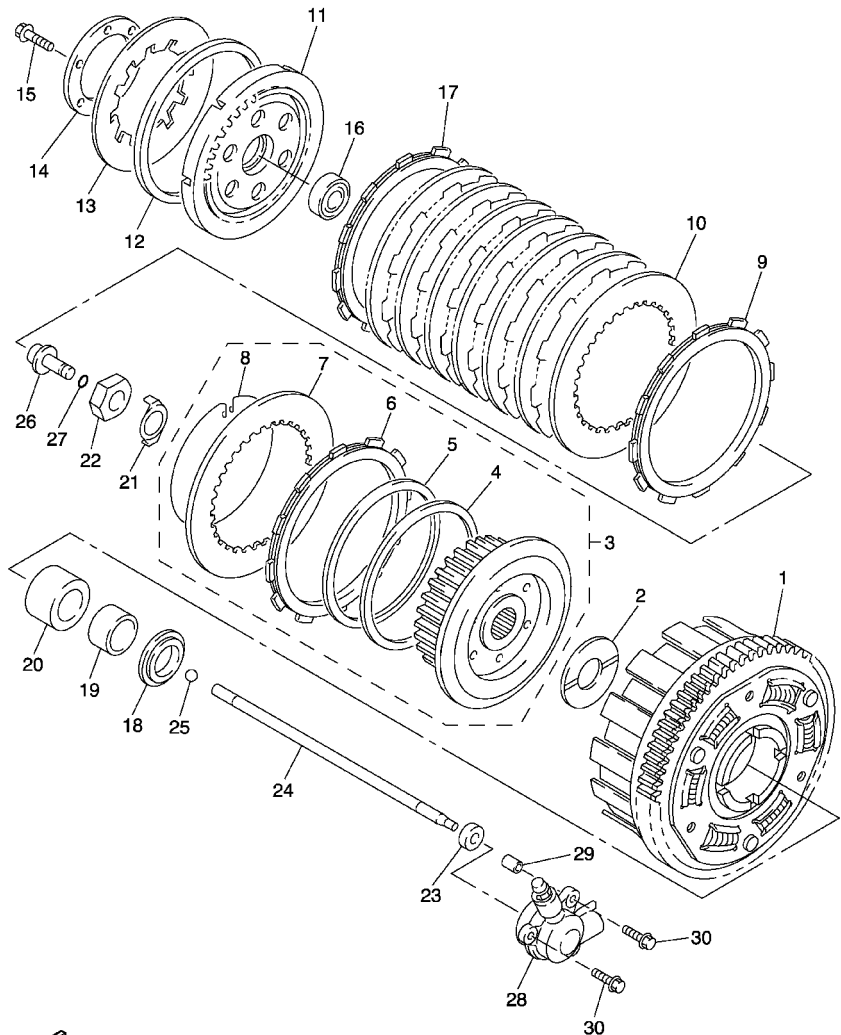
FIG. 15 STARTER



REF. NO.	PART NO.	DESCRIPTION	5JW4	5JW6	REMARKS
1	5JW-15515-00	GEAR 3	1	1	
2	5JW-15517-00	GEAR, IDLER 2	1	1	
3	36Y-15521-01	SHAFT 1	1	1	
4	5JW-15512-00	GEAR, IDLER 1	1	1	
5	4NK-15590-00	STARTER ONE-WAY ASSY	1	1	
6	90149-08003	SCREW	3	3	

 5JW1300-1150

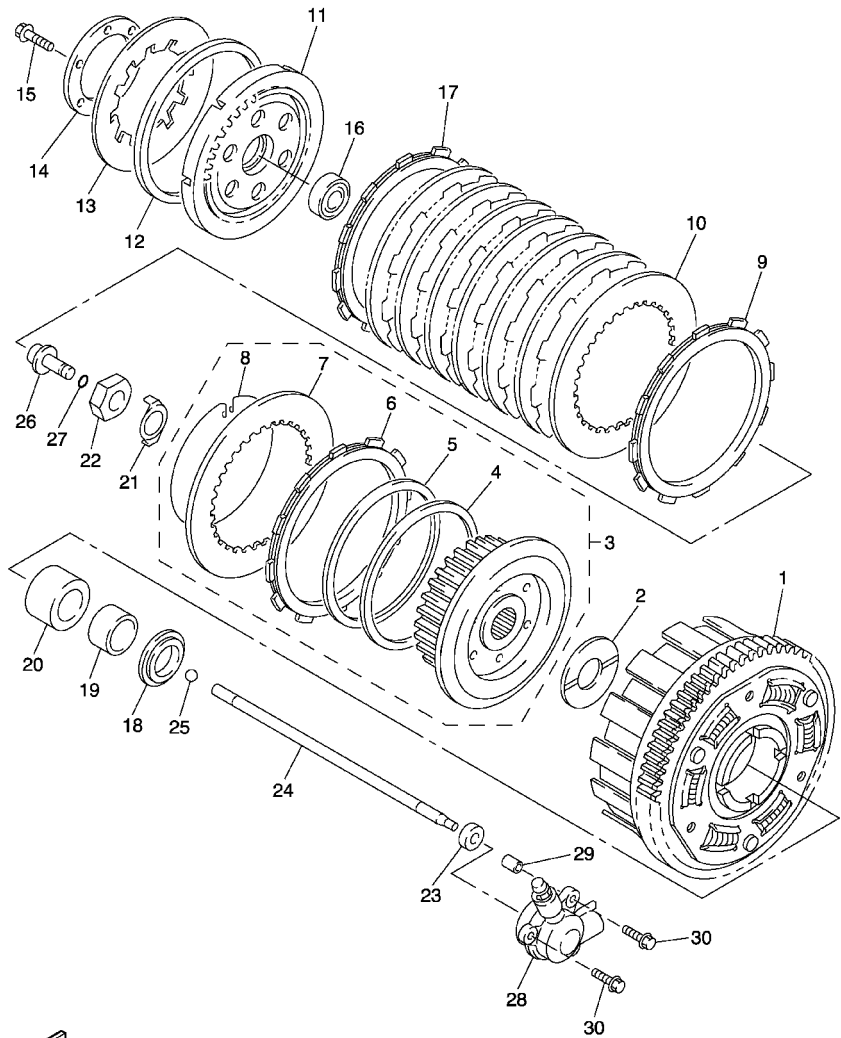
FIG. 16 CLUTCH



5JW1300-1160

REF. NO.	PART NO.	DESCRIPTION	5JW4	5JW6	REMARKS
1	5JW-16150-00	PRIMARY DRIVEN GEAR COMP.	1	1	
2	5JW-16154-00	PLATE, THRUST 1	1	1	
3	5JW-16370-00	CLUTCH BOSS ASSY	1	1	
4	36Y-16384-00	.PLATE, SEAT	1	1	
5	36Y-16383-00	.SPRING, CLUTCH BOSS	1	1	
6	4XV-16331-00	.PLATE, FRICTION 2	1	1	
7	2H7-16325-00	.PLATE, CLUTCH 2	1	1	
8	2H7-16385-00	.RING, CLUTCH BOSS	1	1	
9	5JW-16321-00	PLATE, FRICTION	7	7	
10	2H7-16325-00	PLATE, CLUTCH 2	7	7	
11	4XV-16351-00	PLATE, PRESSURE 1	1	1	
12	36Y-16335-00	HOUSING, SPRING	1	1	
13	5JW-16334-00	SPRING, CLUTCH 2	1	1	
14	1TX-16352-00	PLATE, PRESSURE 2	1	1	
15	95817-06025	BOLT, FLANGE	6	6	
16	93306-00304	BEARING (B6003C4)	1	1	
17	341-16321-13	PLATE, FRICTION	1	1	
18	5JW-16183-00	SPACER 3	1	1	
19	90387-28002	COLLAR	1	1	
20	5JW-16181-00	SPACER 1	1	1	
21	90215-25218	WASHER, LOCK	1	1	
22	90170-20323	NUT	1	1	
23	93109-08061	OIL SEAL	1	1	
24	5JW-16357-00	ROD, PUSH 2	1	1	
25	93511-32017	BALL	1	1	
26	4KG-16356-00	ROD, PUSH 1	1	1	
27	93210-06422	O-RING	1	1	

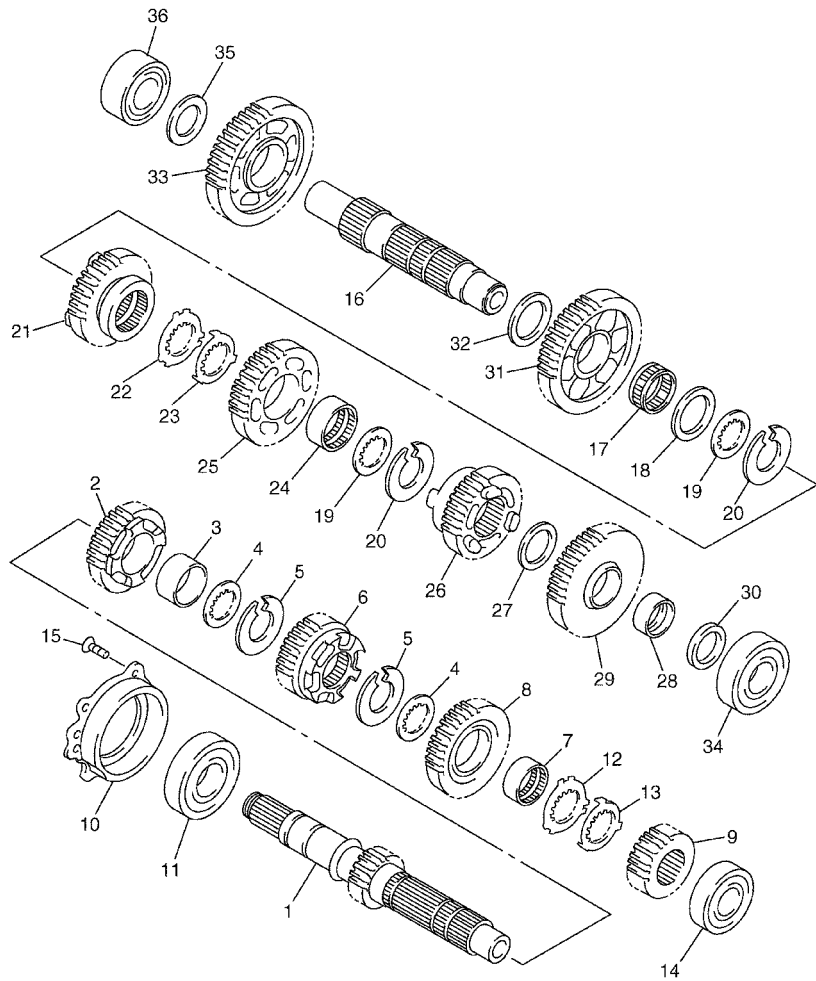
FIG. 16 CLUTCH



REF. NO.	PART NO.	DESCRIPTION	5JW4	5JW6				REMARKS
28	5JW-16381-00	PUSH LEVER COMP.	1	1				
29	99530-08012	PIN, DOWEL	2	2				
30	95024-06025	BOLT, FLANGE	3	3				


5JW1300-1160

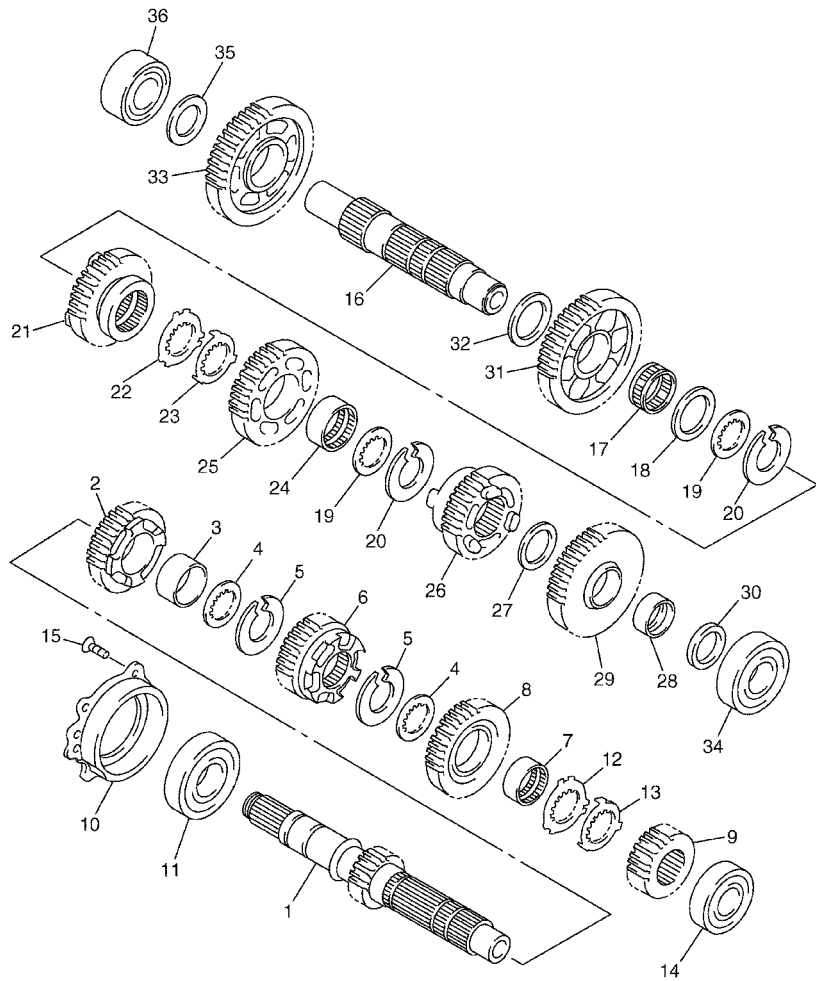
FIG. 17 TRANSMISSION



5JW1300-1170

REF. NO.	PART NO.	DESCRIPTION	5JW4	5JW6	REMARKS
1	5JW-17411-00	AXLE, MAIN (17T)	1	1	
2	5JW-17141-00	GEAR, 4TH PINION (26T)	1	1	
3	90387-32001	COLLAR	1	1	
4	90209-28331	WASHER	2	2	
5	93440-31172	CIRCLIP	2	2	
6	5JW-17131-00	GEAR, 3RD PINION (23T)	1	1	
7	90387-2802W	COLLAR	1	1	
8	5JW-17151-00	GEAR, 5TH PINION (28T)	1	1	
9	5JW-17121-00	GEAR, 2ND PINION (22T)	1	1	
10	5JW-15163-00	HOUSING, BEARING 1	1	1	
11	93306-37810	BEARING	1	1	
12	90209-29329	WASHER	1	1	
13	90209-28330	WASHER	1	1	
14	93306-37209	BEARING	1	1	
15	90149-06286	SCREW	3	3	
16	5JW-17402-00	DRIVE AXLE ASSY	1	1	
17	93310-33306	BEARING	1	1	
18	90201-33008	WASHER, PLATE	1	1	
19	90209-30344	WASHER	2	2	
20	93440-32063	CIRCLIP	2	2	
21	5JW-17241-00	GEAR, 4TH WHEEL (28T)	1	1	
22	90209-30345	WASHER	1	1	
23	90209-30343	WASHER	1	1	
24	90387-3310V	COLLAR	1	1	
25	5JW-17231-00	GEAR, 3RD WHEEL (31T)	1	1	
26	5JW-17251-00	GEAR, 5TH WHEEL (26T)	1	1	
27	90201-286K9	WASHER, PLATE	1	1	

FIG. 17 TRANSMISSION



REF. NO.	PART NO.	DESCRIPTION	5JW4	5JW6	REMARKS
28	90387-281T8	COLLAR	1	1	
29	5JW-17221-00	GEAR, 2ND WHEEL (39T)	1	1	
30	90201-25013	WASHER, PLATE	1	1	
31	5JW-17211-00	GEAR, 1ST WHEEL (43T)	1	1	
32	90201-33013	WASHER, PLATE	1	1	
33	5JW-17582-00	GEAR, MIDDLE DRIVE (36T)	1	1	
34	93306-30557	BEARING	1	1	
35	90201-25008	WASHER, PLATE	1	1	
36	93304-20508	BEARING	1	1	


5JW1300-1170



5JW1300-1180

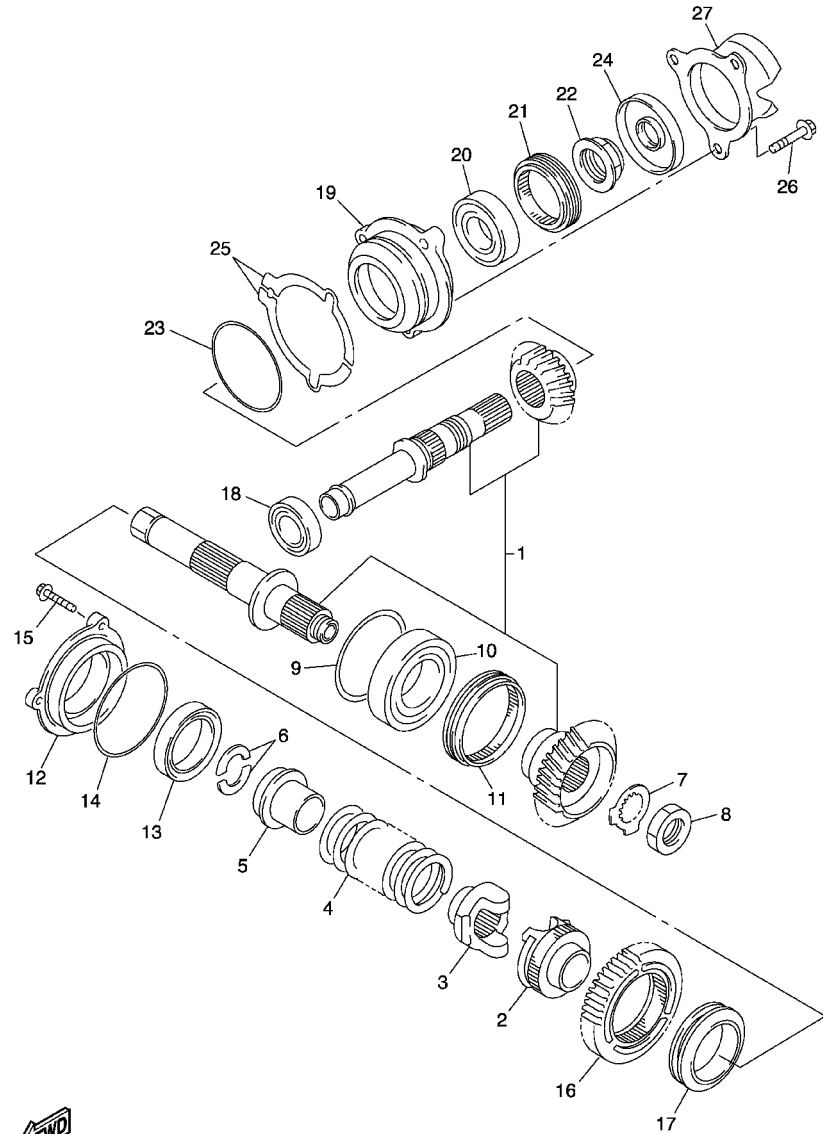
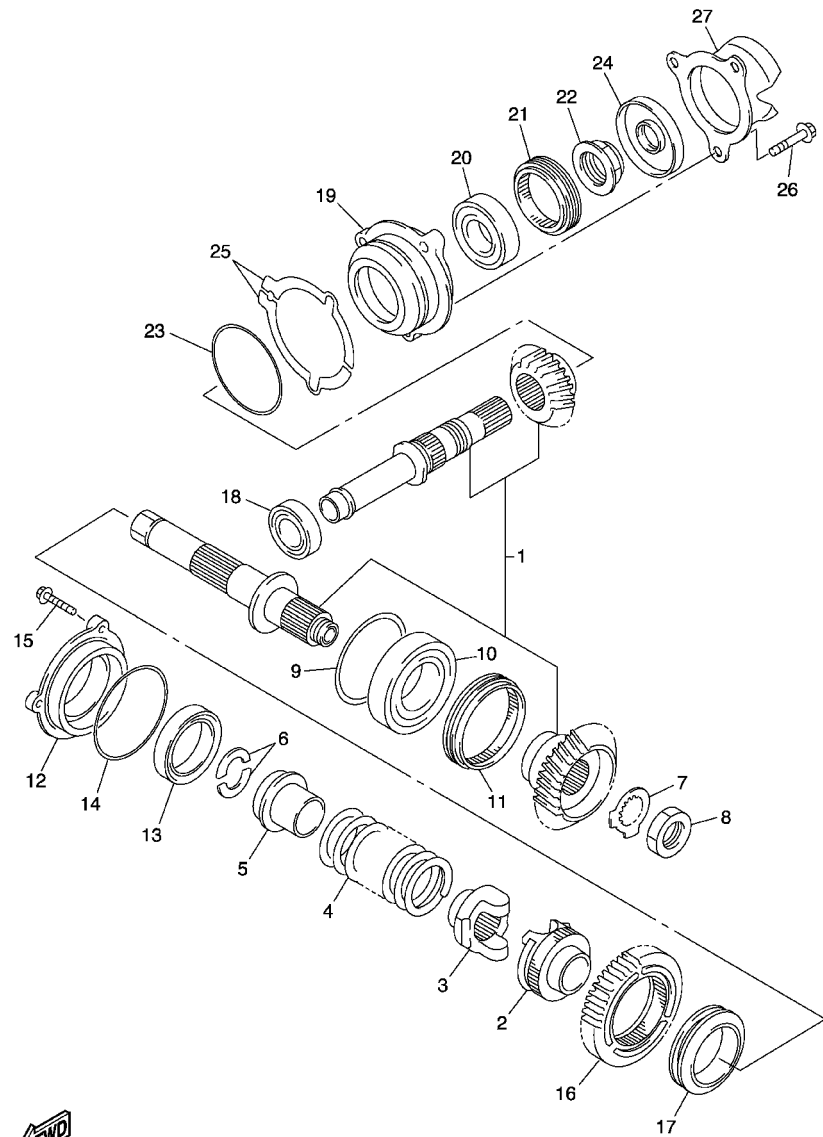


FIG. 18 MIDDLE DRIVE GEAR

REF. NO.	PART NO.	DESCRIPTION	5JW4	5JW6	REMARKS
1	5JW-W1751-00	MIDDLE GEAR COMP.	1	1	
2	5JW-17526-00	CAM, DRIVE	1	1	
3	5JW-17527-00	CAM, DRIVEN	1	1	
4	90501-75638	SPRING, COMPRESSION	1	1	
5	5JW-17524-00	HOLDER	1	1	
6	90209-21281	WASHER	2	2	
7	90215-27003	WASHER, LOCK	1	1	
8	90179-22002	NUT	1	1	
9	4X7-17531-00-15	SHIM, PINION (0.15T)	1	1	UR
	4X7-17531-00-30	SHIM, PINION (0.30T)	1	1	UR
	4X7-17531-00-50	SHIM, PINION (0.50T)	1	1	UR
10	93306-20901	BEARING (B6209RSH2-C2)	1	1	
11	90179-88336	NUT	1	1	
12	5JW-17521-00	HOUSING, BEARING	1	1	
13	93306-90901	BEARING	1	1	
14	93210-84724	O-RING	1	1	
15	90109-06015	BOLT	3	3	
16	5JW-17583-00	GEAR, MIDDLE DRIVEN (35T)	1	1	
17	90387-53001	COLLAR	1	1	
18	93306-00519	BEARING	1	1	
19	5JW-17551-00	HOUSING, BEARING	1	1	
20	93306-20636	BEARING	1	1	
21	90179-68001	NUT	1	1	
22	90179-28001	NUT	1	1	
23	93210-76546	O-RING	1	1	
24	93102-25004	OIL SEAL	1	1	
25	5JW-17531-00	SHIM, PINION (0.10T)	2	2	UR

D2

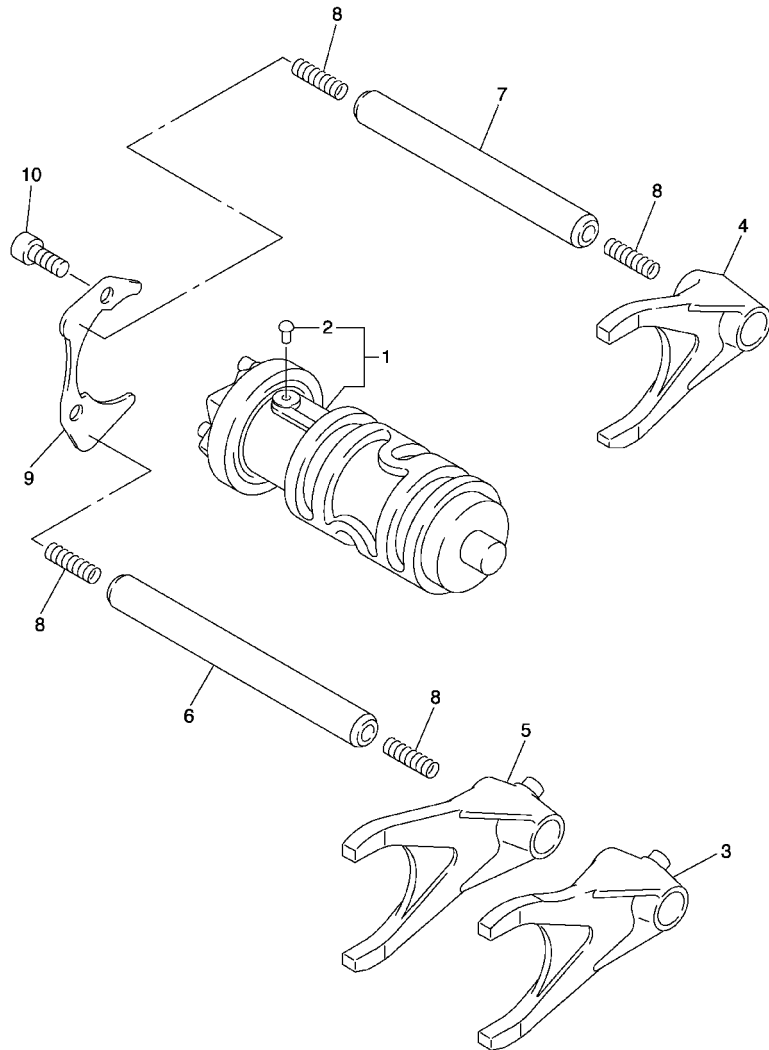


5JW1300-1180

FIG. 18 MIDDLE DRIVE GEAR

REF. NO.	PART NO.	DESCRIPTION	5JW4	5JW6	REMARKS
25	5JW-17531-10	SHIM, PINION (0.15T)	2	2	UR
	5JW-17531-20	SHIM, PINION (0.20T)	2	2	UR
	5JW-17531-30	SHIM, PINION (0.30T)	2	2	UR
	5JW-17531-40	SHIM, PINION (0.40T)	2	2	UR
	5JW-17531-50	SHIM, PINION (0.50T)	2	2	UR
26	90105-08038	BOLT, FLANGE	3	3	
27	5JW-17538-00	CAP, HOUSING	1	1	

FIG. 19 SHIFT CAM. FORK

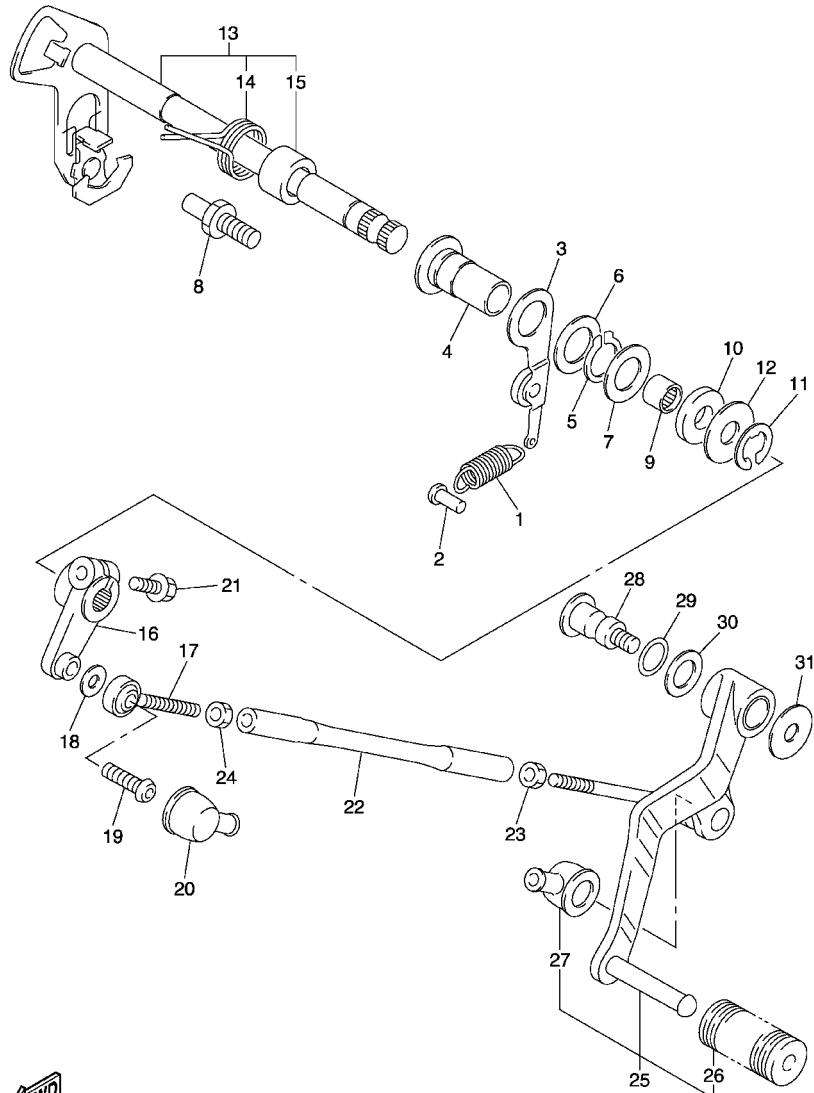


REF. NO.	PART NO.	DESCRIPTION			REMARKS
			5JW4	5JW6	
1	5JW-18540-00	SHIFT CAM ASSY	1	1	
2	136-18542-00	.POINT, NEUTRAL	1	1	
3	5JW-18511-00	FORK, SHIFT 1	1	1	
4	5JW-18512-00	FORK, SHIFT 2	1	1	
5	5JW-18513-00	FORK, SHIFT 3	1	1	
6	4XV-18531-00	BAR, SHIFT FORK GUIDE 1	1	1	
7	5JW-18535-00	BAR, SHIFT FORK GUIDE 2	1	1	
8	90501-064L1	SPRING, COMPRESSION	4	4	
9	5JW-18536-00	STOPPER, SHIFT BAR	1	1	
10	90110-06226	BOLT, HEXAGON SOCKET HEAD	2	2	



5JW1300-1190

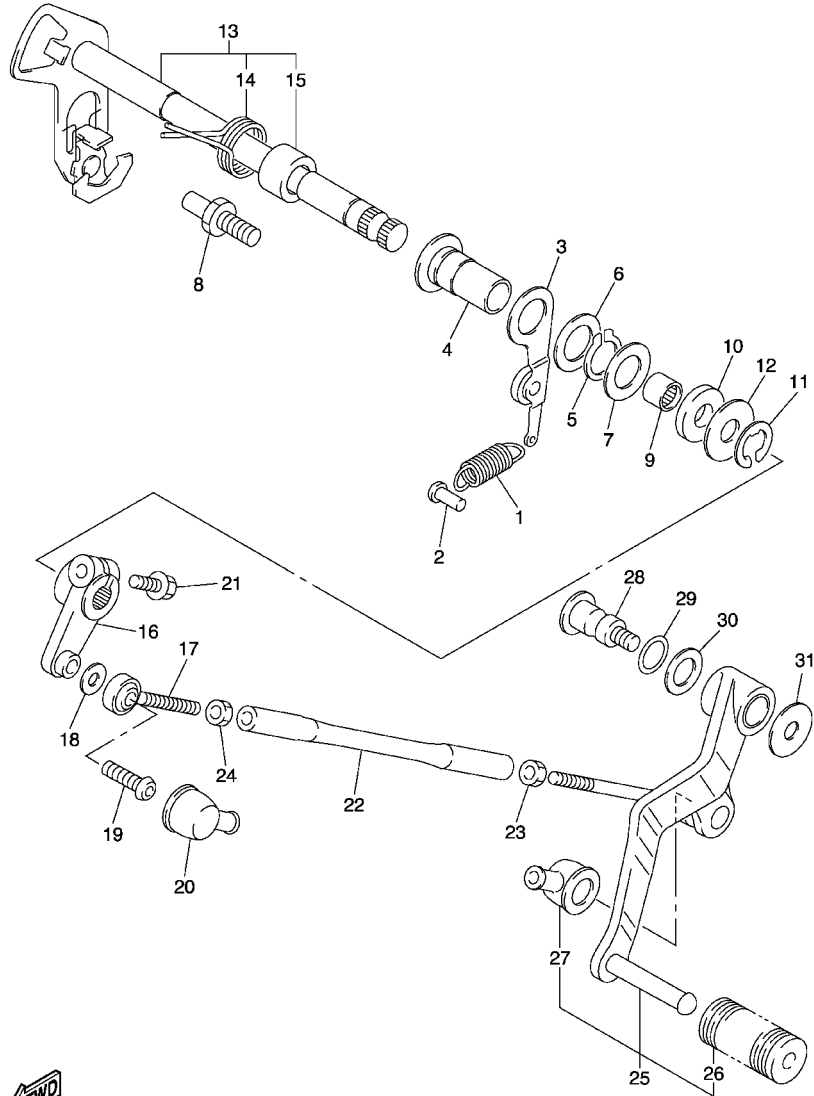
FIG. 20 SHIFT SHAFT



5JW1300-1200

REF. NO.	PART NO.	DESCRIPTION	5JW4	5JW6	REMARKS
1	5JW-18144-00	HANGER, SPRING	1	1	
2	132-16346-00	HOOK, SPRING	1	1	
3	5JW-18140-00	STOPPER LEVER ASSY	1	1	
4	90387-127V3	COLLAR	1	1	
5	99009-17400	CIRCLIP	1	1	
6	90201-177G4	WASHER, PLATE	1	1	
7	90201-154E8	WASHER, PLATE (T=1.0)	1	1	
8	4XV-18127-00	STOPPER, SCREW	1	1	
9	93315-11206	BEARING	1	1	
10	93101-12004	OIL SEAL	1	1	
11	99001-10600	CIRCLIP	1	1	
12	90201-12575	WASHER, PLATE	1	1	
13	5JW-18101-00	SHIFT SHAFT ASSY	1	1	
14	90508-29012	.SPRING, TORSION	1	1	
15	90387-1211D	.COLLAR	1	1	
16	5JW-18112-00	ARM, SHIFT	1	1	
17	5LV-18116-00	JOINT, ROD 1	1	1	
18	90201-062P7	WASHER, PLATE	1	1	
19	90111-06019	BOLT	1	1	
20	4XV-18154-00	COVER, DUST	1	1	
21	95824-06020	BOLT, FLANGE	1	1	
22	5JW-18115-00	ROD, SHIFT	1	1	
23	90170-06228	NUT(COUNTER CLOCKWISE)	1	1	
24	95304-06700	NUT	1	1	
25	5JW-18110-00	SHIFT PEDAL ASSY	1	1	
26	5EB-18113-00	.COVER, SHIFT PEDAL	1	1	
27	5JW-18154-00	.COVER, DUST	1	1	

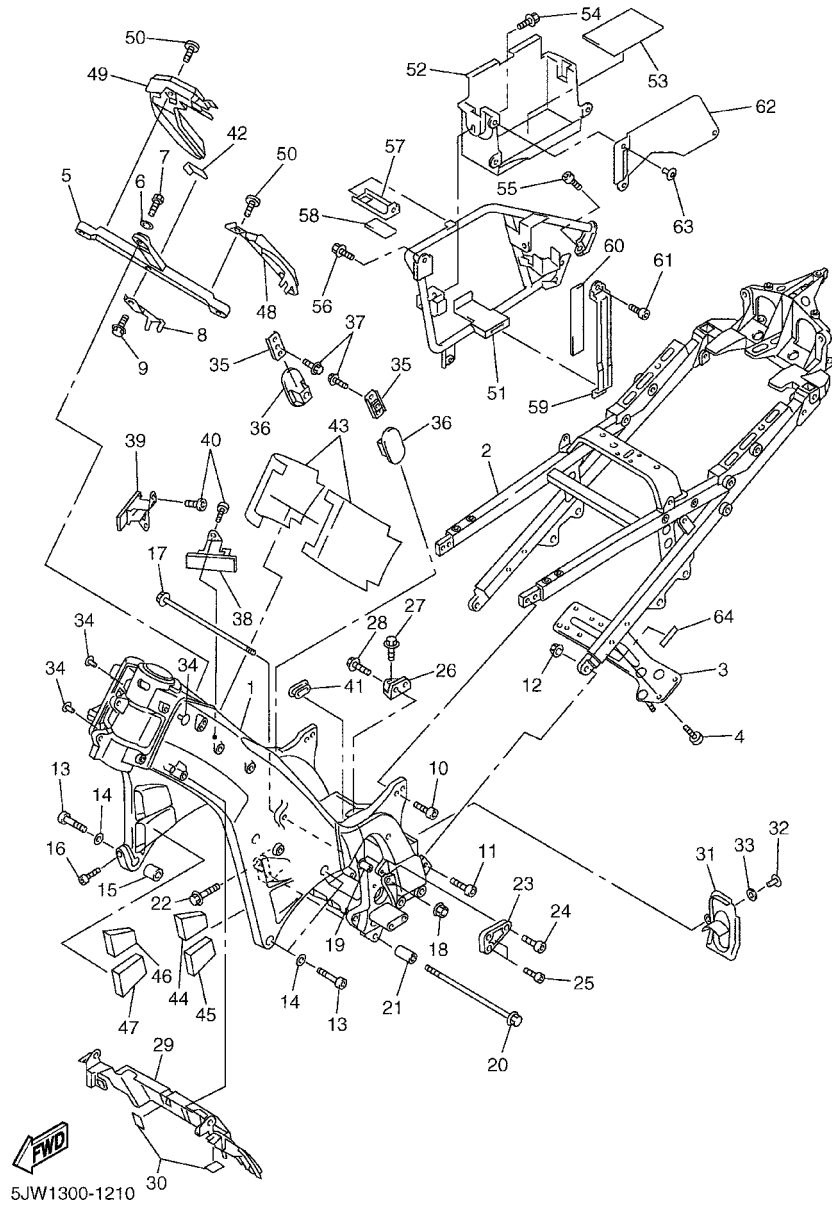
FIG. 20 SHIFT SHAFT



5JW1300-1200

REF. NO.	PART NO.	DESCRIPTION	5JW4	5JW6	REMARKS
28	5JW-27434-00	BOLT	1	1	
29	90206-12074	WASHER, WAVE	1	1	
30	90201-12013	WASHER, PLATE	1	1	
31	90201-080H1	WASHER, PLATE	1	1	

FIG. 21 FRAME



REF. NO.	PART NO.	DESCRIPTION	5JW4	5JW6	REMARKS
1	5JW-21110-02	FRAME COMP.	1	1	
2	5JW-21190-00	REAR FRAME COMP.	1	1	
3	5JW-2115A-00	MEMBER 1	1	1	
4	90149-06022	SCREW	4	4	
5	5JW-21119-00	CROSS-TUBE	1	1	
6	90201-100L3	WASHER, PLATE	3	3	
7	95817-10030	BOLT, FLANGE	3	3	
8	5JW-21339-00	GUIDE, WIRE	1	1	
9	95027-06012	BOLT, FLANGE	1	1	
10	90110-08212	BOLT, HEXAGON SOCKET HEAD	4	4	
11	91314-10030	BOLT	2	2	
12	95607-10200	NUT, SELF-LOCKING	2	2	
13	91314-12055	BOLT	4	4	
14	92907-12600	WASHER	4	4	
15	90387-1312P	COLLAR	2	2	
16	91314-08030	BOLT	2	2	
17	90105-10416	BOLT, FLANGE	1	1	
18	90179-10696	NUT	1	1	
19	5EB-21495-00	BOLT, ENGINE ADJUSTING	1	1	
20	90105-10730	BOLT, FLANGE	1	1	
21	90560-10364	SPACER	1	1	
22	95027-08035	BOLT, FLANGE	2	2	
23	5JW-21315-00	STAY, ENGINE 2	1	1	
24	91314-10020	BOLT	1	1	
25	91314-08016	BOLT	2	2	
26	5JW-21316-00	STAY, ENGINE 3	2	2	
27	90101-10M05	BOLT	2	2	

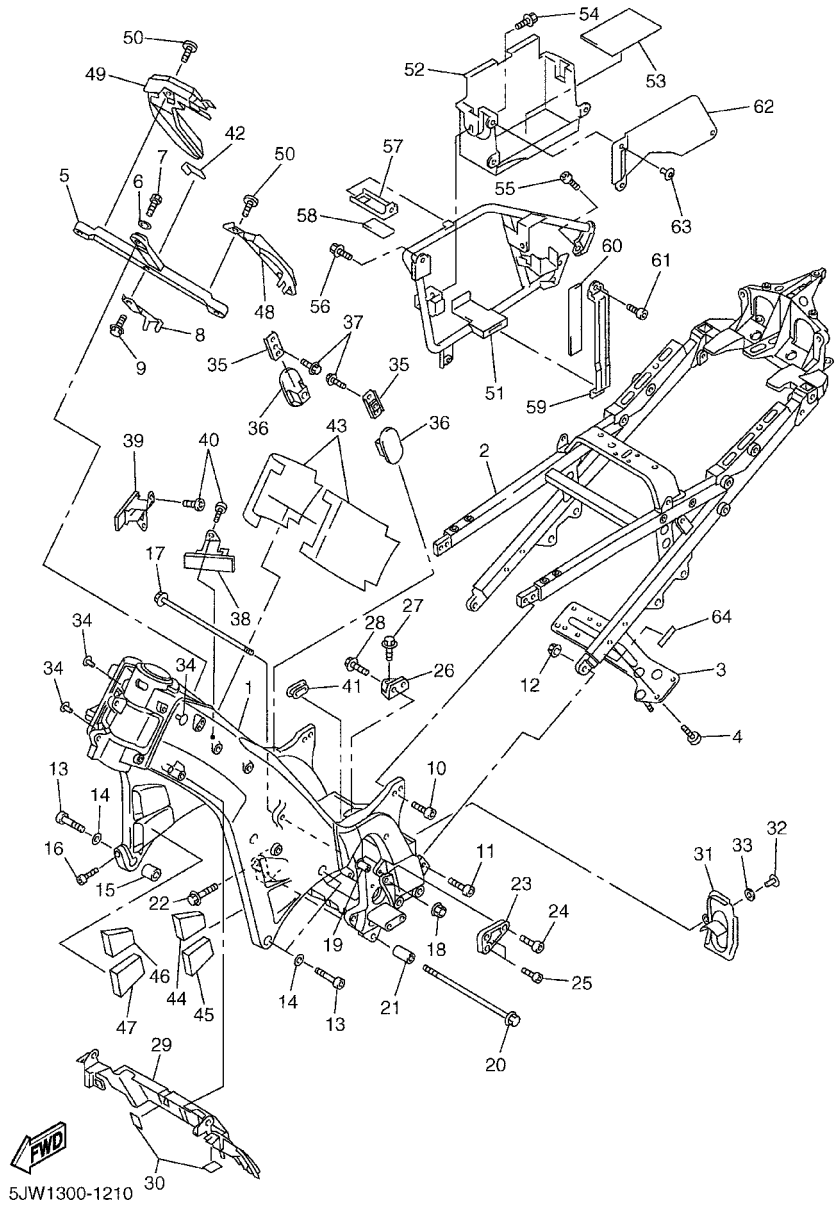


FIG. 21 FRAME

REF. NO.	PART NO.	DESCRIPTION	5JW4	5JW6	REMARKS
28	90105-08307	BOLT, FLANGE	4	4	
29	5JW-2137Y-01	GUIDE, AIR	1	1	
30	5JW-2139X-00	DAMPER	4	4	
31	5JW-2147J-00	COVER, SHAFT 1	1	1	
32	90269-07076	RIVET	1	1	
33	90202-06058	WASHER, PLATE	1	1	
34	90338-06143	PLUG	3	3	
35	5JW-2118U-00	BRACKET 3	2	2	
36	5JW-2113N-00	BRACKET, INNER 1	2	2	
37	95027-06012	BOLT, FLANGE	2	2	
38	5JW-2113R-00	BRACKET, INNER 2	1	1	
39	5JW-2113R-10	BRACKET, INNER 2	1	1	
40	90149-06304	SCREW	4	4	
41	5JW-2143A-00	CAP	1	1	
42	5JW-2139X-00	DAMPER	1	1	
43	5JW-21852-00	DAMPER	2	2	
44	5JW-21266-00	SHEET 1	1	1	
45	5JW-21266-10	SHEET 1	1	1	
46	5JW-21267-00	SHEET 2	1	1	
47	5JW-21267-10	SHEET 2	1	1	
48	5JW-2117F-00	COVER	1	1	
49	5JW-2117M-00	COVER 2	1	1	
50	90109-065F3	BOLT	2	2	
51	5JW-28321-00	STAY 1	1	1	
52	5JW-2177G-00	BOX, BATTERY	1	1	
53	5EJ-2414H-00	DAMPÉR, PLATE 1	1	1	
54	90119-06205	BOLT, WITH WASHER	2	2	

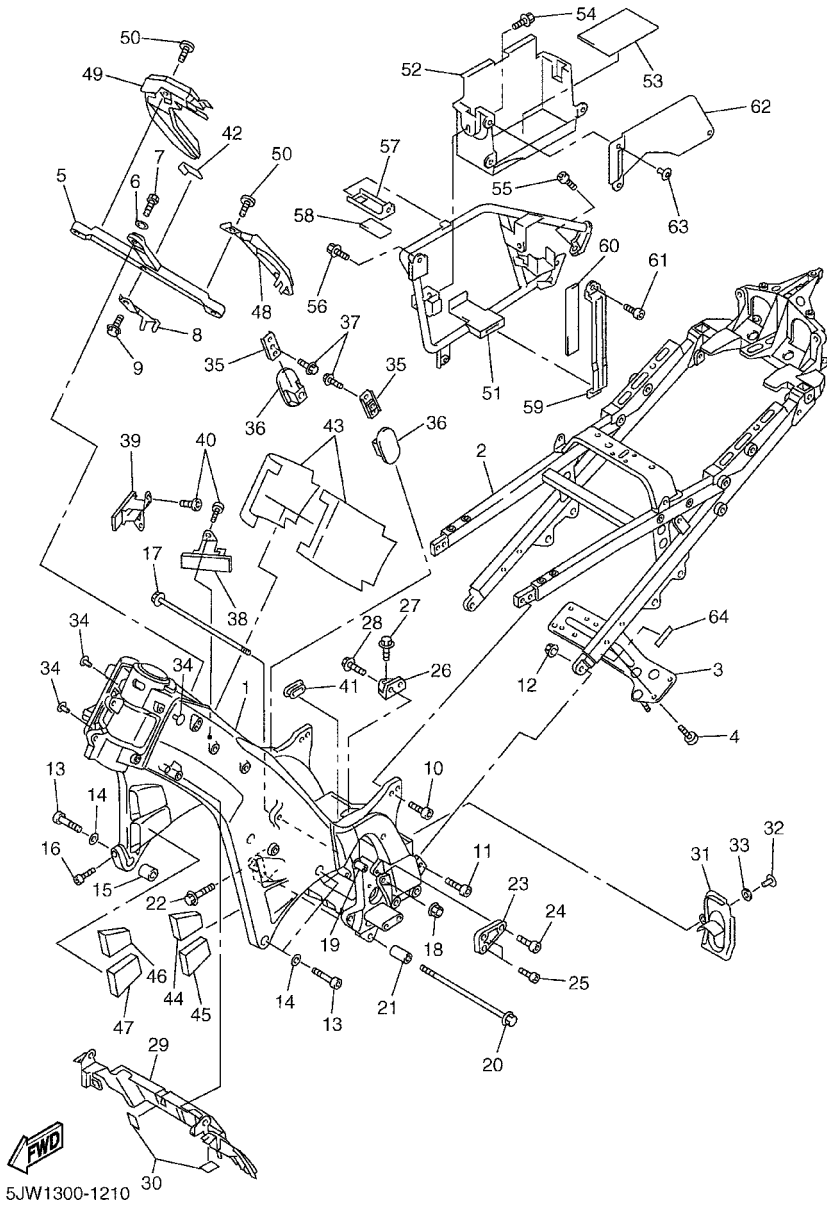
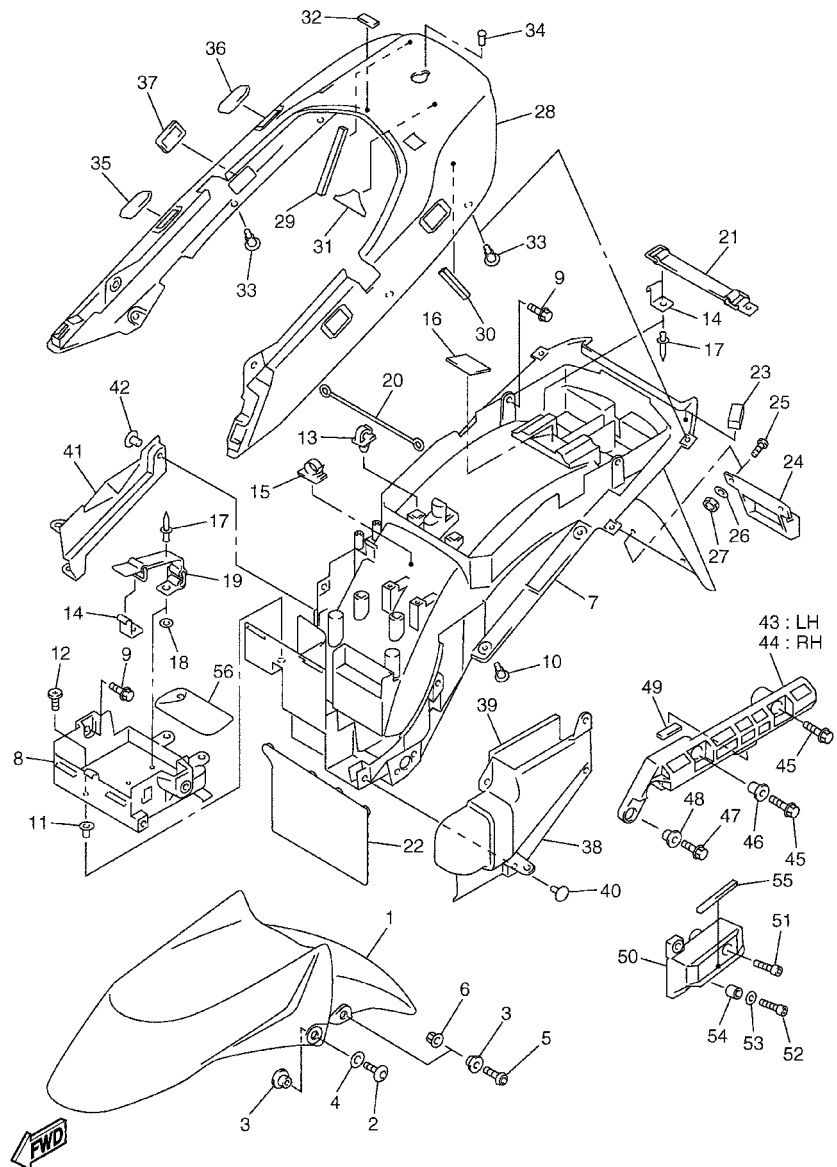


FIG. 21 FRAME

REF. NO.	PART NO.	DESCRIPTION	5JW4	5JW6	REMARKS
55	91317-06012	BOLT	3	3	
56	95827-06016	BOLT, FLANGE	1	1	
57	5JW-28357-00	STAY 2	1	1	
58	5JW-28425-00	DAMPER 3	1	1	
59	5JW-28358-00	STAY 3	1	1	
60	5JW-28435-00	DAMPER 4	1	1	
61	91317-06012	BOLT	1	1	
62	5JW-2172W-00	COVER	1	1	
63	90269-06001	RIVET	3	3	
64	5JW-2151A-02	LABEL 1	1	1	

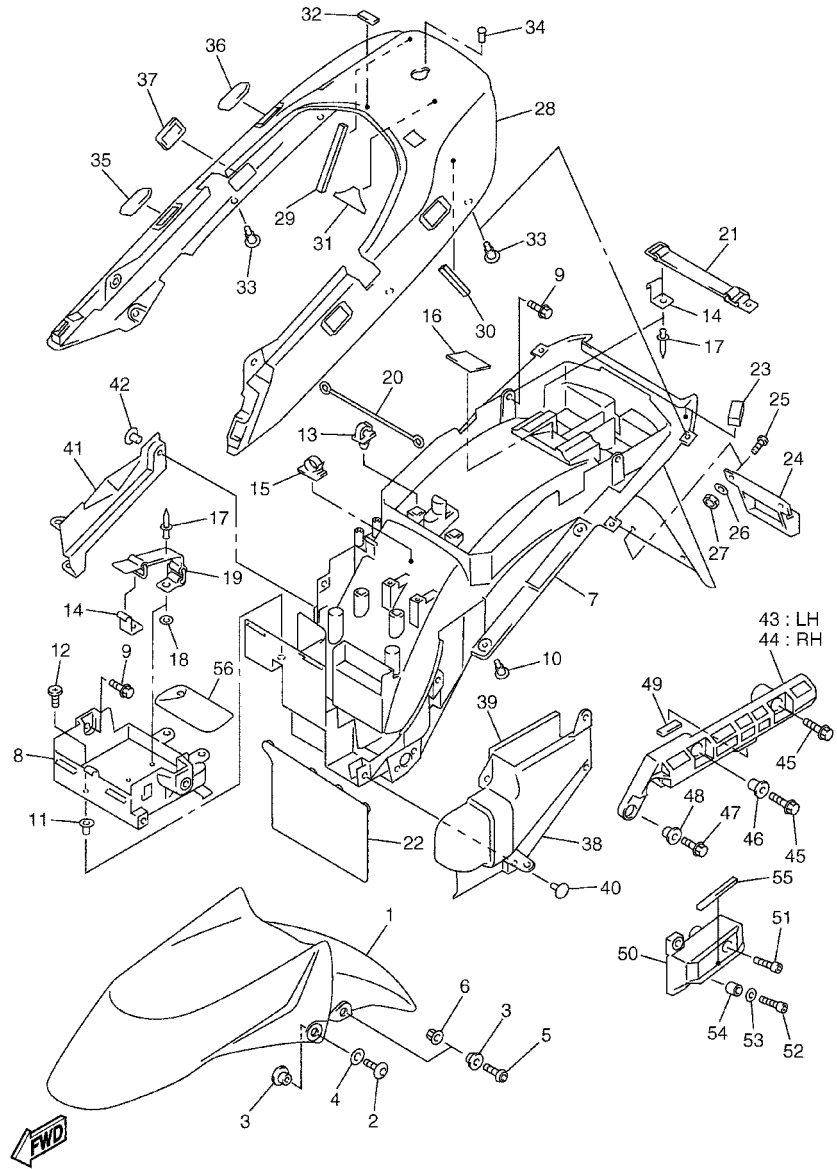


5JW4300-2220

FIG. 22 FENDER

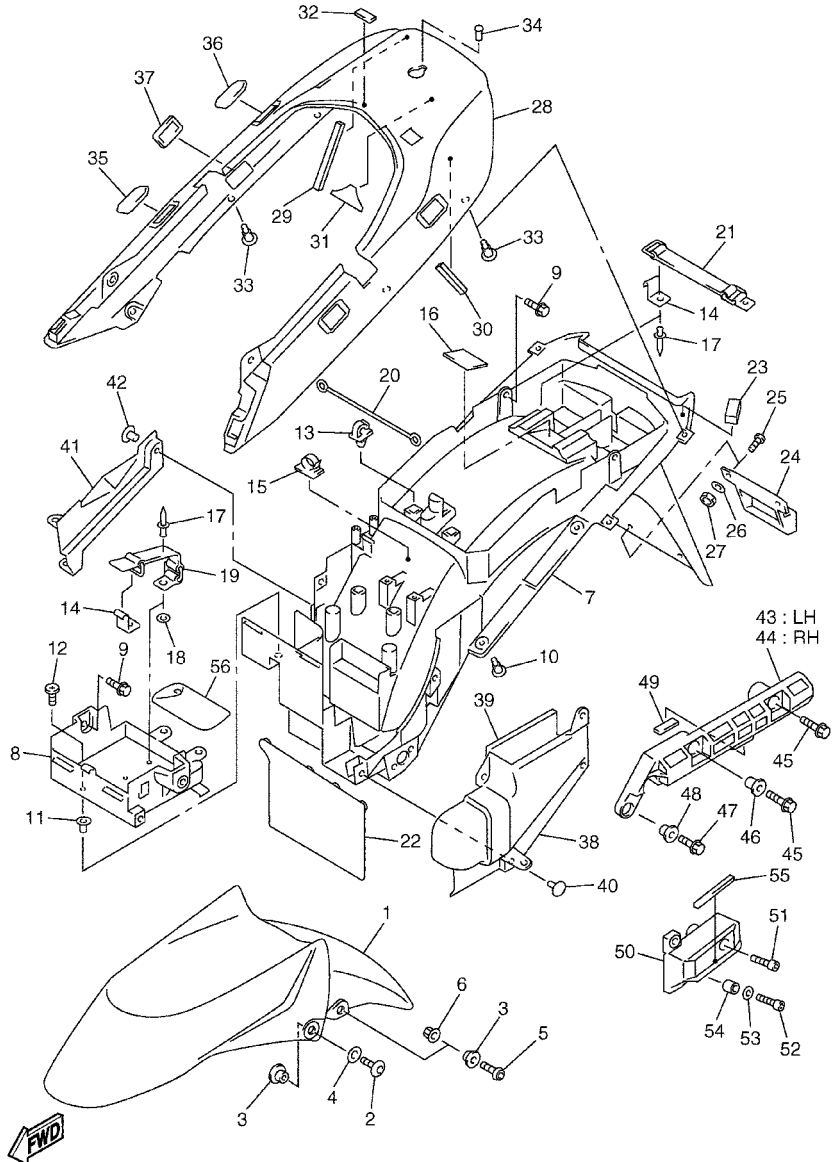
REF. NO.	PART NO.	DESCRIPTION	5JW4	5JW6	REMARKS
1	5JW-21511-10-P2	FENDER, FRONT	1	1	UR DPBMC
	5JW-21511-10-P0	FENDER, FRONT	1	1	UR DRMD
	5JW-21511-10-P1	FENDER, FRONT	1	1	UR SM1
2	90110-06200	BOLT, HEXAGON SOCKET HEAD	2	2	
3	90387-07006	COLLAR	4	4	
4	90202-06170	WASHER, PLATE	2	2	
5	92014-06025	BOLT, BUTTON HEAD	2	2	
6	90179-06009	NUT	2	2	
7	5JW-21611-00	FENDER, REAR	1	1	
8	5JW-2160E-00	BOX	1	1	
9	90119-06227	BOLT, WITH WASHER	4	4	
10	90269-06081	RIVET	4	4	
11	90338-08226	PLUG	3	3	
12	97707-60016	SCREW, TAPPING	3	3	
13	90464-07259	CLAMP	3	3	
14	4HM-2162A-00	HOOK	2	2	
15	90464-25160	CLAMP	2	2	
16	5JW-2164K-00	PATCH 5	1	1	
17	90267-40076	RIVET, BLIND	4	4	
18	90201-04018	WASHER, PLATE	2	2	
19	5JW-21376-00	BAND, TOOL	1	1	
20	256-21376-00	BAND, TOOL	1	1	
21	5JW-21647-01	BAND	1	1	
22	5JW-21621-00	FLAP	1	1	
23	5JW-21656-00	PATCH 2	2	2	
24	5JW-85132-00	BRACKET, REFLECTOR 1	1	1	
25	90149-04278	SCREW	2	2	

FIG. 22 FENDER



5JW4300-2220

REF. NO.	PART NO.	DESCRIPTION	5JW4	5JW6	REMARKS
26	90201-047A2	WASHER, PLATE	2	2	
27	95607-04100	NUT, U	2	2	
28	5JW-21651-00-P0	COVER, REAR FENDER	1	1	UR DPBMC
	5JW-21651-00-P2	COVER, REAR FENDER	1	1	UR DRMD
	5JW-21651-00-P1	COVER, REAR FENDER	1	1	UR SM1
29	5JW-21649-00	DAMPER	2	2	
30	4PT-28217-00	DAMPER 1	2	2	
31	5JW-21655-00	PACH 1	2	2	
32	5JW-21657-00	PATCH	1	1	
33	90269-06081	RIVET	4	4	
34	90269-03002	RIVET	1	1	
35	5JW-2163E-00-P0	COVER, REAR FENDER 2	2	2	UR DPBMC
	5JW-2163E-00-P2	COVER, REAR FENDER 2	2	2	UR DRMD
	5JW-2163E-00-P1	COVER, REAR FENDER 2	2	2	UR SM1
36	5JW-2163E-10-P0	COVER, REAR FENDER 2	2	2	UR DPBMC
	5JW-2163E-10-P2	COVER, REAR FENDER 2	2	2	UR DRMD
	5JW-2163E-10-P1	COVER, REAR FENDER 2	2	2	UR SM1
37	5JW-2163F-00-P0	COVER, REAR FENDER 3	2	2	UR DPBMC
	5JW-2163F-00-P2	COVER, REAR FENDER 3	2	2	UR DRMD
	5JW-2163F-00-P1	COVER, REAR FENDER 3	2	2	UR SM1
38	5JW-2163A-00	COVER, REAR FENDER 1	1	1	
39	5JW-21639-00	DAMPER 2	1	1	
40	90269-06081	RIVET	4	4	
41	5JW-2163A-10	COVER, REAR FENDER 1	1	1	
42	90269-06081	RIVET	2	2	
43	5JW-2164F-00	STAY 1	1	1	
44	5JW-2164G-00	STAY 2	1	1	

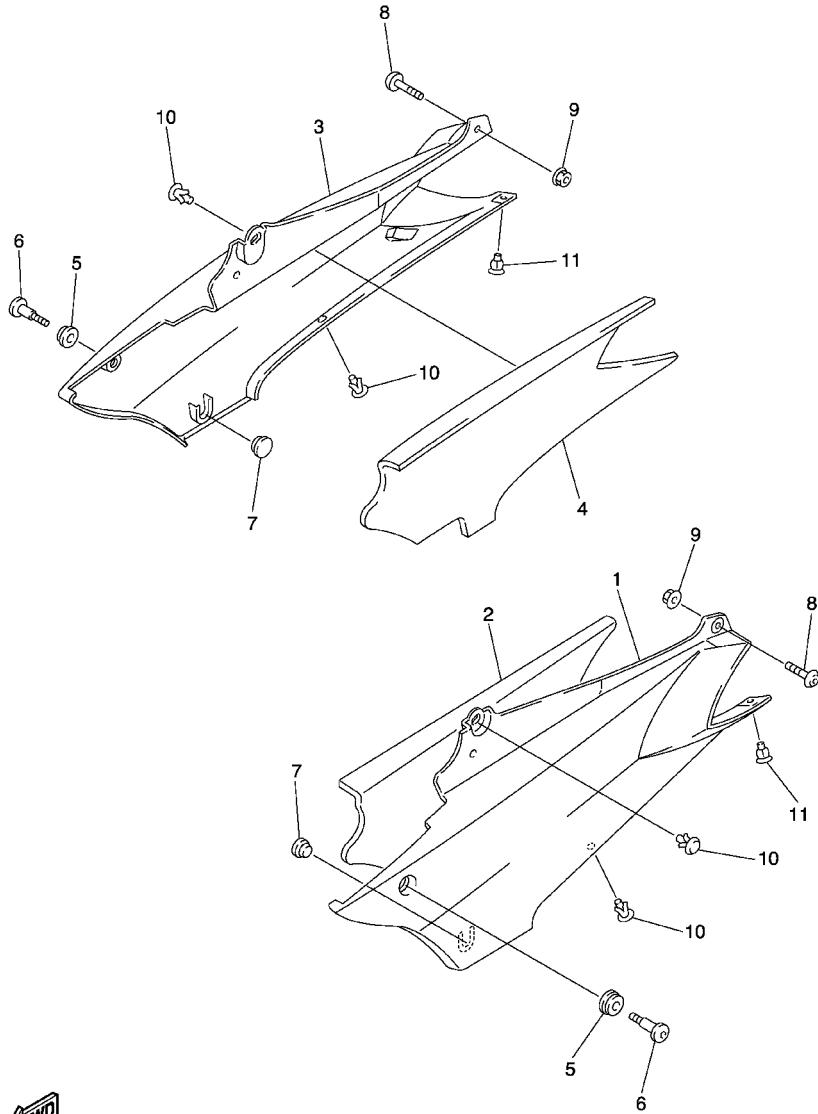


5JW4300-2220

FIG. 22 FENDER

REF. NO.	PART NO.	DESCRIPTION	5JW4	5JW6				REMARKS
45	95827-06025	BOLT, FLANGE	6	6				
46	90387-060M9	COLLAR	4	4				
47	90109-087F1	BOLT	2	2				
48	90387-08016	COLLAR	2	2				
49	5JW-21652-00	PROTECTOR	2	2				
50	5JW-21165-00	HANDLE, STANDING	1	1				
51	91317-06025	BOLT	2	2				
52	90109-06014	BOLT	1	1				
53	90201-062A8	WASHER, PLATE	1	1				
54	90387-064M9	COLLAR	1	1				
55	5JW-2174X-00	DAMPER	1	1				
56	5JW-28100-00	TOOL KIT	1	1				

FIG. 23 SIDE COVER

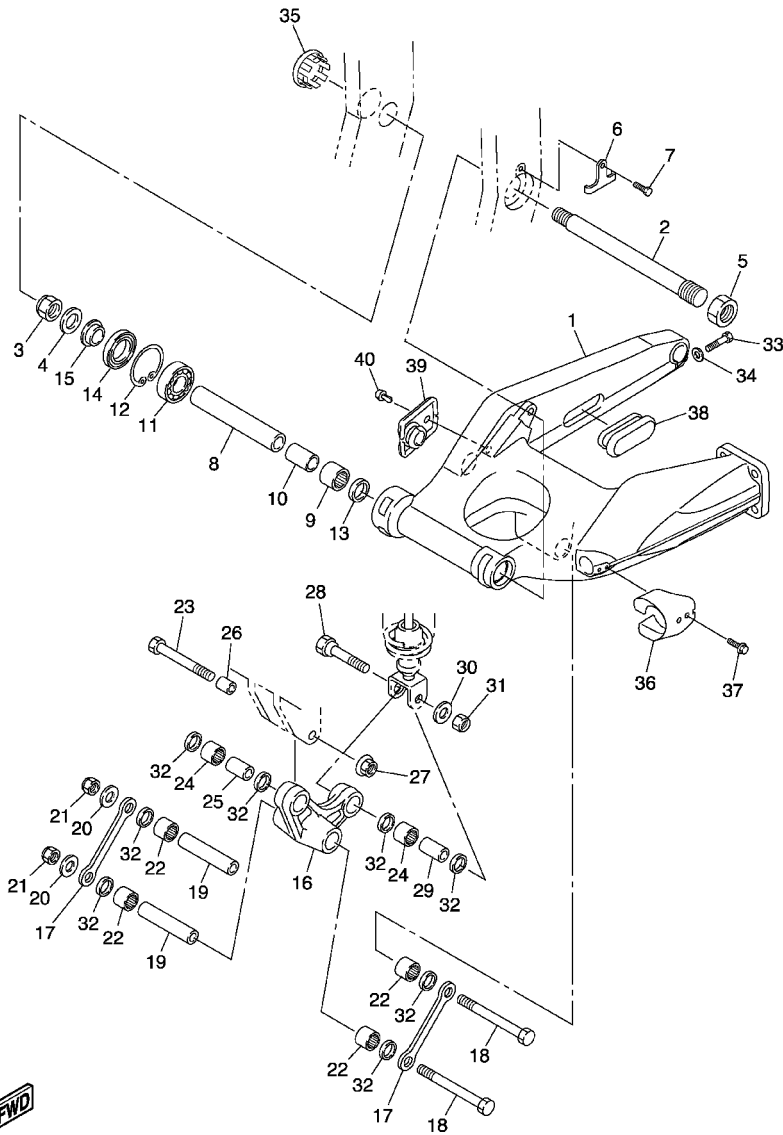


REF. NO.	PART NO.	DESCRIPTION	5JW4	5JW6	REMARKS
1	5JW-21711-00-P0	COVER, SIDE 1	1	1	SM1
2	5JW-21746-00	DAMPER	1	1	
3	5JW-21721-00-P0	COVER, SIDE 2	1	1	SM1
4	5JW-21746-10	DAMPER	1	1	
5	90480-13398	GROMMET	2	2	
6	90109-06037	BOLT	2	2	
7	90338-10132	PLUG	2	2	
8	90149-05299	SCREW	2	2	
9	95707-05500	NUT, FLANGE	2	2	
10	90269-07077	RIVET	4	4	
11	90269-06081	RIVET	2	2	



5JW1300-1230

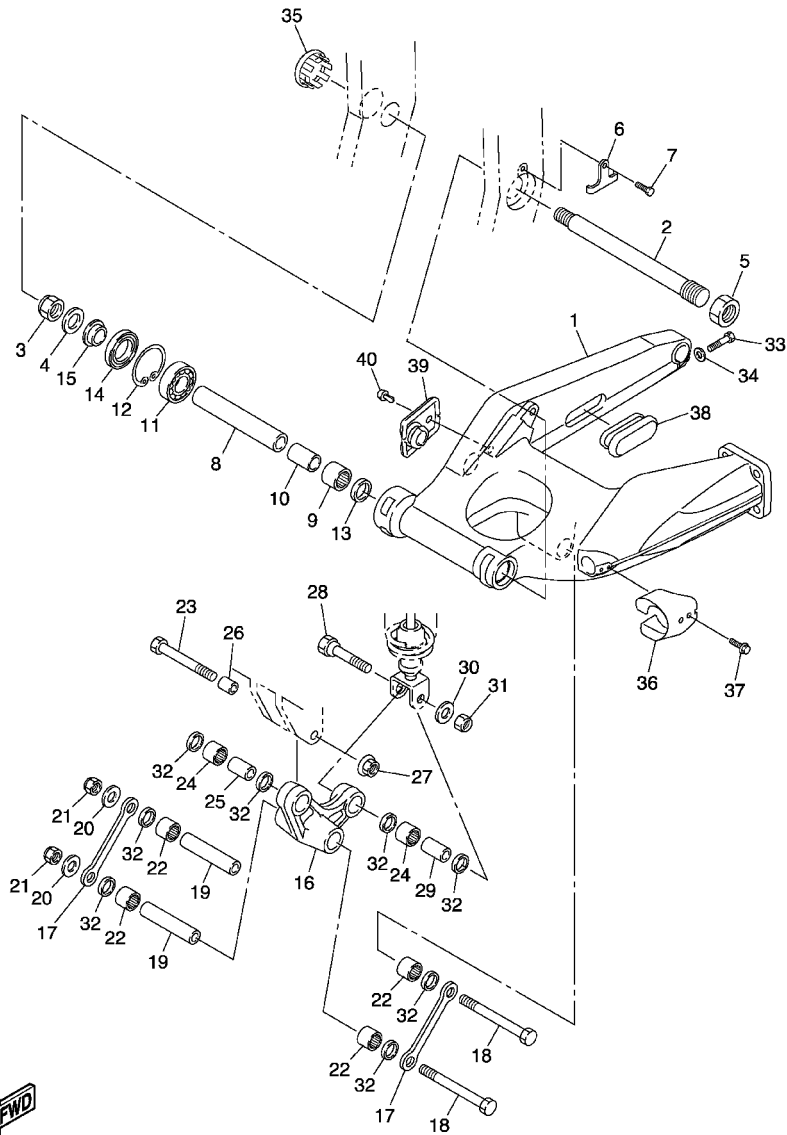
FIG. 24 REAR ARM



5JW1300-1240

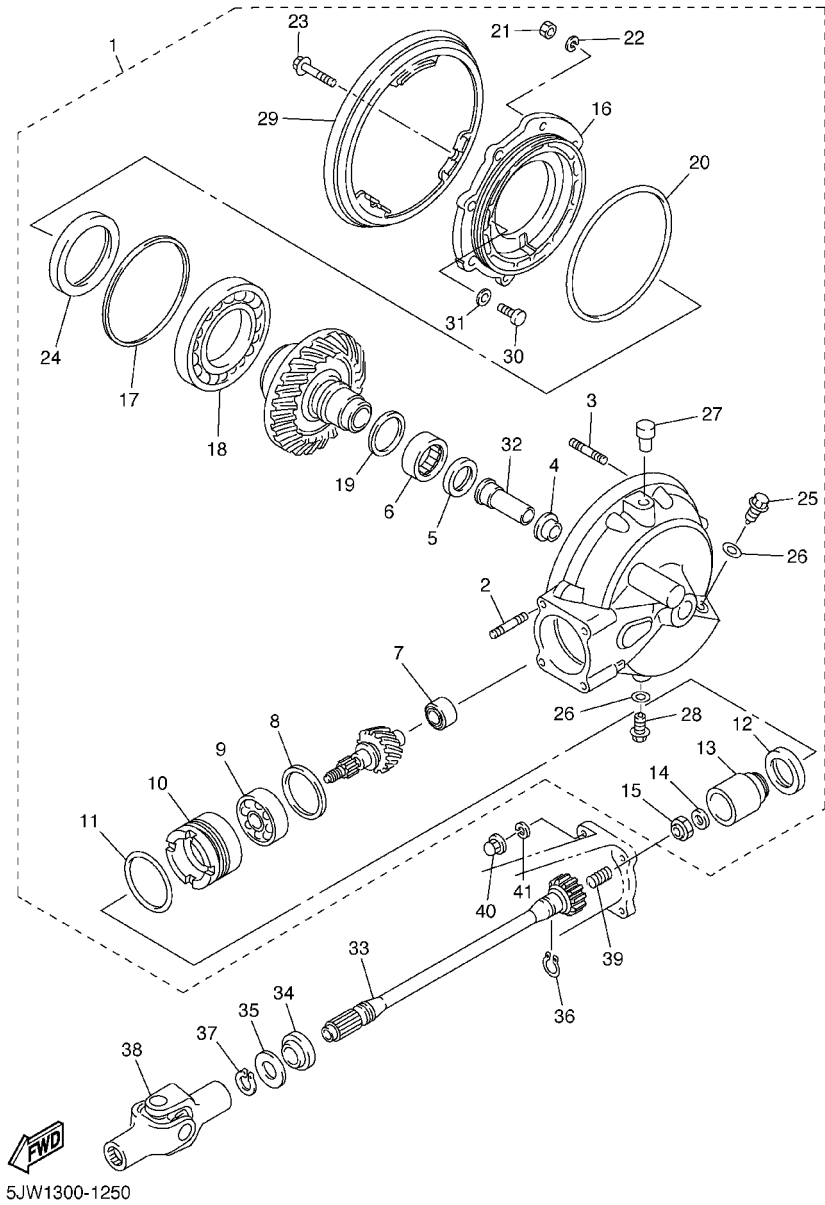
REF. NO.	PART NO.	DESCRIPTION	5JW4	5JW6	REMARKS
1	5JW-22110-00	REAR ARM COMP.	1	1	
2	5JW-22141-00	SHAFT, PIVOT	1	1	
3	90185-18104	NUT, SELF-LOCKING	1	1	
4	90201-186H3	WASHER, PLATE	1	1	
5	90170-28379	NUT	1	1	
6	5JW-22128-00	COVER, THRUST 1	1	1	
7	97007-06010	BOLT	1	1	
8	90387-20011	COLLAR	1	1	
9	93317-42583	BEARING	1	1	
10	5JW-25383-00	COLLAR, WHEEL	1	1	
11	93306-30446	BEARING	1	1	
12	99009-52500	CIRCLIP	1	1	
13	93102-25270	OIL SEAL	1	1	
14	93102-28023	OIL SEAL	1	1	
15	90387-207V6	COLLAR	1	1	
16	5JW-2217A-00	ARM, RELAY	1	1	
17	5JW-2217M-00	ARM 1	2	2	
18	90101-10658	BOLT	2	2	
19	90387-122R5	COLLAR	2	2	
20	90201-101J1	WASHER, PLATE	2	2	
21	95617-10100	NUT, U	2	2	
22	93317-31701	BEARING	4	4	
23	90101-10011	BOLT	1	1	
24	93315-31759	BEARING	2	2	
25	90387-102R4	COLLAR	1	1	
26	90387-10009	COLLAR	1	1	
27	95607-10200	NUT, SELF-LOCKING	1	1	

FIG. 24 REAR ARM



5JW1300-1240

REF. NO.	PART NO.	DESCRIPTION	5JW4	5JW6	REMARKS
28	90109-10007	BOLT	1	1	
29	90387-127W0	COLLAR	1	1	
30	90201-101J1	WASHER, PLATE	1	1	
31	95617-10100	NUT, U	1	1	
32	93109-17071	OIL SEAL	8	8	
33	97014-08040	BOLT	1	1	
34	92904-08600	WASHER	1	1	
35	4BH-2219X-00	COVER	1	1	
36	5JW-2217H-00	COVER, DUST	1	1	
37	90119-05005	BOLT, WITH WASHER	2	2	
38	5JW-2219X-00	COVER	1	1	
39	5JW-22129-00	COVER, THRUST 2	1	1	
40	90269-05002	RIVET	1	1	



5JW1300-1250

FIG. 25 DRIVE SHAFT

REF. NO.	PART NO.	DESCRIPTION	5JW4	5JW6	REMARKS
1	5JW-W4612-00	REAR AXLE GEAR CASE ASSY	1	1	
2	90116-10010	.BOLT, STUD	4	4	
3	90116-08427	.BOLT, STUD	6	6	
4	5JW-46153-00	.COLLAR, GUIDE	1	1	
5	93101-30084	.OIL SEAL	1	1	
6	93311-43729	.BEARING	1	1	
7	2H7-46102-00	.BEARING ASSY	1	1	
8	1J7-17537-Y0-30	.SHIM, THRUST (0.30T)	1	1	UR
	1J7-17537-Y0-40	.SHIM, THRUST (0.40T)	1	1	UR
	1J7-17537-Y0-50	.SHIM, THRUST (0.50T)	1	1	UR
9	93306-30533	.BEARING (B6305RB1 SPECIAL)	1	1	
10	4H7-46125-00	.RETAINER, BEARING	1	1	
11	93210-60426	.O-RING	1	1	
12	93101-38098	.OIL SEAL	1	1	
13	4H7-46123-01	.COUPLING, GEAR	1	1	
14	90201-166R5	.WASHER, PLATE	1	1	
15	90179-16661	.NUT	1	1	
16	1FK-46152-01	.HOUSING, BEARING	1	1	
17	1J7-46117-Y0-25	.SHIM, RING GEAR (0.25T)	1	1	UR
	1J7-46117-Y0-30	.SHIM, RING GEAR (0.30T)	1	1	UR
	1J7-46117-Y0-40	.SHIM, RING GEAR (0.40T)	1	1	UR
	1J7-46117-Y0-50	.SHIM, RING GEAR (0.50T)	1	1	UR
18	93316-01403	.BEARING	1	1	
19	22U-46118-00-12	.SHIM, THRUST (1.2T)	1	1	UR
	22U-46118-00-14	.SHIM, THRUST (1.4T)	1	1	UR
	22U-46118-00-16	.SHIM, THRUST (1.6T)	1	1	UR
	22U-46118-00-18	.SHIM, THRUST (1.8T)	1	1	UR

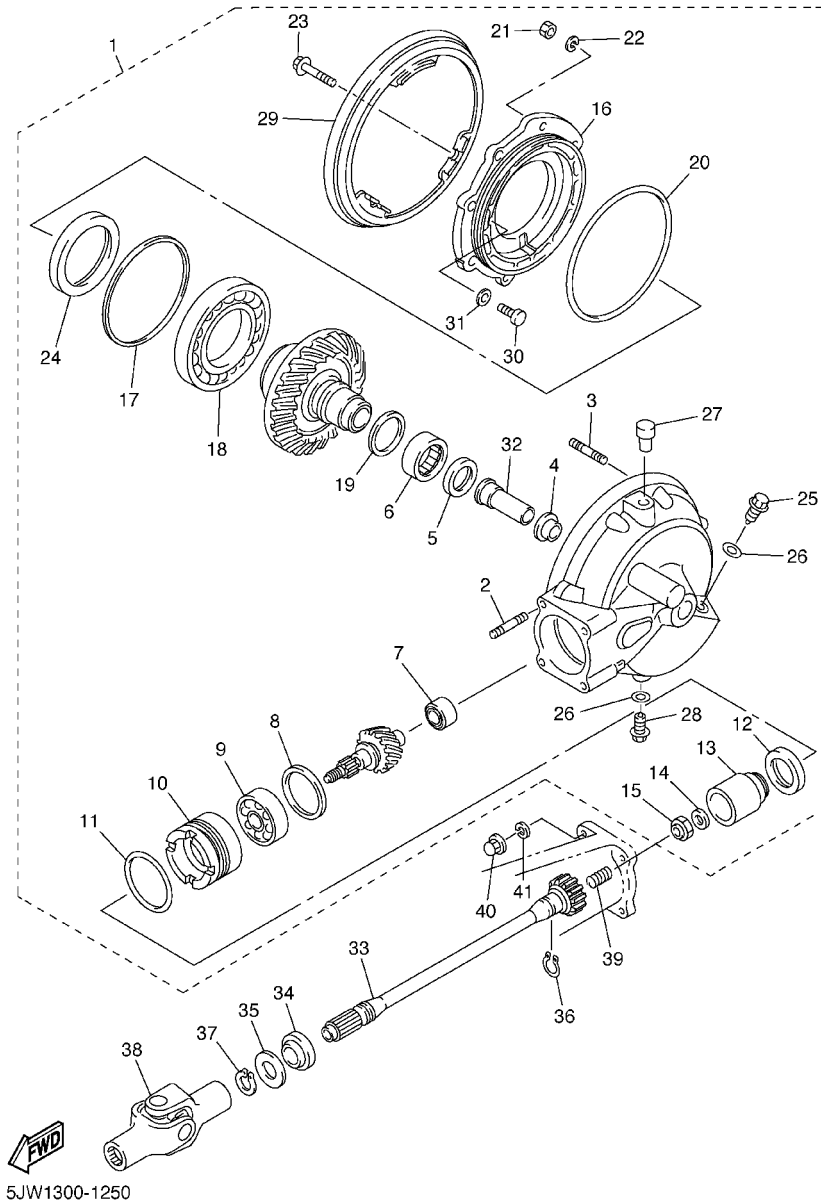
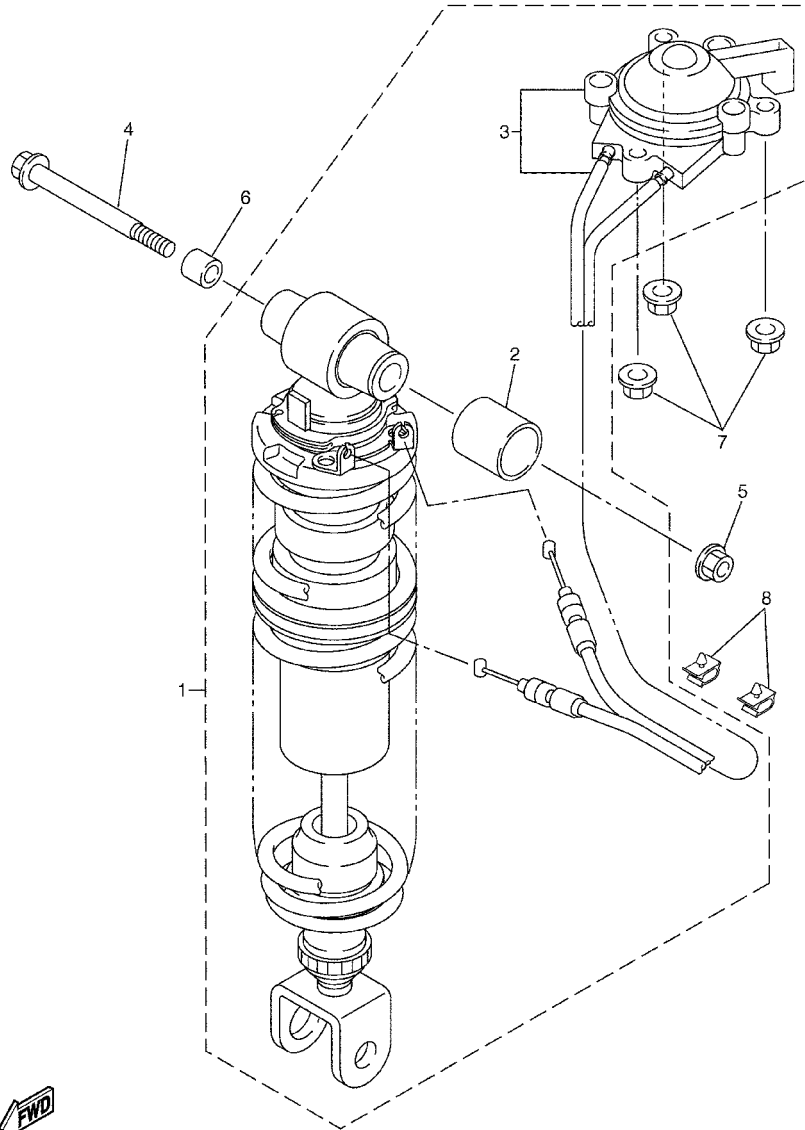


FIG. 25 DRIVE SHAFT

REF. NO.	PART NO.	DESCRIPTION	5JW4	5JW6	REMARKS
19	22U-46118-00-20	.SHIM, THRUST (2.0T)	1	1	UR
20	93211-54698	.O-RING	1	1	
21	95317-08600	.NUT	6	6	
22	92907-08700	.WASHER	6	6	
23	95817-10050	.BOLT, FLANGE	2	2	
24	93102-70167	.OIL SEAL	1	1	
25	90340-14132	.PLUG, STRAIGHT SCREW	1	1	
26	214-11198-01	.GASKET	2	2	
27	2H7-17590-00	.BREATHER COMP.	1	1	
28	90340-14135	.PLUG, STRAIGHT SCREW	1	1	
29	1FK-46154-00	.COVER, HOUSING	1	1	
30	1FK-46156-00	.STOPPER, RING GEAR	1	1	
31	1FK-46157-00-15	.SHIM, STOPPER (T=0.15)	1	1	UR
	1FK-46157-00-20	.SHIM, STOPPER (T=0.20)	1	1	UR
32	5JW-4615A-00	.COLLAR, GUIDE 1	1	1	
33	5JW-46172-00	SHAFT, DRIVE	1	1	
34	93108-23007	OIL SEAL	1	1	
35	90201-231A2	WASHER, PLATE	1	1	
36	93410-23056	CIRCLIP	1	1	
37	93410-22039	CIRCLIP	1	1	
38	5JW-46180-00	CROSS JOINT COMP.	1	1	
39	90501-16491	SPRING, COMPRESSION	1	1	
40	90176-10075	NUT, CROWN	4	4	
41	92990-10600	WASHER, PLATE	4	4	

FIG. 26 REAR SUSPENSION

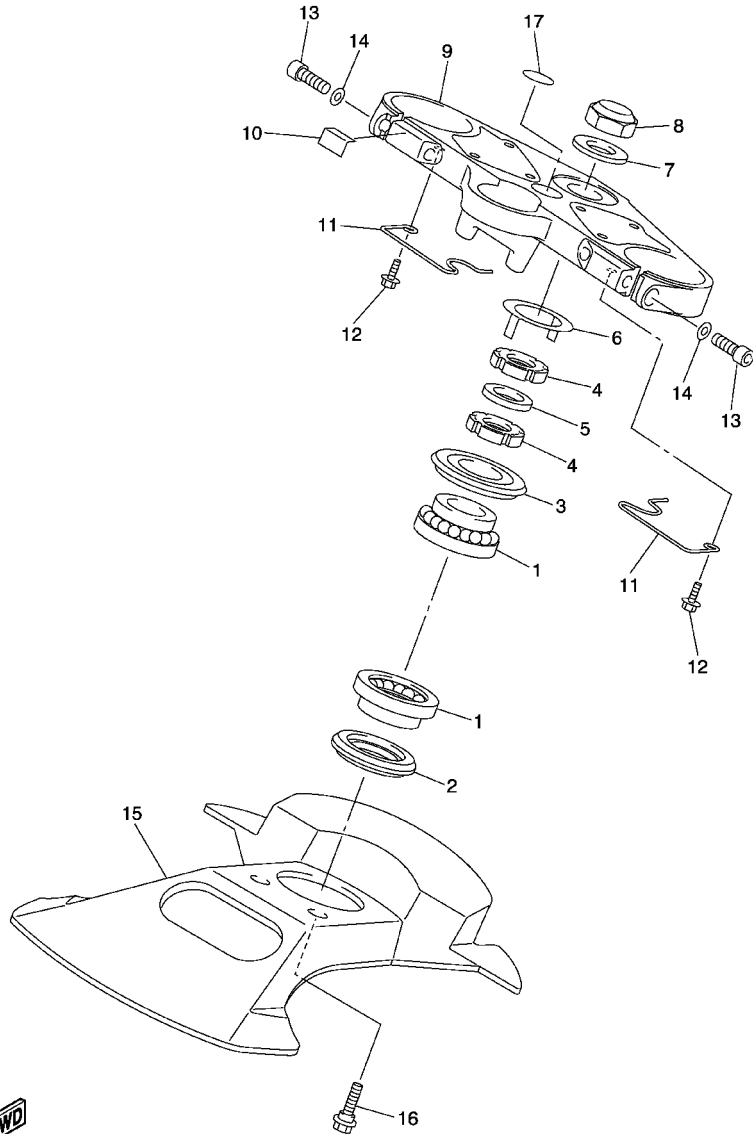


REF. NO.	PART NO.	DESCRIPTION	5JW4	5JW6	REMARKS
1	5JW-22210-10	SHOCK ABSORBER ASSY, REAR	1	1	
2	5JW-22216-00	.BUSH, REAR SHOCK ABSORBER	1	1	
3	5JW-22460-00	.CONTROL PANEL ASSY	1	1	
4	90101-12755	BOLT	1	1	
5	95607-12200	NUT, SELF-LOCKING	1	1	
6	90387-12011	COLLAR	1	1	
7	95607-06200	NUT, SELF U-FLANGE	3	3	
8	90464-14001	CLAMP	2	2	



5JW1300-1261

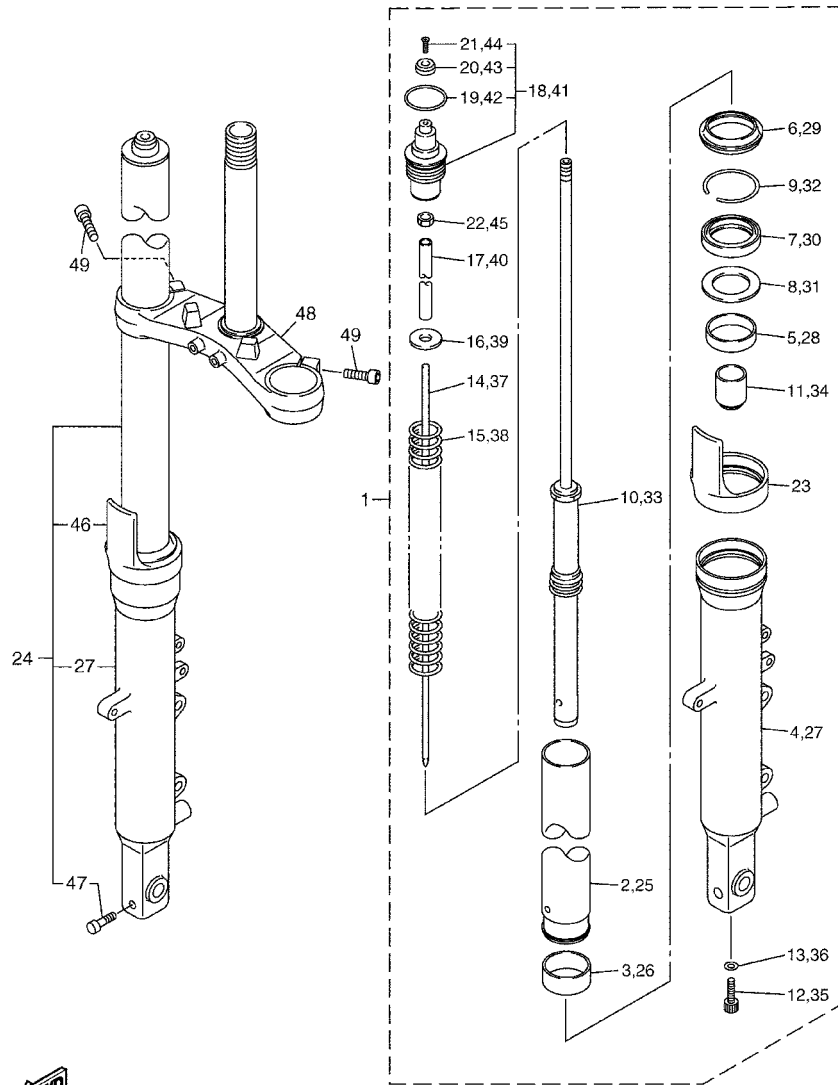
FIG. 27 STEERING



FWD
5JW1300-1270

REF. NO.	PART NO.	DESCRIPTION	5JW4	5JW6	REMARKS
1	93399-99932	BEARING	2	2	
2	3FV-23462-00	SEAL, STEERING	1	1	
3	4XV-23415-01	COVER, BALL RACE 1	1	1	
4	90179-30691	NUT	2	2	
5	90202-30235	WASHER, PLATE	1	1	
6	4XV-23418-00	WASHER, SPECIAL	1	1	
7	90201-281U8	WASHER, PLATE	1	1	
8	90176-28083	NUT, CROWN	1	1	
9	5JW-23435-01	CROWN, HANDLE	1	1	
10	5JW-23844-00	SEAL	1	1	
11	5JW-23389-00	GUIDE, CABLE	2	2	
12	90105-06639	BOLT, FLANGE	2	2	
13	91314-08030	BOLT	2	2	
14	90201-06018	WASHER, PLATE	2	2	
15	5JW-23818-00	COVER, STEERING	1	1	
16	90109-063F1	BOLT	2	2	
17	4XV-2341B-00	EMBLEM	1	1	

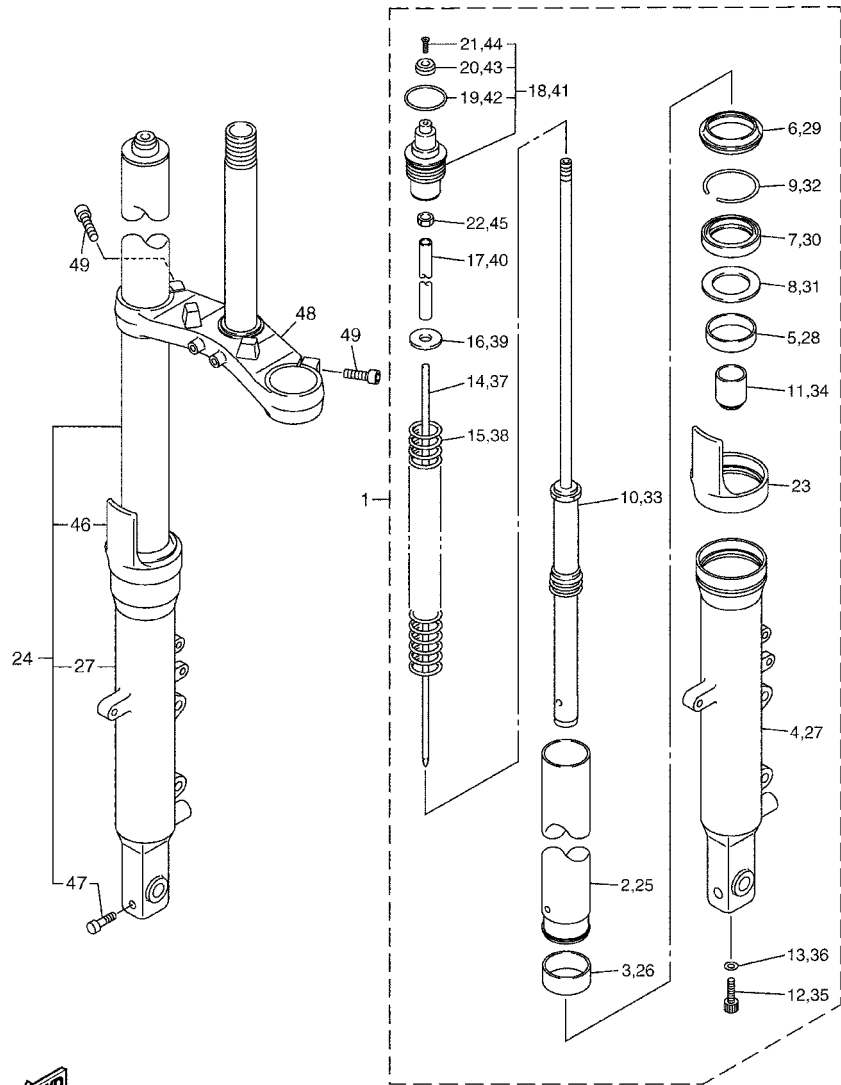
FIG. 28 FRONT FORK



5JW1300-1280

REF. NO.	PART NO.	DESCRIPTION	5JW4	5JW6	REMARKS
1	5JW-23102-01	FRONT FORK ASSY (L.H)	1	1	
2	5JW-23110-00	.INNER TUBE COMP.1	1	1	
3	4SV-23135-00	.METAL, SLIDE 2	1	1	
4	5JW-23106-01	.OUTER TUBE COMP. (L.H)	1	1	
5	4SV-23125-00	.METAL, SLIDE 1	1	1	
6	4SV-23144-00	.SEAL, DUST	1	1	
7	4SV-23145-00	.OIL SEAL	1	1	
8	4SV-23115-00	.GUIDE, COVER UPPER	1	1	
9	4SV-23156-00	.CLIP, OIL SEAL	1	1	
10	5JW-23170-00	.CYLINDER COMP., FRONT FORK	1	1	
11	5LV-23173-00	.SPINDLE, TAPER	1	1	
12	90110-10N52	.BOLT, HEXAGON SOCKET HEAD	1	1	
13	90430-10171	.GASKET	1	1	
14	5JW-2318Y-00	.PLUNGER	1	1	
15	5JW-23141-00	.SPRING, FRONT FORK	1	1	
16	90201-10321	.WASHER, PLATE	1	1	
17	5JW-23118-00	.SPACER	1	1	
18	5JW-23111-01	.BOLT, CAP	1	1	
19	93210-40N50	..O-RING	1	1	
20	5JW-2319W-00	..CAP	1	1	
21	90142-03N01	..SCREW, COUNTERSUNK	1	1	
22	95307-10600	.NUT	1	1	
23	4SV-2331G-00	.COVER	1	1	
24	5JW-23103-01	FRONT FORK ASSY (R.H)	1	1	
25	5JW-23110-00	.INNER TUBE COMP.1	1	1	
26	4SV-23135-00	.METAL, SLIDE 2	1	1	
27	5JW-23107-01	.OUTER TUBE COMP. (R.H)	1	1	

FIG. 28 FRONT FORK

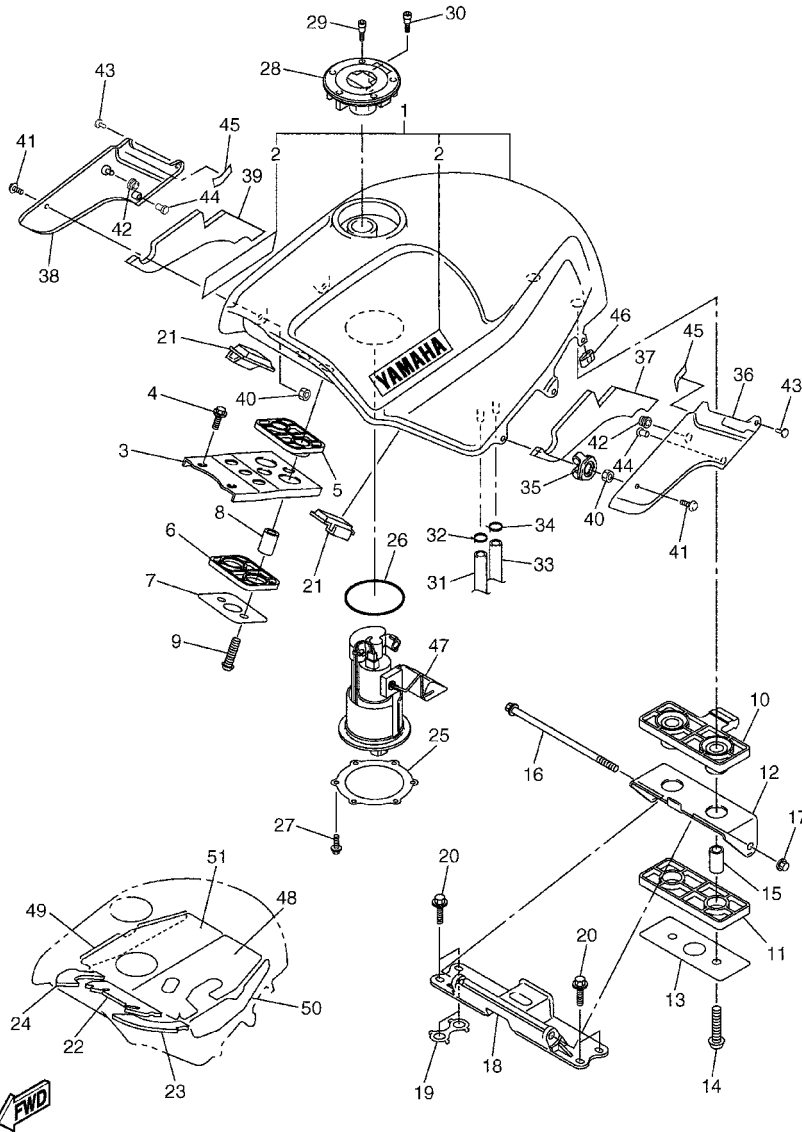


REF. NO.	PART NO.	DESCRIPTION	5JW4	5JW6	REMARKS
28	4SV-23125-00	.METAL, SLIDE 1	1	1	
29	4SV-23144-00	.SEAL, DUST	1	1	
30	4SV-23145-00	.OIL SEAL	1	1	
31	4SV-23115-00	.GUIDE, COVER UPPER	1	1	
32	4SV-23156-00	.CLIP, OIL SEAL	1	1	
33	5JW-23170-00	.CYLINDER COMP., FRONT FORK	1	1	
34	5LV-23173-00	.SPINDLE, TAPER	1	1	
35	90110-10N52	.BOLT, HEXAGON SOCKET HEAD	1	1	
36	90430-10171	.GASKET	1	1	
37	5JW-2318Y-00	.PLUNGER	1	1	
38	5JW-23141-00	.SPRING, FRONT FORK	1	1	
39	90201-10321	.WASHER, PLATE	1	1	
40	5JW-23118-00	.SPACER	1	1	
41	5JW-23111-01	.BOLT, CAP	1	1	
42	93210-40N50	.O-RING	1	1	
43	5JW-2319W-00	.CAP	1	1	
44	90142-03N01	.SCREW, COUNTERSUNK	1	1	
45	95307-10600	.NUT	1	1	
46	4SV-2331G-00	.COVER	1	1	
47	91314-08040	.BOLT	1	1	
48	5JW-23340-00	UNDER BRACKET COMP.	1	1	
49	91317-08025	BOLT	4	4	



5JW1300-1280

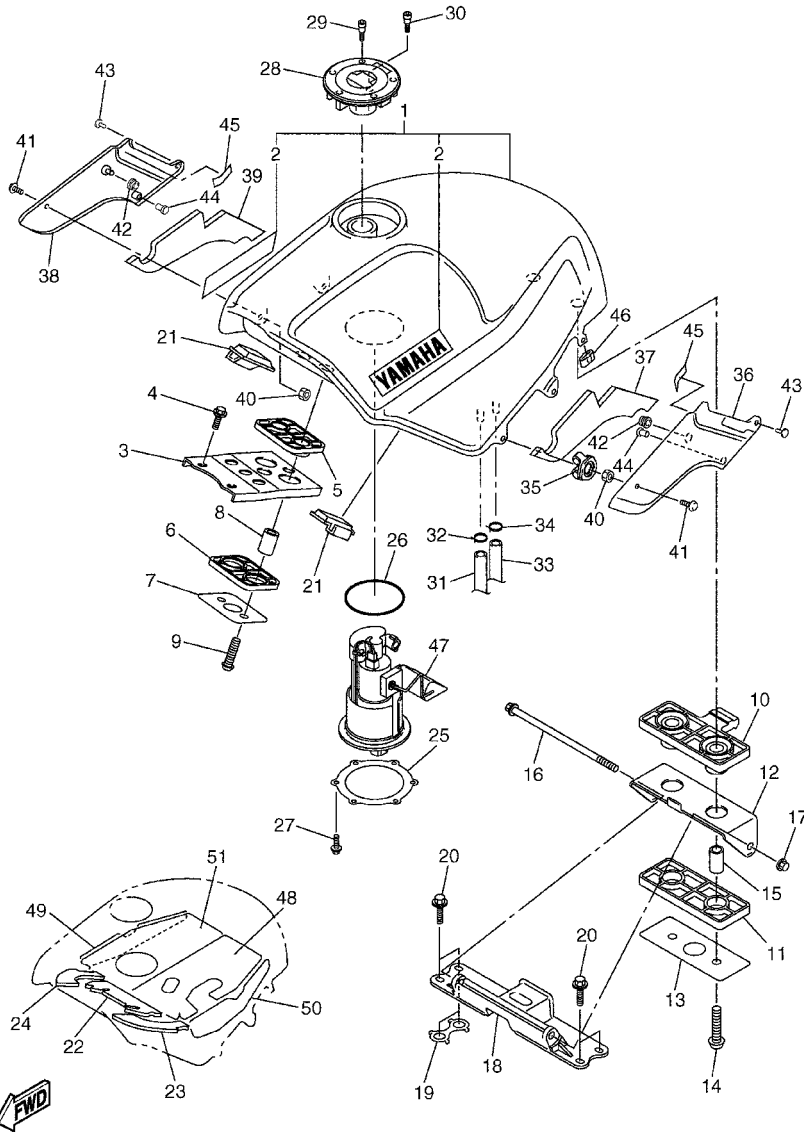
FIG. 29 FUEL TANK



5JW4300-2290

REF. NO.	PART NO.	DESCRIPTION	5JW4	5JW6	REMARKS
1	5JW-Y2410-10-02	FUEL TANK COMP.	1	1	UR DPBMC
	5JW-Y2410-10-04	FUEL TANK COMP.	1	1	UR DRMD
	5JW-Y2410-10-03	FUEL TANK COMP.	1	1	UR SM1
2	99226-00160	.EMBLEM, YAMAHA	2	2	UR FOR DPBMC
	99227-00160	.EMBLEM, YAMAHA	2	2	UR FOR DRMD,SM1
3	5JW-24191-00	BRACKET, FUEL TANK 1	1	1	
4	95814-06020	BOLT, FLANGE	2	2	
5	5JW-24181-00	DAMPER, LOCATING 1	1	1	
6	5JW-24182-00	DAMPER, LOCATING 2	1	1	
7	5JW-24187-00	WASHER, SPECIAL	1	1	
8	90387-0813V	COLLAR	2	2	
9	92017-08035	BOLT, BUTTON HEAD	2	2	
10	5JW-24183-00	DAMPER, LOCATING 3	1	1	
11	5JW-24184-00	DAMPER, LOCATING 4	1	1	
12	5JW-24192-01	BRACKET, FUEL TANK 2	1	1	
13	5JW-24186-00	WASHER, SPECIAL	1	1	
14	92017-08035	BOLT, BUTTON HEAD	2	2	
15	90387-0813V	COLLAR	2	2	
16	95817-08160	BOLT, FLANGE	1	1	
17	95707-08500	NUT, FLANGE	1	1	
18	5JW-21348-00	BRACKET, TANK FITTING	1	1	
19	5JW-2411L-00	HOOK TANK FITTING	1	1	
20	90119-06172	BOLT, WITH WASHER	4	4	
21	4SV-24183-00	DAMPER, LOCATING 3	2	2	
22	5JW-2414K-00	DAMPER, PLATE 3	1	1	
23	5JW-2414N-00	DAMPER, PLATE 4	1	1	
24	5JW-2414P-00	DAMPER, PLATE 5	1	1	

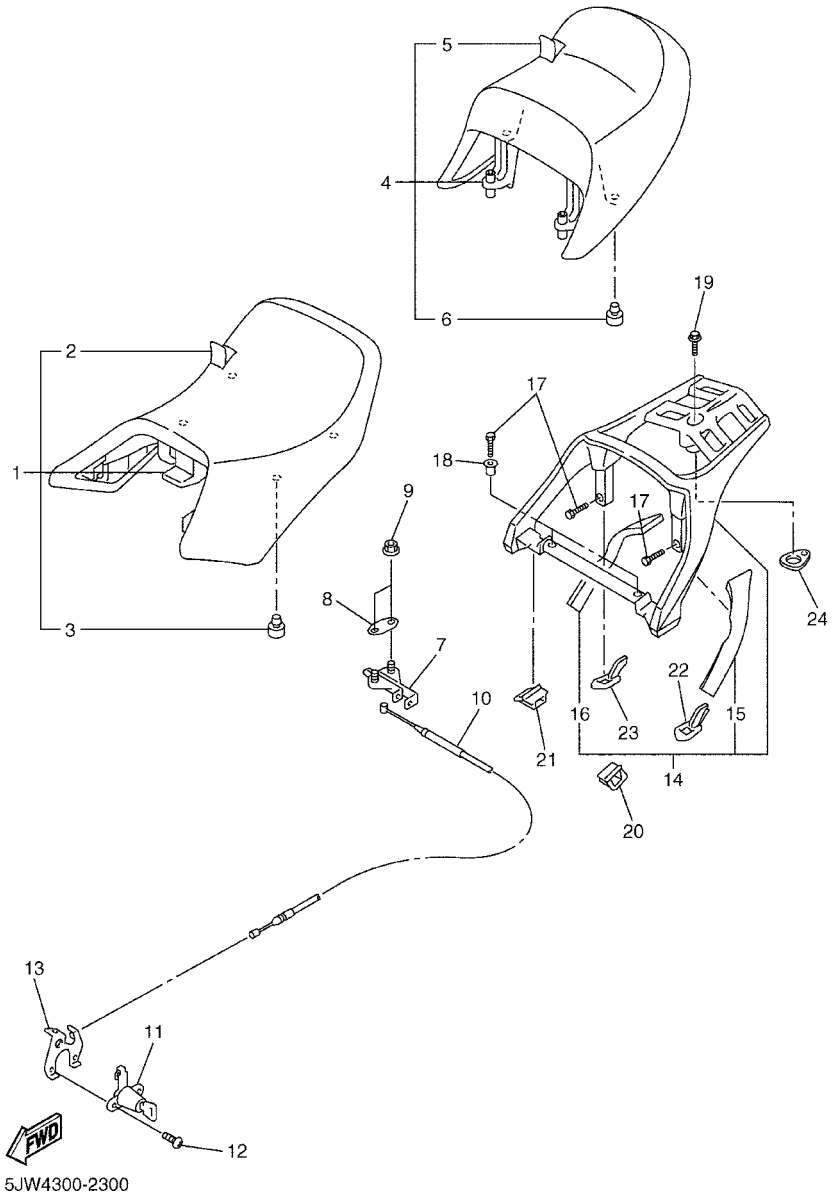
FIG. 29 FUEL TANK



5JW4300-2290

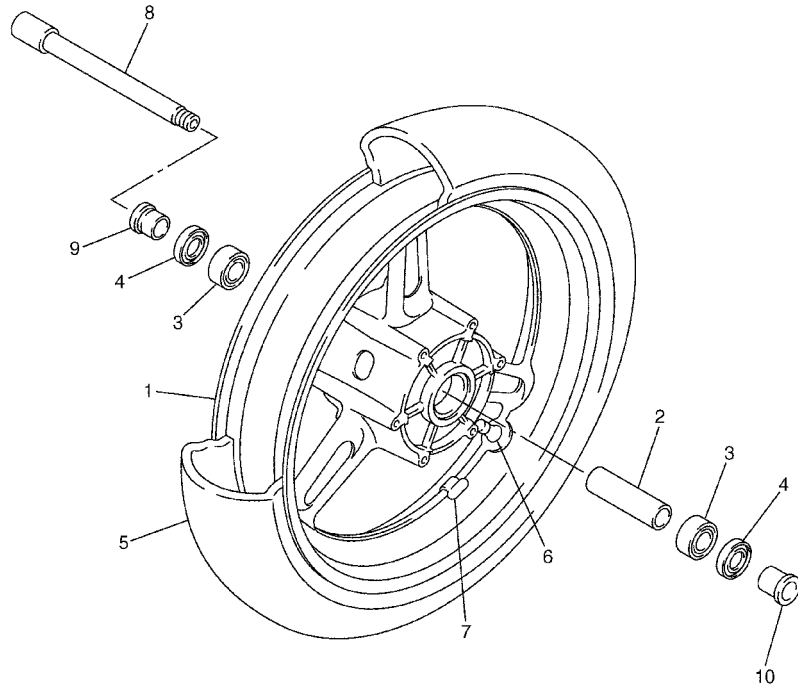
REF. NO.	PART NO.	DESCRIPTION	5JW4	5JW6	REMARKS
25	5JW-24491-00	BRACKET, FUEL PUMP	1	1	
26	5JW-24486-00	O-RING	1	1	
27	92017-05014	BOLT, BUTTON HEAD	6	6	
28	5JJ-24602-00	CAP ASSY	1	1	
29	90110-05112	BOLT, HEXAGON SOCKET HEAD	3	3	
30	91317-05010	BOLT	1	1	
31	90445-11018	HOSE	1	1	
32	90467-10008	CLIP	1	1	
33	90445-11018	HOSE	1	1	
34	90467-10008	CLIP	1	1	
35	5JW-2419A-00	HOLDER	1	1	
36	5JW-24129-00	COVER, SIDE 1	1	1	
37	5JW-2414H-00	DAMPER, PLATE 1	1	1	
38	5JW-24139-00	COVER, SIDE 2	1	1	
39	5JW-2414H-10	DAMPER, PLATE 1	1	1	
40	90179-05523	NUT	2	2	
41	90149-05299	SCREW	2	2	
42	90480-13567	GROMMET	2	2	
43	90269-07077	RIVET	2	2	
44	90338-08009	PLUG	2	2	
45	5DM-28371-00	DAMPER	2	2	
46	15A-21717-00	DAMPER	2	2	
47	5JW-13907-00	FUEL PUMP COMP.	1	1	
48	5JW-2414J-00	DAMPER, PLATE 2	1	1	
49	5JW-2414N-10	DAMPER, PLATE 4	1	1	
50	5JW-2414P-10	DAMPER, PLATE 5	1	1	
51	5JW-2414R-00	DAMPER, PLATE 6	1	1	

FIG. 30 SEAT



REF. NO.	PART NO.	DESCRIPTION	5JW4	5JW6	REMARKS
1	5JW-24710-00	SINGLE SEAT ASSY	1	1	
2	5JW-2470F-00	.SEAT COVER COMP.	1	1	
3	5JW-24741-00	.PAD, SEAT	4	4	
4	5JW-24750-00	TANDEM SEAT ASSY	1	1	
5	5JW-2470F-10	.SEAT COVER COMP.	1	1	
6	5JW-24741-00	.PAD, SEAT	4	4	
7	4BP-24780-00	SEAT LOCK ASSY	1	1	
8	4BP-24792-00	PLATE	1	1	
9	95707-06500	NUT, FLANGE	2	2	
10	5JW-2478E-00	CABLE, SEAT LOCK	1	1	
11	2TV-W2470-00	SEAT LOCK ASSY	1	1	
12	90149-06308	SCREW	2	2	
13	5JW-2117K-00	STAY, LOCK	1	1	
14	5JW-24773-00-P0	HANDLE, SEAT	1	1	UR DPBMC
	5JW-24773-00-P2	HANDLE, SEAT	1	1	UR DRMD
	5JW-24773-00-P1	HANDLE, SEAT	1	1	UR SM1
15	5JW-2475X-00	.COVER,2	1	1	
16	5JW-2475X-10	.COVER,2	1	1	
17	90109-082A1	BOLT	4	4	
18	90387-09003	COLLAR	2	2	
19	90105-08310	BOLT, FLANGE	1	1	
20	5JW-24723-00	DAMPER, SEAT	1	1	
21	5JW-24724-00	DAMPER, SEAT	1	1	
22	5JW-24737-00	DAMPER, SEAT	1	1	
23	5JW-24737-10	DAMPER, SEAT	1	1	
24	5JW-24747-00	DAMPÉR, SEAT	1	1	

FIG. 31 FRONT WHEEL

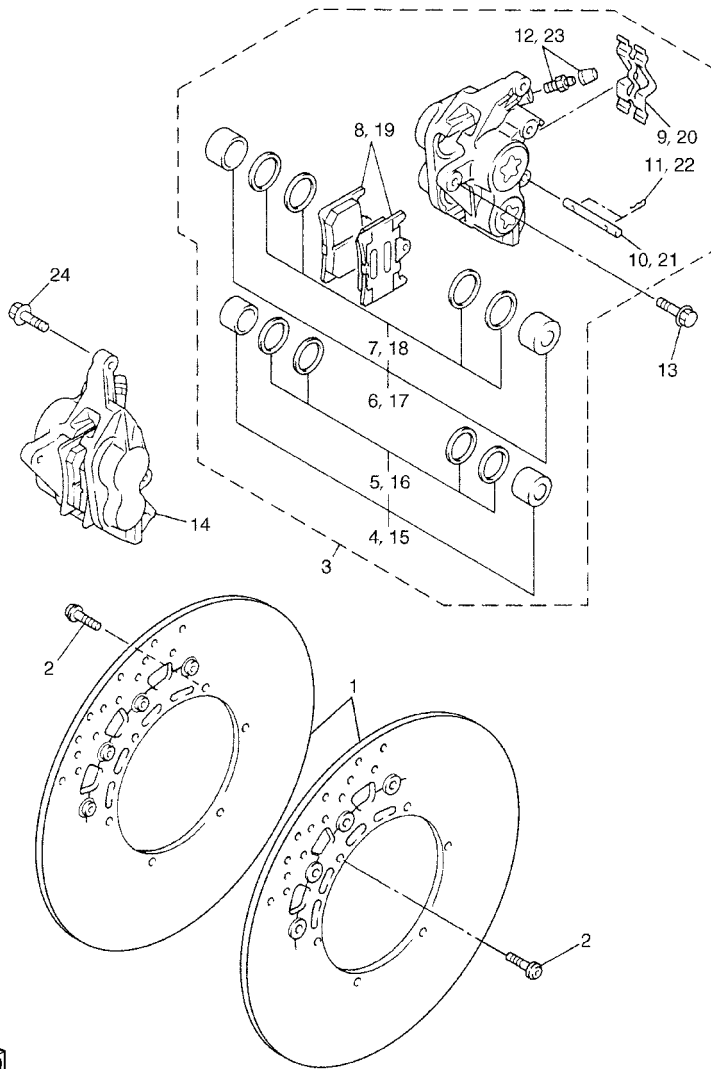


REF. NO.	PART NO.	DESCRIPTION	5JW4	5JW6	REMARKS
1	5JW-25168-01-33	CAST WHEEL, FRONT	1	1	YB
2	4XV-25117-00	SPACER, BEARING	1	1	
3	93306-00420	BEARING (B6004)	2	2	
4	93106-28043	OIL SEAL	2	2	
5	*	TIRE (120/70ZR17M/C 58W MEZ4J)	1	1	UR LM METZELER
	94112-17027	TIRE (120/70ZR17 58W BTO20F)	1	1	UR BRIDGESTONE
6	93900-00030	VALVE, RIM	1	1	
7	5MT-25398-00	BALANCER, WHEEL (10G)	1	1	UN
	5MT-25398-10	BALANCER, WHEEL (20G)	1	1	UN
	5MT-25398-20	BALANCER, WHEEL (30G)	2	2	UN
8	4XV-25181-00	AXLE, WHEEL	1	1	
9	90387-2200T	COLLAR	1	1	
10	5JW-25186-00	COLLAR, WHEEL	1	1	



5JW1300-1311

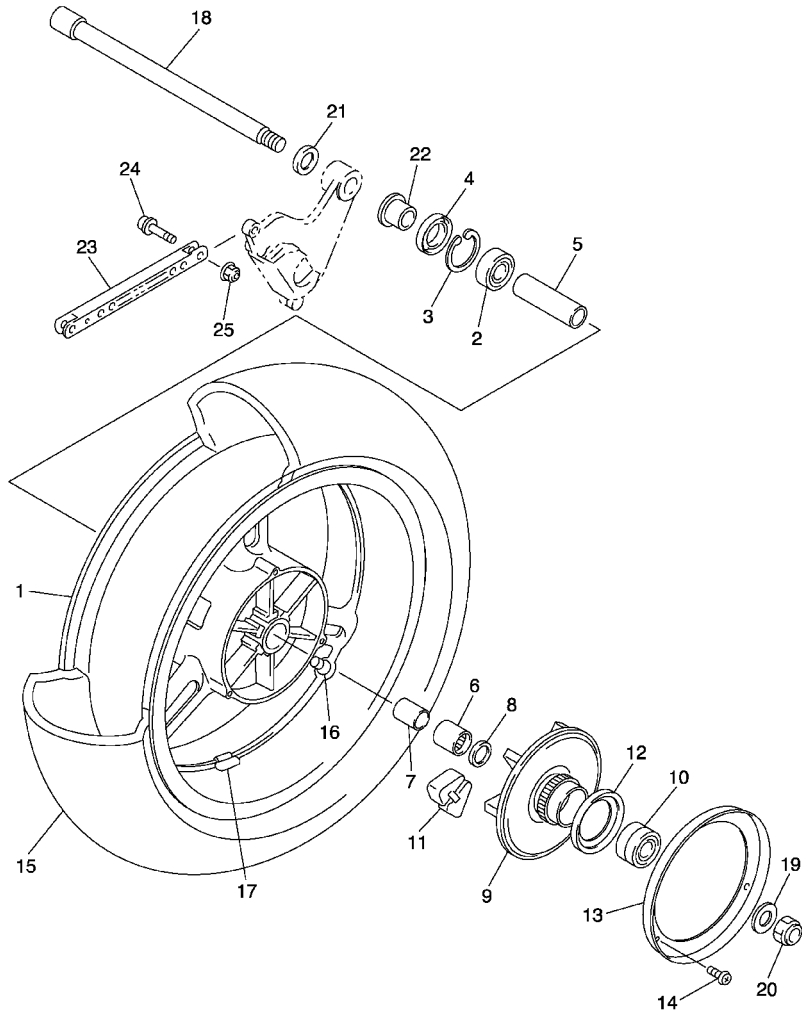
FIG. 32 FRONT BRAKE CALIPER



5JW1300-1320

REF. NO.	PART NO.	DESCRIPTION	5JW4	5JW6	REMARKS
1	4SV-2581T-00	DISC BRAKE ASSY	2	2	
2	90109-064G6	BOLT	12	12	
3	5JJ-2580T-00	CALIPER ASSY (LEFT)	1	1	
4	4SV-W0057-00	.PISTON ASSY, CALIPER	1	1	
5	3MA-W0047-10	..CALIPER SEAL KIT	1	1	
6	4SV-W0057-10	.PISTON ASSY, CALIPER	1	1	
7	3GM-W0047-10	..CALIPER SEAL KIT	1	1	
8	5JJ-W0045-00	.BRAKE PAD KIT	1	1	
9	4SV-25919-00	.SUPPORT, PAD	1	1	
10	4SV-25924-00	.PIN, PAD	1	1	
11	3GM-25925-00	.CLIP	2	2	
12	1J3-W0048-00	.BLEED SCREW KIT	1	1	
13	90105-105A7	BOLT, FLANGE	2	2	
14	5JJ-2580U-00	CALIPER ASSY (RIGHT)	1	1	
15	4SV-W0057-00	.PISTON ASSY, CALIPER	1	1	
16	3MA-W0047-10	..CALIPER SEAL KIT	1	1	
17	4SV-W0057-10	.PISTON ASSY, CALIPER	1	1	
18	3GM-W0047-10	..CALIPER SEAL KIT	1	1	
19	5JJ-W0045-00	.BRAKE PAD KIT	1	1	
20	4SV-25919-00	.SUPPORT, PAD	1	1	
21	4SV-25924-00	.PIN, PAD	1	1	
22	3GM-25925-00	.CLIP	2	2	
23	1J3-W0048-00	.BLEED SCREW KIT	1	1	
24	90105-105A7	BOLT, FLANGE	2	2	

FIG. 33 REAR WHEEL

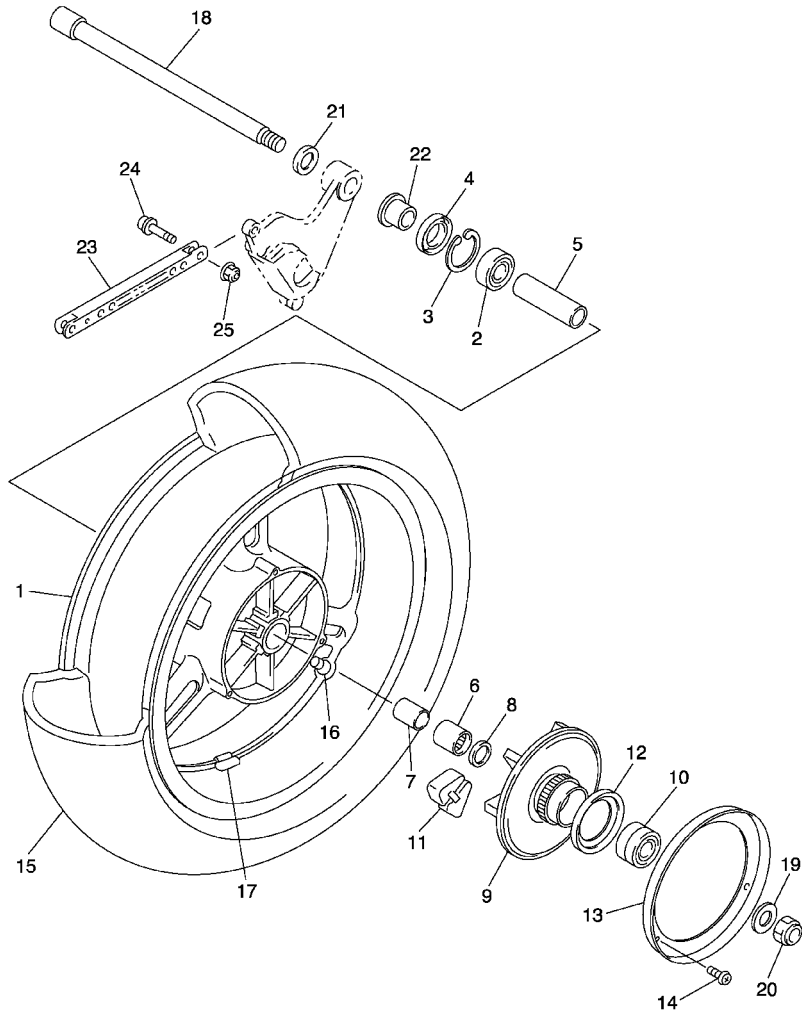



5JW1300-1330

REF. NO.	PART NO.	DESCRIPTION	5JW4	5JW6	REMARKS
1	5JW-25338-01-33	CAST WHEEL, REAR	1	1	YB
2	93306-30446	BEARING	1	1	
3	99009-52500	CIRCLIP	1	1	
4	93102-28023	OIL SEAL	1	1	
5	5JW-25317-00	SPACER, BEARING	1	1	
6	93317-42583	BEARING	1	1	
7	5JW-25383-00	COLLAR, WHEEL	1	1	
8	93101-25104	OIL SEAL	1	1	
9	5JW-25366-00	CLUTCH, HUB	1	1	
10	93306-20476	BEARING	1	1	
11	5JW-25364-00	DAMPER	6	6	
12	5JW-25319-00	SEAL, HUB DUST	1	1	
13	5JW-25327-00	COVER, PLATE	1	1	
14	98507-05010	SCREW, PAN HEAD	3	3	
15	*	TIRE (180/55ZR17M/C 73W MEZ4J)	1	1	UR LM METZELER
	94118-17020	TIRE (180/55ZR17 73W BTO20R)	1	1	UR BRIDGESTONE
16	93900-00030	VALVE, RIM	1	1	
17	5MT-25398-00	BALANCER, WHEEL (10G)	1	1	UN
	5MT-25398-10	BALANCER, WHEEL (20G)	1	1	UN
	5MT-25398-20	BALANCER, WHEEL (30G)	1	1	UN
18	5JW-25381-00	AXLE, WHEEL	1	1	
19	90201-181U5	WASHER, PLATE	1	1	
20	90185-18167	NUT, SELF-LOCKING	1	1	
21	92903-20600	WASHER	1	1	
22	90387-206W8	COLLAR	1	1	
23	5JW-25371-00	BAR, TENSIÓN	1	1	
24	90110-08007	BOLT, HEXAGON SOCKET HEAD	2	2	

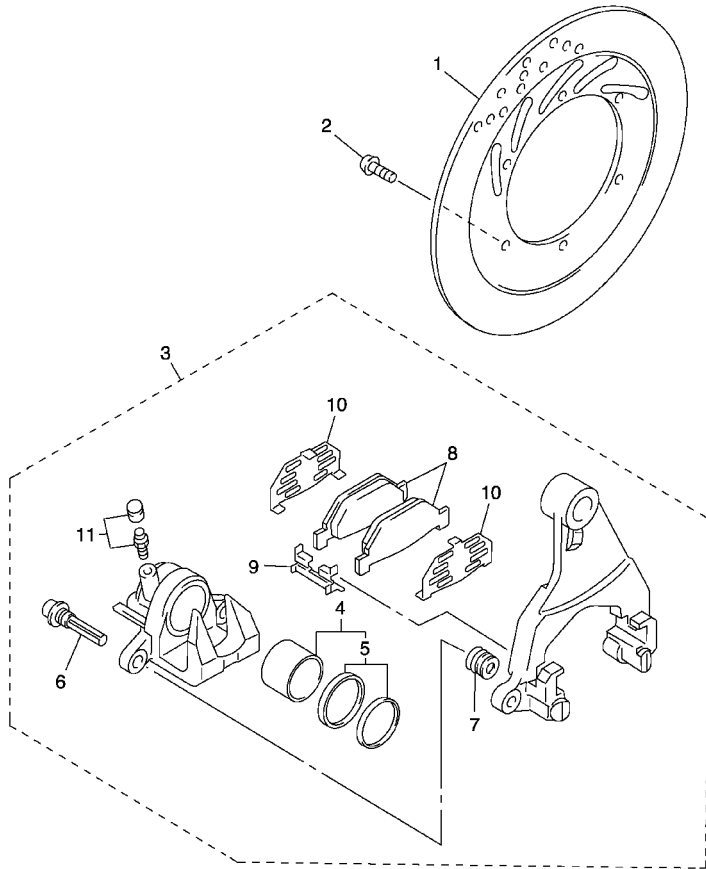
FIG. 33 REAR WHEEL

REF. NO.	PART NO.	DESCRIPTION	5JW4	5JW6				REMARKS
25	95607-08200	NUT, SELF-LOCKING	2	2				
<hr/>								
<hr/>								
<hr/>								
<hr/>								
<hr/>								
<hr/>								
<hr/>								
<hr/>								
<hr/>								
<hr/>								




5JW1300-1330

FIG. 34 REAR BRAKE CALIPER

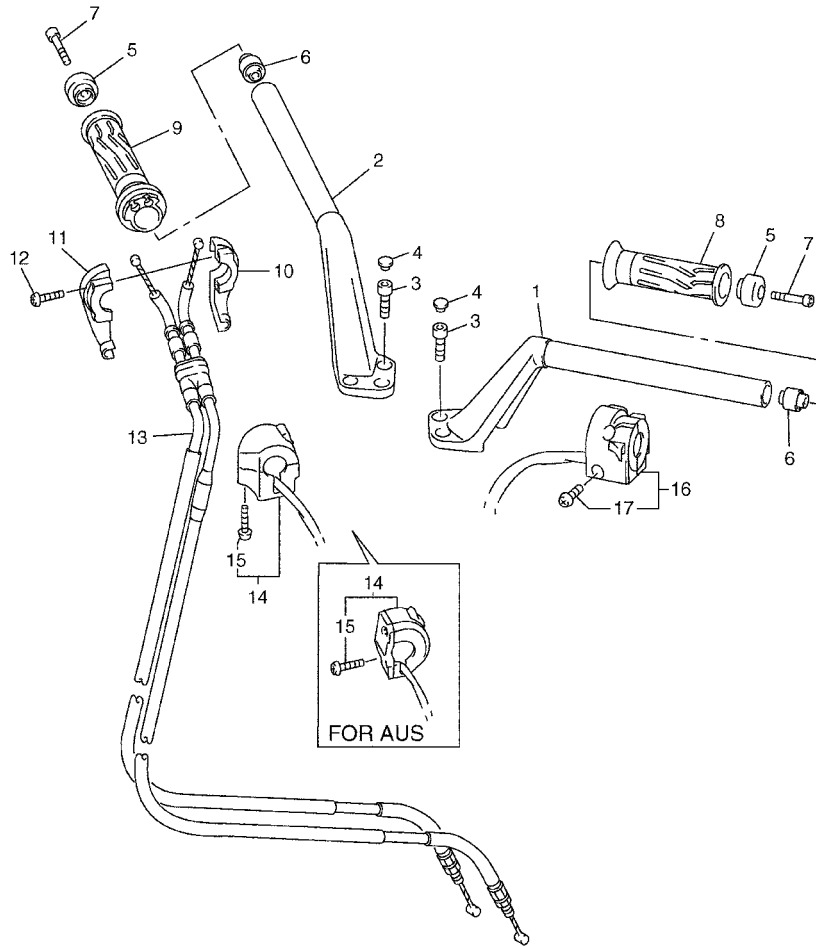


REF. NO.	PART NO.	DESCRIPTION	5JW4	5JW6	REMARKS
1	5EL-2582W-00	DISC, REAR BRAKE 2	1	1	
2	90109-064G6	BOLT	6	6	
3	5JW-2580W-10	CALIPER ASSY, REAR 2	1	1	
4	5JW-W0057-00	.PISTON ASSY, CALIPER	1	1	
5	5JW-W0047-00	..CALIPER SEAL KIT	1	1	
6	5JW-25914-10	.PIN, SLIDE	2	2	
7	4TT-25937-00	.BOOT 2	2	2	
8	5JW-W0046-00	.BRAKE PAD KIT 2	1	1	
9	5JW-25919-00	.SUPPORT, PAD	2	2	
10	5JW-25827-00	.SHIM, CALIPER	2	2	
11	2NL-W0048-50	.BLEED SCREW KIT	1	1	



5JW1300-1340

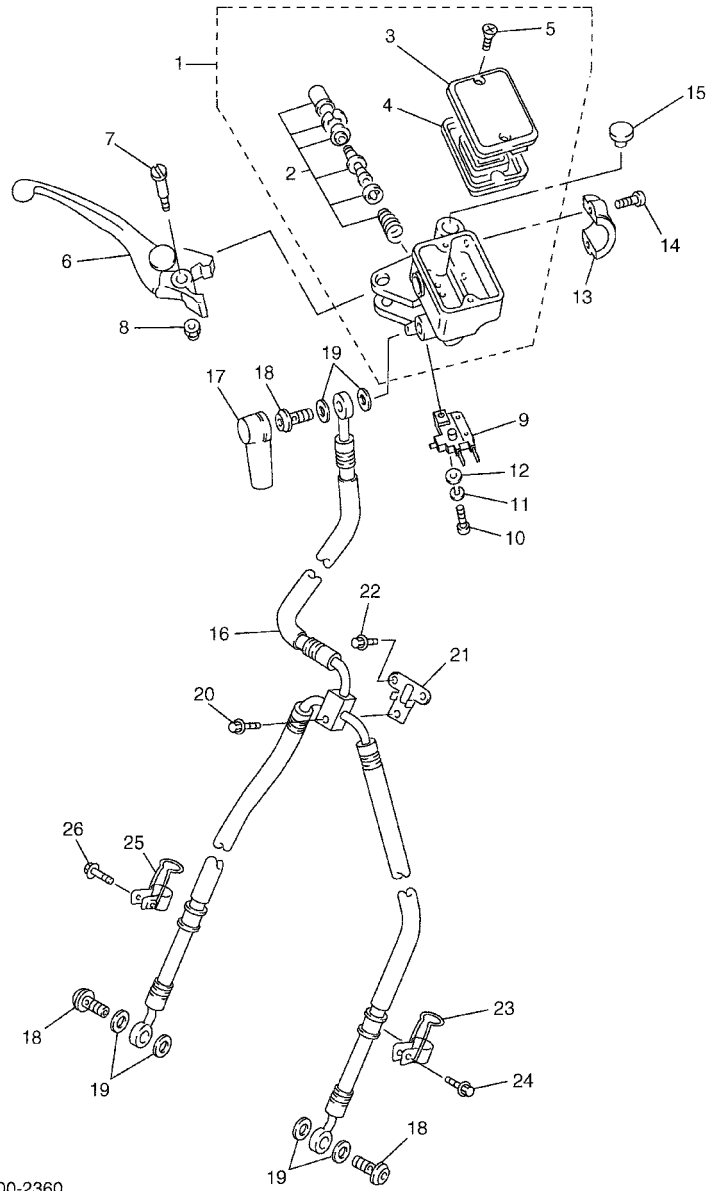
FIG. 35 STEERING HANDLE. CABLE



REF. NO.	PART NO.	DESCRIPTION	5JW4	5JW6	REMARKS
1	5JW-26121-10	HANDLEBAR (LEFT)	1	1	
2	5JW-26122-10	HANDLEBAR (RIGHT)	1	1	
3	91314-08030	BOLT	6	6	
4	90338-08163	PLUG	6	6	
5	4XV-26246-00	END, GRIP	2	2	
6	4XV-23434-00	HOLDER, DAMPER	2	2	
7	91317-06025	BOLT	2	2	
8	5JW-26241-00	GRIP	1	1	
9	5JW-26240-00	GRIP ASSY	1	1	
10	3XW-26281-01	CAP, GRIP UPPER	1	1	
11	3XW-26282-01	CAP, GRIP LOWER	1	1	
12	98507-05035	SCREW, PAN HEAD	2	2	
13	5JW-26302-00	THROTTLE CABLE ASSY	1	1	
14	5DM-83963-01	SWITCH, HANDLE 3 (RIGHT)	1		
	4UN-83975-01	SWITCH, HANDLE 2		1	
15	98507-05045	.SCREW, PAN HEAD	2		
	98507-05022	.SCREW, PAN HEAD		2	
16	5JW-83969-00	SWITCH, HANDLE 5	1	1	
17	98507-05025	.SCREW, PAN HEAD	2	2	

 5JW4300-2350

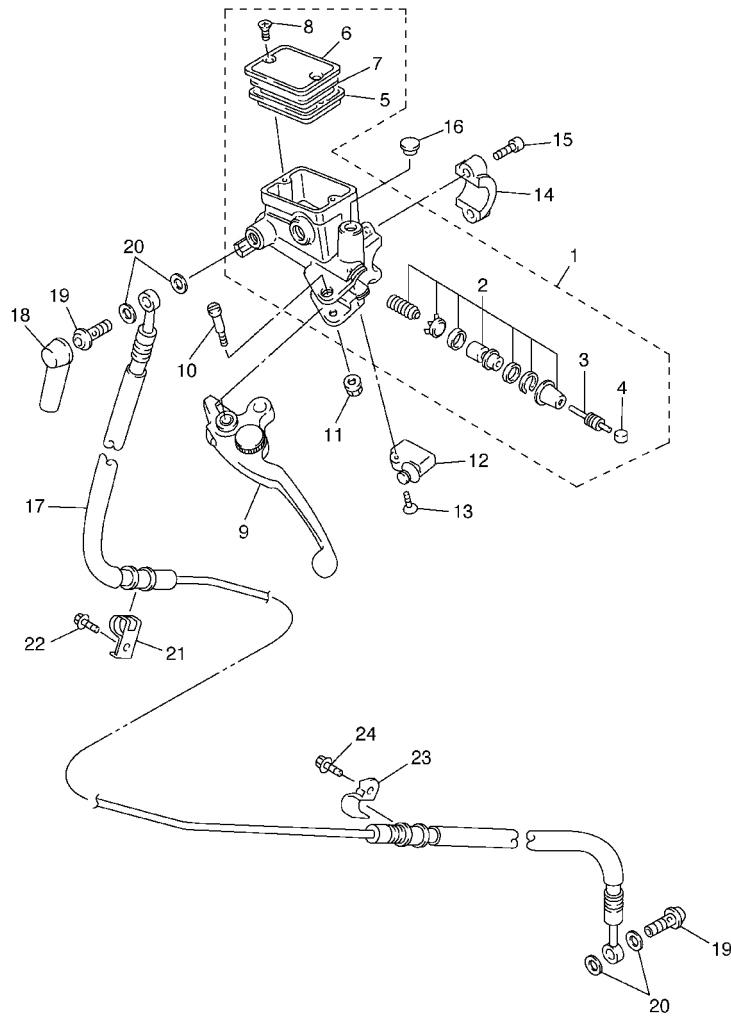
FIG. 36 FRONT MASTER CYLINDER



5JW4300-2360

REF. NO.	PART NO.	DESCRIPTION	5JW4	5JW6	REMARKS
1	5DM-W2587-00	MASTER CYLINDER SUB ASSY	1	1	
2	5DM-W0041-50	.CYLINDER KIT, MASTER	1	1	
3	4HM-W2585-01	.RESERVOIR CAP SET	1	1	
4	4HM-25854-00	.DIAPHRAGM, RESERVOIR	1	1	
5	98706-04012	.SCREW, FLAT HEAD	2	2	
6	5EB-83922-01	LEVER 2	1	1	
7	3FV-2589F-00	BOLT, LEVER	1	1	
8	95606-06100	NUT, U	1	1	
9	4HM-83980-00	FRONT STOP SWITCH ASSY	1	1	
10	98502-04012	SCREW, PAN HEAD	1	1	
11	92902-04100	WASHER, SPRING	1	1	
12	92902-04600	WASHER, PLATE	1	1	
13	4HM-25867-00	BRACKET, MASTER CYLINDER	1	1	
14	91316-06020	BOLT	2	2	
15	90338-09012	PLUG	1	1	
16	5JW-25872-01	HOSE, BRAKE 1	1	1	
17	4L0-25862-01	BOOT, MASTER CYLINDER	1	1	
18	90401-10172	BOLT, UNION	3	3	
19	90201-10118	WASHER, PLATE	6	6	
20	95027-06025	BOLT, FLANGE	1	1	
21	5JW-25886-00	HOLDER, BRAKE HOSE	1	1	
22	95027-06012	BOLT, FLANGE	2	2	
23	4KG-25887-00	HOLDER, BRAKE HOSE	1	1	
24	95024-06025	BOLT, FLANGE	1	1	
25	4KG-25876-00	HOLDER, BRAKE HOSE 2	1	1	
26	95024-06025	BOLT, FLANGE	1	1	

FIG. 37 FRONT MASTER CYLINDER 2

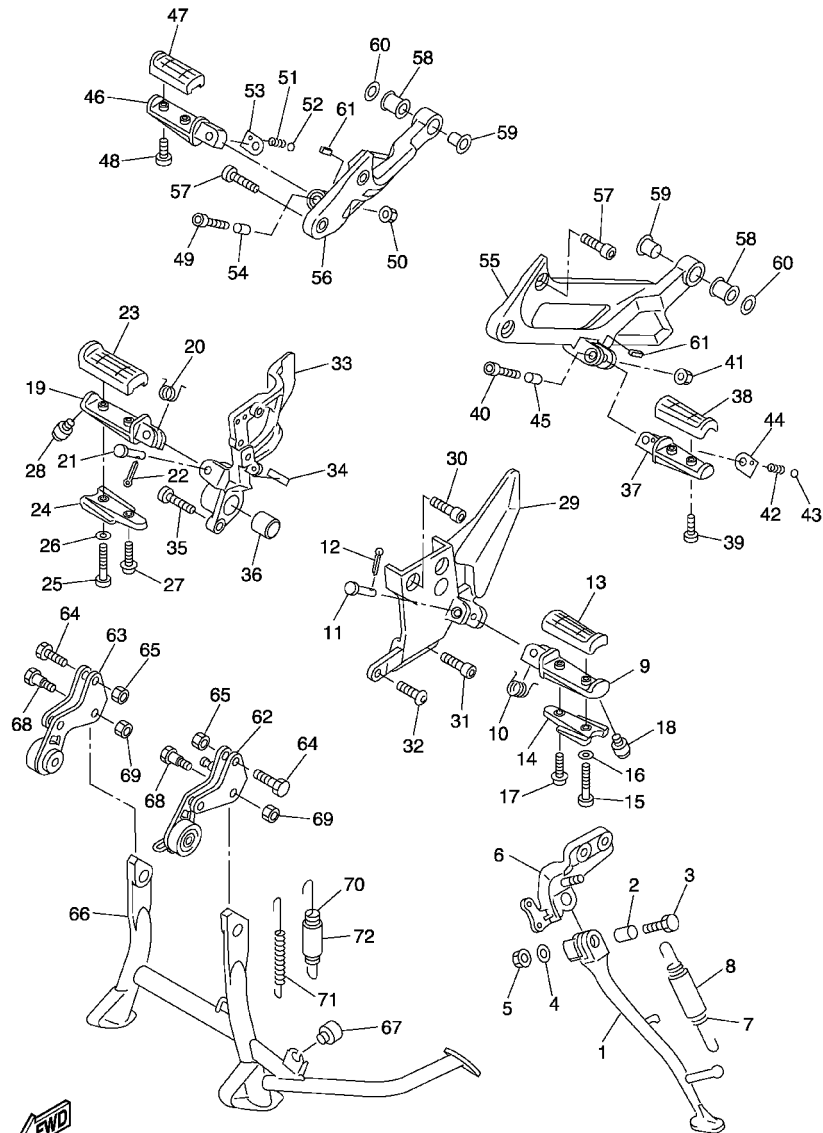


REF. NO.	PART NO.	DESCRIPTION	5JW4	5JW6	REMARKS
1	5JW-W2645-01	MASTER CYLINDER SUB ASSY	1	1	
2	5JW-W0099-00	.CYLINDER KIT, MASTER (CLUTCH)	1	1	
3	3GM-26464-00	.ROD, PUSH	1	1	
4	3GM-26455-00	.BUSH	1	1	
5	4HM-25854-00	.DIAPHRAGM, RESERVOIR	1	1	
6	4HM-25852-01	.CAP, RESERVOIR	1	1	
7	3GM-2585B-10	.PLATE, DIAPHRAGM	1	1	
8	98706-04012	.SCREW, FLAT HEAD	2	2	
9	5EA-83912-00	LEVER 1	1	1	
10	3FV-2589F-00	BOLT, LEVER	1	1	
11	95706-06500	NUT, FLANGE	1	1	
12	3GM-83980-00	FRONT STOP SWITCH ASSY	1	1	
13	98706-04016	SCREW, FLAT HEAD	1	1	
14	4KG-25867-00	BRACKET, MASTER CYLINDER	1	1	
15	91316-06020	BOLT	2	2	
16	90338-09012	PLUG	1	1	
17	5JW-26470-00	HOSE, CLUTCH	1	1	
18	4L0-25862-01	BOOT, MASTER CYLINDER	1	1	
19	90401-10172	BOLT, UNION	2	2	
20	90201-10118	WASHER, PLATE	4	4	
21	5JW-21823-00	CLAMP, HOSE	1	1	
22	95027-06012	BOLT, FLANGE	1	1	
23	5JW-25875-00	HOLDER, BRAKE HOSE 1	1	1	
24	95027-06012	BOLT, FLANGE	1	1	



5JW1300-1371

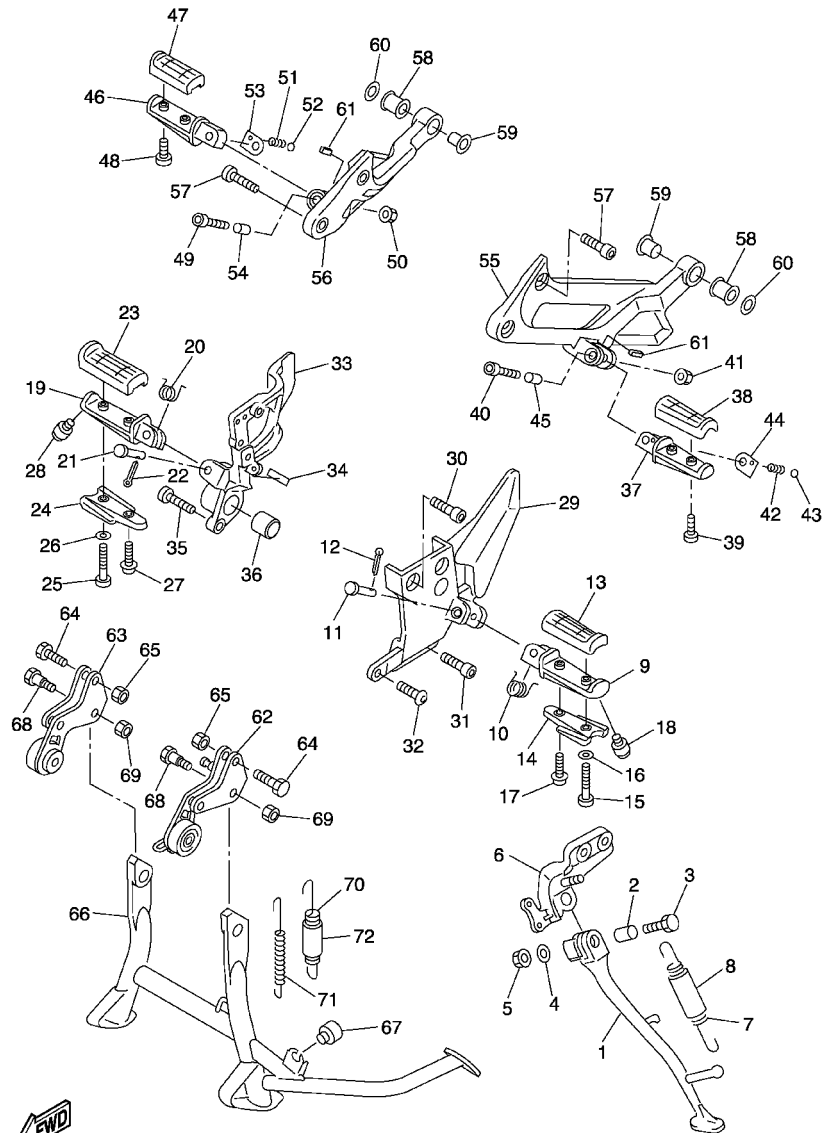
FIG. 38 STAND, FOOTREST



5JW1300-1380

REF. NO.	PART NO.	DESCRIPTION	5JW4	5JW6	REMARKS
1	5JW-27311-00	STAND, SIDE	1	1	
2	90387-10007	COLLAR	1	1	
3	90101-10006	BOLT	1	1	
4	92907-10200	WASHER, PLAIN	1	1	
5	95607-10100	NUT, U	1	1	
6	5JW-27321-00	BRACKET, SIDE STAND	1	1	
7	90506-20008	SPRING, TENSION	1	1	
8	90445-197J2	HOSE (L60)	1	1	
9	4BH-27451-01	FOOTREST	1	1	
10	90508-183B9	SPRING, TORSION	1	1	
11	91701-08040	PIN, CLEVIS	1	1	
12	91401-25015	PIN, COTTER	1	1	
13	3YX-27413-00	COVER, FOOTREST	1	1	
14	5JW-2741A-01	ARM 1	1	1	
15	90159-05187	SCREW, WITH WASHER	1	1	
16	92907-05600	WASHER, PLATE	1	1	
17	90159-05004	SCREW, WITH WASHER	1	1	
18	3HE-27435-00	BOLT	1	1	
19	4BH-27461-01	FOOTREST	1	1	
20	90508-184B0	SPRING, TORSION	1	1	
21	91701-08040	PIN, CLEVIS	1	1	
22	91401-25015	PIN, COTTER	1	1	
23	3YX-27413-00	COVER, FOOTREST	1	1	
24	5JW-2741A-01	ARM 1	1	1	
25	90159-05187	SCREW, WITH WASHER	1	1	
26	92907-05600	WASHER, PLATE	1	1	
27	90159-05004	SCREW, WITH WASHER	1	1	

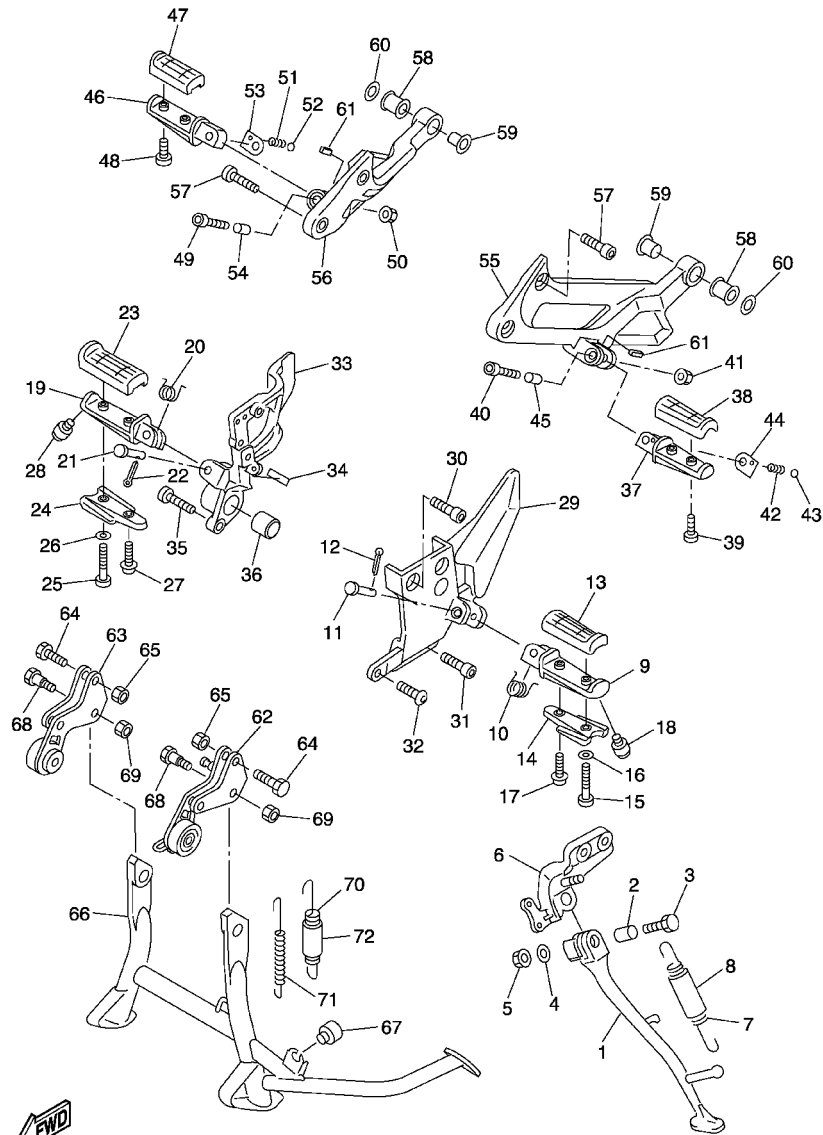
FIG. 38 STAND, FOOTREST



5JW1300-1380

REF. NO.	PART NO.	DESCRIPTION	5JW4	5JW6	REMARKS
28	3HE-27435-00	BOLT	1	1	
29	5JW-27442-00	BRACKET 2	1	1	
30	90109-087F1	BOLT	2	2	
31	90109-10031	BOLT	2	2	
32	90149-10001	SCREW	1	1	
33	5JW-27443-00	BRACKET 3	1	1	
34	3TU-2178A-00	LABEL	1	1	
35	90110-08199	BOLT, HEXAGON SOCKET HEAD	2	2	
36	90380-20213	BUSH, SOLID	1	1	
37	5LV-27431-01	FOOTREST, REAR 1	1	1	
38	3YX-27413-00	COVER, FOOTREST	1	1	
39	90157-05079	SCREW, PAN HEAD	2	2	
40	91314-06040	BOLT	1	1	
41	95604-06200	NUT, U FLANGE	1	1	
42	90501-15001	SPRING, COMPRESSION	1	1	
43	93501-04011	BALL	1	1	
44	5JJ-27437-00	WASHER, SPECIAL	1	1	
45	90387-06014	COLLAR	1	1	
46	5LV-27441-01	FOOTREST, REAR 2	1	1	
47	3YX-27413-00	COVER, FOOTREST	1	1	
48	90157-05079	SCREW, PAN HEAD	2	2	
49	91314-06040	BOLT	1	1	
50	95604-06200	NUT, U FLANGE	1	1	
51	90501-15001	SPRING, COMPRESSION	1	1	
52	93501-04011	BALL	1	1	
53	5JJ-27437-00	WASHER, SPECIAL	1	1	
54	90387-06014	COLLAR	1	1	

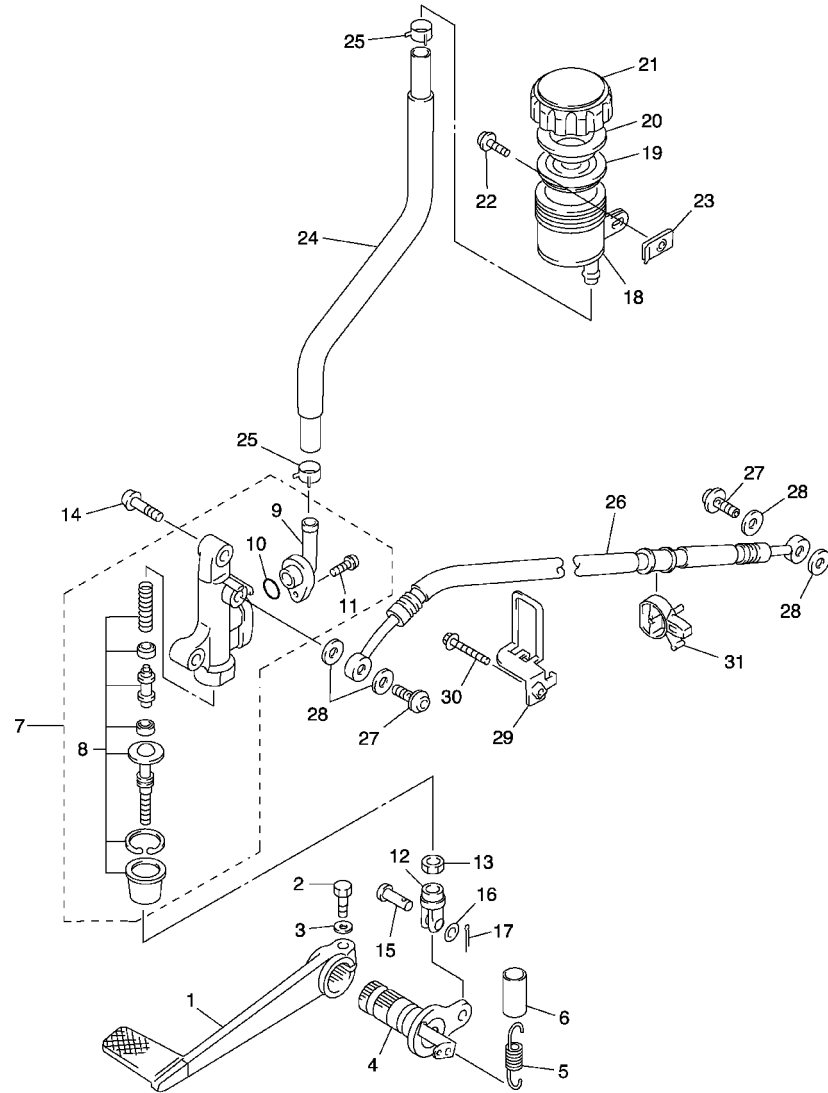
FIG. 38 STAND, FOOTREST



5JW1300-1380

REF. NO.	PART NO.	DESCRIPTION	5JW4	5JW6	REMARKS
55	5JW-2741L-00	BRACKET 4	1	1	
56	5JW-2742L-00	BRACKET 5	1	1	
57	90110-08199	BOLT, HEXAGON SOCKET HEAD	4	4	
58	36Y-27424-00	DAMPER, FOOTREST 2	2	2	
59	90387-104L8	COLLAR	2	2	
60	90201-10669	WASHER, PLATE	2	2	
61	5JW-23844-00	SEAL	2	2	
62	5JW-27151-00	BRACKET, MAIN STAND	1	1	
63	5JW-27152-00	BRACKET, MAIN STAND 2	1	1	
64	90101-10004	BOLT	4	4	
65	95607-10200	NUT, SELF-LOCKING	4	4	
66	5JW-27111-00	STAND, MAIN	1	1	
67	1A0-27114-00	STOPPER, MAIN STAND	1	1	
68	90109-101E6	BOLT	2	2	
69	95607-10200	NUT, SELF-LOCKING	2	2	
70	90506-40001	SPRING, TENSION	1	1	
71	90506-23001	SPRING, TENSION	1	1	
72	90445-170K9	HOSE (L60)	1	1	

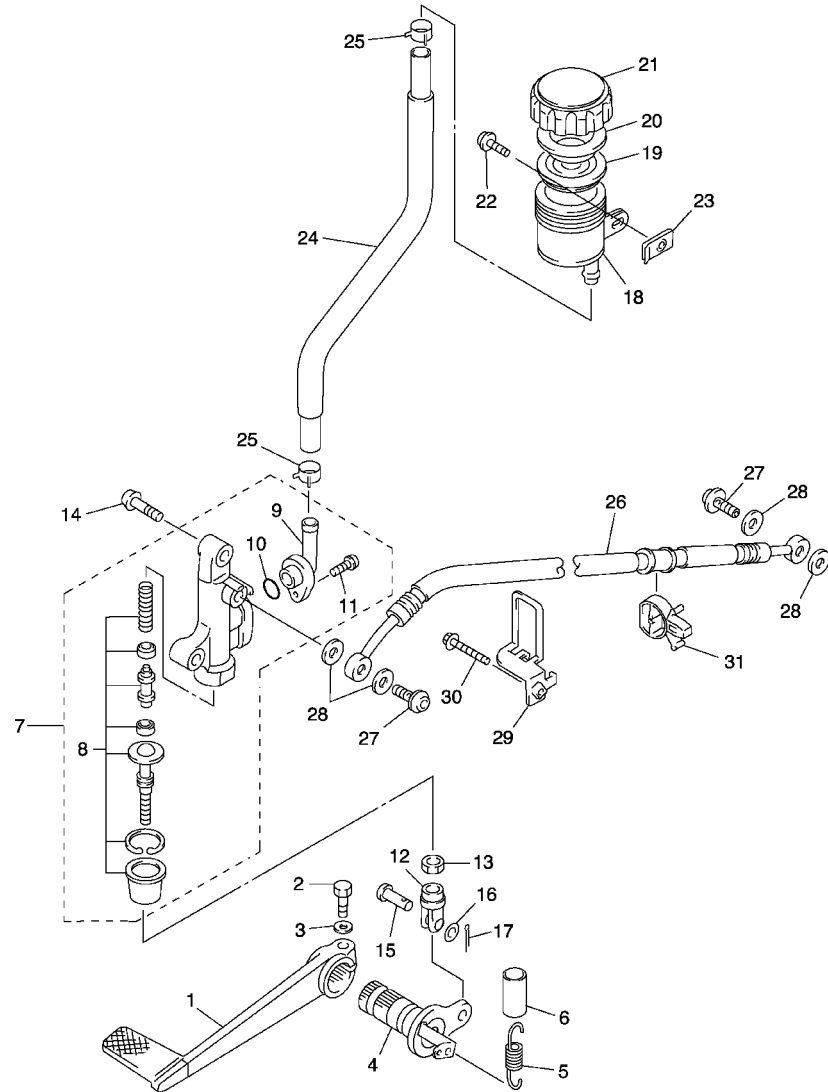
FIG. 39 REAR MASTER CYLINDER




5JW1300-1390

REF. NO.	PART NO.	DESCRIPTION	5JW4	5JW6	REMARKS
1	5JW-27211-00	PEDAL, BRAKE	1	1	
2	90109-06468	BOLT	1	1	
3	92990-06600	WASHER, PLATE	1	1	
4	5JW-27212-00	SHAFT, BRAKE PEDAL	1	1	
5	90506-25001	SPRING, TENSION	1	1	
6	90446-17346	HOSE	1	1	
7	5JW-2583V-00	RR. MASTER CYLINDER ASSY.	1	1	
8	5JW-W0042-50	.CYLINDER KIT, MASTER	1	1	
9	3LN-2582A-00	.JOINT	1	1	
10	3LN-2585F-00	.O-RING	1	1	
11	3LN-2585H-00	.SCREW,SET	1	1	
12	4XV-27222-01	JOINT	1	1	
13	95307-08700	NUT	1	1	
14	92017-08030	BOLT, BUTTON HEAD	2	2	
15	91701-06018	PIN, CLEVIS	1	1	
16	92907-06200	WASHER	1	1	
17	91401-16012	PIN, COTTER	1	1	
18	31A-25894-01	TANK, RESERVOIR	1	1	
19	360-25854-01	DIAPHRAGM, RESERVOIR	1	1	
20	2GU-25855-00	BUSH,DIAPHRAGM	1	1	
21	2KF-25852-50	CAP, RESERVOIR	1	1	
22	90159-06085	SCREW, WITH WASHER	1	1	
23	90183-06053	NUT, SPRING	1	1	
24	5JW-25895-00	HOSE, RESERVOIR	1	1	
25	90467-14057	CLIP	2	2	
26	5JW-2581K-00	HOSE, BRAKE 5	1	1	
27	90401-10172	BOLT, UNION	2	2	

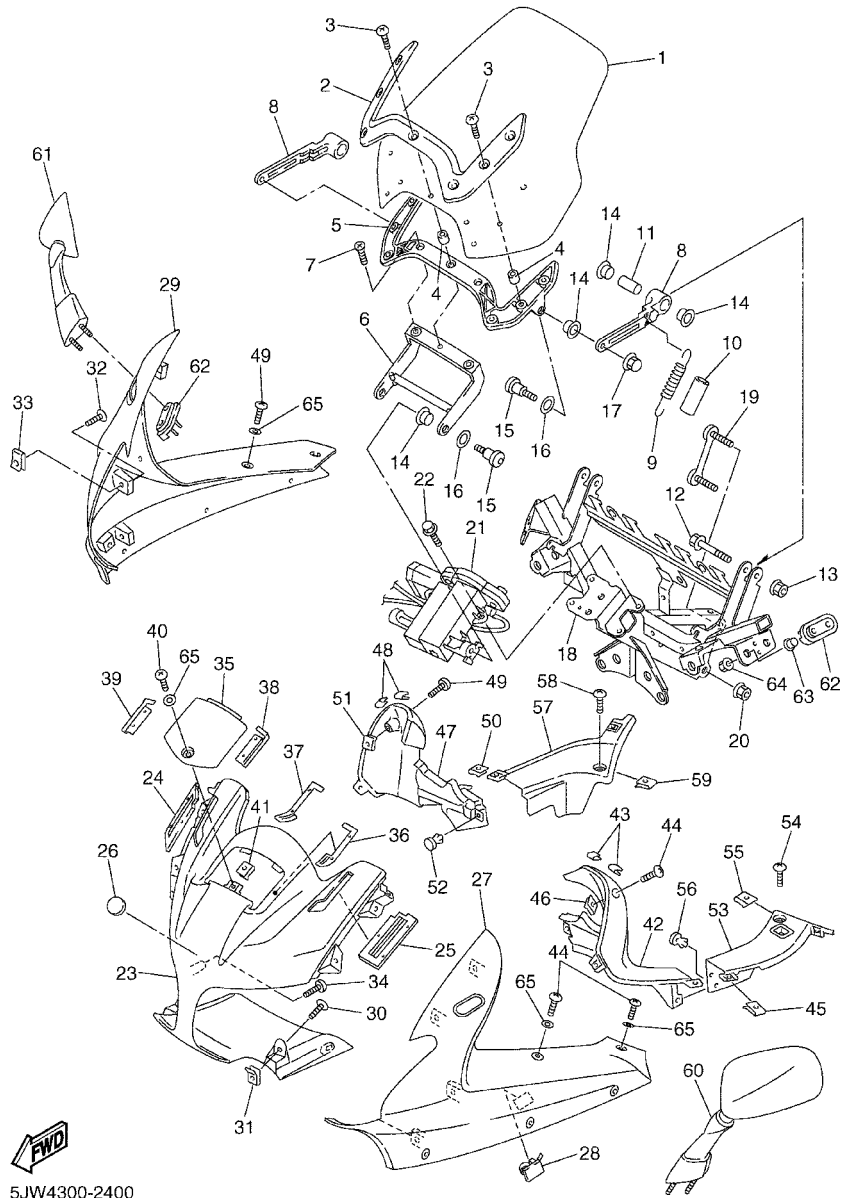
FIG. 39 REAR MASTER CYLINDER



 5JW1300-1390

REF. NO.	PART NO.	DESCRIPTION	5JW4	5JW6	REMARKS
28	90201-10118	WASHER, PLATE	4	4	
29	5JW-25876-00	HOLDER, BRAKE HOSE 2	1	1	
30	95027-06030	BOLT, FLANGE	1	1	
31	90464-23239	CLAMP	1	1	

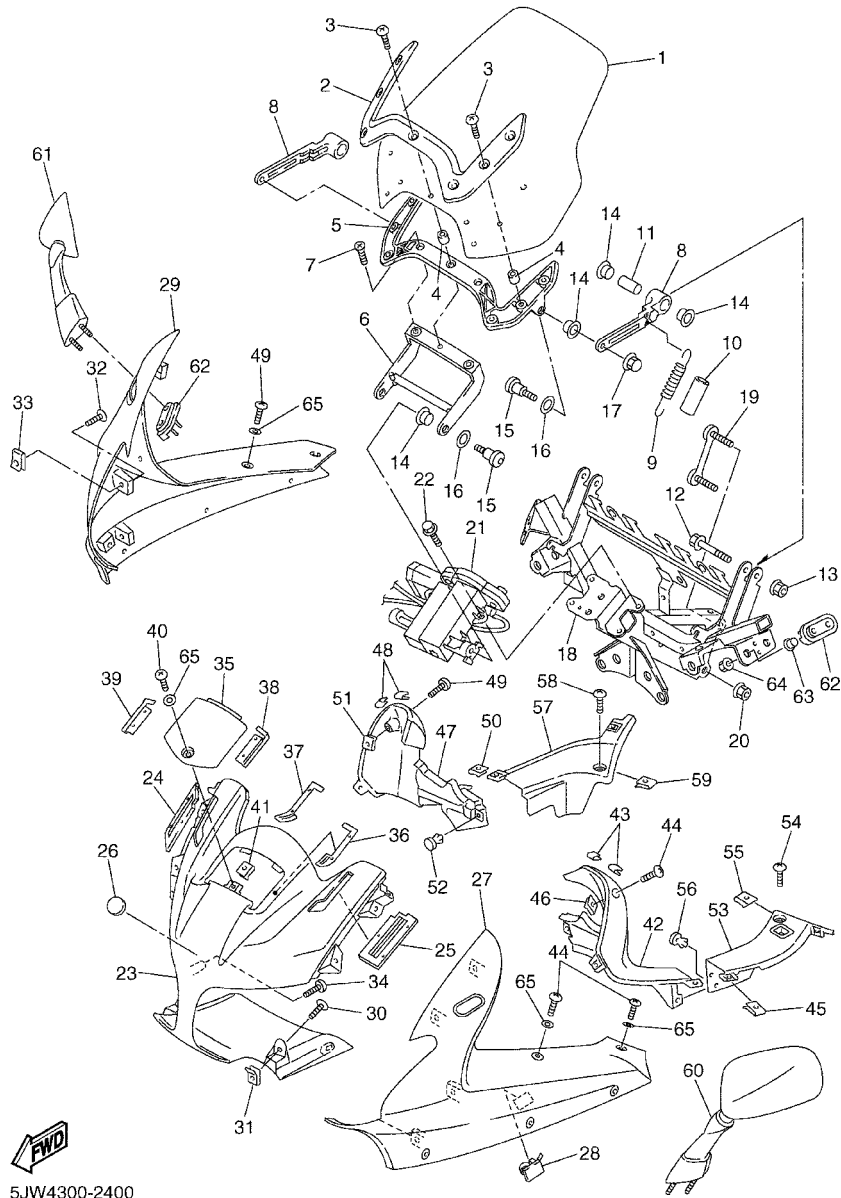
FIG. 40 COWLING 1



5JW4300-2400

REF. NO.	PART NO.	DESCRIPTION	5JW4	5JW6	REMARKS
1	5JW-28381-00	WINDSHIELD	1	1	
2	5JW-28323-00	WASHER, LEG SHIELD	1	1	
3	5JW-28354-00	SCREW, COWLING 1	7	7	
4	90179-05523	NUT	7	7	
5	5JW-28322-00	STAY 2	1	1	
6	5JW-28332-00	STAY, LEG SHIELD	1	1	
7	90151-06036	SCREW, COUNTERSUNK	2	2	
8	5JW-2833C-00	LINK 1	2	2	
9	90506-16482	SPRING, TENSION	2	2	
10	90445-163H7	HOSE (L35)	2	2	
11	90387-06605	COLLAR	2	2	
12	95807-06040	BOLT, FLANGE	2	2	
13	95607-06200	NUT, SELF U-FLANGE	2	2	
14	5JW-28329-00	SPACER	8	8	
15	5JW-28374-00	BOLT, COWLING	4	4	
16	90202-10044	WASHER, PLATE	4	4	
17	90176-06082	NUT, CROWN	2	2	
18	5JW-28356-00	STAY 1	1	1	
19	5JW-28336-00	PLATE	1	1	
20	95707-10500	NUT, FLANGE	2	2	
21	5JW-83306-00	DRIVE UNIT ASSY	1	1	
22	95027-06014	BOLT, FLANGE	4	4	
23	5JW-28351-00-P0	BODY, COWLING	1	1	UR DPBMC
	5JW-28351-00-P2	BODY, COWLING	1	1	UR DRMD
	5JW-28351-00-P1	BODY, COWLING	1	1	UR SM1
24	5JW-28428-00	SEAL 1	1	1	
25	5JW-28429-00	SEAL 2	1	1	

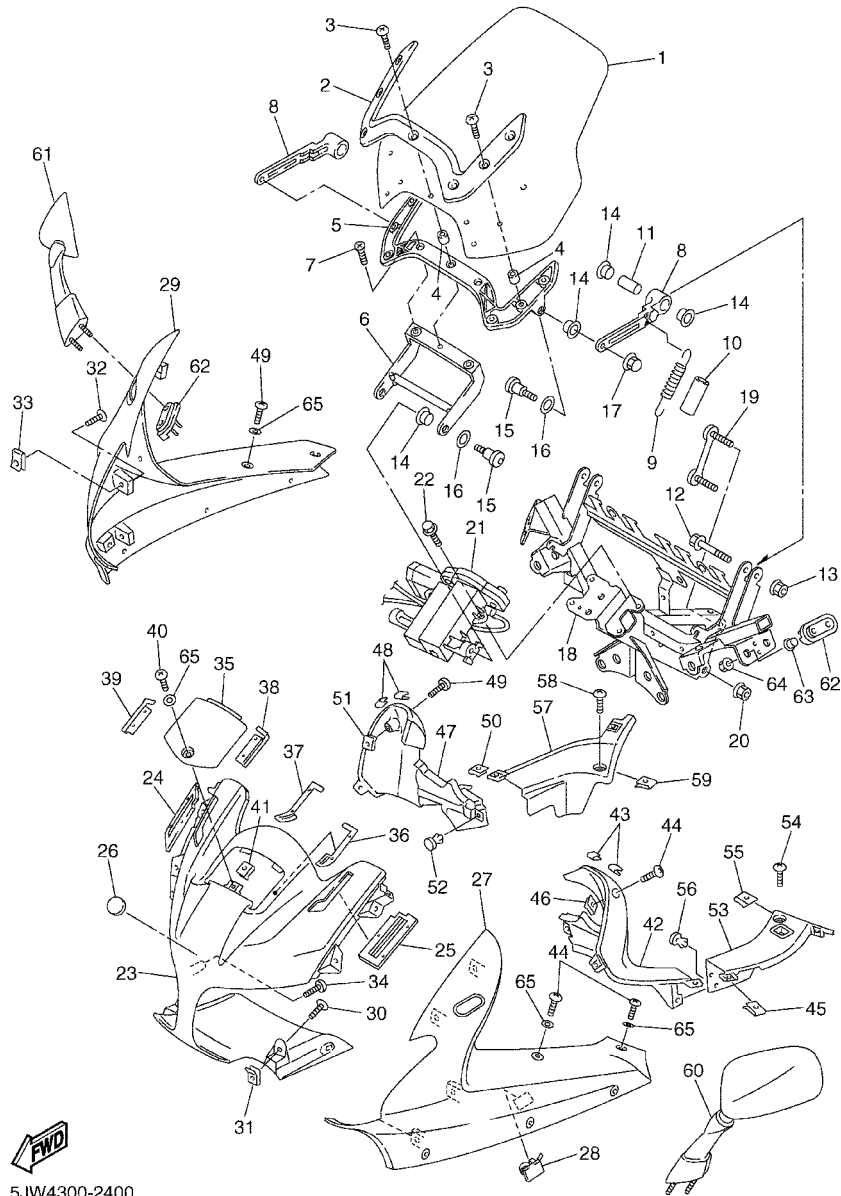
FIG. 40 COWLING 1



5JW4300-2400

REF. NO.	PART NO.	DESCRIPTION	5JW4	5JW6	REMARKS
26	5LV-2836B-01	TUNING FORK MARK	1	1	
27	5JW-2835G-00-P0	BODY, FRONT UPPER 1	1	1	UR DPBMC
	5JW-2835G-00-P2	BODY, FRONT UPPER 1	1	1	UR DRMD
	5JW-2835G-00-P1	BODY, FRONT UPPER 1	1	1	UR SM1
28	90464-25160	CLAMP	1	1	
29	5JW-2835H-00-P0	BODY, FRONT UPPER 2	1	1	UR DPBMC
	5JW-2835H-00-P2	BODY, FRONT UPPER 2	1	1	UR DRMD
	5JW-2835H-00-P1	BODY, FRONT UPPER 2	1	1	UR SM1
30	90111-05003	BOLT	6	6	
31	90183-05024	NUT, SPRING	6	6	
32	90111-05003	BOLT	4	4	
33	90183-05024	NUT, SPRING	4	4	
34	97707-50016	SCREW, TAPPING	1	1	
35	5JW-28365-00-P0	COVER	1	1	UR DPBMC
	5JW-28365-00-P2	COVER	1	1	UR DRMD
	5JW-28365-00-P1	COVER	1	1	UR SM1
36	5JW-2844E-00	SEAL 3	1	1	
37	5JW-2846F-00	SEAL 4	1	1	
38	5JW-2847F-00	SEAL 5	1	1	
39	5JW-2848F-00	SEAL 6	1	1	
40	90111-05003	BOLT	1	1	
41	90183-05061	NUT, SPRING	1	1	
42	5JW-2837L-00	PANEL, CONSOLE 1	1	1	
43	5JW-23844-00	SEAL	2	2	
44	90111-05003	BOLT	3	3	
45	90183-05024	NUT, SPRING	2	2	
46	90183-05061	NUT, SPRING	1	1	

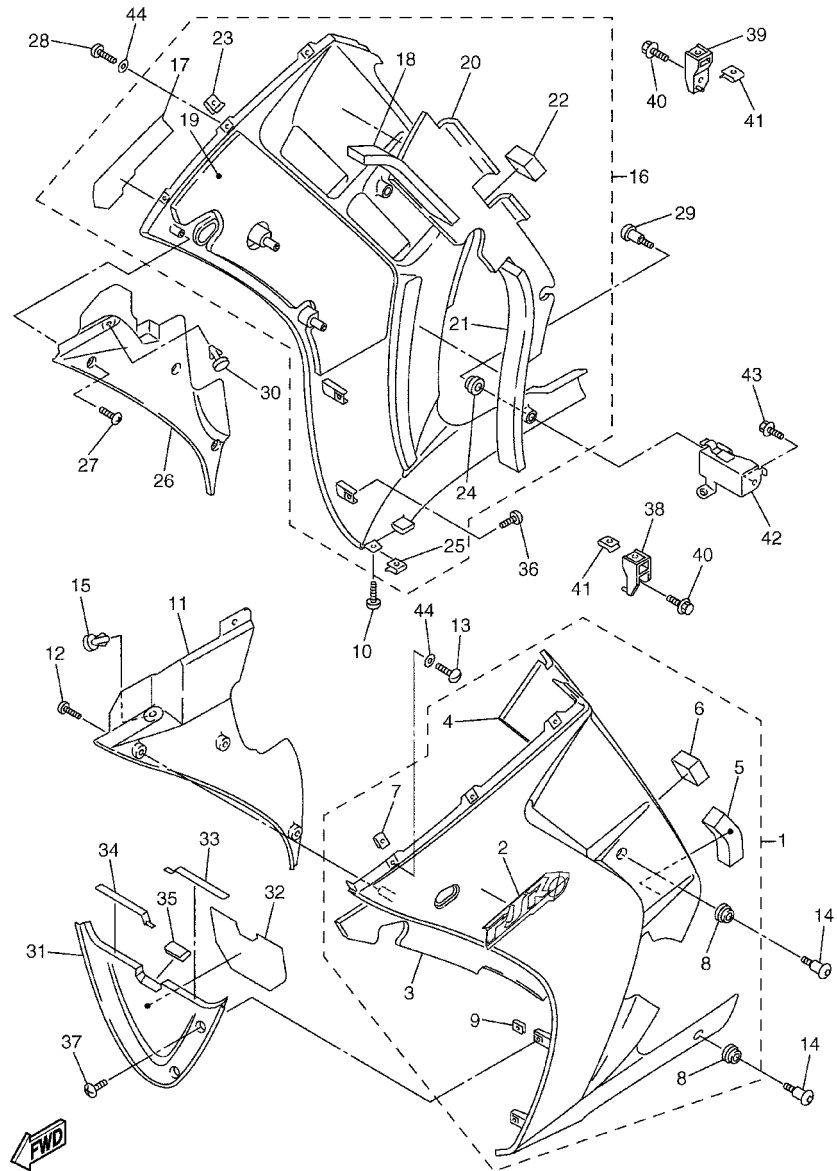
FIG. 40 COWLING 1



5JW4300-2400

REF. NO.	PART NO.	DESCRIPTION	5JW4	5JW6	REMARKS
47	5JW-2837M-00	PANEL, CONSOLE 2	1	1	
48	5JW-23844-00	SEAL	2	2	
49	90111-05003	BOLT	3	3	
50	90183-05024	NUT, SPRING	2	2	
51	90183-05061	NUT, SPRING	1	1	
52	90269-07006	RIVET	1	1	
53	5JW-2836M-00	PANEL, INNER 3	1	1	
54	90111-05003	BOLT	2	2	
55	90183-05024	NUT, SPRING	1	1	
56	90269-07076	RIVET	2	2	
57	5JW-2836N-00	PANEL, INNER 4	1	1	
58	90111-05003	BOLT	2	2	
59	90183-05024	NUT, SPRING	1	1	
60	5JW-26280-00	REAR VIEW MIRROR ASSY (LEFT)	1	1	
61	5JW-26290-00	REAR VIEW MIRROR ASSY (RIGHT)	1	1	
62	5JW-26298-00	PLATE, MIRROR FITTING 1	2	2	
63	90387-062X0	COLLAR	4	4	
64	95707-06500	NUT, FLANGE	4	4	
65	90202-05180	WASHER, PLATE	7	7	

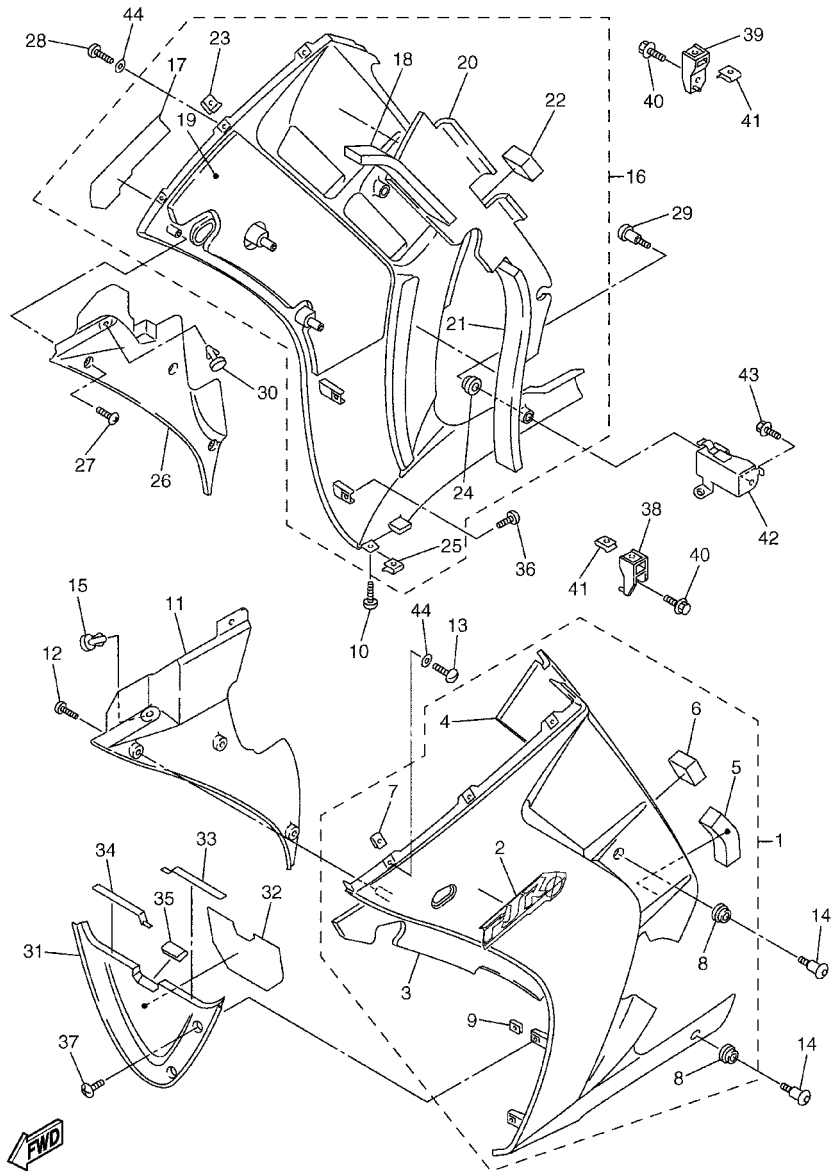
FIG. 41 COWLING 2



5JW4300-2410

REF. NO.	PART NO.	DESCRIPTION	5JW4	5JW6	REMARKS
1	5JW-Y283J-10-P0	BODY, FRONT LOWER 1	1	1	UR DPBMC
	5JW-Y283J-30-P2	BODY, FRONT LOWER 1	1	1	UR DRMD
	5JW-Y283J-20-P1	BODY, FRONT LOWER 1	1	1	UR SM1
2	5JW-28328-10	.EMBLEM	1	1	UR FOR DPBMC
	5JW-28328-30	.EMBLEM	1	1	UR FOR DRMD
	5JW-28328-20	.EMBLEM	1	1	UR FOR SM1
3	5JW-28415-00	.DAMPER 1	1	1	
4	5JW-28416-00	.DAMPER 2	1	1	
5	5JW-2834E-00	.DAMPER	1	1	
6	5JW-28371-00	.DAMPER	1	1	
7	90183-05024	.NUT, SPRING	3	3	
8	90480-13398	.GROMMET	2	2	
9	90183-05024	.NUT, SPRING	2	2	
10	90111-05003	BOLT	1	1	
11	5JW-2836K-00	PANEL, INNER 1	1	1	
12	97707-40012	SCREW, TAPPING	3	3	
13	90111-05003	BOLT	3	3	
14	90109-06037	BOLT	2	2	
15	90269-07076	RIVET	1	1	
16	5JW-Y283K-10-P0	BODY, FRONT LOWER 2	1	1	UR DPBMC
	5JW-Y283K-30-P2	BODY, FRONT LOWER 2	1	1	UR DRMD
	5JW-Y283K-20-P1	BODY, FRONT LOWER 2	1	1	UR SM1
17	5JW-28328-10	.EMBLEM	1	1	UR FOR DPBMC
	5JW-28328-30	.EMBLEM	1	1	UR FOR DRMD
	5JW-28328-20	.EMBLEM	1	1	UR FOR SM1
18	5EA-2174Y-00	.DAMPÉR	1	1	
19	5JW-28415-10	.DAMPER 1	1	1	

FIG. 41 COWLING 2

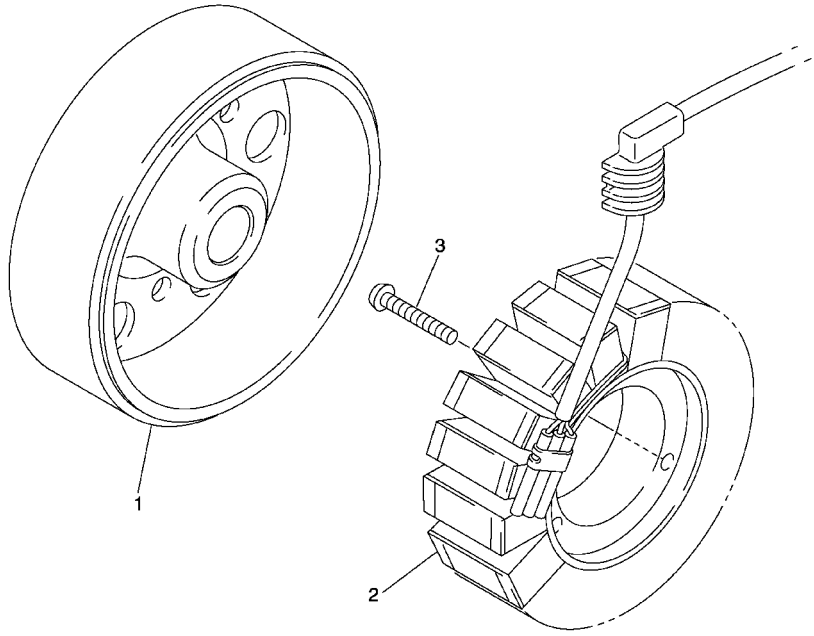


5JW4300-2410

REF. NO.	PART NO.	DESCRIPTION	5JW4	5JW6	REMARKS
20	5JW-28416-10	.DAMPER 2	1	1	
21	5JW-2834F-00	.DAMPER	1	1	
22	5JW-28371-00	.DAMPER	1	1	
23	90183-05024	.NUT, SPRING	3	3	
24	90480-13398	.GROMMET	2	2	
25	90183-05024	.NUT, SPRING	1	1	
26	5JW-2836L-00	PANEL, INNER 2	1	1	
27	97707-40012	SCREW, TAPPING	3	3	
28	90111-05003	BOLT	3	3	
29	90109-06037	BOLT	2	2	
30	90269-07076	RIVET	1	1	
31	5JW-28385-10-P1	COVER, LOWER	1	1	UR DPBMC
	5JW-28385-10-P0	COVER, LOWER	1	1	UR DRMD
	5JW-28385-10-P2	COVER, LOWER	1	1	UR SM1
32	5JW-2848H-00	SEAT	1	1	
33	5JW-2848K-00	SEAT 2	1	1	
34	5JW-2848L-00	SEAT 3	1	1	
35	5JW-28345-00	MOLE 1	1	1	
36	97707-50016	SCREW, TAPPING	2	2	
37	90111-05003	BOLT	2	2	
38	5JW-2836A-00	BRACKET 1	1	1	
39	5JW-2836E-00	BRACKET 2	1	1	
40	90119-06117	BOLT, WITH WASHER	2	2	
41	90183-05024	NUT, SPRING	2	2	
42	5JW-2836F-00	BRACKET 3	1	1	
43	95807-06012	BOLT, FLANGE	1	1	
44	90202-05180	WASHER, PLATE	8	8	

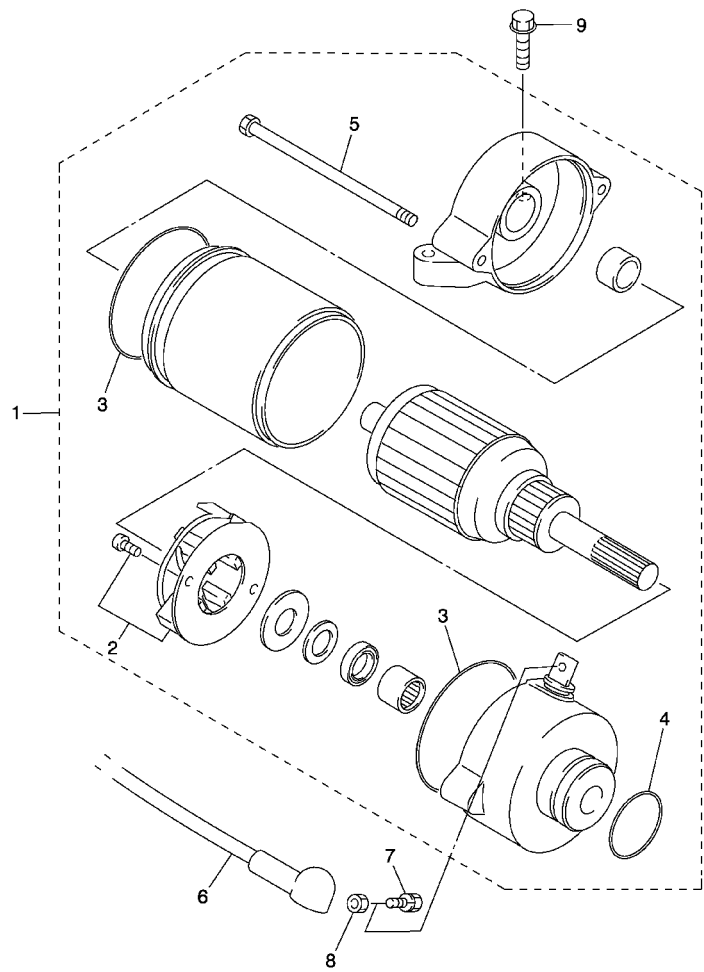
FIG. 42 GENERATOR

REF. NO.	PART NO.	DESCRIPTION	5JW4	5JW6				REMARKS
1	5JW-81450-00	ROTOR ASSY	1	1				
2	5JW-81410-00	STATOR ASSY	1	1				
3	90149-06019	SCREW	3	3				




 5JW1300-1420

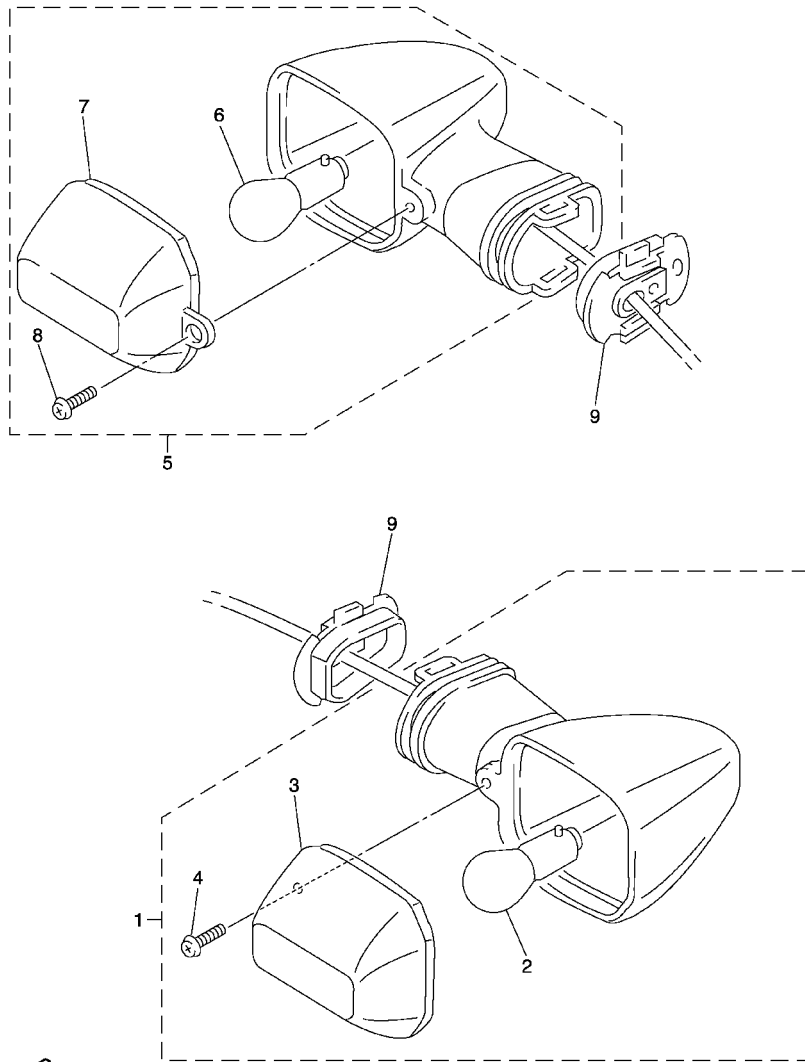
FIG. 43 STARTING MOTOR



REF. NO.	PART NO.	DESCRIPTION	5JW4	5JW6	REMARKS
1	5JW-81890-00	MOTOR ASSY	1	1	
2	5JW-81801-00	.BRUSH SET	1	1	
3	93210-55669	.O-RING	2	2	
4	93210-25711	.O-RING	1	1	
5	5JW-81846-00	.SCREW	2	2	
6	5JW-8183G-00	CORD COMP.	1	1	
7	5JJ-81828-00	BOLT 2	1	1	
8	95307-05700	NUT	1	1	
9	91317-06025	BOLT	2	2	

FWD
5JW1300-1430

FIG. 44 FLASHER LIGHT

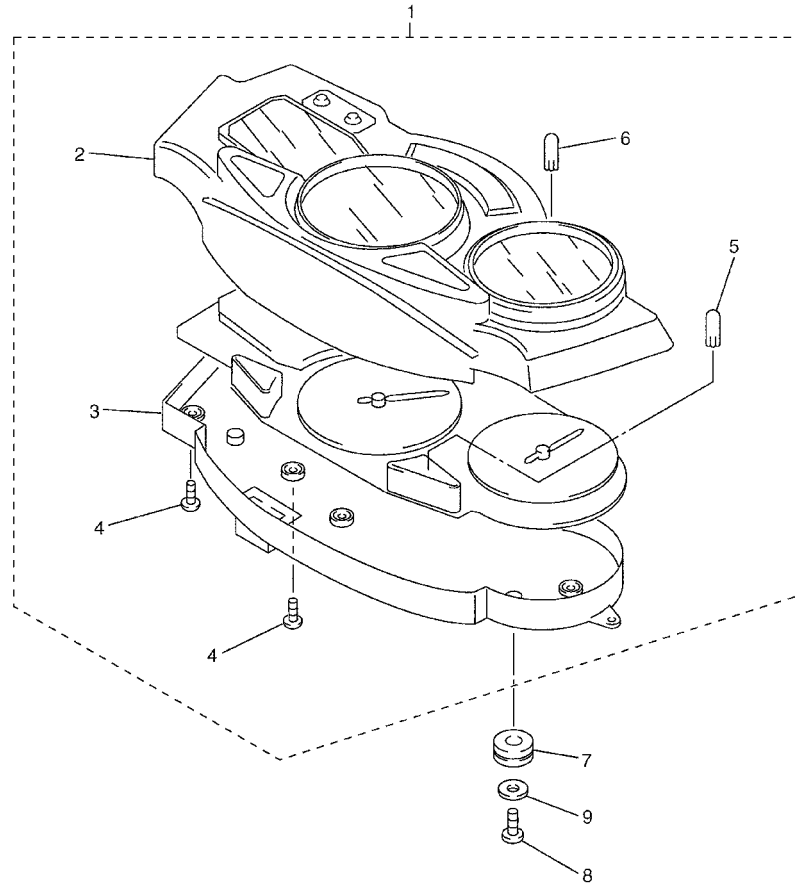


REF. NO.	PART NO.	DESCRIPTION	5JW4	5JW6	REMARKS
1	5DM-83310-00	FRONT FLASHER LIGHT ASSY 1	1	1	
2	306-83311-40	.BULB, FLASHER (12V-21W)	1	1	
3	4JH-83332-00	.LENS, FLASHER	1	1	
4	97702-40610	.SCREW, TAPPING	1	1	
5	5DM-83320-00	FRONT FLASHER LIGHT ASSY 2	1	1	
6	306-83311-40	.BULB, FLASHER (12V-21W)	1	1	
7	4JH-83342-00	.LENS, FLASHER 2	1	1	
8	97702-40610	.SCREW, TAPPING	1	1	
9	5DM-8331L-00	PLATE, STOPPER	2	2	



5JW1300-1440

FIG. 45 METER

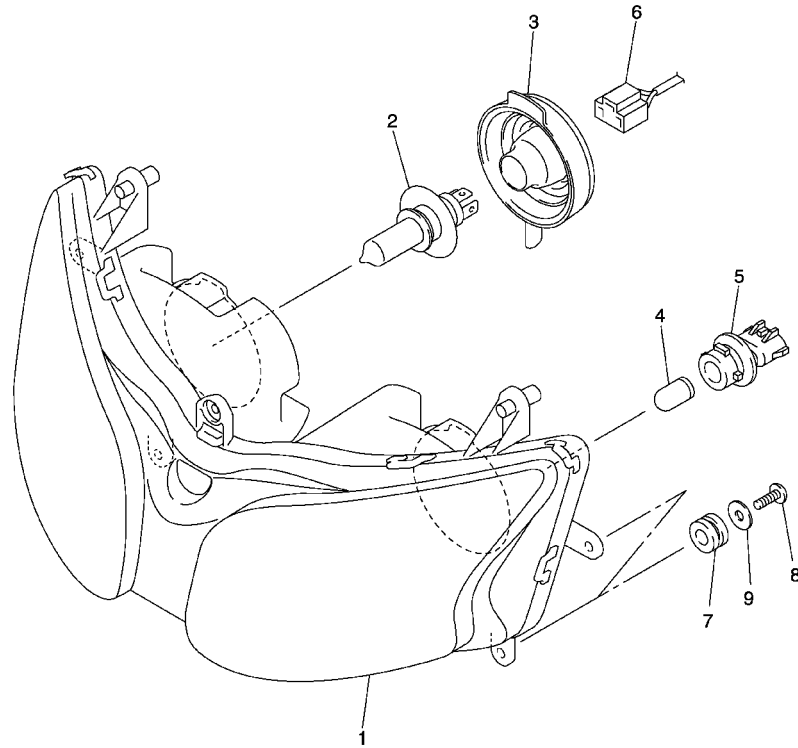


REF. NO.	PART NO.	DESCRIPTION	5JW4	5JW6	REMARKS
1	5JW-83500-20	SPEEDOMETER ASSY (KM/H)	1	1	
	5JW-83500-12	SPEEDOMETER ASSY (MPH)	1		
2	5JW-8353E-00	.CASE, METER UPPER	1	1	
3	5JW-83572-00	.CASE, SPEEDOMETER LOWER	1	1	
4	97707-40016	.SCREW, TAPPING	10	10	
5	4YR-83517-10	.BULB (12V-2W T5)	2	2	
6	4WM-83517-10	.BULB (T3.4 12V-80mA)	8	8	
7	4XV-83513-00	DAMPER	3	3	
8	97707-50016	SCREW, TAPPING	3	3	
9	90201-05725	WASHER, PLATE	3	3	



5JW4300-2450

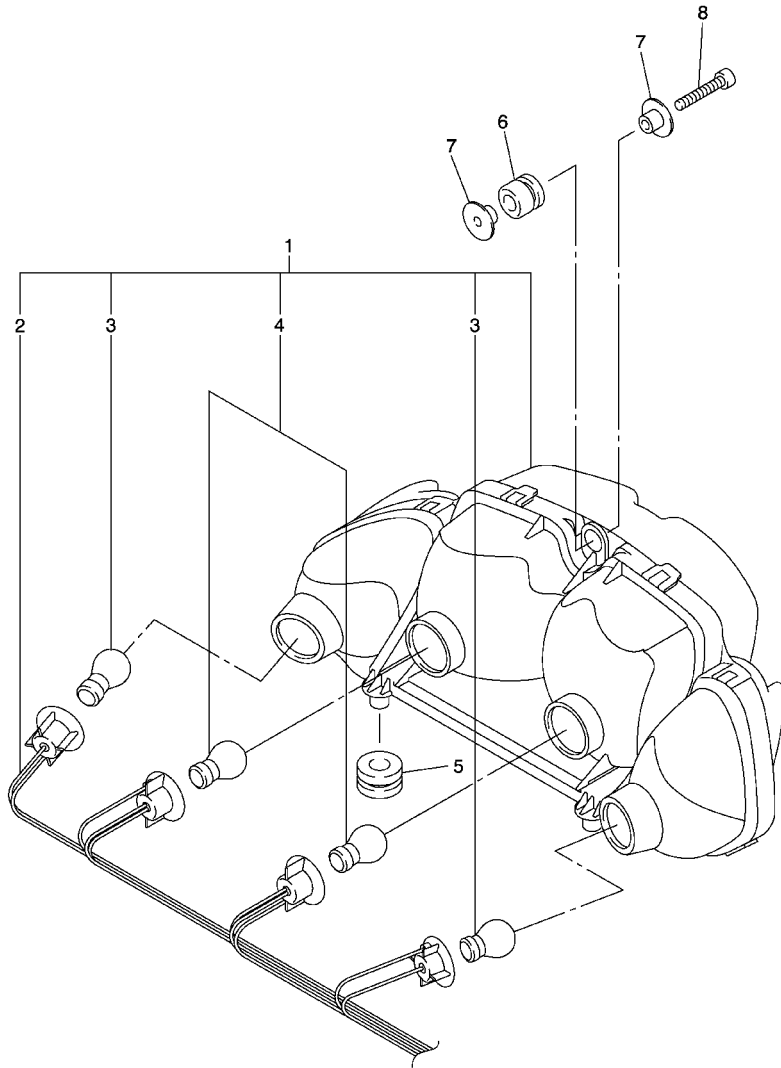
FIG. 46 HEADLIGHT



REF. NO.	PART NO.	DESCRIPTION	5JW4	5JW6	REMARKS
1	5JW-84310-00	HEADLIGHT UNIT ASSY	1		
	5JW-84310-10	HEADLIGHT UNIT ASSY	1		FOR GBR,ZAF
	5JW-84310-20	HEADLIGHT UNIT ASSY		1	
2	2F9-84314-00	BULB (12V-60/55W)	2	2	(H4)HALOGEN
3	4TV-84397-00	COVER, SOCKET	2	2	
4	5DM-84347-00	BULB (12V-5W)	2		
5	5JW-84346-00	SOCKET, PILOT LIGHT	2		
6	5JW-84359-00	CORD, HEADLIGHT	1		
	5JW-84359-10	CORD, HEADLIGHT		1	
7	4XV-83513-00	DAMPER	4	4	
8	97707-50016	SCREW, TAPPING	4	4	
9	90201-05032	WASHER, PLATE	4	4	

 5JW1300-1460

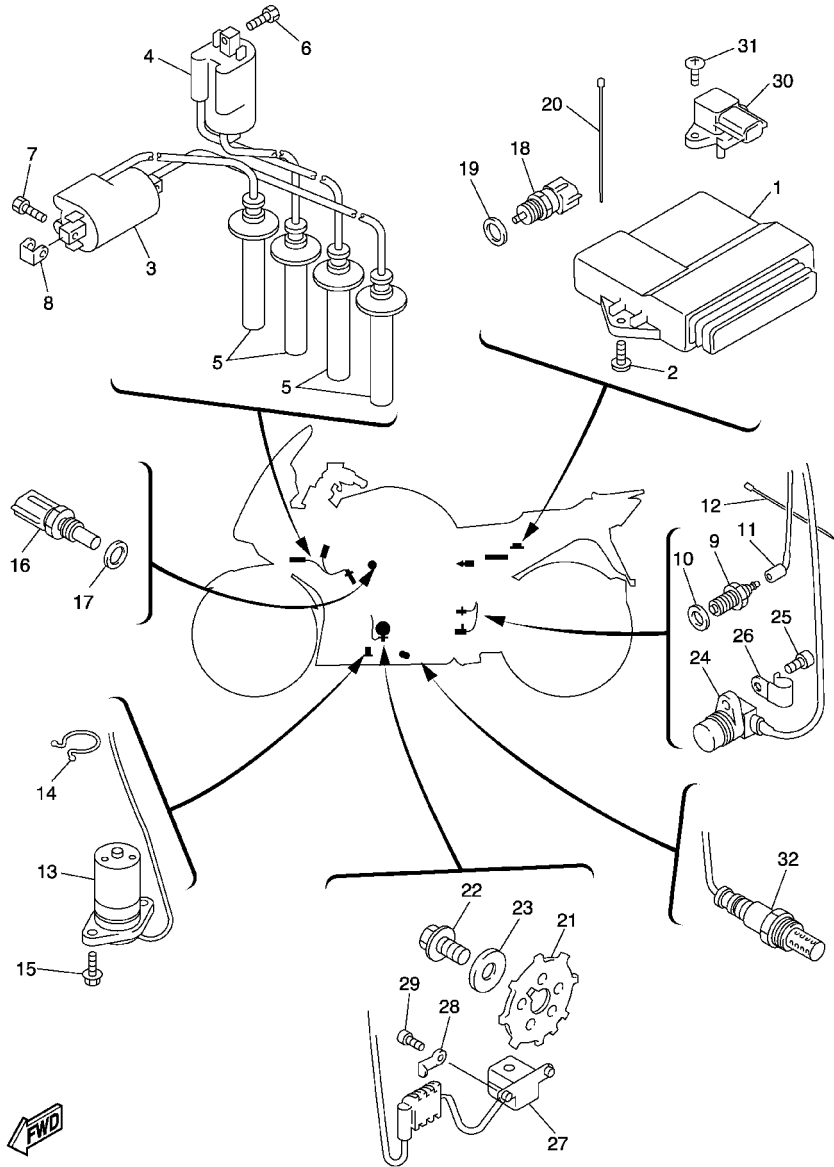
FIG. 47 TAILLIGHT



REF. NO.	PART NO.	DESCRIPTION	5JW4	5JW6	REMARKS
1	5JW-84710-00	TAILLIGHT UNIT ASSY	1	1	
2	5JW-84735-00	.CORD ASSY	1	1	
3	32H-83331-00	.BULB, FLASHER (12V-21W)	2	2	
4	36Y-84714-40	.BULB, TAILLIGHT (12V-21/5W)	2	2	
5	4XV-83513-00	DAMPER	2	2	
6	90480-14360	GROMMET	1	1	
7	90387-077M3	COLLAR	2	2	
8	91317-06030	BOLT	1	1	

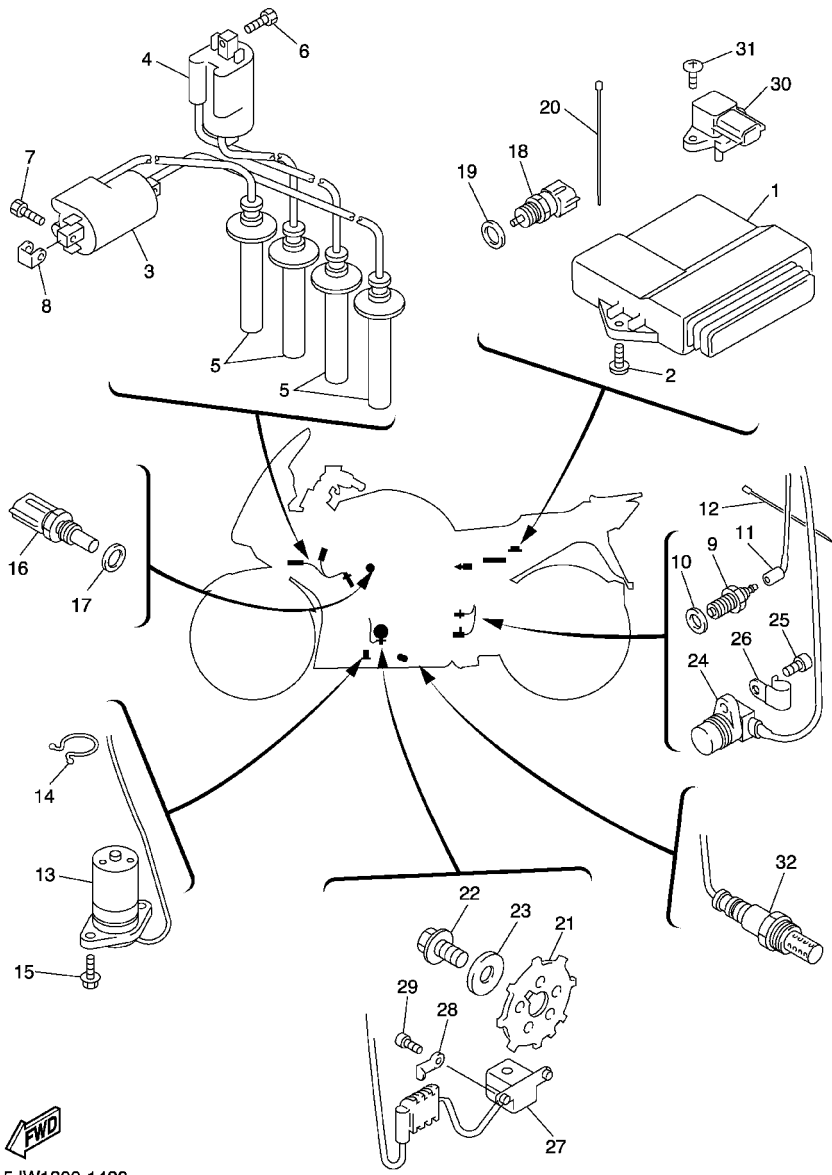

5JW1300-1470

FIG. 48 ELECTRICAL 1




5JW1300-1480

REF. NO.	PART NO.	DESCRIPTION	5JW4	5JW6	REMARKS
1	5JW-8591A-02	ENGINE CONTROL UNIT ASSY	1		
	5JW-8591A-21	ENGINE CONTROL UNIT ASSY		1	
2	97707-60020	SCREW, TAPPING	2	2	
3	5JW-82310-00	IGNITION COIL ASSY	1	1	
4	5JW-82320-00	IGNITION COIL ASSY	1	1	
5	5JW-82370-00	PLUG CAP ASSY	4	4	
6	91317-06020	BOLT	2	2	
7	97080-06020	BOLT	2	2	
8	3LN-82317-00	DAMPER, IGNITION COIL	2	2	
9	3GB-82540-01	NEUTRAL SWITCH ASSY	1	1	
10	90430-10148	GASKET	1	1	
11	5JW-82541-00	WIRE, LEAD	1	1	
12	90465-10098	CLAMP	1	1	
13	5JW-85720-00	OIL LEVEL GAUGE ASSY	1	1	
14	90464-14058	CLAMP	1	1	
15	95027-06016	BOLT, FLANGE	2	2	
16	8CC-85790-01	THERMOSENSOR ASSY	1	1	
17	90201-12790	WASHER, PLATE	1	1	
18	5FL-85790-00	THERMOSENSOR ASSY	1	1	
19	90430-12202	GASKET	1	1	
20	90465-10098	CLAMP	1	1	
21	5JW-81673-00	ROTOR	1	1	
22	90105-10217	BOLT, FLANGE	1	1	
23	90201-107K6	WASHER, PLATE	1	1	
24	5FL-83755-00	SENSOR, SPEED	2	2	
25	90110-06124	BOLT, HEXAGON SOCKET HEAD	2	2	
26	90465-08028	CLAMP	2	2	

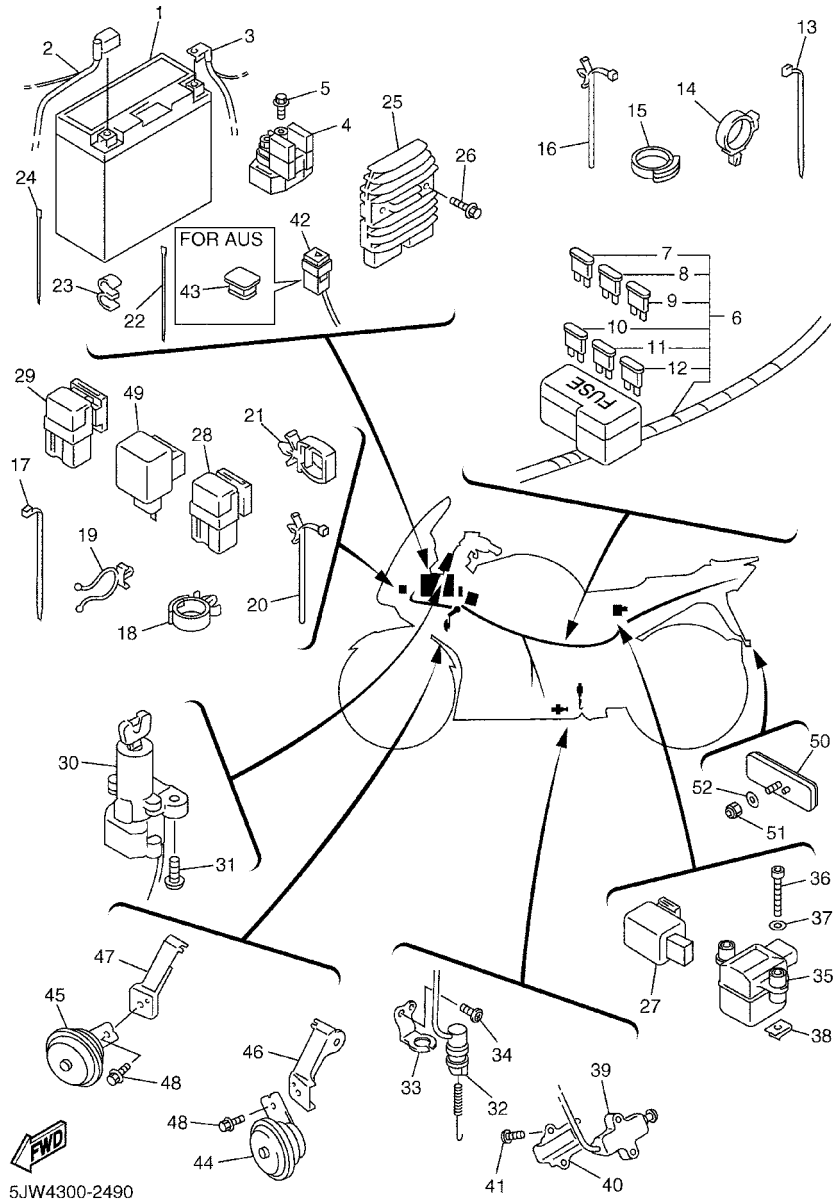


FWD
5JW1300-1480

FIG. 48 ELECTRICAL 1

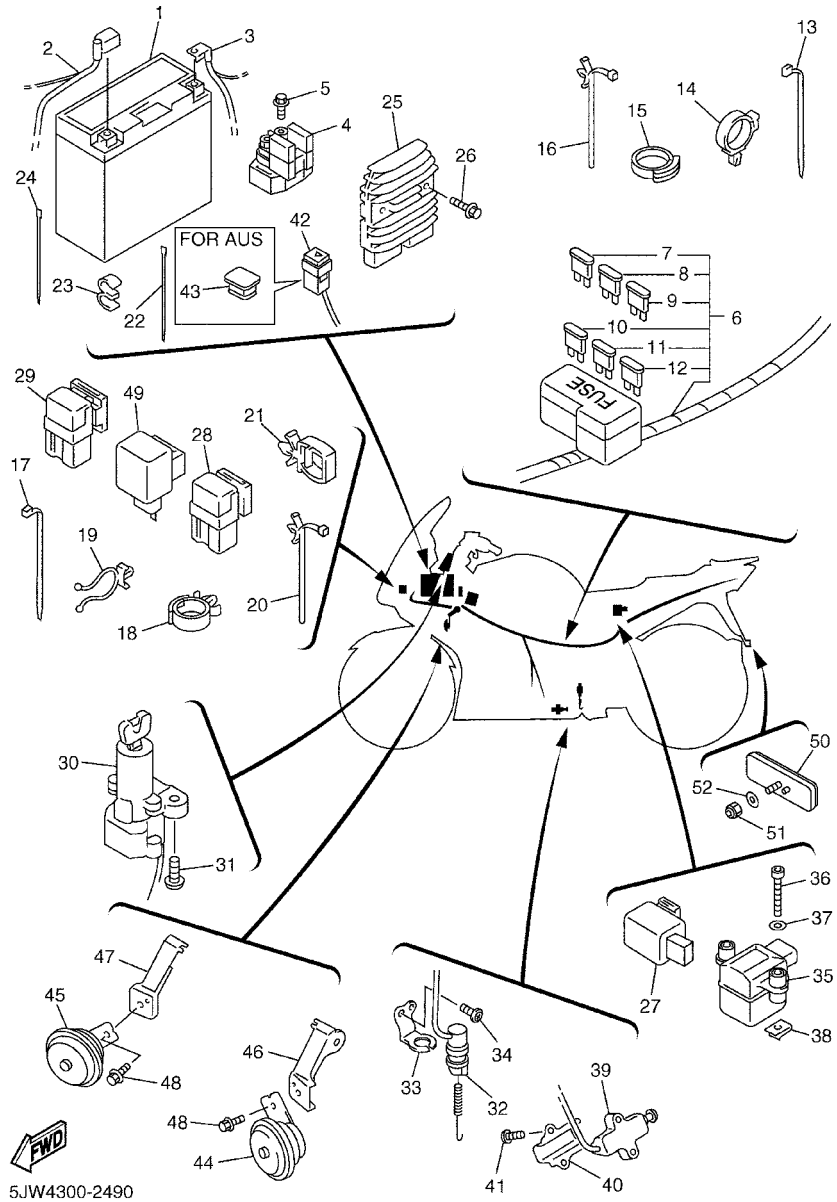
REF. NO.	PART NO.	DESCRIPTION	5JW4	5JW6	REMARKS
27	5JW-81670-00	PICK-UP ASSY	1	1	
28	90465-08033	CLAMP	1	1	
29	90110-05007	BOLT, HEXAGON SOCKET HEAD	2	2	
30	5JW-82380-00	SENSOR, PRESSURE	1	1	
31	97707-50016	SCREW, TAPPING	2	2	
32	5JW-8592A-00	SENSOR	1	1	

FIG. 49 ELECTRICAL 2



REF. NO.	PART NO.	DESCRIPTION	5JW4	5JW6	REMARKS
1	5EA-82100-10	BATTERY ASSY (GT14B-4)	1	1	
2	5JW-82115-00	WIRE, PLUS LEAD	1	1	
3	5JW-82116-00	WIRE, MINUS LEAD	1	1	
4	5JW-81940-00	STARTER RELAY ASSY	1	1	
5	95027-06008	BOLT, FLANGE	2	2	
6	5JW-82590-01	WIRE HARNESS ASSY	1		
	5JW-82590-11	WIRE HARNESS ASSY		1	
7	5JJ-82151-00	.FUSE (7.5A-BL)	2		
8	5JJ-82151-30	.FUSE (10A-BL)	5		
	5JJ-82151-30	.FUSE (10A-BL)		3	
9	5JJ-82151-10	.FUSE (15A-BL)	2		
	5JJ-82151-10	.FUSE (15A-BL)		3	
10	5JW-82151-10	.FUSE (50A)	1	1	
11	5JJ-82151-80	.FUSE (2A-BL)	2	2	
12	5JJ-82151-70	.FUSE (25A-BL)	2	2	
13	90464-15195	CLAMP	2	2	
14	90464-30001	CLAMP	1	1	
15	90464-06001	CLAMP	1	1	
16	90464-20213	CLAMP	1	1	
17	90464-15195	CLAMP	1	1	
18	90464-18246	CLAMP	2	2	
19	90468-20123	CLIP	2	2	
20	90464-20213	CLAMP	1	1	
21	90464-20237	CLAMP	1	1	
22	5Y9-12491-00	CLAMP 1	1	1	
23	90464-60067	CLAMP	1	1	
24	5Y9-12491-00	CLAMP 1	2	2	

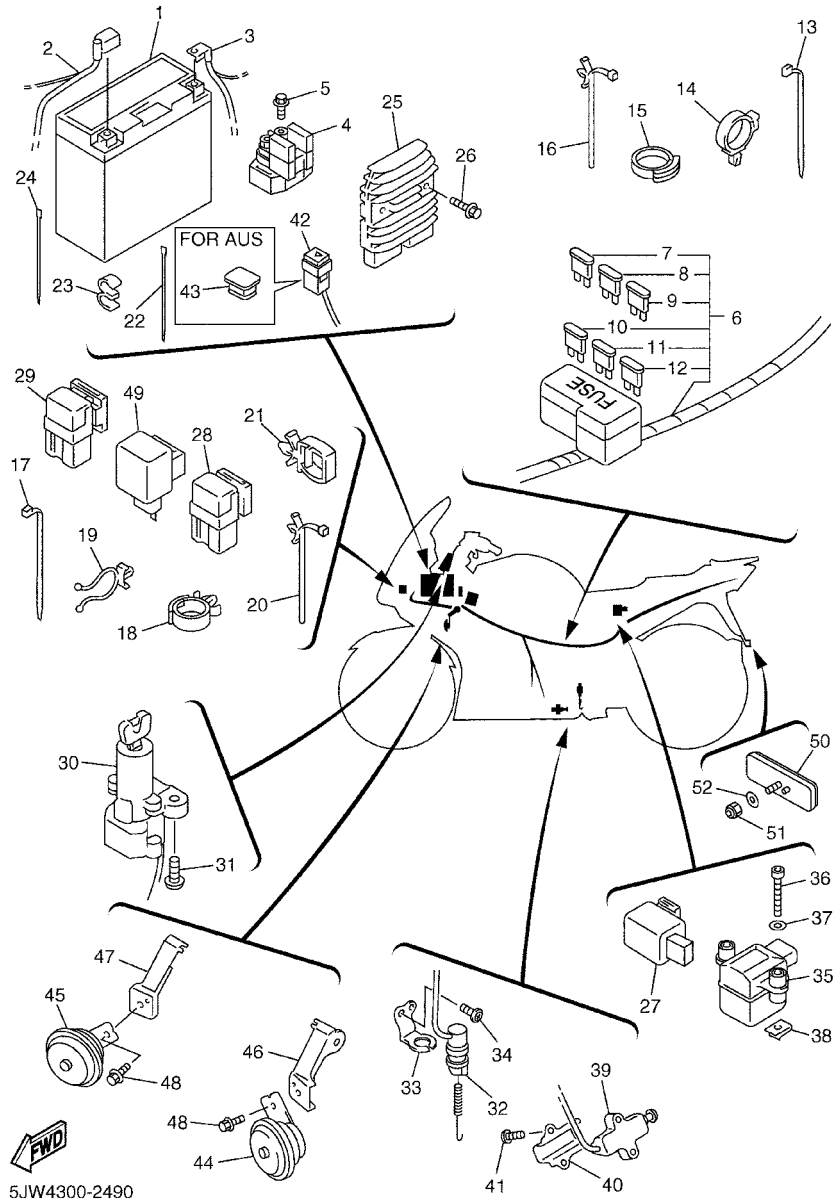
FIG. 49 ELECTRICAL 2



5JW4300-2490

REF. NO.	PART NO.	DESCRIPTION	5JW4	5JW6	REMARKS
25	5JW-81960-00	RECTIFIER & REGULATOR ASSY	1	1	
26	95827-06030	BOLT, FLANGE	2	2	
27	5JX-81950-00	RELAY ASSY	1	1	
28	5EA-81950-20	RELAY ASSY	3	3	
29	5DM-81950-00	RELAY ASSY	1	1	
30	5JW-82501-00	MAIN SWITCH STEERING LOCK	1		
	5JW-82501-10	MAIN SWITCH STEERING LOCK		1	
31	90109-080G5	BOLT	2	2	
32	5JW-82530-00	STOP SWITCH ASSY	1	1	
33	5JW-2144G-00	STAY, STOP SWITCH	1	1	
34	98907-05008	SCREW, BIND	1	1	
35	5JW-82576-00	EMERGENCY STOP SWITCH ASSY	1	1	
36	91317-04035	BOLT	2	2	
37	90201-042E0	WASHER, PLATE	2	2	
38	90183-04039	NUT, SPRING	2	2	
39	5JW-82566-00	SWITCH, SIDE STAND	1	1	
40	5JJ-82388-00	PLATE	1	1	
41	90157-05008	SCREW, PAN HEAD	2	2	
42	5JW-83362-00	HAZARD FLASHER SWITCH	1		
43	5JW-83365-00	CAP		1	
44	35J-83371-32	HORN	1	1	
45	5CG-83371-10	HORN	1	1	
46	5JW-2134K-00	BRACKET, HORN	1	1	
47	5JW-2134L-00	BRACKET, HORN 2	1	1	
48	95807-06012	BOLT, FLANGE	2	2	
49	3GM-83350-01	FLASHER RELAY ASSY	1	1	
50	3Y6-85130-02	REAR REFLECTOR ASSY	1	1	

FIG. 49 ELECTRICAL 2



5JW4300-2490

REF. NO.	PART NO.	DESCRIPTION	5JW4	5JW6	REMARKS
51	95607-05100	NUT, U	1	1	
52	90201-05725	WASHER, PLATE	1	1	

NUMERICAL INDEX

PART NO.	GRID NO.	PART NO.	GRID NO.	PART NO.	GRID NO.	PART NO.	GRID NO.	PART NO.	GRID NO.	PART NO.	GRID NO.
5DM-W0041-50	F - 3	5JW-11500-00	B - 3	3LD-12169-90	B - 5	5JW-13336-00	B - 12	5JW-14451-00	B - 15	5JW-15421-00	C - 9
5JW-W0042-50	F - 8	5JW-11510-00	B - 3	5JW-12171-00	B - 7	5JW-13354-00	B - 14	4XV-14452-00	B - 15	5JW-15425-00	C - 10
5JJ-W0045-00	E - 12	5JW-11557-00	B - 4	5JW-12176-00	B - 7	5JW-13411-00	B - 12	5JW-14452-00	B - 15	5JW-15431-00	C - 9
5JW-W0046-00	E - 15	5JW-11583-00	B - 4	5JW-12210-01	B - 7	5JW-13412-00	B - 12	5JW-14453-00	B - 15	5JW-15451-00	C - 9
3GM-W0047-10	E - 12	5JW-11603-00	B - 3	5JW-12213-00	B - 7	5JW-13414-00	B - 13	5JW-14454-00	B - 15	5JW-15456-00	C - 10
3MA-W0047-10	E - 12	5JW-11631-00	B - 3	5BE-12241-00	B - 7	5JW-13416-00	B - 13	5JW-14463-00	B - 15	5JW-15461-00	C - 9
5JW-W0047-00	E - 15	5JW-11633-00	B - 3	5JW-12251-00	B - 7	5JW-13417-00	B - 13	31A-14477-00	B - 15	5JW-15462-00	C - 9
1J3-W0048-00	E - 12	5JW-11650-01	B - 3	5JW-12252-00	B - 7	5JW-13440-00	B - 13	5JW-14568-00	B - 15	5JW-15463-00	C - 10
2NL-W0048-50	E - 15	5JW-11654-00	B - 3	3FV-1240G-00	B - 9	5JW-13470-00	B - 13	5JW-14589-00	C - 3	5JW-15484-00	C - 9
4SV-W0057-00	E - 12	5JW-11656-00	B - 3	5JW-12405-01	B - 10	5JW-13473-00	B - 13	5JW-14602-00	C - 6	5JW-15492-00	C - 9
4SV-W0057-10	E - 12	5JW-11656-10	B - 3	4FM-12410-00	B - 9	5PW-13490-00	B - 13	4FM-14613-00	C - 6	5JW-15512-00	C - 11
5JW-W0057-00	E - 15	5JW-11656-20	B - 3	5JW-12417-00	B - 9	5JW-13597-00	C - 2	5JW-14710-01	C - 6	5JW-15515-00	C - 11
5JW-W0099-00	F - 4	5JW-11656-30	B - 3	5JW-12421-00	B - 8	5JW-13750-02	C - 3	3XW-14714-00	C - 6	5JW-15517-00	C - 11
5JW-W1751-00	D - 2	5JW-11656-40	B - 3	5JW-12422-00	B - 8	5FL-13761-00	C - 3	5JW-14720-01	C - 6	36Y-15521-01	C - 11
2TV-W2470-00	E - 10	5JW-11656-50	B - 3	5JW-1243A-00	B - 11	5FL-13766-00	C - 4	5JW-14723-00	C - 5	4NK-15590-00	C - 11
4HM-W2585-01	F - 3	5JW-12111-00	B - 5	5JW-1243E-00	B - 11	5JW-13831-00	B - 4	5JW-1482K-00	C - 5	5JW-15645-00	C - 8
5DM-W2587-00	F - 3	5JW-12113-00	B - 5	5JW-1243F-00	B - 10	5JW-13832-00	B - 4	5JW-14833-00	C - 5	5JW-16150-00	C - 12
5JW-W2645-01	F - 4	5JW-12116-00	B - 5	11H-12438-10	B - 8	5JW-13898-00	B - 13	5JW-14834-00	C - 5	5JW-16154-00	C - 12
5JW-W4612-00	E - 2	5JW-12117-00	B - 5	5JW-12439-00	B - 8	5JW-13906-00	C - 3	5JW-14840-00	C - 5	5JW-16181-00	C - 12
5JW-Y2410-10-02	E - 8	1AA-12118-00	B - 5	5JW-1244E-00	B - 10	5JW-13907-00	E - 9	5JW-14858-00	C - 5	5JW-16183-00	C - 12
5JW-Y2410-10-03	E - 8	33M-12119-00	B - 5	5JW-1244G-00	B - 11	5JW-13938-00	C - 3	5JW-14862-00	C - 5	341-16321-13	C - 12
5JW-Y2410-10-04	E - 8	5JW-12121-00	B - 5	5JW-12450-00	B - 8	5JW-13971-00	C - 4	5JW-14871-00	C - 5	5JW-16321-00	C - 12
5JW-Y283J-10-P0	F - 13	5EB-12153-09	B - 6	5GV-1246E-00	B - 8	5JW-13972-00	C - 4	5JW-14872-00	C - 5	2H7-16325-00	C - 12
5JW-Y283J-20-P1	F - 13	5EB-12153-20	B - 6	5JW-12461-00	B - 10	5JW-14103-00	C - 3	5JW-14873-00	C - 5	4XV-16331-00	C - 12
5JW-Y283J-30-P2	F - 13	3LD-12168-A0	B - 5	3XP-12462-00	B - 10	5JW-14104-00	C - 3	5JW-14881-00	C - 5	5JW-16334-00	C - 12
5JW-Y283K-10-P0	F - 13	3LD-12168-F0	B - 5	5JW-12464-10	B - 10	4KM-14137-00	C - 3	5JW-14882-00	C - 5	36Y-16335-00	C - 12
5JW-Y283K-20-P1	F - 13	3LD-12168-H1	B - 5	5JW-12469-00	B - 8	5JW-14139-00	C - 3	5JW-14883-00	C - 5	132-16346-00	D - 5
5JW-Y283K-30-P2	F - 13	3LD-12168-K1	B - 5	5JW-12481-00	B - 8	8A7-14139-00	C - 4	5JW-14884-00	C - 5	4XV-16351-00	C - 12
5JW-11102-00	B - 2	3LD-12168-M1	B - 5	5Y9-12491-00	G - 9	5FL-14147-00	C - 3	5JW-14885-00	C - 5	1TX-16352-00	C - 12
4KG-1111G-00	B - 2	3LD-12168-R1	B - 5	5JW-12551-00	B - 10	5JW-14148-00	C - 3	5JW-14889-00	C - 5	4KG-16356-00	C - 12
5JW-11133-10	B - 2	3LD-12168-U1	B - 5	5JW-12552-00	B - 10	895-14169-00	C - 4	5JW-14890-00	C - 5	5JW-16357-00	C - 12
5JW-11145-00	C - 7	3LD-12168-W1	B - 5	5JW-12576-00	B - 8	8CC-14216-10	C - 3	5JW-14899-00	C - 5	5JW-16370-00	C - 12
5JW-11165-00	C - 7	3LD-12168-Y1	B - 5	5JW-12577-00	B - 8	3XV-14251-00	C - 3	5DM-14919-00	C - 3	5JW-16381-00	C - 13
5JW-11166-00	C - 2	3LD-12168-00	B - 5	5JW-12578-00	B - 9	5JW-14348-00	C - 3	5JW-14987-00	C - 3	36Y-16383-00	C - 12
5JW-11181-00	B - 2	3LD-12168-20	B - 5	5JW-12579-00	B - 9	5JW-14349-00	C - 3	5JW-15100-01	C - 7	36Y-16384-00	C - 12
5JW-11191-00	B - 2	3LD-12168-40	B - 5	5JW-12581-00	B - 8	5JW-14396-00	C - 3	5JW-15113-00	C - 8	2H7-16385-00	C - 12
5JW-11193-00	B - 2	3LD-12168-60	B - 5	5JW-12588-00	B - 10	5JW-14409-00	B - 15	5JW-15163-00	C - 14	5JW-17121-00	C - 14
214-11198-01	B - 13	3LD-12168-80	B - 5	5JW-12589-00	B - 10	5JW-14411-00	B - 15	4H7-15189-00	C - 7	5JW-17131-00	C - 14
	E - 3	3LD-12169-E0	B - 5	5JW-12590-00	B - 10	5JW-14412-00	B - 15	5JW-15189-00	C - 8	5JW-17141-00	C - 14
5JW-11411-00	B - 3	3LD-12169-G0	B - 6	5JW-12659-00	B - 10	5EB-14413-00	C - 4	5JW-15191-00	C - 7	5JW-17151-00	C - 14
3LD-11416-10	B - 3	3LD-12169-J0	B - 6	5JW-12668-00	B - 10	5JW-14419-00	B - 15	5JW-15316-00	C - 9	5JW-17211-00	C - 15
3LD-11416-20	B - 3	3LD-12169-L0	B - 6	5JW-12682-00	B - 8	5JW-1442G-00	B - 15	5JW-15326-00	C - 9	5JW-17221-00	C - 15
3LD-11416-30	B - 3	3LD-12169-N0	B - 6	5JW-12881-00	C - 3	5JW-1442H-00	B - 15	2H7-15361-00	C - 7	5JW-17231-00	C - 14
3LD-11416-40	B - 3	3LD-12169-T0	B - 6	5JW-1316E-00	B - 13	5JW-1442L-00	C - 2	3F9-15362-00	C - 9	5JW-17241-00	C - 14
3LD-11416-50	B - 3	3LD-12169-11	B - 5	5JW-13161-00	B - 13	5JW-14421-00	B - 15	5JW-15411-00	C - 9	5JW-17251-00	C - 14
3LD-11416-60	B - 3	3LD-12169-31	B - 5	5JW-13310-00	B - 12	5JW-14425-00	B - 15	5JW-15412-00	C - 7	5JW-17402-00	C - 14
3LD-11416-70	B - 3	3LD-12169-50	B - 5	5JW-13316-00	B - 12	5JW-14426-00	B - 15	5JW-15414-00	C - 9	5JW-17411-00	C - 14
5JW-11455-00	B - 3	3LD-12169-70	B - 5	5JW-13330-00	B - 12	5JW-14437-00	B - 15	5JW-15416-00	C - 10	5JW-17521-00	D - 2

NUMERICAL INDEX

PART NO.	GRID NO.	PART NO.	GRID NO.	PART NO.	GRID NO.	PART NO.	GRID NO.	PART NO.	GRID NO.	PART NO.	GRID NO.
5JW-17524-00	D - 2	5JW-2117M-00	D - 8	5JW-21651-00-P1	D - 11	5JW-23141-00	E - 6	5JW-24184-00	E - 8	5JJ-2580T-00	E - 12
5JW-17526-00	D - 2	5JW-2118U-00	D - 8	5JW-21651-00-P2	D - 11		E - 7	5JW-24186-00	E - 8	5JJ-2580U-00	E - 12
5JW-17527-00	D - 2	5JW-21190-00	D - 7	5JW-21652-00	D - 12	4SV-23144-00	E - 6	5JW-24187-00	E - 8	5JW-2580W-10	E - 15
4X7-17531-00-15	D - 2	5JW-21266-00	D - 8	5JW-21655-00	D - 11		E - 7	5JW-2419A-00	E - 9	5JW-2581K-00	F - 8
4X7-17531-00-30	D - 2	5JW-21266-10	D - 8	5JW-21656-00	D - 10	4SV-23145-00	E - 6	5JW-24191-00	E - 8	4SV-2581T-00	E - 12
4X7-17531-00-50	D - 2	5JW-21267-00	D - 8	5JW-21657-00	D - 11		E - 7	5JW-24192-01	E - 8	3LN-2582A-00	F - 8
5JW-17531-00	D - 2	5JW-21267-10	D - 8	5JW-21711-00-P0	D - 13	4SV-23156-00	E - 6	5JW-24311-00	C - 3	5EL-2582W-00	E - 15
5JW-17531-10	D - 3	5JW-21315-00	D - 7	15A-21717-00	E - 9		E - 7	5JW-24486-00	E - 9	5JW-25827-00	E - 15
5JW-17531-20	D - 3	5JW-21316-00	D - 7	5JW-2172W-00	D - 9	5JW-23170-00	E - 6	5JW-24491-00	E - 9	5JW-2583V-00	F - 8
5JW-17531-30	D - 3	5JW-21339-00	D - 7	5JW-21721-00-P0	D - 13		E - 7	5JJ-24602-00	E - 9	3GM-2585B-10	F - 4
5JW-17531-40	D - 3	5JW-2134K-00	G - 10	5JW-2174X-00	D - 12	5LV-23173-00	E - 6	5JW-2470F-00	E - 10	3LN-2585F-00	F - 8
5JW-17531-50	D - 3	5JW-2134L-00	G - 10	5EA-2174Y-00	F - 13		E - 7	5JW-2470F-10	E - 10	3LN-2585H-00	F - 8
1J7-17537-Y0-30	E - 2	5JW-21348-00	E - 8	5JW-21746-00	D - 13	5JW-2318Y-00	E - 6	5JW-24710-00	E - 10	2KF-25852-50	F - 8
1J7-17537-Y0-40	E - 2	5JW-2137Y-01	D - 8	5JW-21746-10	D - 13		E - 7	5JW-24723-00	E - 10	4HM-25852-01	F - 4
1J7-17537-Y0-50	E - 2	256-21376-00	D - 10	5JW-2177G-00	D - 8	5JW-2319W-00	E - 6	5JW-24724-00	E - 10	360-25854-01	F - 8
5JW-17538-00	D - 3	5JW-21376-00	D - 10	3TU-2178A-00	F - 6		E - 7	5JW-24737-00	E - 10	4HM-25854-00	F - 3
5JW-17551-00	D - 2	5JW-2139X-00	D - 8	1AA-21815-00	B - 11	4SV-2331G-00	E - 6	5JW-24737-10	E - 10		F - 4
5JW-17582-00	C - 15	5JW-2143A-00	D - 8	5JW-21823-00	F - 4		E - 7	5JW-24741-00	E - 10	2GU-25855-00	F - 8
5JW-17583-00	D - 2	5JW-2144G-00	G - 10	5JW-21852-00	D - 8	5JW-23340-00	E - 7	5JW-24747-00	E - 10	4L0-25862-01	F - 3
2H7-17590-00	E - 3	5JW-2147J-00	D - 8	5JW-21871-00	B - 11	5JW-23389-00	E - 5	5JW-2475X-00	E - 10		F - 4
5JW-18101-00	D - 5	4X7-2149Y-00	B - 15	5JW-21873-00	B - 11	4XV-2341B-00	E - 5	5JW-2475X-10	E - 10	4HM-25867-00	F - 3
5JW-18110-00	D - 5	5EB-21495-00	D - 7	1AA-21874-00	B - 11	4XV-23415-01	E - 5	5JW-24750-00	E - 10	4KG-25867-00	F - 4
5JW-18112-00	D - 5	5JW-2151A-02	D - 9	5JW-22110-00	D - 14	4XV-23418-00	E - 5	5JW-24773-00-P0	E - 10	5JW-25872-01	F - 3
5EB-18113-00	D - 5	5JW-21511-10-P0	D - 10	5JW-22128-00	D - 14	4XV-23434-00	F - 2	5JW-24773-00-P1	E - 10	5JW-25875-00	F - 4
5JW-18115-00	D - 5	5JW-21511-10-P1	D - 10	5JW-22129-00	D - 15	5JW-23435-01	E - 5	5JW-24773-00-P2	E - 10	4KG-25876-00	F - 3
5LV-18116-00	D - 5	5JW-21511-10-P2	D - 10	5JW-22141-00	D - 14	3FV-23462-00	E - 5	5JW-2478E-00	E - 10	5JW-25876-00	F - 9
4XV-18127-00	D - 5	5JW-2160E-00	D - 10	5JW-2217A-00	D - 14	5JW-23818-00	E - 5	4BP-24780-00	E - 10	5JW-25886-00	F - 3
5JW-18140-00	D - 5	5JW-21611-00	D - 10	5JW-2217H-00	D - 15	5JW-23844-00	E - 5	4BP-24792-00	E - 10	4KG-25887-00	F - 3
5JW-18144-00	D - 5	4HM-2162A-00	D - 10	5JW-2217M-00	D - 14		F - 7	4XV-25117-00	E - 11	3FV-2589F-00	F - 3
4XV-18154-00	D - 5	5JW-21621-00	D - 10	4BH-2219X-00	D - 15		F - 11	5JW-25168-01-33	E - 11		F - 4
5JW-18154-00	D - 5	5JW-2163A-00	D - 11	5JW-2219X-00	D - 15		F - 12	4XV-25181-00	E - 11	31A-25894-01	F - 8
5JW-18511-00	D - 4	5JW-2163A-10	D - 11	5JW-22210-10	E - 4	5JW-2411L-00	E - 8	5JW-25186-00	E - 11	5JW-25895-00	F - 8
5JW-18512-00	D - 4	5JW-2163E-00-P0	D - 11	5JW-22216-00	E - 4	5JW-24129-00	E - 9	5JW-25317-00	E - 13	5JW-25914-10	E - 15
5JW-18513-00	D - 4	5JW-2163E-00-P1	D - 11	5JW-22460-00	E - 4	5JW-24139-00	E - 9	5JW-25319-00	E - 13	4SV-25919-00	E - 12
4XV-18531-00	D - 4	5JW-2163E-00-P2	D - 11	5JW-23102-01	E - 6	5EJ-2414H-00	D - 8	5JW-25327-00	E - 13	5JW-25919-00	E - 15
5JW-18535-00	D - 4	5JW-2163E-10-P0	D - 11	5JW-23103-01	E - 6	5JW-2414H-00	E - 9	5JW-25338-01-33	E - 13	4SV-25924-00	E - 12
5JW-18536-00	D - 4	5JW-2163E-10-P1	D - 11	5JW-23106-01	E - 6	5JW-2414H-10	E - 9	5JW-25364-00	E - 13	3GM-25925-00	E - 12
5JW-18540-00	D - 4	5JW-2163E-10-P2	D - 11	5JW-23107-01	E - 6	5JW-2414J-00	E - 9	5JW-25366-00	E - 13	4TT-25937-00	E - 15
136-18542-00	D - 4	5JW-2163F-00-P0	D - 11	5JW-23110-00	E - 6	5JW-2414K-00	E - 8	5JW-25371-00	E - 13	5JW-26121-10	F - 2
5JW-21110-02	D - 7	5JW-2163F-00-P1	D - 11	5JW-23111-01	E - 6	5JW-2414N-00	E - 8	5JW-25381-00	E - 13	5JW-26122-10	F - 2
5JW-21119-00	D - 7	5JW-2163F-00-P2	D - 11		E - 7	5JW-2414N-10	E - 9	5JW-25383-00	D - 14	5JW-26240-00	F - 2
5JW-2113N-00	D - 8	5JW-21639-00	D - 11	4SV-23115-00	E - 6	5JW-2414P-00	E - 8		E - 13	5JW-26241-00	F - 2
5JW-2113R-00	D - 8	5JW-2164F-00	D - 11		E - 7	5JW-2414P-10	E - 9	5MT-25398-00	E - 11	4XV-26246-00	F - 2
5JW-2113R-10	D - 8	5JW-2164G-00	D - 11	5JW-23118-00	E - 6	5JW-2414R-00	E - 9		E - 11	5JW-26280-00	F - 12
5JW-2115A-00	D - 7	5JW-2164K-00	D - 10		E - 7	5JW-24181-00	E - 8	5MT-25398-10	E - 13	3XW-26281-01	F - 2
5JW-21165-00	D - 12	5JW-21647-01	D - 10	4SV-23125-00	E - 6	5JW-24182-00	E - 8		E - 13	3XW-26282-01	F - 2
5JW-2117F-00	D - 8	5JW-21649-00	D - 11		E - 7	4SV-24183-00	E - 8	5MT-25398-20	E - 11	5JW-26290-00	F - 12
5JW-2117K-00	E - 10	5JW-21651-00-P0	D - 11	4SV-23135-00	E - 6	5JW-24183-00	E - 8		E - 13	5JW-26298-00	F - 12

NUMERICAL INDEX

PART NO.	GRID NO.	PART NO.	GRID NO.	PART NO.	GRID NO.	PART NO.	GRID NO.	PART NO.	GRID NO.	PART NO.	GRID NO.
5JW-26302-00	F - 2	5JW-2835H-00-P1	F - 11	1J7-46117-Y0-30	E - 2	5JJ-82388-00	G - 10	5JW-84359-10	G - 5	90109-082A1	E - 10
3GM-26455-00	F - 4	5JW-2835H-00-P2	F - 11	1J7-46117-Y0-40	E - 2	5JW-82501-00	G - 10	4TV-84397-00	G - 5	90109-087F1	D - 12
3GM-26464-00	F - 4	5JW-28351-00-P0	F - 10	1J7-46117-Y0-50	E - 2	5JW-82501-10	G - 10	5JW-84710-00	G - 6		F - 6
5JW-26470-00	F - 4	5JW-28351-00-P1	F - 10	22U-46118-00-12	E - 2	5JW-82509-00	C - 3	36Y-84714-40	G - 6	90109-10007	D - 15
5JW-27111-00	F - 7	5JW-28351-00-P2	F - 10	22U-46118-00-14	E - 2	5JW-82530-00	G - 10	5JW-84735-00	G - 6	90109-10031	F - 6
1A0-27114-00	F - 7	5JW-28354-00	F - 10	22U-46118-00-16	E - 2	3GB-82540-01	G - 7	3Y6-85130-02	G - 10	90109-101E6	F - 7
5JW-27151-00	F - 7	5JW-28356-00	F - 10	22U-46118-00-18	E - 2	5JW-82541-00	G - 7	5JW-85132-00	D - 10	90110-05007	G - 8
5JW-27152-00	F - 7	5JW-28357-00	D - 9	22U-46118-00-20	E - 3	5JW-82566-00	G - 10	5JW-85720-00	G - 7	90110-05112	E - 9
5JW-27211-00	F - 8	5JW-28358-00	D - 9	4H7-46123-01	E - 2	5JW-82576-00	G - 10	5FL-85790-00	G - 7	90110-06018	B - 13
5JW-27212-00	F - 8	5JW-2836A-00	F - 14	4H7-46125-00	E - 2	5JW-82590-01	G - 9	8CC-85790-01	G - 7		C - 7
4XV-27222-01	F - 8	5LV-2836B-01	F - 11	5JW-4615A-00	E - 3	5JW-82590-11	G - 9	5PS-85885-00	C - 3		C - 9
5JW-27311-00	F - 5	5JW-2836E-00	F - 14	1FK-46152-01	E - 2	5JW-83306-00	F - 10	5JW-8591A-02	G - 7	90110-06019	B - 8
5JW-27321-00	F - 5	5JW-2836F-00	F - 14	5JW-46153-00	E - 2	5DM-8331L-00	G - 3	5JW-8591A-21	G - 7		B - 12
5JW-2741A-01	F - 5	5JW-2836K-00	F - 13	1FK-46154-00	E - 3	5DM-83310-00	G - 3	5JW-8592A-00	G - 8	90110-06020	B - 12
5JW-2741L-00	F - 7	5JW-2836L-00	F - 14	1FK-46156-00	E - 3	306-83311-40	G - 3	90101-10M05	D - 7	90110-06026	B - 12
3YX-27413-00	F - 5	5JW-2836M-00	F - 12	1FK-46157-00-15	E - 3	5DM-83320-00	G - 3	90101-10004	F - 7	90110-06027	B - 13
	F - 6	5JW-2836N-00	F - 12	1FK-46157-00-20	E - 3	32H-83331-00	G - 6	90101-10006	F - 5		C - 5
5JW-2742L-00	F - 7	5JW-28365-00-P0	F - 11	5JW-46172-00	E - 3	4JH-83332-00	G - 3	90101-10011	D - 14	90110-06033	B - 8
36Y-27424-00	F - 7	5JW-28365-00-P1	F - 11	5JW-46180-00	E - 3	4JH-83342-00	G - 3	90101-10658	D - 14	90110-06034	B - 8
5LV-27431-01	F - 6	5JW-28365-00-P2	F - 11	5JW-81410-00	F - 15	3GM-83350-01	G - 10	90101-12755	E - 4	90110-06041	B - 13
5JW-27434-00	D - 6	5JW-2837L-00	F - 11	5JW-81450-00	F - 15	5JW-83362-00	G - 10	90105-06020	C - 8	90110-06124	G - 7
3HE-27435-00	F - 5	5JW-2837M-00	F - 12	5JW-81670-00	G - 8	5JW-83365-00	G - 10	90105-06030	C - 7	90110-06200	D - 10
	F - 6	5DM-28371-00	B - 11	5JW-81673-00	G - 7	35J-83371-32	G - 10	90105-06384	B - 2	90110-06226	D - 4
5JJ-27437-00	F - 6		E - 9	5JW-81801-00	G - 2	5CG-83371-10	G - 10	90105-066A5	B - 8	90110-08006	B - 4
5LV-27441-01	F - 6	5JW-28371-00	F - 13	5JJ-81828-00	G - 2	5JW-83500-12	G - 4	90105-06639	E - 5	90110-08007	E - 13
5JW-27442-00	F - 6		F - 14	5JW-8183G-00	G - 2	5JW-83500-20	G - 4	90105-07342	B - 7	90110-08068	C - 6
5JW-27443-00	F - 6	5JW-28374-00	F - 10	5JW-81846-00	G - 2	4XV-83513-00	G - 4	90105-08038	D - 3	90110-08199	F - 6
4BH-27451-01	F - 5	5JW-28381-00	F - 10	5JW-81890-00	G - 2		G - 5	90105-08307	D - 8		F - 7
4BH-27461-01	F - 5	5JW-28385-10-P0	F - 14	5JW-81940-00	G - 9		G - 6	90105-08310	E - 10	90110-08212	D - 7
5JW-28100-00	D - 12	5JW-28385-10-P1	F - 14	5DM-81950-00	G - 10	4WM-83517-10	G - 4	90105-10217	G - 7	90110-10N52	E - 6
4PT-28217-00	D - 11	5JW-28385-10-P2	F - 14	5EA-81950-20	G - 10	4YR-83517-10	G - 4	90105-10416	D - 7		E - 7
5JW-28321-00	D - 8	5JW-28415-00	F - 13	5JX-81950-00	G - 10	5JW-8353E-00	G - 4	90105-105A7	E - 12	90111-05003	F - 11
5JW-28322-00	F - 10	5JW-28415-10	F - 13	5JW-81960-00	G - 10	5JW-83572-00	G - 4	90105-10730	D - 7		F - 12
5JW-28323-00	F - 10	5JW-28416-00	F - 13	5EA-82100-10	G - 9	5FL-83755-00	G - 7	90105-12005	B - 3		F - 13
5JW-28328-10	F - 13	5JW-28416-10	F - 14	5JW-82115-00	G - 9	5EA-83912-00	F - 4	90109-06014	D - 12		F - 14
5JW-28328-20	F - 13	5JW-28425-00	D - 9	5JW-82116-00	G - 9	5EB-83922-01	F - 3	90109-06015	D - 2	90111-06019	D - 5
5JW-28328-30	F - 13	5JW-28428-00	F - 10	5JJ-82151-00	G - 9	5DM-83963-01	F - 2	90109-06031	C - 9	90111-06028	C - 9
5JW-28329-00	F - 10	5JW-28429-00	F - 10	5JJ-82151-10	G - 9	5JW-83969-00	F - 2	90109-06037	D - 13	90116-08427	E - 2
5JW-2833C-00	F - 10	5JW-28435-00	D - 9	5JJ-82151-30	G - 9	4UN-83975-01	F - 2		F - 13	90116-10010	E - 2
5JW-28332-00	F - 10	5JW-2844E-00	F - 11	5JJ-82151-70	G - 9	3GM-83980-00	F - 4		F - 14	90119-05005	D - 15
5JW-28336-00	F - 10	5JW-2846F-00	F - 11	5JJ-82151-80	G - 9	4HM-83980-00	F - 3	90109-063F1	E - 5	90119-06096	B - 11
5JW-2834E-00	F - 13	5JW-2847F-00	F - 11	5JW-82151-10	G - 9	5JW-84310-00	G - 5	90109-064G6	E - 12	90119-06117	B - 11
5JW-2834F-00	F - 14	5JW-2848F-00	F - 11	5JW-82310-00	G - 7	5JW-84310-10	G - 5		E - 15		F - 14
5JW-28345-00	F - 14	5JW-2848H-00	F - 14	3LN-82317-00	G - 7	5JW-84310-20	G - 5	90109-06468	F - 8	90119-06172	E - 8
5JW-2835G-00-P0	F - 11	5JW-2848K-00	F - 14	5JW-82320-00	G - 7	2F9-84314-00	G - 5	90109-065F3	D - 8	90119-06205	D - 8
5JW-2835G-00-P1	F - 11	5JW-2848L-00	F - 14	5JW-82370-00	G - 7	5JW-84346-00	G - 5	90109-065G3	C - 7	90119-06227	D - 10
5JW-2835G-00-P2	F - 11	2H7-46102-00	E - 2	5JW-82380-00	C - 3	5DM-84347-00	G - 5	90109-066F0	B - 2	90119-09001	C - 7
5JW-2835H-00-P0	F - 11	1J7-46117-Y0-25	E - 2		G - 8	5JW-84359-00	G - 5	90109-080G5	G - 10	90119-10004	B - 2

NUMERICAL INDEX

PART NO.	GRID NO.	PART NO.	GRID NO.	PART NO.	GRID NO.	PART NO.	GRID NO.	PART NO.	GRID NO.	PART NO.	GRID NO.
90142-03N01	E - 6	90185-18167	E - 13	90209-28330	C - 14	90387-08016	D - 12	90450-57001	B - 15	90480-13398	F - 13
	E - 7	90201-04018	D - 10	90209-28331	C - 14	90387-0813V	E - 8	90450-63001	C - 2		F - 14
90149-04278	D - 10	90201-042E0	G - 10	90209-29329	C - 14	90387-09003	E - 10	90462-08225	C - 9	90480-13567	E - 9
90149-05299	D - 13	90201-047A2	D - 11	90209-30343	C - 14	90387-10007	F - 5		C - 10	90480-14360	G - 6
	E - 9	90201-05032	G - 5	90209-30344	C - 14	90387-10009	D - 14	90464-06001	G - 9	90480-15363	B - 10
90149-06018	C - 7	90201-05725	G - 4	90209-30345	C - 14	90387-102R4	D - 14	90464-07259	D - 10	90501-064L1	D - 4
90149-06019	F - 15		G - 11	90215-25218	C - 12	90387-104L8	F - 7	90464-09129	B - 11	90501-15001	F - 6
90149-06022	D - 7	90201-06016	B - 2	90215-27003	D - 2	90387-12011	E - 4	90464-13249	B - 11	90501-16491	E - 3
90149-06250	B - 9	90201-06018	E - 5	90250-08022	C - 9	90387-1211D	D - 5	90464-14001	E - 4	90501-75638	D - 2
90149-06286	C - 14	90201-06071	B - 10	90267-40076	D - 10	90387-122R5	D - 14	90464-14058	G - 7	90506-16482	F - 10
90149-06304	C - 9	90201-062A8	D - 12	90269-03002	D - 11	90387-127V3	D - 5	90464-15195	G - 9	90506-20008	F - 5
	D - 8	90201-062P7	D - 5	90269-05002	D - 15	90387-127W0	D - 15	90464-16005	C - 4	90506-23001	F - 7
90149-06308	E - 10	90201-080H1	D - 6	90269-06001	D - 9	90387-1312P	D - 7	90464-16008	C - 4	90506-25001	F - 8
90149-08003	C - 11	90201-100L3	D - 7	90269-06081	D - 10	90387-20011	D - 14	90464-18246	G - 9	90506-40001	F - 7
90149-10001	F - 6	90201-101J1	D - 14		D - 11	90387-206W8	E - 13	90464-20213	G - 9	90508-183B9	F - 5
90151-06036	F - 10		D - 15		D - 13	90387-207V6	D - 14	90464-20237	G - 9	90508-184B0	F - 5
90157-05008	G - 10	90201-10118	F - 3	90269-07006	F - 12	90387-2200T	E - 11	90464-23239	F - 9	90508-29012	D - 5
90157-05079	F - 6		F - 4	90269-07076	D - 8	90387-28002	C - 12	90464-25160	D - 10	90560-10364	D - 7
90159-05004	F - 5		F - 9		F - 12	90387-2802W	C - 14		F - 11	91314-06020	C - 9
90159-05187	F - 5	90201-10321	E - 6		F - 13	90387-281T8	C - 15	90464-30001	G - 9		C - 10
90159-06085	F - 8		E - 7		F - 14	90387-32001	C - 14	90464-60067	B - 11	91314-06025	C - 9
90170-06228	D - 5	90201-10669	F - 7	90269-07077	D - 13	90387-3310V	C - 14		G - 9		C - 10
90170-20323	C - 12	90201-107K6	G - 7		E - 9	90387-53001	D - 2	90465-08028	B - 13	91314-06040	F - 6
90170-28379	D - 14	90201-113K2	B - 12	90280-05029	B - 3	90401-10172	F - 3		G - 7	91314-08016	D - 7
90176-06082	F - 10	90201-12013	D - 6	90338-06143	D - 8		F - 4	90465-08031	C - 10	91314-08030	D - 7
90176-10075	E - 3	90201-121H0	B - 3	90338-08009	E - 9		F - 8	90465-08033	G - 8		E - 5
90176-28083	E - 5	90201-12575	D - 5	90338-08163	F - 2	90401-20145	B - 13	90465-08122	B - 13		F - 2
90179-05523	E - 9	90201-12790	G - 7	90338-08226	D - 10	90430-06014	B - 8		C - 9	91314-08040	E - 7
	F - 10	90201-154E8	D - 5	90338-09012	F - 3		B - 9	90465-10098	G - 7	91314-10020	D - 7
90179-06009	D - 10	90201-166R5	E - 2		F - 4	90430-08119	B - 2	90465-10306	B - 13	91314-10030	D - 7
90179-08327	B - 3	90201-177G4	D - 5	90338-10132	D - 13	90430-08143	C - 10	90467-09006	B - 11	91314-12055	D - 7
90179-08673	C - 6	90201-181U5	E - 13	90338-16262	C - 7	90430-09002	C - 3	90467-10008	B - 11	91316-06020	F - 3
90179-10696	D - 7	90201-186H3	D - 14	90338-20263	C - 7	90430-10148	G - 7		E - 9		F - 4
90179-16661	E - 2	90201-231A2	E - 3	90340-14132	B - 13	90430-10171	E - 6	90467-10041	B - 15	91317-04035	G - 10
90179-22002	D - 2	90201-25008	C - 15		E - 3		E - 7	90467-11090	B - 9	91317-05010	E - 9
90179-28001	D - 2	90201-25013	C - 15	90340-14135	E - 3	90430-12202	G - 7		B - 11	91317-06012	D - 9
90179-30691	E - 5	90201-281U8	E - 5	90340-27001	B - 2	90445-09009	B - 11	90467-12003	C - 4	91317-06016	B - 8
90179-68001	D - 2	90201-286K9	C - 14	90340-32116	C - 10	90445-11003	B - 15	90467-13083	B - 11	91317-06020	G - 7
90179-88336	D - 2	90201-33008	C - 14	90380-20213	F - 6	90445-11018	E - 9	90467-14015	C - 2	91317-06025	B - 12
90183-04039	G - 10	90201-33013	C - 15	90387-060M9	D - 12	90445-11293	B - 15	90467-14057	F - 8		B - 13
90183-05024	F - 11	90202-05180	F - 12	90387-06014	F - 6	90445-163H7	F - 10	90467-160A1	C - 5		D - 12
	F - 12		F - 14	90387-06039	B - 10	90445-170K9	F - 7	90467-16009	C - 5		F - 2
	F - 13	90202-06058	D - 8	90387-062X0	F - 12	90445-197J2	F - 5	90467-170A1	C - 5		G - 2
	F - 14	90202-06170	D - 10	90387-064J1	B - 11	90446-17346	F - 8	90467-17003	C - 5	91317-06030	G - 6
90183-05061	F - 11	90202-10044	F - 10	90387-064M9	D - 12	90450-22017	B - 10	90467-20050	C - 5	91317-06040	B - 12
	F - 12	90202-30235	E - 5	90387-06605	F - 10	90450-28014	B - 10	90468-08104	B - 15	91317-06065	B - 2
90183-06053	F - 8	90206-12074	D - 6	90387-07006	D - 10	90450-38040	B - 8	90468-20123	G - 9	91317-08025	E - 7
90185-18104	D - 14	90209-21281	D - 2	90387-077M3	G - 6		B - 10	90480-13398	D - 13	91401-16012	F - 8

NUMERICAL INDEX

PART NO.	GRID NO.	PART NO.	GRID NO.	PART NO.	GRID NO.	PART NO.	GRID NO.	PART NO.	GRID NO.	PART NO.	GRID NO.
91401-25015	F - 5	93210-16325	B - 4	93511-32017	C - 12	95607-12200	E - 4	97707-50016	G - 5		
91701-06018	F - 8	93210-18417	B - 8	93603-09106	B - 12	95617-08620	B - 2		G - 8		
91701-08040	F - 5	93210-207A0	C - 7	93603-17070	B - 12	95617-10100	D - 14	97707-50125	B - 15		
91808-16023	B - 2	93210-23787	B - 9	93607-44190	B - 7		D - 15	97707-60016	D - 10		
91808-30031	B - 12	93210-25711	G - 2	93900-00030	E - 11	95706-06500	F - 4	97707-60020	G - 7		
91810-20001	B - 2	93210-27194	C - 9		E - 13	95707-05500	D - 13	98502-04012	F - 3		
92014-06020	C - 9	93210-32172	C - 10	94112-17027	E - 11	95707-06500	E - 10	98507-05006	C - 3		
92014-06025	D - 10	93210-33133	B - 8	94118-17020	E - 13		F - 12	98507-05010	E - 13		
92014-08012	C - 10	93210-40N50	E - 6	94581-85078	B - 13	95707-08500	E - 8	98507-05012	C - 3		
92017-05014	E - 9		E - 7	94591-49136	B - 7	95707-10500	F - 10	98507-05022	F - 2		
92017-08030	F - 8	93210-47675	B - 8	94701-00329	B - 2	95807-06012	F - 14	98507-05025	F - 2		
92017-08035	E - 8	93210-55669	G - 2	94701-00330	B - 2		G - 10	98507-05035	F - 2		
92902-04100	F - 3	93210-60426	E - 2	95024-06025	B - 8	95807-06020	C - 2	98507-05045	F - 2		
92902-04600	F - 3	93210-76546	D - 2		C - 13	95807-06040	F - 10	98507-06008	C - 9		
92903-20600	E - 13	93210-84724	D - 2		F - 3	95814-06020	E - 8	98507-06050	C - 3		
92904-08600	D - 15	93211-54698	E - 3	95027-06008	G - 9	95814-08025	C - 6	98706-04012	F - 3		
92907-05600	C - 4	93304-20508	C - 15	95027-06010	B - 9	95814-10040	C - 6		F - 4		
	F - 5	93306-00106	B - 8	95027-06012	B - 10	95817-06025	C - 12	98706-04016	F - 4		
92907-06100	B - 10	93306-00304	C - 12		D - 7	95817-06045	C - 7	98907-05008	G - 10		
92907-06200	F - 8	93306-00420	E - 11		D - 8	95817-06055	C - 7	99001-10600	D - 5		
92907-06600	B - 10	93306-00519	D - 2		F - 3	95817-06065	C - 7	99009-12400	B - 8		
92907-08700	E - 3	93306-20476	E - 13		F - 4	95817-06080	C - 7	99009-17400	D - 5		
92907-10200	F - 5	93306-20636	D - 2	95027-06014	F - 10	95817-08050	C - 7	99009-52500	D - 14		
92907-12600	D - 7	93306-20901	D - 2	95027-06016	G - 7	95817-08065	C - 7		E - 13		
92990-06600	C - 6	93306-30446	D - 14	95027-06020	B - 4	95817-08160	E - 8	99226-00160	E - 8		
	F - 8		E - 13	95027-06025	B - 7	95817-10030	D - 7	99227-00160	E - 8		
92990-10600	E - 3	93306-30533	E - 2		B - 9	95817-10050	E - 3	99530-08012	B - 13		
93101-12004	D - 5	93306-30557	C - 15		F - 3	95824-06020	D - 5		C - 9		
93101-25104	E - 13	93306-37209	C - 14	95027-06030	F - 9	95827-06012	B - 10		C - 10		
93101-30084	E - 2	93306-37810	C - 14	95027-08012	B - 2	95827-06016	C - 5		C - 13		
93101-38098	E - 2	93306-90901	D - 2	95027-08035	D - 7		D - 9	99530-10014	C - 7		
93102-12372	B - 8	93310-33306	C - 14	95304-06700	D - 5	95827-06025	B - 10	99530-10114	C - 7		
93102-25004	D - 2	93311-43729	E - 2	95307-05700	G - 2		D - 12				
93102-25270	D - 14	93315-11206	D - 5	95307-08700	F - 8	95827-06030	B - 10				
93102-28023	D - 14	93315-23607	B - 14	95307-10600	E - 6		G - 10				
	E - 13	93315-31759	D - 14		E - 7	97007-05016	C - 4				
93102-70167	E - 3	93316-01403	E - 2	95317-08600	E - 3	97007-06010	D - 14				
93106-28043	E - 11	93317-31701	D - 14	95604-06200	F - 6	97014-08040	D - 15				
93108-23007	E - 3	93317-42583	D - 14	95606-06100	F - 3	97080-06008	C - 6				
93109-08061	C - 12		E - 13	95607-04100	D - 11	97080-06020	G - 7				
93109-17071	D - 15	93399-99932	E - 5	95607-05100	G - 11	97307-06012	B - 10				
93210-06422	C - 12	93410-22039	E - 3	95607-06200	E - 4	97702-40610	G - 3				
93210-06667	B - 13	93410-23056	E - 3		F - 10	97707-40012	F - 13				
93210-09165	B - 13	93440-09141	B - 2	95607-08200	E - 14		F - 14				
93210-12790	C - 7	93440-31172	C - 14	95607-10100	F - 5	97707-40016	G - 4				
93210-14001	B - 13	93440-32063	C - 14	95607-10200	D - 7	97707-50016	F - 11				
93210-15566	B - 13	93450-19095	B - 3		D - 14		F - 14				
93210-16314	C - 7	93501-04011	F - 6		F - 7		G - 4				

CONTENTS

ENGINE

CYLINDER	B2
CRANKSHAFT. PISTON	B3
VALVE	B5
CAMSHAFT. CHAIN	B7
WATER PUMP	B8
RADIATOR. HOSE	B10
OIL PUMP	B12
OIL COOLER	B13
INTAKE	B15
INTAKE 2	C3
AIR INDUCTION SYSTEM	C5
EXHAUST	C6
CRANKCASE	C7
CRANKCASE COVER 1	C9
STARTER	C11
CLUTCH	C12
TRANSMISSION	C14
MIDDLE DRIVE GEAR	D2
SHIFT CAM. FORK	D4
SHIFT SHAFT	D5

CHASSIS

FRAME	D7
FENDER	D10
SIDE COVER	D13
REAR ARM	D14
DRIVE SHAFT	E2
REAR SUSPENSION	E4
STEERING	E5
FRONT FORK	E6
FUEL TANK	E8
SEAT	E10

FRONT WHEEL	E11
FRONT BRAKE CALIPER	E12
REAR WHEEL	E13
REAR BRAKE CALIPER	E15
STEERING HANDLE. CABLE	F2
FRONT MASTER CYLINDER	F3
FRONT MASTER CYLINDER 2	F4
STAND. FOOTREST	F5
REAR MASTER CYLINDER	F8
COWLING 1	F10
COWLING 2	F13
GENERATOR	F15
STARTING MOTOR	G2
FLASHER LIGHT	G3
METER	G4
HEADLIGHT	G5
TAILLIGHT	G6
ELECTRICAL 1	G7
ELECTRICAL 2	G9

INDEX

NUMERICAL INDEX	M1
-----------------------	----