

**PARTS  
CATALOGUE  
CATALOGO  
DE REPUESTOS**

**250A '02(61A1)**

**L250A'02(61B1)**

**YAMAHA**  
**GENUINE**  
Parts & Accessories

2A61A-200S1

**A1**

# FOREWORD

This Parts Catalogue is related to the parts for the model(s) in the below frame. When you are ordering replacement parts, please refer to this Parts Catalogue and quote both part numbers and part names correctly.

250A'02(61A1), L250A'02(61B1)

1. Modifications or additions which have been made after issue of the Parts Catalogue will be announced in the Yamaha Parts News. It is advisable that you make necessary corrections to the Parts Catalogue according to the Yamaha Parts News.

2. Abbreviations

The Following abbreviations are used in this Parts Catalogue.

“UR” Use specified parts number.

“UN” Use as many as needed.

“AP” Alternate Parts

“LM” Local Made

(Parts need to be ordered locally)

“O/S” Over Size

3. Parts, which are to be supplied in an assembly, are listed with a dot(.) in front of the part name as shown below.

EXAMPLE

CARBURETOR ASSY

.JET, PILOT

.NOZZLE, MAIN

4. Number of component for assembly

The numeral appearing to the right of each component part indicates the quantity of parts for each assembly unit.

EXAMPLE

PART NO.	DESCRIPTION	□	□	□	□	□	REMARKS
6E0-85500-70	C.D.I. MAGNETO ASSY	1					
6E0-85550-70	.ROTOR ASSY	1					
6E0-15723-00-94.	.PULLY, STARTER	1					

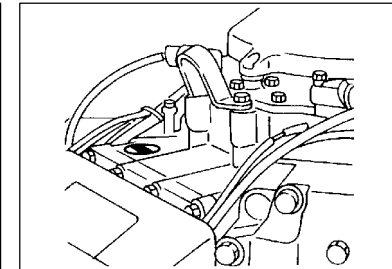
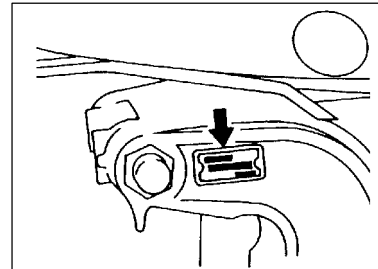
5. Quantity Column Information

NAME for Q'TY COLUMN	APPLICABLE MODEL
ETO	250AETO
ET	250AET
LETO	L250AETO
LET	L250AET

6. Applicable Starting Serial No. and Color Code

1) Engine Starting Serial No.

250AETO	61A X : 707165	L250AETO	61B X : 703202
	61A U : 800897		61B U : 800340
250AET	61A X : 751482	L250AET	61B X : 750938
	61A U : 850198		61B U : 850128



2) Color Code

Color Code	Color Name	Abbreviation
004D	DARK BLUISH GRAY METALLIC 2	DBNM2

7. Note that the illustrations for reference in finding parts numbers, not to be used for assembling. When assembling, please use the applicable service manual.

8. The asterisk (\*) before a reference number indicates modification items after the first edition.

# CONTENTS

SHEET 1/2

TOP COWLING ..... A4  
 CYLINDER. CRANKCASE 1 ..... A6  
 CRANKSHAFT. PISTON ..... B1  
 CYLINDER. CRANKCASE 2 ..... B3  
 INTAKE ..... B5  
 CARBURETOR ..... B7  
 OIL PUMP ..... C2  
 OIL TANK ..... C4  
 FUEL 1 ..... C6  
 FUEL 2 ..... D3  
 FUEL 3 ..... D5  
 FUEL 4 ..... D6  
 GENERATOR ..... D7  
 ELECTRICAL 1 ..... E1  
 ELECTRICAL 2 ..... E2  
 ELECTRICAL 3 ..... E3  
 ELECTRICAL 4 ..... E5  
 STARTING MOTOR ..... E6  
 BOTTOM COWLING ..... E7  
 CONTROL ..... F3  
 BRACKET 1 ..... F6

INDEX

NUMERICAL INDEX ..... G1

SHEET 2/2

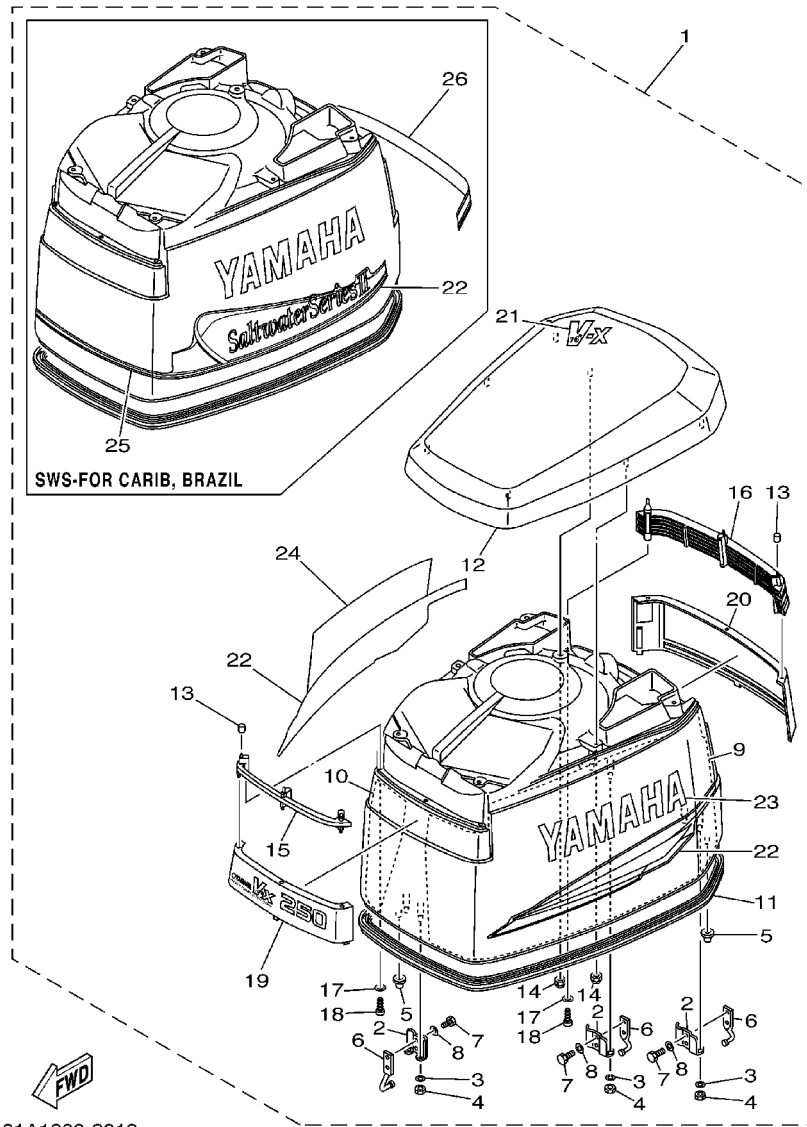
BRACKET 2 ..... A4\*  
 POWER TRIM & TILT ASSY ..... A6\*  
 UPPER CASING ..... B3\*  
 LOWER CASING. DRIVE 1 ..... B5\*  
 LOWER CASING. DRIVE 2 ..... C2\*  
 LOWER CASING. DRIVE 3 ..... C4\*  
 LOWER CASING. DRIVE 4 ..... D2\*  
 FUEL TANK ..... D4\*  
 STEERING GUIDE ATTACHMENT 1 ..... D5\*  
 STEERING GUIDE ATTACHMENT 2 ..... D6\*  
 REMOTE CONTROL BOX ..... D7\*  
 REMOTE CONTROL ASSY 1 ..... E1\*  
 REMOTE CONTROL ASSY 2 ..... E4\*  
 METER 1 ..... E7\*  
 METER 2 ..... F1\*  
 SWITCH. PANEL ..... F2\*  
 REPAIR KIT 1 ..... F3\*  
 REPAIR KIT 2 ..... F4\*  
 REPAIR KIT 3 ..... F5\*

INDEX

NUMERICAL INDEX ..... G1\*

FIG. 1 TOP COWLING

SOPORTE SUPERIOR



61A1200-2010

REF. NO.	PART NO. CODIGO NO.	DESCRIPTION DESCRIPTION	ETO	ET	LETO	LET	REMARKS OBSERVACION
1	61A-42610-50-NA	TOP COWLING ASSY SOPORTE SUPERIOR COMPL.	1	1	1	1	
	61A-42610-T0-NA	TOP COWLING ASSY SOPORTE SUPERIOR COMPL.	1		1		SWS-FOR CARIB, BRAZIL
2	6R3-42647-00	.HOLDER, CLAMP BAND .MORDAZA DE ABRAZADERA	3	3	3	3	
3	92990-06100	.WASHER, SPRING .ARANDELA	6	6	6	6	
4	95380-06600	.NUT, HEXAGON .TUERCA	6	6	6	6	
5	6R3-42662-00	.DAMPER .AMORTIGUADOR	3	3	3	3	
6	6R3-42814-00	.HOOK, CLAMP .GANCHO GRAMPA	3	3	3	3	
7	97095-06012	.BOLT .PERNO	6	6	6	6	
8	92995-06600	.WASHER .ARANDELA	6	6	6	6	
9	61A-42619-02	.DAMPER, FORM .HULE DE FORMA	1	1	1	1	
10	61A-42627-02	.DAMPER, FORM .AMORTIGUADOR FORMA 3	1	1	1	1	
11	61A-42615-01	.SEAL .SELLO	1	1	1	1	
12	61A-42613-01-4D	.MOLDING, AIR DUCT .MOLDURA CONDUCTO AIRE	1	1	1	1	
13	90385-04M05	.BUSH .BUJE	6	6	6	6	
14	90179-06M24	.NUT .TUERCA	7	7	7	7	
15	61A-42626-00	.LOUVER, 1 .AMORTIGUADOR 1	1	1	1	1	
16	61A-42636-00	.LOUVER 2 .REJILLA 2	1	1	1	1	
17	92990-04600	.WASHER, PLATE .ARANDELA	6	6	6	6	
18	97780-40520	.SCREW, TAPPING .TORNILLO ROSCA HEMBRA	6	6	6	6	
19	61A-42686-B0	.EMBLEM, FRONT .EMBLEMA DEL FRENTE	1	1	1	1	
	61A-42686-T0	.EMBLEM, FRONT .EMBLEMA DEL FRENTE	1		1		SWS-FOR CARIB, BRAZIL
20	61A-42687-30	.EMBLEM, REAR .EMBLEMA TRASERO	1	1	1	1	
	61A-42687-S1	.EMBLEM, REAR .EMBLEMA TRASERO	1		1		SWS-FOR CARIB, BRAZIL
21	61A-42683-A0	.MARK, COWLING .MARCA DE CUBIERTA	1	1	1	1	
	61A-42683-41	.MARK, COWLING .MARCA DE CUBIERTA	1		1		SWS-FOR CARIB, BRAZIL
22	61A-W0070-30	.GRAPHIC SET .JUEGO DE EMBLEMA	1	1	1	1	
	61A-W0070-S1	.GRAPHIC SET .JUEGO DE EMBLEMA	1		1		SWS-FOR CARIB, BRAZIL

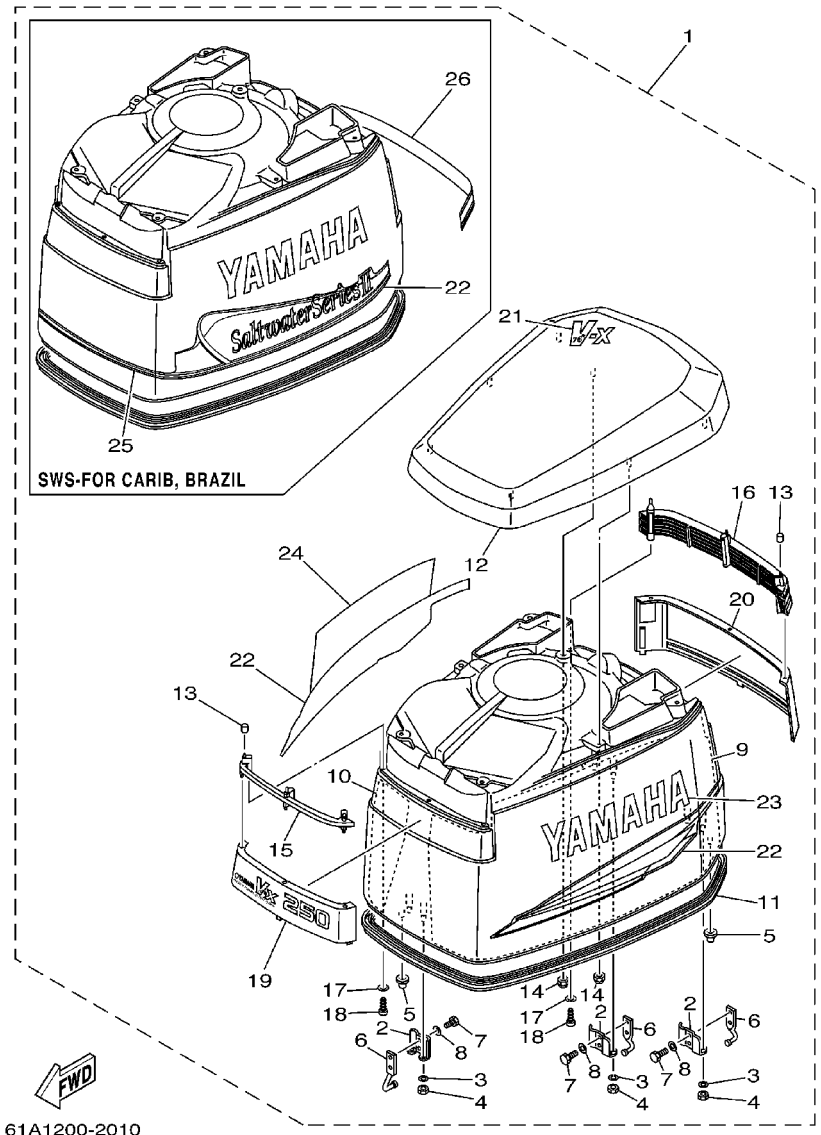
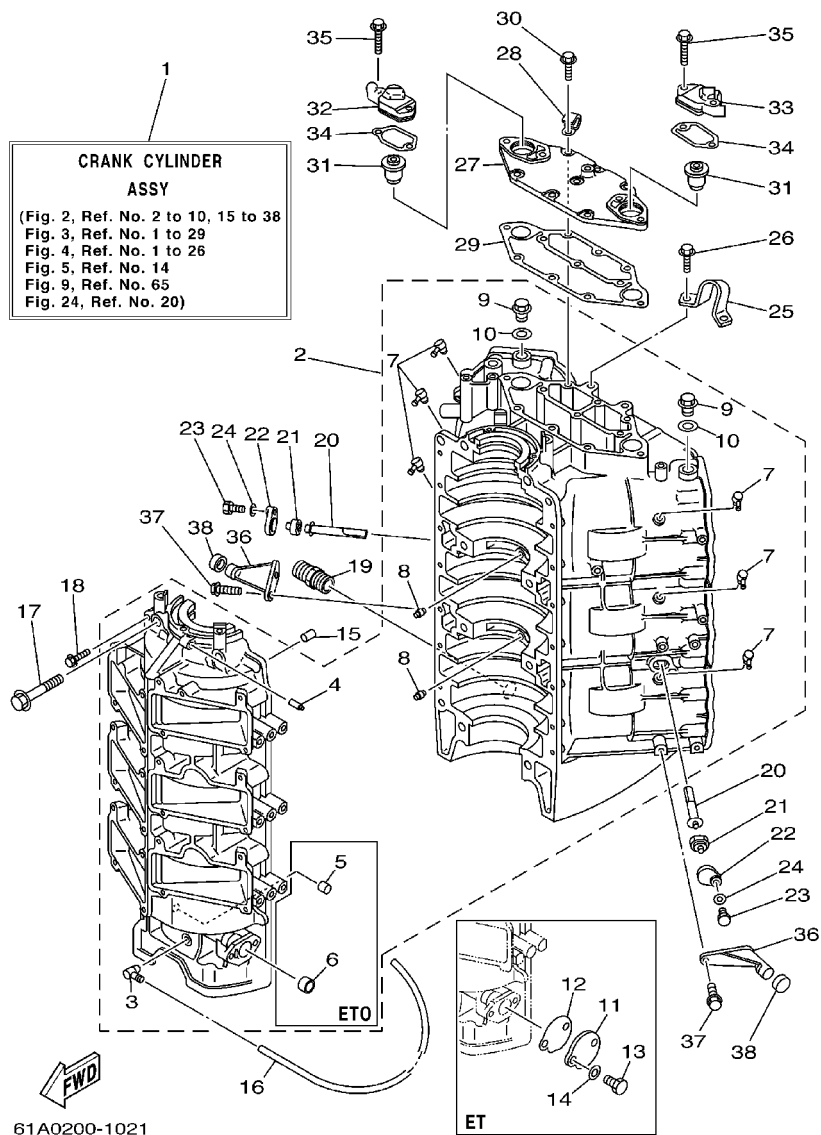


FIG. 1 TOP COWLING

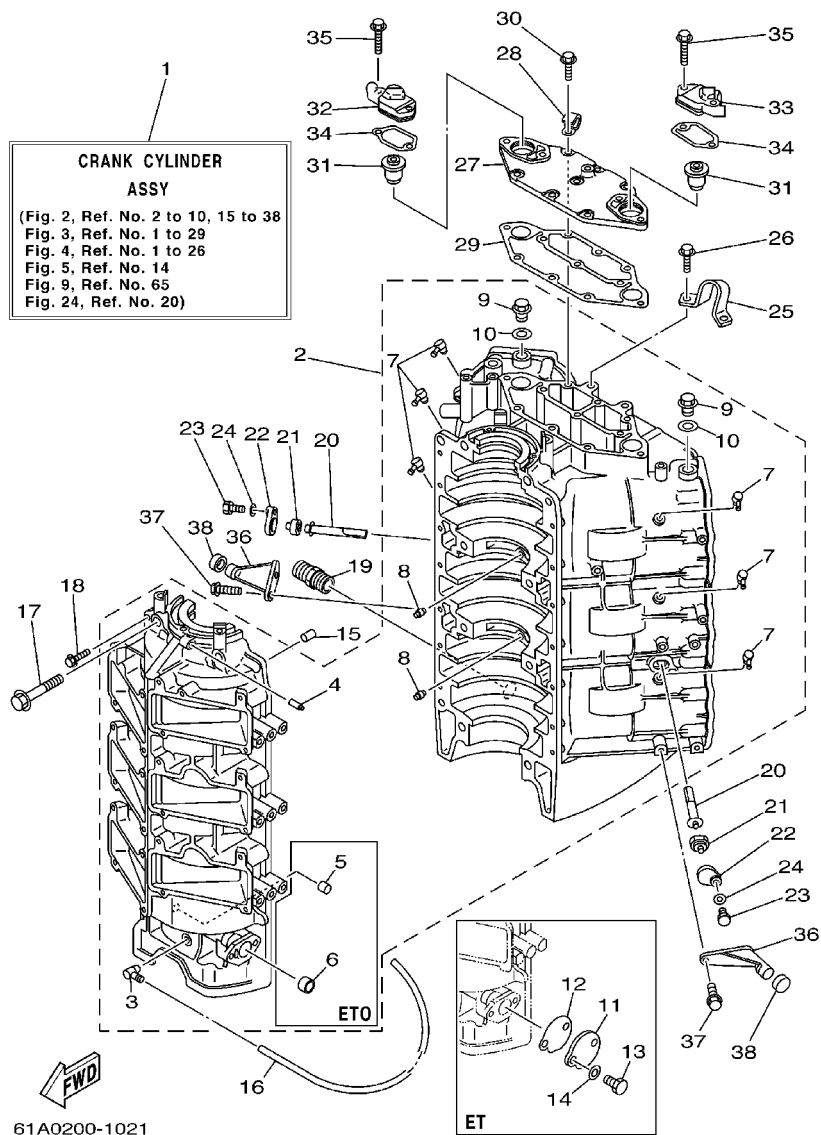
SOPORTE SUPERIOR

REF. NO.	PART NO. CODIGO NO.	DESCRIPTION DESCRIPTION	ETO	ET	LETO	LET	REMARKS OBSERVACION
23	61A-42681-30	.MARK, COWLING .MARCA DE CUBIERTA	1	1	1	1	
	61A-42681-S1	.MARK, COWLING .MARCA DE CUBIERTA	1		1		SWS-FOR CARIB, BRAZIL
24	61A-42682-30	.MARK, COWLING .MARCA DE CUBIERTA	1	1	1	1	
	61A-42682-S1	.MARK, COWLING .MARCA DE CUBIERTA	1		1		SWS-FOR CARIB, BRAZIL
25	61A-42677-S1	.GRAPHIC, FRONT .CALCAMONIA FRONTAL	1		1		SWS-FOR CARIB, BRAZIL
26	61A-4267A-S1	.GRAPHIC, REAR 2 .CALCAMONIA TRASERA 2	1		1		SWS-FOR CARIB, BRAZIL

FIG. 2 CYLINDER. CRANKCASE 1 CYLINDRO. CARTER 1



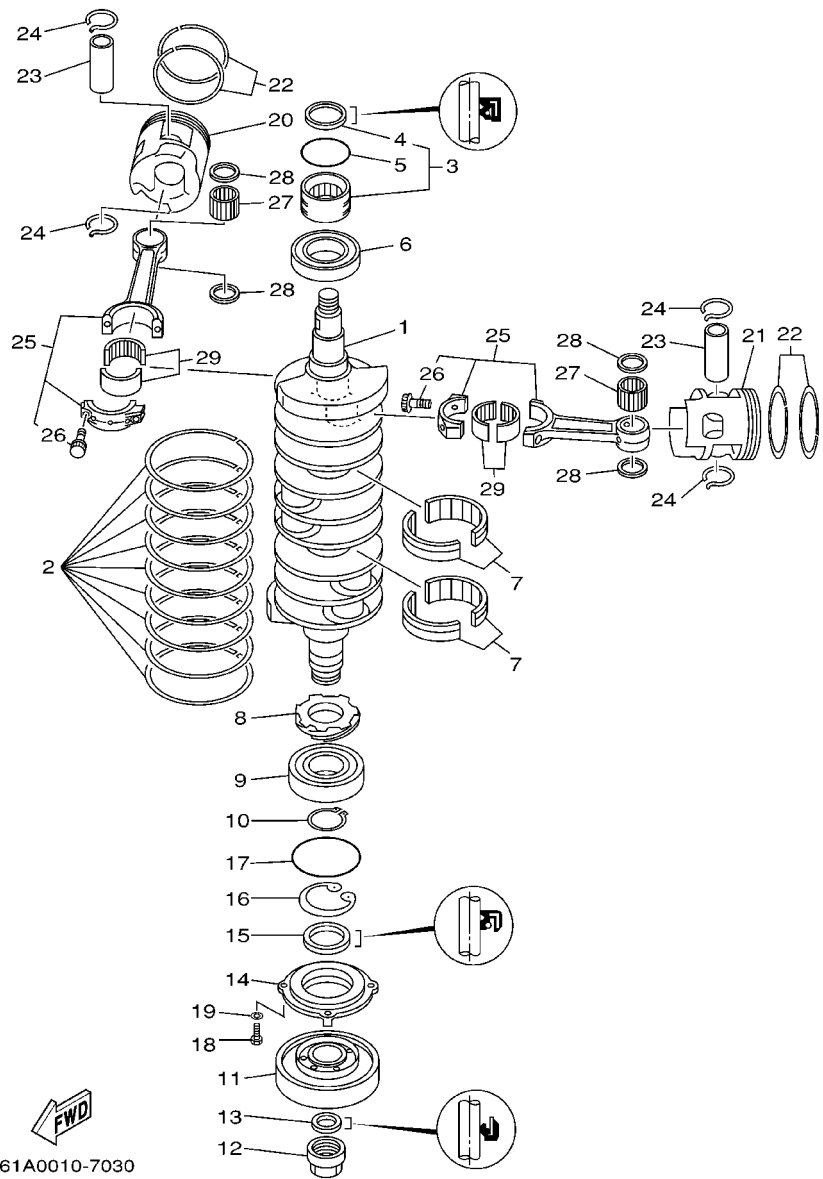
REF. NO.	PART NO. CODIGO NO.	DESCRIPTION DESCRIPTION	ETO	ET	LETO	LET	REMARKS OBSERVACION
1	61A-W0090-20-1S	CRANK CYLINDER ASSY BLOQUE MOTOR COMPLETO	1	1	1	1	
2	61A-15100-06-1S	CRANKCASE ASSY CARTER COMPLETO	1		1		
	61A-15100-13-1S	CRANKCASE ASSY CARTER COMPLETO			1	1	
3	6E5-11372-00	.NIPPLE, HOSE .NIPLE DE MANGUERA	1	1	1	1	
4	624-14485-00	.PIPE, JOINT .TUBO DE UNION	1	1	1	1	
5	90384-06M07	.BUSH, BIMETAL FORMED .BUJE BIMETALICO	1		1		
6	90383-16M01	.BUSH, FORMED .BUJE	1		1		
7	6E5-11372-00	.NIPPLE, HOSE .NIPLE DE MANGUERA	6	6	6	6	
8	663-11518-01	.LOCK, BEARING .SEGURO BALERO	2	2	2	2	
9	90340-14M00	.PLUG, STRAIGHT SCREW .TORNILLO DE DRENAJE	2	2	2	2	
10	90430-14115	.GASKET .JUNTA	2	2	2	2	
11	6R3-1131M-01	COVER CUBIERTA			1	1	
12	6R3-11397-01	GASKET EMPAQUE			1	1	
13	97013-06016	BOLT PERNO			2	2	
14	92903-06600	WASHER, PLATE ARANDELA			2	2	
15	93608-12063	PIN, DOWEL PASADOR DE CLAVIJA	2	2	2	2	
16	90445-07M11	HOSE (L610) TUBO (L610)	1	1	1	1	
17	90105-10M62	BOLT, FLANGE TORNILLO	8	8	8	8	
18	90119-06M13	BOLT, WITH WASHER TORNILLO CON ARANDELA	14	14	14	14	
19	6G5-12581-00	JOINT, HOSE 1 CONEXION	1	1	1	1	
20	61A-11325-00	ANODE ANODO	2	2	2	2	
21	6H3-11328-00	GROMMET, ANODE TAPON	2	2	2	2	
22	6H3-11327-00-1S	COVER, ANODE CUBIERTA	2	2	2	2	
23	97013-06016	BOLT PERNO	2	2	2	2	
24	92903-06600	WASHER, PLATE ARANDELA	2	2	2	2	
25	6E5-11119-01	HANGER, ENGINE SOPORTE DEL MOTOR	1	1	1	1	
26	90119-08MA3	BOLT, WITH WASHER TORNILLO CON ARANDELA	2	2	2	2	



61A0200-1021

FIG. 2 CYLINDER. CRANKCASE 1 CYLINDRO. CARTER 1

REF. NO.	PART NO. CODIGO NO.	DESCRIPTION DESCRIPTION	ETO	ET	LETO	LET	REMARKS OBSERVACION
27	61A-11371-00-1S	COVER CUBIERTA 1	1	1	1	1	
28	90465-06M86	CLAMP BRIDA	2	2	2	2	
29	61A-11381-A0	GASKET 1 EMPAQUE 1	1	1	1	1	
30	90119-06MA2	BOLT, WITH WASHER TORNILLO CON ARANDELA	7	7	7	7	
31	6E5-12411-20	THERMOSTAT TERMOSTAT	2	2	2	2	
32	61A-12413-00-1S	COVER, THERMOSTAT CUBIERTA TERMOSTATO	1	1	1	1	
33	61A-12413-10-1S	COVER, THERMOSTAT CUBIERTA TERMOSTATO	1	1	1	1	
34	61A-12414-A0	GASKET, COVER EMPAQUE	2	2	2	2	
35	90119-06MA5	BOLT, WITH WASHER TORNILLO CON ARANDELA	4	4	4	4	
36	6E5-42761-00-1S	STOPPER RETEN 1	2	2	2	2	
37	90119-06MA2	BOLT, WITH WASHER TORNILLO CON ARANDELA	4	4	4	4	
38	68F-44533-00	DAMPER, UPPER MOUNT RUBBER AMORTIGUADOR SUPERIOR	2	2	2	2	



61A0010-7030

FIG. 3 CRANKSHAFT. PISTON

CIGUENAL. PISTON

REF. NO.	PART NO. CODIGO NO.	DESCRIPTION DESCRIPTION	ETO	ET	LETO	LET	REMARKS OBSERVACION
1	61A-11411-00	CRANKSHAFT CIGUENAL	1	1	1	1	
2	61A-11447-00	SEAL, CRANK SELLO MANIVELA	9	9	9	9	
3	93311-940V0	BEARING COJINETE	1	1	1	1	
4	93102-40M38	.OIL SEAL .SELLO ACEITE	1	1	1	1	
5	93210-54M54	O-RING ANILLO O	1	1	1	1	
6	93306-209U1	BEARING COJINETE	1	1	1	1	
7	93310-959U0	BEARING COJINETE	2	2	2	2	
8	61A-11536-00	GEAR, DRIVE ENGRANAJE TRACCION	1	1	1	1	
9	93306-308U0	BEARING COJINETE	1	1	1	1	
10	93410-40M03	CIRCLIP BOLA	1	1	1	1	
11	61A-11586-01	PULLEY, CRANKSHAFT BALANCE POLEA EQUILIBR. DE CIGUENAL	1	1	1	1	
12	61A-11555-01	NUT, CRANKSHAFT 1 TUERCA CIGUENAL 1	1	1	1	1	
13	93104-22M07	OIL SEAL SELLO ACEITE	1	1	1	1	
14	61A-15359-00-94	HOUSING, OIL SEAL CAJA DE SELLO DE ACEITE	1	1	1	1	
15	93102-40M36	OIL SEAL SELLO ACEITE	1	1	1	1	
16	93420-61M07	CIRCLIP BOLA	1	1	1	1	
17	93210-81MA6	O-RING ANILLO O	1	1	1	1	
18	97095-06020	BOLT PERNO	4	4	4	4	
19	92995-06100	WASHER, SPRING ARANDELA	4	4	4	4	
20	69L-11631-00-85	PISTON (STD) PISTON (STD)	3	3	3	3	
	69L-11635-00	PISTON (0.25MM O/S) PISTON (0.25MM O/S)	3	3	3	3	AP
	69L-11636-00	PISTON (0.50MM O/S) PISTON (0.50MM O/S)	3	3	3	3	AP
21	69L-11642-00-85	PISTON 2 (STD) PISTON 2 (STD)	3	3	3	3	
	69L-11645-00	PISTON 2 (0.25MM O/S) PISTON 2 (0.25MM O/S)	3	3	3	3	AP
	69L-11646-00	PISTON 2 (0.50MM O/S) PISTON 2 (0.50MM O/S)	3	3	3	3	AP
22	64D-11603-01	PISTON RING SET (STD) JUEGO DE ANILLOS (STD)	6	6	6	6	
	64D-11604-01	PISTON RING SET (0.25MM O/S) JUEGO DE ANILLOS (0.25MM O/S)	6	6	6	6	AP

B1



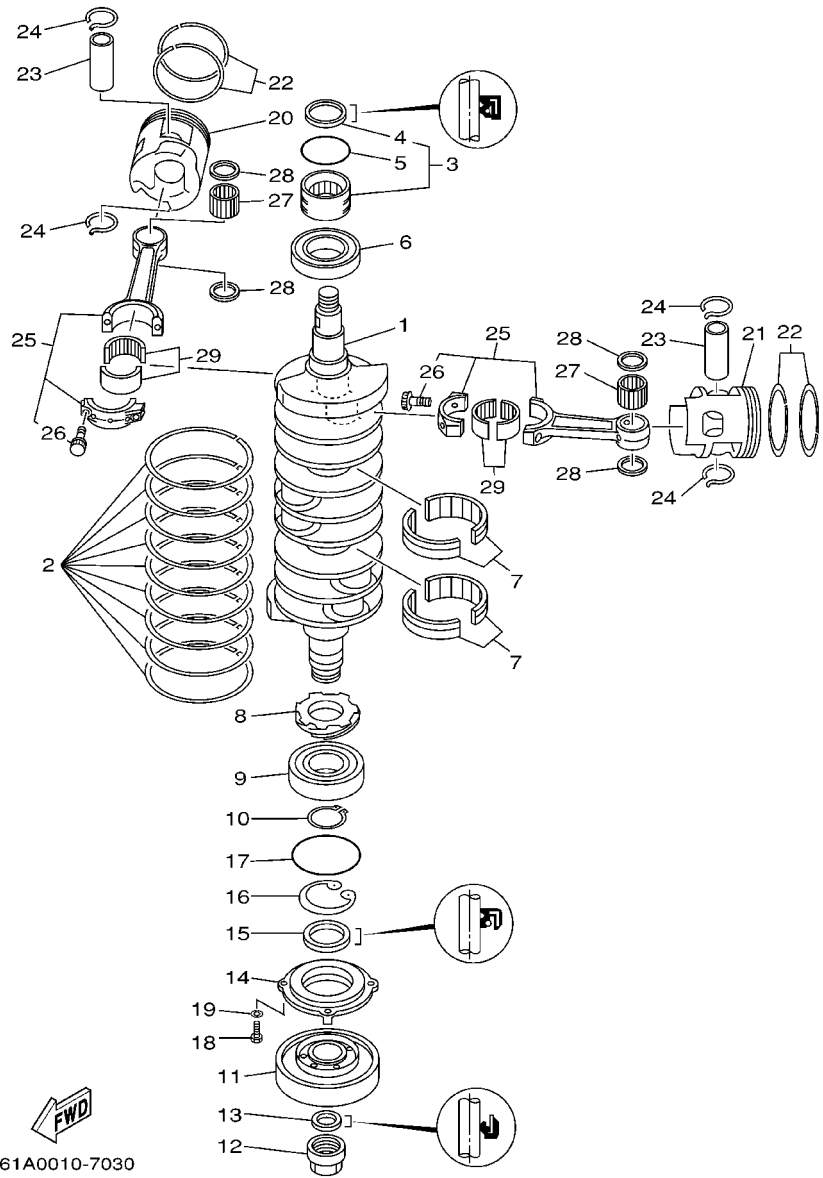
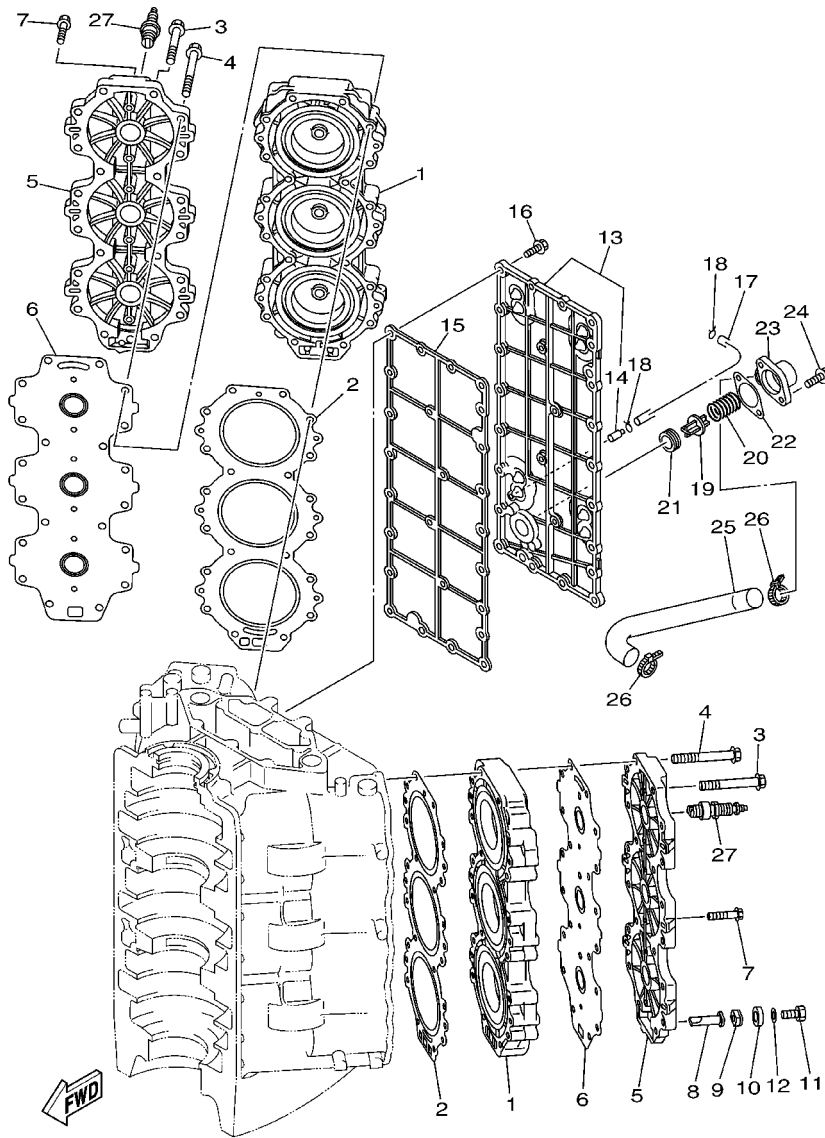


FIG. 3 CRANKSHAFT. PISTON CIGUENAL. PISTON

REF. NO.	PART NO. CODIGO NO.	DESCRIPTION DESCRIPTION	ETO	ET	LETO	LET	REMARKS OBSERVACION
22	64D-11605-01	PISTON RING SET (0.50MM O/S) JUEGO DE ANILLOS (0.50MM O/S)	6	6	6	6	AP
23	61A-11633-02	PIN, PISTON PASADOR, PISTON	6	6	6	6	
24	61A-11634-00	CLIP, PISTON PIN PRESILLA, BULON DE PISTON	12	12	12	12	
25	61A-11650-00	CONNECTING ROD ASSY BIELA COMPLETA	6	6	6	6	
26	90109-09001	.BOLT .PERNO	2	2	2	2	
27	93310-326V4	BEARING COJINETE	6	6	6	6	
28	90201-26M03	WASHER, PLATE ARANDELA PLANA	12	12	12	12	
29	93310-840V8	BEARING COJINETE	6	6	6	6	

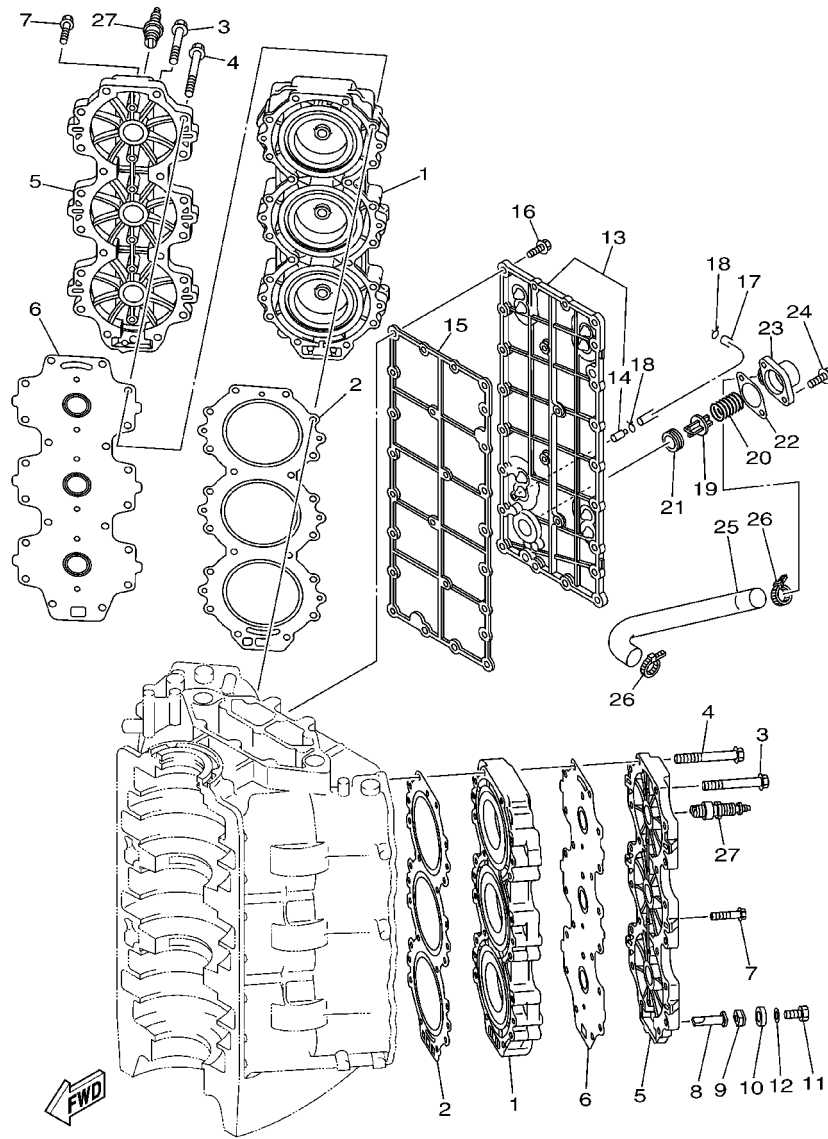
FIG. 4 CYLINDER. CRANKCASE 2 CILINDRO. CARTER 2



61A0010-0040

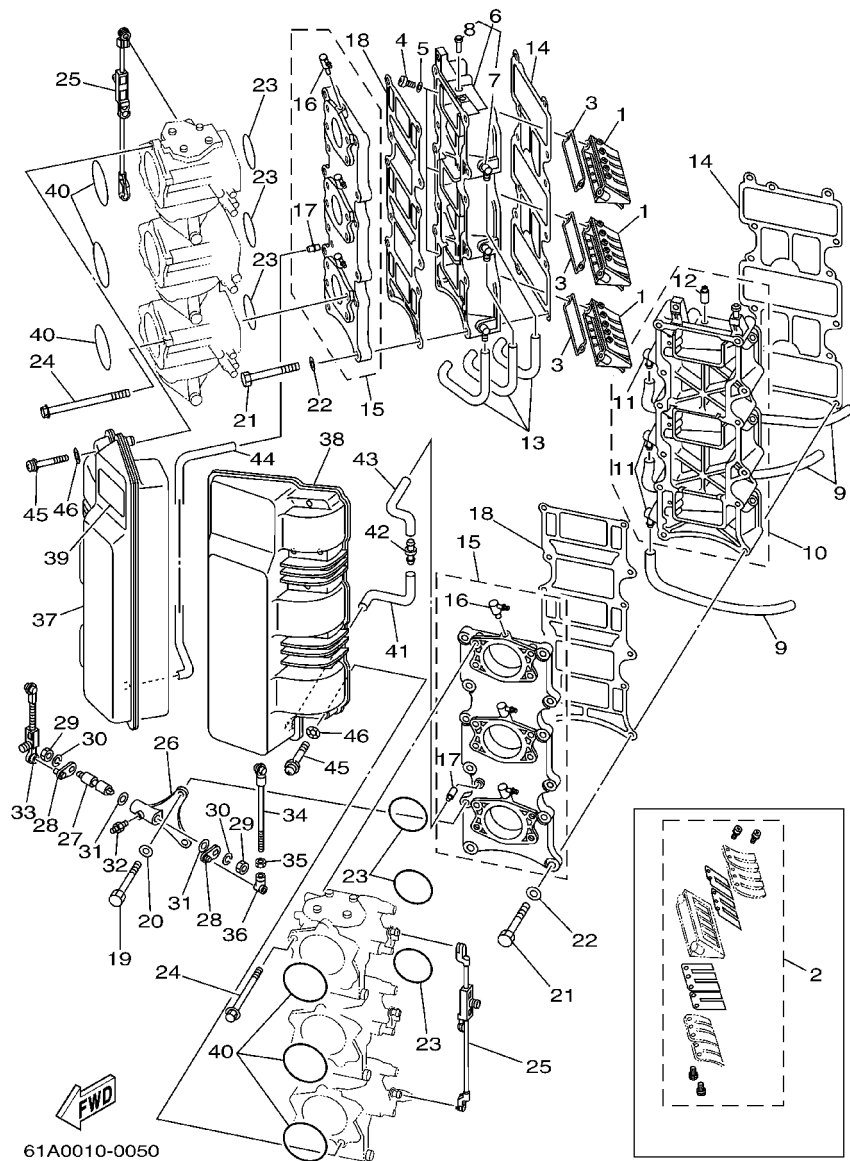
REF. NO.	PART NO. CODIGO NO.	DESCRIPTION DESCRIPTION	ETO	ET	LETO	LET	REMARKS OBSERVACION
1	62J-11111-01-1S	HEAD, CYLINDER 1 CULATA CILINDRO 1	2	2	2	2	
2	69L-11181-00	GASKET, CYLINDER HEAD 1 JUNTA, DE CULATA 1	2	2	2	2	
3	90119-08MA5	BOLT, WITH WASHER TORNILLO CON ARANDELA	3	3	3	3	
4	90119-08M99	BOLT, WITH WASHER TORNILLO CON ARANDELA	37	37	37	37	
5	61A-11191-00-1S	COVER, CYLINDER HEAD 1 TAPA CULATA DE CILINDRO 1	2	2	2	2	
6	61A-11193-A1	GASKET, HEAD COVER 1 EMPAQUE	2	2	2	2	
7	90119-06MA5	BOLT, WITH WASHER TORNILLO CON ARANDELA	12	12	12	12	
8	6J8-11325-00	ANODE ANODO	2	2	2	2	
9	6H3-11328-00	GROMMET, ANODE TAPON	2	2	2	2	
10	6H3-11327-00-1S	COVER, ANODE CUBIERTA	2	2	2	2	
11	97013-06016	BOLT PERNO	2	2	2	2	
12	92903-06600	WASHER, PLATE ARANDELA	2	2	2	2	
13	61A-41113-00-1S	OUTER COVER, EXHAUST CUBOERTA EXTERIOR DE ESCAPE	1	1	1	1	
14	650-24378-00	PIPE, JOINT 4 .TUBO DE UNION 4	1	1	1	1	
15	61A-41112-A0	GASKET, EXHAUST INNER COVER EMPAQUE	1	1	1	1	
16	90119-06MA3	BOLT, WITH WASHER TORNILLO CON ARANDELA	25	25	25	25	
17	61A-24312-00	PIPE 2 TUBO 2	1	1	1	1	
18	90467-08004	CLIP PRESILLA	2	2	2	2	
19	6G5-12416-00	VALVE, PRESSURE CONTROL VALVULA DE CONTROL DE PRESION	1	1	1	1	
20	90501-16M11	SPRING, COMPRESSION RESORTE DE COMPRESION	1	1	1	1	
21	90480-20M05	GROMMET TAPON	1	1	1	1	
22	6G5-11382-A1	GASKET 2 EMPAQUE 2	1	1	1	1	
23	6G5-11372-00-1S	COVER, BYPASS 2 CUBIERTA	1	1	1	1	
24	90119-06MA2	BOLT, WITH WASHER TORNILLO CON ARANDELA	2	2	2	2	
25	61A-12576-00	HOSE 1 MANGUERA 1	1	1	1	1	
26	90465-13M18	CLAMP BRIDA	2	2	2	2	
27	94702-00247	PLUG, SPARK (NGK BR8HS-10) BUJIA (NGK BR8HS-10)	6	6	6	6	

FIG. 4 CYLINDER. CRANKCASE 2 CYLINDRO. CARTER 2



61A0010-0040

REF. NO.	PART NO. CODIGO NO.	DESCRIPTION DESCRIPTION	ETO	ET	LETO	LET	REMARKS OBSERVACION
27	94702-00309	PLUG, SPARK (NGK BR9HS-10) BUJIA (NGK BR9HS-10)	6		6		SWS-FOR CARIB, BRAZIL

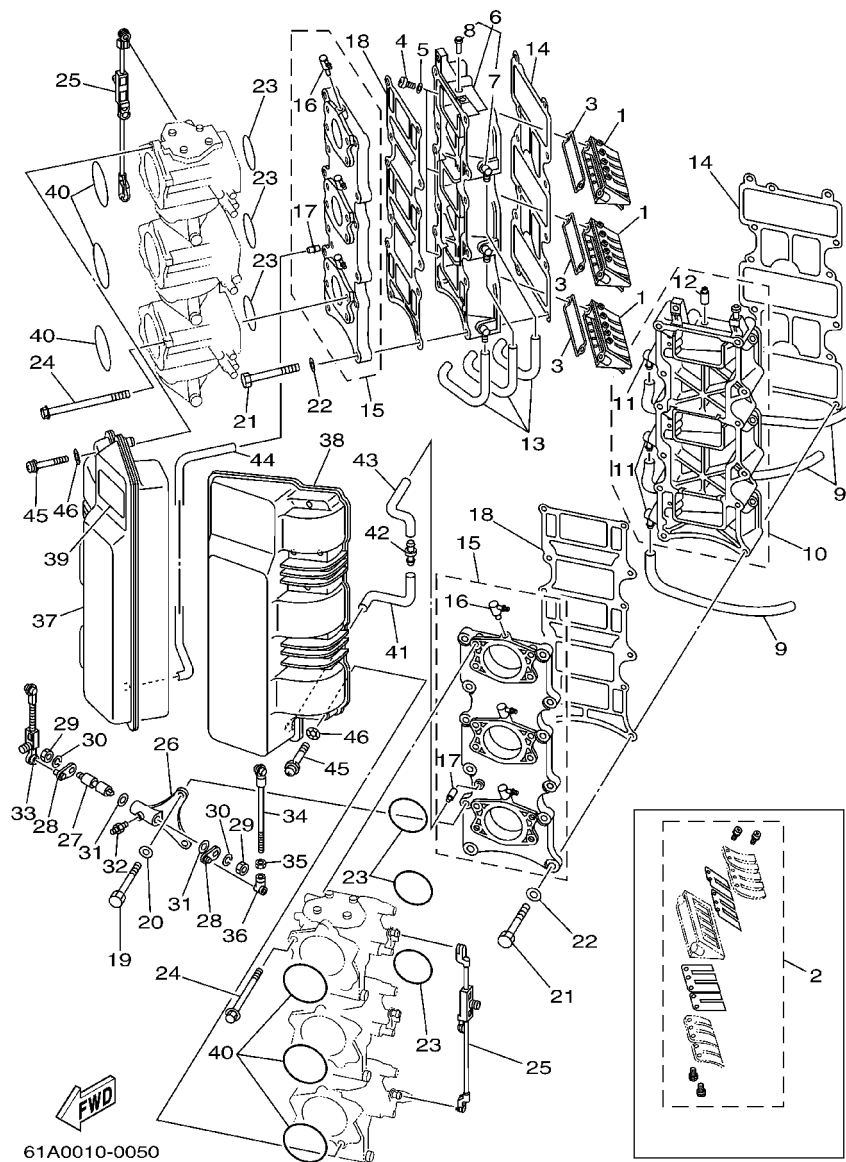


61A0010-0050

FIG. 5 INTAKE

ADMISION

REF. NO.	PART NO. CODIGO NO.	DESCRIPTION DESCRIPTION	ETO	ET	LETO	LET	REMARKS OBSERVACION
1	65L-13610-01	REED VALVE ASSY VALVULA DE LAMINAS COMPLETA	6	6	6	6	
2	65J-W0004-01	.REED SET .JUEGO DE VALVULAS DE LENGUETA	1	1	1	1	
3	61A-13621-A0	GASKET, VALVE SEAT JUNTA, DE VALV.DE EMPAQUE	6	6	6	6	
4	97880-05016	SCREW, PAN HEAD TORNILLO DE CABEZA CON PLANA	12	12	12	12	
5	92990-05600	WASHER, PLATE ARANDELA	12	12	12	12	
6	61A-13624-20-1S	PLATE, REED VALVE PLACA DE VALVULA DE LAMINAS	1	1	1	1	
7	6E5-11372-00	.NIPPLE, HOSE .NIPLE DE MANGUERA	3	3	3	3	
8	650-24378-00	.PIPE, JOINT 4 .TUBO DE UNION 4	1	1	1	1	
9	90445-07M20	HOSE (L405) TUBO (L405)	3	3	3	3	
10	61A-13624-30-1S	PLATE, REED VALVE PLACA DE VALVULA DE LAMINAS	1	1	1	1	
11	6E5-11372-00	.NIPPLE, HOSE .NIPLE DE MANGUERA	3	3	3	3	
12	650-24378-00	.PIPE, JOINT 4 .TUBO DE UNION 4	1	1	1	1	
13	90445-07M45	HOSE (L340) TUBO (L340)	3	3	3	3	
14	61A-13646-00	GASKET, MANIFOLD 2 EMPAQ. DE MULTIPLE 2	2	2	2	2	
15	61A-13641-00-1S	MANIFOLD 1 MULTIPLE 1	2				
	61A-13641-10-1S	MANIFOLD 1 MULTIPLE 1		2		2	
16	61A-13552-00	.NOZZLE .BOQUILLA	3			3	
17	624-14485-00	.PIPE, JOINT .TUBO DE UNION	1	1	1	1	
18	61A-13645-00	GASKET, MANIFOLD 1 EMPAQUE	2	2	2	2	
19	97013-06070	BOLT PERNO	2	2	2	2	
20	92903-06600	WASHER, PLATE ARANDELA	2	2	2	2	
21	97013-06065	BOLT PERNO	22	22	22	22	
22	92903-06600	WASHER, PLATE ARANDELA	22	22	22	22	
23	93210-50MA8	O-RING ANILLO O	6	6	6	6	
24	90105-06M55	BOLT, FLANGE TORNILLO	24	24	24	24	
25	61A-41217-01	ROD, ACCËL. LEVER VARILLA PALANCA ACELERADOR	2	2	2	2	
26	61A-41663-00-1S	BRACKET 3 RONDANA	1	1	1	1	



61A0010-0050

FIG. 5 INTAKE

ADMISION

REF. NO.	PART NO. CODIGO NO.	DESCRIPTION DESCRIPTION	ETO	ET	LETO	LET	REMARKS OBSERVACION
27	61A-41242-00	ROD 2 VARILLA 2	1	1	1	1	
28	61A-41280-00	ACCEL. LEVER ASSY CONJUNTO PALANCA ACELERADOR	2	2	2	2	
29	95380-06600	NUT, HEXAGON TUERCA	2	2	2	2	
30	92990-06100	WASHER, SPRING ARANDELA	2	2	2	2	
31	90202-08M41	WASHER, PLATE ARANDELA DE PLANA	2	2	2	2	
32	93700-06M03	NIPPLE, GREASE NIPLE DE ENGRASAR	1	1	1	1	
33	61A-41211-01	LINK, ACCEL. ESLABON, ACELERADOR	1	1	1	1	
34	6J8-41237-00	JOINT, LINK CONECTOR	1	1	1	1	
35	95380-05600	NUT TUERCA	1	1	1	1	
36	6H4-41237-00	JOINT, LINK CONECTOR	1	1	1	1	
37	61A-14440-03	SILENCER ASSY, INTAKE SILENCIADOR COMPL DE ADMISION	1	1	1	1	
38	61A-14440-10	SILENCER ASSY, INTAKE SILENCIADOR COMPL DE ADMISION	1	1	1	1	
39	61A-1441K-01	EMBLEM EMBLEMA	1	1	1	1	
40	93210-60ME8	O-RING ANILLO O	6	6	6	6	
41	90445-07254	HOSE (L118) TUBO (L118)	1	1	1	1	
42	6E5-13132-00	JOINT JUNTA	1	1	1	1	
43	90445-07258	HOSE (L200) TUBO (L200)	1	1	1	1	
44	90445-07M44	HOSE (L250) TUBO (L250)	1	1	1	1	
45	90159-06M16	SCREW, WITH WASHER TORNILLO CON VALONA	18	18	18	18	
46	90209-06M05	WASHER ARANDELA DE SEPARACION	18	18	18	18	

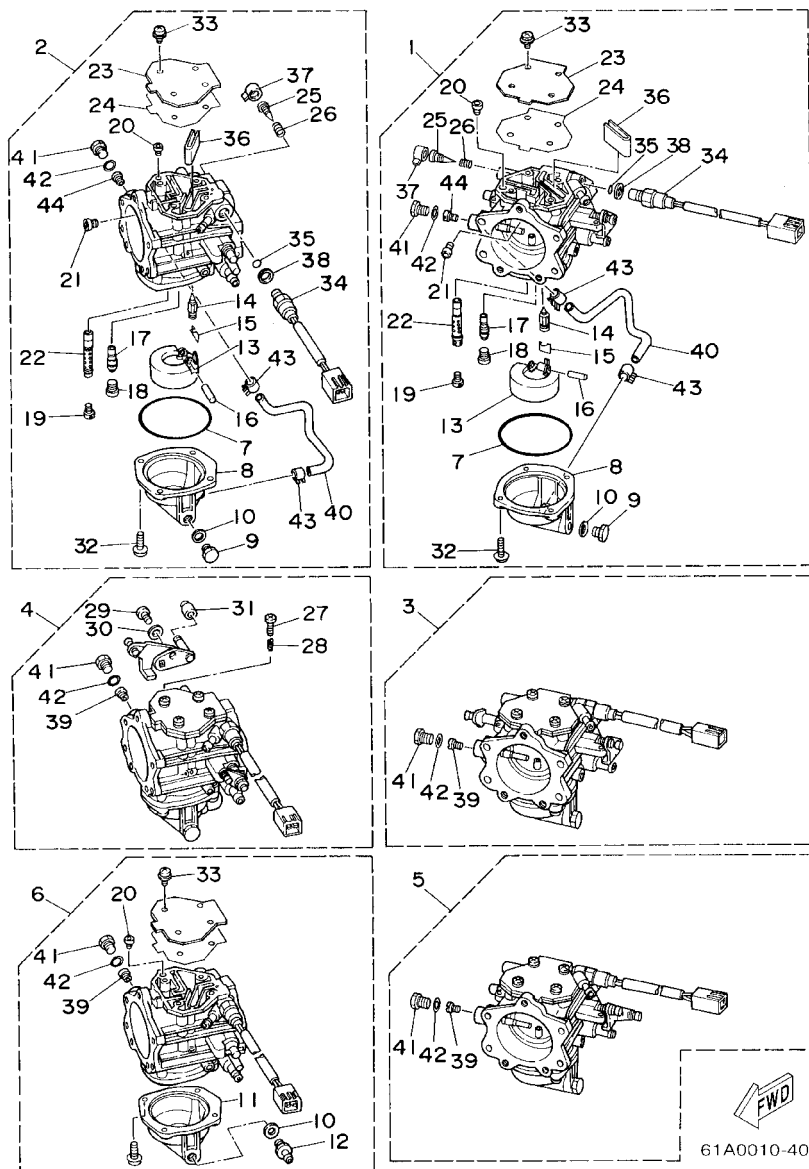


FIG. 6 CARBURETOR

CARBURADOR

REF. NO.	PART NO. CODIGO NO.	DESCRIPTION DESCRIPTION	ETO	ET	LETO	LET	REMARKS OBSERVACION
1	61A-14100-06	CARBURETOR ASSY 1 CARBURADOR COMPL. 1	1	1	1	1	
	61A-14100-S1	CARBURETOR ASSY 1 CARBURADOR COMPL. 1	1		1		SWS-FOR CARIB, BRAZIL
2	61A-14301-06	CARBURETOR ASSY 2 CARBURADOR COMPL. 2	1	1	1	1	
	61A-14301-S1	CARBURETOR ASSY 2 CARBURADOR COMPL. 2	1		1		SWS-FOR CARIB, BRAZIL
3	61A-14101-06	CARBURETOR ASSY 3 CARBURADOR COMPL. 3	1	1	1	1	
	61A-14101-S1	CARBURETOR ASSY 3 CARBURADOR COMPL. 3	1		1		SWS-FOR CARIB, BRAZIL
4	61A-14302-06	CARBURETOR ASSY 4 CARBURADOR COMPL. 4	1	1	1	1	
	61A-14302-S1	CARBURETOR ASSY 4 CARBURADOR COMPL. 4	1		1		SWS-FOR CARIB, BRAZIL
5	61A-14102-06	CARBURETOR ASSY 5 CARBURADOR COMPL. 5	1	1	1	1	
	61A-14102-S1	CARBURETOR ASSY 5 CARBURADOR COMPL. 5	1		1		SWS-FOR CARIB, BRAZIL
6	61A-14303-06	CARBURETOR ASSY 6 CARBURADOR COMPL. 6	1	1	1	1	
	61A-14303-S1	CARBURETOR ASSY 6 CARBURADOR COMPL. 6	1		1		SWS-FOR CARIB, BRAZIL
7	61A-14384-00	.GASKET, FLOAT CHAMBER .EMPAQUE DE CAMARA DE BOIA	6	6	6	6	
8	61A-14381-11	.BODY, FLOAT CHAMBER .CUERPO DE CAMARA DE BOIA	5	5	5	5	#1,2,3,4,5
9	61A-14383-01	.SCREW, DRAIN .TORNILLO DE DRENAJE	5	5	5	5	#1,2,3,4,5
10	61A-14995-00	.GASKET .EMPAQUE	6	6	6	6	
11	61A-14381-01	.BODY, FLOAT CHAMBER .CUERPO DE CAMARA DE BOIA	1	1	1	1	#6
12	61A-14383-10	.SCREW, DRAIN .TORNILLO DE DRENAJE	1	1	1	1	#6
13	61A-14385-00	.FLOAT .BOIA	6	6	6	6	
14	6E5-14546-00	.VALVE, NEEDLE .VALVULA DE AGUJA	6	6	6	6	
15	6E5-14159-00	.CLIP .PRESILLA	6	6	6	6	
16	61A-14386-00	.PIN, FLOAT .PASADOR DE BOIA	6	6	6	6	
17	61A-1492F-50	.JET, AIR SLOW .ESPREA	6	6	6	6	
18	61A-14394-00	.VALVE, DRAIN .VALVULA DE DRENAJE	6	6	6	6	
19	62J-1492E-81	.JET, MAIN (#162) .INJECTOR, PRINCIPAL (#162)	4	4	4	4	#1,2,4,6
	62J-1492E-80	.JET, MAIN (#160) .INJECTOR, PRINCIPAL (#160)	2		2		#3,5
	62J-1492E-80	.JET, MAIN (#160) .INJECTOR, PRINCIPAL (#160)	2	2	2	2	SWS-#1,2

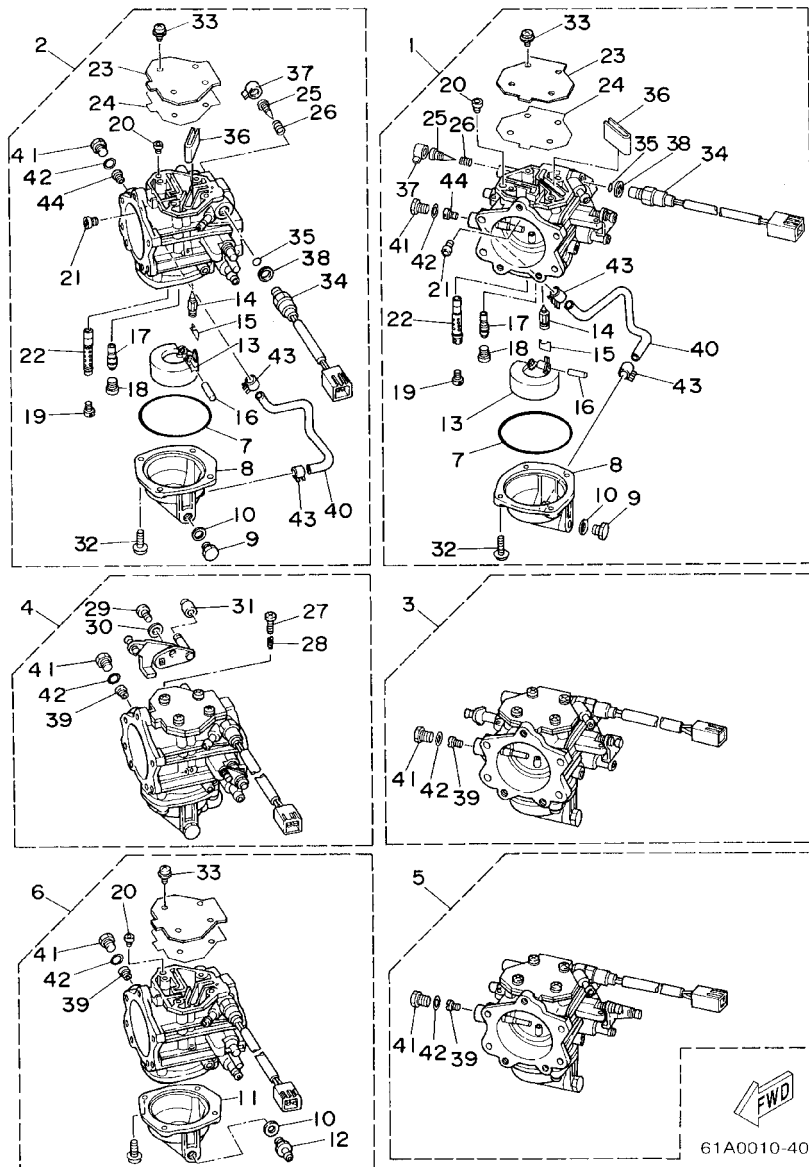


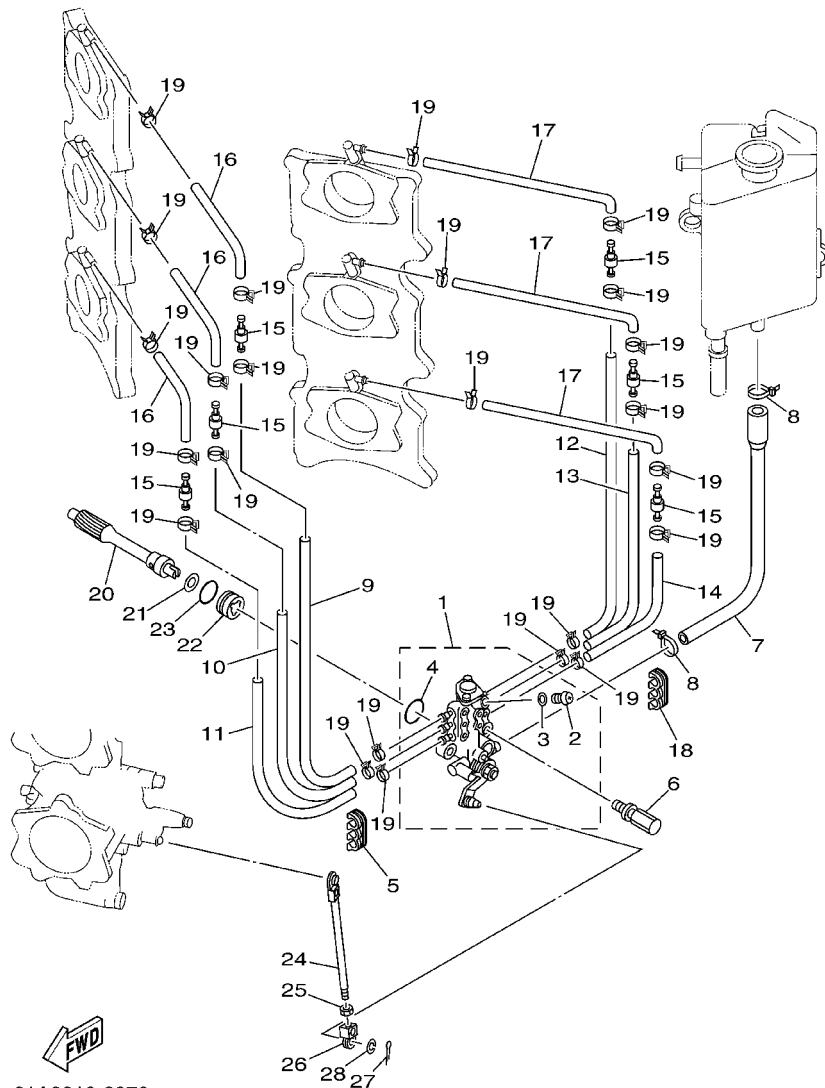
FIG. 6 CARBURETOR

CARBURADOR

REF. NO.	PART NO. CODIGO NO.	DESCRIPTION DESCRIPTION	ETO	ET	LETO	LET	REMARKS OBSERVACION
19	62J-1492E-79	.JET, MAIN .INYECTOR, PRINCIPAL	4		4		SWS-#3,4,5,6
20	61A-1492G-52	.JET, MAIN AIR BLEED (#260) .ESPREA PRINCIPAL (#260)	6	6	6	6	
21	61A-1492H-14	.JET, SLOWAIR BLEED (#70) .ESPREA AIRE (#70)	6	6	6	6	
22	61A-1492A-01	.NOZZLE, MAIN .BOQUILLA, PRINCIPAL	6	6	6	6	
23	61A-14527-00	.PLATE .PLACA	6	6	6	6	
24	61A-14959-00	.GASKET .EMPAQUE	6	6	6	6	
25	6E5-14323-03	.SCREW, AIR ADJUSTING .TORNILLO DE AJUSTE DE AIRE	6	6	6	6	
26	6E5-14223-00	.SPRING, AIR ADJUSTING .RESORTE, AJUSTE DE AIRE	6	6	6	6	
27	6E5-14321-00	.SCREW, THROTTLE .TORNILLO DE OBTURADOR	1	1	1	1	#4
28	6J8-14334-00	.SPRING, THROTTLE .RESORTE, DE AJUSTADOR DE AIRE	1	1	1	1	#4
29	6J8-14592-01	.SCREW .TORNILLO	1	1	1	1	#4
30	92990-05600	.WASHER, PLATE .ARANDELA	1	1	1	1	#4
31	6J8-14578-00	.COLLAR .COLLAR	1	1	1	1	#4
32	97980-05116	.SCREW, WITH WASHER .TORNILLO, CON ARANDELA	24	24	24	24	
33	97980-05108	.SCREW, WITH WASHER .TORNILLO, CON ARANDELA	24	24	24	24	
34	61A-86120-00	.SOLENOID VALVE .SOLENOID	6	6	6	6	
35	61A-14561-00	.O-RING .ANILLO O	6	6	6	6	
36	61A-14163-00	.SPACER .ESPACIADOR	6	6	6	6	
37	61A-14118-00	.CAP .TAPA	6	6	6	6	
38	61A-14198-00	.GASKET .EMPAQUE	6	6	6	6	
39	61A-1492E-5H	.JET, MAIN (#115) .INYECTOR, PRINCIPAL (#115)	4	4	4	4	#3,4,5,6
40	61A-14298-00	.PIPE .TUBO	6	6	6	6	
41	61A-14383-01	.SCREW, DRAIN .TORNILLO DE DRENAJE	6	6	6	6	
42	61A-14995-00	.GASKET .EMPAQUE	6	6	6	6	
43	90465-11M10	.CLAMP .BRIDA	12	12	12	12	
44	61A-1492E-5C	.JET, MAIN (#105) .INYECTOR, PRINCIPAL (#105)	2	2	2	2	#1,2

FIG. 7 OIL PUMP

BOMBA DE ACEITE



61A0010-0070

REF. NO.	PART NO. CODIGO NO.	DESCRIPTION DESCRIPTION	ETO	ET	LETO	LET	REMARKS OBSERVACION
1	62J-13200-00	OIL INJECTION PUMP ASSY BOMBA DE ACEITE COMPLETA	1		1		
2	6R3-13471-00	.PLUG, DRAIN .TAPON DE LLAVE DE VACIADO	1		1		
3	6L2-13475-00	.GASKET .EMPAQUE	1		1		
4	93210-19M82	.O-RING .ANILLO O	1		1		
5	90464-07M05	CLAMP BRIDA	1		1		
6	90109-06M40	BOLT PERNO	2		2		
7	61A-13416-00	PIPE, OIL 1 TUBO DE ACEITE 1	1		1		
8	90465-11M10	CLAMP BRIDA	2		2		
9	90445-07M77	HOSE (L350) TUBO (L350)	1		1		
10	90445-07M72	HOSE (L250) TUBO (L250)	1		1		
11	90445-07196	HOSE (L160) TUBO (L160)	1		1		
12	90445-07M77	HOSE (L350) TUBO (L350)	1		1		
13	90445-07M72	HOSE (L250) TUBO (L250)	1		1		
14	90445-07196	HOSE (L160) TUBO (L160)	1		1		
15	6R3-13183-10	VALVE, CHECK VALVULA DE RETENCION	6		6		
16	90445-07M87	HOSE (L110) TUBO (L110)	3		3		
17	90445-07M07	HOSE (L180) TUBO (L180)	3		3		
18	90464-07M05	CLAMP BRIDA	2		2		
19	90468-07M02	CLIP PRESILLA	24		24		
20	61A-11537-00	GEAR, DRIVEN ENGRANAJE TRACCION	1		1		
21	90201-09M01	WASHER, PLATE ARANDELA PLANA	1		1		
22	61A-13117-00	COLLAR, DISTANCE COLLAR, DISTANCIA	1		1		
23	93210-18MA9	O-RING ANILLO O	1		1		
24	61A-41237-00	JOINT, LINK CONECTOR	1		1		
25	95380-05600	NUT TUERCA	1		1		
26	61A-41237-00	JOINT, LINK CONECTOR	1		1		
27	91490-12012	PIN, COTTER PASADOR DE CHAVETA	1		1		

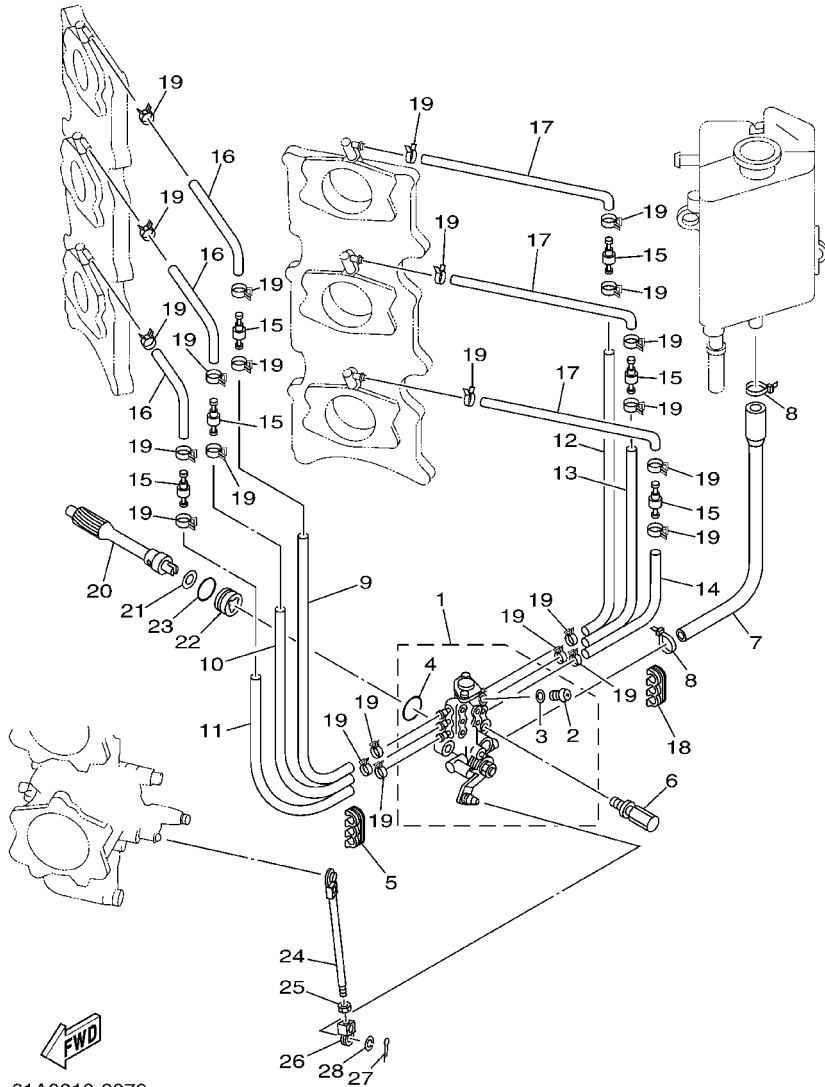


FIG. 7 OIL PUMP

BOMBA DE ACEITE

REF. NO.	PART NO. CODIGO NO.	DESCRIPTION DESCRIPTION	ETO	ET	LETO	LET	REMARKS OBSERVACION
----------	---------------------	-------------------------	-----	----	------	-----	---------------------

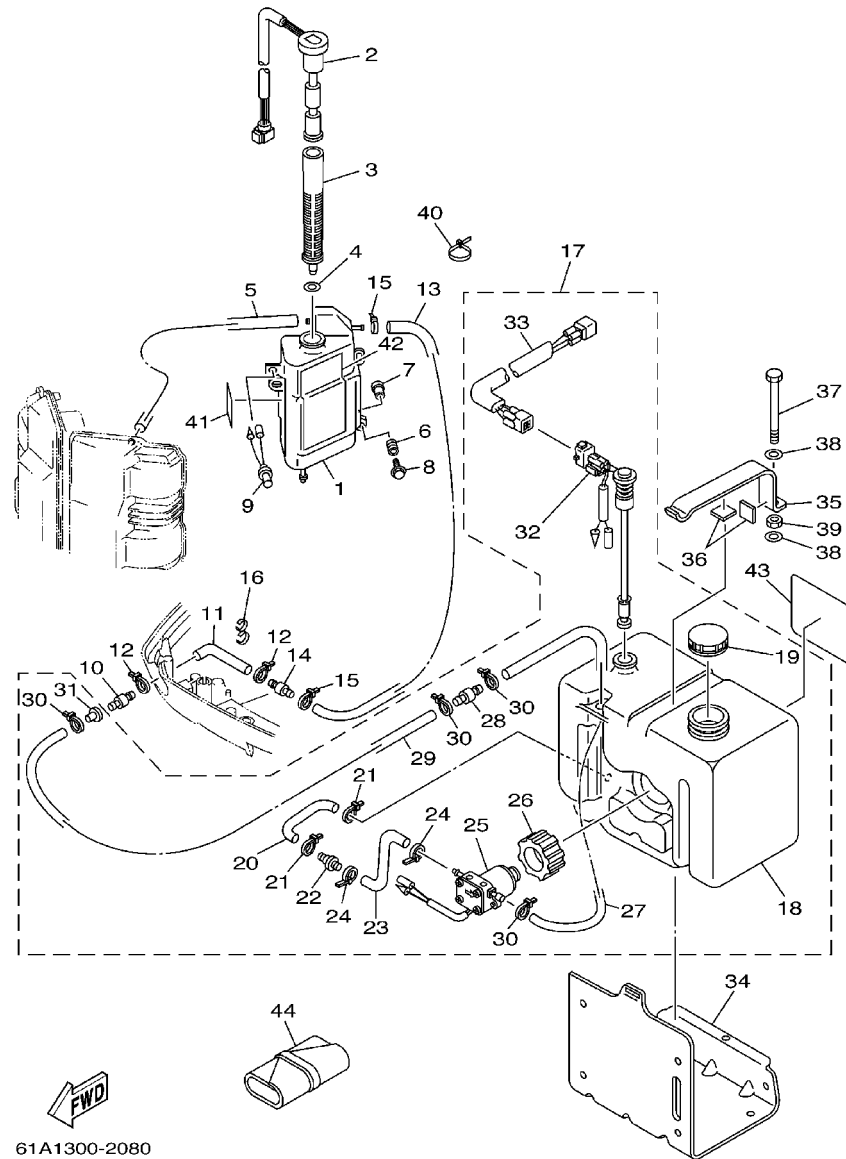
28	90202-05088	WASHER, PLATE ARANDELA DE PLANA	1		1		
----	-------------	------------------------------------	---	--	---	--	--



61A0010-0070

FIG. 8 OIL TANK

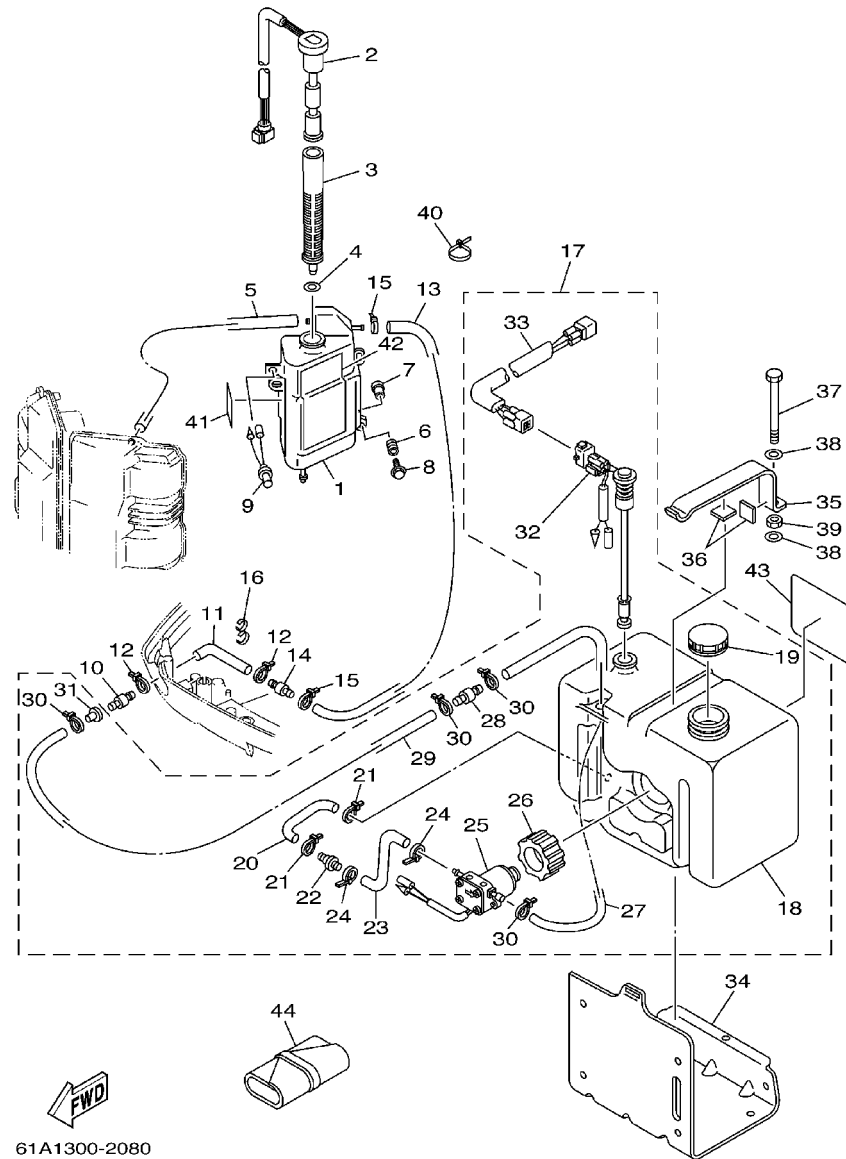
COMPONER Y PODER VARILLA



REF. NO.	PART NO. CODIGO NO.	DESCRIPTION DESCRIPTION	ETO	ET	LETO	LET	REMARKS OBSERVACION
1	61A-21750-00	OIL TANK ASSY DEPOSITO DE ACEITE COMPLETO	1		1		
2	61A-85730-01	OIL LEVEL GAUGE ASSY ACEITE	1		1		
3	61A-13411-00	STRAINER, OIL FILTRO DE ACEITE	1		1		
4	6E5-13414-00	GASKET, STRAINER COVER EMPAQUE DE TAPA FILTRO	1		1		
5	90445-05M02	HOSE (L380) TUBO (L380)	1		1		
6	6A0-82317-00	DAMPER, IGNITION COIL AMORTIGUADOR BOBINA ENCENDIDO	3		3		
7	624-42542-00	PIPE TUBO	3		3		
8	90119-06M65	BOLT, WITH WASHER TORNILLO CON ARANDELA	3		3		
9	6R3-8259E-00	SWITCH ASSY INTERRUPTOR	1		1		
10	6E5-24379-00	PIPE, JOINT 4 TUBO DE UNION 4	1		1		
11	90445-12M04	HOSE (L1900) MANGUERA (L1900)	1		1		
12	90465-11M10	CLAMP BRIDA	2		2		
13	6E5-24323-00	PIPE 12 TUBO 12	1		1		
14	6E5-24379-00	PIPE, JOINT 4 TUBO DE UNION 4	1		1		
15	90465-11M10	CLAMP BRIDA	2		2		
16	90464-13M34	CLAMP BRIDA	1		1		
17	61A-21708-03	OIL TANK SUB-ASSY CUBIERTA 2	1		1		
18	6E5-21733-02	.SUB TANK, OIL (10.5L) .SUBDEPOSITO DE ACEITE (10.5L)	1		1		
19	6E5-21770-03	.OIL TANK CAP ASSY .TAPA DE DEPOSITO DE ACEITE	1		1		
20	6E5-24322-00	.PIPE 11 .TUBO 11	1		1		
21	90465-11M10	.CLAMP .BRIDA	2		2		
22	646-24251-02	.STRAINER 1 .COLADOR 1	1		1		
23	6E5-24319-01	.PIPE, OIL .TUBO DE ACEITE	1		1		
24	90465-11M10	.CLAMP .BRIDA	2		2		
25	6E5-81900-01	.OIL FEED PUMP ASSY .ACEITE	1		1		
26	6E5-81922-00	.GRÖMMET .TAPON PROTECTOR	1		1		
27	6E5-24321-01	.PIPE 10 .TUBO 10	1		1		

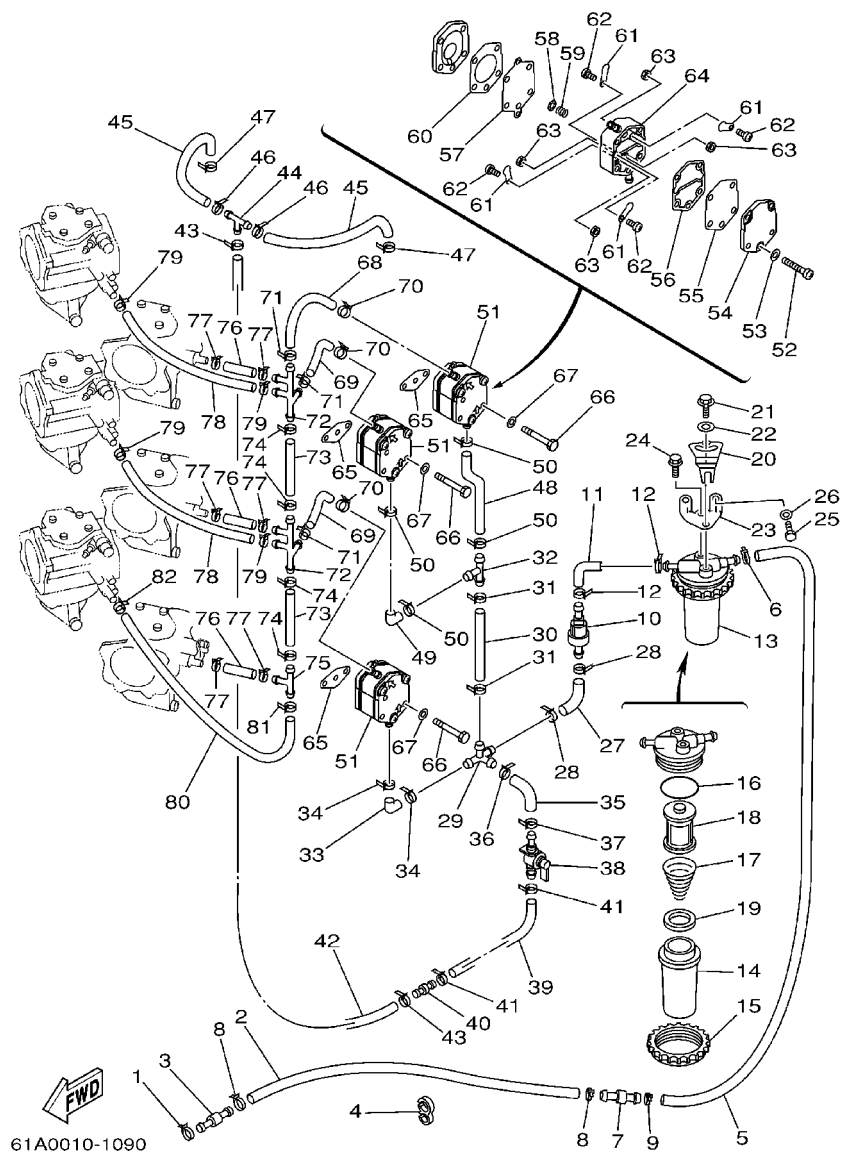
FIG. 8 OIL TANK

COMPONER Y PODER VARILLA



REF. NO.	PART NO. CODIGO NO.	DESCRIPTION DESCRIPTION	ETO	ET	LETO	LET	REMARKS OBSERVACION
28	6E5-24379-00	.PIPE, JOINT 4 .TUBO DE UNION 4	1		1		
29	90445-11M26	.HOSE (L8000) .TUBO (L8000)	1		1		
30	90465-11M10	.CLAMP .BRIDA	4		4		
31	90480-06M19	.GROMMET .TAPON	1		1		
32	6E5-85720-04	.OIL LEVEL GAUGE ASSY .MEDIDOR DE NIVEL DE ACEITE	1		1		
33	6R3-85721-80	.WIRE, LEAD .CABLE CONDUCTOR	1		1		
34	6E5-21734-01-33	HOLDER, OIL SUB TANK SOSTEN SUBDEP.DE ACEITE	1		1		
35	6E5-21798-01-33	BRACKET, DAMPER SOPORTE DE AMORTIGUADOR	1		1		
36	6E5-21746-00	DAMPER AMORTIGUADOR	2		2		
37	97080-06100	BOLT PERNO	1		1		
38	92990-06600	WASHER, PLATE ARANDELA	2		2		
39	95380-06600	NUT, HEXAGON TUERCA	1		1		
40	90465-13M11	CLAMP BRIDA	2		2		
41	6E5-85711-60	MARK, CAUTION MARKER	1		1		FOR CARIB, BRAZIL
	6E5-85711-40	MARK, CAUTION MARKER	1		1		FOR CARIB, BRAZIL
42	61A-85711-61	MARK, CAUTION MARKER	1		1		FOR CARIB, BRAZIL
	61A-85711-41	MARK, CAUTION MARKER	1		1		FOR CARIB, BRAZIL
43	6E5-13437-62	MARK, CAUTION MARKER	1		1		
44	656-W2810-02	TOOL KIT JUEGO DE HERRAMIENTAS	1	1	1	1	

61A1300-2080



61A0010-1090

FIG. 9 FUEL 1

COMBUSTIBLE 1

REF. NO.	PART NO. CODIGO NO.	DESCRIPTION DESCRIPTION	ETO	ET	LETO	LET	REMARKS OBSERVACION
1	90465-11M10	CLAMP BRIDA	1	1	1	1	
2	90445-13M17	HOSE (L2700) MANGUERA (L2700)	1	1	1	1	
3	6R3-24377-00	PIPE, JOINT 3 TUBO DE UNION 3	1	1	1	1	
4	90464-13M34	CLAMP BRIDA	2	2	2	2	
5	61A-24313-00	PIPE 3 TUBO 3	1	1	1	1	
6	90465-11M10	CLAMP BRIDA	1	1	1	1	
7	6R3-24377-00	PIPE, JOINT 3 TUBO DE UNION 3	1	1	1	1	
8	90465-11M10	CLAMP BRIDA	2	2	2	2	
9	90465-11M10	CLAMP BRIDA	1	1	1	1	
10	6R5-24408-00	FUEL FEED ASSY ALIMENTADOR COMBUST. COMPL.	1	1	1	1	
11	61A-24311-00	PIPE, FUEL 1 TUBO DE COMBUSTIBLE 1	1	1	1	1	
12	90465-11M10	CLAMP BRIDA	2	2	2	2	
13	61A-24560-04	FILTER ASSY FILTRO COMPLETO	1	1	1	1	
14	61A-24521-00	.CUP, FILTER .COPA DE FILTRO	1	1	1	1	
15	65L-24531-01	.NUT .TUERCA	1	1	1	1	
16	61A-24564-00	.O-RING .ANILLO O	1	1	1	1	
17	61A-24577-01	.SPRING .RESORTE	1	1	1	1	
18	61A-24563-00	.ELEMENT, FILTER .ELEMENTO DEL FILTRO	1	1	1	1	
19	61A-24469-00	.FLOAT, WATER LEVEL .BOIA	1	1	1	1	
20	65L-24558-00	HOLDER, FILTER SOPORTE DE FILTRO	1	1	1	1	
21	97595-06416	BOLT, WITH WASHER PERNO CON ARANDELA RONDELLE	1	1	1	1	
22	90201-06068	WASHER, PLATE ARANDELA PLANA	1	1	1	1	
23	61A-24566-00	BRACKET, FILTER SOPORTE DEL FILTRO	1	1	1	1	
24	97595-06514	BOLT, WITH WASHER PERNO CON ARANDELA RONDELLE	1	1	1	1	
25	97095-06016	BOLT PERNO	2	2	2	2	
26	92995-06600	WASHER ARANDELA	2	2	2	2	
27	61A-24311-00	PIPE, FUEL 1 TUBO DE COMBUSTIBLE 1	1	1	1	1	

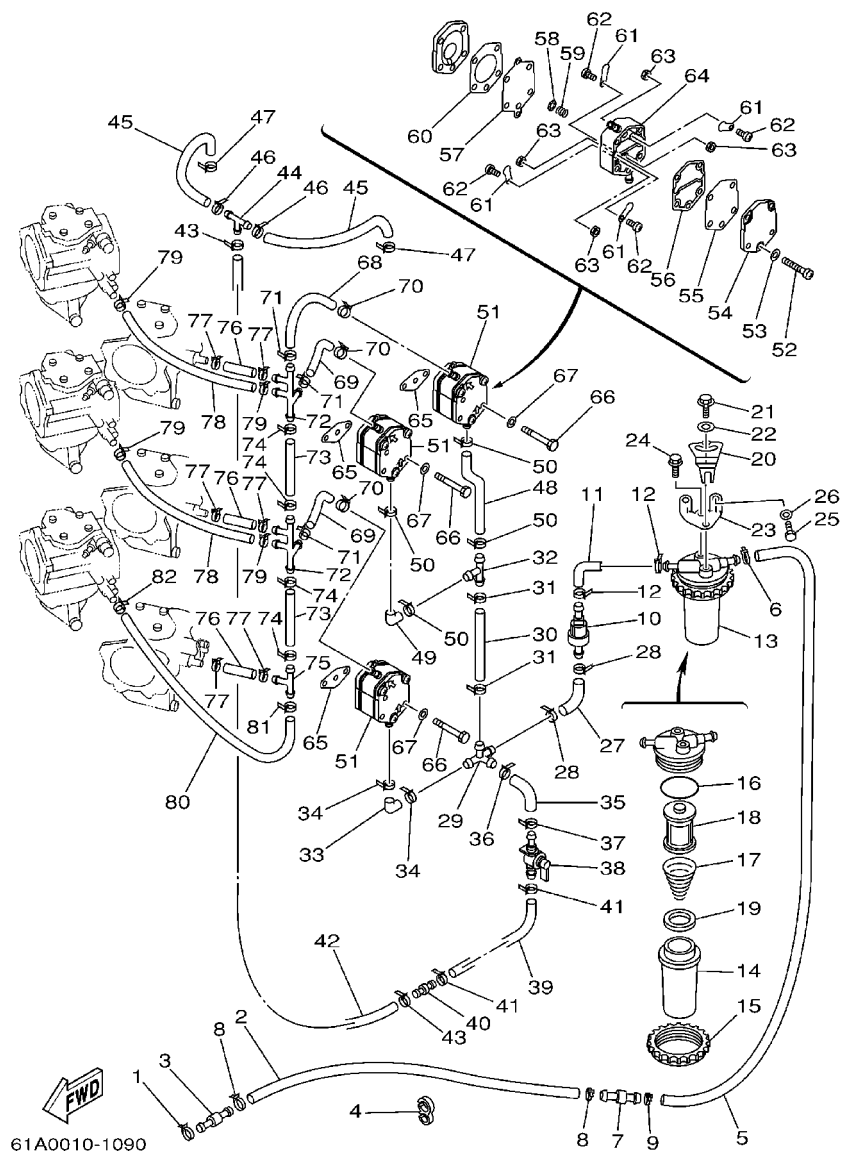
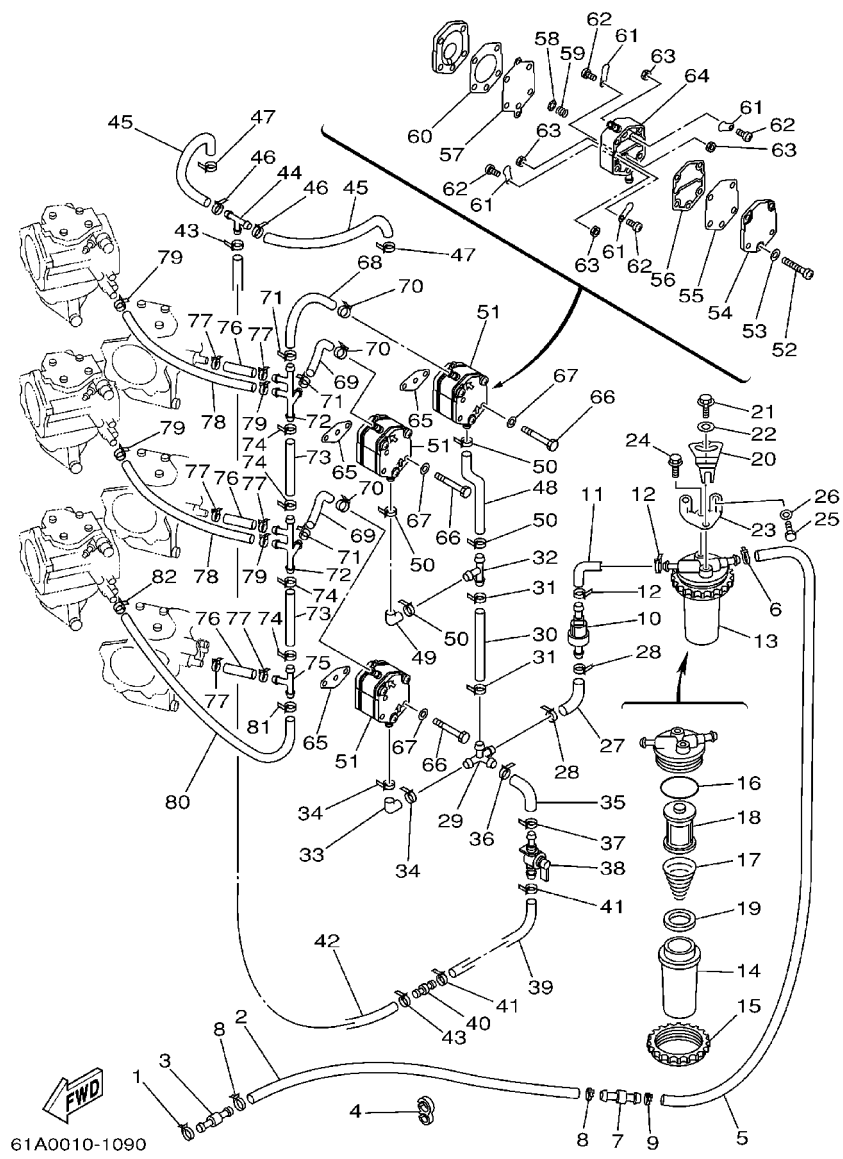


FIG. 9 FUEL 1

COMBUSTIBLE 1

REF. NO.	PART NO. CODIGO NO.	DESCRIPTION DESCRIPTION	ETO	ET	LETO	LET	REMARKS OBSERVACION
28	90465-11M10	CLAMP BRIDA	2	2	2	2	
29	6G5-24377-00	PIPE, JOINT 3 TUBO DE UNION 3	1	1	1	1	
30	6G5-24317-01	PIPE 7 TUBO 7	1	1	1	1	
31	90465-11M10	CLAMP BRIDA	2	2	2	2	
32	6E5-24378-00	PIPE, JOINT 3 TUBO DE UNION 3	1	1	1	1	
33	6E5-24315-00	PIPE 5 TUBO DE DESAGUE	1	1	1	1	
34	90465-11M10	CLAMP BRIDA	2	2	2	2	
35	61A-24311-00	PIPE, FUEL 1 TUBO DE COMBUSTIBLE 1	1	1	1	1	
36	90465-11M10	CLAMP BRIDA	1	1	1	1	
37	90465-11M10	CLAMP BRIDA	1	1	1	1	
38	61A-24500-00	FUEL COCK ASSY 1 GRIFO DE COMBUSTIBLE 1	1	1	1	1	
39	90445-10M17	HOSE (L90) TUBO (L90)	1	1	1	1	
40	6E5-21744-00	BREATHER RESPIRADERO	1	1	1	1	
41	90465-11M10	CLAMP BRIDA	2	2	2	2	
42	90445-10M34	HOSE (L550) TUBO (L550)	1	1	1	1	
43	90465-11M10	CLAMP BRIDA	2	2	2	2	
44	688-24378-00	PIPE, JOINT 4 TUBO DE UNION 4	1	1	1	1	
45	90445-10M17	HOSE (L90) TUBO (L90)	2	2	2	2	
46	90465-11M10	CLAMP BRIDA	2	2	2	2	
47	90465-11M10	CLAMP BRIDA	2	2	2	2	
48	6G5-24315-00	PIPE 5 TUBO DE DESAGUE	1	1	1	1	
49	6E5-24315-00	PIPE 5 TUBO DE DESAGUE	1	1	1	1	
50	90465-11M10	CLAMP BRIDA	4	4	4	4	
51	6E5-24410-03	FUEL PUMP ASSY BOMBA DE COMBUSTIBLE COMPLETA	3	3	3	3	
52	98503-05035	.SCREW, PAN HEAD .TORNILLO DE CABEZA CON PLANA	3	3	3	3	
53	92903-05600	.WASHER, PLATE .ARANDELA	3	3	3	3	
54	6E5-24413-00	.BODY 2 .CUERPO 2	1	1	1	1	



61A0010-1090

FIG. 9 FUEL 1

COMBUSTIBLE 1

REF. NO.	PART NO. CODIGO NO.	DESCRIPTION DESCRIPTION	ETO	ET	LETO	LET	REMARKS OBSERVACION
55	6E5-24471-00	.DIAPHRAGM .DIAFRAGMA	1	1	1	1	
56	6E5-24435-00	.GASKET, BODY 2 .EMPAQUE	1	1	1	1	
57	6E5-24411-00	.DIAPHRAGM .DIAFRAGMA	1	1	1	1	
58	648-24424-00	.SEAT, SPRING .PLACA DE RESORTE	1	1	1	1	
59	6E5-24423-00	.SPRING, DIAPHRAGM .RESORTE DE DIAFRAGMA	1	1	1	1	
60	6E5-24434-02	.GASKET, BODY .EMPAQUE	1	1	1	1	
61	6A0-24421-01	.VALVE, CHECK .VALVULA DE RETENCION	4	4	4	4	
62	6A0-14325-00	.SCREW, PAN HEAD .TORNILLO CABEZA REDONDA	4	4	4	4	
63	95380-03600	.NUT .TUERCA	4	4	4	4	
64	6E5-24412-10	.BODY 1 .CUERPO 1	1	1	1	1	
65	650-24431-A0	GASKET, FUEL PUMP 1 EMPAQUE BOMBA COMBUST 1	3	3	3	3	
66	97095-06050	BOLT PERNO	6	6	6	6	
67	92995-06600	WASHER ARANDELA	6	6	6	6	
68	6G5-24317-01	PIPE 7 TUBO 7	1	1	1	1	
69	90445-13M31	HOSE (L85) TUBO (L85)	2	2	2	2	
70	90465-11M10	CLAMP BRIDA	3	3	3	3	
71	90465-11M10	CLAMP BRIDA	3	3	3	3	
72	61A-24377-00	PIPE, JOINT 3 TUBO DE UNION 3	2	2	2	2	
73	90445-13M14	HOSE (L70) TUBO (L70)	2	2	2	2	
74	90465-11M10	CLAMP BRIDA	4	4	4	4	
75	6E5-24378-00	PIPE, JOINT 3 TUBO DE UNION 3	1	1	1	1	
76	90445-13M02	HOSE (L40) TUBO (L40)	3	3	3	3	
77	90465-11M10	CLAMP BRIDA	6	6	6	6	
78	90445-13M12	HOSE (L235) TUBO (L235)	2	2	2	2	
79	90465-11M10	CLAMP BRIDA	4	4	4	4	
80	90445-13M11	HOSE (L300) TUBO (L300)	1	1	1	1	
81	90465-11M10	CLAMP BRIDA	1	1	1	1	

D1

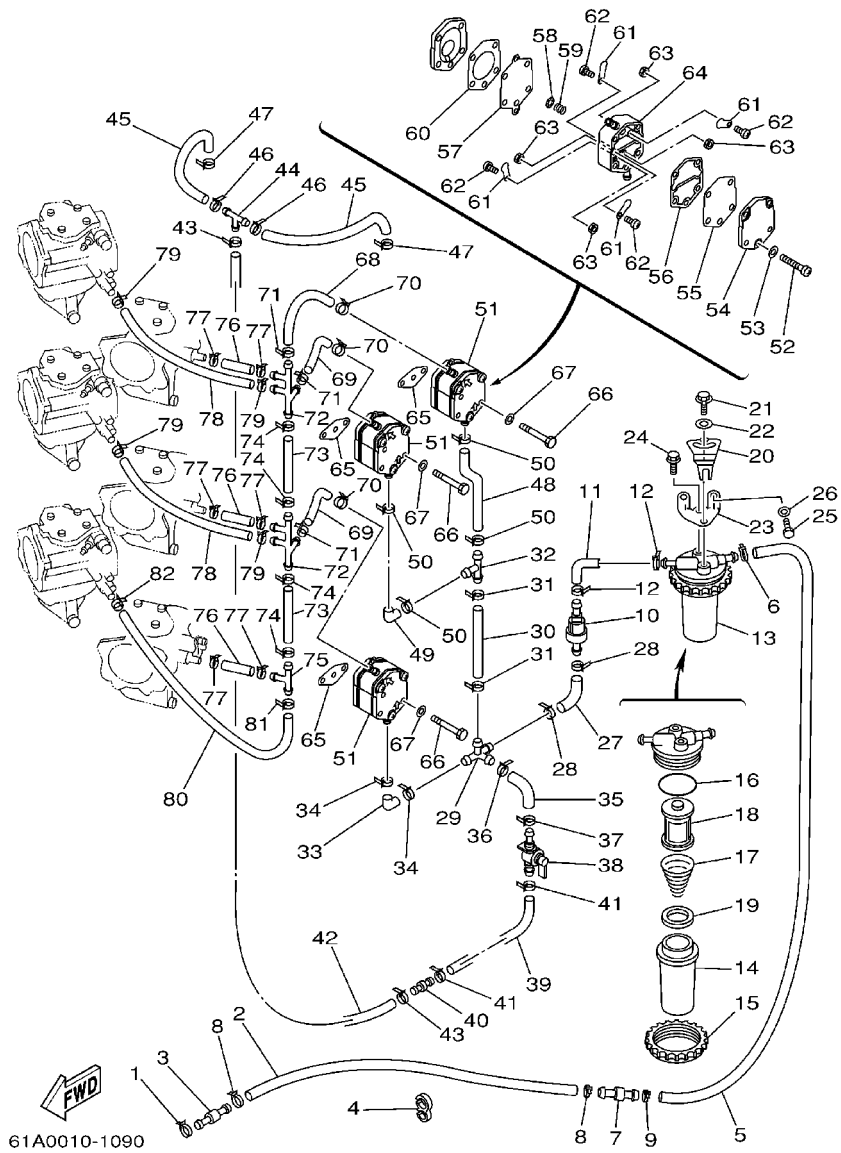


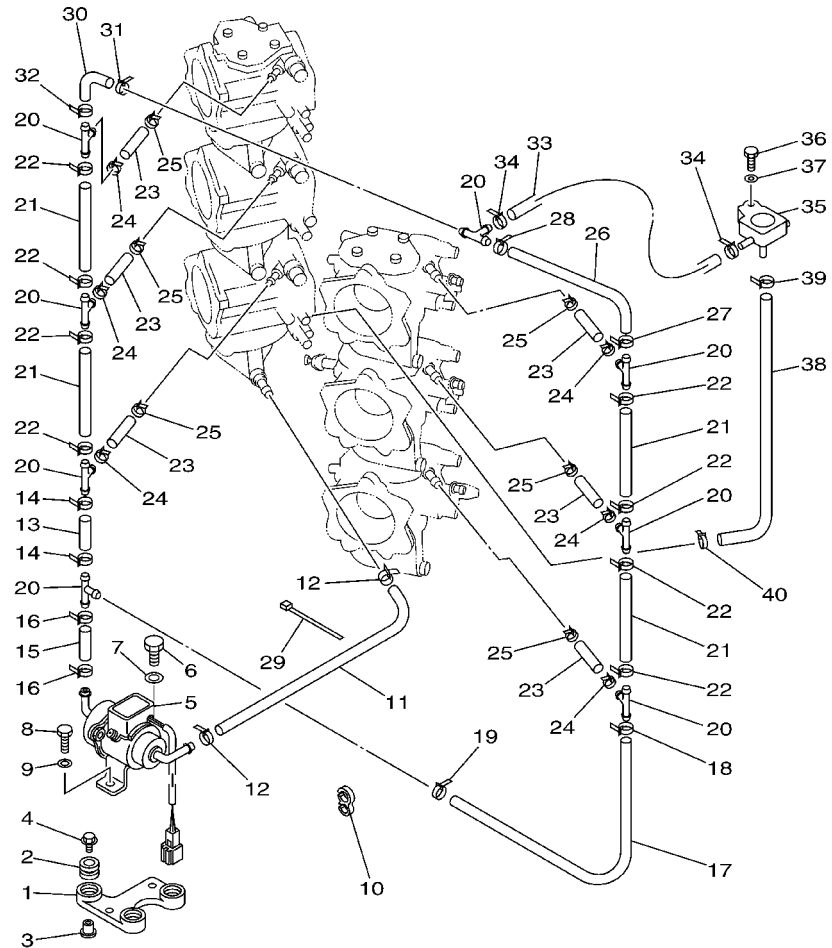
FIG. 9 FUEL 1

COMBUSTIBLE 1

REF. NO.	PART NO. CODIGO NO.	DESCRIPTION DESCRIPTION	ETO	ET	LETO	LET	REMARKS OBSERVACION
82	90465-11M10	CLAMP BRIDA	1	1	1	1	

FIG. 10 FUEL 2

COMBUSTIBLE 2



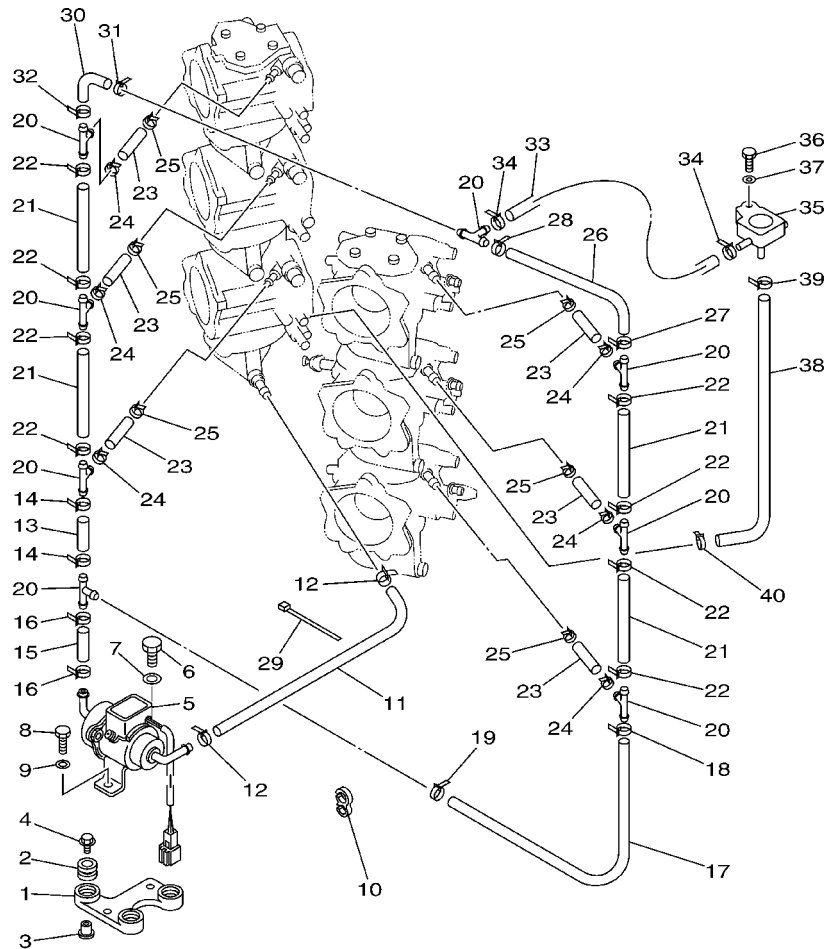
61A0010-0100

REF. NO.	PART NO. CODIGO NO.	DESCRIPTION DESCRIPTION	ETO	ET	LETO	LET	REMARKS OBSERVACION
1	61A-24491-00-94	BRACKET, FUEL PUMP SOPORTE BOMBA COMBUSTIBLE	1	1	1	1	
2	6A0-82317-00	DAMPER, IGNITION COIL AMORTIGUADOR BOBINA ENCENDIDO	3	3	3	3	
3	624-42542-00	PIPE TUBO	3	3	3	3	
4	90119-06M65	BOLT, WITH WASHER TORNILLO CON ARANDELA	3	3	3	3	
5	61A-13910-01	FUEL PUMP ASSY BOMBA DE COMBUSTIBLE COMPLETA	1	1	1	1	
6	97095-08014	BOLT PERNO	1	1	1	1	
7	92995-08600	WASHER ARANDELA	1	1	1	1	
8	97095-06014	BOLT PERNO	1	1	1	1	
9	92995-06600	WASHER ARANDELA	1	1	1	1	
10	90464-13M34	CLAMP BRIDA	1	1	1	1	
11	6A4-24315-00	PIPE 5 TUBO DE DESAGUE	1	1	1	1	
12	90465-11M10	CLAMP BRIDA	2	2	2	2	
13	90445-10M31	HOSE (L45) TUBO (L45)	1	1	1	1	
14	90465-11M10	CLAMP BRIDA	2	2	2	2	
15	90445-10M14	HOSE (L30) TUBO (L30)	1	1	1	1	
16	90465-11M10	CLAMP BRIDA	2	2	2	2	
17	90445-10M40	HOSE (L330) TUBO (L330)	1	1	1	1	
18	90465-11M10	CLAMP BRIDA	1	1	1	1	
19	90465-11M10	CLAMP BRIDA	1	1	1	1	
20	688-24378-00	PIPE, JOINT 4 TUBO DE UNION 4	8	8	8	8	
21	90445-10M53	HOSE (L110) TUBO (L110)	4	4	4	4	
22	90465-11M10	CLAMP BRIDA	8	8	8	8	
23	61A-24316-00	PIPE 6 TUBO 6	6	6	6	6	
24	90465-11M10	CLAMP BRIDA	6	6	6	6	
25	90465-11M10	CLAMP BRIDA	6	6	6	6	
26	6A4-24315-00	PIPE 5 TUBO DE DESAGUE	1	1	1	1	
27	90465-11M10	CLAMP BRIDA	1	1	1	1	



FIG. 10 FUEL 2

COMBUSTIBLE 2

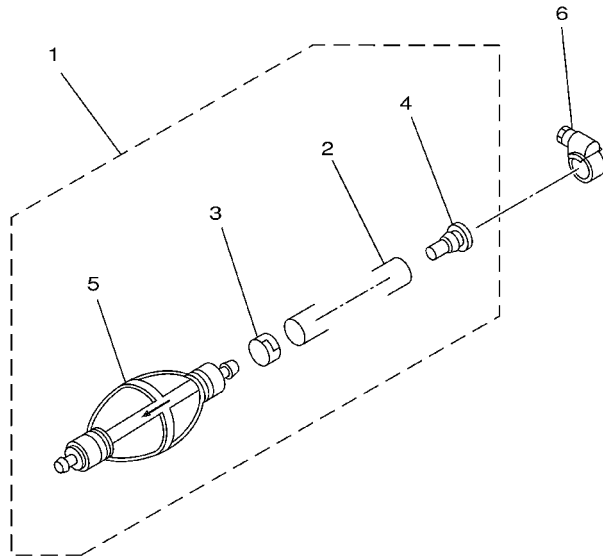


61A0010-0100

REF. NO.	PART NO. CODIGO NO.	DESCRIPTION DESCRIPTION	ETO	ET	LETO	LET	REMARKS OBSERVACION
28	90465-11M10	CLAMP BRIDA	1	1	1	1	
29	90464-11M24	CLAMP BRIDA	1	1	1	1	
30	90445-10M16	HOSE (L120) TUBO (L120)	1	1	1	1	
31	90465-11M10	CLAMP BRIDA	1	1	1	1	
32	90465-11M10	CLAMP BRIDA	1	1	1	1	
33	61A-24315-00	PIPE 5 TUBO DE DESAGUE	1	1	1	1	
34	90465-11M10	CLAMP BRIDA	2	2	2	2	
35	61A-24470-01	FUEL REGULATOR.ASSY REGULADOR DE COMBUST. COMPL.	1	1	1	1	
36	97095-06035	BOLT PERNO	1	1	1	1	
37	92995-06600	WASHER ARANDELA	1	1	1	1	
38	90445-10M92	HOSE (L450) TUBO (L450)	1	1	1	1	
39	90465-11M10	CLAMP BRIDA	1	1	1	1	
40	90465-11M10	CLAMP BRIDA	1	1	1	1	

FIG. 11 FUEL 3

COMBUSTIBLE 3

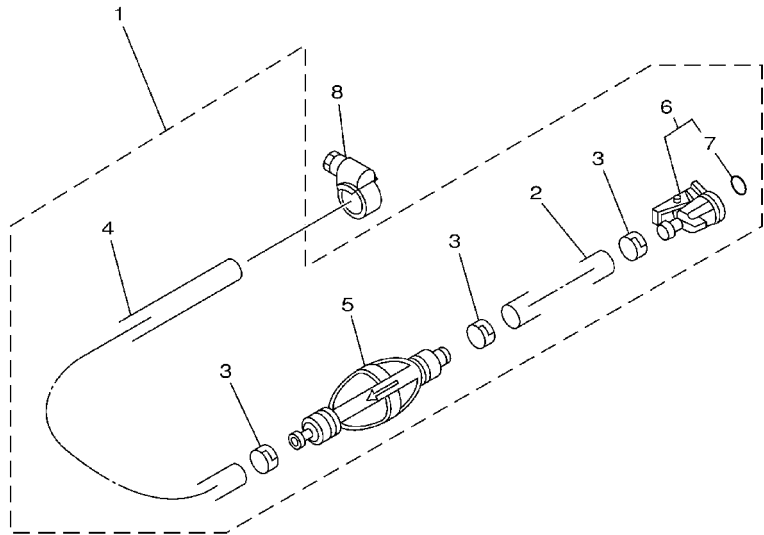


REF. NO.	PART NO. CODIGO NO.	DESCRIPTION DESCRIPTION	ETO	ET	LETO	LET	REMARKS OBSERVACION
1	6Y2-24307-41	FUEL PIPE COMP. 2 MANGUERA COMPL, COMBUSTIBLE 2	1	1			AP EXCEPT FOR SWS
2	90445-13M01	.HOSE (L:2050) .MANGUERA (L:2050)	1	1			
3	6E5-24351-51	.BAND 1 .ABRAZADERA 1	1	1			
4	90480-06M19	.GROMMET .TAPON	1	1			
5	6Y2-24360-52	.PRIMER PUMP ASSY .SOPORTE BOMBA	1	1			
6	90450-10M07	HOSE CLAMP ASSY BRIDA, MANGUERA	1	1			AP EXCEPT FOR SWS

 61A0200-0110

FIG. 12 FUEL 4

COMBUSTIBLE 4

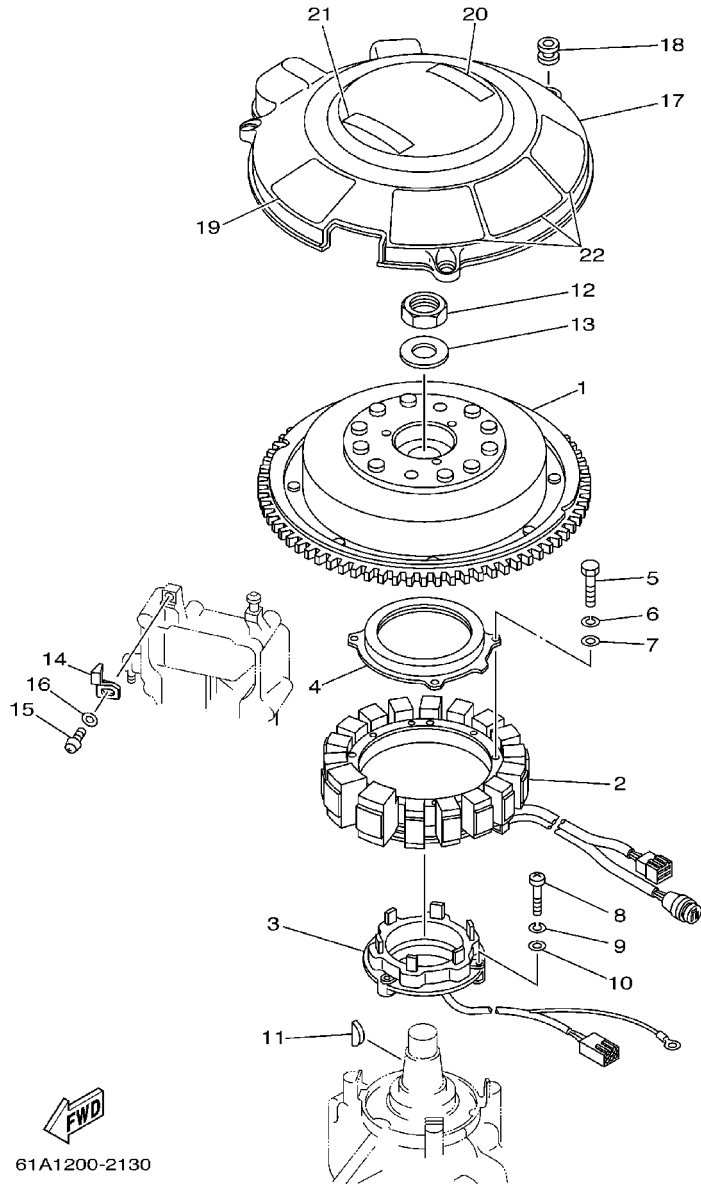


REF. NO.	PART NO. CODIGO NO.	DESCRIPTION DESCRIPTION	ETO	ET	LETO	LET	REMARKS OBSERVACION
1	6Y2-24306-42	FUEL PIPE COMP. 1 TUBO COMBUST. COMPL 1			1	1	AP
2	90445-13M01	.HOSE (L:2050) .MANGUERA (L:2050)			1	1	
3	6E5-24351-51	.BAND 1 .ABRAZADERA 1			3	3	
4	90445-13M35	.HOSE (L:250) .MANGUERA (L:250)			1	1	
5	6Y2-24360-52	.PRIMER PUMP ASSY .SOPORTE BOMBA			1	1	
6	6Y2-24305-04	.FUEL PIPE JOINT COMP. 2 .CONECTOR MANGUERA COMBUST. 2			1	1	
7	93210-08287	..O-RING ..ANILLO O			1	1	
8	90450-10M07	HOSE CLAMP ASSY BRIDA, MANGUERA			1	1	AP

  
61A0200-1120

FIG. 13 GENERATOR

GENERADOR

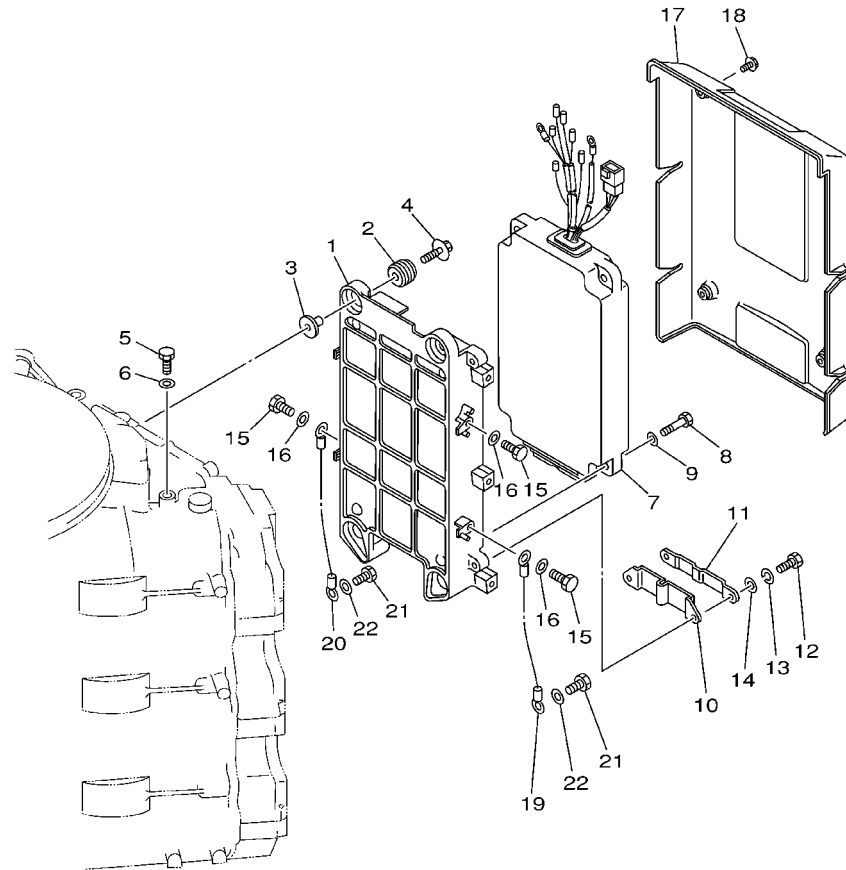


61A1200-2130

REF. NO.	PART NO. CODIGO NO.	DESCRIPTION DESCRIPTION	ETO	ET	LETO	LET	REMARKS OBSERVACION
1	61A-85550-01	ROTOR ASSY ROTOR COMPLETO	1	1	1	1	
2	65L-85510-10	STATOR ASSY ESTATOR COMPLET	1	1	1	1	
3	61A-85580-01	COIL, PULSER BOBINA DE PULSACION	1	1	1	1	
4	61A-83721-00	COVER CUBIERTA	1	1	1	1	
5	97013-06035	BOLT PERNO	4	4	4	4	
6	92903-06100	WASHER, SPRING ARANDELA	4	4	4	4	
7	92903-06600	WASHER, PLATE ARANDELA	4	4	4	4	
8	97885-05030	SCREW, PAN HEAD TORNILLO DE CABEZA CON PLANA	3	3	3	3	
9	92995-05100	WASHER ARANDELA	3	3	3	3	
10	92995-05600	WASHER ARANDELA	3	3	3	3	
11	90280-05015	KEY, WOODRUFF CUNA WOODRUFF	1	1	1	1	
12	90170-24M22	NUT TUERCA	1	1	1	1	
13	90201-25M02	WASHER, PLATE ARANDELA PLANA	1	1	1	1	
14	6E5-81332-00	PLATE, TIMING PLACA REGULADOR DE TIEMPO	1	1	1	1	
15	97885-06010	SCREW, PAN HEAD TORNILLO DE CABEZA CON PLANA	1	1	1	1	
16	92995-06600	WASHER ARANDELA	1	1	1	1	
17	61A-81337-01	COVER, FLYWHEEL CUBIERTA DE VOLANTE	1	1	1	1	
18	663-82317-01	DAMPER, IGNITION COIL AMORTIGUADOR BOBINA ENCENDIDO	3	3	3	3	
19	61A-14488-00	LABEL, CAUTION ETIQUETA PRECAUCION	1	1	1	1	
20	6A1-83625-41	MARK 5 MARCA 5	1		1		FOR CARIB, BRAZIL
21	6K1-83623-41	MARK 3 MARCA 3			1		FOR CARIB
22	61A-85711-80	MARK, CAUTION MARKER		1		1	

FIG. 14 ELECTRICAL 1

EQUIPO ELECTRICO 1

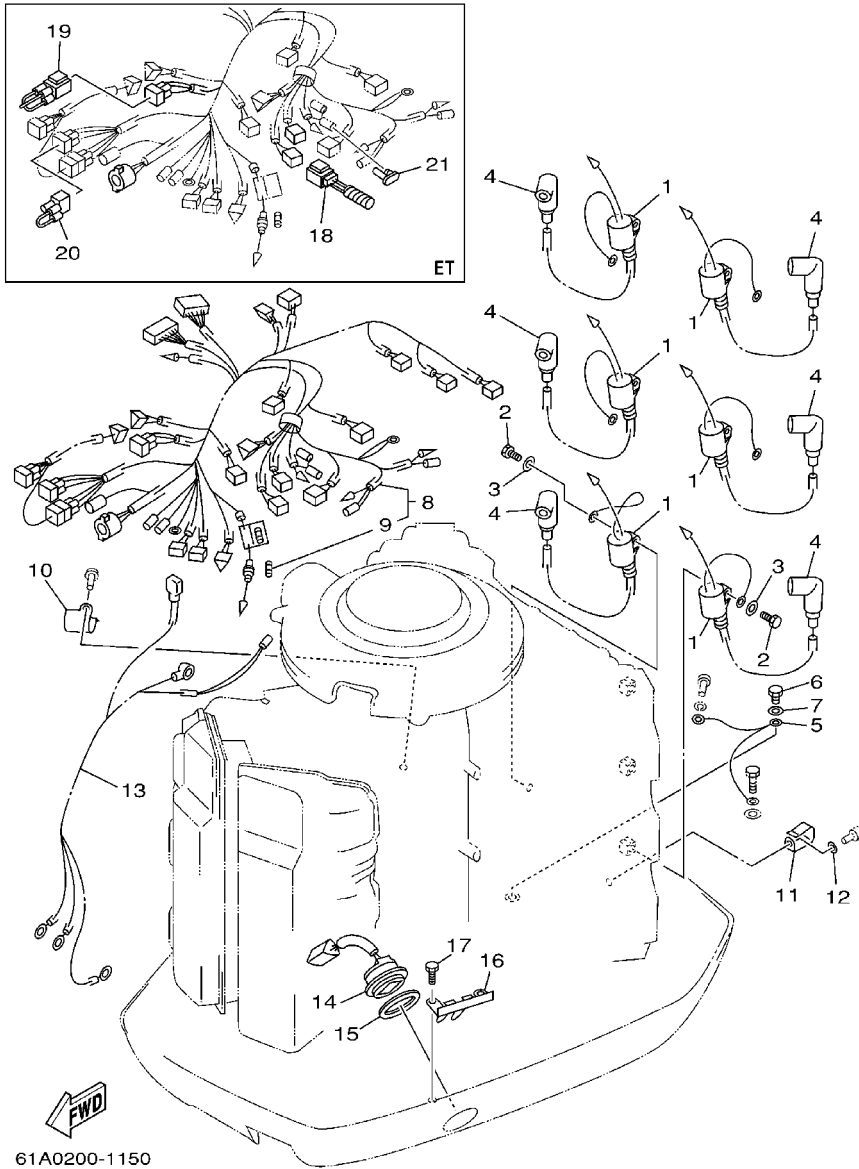


61A0010-0120

REF. NO.	PART NO. CODIGO NO.	DESCRIPTION DESCRIPTION	ETO	ET	LETO	LET	REMARKS OBSERVACION
1	61A-85542-01-94	BRACKET SOPORTE	1	1	1	1	
2	90480-09M12	GROMMET TAPON	4	4	4	4	
3	90387-06M03	COLLAR COLLAR	4	4	4	4	
4	90119-06M28	BOLT, WITH WASHER TORNILLO CON ARANDELA	4	4	4	4	
5	97013-06016	BOLT PERNO	1	1	1	1	
6	92903-06600	WASHER, PLATE ARANDELA	1	1	1	1	
7	62J-85540-02	C.D.I. UNIT ASSY UNIDAD C.D.I. COMPLETA	1	1	1	1	
8	97013-06025	BOLT PERNO	4	4	4	4	
9	92903-06600	WASHER, PLATE ARANDELA	4	4	4	4	
10	61A-85548-00	HOLDER SOSTEN	1	1	1	1	
11	61A-85525-00	COVER CUBIERTA	1	1	1	1	
12	97095-06016	BOLT PERNO	2	2	2	2	
13	92995-06100	WASHER, SPRING ARANDELA	2	2	2	2	
14	92995-06600	WASHER ARANDELA	2	2	2	2	
15	97013-06014	BOLT PERNO	4	4	4	4	
16	92903-06600	WASHER, PLATE ARANDELA	4	4	4	4	
17	61A-85537-00	COVER CUBIERTA	1	1	1	1	
18	90159-06M03	SCREW, WITH WASHER TORNILLO CON VALONA	4	4	4	4	
19	61A-82519-00	WIRE, EARTH LEAD CABLE CONDUCTOR A TIERRA	1	1	1	1	
20	6G0-82519-00	WIRE, EARTH LEAD CABLE CONDUCTOR A TIERRA	1	1	1	1	
21	97095-06012	BOLT PERNO	2	2	2	2	
22	92995-06600	WASHER ARANDELA	2	2	2	2	

FIG. 15 ELECTRICAL 2

EQUIPO ELECTRICO 2

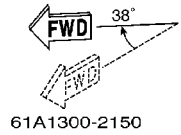
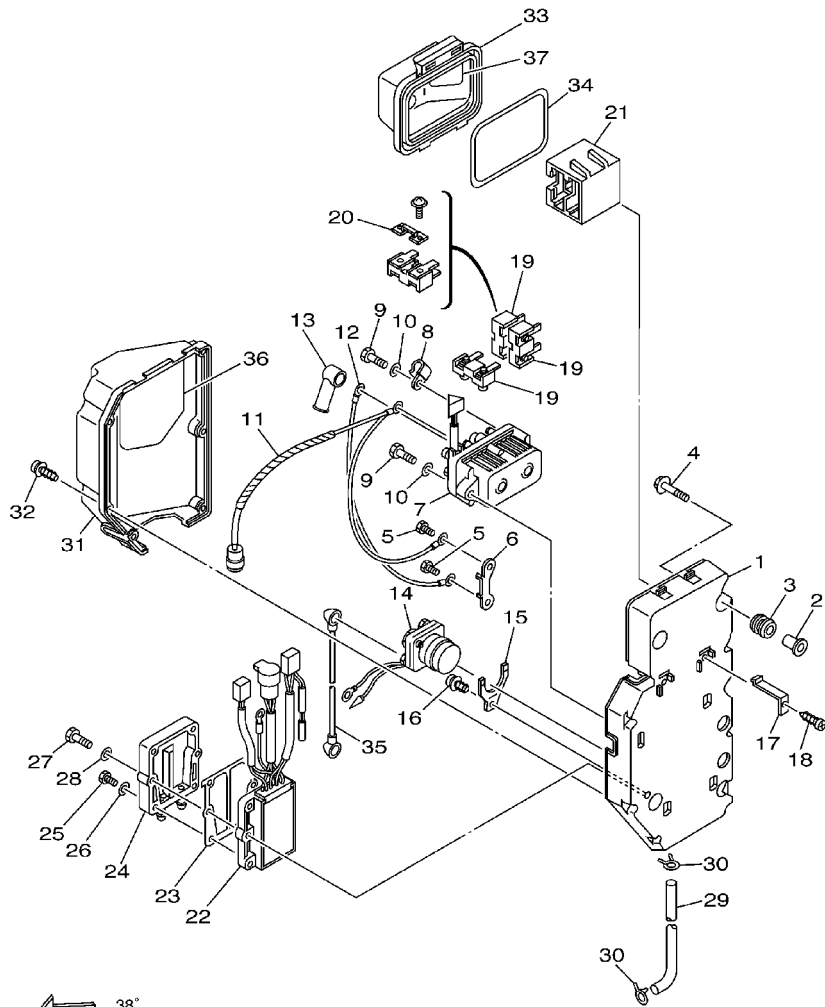


61A0200-1150

REF. NO.	PART NO. CODIGO NO.	DESCRIPTION DESCRIPTION	ETO	ET	LETO	LET	REMARKS OBSERVACION
1	61A-85570-00	IGNITION COIL ASSY BOBINA DE IGNICION COMPLETO	6	6	6	6	
2	97013-06020	BOLT PERNO	6	6	6	6	
3	92903-06600	WASHER, PLATE ARANDELA	6	6	6	6	
4	6E3-82370-21	PLUG CAP ASSY TAPON DE BUJIA COMPLT	6	6	6	6	
5	61A-82531-00	WIRE, LEAD CABLE CONDUCTOR	1	1	1	1	
6	97095-06012	BOLT PERNO	1	1	1	1	
7	92995-06600	WASHER ARANDELA	1	1	1	1	
8	61A-82590-10	WIRE HARNESS ASSY CONJUNTO DE CABLES	1	1	1	1	
9	663-82151-00	.FUSE (12V-20A) .FUSIBLE (12V-20A)	1	1	1	1	
10	90465-08M89	CLAMP BRIDA	1	1	1	1	
11	90465-05M87	CLAMP BRIDA	1	1	1	1	
12	92903-06600	WASHER, PLATE ARANDELA	1	1	1	1	
13	61A-82105-00	WIRE HARNESS ARNES DE CABLES	1	1	1	1	
14	61A-82563-00	TRIM & TILT SWITCH ASSY INTERRUPTOR DE INCLINACION	1	1	1	1	
15	6E5-82587-00	GASKET EMPAQUETADURA	1	1	1	1	
16	61A-83614-00	BRACKET SOPORTE	1	1	1	1	
17	97095-06012	BOLT PERNO	2	2	2	2	
18	6R5-82582-00	COVER, WIRE HARNESS CUBIERTA DE ARNES DE CABLE		1		1	
19	6R5-82582-A0	COVER, WIRE HARNESS CUBIERTA DE ARNES DE CABLE		1		1	
20	6R5-82582-B0	COVER, WIRE HARNESS CUBIERTA DE ARNES DE CABLE		1		1	
21	6A0-82119-00	COVER, LEAD WIRE CUBIERTA DE CABLE CONDUCTOR		1		1	

FIG. 16 ELECTRICAL 3

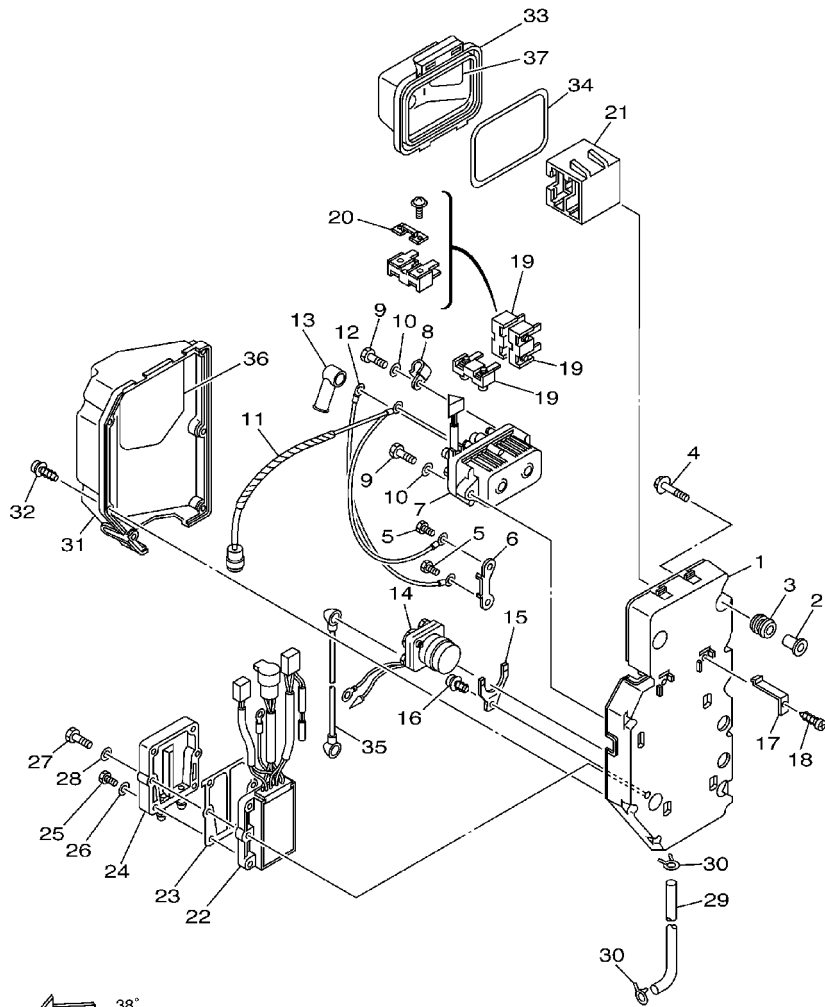
EQUIPO ELECTRICO 3



REF. NO.	PART NO. CODIGO NO.	DESCRIPTION DESCRIPTION	ETO	ET	LETO	LET	REMARKS OBSERVACION
1	61A-81948-00	BRACKET SOPORTE	1	1	1	1	
2	624-42542-00	PIPE TUBO	4	4	4	4	
3	6A0-82317-00	DAMPER, IGNITION COIL AMORTIGUADOR BOBINA ENCENDIDO	4	4	4	4	
4	90119-06M65	BOLT, WITH WASHER TORNILLO CON ARANDELA	4	4	4	4	
5	97013-06014	BOLT PERNO	2	2	2	2	
6	61A-87149-00	CONNECTOR CONECTOR	1	1	1	1	
7	61A-81950-00	RELAY ASSY RELE COMPLETO	1	1	1	1	
8	90465-06M86	CLAMP BRIDA	1	1	1	1	
9	97013-06030	BOLT PERNO	2	2	2	2	
10	92903-06600	WASHER, PLATE ARANDELA	2	2	2	2	
11	61A-81949-10	WIRE, LEAD CABLE CONDUCTOR	1	1	1	1	
12	61A-81949-00	WIRE, LEAD CABLE CONDUCTOR	1	1	1	1	
13	6G5-82119-00	COVER, LEAD WIRE CUBIERTA DE CABLE CONDUCTOR	1	1	1	1	
14	61A-81941-00	STARTER RELAY ASSY RELE DE ARRANQUE	1	1	1	1	
15	61A-81952-00	HOLDER, RELAY SOSTEN DE RELE	1	1	1	1	
16	97780-50612	SCREW, TAPPING TORNILLO ROSCA HEMBRA	1	1	1	1	
17	61A-82171-00	STAY, FUSE BOX SOPORTE CAJA DE FUSIBLES	2	2	2	2	
18	97780-50612	SCREW, TAPPING TORNILLO ROSCA HEMBRA	2	2	2	2	
19	61A-82150-00	FUSE HOLDER ASSY PORTA-FUSIBLES COMPLETO	3	3	3	3	
20	61A-82151-00	.FUSE (12V-80A) FUSIBLE (12V-80A)	1	1	1	1	
21	61A-82153-00	STAY, FUSE HOLDER ABRAZADERA FUSIBLE	1	1	1	1	
22	61A-81960-02	RECTIFIER & REGULATOR ASSY RECTIFICADOR Y REGULADOR	1	1	1	1	
23	69J-81975-A0	PLATE, RECTIFIER FITTING PLACA ACCESORIA RECTIF.	1	1	1	1	
24	69J-81972-01-1S	COVER, RECTIFIER CUBIERTA DE RECTIFICADOR	1	1	1	1	
25	97013-06025	BOLT PERNO	4	4	4	4	
26	92903-06600	WASHER, PLATE ARANDELA	4	4	4	4	
27	97013-06030	BOLT PERNO	2	2	2	2	

FIG. 16 ELECTRICAL 3

EQUIPO ELECTRICO 3



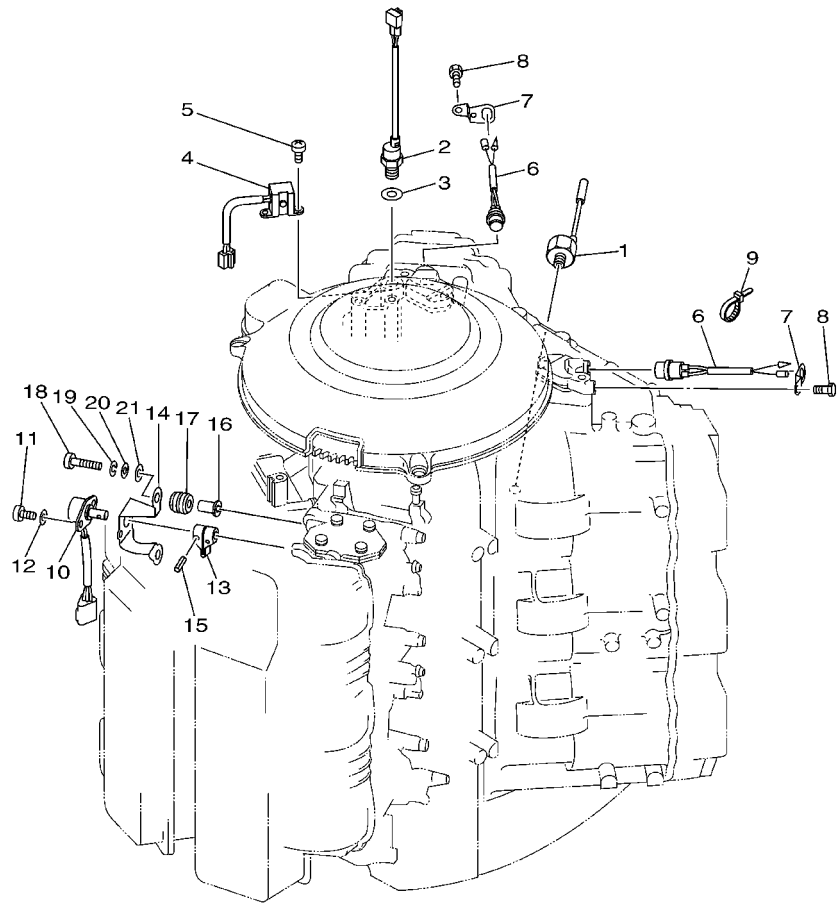
FWD 38°  
 FWD  
 61A1300-2150

REF. NO.	PART NO. CODIGO NO.	DESCRIPTION DESCRIPTION	ETO	ET	LETO	LET	REMARKS OBSERVACION
28	92903-06600	WASHER, PLATE ARANDELA	2	2	2	2	
29	61A-24314-00	PIPE 4 TUBO 4	1	1	1	1	
30	90467-08004	CLIP PRESILLA	1	1	1	1	
31	61A-81942-00	COVER CUBIERTA	1	1	1	1	
32	90169-05M00	SCREW, TRUSS HEAD TAPPING TORNILLO	6	6	6	6	
33	61A-82154-01	CASE CAJA	1	1	1	1	
34	61A-82176-00	DAMPER AMORTIGUADOR	1	1	1	1	
35	61A-82117-00	WIRE, LEAD CABLE CONDUCTOR	1	1	1	1	
36	61A-81919-41	GRAPHIC, REGULATOR CALCAMONIA DE REGULADOR	1	1	1	1	
37	61A-81919-00	GRAPHIC, REGULATOR CALCAMONIA DE REGULADOR	1	1	1	1	



FIG. 17 ELECTRICAL 4

EQUIPO ELECTRICO 4



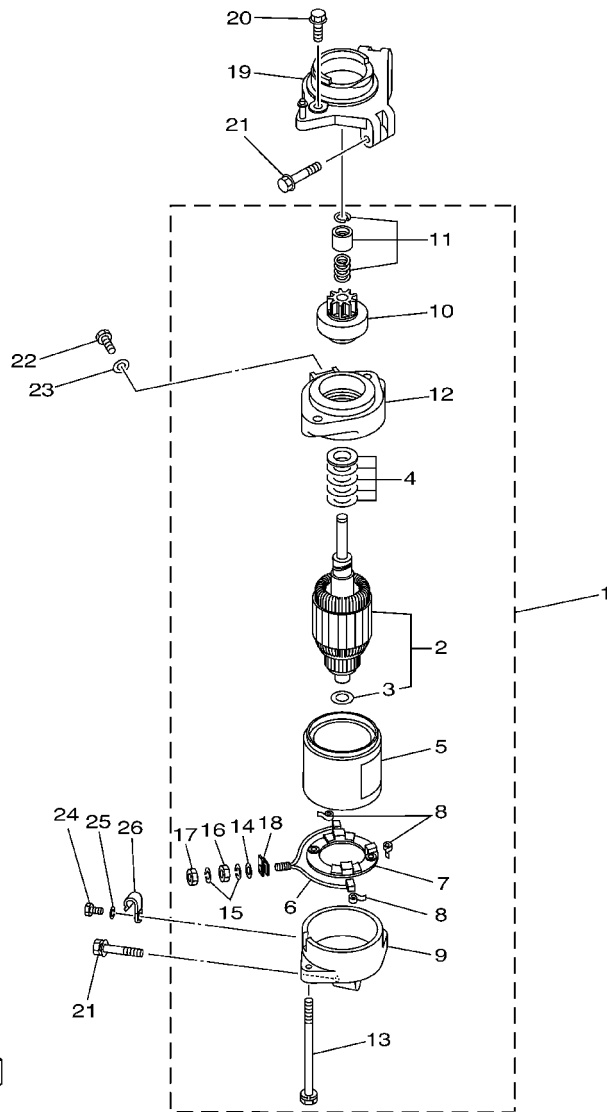
REF. NO.	PART NO. CODIGO NO.	DESCRIPTION DESCRIPTION	ETO	ET	LETO	LET	REMARKS OBSERVACION
1	61A-85780-00	SENSOR, KNOCK CHOCAR SENSORIO	1	1	1	1	
2	61A-85790-00	THERMOSENSOR ASSY TERMICA SENSORIO	1	1	1	1	
3	92990-10600	WASHER, PLATE ARANDELA	1	1	1	1	
4	61A-85895-00	CRANK POSITION SENDER SENSOR, POSICION DE CIGUENAL	1	1	1	1	
5	97885-05012	SCREW, PAN HEAD TORNILLO DE CABEZA CON PLANA	2	2	2	2	
6	61A-82560-00	THERMO SWITCH ASSY INTER. DE TERMO	2	2	2	2	
7	61A-8252U-00	COVER CUBIERTA	2	2	2	2	
8	97080-06012	BOLT PERNO	2	2	2	2	
9	90465-11M10	CLAMP BRIDA	2	2	2	2	
10	61A-85885-00	THROTTLE SENSOR ASSY TERMICA SENSORIO	1	1	1	1	
11	97885-05010	SCREW, PAN HEAD TORNILLO DE CABEZA CON PLANA	2	2	2	2	
12	92995-05600	WASHER ARANDELA	2	2	2	2	
13	6K7-14573-00	LEVER PALANCA	1	1	1	1	
14	61A-85886-00	BRACKET SOPORTE	1	1	1	1	
15	91690-30016	PIN, SPRING PASADOR DE RESORTE	1	1	1	1	
16	90387-05M00	COLLAR COLLAR	2	2	2	2	
17	90480-10M23	GROMMET TAPON	2	2	2	2	
18	97885-05025	SCREW, PAN HEAD TORNILLO DE CABEZA CON PLANA	2	2	2	2	
19	92995-05100	WASHER ARANDELA	2	2	2	2	
20	92995-05600	WASHER ARANDELA	2	2	2	2	
21	90201-05M03	WASHER, PLATE ARANDELA PLANA	2	2	2	2	



61A0010-0150

FIG. 18 STARTING MOTOR

MOTOR DE ARRANQUE

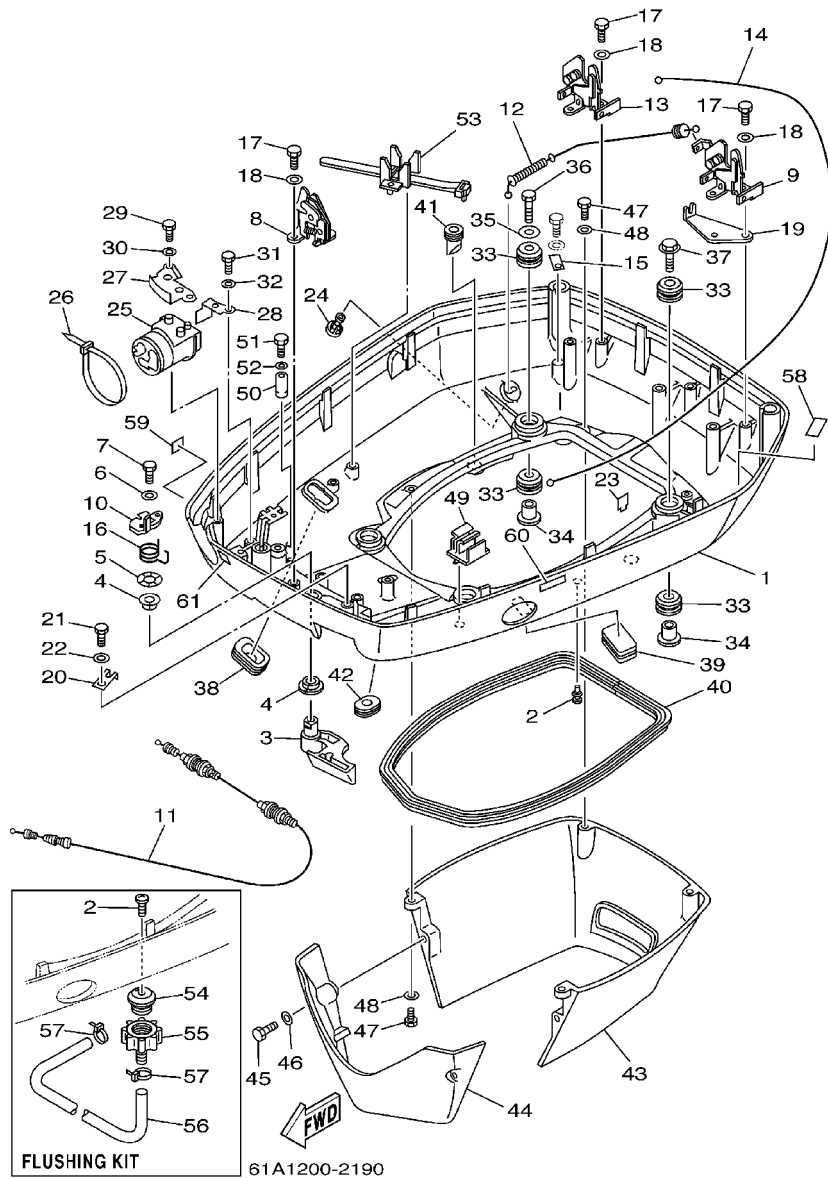


69L1110-1170

REF. NO.	PART NO. CODIGO NO.	DESCRIPTION DESCRIPTION					REMARKS OBSERVACION
			ETO	ET	LETO	LET	
1	61A-81800-01	STARTING MOTOR ASSY MOTOR DE ARRANQUE COMPLETO	1	1	1	1	
2	61A-81850-01	.ARMATURE ASSY .INDUCIDO COMPLETO	1	1	1	1	
3	61A-81824-00	.WASHER 2 .ARANDELA 2	1	1	1	1	
4	61A-81809-00	.WASHER KIT .JUEGO DE ARANDELA	1	1	1	1	
5	6K7-81810-10	.STATOR ASSY .ESTATOR COMPLETO	1	1	1	1	
6	6K7-81801-10	.BRUSH SET .JUEGO DE ESCOBILLA	1	1	1	1	
7	61A-81840-00	.BRUSH HOLDER ASSY .SOSTEN DE ESCOBILLA COMPLETO	1	1	1	1	
8	6E5-81813-10	.SPRING, BRUSH .RESORTE DE ESCOBILLA	3	3	3	3	
9	61A-81820-00	.REAR BRACKET ASSY .CUBIERTA TRASERA COMPL	1	1	1	1	
10	61A-81807-00	.GEAR ASSY, STARTING MOTOR .PINON CONJUNTO	1	1	1	1	
11	61H-81857-00	.RETAINER .SEGURO	1	1	1	1	
12	61A-81830-00	.FRONT BRACKET ASSY .SOPORTE DELANTERO COMPLETO	1	1	1	1	
13	6K7-81826-10	.BOLT .PERNO	2	2	2	2	
14	6E5-8182E-10	.WASHER .RONDANA	1	1	1	1	
15	6E5-8182F-10	.WASHER .RONDANA	2	2	2	2	
16	6E5-8182A-10	.NUT .TUERCA	1	1	1	1	
17	6E5-8182K-10	.NUT .TUERCA	1	1	1	1	
18	6K7-8182G-10	.BUSH, TERMINAL .BUJE DE TERMINAL	1	1	1	1	
19	61A-81822-00-94	BRACKET, STARTING MOTOR SOPORTE DE MOTOR DE ARRANQUE	1	1	1	1	
20	90119-08M76	BOLT, WITH WASHER TORNILLO CON ARANDELA	2	2	2	2	
21	90119-08M77	BOLT, WITH WASHER TORNILLO CON ARANDELA	3	3	3	3	
22	97095-08016	BOLT PERNO	1	1	1	1	
23	92995-08600	WASHER ARANDELA	1	1	1	1	
24	97095-06012	BOLT PERNO	1	1	1	1	
25	92995-06600	WASHER ARANDELA	1	1	1	1	
26	90465-06M86	CLAMP BRIDA	1	1	1	1	

FIG. 19 BOTTOM COWLING

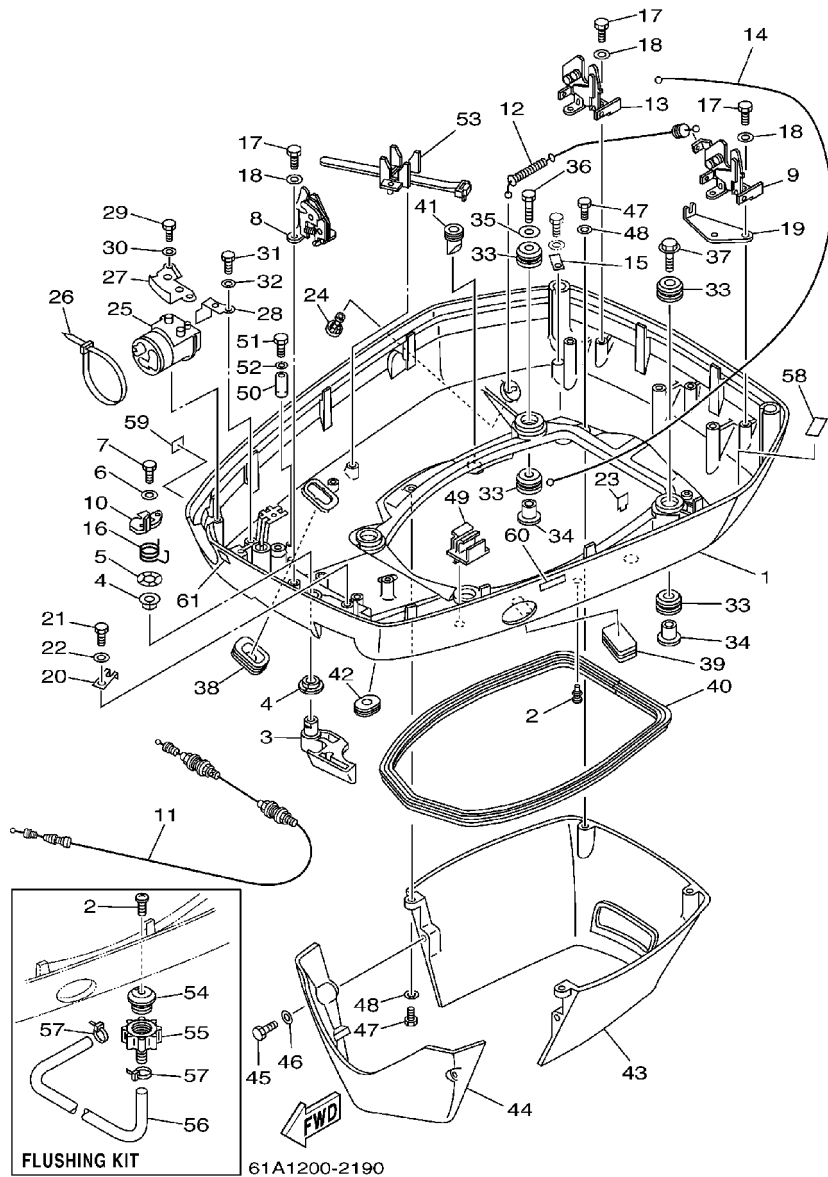
CUBIERTA INFERIOR



REF. NO.	PART NO. CODIGO NO.	DESCRIPTION DESCRIPTION	ETO	ET	LETO	LET	REMARKS OBSERVACION
1	61A-42711-05-8D	COWLING, BOTTOM CUBIERTA INFERIOR	1	1	1	1	
2	90480-06M19	GROMMET TAPON	1	1	1	1	
	90169-05M00	SCREW, TRUSS HEAD TAPPING TORNILLO	1		1		FLUSHING KIT
3	61A-42815-01-8D	LEVER, CLAMP PALANCA ABRAZADERA	1	1	1	1	
4	90386-13M88	BUSH BUJE	2	2	2	2	
5	90206-13M10	WASHER, WAVE ARANDELA ONDULADA	1	1	1	1	
6	90201-06M30	WASHER, PLATE ARANDELA PLANA	1	1	1	1	
7	90109-06M50	BOLT PERNO	1	1	1	1	
8	6R3-42824-00	BASE, CLAMP LEVER BASE, GRAMPA PALANCA	1	1	1	1	
9	6R3-42811-01	STAY SOPORTE GRAMPA	1	1	1	1	
10	6R3-42816-00	LEVER, CLAMP PALANCA ABRAZADERA	1	1	1	1	
11	6R3-42850-10	WIRE COMPLETE CABLE COMPLETO	1	1	1	1	
12	61A-42850-01	WIRE COMPLETE CABLE COMPLETO	1	1	1	1	
13	6R3-42811-10	STAY SOPORTE GRAMPA	1	1	1	1	
14	61A-42850-20	WIRE COMPLETE CABLE COMPLETO	1	1	1	1	
15	682-44117-00	BRACKET SOPORTE	1	1	1	1	
16	6R3-42813-00	SPRING, CLAMP LEVER RESORTE	1	1	1	1	
17	97095-06016	BOLT PERNO	6	6	6	6	
18	92995-06600	WASHER ARANDELA	6	6	6	6	
19	6N7-42828-00	PLATE, CLAMP PLACA, GRAMPA	1	1	1	1	
20	6R3-42828-00	PLATE, CLAMP PLACA, GRAMPA	1	1	1	1	
21	97095-06010	BOLT PERNO	1	1	1	1	
22	92995-06600	WASHER ARANDELA	1	1	1	1	
23	6N7-42841-00	MARK, CLAMP MARCA, GRAPA	1	1	1	1	
24	6E5-44391-00	NIPPLE, HOSE NIPLE MANGUERA	1	1	1	1	
25	61A-42725-12	GROMMET TAPON	1		1		
	61A-42725-02	GROMMET TAPON		1		1	

FIG. 19 BOTTOM COWLING

CUBIERTA INFERIOR



REF. NO.	PART NO. CODIGO NO.	DESCRIPTION DESCRIPTION	ETO	ET	LETO	LET	REMARKS OBSERVACION
26	90465-13M30	CLAMP BRIDA	1	1	1	1	
27	61A-42738-02-5B	PLATE, FITTING PLACA DE AJUSTE	1	1	1	1	
28	64D-42738-10-5B	PLATE, FITTING PLACA DE AJUSTE	1	1	1	1	
29	97095-06016	BOLT PERNO	2	2	2	2	
30	92995-06600	WASHER ARANDELA	2	2	2	2	
31	97095-06012	BOLT PERNO	1	1	1	1	
32	92995-06600	WASHER ARANDELA	1	1	1	1	
33	90480-22M81	GROMMET TAPON	8	8	8	8	
34	90387-08M37	COLLAR COLLAR	4	4	4	4	
35	90201-08M54	WASHER, PLATE ARANDELA PLANA	1	1	1	1	
36	97075-08035	BOLT PERNO	1	1	1	1	
37	90119-08M22	BOLT, WITH WASHER TORNILLO CON ARANDELA	3	3	3	3	
38	688-42726-10	GROMMET TAPON	1	1	1	1	
39	6H4-42726-00	GROMMET TAPON	1	1	1	1	
40	61A-42716-00	RUBBER, SEAL 1 SELLO DE GOMA 1	1	1	1	1	
41	61A-42717-00	RUBBER, SEAL 2 SELLO DE GOMA 2	4	4	4	4	
42	61A-42727-00	GROMMET TAPON	1	1	1	1	
43	61A-42741-01-8D	APRON MANDIL	1	1	1	1	
44	61A-42771-01-8D	APRON MANDIL	1	1	1	1	
45	97095-06030	BOLT PERNO	2	2	2	2	
46	92995-06600	WASHER ARANDELA	2	2	2	2	
47	97095-06020	BOLT PERNO	4	4	4	4	
48	92995-06600	WASHER ARANDELA	4	4	4	4	
49	6E5-82594-00	CLAMP GRAMPA	1	1	1	1	
50	6E5-82588-00	PLATE PLACA	1	1	1	1	
51	97095-06020	BOLT PERNO	1	1	1	1	
52	92995-06600	WASHER ARANDELA	1	1	1	1	

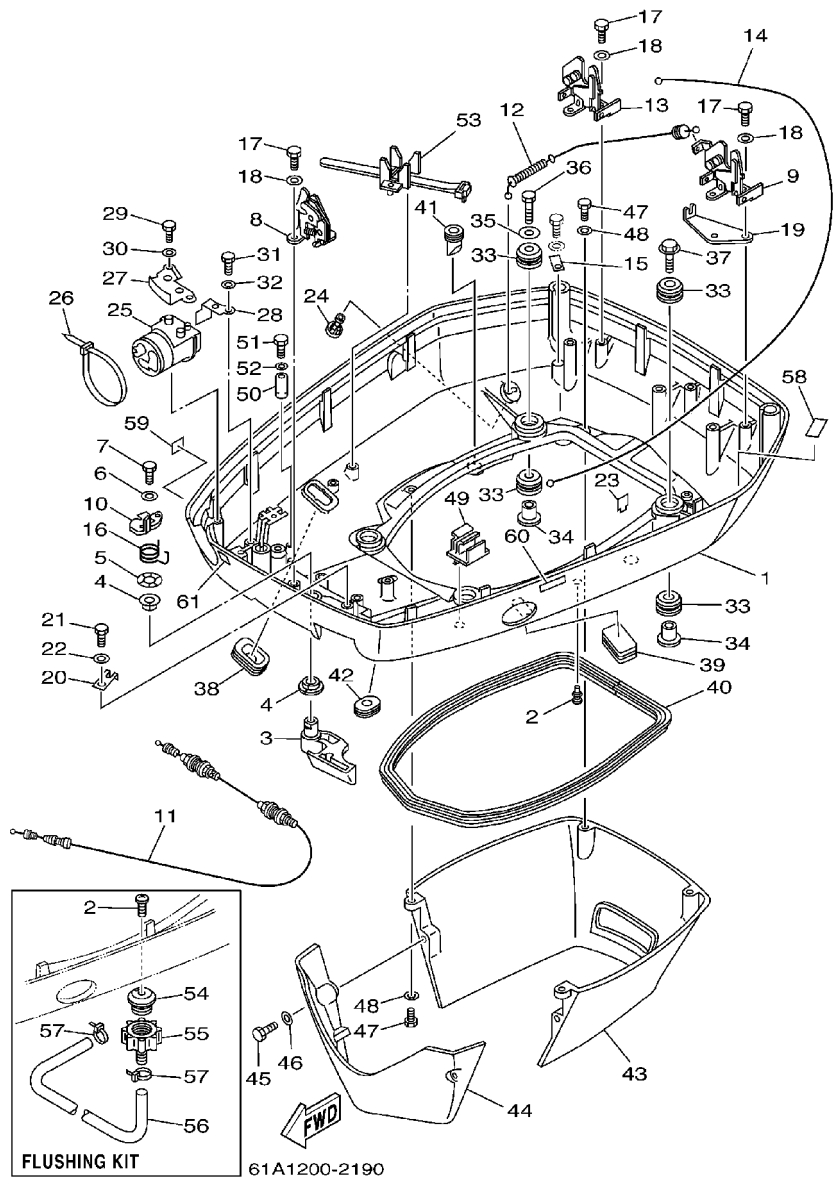


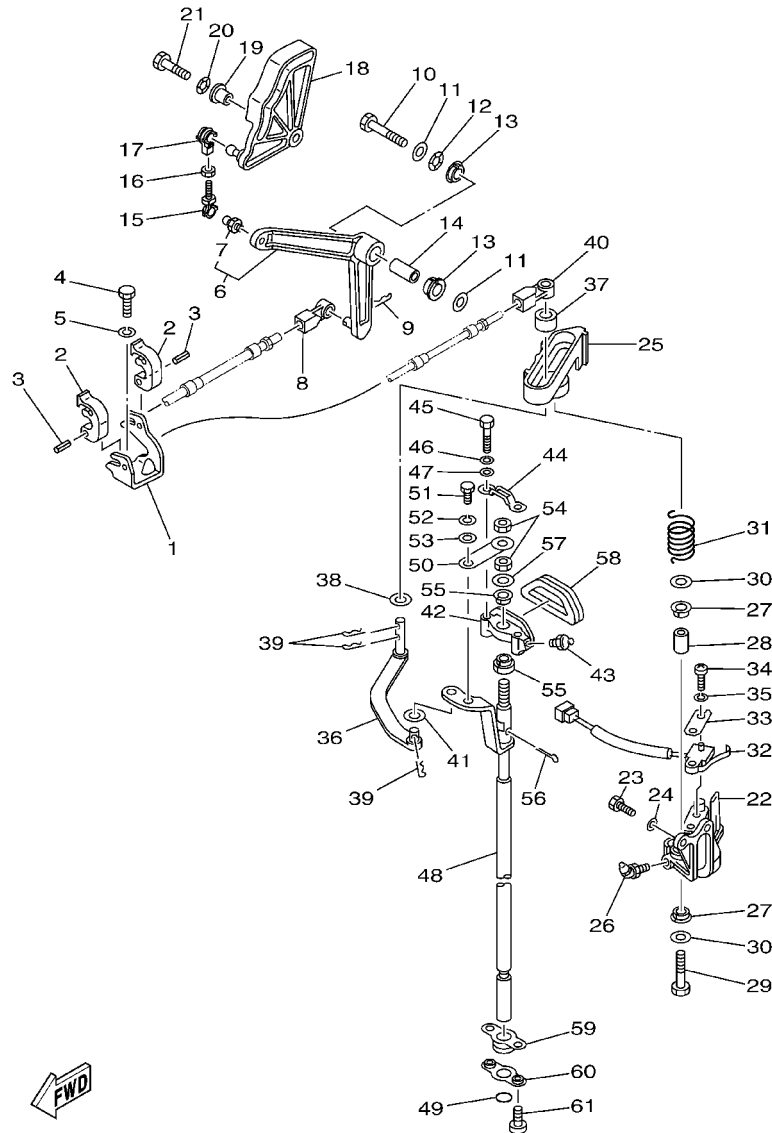
FIG. 19 BOTTOM COWLING

CUBIERTA INFERIOR

REF. NO.	PART NO. CODIGO NO.	DESCRIPTION DESCRIPTION	ETO	ET	LETO	LET	REMARKS OBSERVACION
53	688-82594-00	CLAMP GRAMPA	1	1	1	1	
54	6R3-12572-00	ADAPTER ADAPTADOR	1		1		FLUSHING KIT
55	6R3-12580-00	JOINT ASSY ACOPLAR COMP.	1		1		FLUSHING KIT
56	90445-11M36	HOSE (L540) TUBO (L540)	1		1		FLUSHING KIT
57	90465-11M10	CLAMP BRIDA	2		2		FLUSHING KIT
58	6G5-42791-10	MARK 1 MARCA 1	1	1	1	1	
	6K7-42791-00	MARK 1 MARCA 1	1		1		SWS-FOR CARIB, BRAZIL
59	6A1-28176-00	LABEL, CAUTION ETIQUETA DE PRECAUCION	1		1		FOR CARIB
60	6E3-8257H-00	PLATE, MARK PLACA DE MARCA	1		1		FOR CARIB
61	61A-42792-00	MARK MARCA 2		1		1	

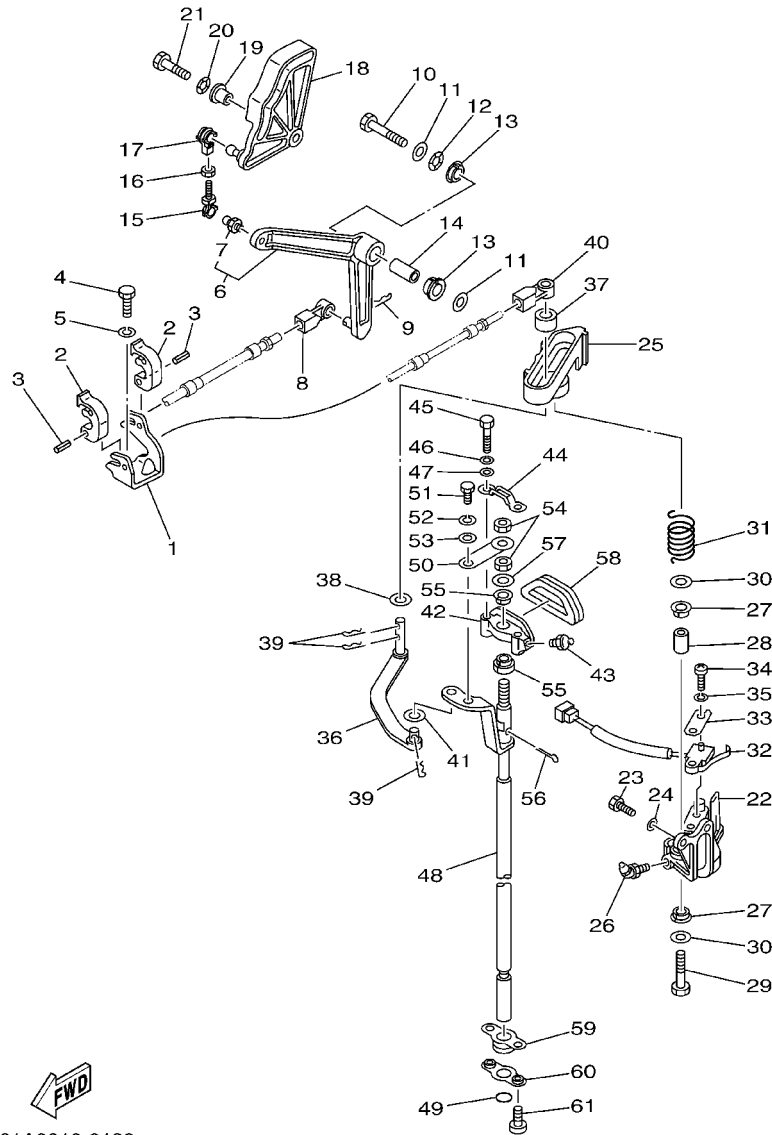
FIG. 20 CONTROL

CONTROL



61A0010-0180

REF. NO.	PART NO. CODIGO NO.	DESCRIPTION DESCRIPTION	ETO	ET	LETO	LET	REMARKS OBSERVACION
1	61A-48531-00	BRACKET, REMOTE CONTROL 1 SOPORTE DE CONTROL REMOTO	1	1	1	1	
2	6E5-48538-00	CLAMP, CABLE GRAMPA DE CABLE	2	2	2	2	
3	91690-30012	PIN, SPRING PASADOR DE RESORTE	2	2	2	2	
4	97095-08020	BOLT PERNO	1	1	1	1	
5	92995-08100	WASHER ARANDELA	1	1	1	1	
6	61A-41632-00-1S	LEVER, MAGNETO CONTROL PALANCA DE CONTROL DE MAGNETO	1	1	1	1	
7	663-85518-00	.JOINT, BALL .CONECTOR	1	1	1	1	
8	6E5-48344-00	CABLE END, REMOTE CONTROL BASE CONTROL	1	1	1	1	
9	90468-18008	CLIP PRESILLA	1	1	1	1	
10	97013-08045	BOLT PERNO	1	1	1	1	
11	92990-08200	WASHER, PLAIN ARANDELA	2	2	2	2	
12	90206-12M00	WASHER, WAVE ARANDELA ONDULADA	1	1	1	1	
13	90386-12069	BUSH BUJE	2	2	2	2	
14	90387-08M16	COLLAR COLLAR	1	1	1	1	
15	6G5-41211-01	LINK, ACCEL. ESLABON, ACELERADOR	1	1	1	1	
16	95380-05600	NUT TUERCA	1	1	1	1	
17	6H4-41237-00	JOINT, LINK CONECTOR	1	1	1	1	
18	61A-41213-00	CAM, ACCEL. LEVA ACELERADOR	1	1	1	1	
19	90387-06M29	COLLAR COLLAR	1	1	1	1	
20	90206-10M04	WASHER, WAVE ARANDELA ONDULADA	1	1	1	1	
21	97095-06025	BOLT PERNO	1	1	1	1	
22	61A-44117-01-1S	BRACKET SOPORTE	1	1	1	1	
23	97095-06016	BOLT PERNO	2	2	2	2	
24	92995-06600	WASHER ARANDELA	2	2	2	2	
25	61A-44176-00-1S	BRACKET SOPORTE	1	1	1	1	
26	93700-06M01	NIPPLE, GRÉASE NIPLE DE ENGRASAR	1	1	1	1	
27	90386-12069	BUSH BUJE	2	2	2	2	



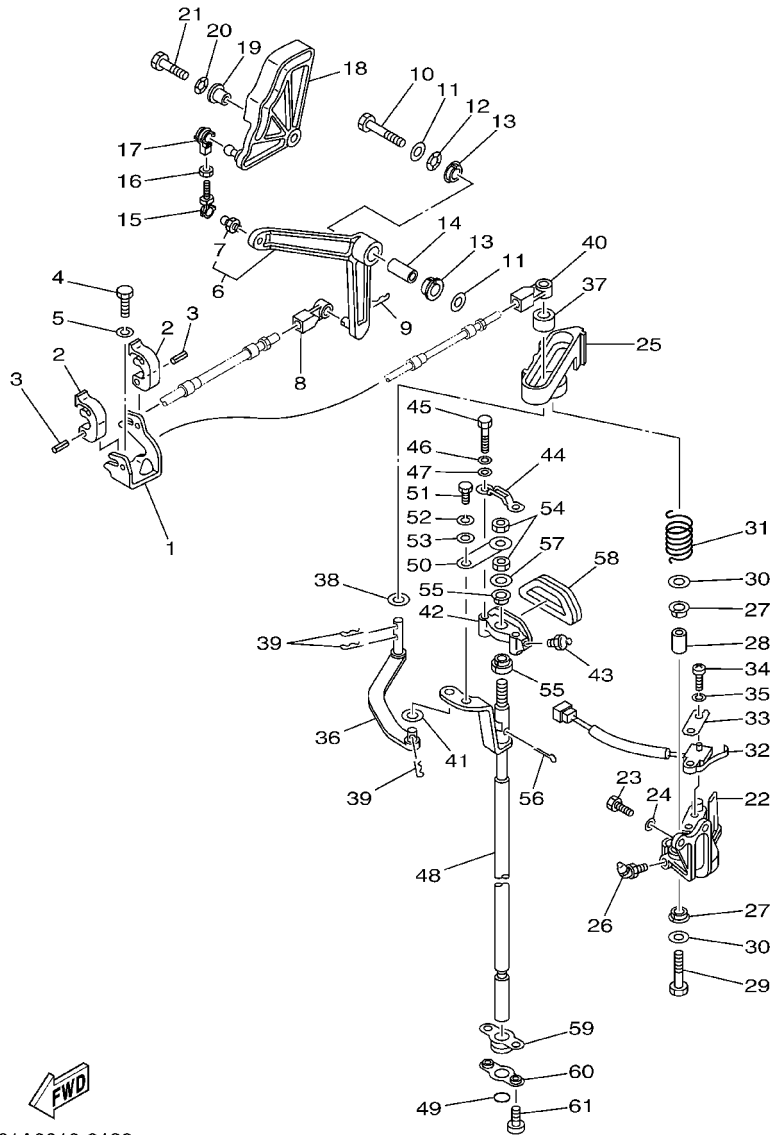
61A0010-0180

FIG. 20 CONTROL

CONTROL

REF. NO.	PART NO. CODIGO NO.	DESCRIPTION DESCRIPTION	ETO	ET	LETO	LET	REMARKS OBSERVACION
28	90387-08M09	COLLAR COLLAR	1	1	1	1	
29	97095-08035	BOLT PERNO	1	1	1	1	
30	92995-08200	WASHER ARANDELA	2	2	2	2	
31	90508-20M31	SPRING, TORSION RESORTE DE TORSION	1	1	1	1	
32	61A-8259F-00	SWITCH ASSY INTERRUPTOR	1	1	1	1	
33	61A-82588-00	PLATE PLACA	1	1	1	1	
34	97885-04016	SCREW, PAN HEAD TORNILLO DE CABEZA CON PLANA	2	2	2	2	
35	92995-04100	WASHER ARANDELA	2	2	2	2	
36	61A-44121-00	LEVER, SHIFT ROD PALANCA VARILLA CAMBIOS	1	1	1	1	
37	6E5-44122-00	BUSHING, SHIFT ROD LEVER BUJE PALANCA VARILLA DE CAMBIO	1	1	1	1	
38	90202-08M20	WASHER, PLATE ARANDELA DE PLANA	1	1	1	1	
39	90468-18008	CLIP PRESILLA	3	3	3	3	
40	6E5-48344-00	CABLE END, REMOTE CONTROL BASE CONTROL	1	1	1	1	
41	90202-06007	WASHER, PLATE ARANDELA DE PLANA	1	1	1	1	
42	61A-44118-00-8D	BRACKET SOPORTE	1	1	1	1	
43	93700-06M03	NIPPLE, GREASE NIPLE DE ENGRASAR	1	1	1	1	
44	61A-44116-00	SPRING RESORTE	1	1	1	1	
45	97095-06030	BOLT PERNO	2	2	2	2	
46	92995-06100	WASHER, SPRING ARANDELA	2	2	2	2	
47	92995-06600	WASHER ARANDELA	2	2	2	2	
48	61A-44120-22	HANDLE GEAR SHIFT ASSY MANIJA DE CAMBIO COMPL	1	1	1	1	X
	61A-44120-32	HANDLE GEAR SHIFT ASSY MANIJA DE CAMBIO COMPL	1	1	1	1	U
49	93210-09165	O-RING ANILLO O	1	1	1	1	
50	61A-44112-00	STAY, HANDLE GEAR SHIFT SOPORTE HANIJA DE CABIO DE MAR	1	1	1	1	
51	97013-06012	BOLT PERNO	1	1	1	1	
52	92903-06100	WASHER, SPRING ARANDELA	1	1	1	1	
53	92903-06600	WASHER, PLATE ARANDELA	1	1	1	1	

F4



61A0010-0180

FIG. 20 CONTROL

CONTROL

REF. NO.	PART NO. CODIGO NO.	DESCRIPTION DESCRIPTION	ETO	ET	LETO	LET	REMARKS OBSERVACION
54	95313-08600	NUT TUERCA	2	2	2	2	
55	90386-90M90	BUSH BUJE	2	2	2	2	
56	91490-20012	PIN, COTTER PASADOR DE CHAVETA	1	1	1	1	
57	90201-09M02	WASHER, PLATE ARANDELA PLANA	1	1	1	1	
58	61A-15315-00	SEAL, CRANKCASE SELLO DE CARTER	1	1	1	1	
59	61A-42724-00	GROMMET TAPON	1	1	1	1	
60	61A-44138-00	WASHER ARANDELA	1	1	1	1	
61	97885-06008	SCREW, PAN HEAD TORNILLO DE CABEZA CON PLANA	2	2	2	2	



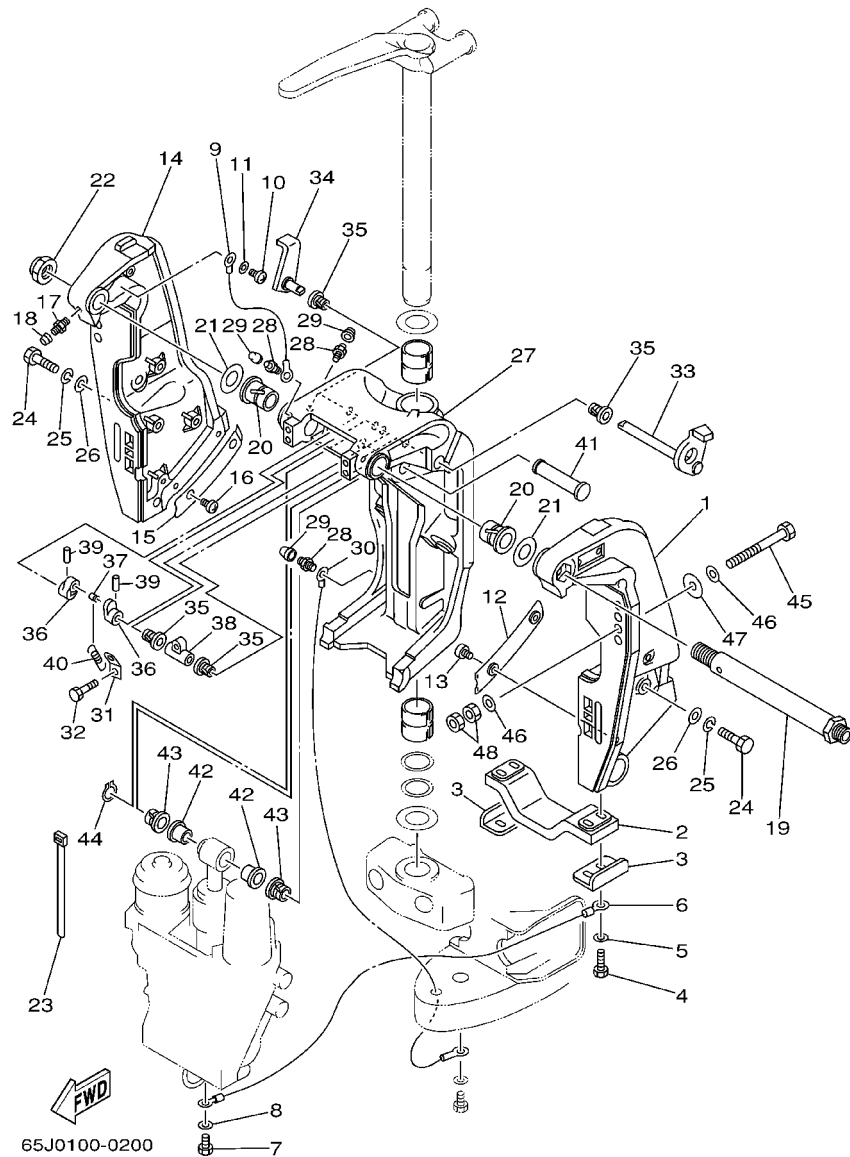


FIG. 21 BRACKET 1

SOPORTE 1

REF. NO.	PART NO. CODIGO NO.	DESCRIPTION DESCRIPTION	ETO	ET	LETO	LET	REMARKS OBSERVACION
1	61A-43111-23-8D	BRACKET, CLAMP SOPORTE DE LA ABRAZADERA	1	1	1	1	
2	6G5-45251-01	ANODE CATODE	1	1	1	1	
3	6G5-44526-00	PLATE PLACA 1	2	2	2	2	
4	97095-06025	BOLT PERNO	4	4	4	4	
5	92995-06600	WASHER ARANDELA	4	4	4	4	
6	6H1-82148-00	WIRE, LEAD 4 CABLE CONDUCTOR 4	1	1	1	1	
7	97095-06010	BOLT PERNO	1	1	1	1	
8	92995-06600	WASHER ARANDELA	1	1	1	1	
9	6E5-82148-00	WIRE, LEAD 4 CABLE CONDUCTOR 4	1	1	1	1	
10	97885-06012	SCREW, PAN HEAD TORNILLO DE CABEZA CON PLANA	1	1	1	1	
11	92995-06600	WASHER ARANDELA	1	1	1	1	
12	61A-43132-00	WASHER, FRICTION ARANDELA DE FRICCION	1	1	1	1	
13	97885-06010	SCREW, PAN HEAD TORNILLO DE CABEZA CON PLANA	2	2	2	2	
14	61A-43112-23-8D	BRACKET, CLAMP SOPORTE DE LA ABRAZADERA	1	1	1	1	
15	61A-43133-00	WASHER, FRICTION RONDANA	1	1	1	1	
16	97885-06010	SCREW, PAN HEAD TORNILLO DE CABEZA CON PLANA	2	2	2	2	
17	93700-06M03	NIPPLE, GREASE NIPLE DE ENGRASAR	1	1	1	1	
18	663-45119-00	CAP, GREASE NIPPLE TAPA DE GRASERA	1	1	1	1	
19	6R3-43131-00	BOLT, CLAMP BRACKET TORNILLO DE ABRAZADERA DEL SOP	1	1	1	1	
20	90386-25M31	BUSH BUJE	2	2	2	2	
21	90201-26M59	WASHER, PLATE ARANDELA PLANA	2	2	2	2	
22	90185-22M11	NUT, SELF-LOCKING TUERCA AUTOBLOCANTE	1	1	1	1	
23	90465-11M10	CLAMP BRIDA	2	2	2	2	
24	97095-10045	BOLT PERNO	8	8	8	8	
25	92995-10100	WASHER ARANDELA	8	8	8	8	
26	92995-10600	WASHER ARANDELA	8	8	8	8	
27	61A-43311-21-8D	BRACKET, SWIVEL 1 SOPORTE GIRATORIO 1	1	1	1	1	X

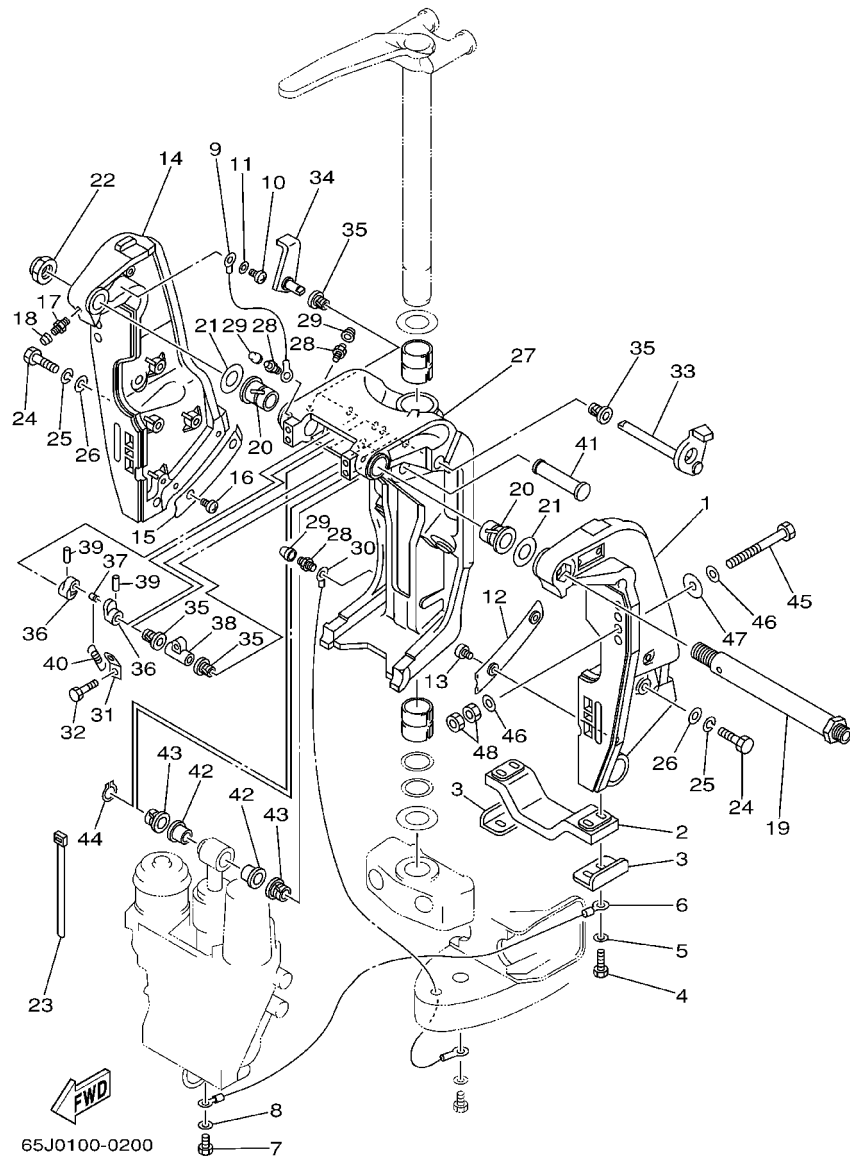


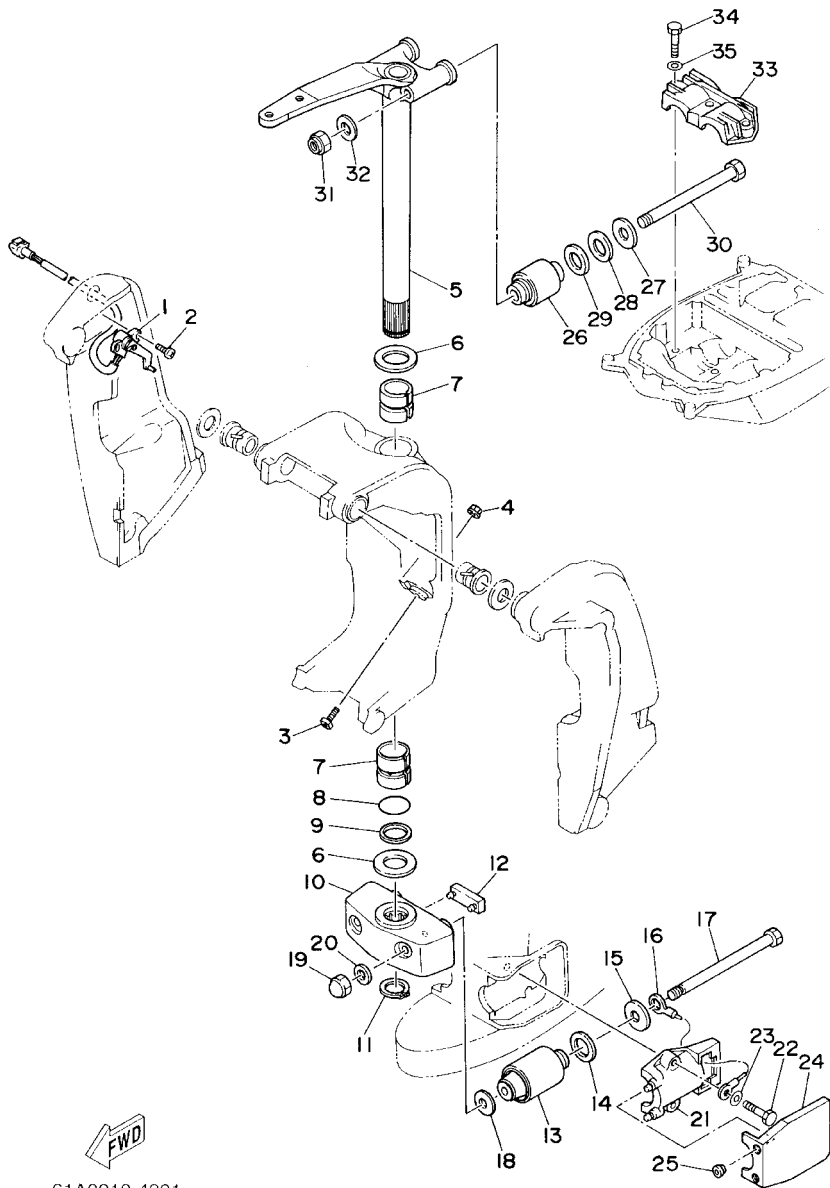
FIG. 21 BRACKET 1

SOPORTE 1

REF. NO.	PART NO. CODIGO NO.	DESCRIPTION DESCRIPTION	ETO	ET	LETO	LET	REMARKS OBSERVACION
27	61A-43311-31-8D	BRACKET, SWIVEL 1 SOPORTE GIRATORIO 1	1	1	1	1	U
28	93700-06M03	NIPPLE, GREASE NIPLE DE ENGRASAR	5	5	5	5	
29	663-45119-00	CAP, GREASE NIPPLE TAPA DE GRASERA	5	5	5	5	
30	61A-82147-20	WIRE, LEAD 4 CABLE CONDUCTOR 4	1	1	1	1	X
	61A-82147-30	WIRE, LEAD 4 CABLE CONDUCTOR 4	1	1	1	1	U
31	6G5-43144-00	HOOK, SPRING GANCHO	1	1	1	1	
32	97095-06010	BOLT PERNO	1	1	1	1	
33	61A-43181-01	LEVER, TILT STOP PALANCA TOPE INCLINACION	1	1	1	1	
34	6G5-43185-02	LEVER, TILT STOP PALANCA TOPE INCLINACION	1	1	1	1	
35	90386-10M16	BUSH BUJE	4	4	4	4	
36	6G5-43148-00	COLLAR, DISTANCE COLLAR	2	2	2	2	
37	90249-06M19	PIN PASADOR	1	1	1	1	
38	90387-10M02	COLLAR COLLAR	1	1	1	1	
39	91690-30020	PIN, SPRING PASADOR DE RESORTE	2	2	2	2	
40	90506-14M24	SPRING, TENSION RESORTE DE TENSION	1	1	1	1	
41	6E5-43126-02	PIN, UPPER SHOCK MOUNT PASADOR DE AMORTIGUADOR SUPERIOR	1	1	1	1	
42	90386-18M63	BUSH BUJE	2	2	2	2	
43	90386-18M14	BUSH BUJE	2	2	2	2	
44	93410-18M02	CIRCLIP BOLA	1	1	1	1	
45	90101-12M05	BOLT (L:130MM) TORNILLO (L:130MM)	4	4	4	4	
46	90201-13M01	WASHER, PLATE ARANDELA PLANA	8	8	8	8	
47	90201-12M05	WASHER, PLATE ARANDELA PLANA	4	4	4	4	
48	95380-12600	NUT TUERCA	8	8	8	8	

FIG. 22 BRACKET 2

SOPORTE 2



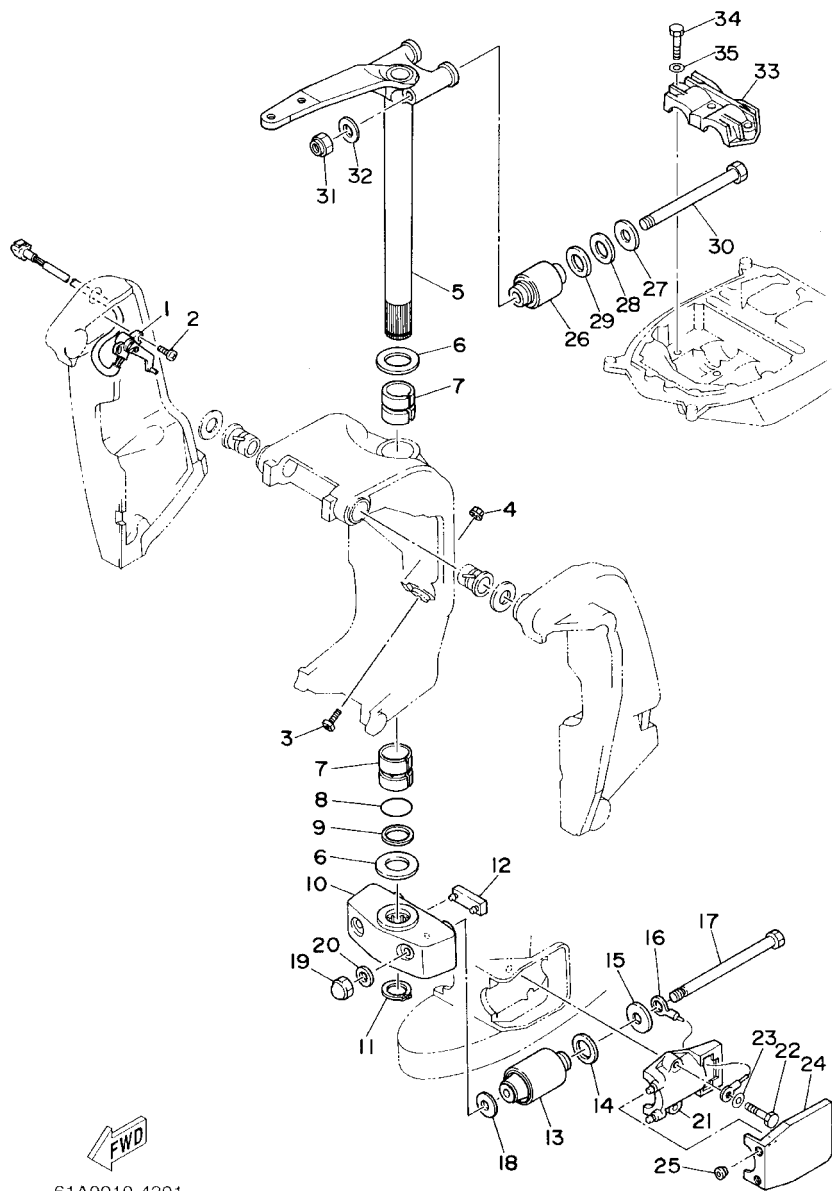
61A0010-4201

REF. NO.	PART NO. CODIGO NO.	DESCRIPTION DESCRIPTION	ETO	ET	LETO	LET	REMARKS OBSERVACION
1	61A-83672-02	TRIM SENDER TRANSMISOR DE INCLINADOR	1	1	1	1	
2	97885-06016	SCREW, PAN HEAD TORNILLO DE CABEZA CON PLANA	2	2	2	2	
3	61A-43376-00	BOLT, THRUST RECEIVER TORNILLO RECEPTOR	2	2	2	2	
4	95780-10300	NUT, FLANGE TUERCA DE BRIDA	2	2	2	2	
5	61A-42510-21-8D	STEERING BRACKET ASSY SOPORTE DIRECCION COMPL.	1	1	1	1	X
	61A-42510-31-8D	STEERING BRACKET ASSY SOPORTE DIRECCION COMPL.	1	1	1	1	U
6	90201-40M00	WASHER, PLATE ARANDELA PLANA	2	2	2	2	
7	90386-39M89	BUSH BUJE	2	2	2	2	
8	93210-35321	O-RING ANILLO O	1	1	1	1	
9	90202-40M47	WASHER, PLATE ARANDELA DE PLANA	1	1	1	1	
10	61A-44551-01-8D	HOUSING, LOWER MOUNT RUBBER CAJA AMORTIGUADOR INFERIOR HU	1	1	1	1	
11	93410-37M04	CIRCLIP BOLA	1	1	1	1	
12	61A-44575-00	DAMPER, LOWER MOUNT RUBBER AMORTIGUADOR INFERIOR	1	1	1	1	
13	61A-44555-01-94	MOUNT DAMPER, LOWER SIDE AMORTIGUADOR DE HULE LADO INFE	2	2	2	2	
14	90202-32M19	WASHER, PLATE ARANDELA DE PLANA	2	2	2	2	
15	90201-16M55	WASHER, PLATE ARANDELA PLANA	2	2	2	2	
16	6E5-82149-00	WIRE, LEAD 3 CABLE CONDUCTOR 3	1	1	1	1	
17	90109-14M48	BOLT PERNO	2	2	2	2	
18	90201-15M58	WASHER, PLATE ARANDELA PLANA	2	2	2	2	
19	95380-14800	NUT TUERCA	2	2	2	2	
20	92995-14600	WASHER ARANDELA	2	2	2	2	
21	61A-44552-01-94	HOUSING, LOWER MOUNT RUBBER CAJA AMORTIGUADOR INFERIOR HU	2	2	2	2	
22	97095-10045	BOLT PERNO	4	4	4	4	
23	92995-10600	WASHER ARANDELA	4	4	4	4	
24	61A-44553-00-8D	COVER, LOWER MOUNT CUBIERTA, AMORTIGUADOR INFERIOR	2	2	2	2	
25	6A0-15789-00	DAMPÉR AMORTIGUADOR	4	4	4	4	
26	61A-44514-00-94	MOUNT DAMPER, UPPER SIDE AMORTIGUADOR LADO SUPERIOR	2	2	2	2	

FIG. 22 BRACKET 2

SOPORTE 2

REF. NO.	PART NO. CODIGO NO.	DESCRIPTION DESCRIPTION	ETO	ET	LETO	LET	REMARKS OBSERVACION
27	90201-16M01	WASHER, PLATE ARANDELA PLANA	2	2	2	2	
28	90202-28M46	WASHER, PLATE ARANDELA DE PLANA	2	2	2	2	
29	90201-28M01	WASHER, PLATE ARANDELA PLANA	2	2	2	2	
30	90109-14M10	BOLT PERNO	2	2	2	2	
31	90185-14M00	NUT, SELF-LOCKING TUERCA AUTOBLOCANTE	2	2	2	2	
32	92995-14600	WASHER ARANDELA	2	2	2	2	
33	61A-44511-00-94	COVER, UPPER MOUNT CUBIERTA AMORTIGUADOR SUPERIOR	1	1	1	1	
34	97095-10045	BOLT PERNO	3	3	3	3	
35	92995-10600	WASHER ARANDELA	3	3	3	3	



61A0010-4201

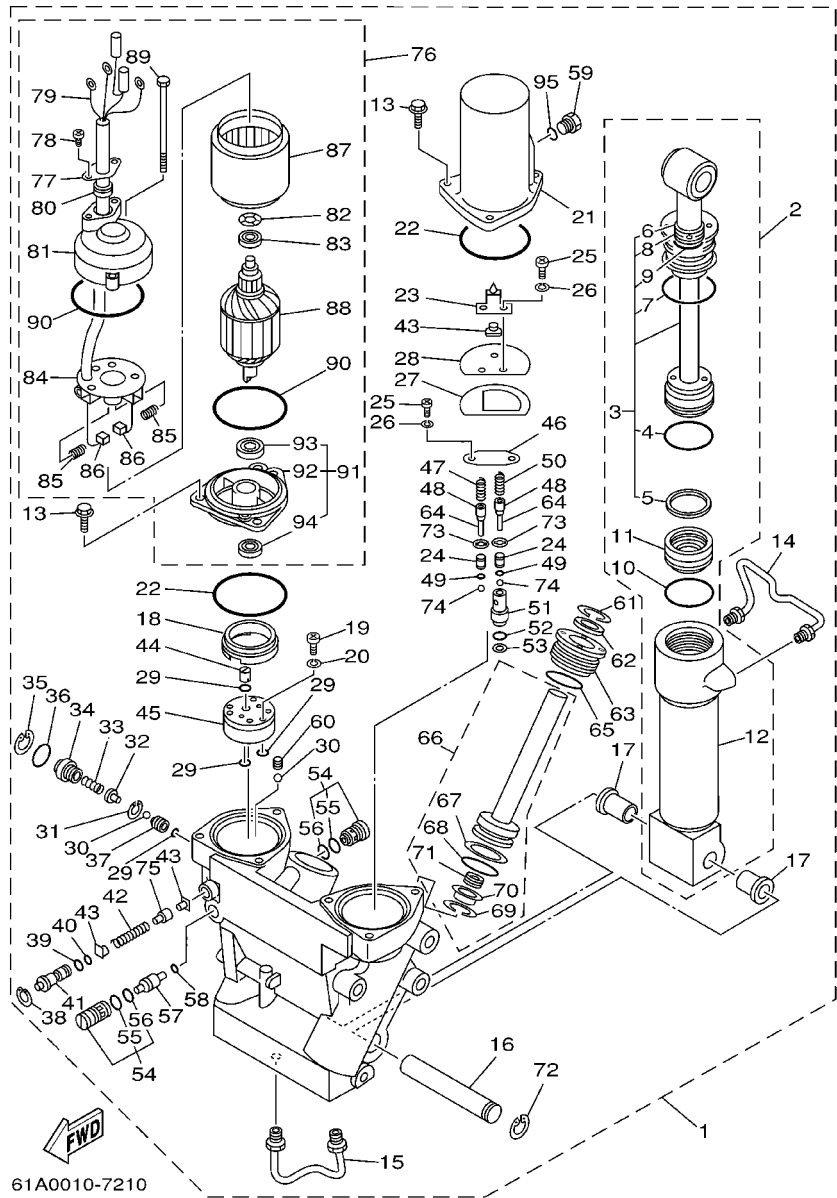


FIG. 23 POWER TRIM & TILT ASSY COMPONER Y PODER VARILLA

REF. NO.	PART NO. CODIGO NO.	DESCRIPTION DESCRIPTION	ETO	ET	LETO	LET	REMARKS OBSERVACION
1	61A-43800-25-4D	POWER TRIM & TILT ASSY ELEVADOR HIDRAULICO COMPL	1	1	1	1	
2	61A-43840-01	.POWER TILT ASSY .CONJUNTO COMPONER	1	1	1	1	
3	61A-43810-00	..TILT PISTON SUB ASSY ..ELEVADOR SUB-PISTON COMPL	1	1	1	1	
4	61A-43861-00	...O-RING ...ANILLO EN O 1	1	1	1	1	
5	61A-43871-00	...RING, BACK UP ...ANILLO	1	1	1	1	
6	93106-19N50	...OIL SEAL ...SELLO ACEITE	1	1	1	1	
7	6H1-43861-00	...O-RING ...ANILLO EN O 1	1	1	1	1	
8	6H1-43872-00	...RING, BACK UP ...ANILLO	1	1	1	1	
9	61A-4389H-00	...O-RING ...ANILLO EN O	1	1	1	1	
10	61A-43861-00	..O-RING ..ANILLO EN O 1	1	1	1	1	
11	6H1-43814-00	..PISTON, FREE ..PISTON LIBRE	1	1	1	1	
12	61A-43813-01	..CYLINDER, TILT ..CILINDRO INCLINACION	1	1	1	1	
13	97595-06420	.BOLT, WITH WASHER .PERNO CON ARANDELA RONDELLE	6	6	6	6	
14	61A-43835-01	.PIPE .TUBO 3	1	1	1	1	
15	61A-43833-01	.PIPE .TUBO 1	1	1	1	1	
16	61A-43818-00	.PIN, LOWER SHOCK MOUNT .PASADOR AMORTIGUADOR INFERIOR	1	1	1	1	
17	90386-18M14	.BUSH .BUJE	2	2	2	2	
18	6H1-43817-00	.FILTER 2 .FIELTRO 2	1	1	1	1	
19	98501-04030	.SCREW, PAN HEAD .TORNILLO DE CABEZA CON PLANA	3	3	3	3	
20	92901-04100	.WASHER, SPRING .ARANDELA	3	3	3	3	
21	61A-43828-00	.BODY, RESERVOIR .CUERPO DEPOSITO	1	1	1	1	
22	6H1-43869-00	.O-RING ANILLO EN O 9	2	2	2	2	
23	61A-4384L-00	.SPRING, TRIM DOWN .RESORTE	1	1	1	1	
24	6T4-43851-00	.SEAT, RELIEF VALVE .ASIENTO VALVULA DE DESCARGA	2	2	2	2	
25	98501-05010	.SCREW, PAN HEAD .TORNILLO DE CABEZA CON PLANA	4	4	4	4	
26	92901-05100	.WASHER, SPRING .ARANDELA	4	4	4	4	
27	61A-4384K-00	.PLATE, TRIM DOWN .PLACA	1	1	1	1	

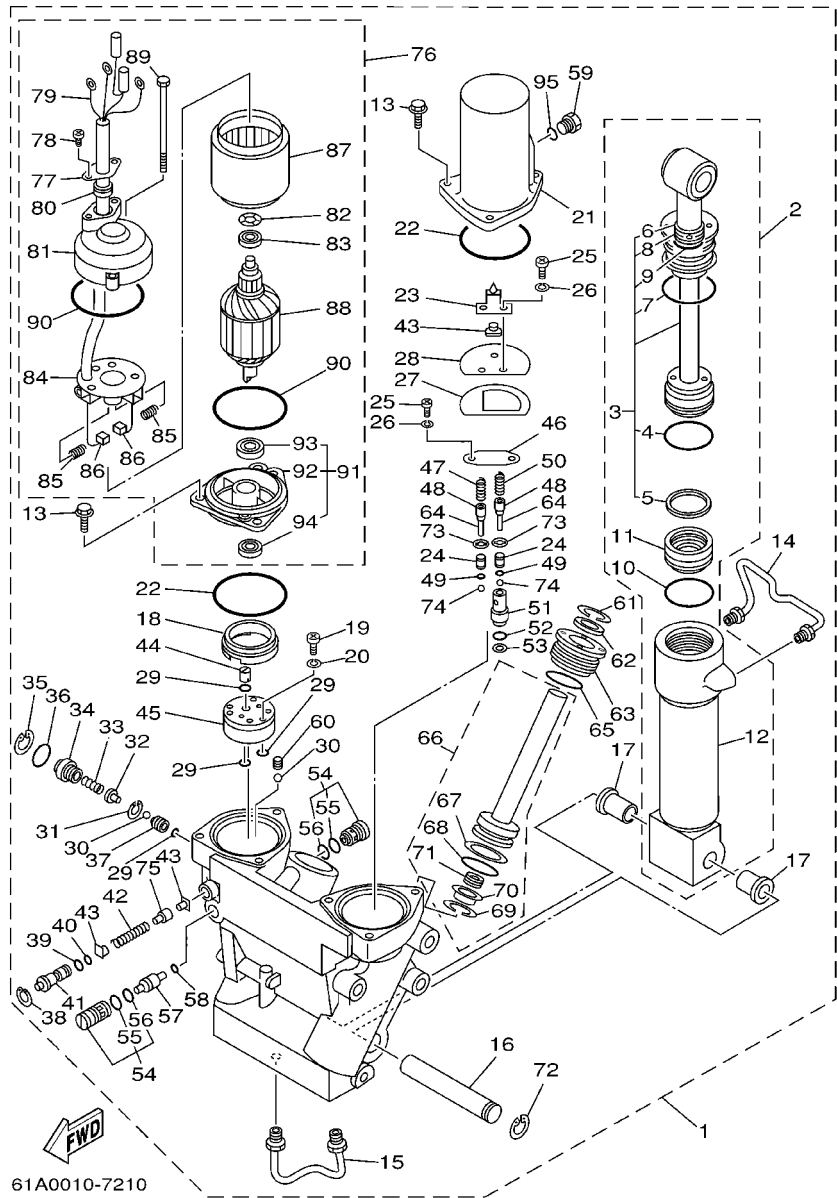


FIG. 23 POWER TRIM & TILT ASSY COMPONER Y PODER VARILLA

REF. NO.	PART NO. CODIGO NO.	DESCRIPTION DESCRIPTION	ETO	ET	LETO	LET	REMARKS OBSERVACION
28	61A-4384J-00	.SEAL, TRIM DOWN .SELLO	1	1	1	1	
29	93210-064A5	.O-RING .ANILLO O	4	4	4	4	
30	93505-32038	.BALL .BOLA	2	2	2	2	
31	61A-43875-00	.RING, SNAP .ANILLO	1	1	1	1	
32	61A-43848-00	.ROD, MANUAL RELEASE .VARILLA DESCOPLO MANUAL	1	1	1	1	
33	61A-43854-00	.SPRING, MANUAL RELEASE .RESORTE DESCOPLO MANUAL	1	1	1	1	
34	61A-43845-00	.SCREW, MANUAL RELEASE .TORNILLO DESCOPLO MANUAL	1	1	1	1	
35	6H1-43875-00	.RING, SNAP .ANILLO	1	1	1	1	
36	93210-18397	.O-RING .ANILLO O	1	1	1	1	
37	61A-43847-00	.SEAT, MANUAL VALVE .ASIENTO VALVULA MANUAL	1	1	1	1	
38	6T4-43876-00	.RING, SNAP .ANILLO	1	1	1	1	
39	93210-07003	.O-RING .ANILLO O	1	1	1	1	
40	93210-06001	.O-RING .ANILLO O	1	1	1	1	
41	6T4-43849-00	.PIN, VALVE SUPPORT .PASADOR VALVULA SOPORTE	1	1	1	1	
42	61A-4385H-00	.SPRING, SEAL .RESORTE	1	1	1	1	
43	6H1-4384F-00	.SEAL, MAIN VALVE .ASIENTO	3	3	3	3	
44	6H1-43831-00	.CONNECTOR, SHAFT .CONEXION EJE	1	1	1	1	
45	6T4-43830-00	.GEAR PUMP ASSY .ENGRANAJE BOMBA COMPL.	1	1	1	1	
46	61A-4382K-00	.CAP, RELIEF VALVE .CASQUILLO	1	1	1	1	
47	6H1-43856-10	.SPRING, DOWN RELIEF .RESORTE SEGURIDAD	1	1	1	1	
48	6T4-43844-00	.PIN, VALVE SUPPORT .PASADOR VALVULA SOPORTE	2	2	2	2	
49	6T4-4384G-00	.SEAL, RELIEF VALVE .ASIENTO	2	2	2	2	
50	6T4-43855-00	.SPRING, UP RELIEF .RESORTE SEGURIDAD SUPERIOR	1	1	1	1	
51	6T4-43895-00	.SEAT, RELIEF VALVE .ASIENTO	1	1	1	1	
52	93210-10M74	.O-RING .ANILLO O	1	1	1	1	
53	6H1-43816-00	.FILTER 1 .FIELTRO 1	1	1	1	1	
54	6T4-43802-03	.VALVE SUB ASSY .VALVULA PRINCIPAL COMPL.	2	2	2	2	

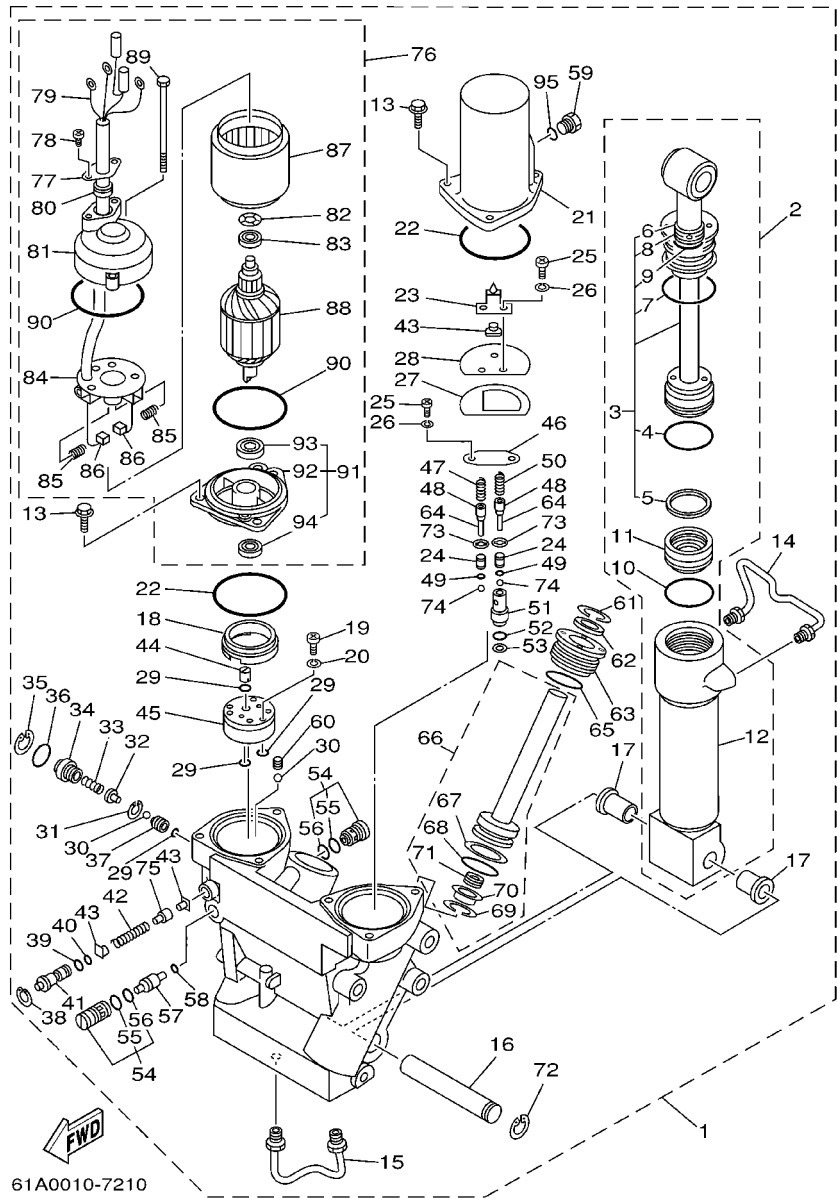
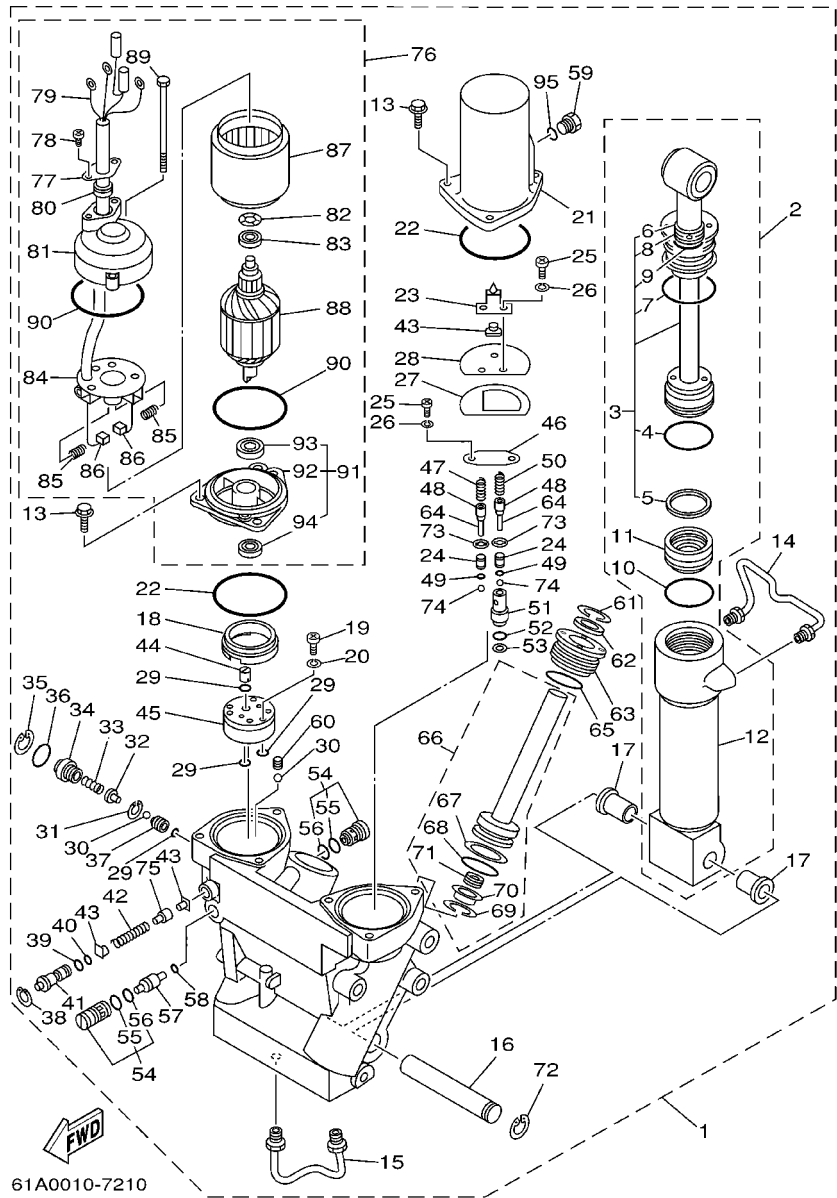


FIG. 23 POWER TRIM & TILT ASSY COMPONER Y PODER VARILLA

REF. NO.	PART NO. CODIGO NO.	DESCRIPTION DESCRIPTION	ETO	ET	LETO	LET	REMARKS OBSERVACION
55	6H1-43866-00	..O-RING ..ANILLO EN O 6	1	1	1	1	
56	6H1-43867-00	..O-RING ..ANILLO EN O 7	1	1	1	1	
57	6T4-43841-00	..PISTON, SHUTTLE ..PISTON	1	1	1	1	
58	93210-09165	..O-RING ..ANILLO O	1	1	1	1	
59	6H1-43829-00	..PLUG, RESERVOIR ..TAPON DEPOSITO	1	1	1	1	
60	61A-43878-00	..BOLT, SOCKET ..TORNILLO ENCASTRE	1	1	1	1	
61	6T4-43875-00	..RING, SNAP ..ANILLO	2	2	2	2	
62	61A-43822-00	..SEAL, TRIM DUST ..SELLO DE POLVO	2	2	2	2	
63	61A-43821-00	..SCREW, TRIM CYLINDER END ..TORNILLO CILINDURO EXTREMO	2	2	2	2	
64	91609-10014	..PIN, SPRING ..PASADOR DE RESORTE	2	2	2	2	
65	61A-43861-00	..O-RING ..ANILLO EN O 1	2	2	2	2	
66	61A-43820-10	..TRIM PISTON SUB ASSY ..ELEVADOR PISTON COMPL.	2	2	2	2	
67	61A-43874-00	..RING, BACK UP ..ANILLO	1	1	1	1	
68	61A-43864-00	..O-RING ..ANILLO EN O 4	1	1	1	1	
69	61A-43875-10	..RING, SNAP ..ANILLO	1	1	1	1	
70	61A-4383H-11	..HOSE, OIL 5 ..TUBO 5	1	1	1	1	
71	61A-4384H-10	..SPRING ..RESORTE	1	1	1	1	
72	61A-43876-00	..RING, SNAP ..ANILLO	1	1	1	1	
73	6T4-43893-00	..WASHER ..RONDANA	2	2	2	2	
74	93501-08001	..BALL ..BOLA	2	2	2	2	
75	61A-4382A-00	..ADAPTOR 1 ..ADAPTADOR 1	1	1	1	1	
76	61A-43880-02	..MOTOR ASSY ..MOTOR COMPL.	1	1	1	1	
77	6T4-4386J-00	..WASHER, SPECIAL ..ARANDELA, ESPECIAL	1	1	1	1	
78	90157-05107	..SCREW, PAN HEAD ..TORNILLO CABEZA CONICA PLAN	2	2	2	2	
79	61A-43807-00	..WIRE SUB ASSY ..CABLE COMPL.	1	1	1	1	
80	6T4-43885-00	..GRÖMMET ..ARANDELA DE REFUERZO	1	1	1	1	
81	61A-43884-01	..FRAME, COMMUTATOR END ..CUADRO	1	1	1	1	



61A0010-7210

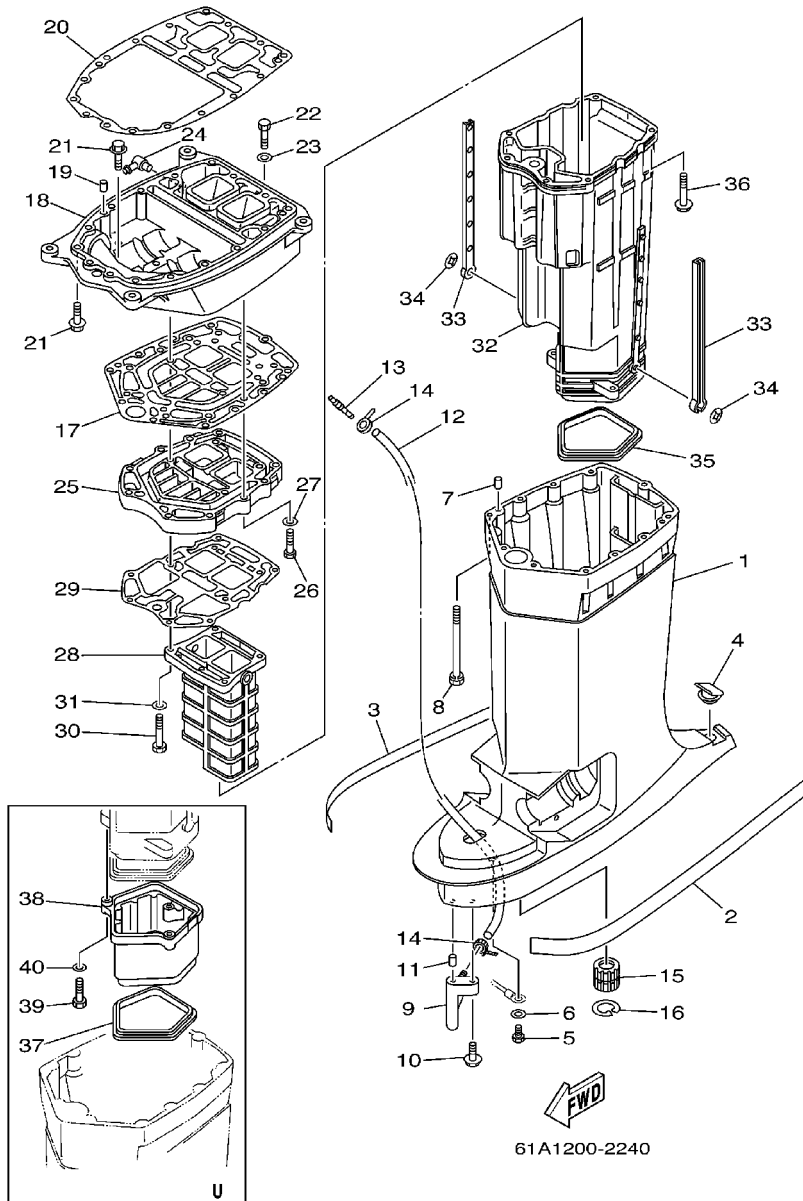
FIG. 23 POWER TRIM & TILT ASSY COMPONER Y PODER VARILLA

REF. NO.	PART NO. CODIGO NO.	DESCRIPTION DESCRIPTION	ETO	ET	LETO	LET	REMARKS OBSERVACION
82	90206-14086	..WASHER, WAVE ..ARANDELA ONDULADA	3	3	3	3	
83	93300-60820	..BEARING ..COJINETE	1	1	1	1	
84	61A-43806-00	..BRUSH HOLDER ASSY ..ESCOBILLA SOSTEN COMPL.	1	1	1	1	
85	61A-4386K-00	..SPRING, BRUSH ..RESORTE, ESCOBILLA	4	4	4	4	
86	61A-43891-00	..BRUSH 1 ..ESCOBILLA 1	2	2	2	2	
87	61A-43804-01	..STATOR ASSY ..ESTATOR COMPL	1	1	1	1	
88	61A-43805-01	..ARMATURE ASSY ..INDUCIDO COMPL.	1	1	1	1	
89	61A-43887-00	..BOLT, THROUGH ..TORNILLO	2	2	2	2	
90	93210-72789	..O-RING ..ANILLO O	2	2	2	2	
91	61A-43881-01	..FRAME, END ..CUADRO EXTERMO	1	1	1	1	
92	61A-43881-11	...FRAME, END ...CUADRO EXTERMO	1	1	1	1	
93	93300-60820	...BEARING ...COJINETE	1	1	1	1	
94	93102-08414	...OIL SEAL ...SELLO ACEITE	1	1	1	1	
95	93210-09165	..O-RING ..ANILLO O	1	1	1	1	



FIG. 24 UPPER CASING

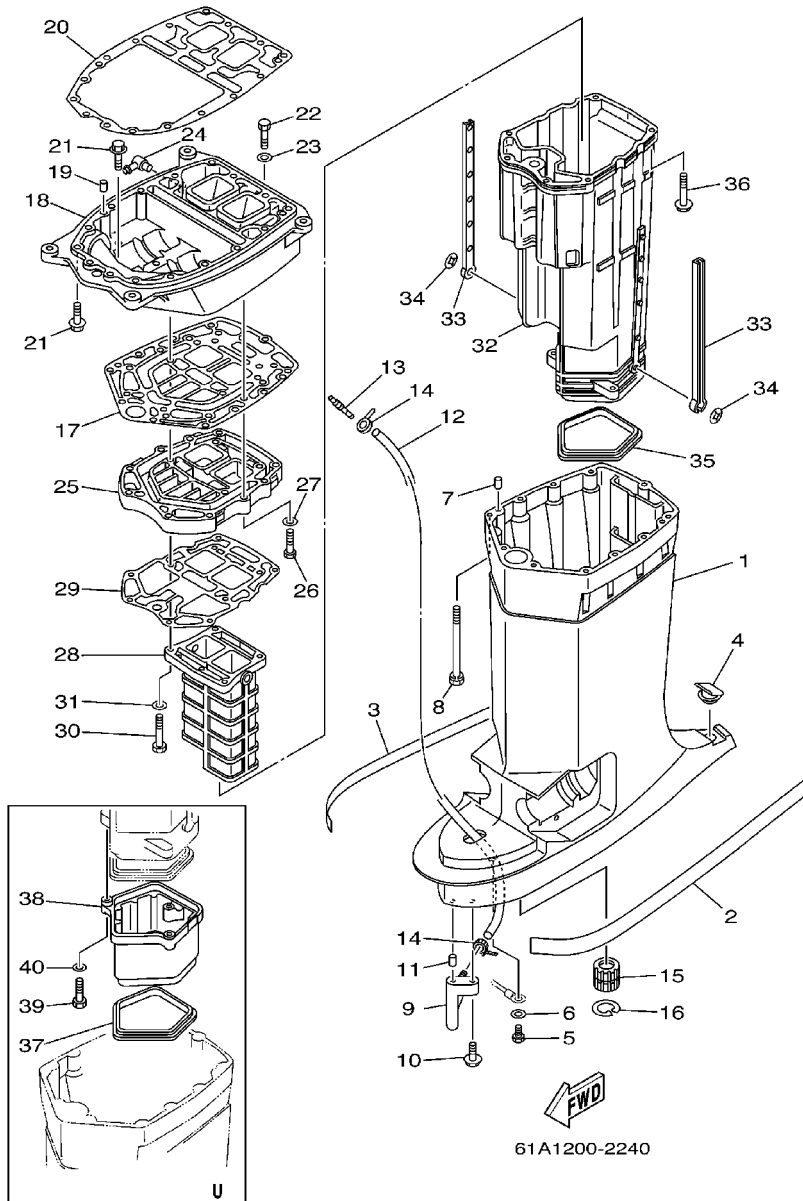
FUNDA SUPERIOR



REF. NO.	PART NO. CODIGO NO.	DESCRIPTION DESCRIPTION	ETO	ET	LETO	LET	REMARKS OBSERVACION
1	61A-45111-21-8D	CASING, UPPER CAJA SUPERIOR	1	1	1	1	X
	61A-45111-31-8D	CASING, UPPER CAJA SUPERIOR	1	1	1	1	U
2	61A-42791-S0	MARK 1 MARCA 1	1	1	1	1	
3	61A-42792-S0	MARK MARCA	1	1	1	1	
4	61A-45155-00	CAP TAPA	1	1	1	1	
5	97095-06010	BOLT PERNO	1	1	1	1	
6	92995-06600	WASHER ARANDELA	1	1	1	1	
7	93608-12M05	PIN, DOWEL PASADOR DE CLAVIJA	2	2	2	2	
8	90119-08M78	BOLT, WITH WASHER TORNILLO CON ARANDELA	8	8	8	8	
9	61A-45378-00	NIPPLE, HOSE NIPLE MANGUERA	1	1	1	1	
10	90119-06M17	BOLT, WITH WASHER TORNILLO CON ARANDELA	1	1	1	1	
11	93606-12019	PIN, DOWEL PASADOR DE CLAVIJA	1	1	1	1	
12	90445-07MF0	HOSE (L1030) TUBO (L1030)	1	1	1	1	X
	90445-07M21	HOSE (L1160) TUBO (L1160)	1	1	1	1	U
13	6E5-83558-00	END, NIPPLE EXTREMO DE NIPLE	1	1	1	1	
14	90465-11M10	CLAMP BRIDA	2	2	2	2	
15	6E5-45318-00	BUSHING, DRIVE SHAFT BUJE, EJE DE MANDO	1	1	1	1	
16	93420-36M01	CIRCLIP BOLA	1	1	1	1	
17	61A-45114-A0	GASKET, UPPER CASING EMPAQUE	1	1	1	1	
18	61A-41137-03-94	GUIDE, EXHAUST GUIA DE ESCAPE	1	1	1	1	
	61A-41137-12-94	GUIDE, EXHAUST GUIA DE ESCAPE	1		1		FOR FLUSHING KIT
19	93608-12M05	PIN, DOWEL PASADOR DE CLAVIJA	2	2	2	2	
20	61A-45113-A0	GASKET, UPPER CASING EMPAQUE	1	1	1	1	
21	90119-08M79	BOLT, WITH WASHER TORNILLO CON ARANDELA	8	8	8	8	
22	97095-08035	BOLT PERNO	1	1	1	1	
23	92995-08600	WASHER ARANDELA	1	1	1	1	
24	6H1-11372-00	NIPPLE, HOSE NIPLE DE MANGUERA	1		1		FOR FLUSHING KIT

FIG. 24 UPPER CASING

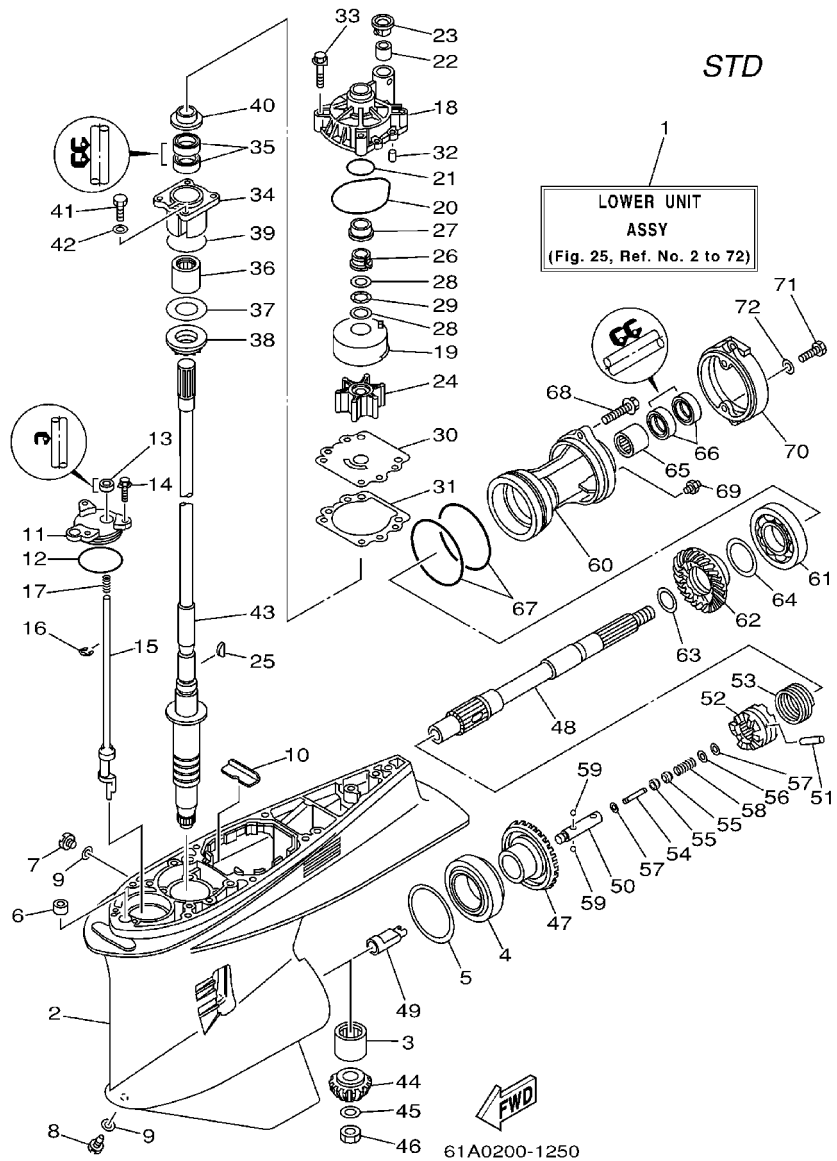
FUNDA SUPERIOR



REF. NO.	PART NO. CODIGO NO.	DESCRIPTION DESCRIPTION	ETO	ET	LETO	LET	REMARKS OBSERVACION
25	61A-41131-00-5B	MANIFOLD, EXT. 1 TUBO MULTIPLE DE ESCAPE	1	1	1	1	
26	97095-08035	BOLT PERNO	4	4	4	4	
27	92995-08600	WASHER ARANDELA	4	4	4	4	
28	61A-41132-01-5B	MANIFOLD, EXHAUST TUBO MULTIPLE DE ESCAPE	1	1	1	1	
29	61A-41134-A0	GASKET, EXHAUST MANIFOLD EMPAQUE	1	1	1	1	
30	97095-08050	BOLT PERNO	4	4	4	4	
31	92995-08600	WASHER ARANDELA	4	4	4	4	
32	61A-14711-22-5B	MUFFLER 1 SILENCIADOR 1	1	1	1	1	
33	6E5-14737-00	DAMPER, MUFFLER AMORTIGUADOR DE SILENCIADOR	2	2	2	2	
34	90183-05M02	NUT, SPRING TUERCA DE RESORTE	2	2	2	2	
35	61A-45123-01	GASKET, MUFFLER EMPAQUE SILENCIADOR	1	1	1	1	
36	90119-08M74	BOLT, WITH WASHER TORNILLO CON ARANDELA	6	6	6	6	
37	61A-45123-01	GASKET, MUFFLER EMPAQUE SILENCIADOR	1	1	1	1	U
38	61A-14721-30-5B	MUFFLER 2 SILENCIADOR 2	1	1	1	1	U
39	97095-06035	BOLT PERNO	3	3	3	3	U
40	92995-06600	WASHER ARANDELA	3	3	3	3	U

FIG. 25 LOWER CASING. DRIVE 1

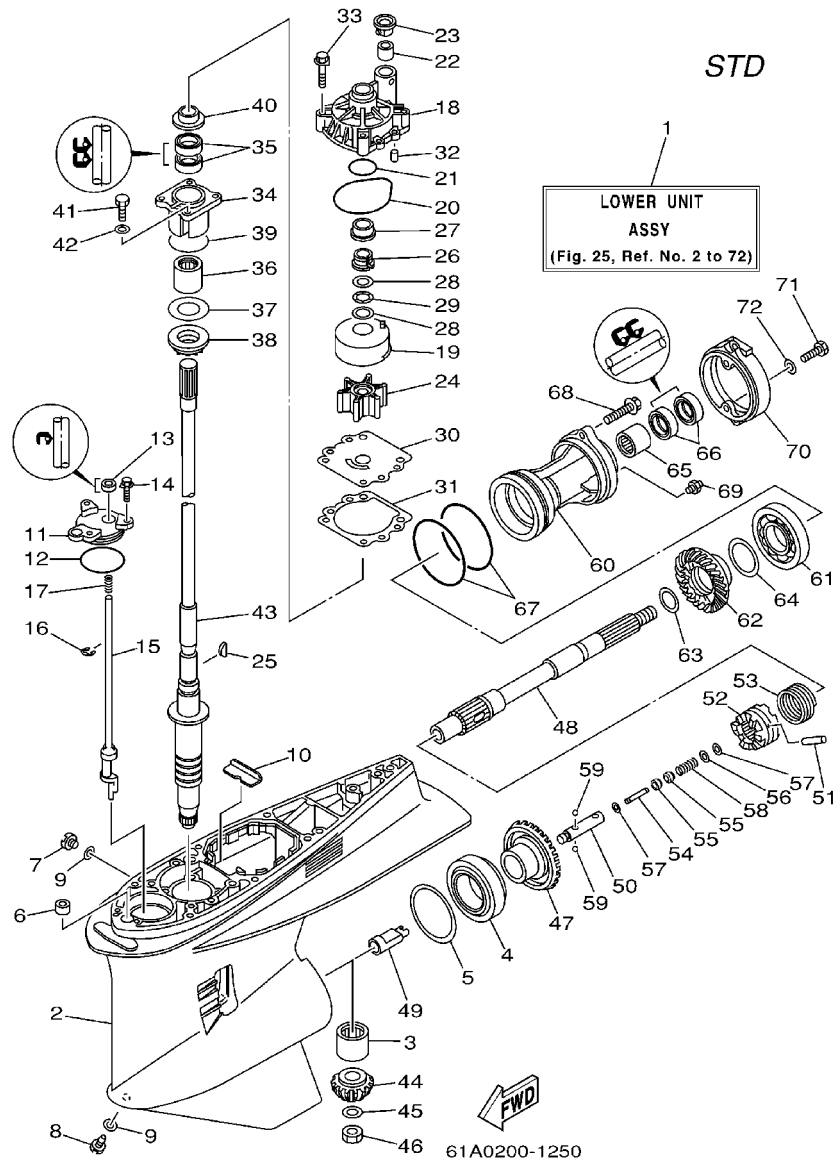
IMPULSOR E INFERIOR 1



REF. NO.	PART NO. CODIGO NO.	DESCRIPTION DESCRIPTION	ETO	ET	LETO	LET	REMARKS OBSERVACION
1	61A-45300-23-8D	LOWER UNIT ASSY CONJUNTO UNIDAD INFERIOR	1	1			X
	61A-45300-32-8D	LOWER UNIT ASSY CONJUNTO UNIDAD INFERIOR	1	1			U
2	61A-45301-03-8D	CASING, LOWER FUNDA INFERIOR COMPLETA	1	1			
3	93311-832V2	BEARING COJINETE	1	1			
4	93332-000W1	BEARING COJINETE	1	1			
5	61A-45567-00-10	SHIM (T:0.10MM) LAINA (T:0.10MM)	1	1			UR
	61A-45567-00-12	SHIM (T:0.12MM) LAINA (T:0.12MM)	1	1			UR
	61A-45567-00-15	SHIM (T:0.15MM) LAINA (T:0.15MM)	1	1			UR
	61A-45567-00-18	SHIM (T:0.18MM) LAINA (T:0.18MM)	1	1			UR
	61A-45567-00-30	SHIM (T:0.30MM) LAINA (T:0.30MM)	1	1			UR
	61A-45567-00-40	SHIM (T:0.40MM) LAINA (T:0.40MM)	1	1			UR
	61A-45567-00-50	SHIM (T:0.50MM) LAINA (T:0.50MM)	1	1			UR
6	663-44366-00	DAMPER, WATER SEAL GOMA DEL SELLO DE AGUA	1	1			
7	90340-08002	PLUG, STRAIGHT SCREW TORNILLO, DE DRENAJE	1	1			
8	688-45341-10	PLUG, DRAIN TAPON, DREN	1	1			
9	90430-08020	GASKET JUNTA	2	2			
10	61A-45376-00-94	GUIDE, SEAL DAMPER GUIA DE SELLO GOMA	1	1			
11	61A-45321-01	PLATE PLACA	1	1			
12	93210-64488	O-RING ANILLO O	1	1			
13	93106-09014	OIL SEAL SELLO ACEITE	1	1			
14	90119-06M10	BOLT, WITH WASHER TORNILLO CON ARANDELA	3	3			
15	61A-44150-01	SHIFT CAM ASSY CONJUNTO EJE LEVA COMPL.	1	1			
16	99001-08600	CIRCLIP PRESILLA REDONDA	1	1			
17	90501-11M10	SPRING, COMPRESSION RESORTE DE COMPRESION	1	1			
18	61A-44311-01	HOUSING, WATER PUMP CAJA BOMBA DE AGUA	1	1			
19	61A-44322-02	INSERT, CARTRIDGE CARTUCHO	1				FÖR STD
	6R3-44322-42	INSERT, CARTRIDGE CARTUCHO		1			FOR CHROMATE

FIG. 25 LOWER CASING. DRIVE 1

IMPULSOR E INFERIOR 1



REF. NO.	PART NO. CODIGO NO.	DESCRIPTION DESCRIPTION	ETO	ET	LETO	LET	REMARKS OBSERVACION
20	93210-86M38	O-RING ANILLO O	1	1			
21	93210-37160	O-RING ANILLO O	1	1			
22	6E5-44365-00	DAMPER, WATER SEAL HULE DE SELLO DE AGUA	1	1			
23	6E5-44312-00	COVER, WATER PUMP HOUSING CUBIERTA CAJA BOMBA DE AGUA	1	1			
24	6E5-44352-01	IMPELLER IMPULSOR	1	1			
25	90280-04M05	KEY, WOODRUFF CUNA WOODRUFF	1	1			
26	61A-45538-00	SPACER 1 ESPACIADOR 1	1				
27	61A-45527-00	COLLAR, DRIVE SHAFT COLLAR EJE FLECHA DE PROPULSION	1				
28	90201-22M01	WASHER, PLATE ARANDELA PLANA	2				
29	90206-22M19	WASHER, WAVE ARANDELA ONDULADA	1				
30	6G5-44323-00	OUTER PLATE, CARTRIDGE PLACA EXTERIOR DEL CARTUCHO	1				FOR STD
	6G5-44323-40	OUTER PLATE, CARTRIDGE PLACA EXTERIOR DEL CARTUCHO		1			FOR CHROMATE
31	6E5-44315-A0	GASKET, WATER PUMP EMPAQUE	1	1			
32	93606-12019	PIN, DOWEL PASADOR DE CLAVIJA	2	2			
33	90119-08M14	BOLT, WITH WASHER TORNILLO CON ARANDELA	4	4			
34	61A-45331-00-94	HOUSING, BEARING CAJA DE COJINETE	1	1			
35	93101-28M16	OIL SEAL SELLO ACEITE	2	2			
36	93317-330U2	BEARING COJINETE	1	1			
37	61A-45587-00-10	SHIM (T:0.10MM) LAINA (T:0.10MM)	1	1			UR
	61A-45587-00-12	SHIM (T:0.12MM) LAINA (T:0.12MM)	1	1			UR
	61A-45587-00-15	SHIM (T:0.15MM) LAINA (T:0.15MM)	1	1			UR
	61A-45587-00-18	SHIM (T:0.18MM) LAINA (T:0.18MM)	1	1			UR
	61A-45587-00-30	SHIM (T:0.30MM) LAINA (T:0.30MM)	1	1			UR
	61A-45587-00-40	SHIM (T:0.40MM) LAINA (T:0.40MM)	1	1			UR
	61A-45587-00-50	SHIM (T:0.50MM) LAINA (T:0.50MM)	1	1			UR
38	93341-930U9	BEARING COJINETE	1	1			
39	93210-55M14	O-RING ANILLO O	1	1			

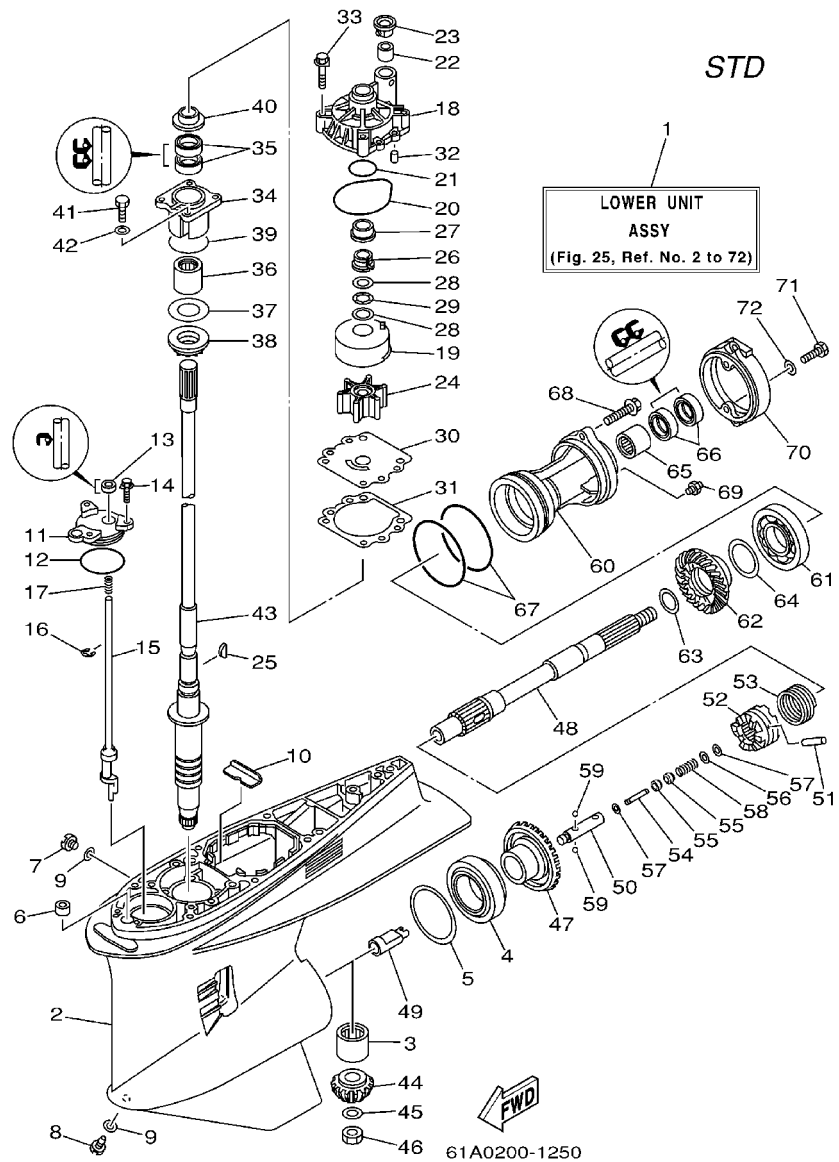
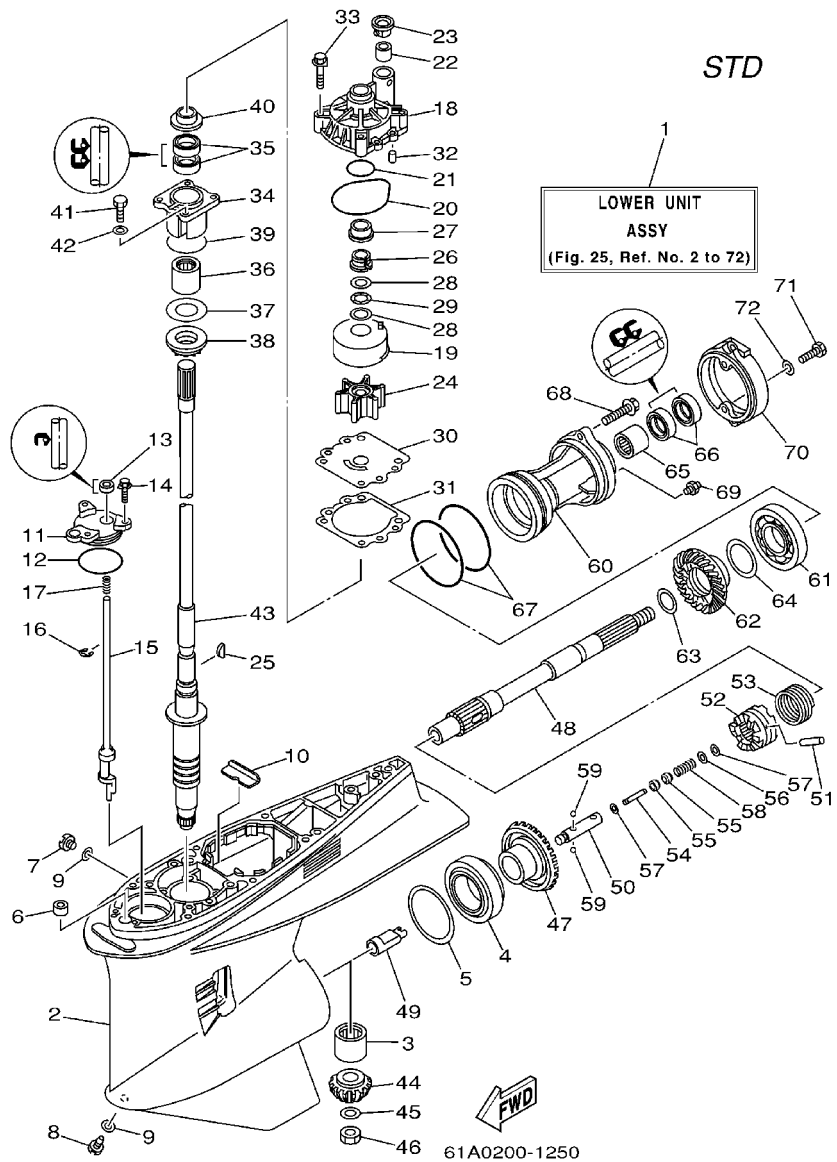


FIG. 25 LOWER CASING. DRIVE 1 IMPULSOR E INFERIOR 1

REF. NO.	PART NO. CODIGO NO.	DESCRIPTION DESCRIPTION	ETO	ET	LETO	LET	REMARKS OBSERVACION
40	6E5-45344-00	COVER, OIL SEAL CUBIERTA SELLO ACEITE	1	1			
41	97095-08025	BOLT PERNO	4	4			
42	92995-08600	WASHER ARANDELA	4	4			
43	61A-45501-20	DRIVE SHAFT COMP. EJE DE MANDO COMPL.	1	1			X
	61A-45501-30	DRIVE SHAFT COMP. EJE DE MANDO COMPL.	1	1			U
44	61A-45551-03	PINION PINON	1	1			
45	90201-16M00	WASHER, PLATE ARANDELA PLANA	1	1			
46	90170-16M19	NUT TUERCA	1	1			
47	61A-45560-03	GEAR ENGRANE COMPLE 1	1	1			
48	61A-45611-02	SHAFT, PROPELLER EJE PROPUSOR	1	1			
49	61A-45641-01	SHIFTER CAMBIO	1	1			
50	61A-45634-01	SLIDE, SHIFT DESlizADOR, CAMBIO	1	1			
51	61A-45632-00	PIN, CROSS PASADOR TRANSVERSAL	1	1			
52	61A-45631-03	CLUTCH, DOG EMBRAGUE DE GARRA	1	1			
53	61A-45633-00	RING, CROSS PIN ANILLO DE PASADOR	1	1			
54	6H1-45668-00	SHAFT, FREE EJE	1	1			
55	61A-45635-00	PLUNGER, SHIFT EMBOLO DE CAMBIO	2	2			
56	90201-02M00	WASHER, PLATE ARANDELA PLANA	1	1			
57	90183-02M03	NUT, SPRING TUERCA DE RESORTE	2	2			
58	90501-10M77	SPRING, COMPRESSION RESORTE DE COMPRESION	1	1			
59	93501-04011	BALL BOLA	2	2			
60	61A-45332-02-94	HOUSING, BEARING CAJA BALERO 2	1	1			
61	93306-210U0	BEARING COJINETE	1	1			
62	61A-45571-00	GEAR ENGRANAJE	1	1			
63	90201-31M00	WASHER, PLATE ARANDELA PLANA	1	1			
64	61A-45577-00-10	SHIM (T:0.10MM) LAINA (T:0.10MM)	1	1			UR
	61A-45577-00-12	SHIM (T:0.12MM) LAINA (:0.12MM)	1	1			UR



**FIG. 25 LOWER CASING. DRIVE 1**

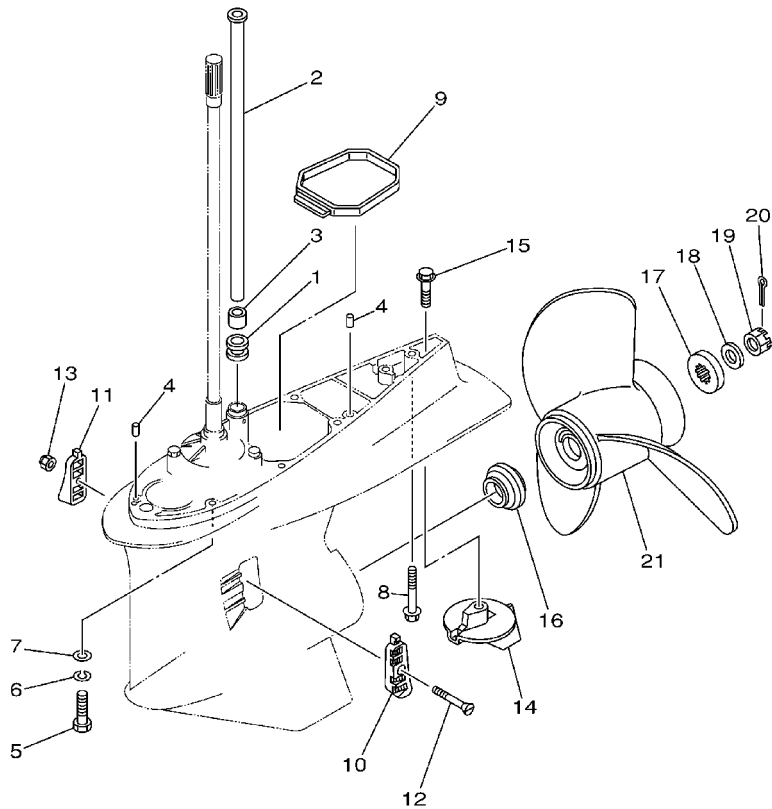
**IMPULSOR E INFERIOR 1**

REF. NO.	PART NO. CODIGO NO.	DESCRIPTION DESCRIPTION	ETO	ET	LETO	LET	REMARKS OBSERVACION
64	61A-45577-00-15	SHIM (T:0.15MM) LAINA (T:0.15MM)	1	1			UR
	61A-45577-00-18	SHIM (T:0.18MM) LAINA (T:0.18MM)	1	1			UR
	61A-45577-00-30	SHIM (T:0.30MM) LAINA (T:0.30MM)	1	1			UR
	61A-45577-00-40	SHIM (T:0.40MM) LAINA (T:0.40MM)	1	1			UR
	61A-45577-00-50	SHIM (T:0.50MM) LAINA (T:0.50MM)	1	1			UR
<hr/>							
65	93317-330U5	BEARING COJINETE	1	1			
66	93101-30M17	OIL SEAL SELLO ACEITE	2	2			
67	93211-04384	O-RING ANILLO O	2	2			
68	90105-08M48	BOLT, FLANGE TORNILLO	2	2			
69	93700-09M00	NIPPLE, GREASE NIPLE DE ENGRASAR	1	1			
<hr/>							
70	61A-45361-01-5B	CAP, LOWER CASING FUNDA INFERIOR	1	1			
71	97095-08020	BOLT PERNO	2	2			
72	92995-08600	WASHER ARANDELA	2	2			
<hr/>							
<hr/>							
<hr/>							
<hr/>							
<hr/>							

FIG. 26 LOWER CASING. DRIVE 2

IMPULSOR E INFERIOR 2

STD



65J0100-1250

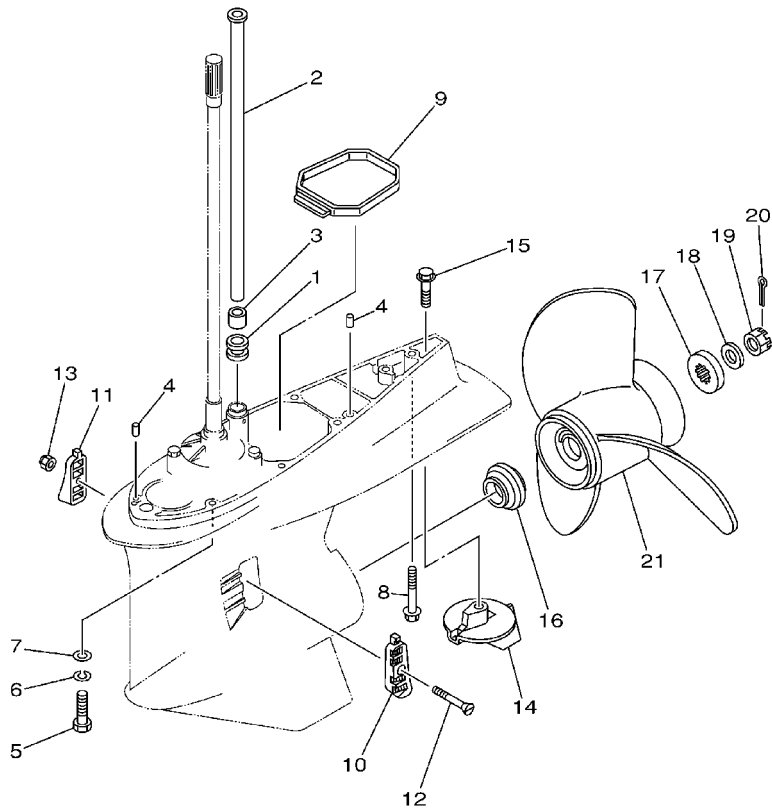
REF. NO.	PART NO. CODIGO NO.	DESCRIPTION DESCRIPTION	ETO	ET	LETO	LET	REMARKS OBSERVACION
1	6E5-44366-00	DAMPER, WATER SEAL GOMA DEL SELLO DE AGUA	1	1			
2	61A-44361-20	TUBE, WATER TUBO DE AGUA	1	1			X
	61A-44361-30	TUBE, WATER TUBO DE AGUA	1	1			U
3	6E5-44365-00	DAMPER, WATER SEAL HULE DE SELLO DE AGUA	1	1			
4	93608-12M05	PIN, DOWEL PASADOR DE CLAVIJA	2	2			
5	97095-10045	BOLT PERNO	7	7			
6	92995-10100	WASHER ARANDELA	7	7			
7	92995-10600	WASHER ARANDELA	7	7			
8	90119-10MA2	BOLT, WITH WASHER TORNILLO CON ARANDELA	1	1			
9	61A-45375-00	DAMPER, SEAL GOMA DE SELLO	1	1			
10	61A-45214-00	COVER, WATER INLET CUBIERTA ENTRADA AGUA	1	1			
11	61A-45215-00	COVER, WATER INLET CUBIERTA ENTRADA AGUA	1	1			
12	90152-05M08	SCREW, COUNTERSUNK TORNILLO EMBUTIDO	1	1			
13	90185-05002	NUT, SELF-LOCKING TUERCA AUTOBLOCANTE	1	1			
14	61A-45371-00	TAB-TRIM QUILLA ESTABILIZADOR	1	1			
15	90105-10M00	BOLT, FLANGE TORNILLO	1	1			
16	6E5-45987-01	SPACER ESPACIADOR	1	1			
17	688-45997-01	SPACER ESPACIADOR	1	1			
18	92990-18200	WASHER ARANDELA	1	1			
19	90171-18M04	NUT, CASTLE TUERCA ENTALLADA	1	1			
20	91490-40030	PIN, COTTER PASADOR DE CHAVETA	1	1			
21	6G5-45970-02-98	PROPELLER (3X15-1/4"X15"-M) PROPELA (3X15-1/4"X15"-M)	1	1			UR
	6G5-45972-02-98	PROPELLER (3X13-3/4"X21"-M) PROPELA (3X13-3/4"X21"-M)	1	1			UR
	6G5-45974-03-98	PROPELLER (3X13-3/4"X19"-M2) PROPELA (3X13-3/4"X19"-M2)	1	1			UR
	6G5-45978-03-98	PROPELLER (3X13-3/4"X17"-M2) PROPELA (3X13-3/4"X17"-M2)	1	1			UR
	61A-45972-00-98	PROPELLER (3X14-1/2"X21"-T) PROPELA (3X14-1/2"X21"-T)	1	1			UR
	61A-45974-00-98	PROPELLER (3X14-1/2"X19"-T) PROPELA (3X14-1/2"X19"-T)	1	1			UR

C2

FIG. 26 LOWER CASING. DRIVE 2

IMPULSOR E INFERIOR 2

STD



65J0100-1250

REF. NO.	PART NO. CODIGO NO.	DESCRIPTION DESCRIPTION	ETO	ET	LETO	LET	REMARKS OBSERVACION
21	61A-45978-00-98	PROPELLER (3X15"X17"-T) PROPELA (3X15"X17"-T)	1	1			UR
	6R4-45970-A0	PROPELLER (3X15-1/4"X19"-M) PROPELA (3X15-1/4"X19"-M)	1	1			UR
	6R4-45972-A0	PROPELLER (3X14-7/8"X21"-M) PROPELA (3X14-7/8"X21"-M)	1	1			UR
	6R4-45974-A0	PROPELLER (3X14-1/2"X23"-M) PROPELA (3X14-1/2"X23"-M)	1	1			UR
	6R4-45976-A0	PROPELLER (3X14-1/2"X15"-M) PROPELA (3X14-1/2"X15"-M)	1	1			UR
	6R4-45978-A0	PROPELLER (3X15-1/4"X17"-M) PROPELA (3X15-1/4"X17"-M)	1	1			UR



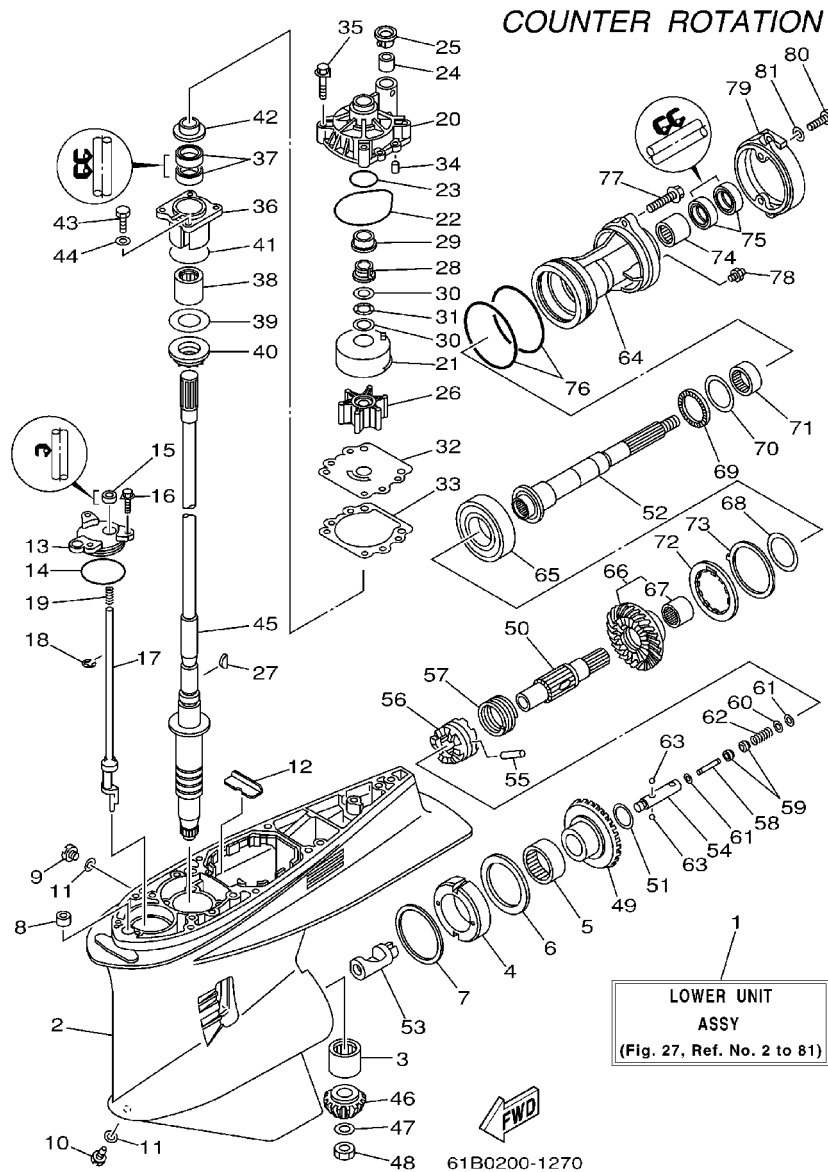
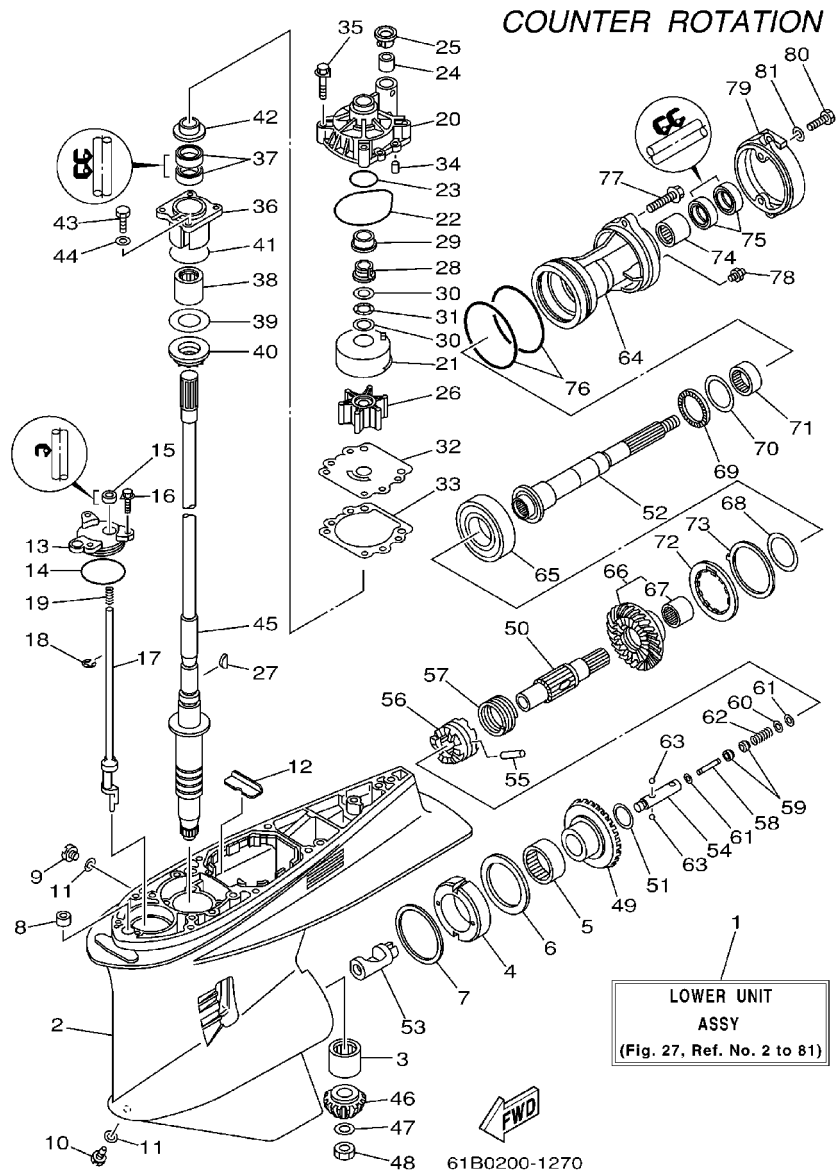


FIG. 27 LOWER CASING. DRIVE 3 IMPULSOR E INFERIOR 3

REF. NO.	PART NO. CODIGO NO.	DESCRIPTION DESCRIPTION	ETO	ET	LETO	LET	REMARKS OBSERVACION
1	61B-45300-23-8D	LOWER UNIT ASSY CONJUNTO UNIDAD INFERIOR			1	1	X
	61B-45300-32-8D	LOWER UNIT ASSY CONJUNTO UNIDAD INFERIOR			1	1	U
2	61A-45301-03-8D	CASING, LOWER FUNDA INFERIOR COMPLETA			1	1	
3	93311-832V2	BEARING COJINETE			1	1	
4	61B-45538-01	SPACER 1 ESPACIADOR 1			1	1	
5	93315-660W3	BEARING COJINETE			1	1	
6	93341-670V0	BEARING COJINETE			1	1	
7	61A-45567-00-10	SHIM (T:0.10MM) LAINA(T:0.10MM)			1	1	UR
	61A-45567-00-12	SHIM (T:0.12MM) LAINA (T:0.12MM)			1	1	UR
	61A-45567-00-15	SHIM (T:0.15MM) LAINA (T:0.15MM)			1	1	UR
	61A-45567-00-18	SHIM (T:0.18MM) LAINA (T:0.18MM)			1	1	UR
	61A-45567-00-30	SHIM (T:0.30MM) LAINA (T:0.30MM)			1	1	UR
	61A-45567-00-40	SHIM (T:0.40MM) LAINA (T:0.40MM)			1	1	UR
	61A-45567-00-50	SHIM (T:0.50MM) LAINA (T:0.50MM)			1	1	UR
8	663-44366-00	DAMPER, WATER SEAL GOMA DEL SELLO DE AGUA			1	1	
9	90340-08002	PLUG, STRAIGHT SCREW TORNILLO, DE DRENAJE			1	1	
10	688-45341-10	PLUG, DRAIN TAPON, DREN			1	1	
11	90430-08020	GASKET JUNTA			2	2	
12	61A-45376-00-94	GUIDE, SEAL DAMPER GUIA DE SELLO GOMA			1	1	
13	61A-45321-01	PLATE PLACA			1	1	
14	93210-64488	O-RING ANILLO O			1	1	
15	93106-09014	OIL SEAL SELLO ACEITE			1	1	
16	90119-06M10	BOLT, WITH WASHER TORNILLO CON ARANDELA			3	3	
17	61B-44150-00	SHIFT CAM ASSY CONJUNTO EJE LEVA COMPL.			1	1	
18	99001-08600	CIRCLIP PRESILLA REDONDA			1	1	
19	90501-11M10	SPRING, COMPRESSION RESORTE DE COMPRESION			1	1	
20	61A-44311-01	HOUSING, WATER PUMP CAJA BOMBA DE AGUA			1	1	



**FIG. 27 LOWER CASING. DRIVE 3 IMPULSOR E INFERIOR 3**

REF. NO.	PART NO. CODIGO NO.	DESCRIPTION DESCRIPTION	ETO	ET	LETO	LET	REMARKS OBSERVACION
21	61A-44322-02	INSERT, CARTRIDGE CARTUCHO			1		FOR STD
	6R3-44322-42	INSERT, CARTRIDGE CARTUCHO				1	FOR CHROMATE
22	93210-86M38	O-RING ANILLO O			1	1	
23	93210-37160	O-RING ANILLO O			1	1	
24	6E5-44365-00	DAMPER, WATER SEAL HULE DE SELLO DE AGUA			1	1	
25	6E5-44312-00	COVER, WATER PUMP HOUSING CUBIERTA CAJA BOMBA DE AGUA			1	1	
26	6E5-44352-01	IMPELLER IMPULSOR			1	1	
27	90280-04M05	KEY, WOODRUFF CUNA WOODRUFF			1	1	
28	61A-45538-00	SPACER 1 ESPACIADOR 1			1		
29	61A-45527-00	COLLAR, DRIVE SHAFT COLLAR EJE FLECHA DE PROPULSION			1		
30	90201-22M01	WASHER, PLATE ARANDELA PLANA			2		
31	90206-22M19	WASHER, WAVE ARANDELA ONDULADA			1		
32	6G5-44323-00	OUTER PLATE, CARTRIDGE PLACA EXTERIOR DEL CARTUCHO			1		FOR STD
	6G5-44323-40	OUTER PLATE, CARTRIDGE PLACA EXTERIOR DEL CARTUCHO				1	FOR CHROMATE
33	6E5-44315-A0	GASKET, WATER PUMP EMPAQUE			1	1	
34	93606-12019	PIN, DOWEL PASADOR DE CLAVIJA			2	2	
35	90119-08M14	BOLT, WITH WASHER TORNILLO CON ARANDELA			4	4	
36	61A-45331-00-94	HOUSING, BEARING CAJA DE COJINETE			1	1	
37	93101-28M16	OIL SEAL SELLO ACEITE			2	2	
38	93317-330U2	BEARING COJINETE			1	1	
39	61A-45587-00-10	SHIM (T:0.10MM) LAINA (T:0.10MM)			1	1	UR
	61A-45587-00-12	SHIM (T:0.12MM) LAINA (T:0.12MM)			1	1	UR
	61A-45587-00-15	SHIM (T:0.15MM) LAINA (T:0.15MM)			1	1	UR
	61A-45587-00-18	SHIM (T:0.18MM) LAINA (T:0.18MM)			1	1	UR
	61A-45587-00-30	SHIM (T:0.30MM) LAINA (T:0.30MM)			1	1	UR
	61A-45587-00-40	SHIM (T:0.40MM) LAINA (T:0.40MM)			1	1	UR
	61A-45587-00-50	SHIM (T:0.50MM) LAINA (T:0.50MM)			1	1	UR

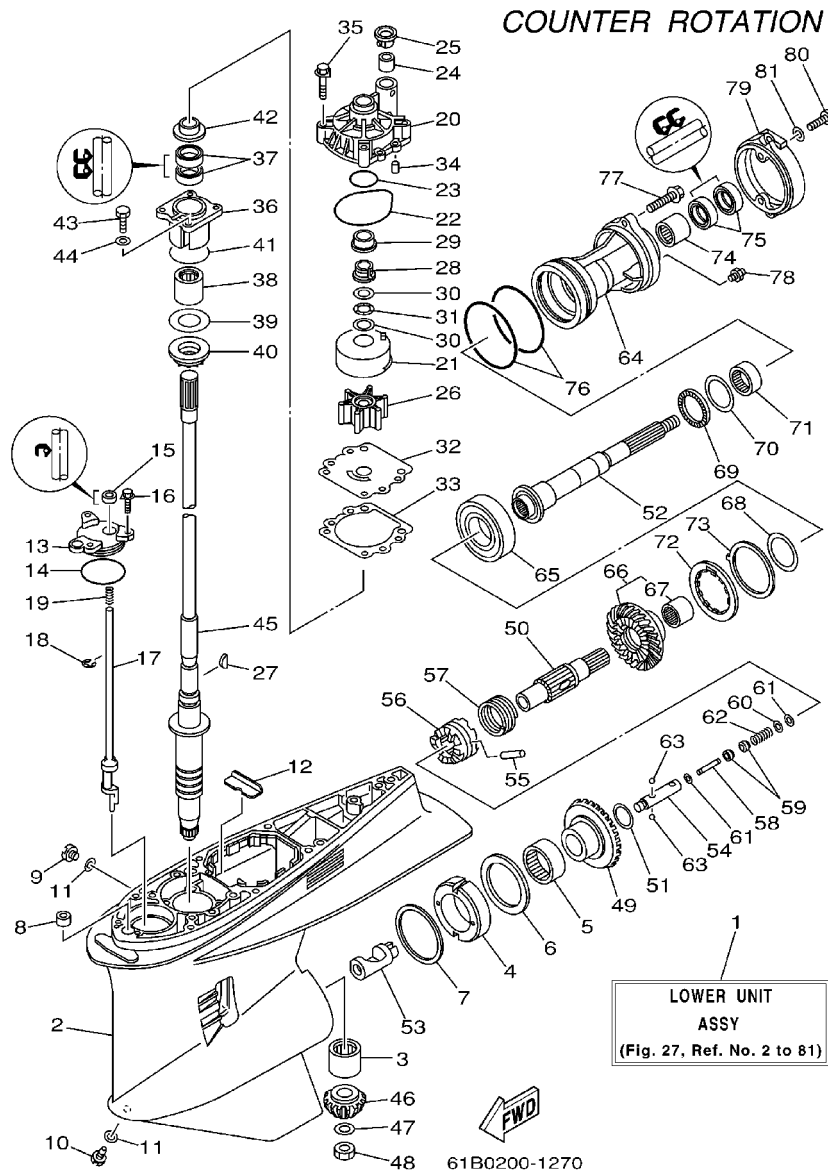
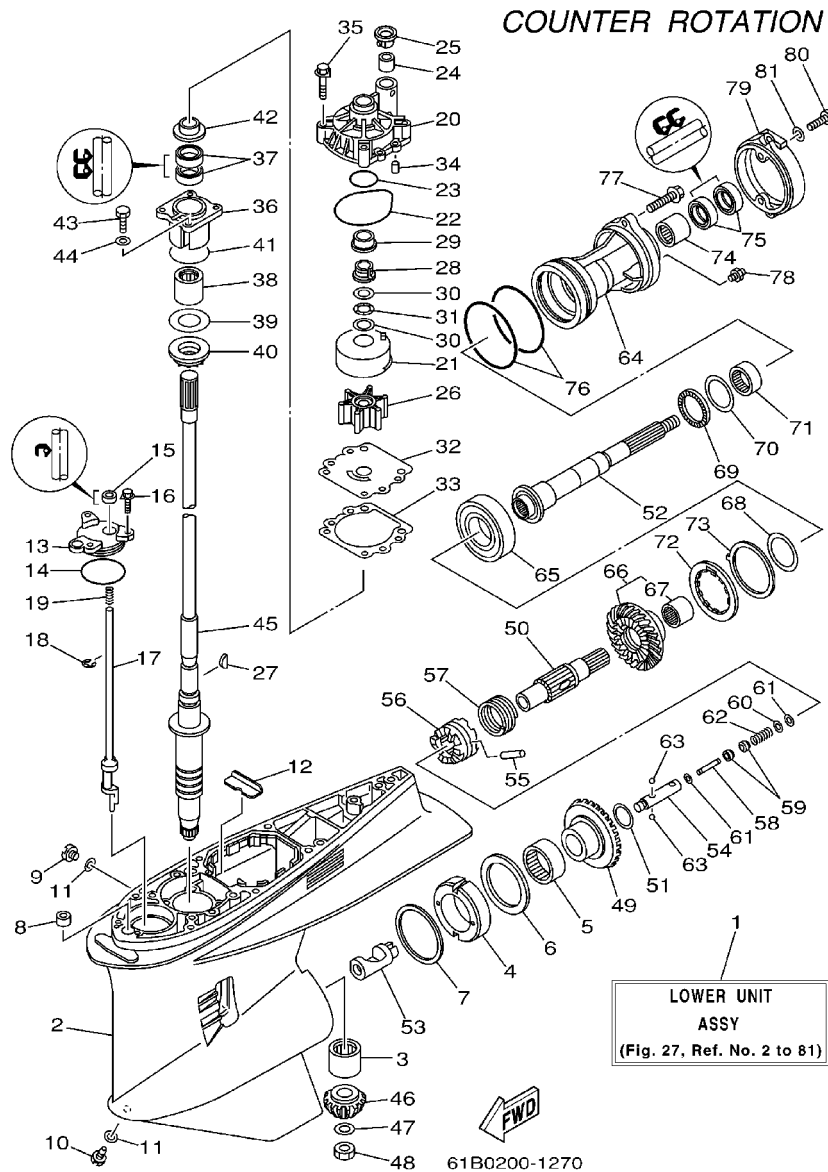


FIG. 27 LOWER CASING. DRIVE 3 IMPULSOR E INFERIOR 3

REF. NO.	PART NO. CODIGO NO.	DESCRIPTION DESCRIPTION	ETO	ET	LETO	LET	REMARKS OBSERVACION
40	93341-930U9	BEARING COJINETE			1	1	
41	93210-55M14	O-RING ANILLO O			1	1	
42	6E5-45344-00	COVER, OIL SEAL CUBIERTA SELLO ACEITE			1	1	
43	97095-08025	BOLT PERNO			4	4	
44	92995-08600	WASHER ARANDELA			4	4	
45	61A-45501-20	DRIVE SHAFT COMP. EJE DE MANDO COMPL.			1	1	X
	61A-45501-30	DRIVE SHAFT COMP. EJE DE MANDO COMPL.			1	1	U
46	61A-45551-03	PINION PINON			1	1	
47	90201-16M00	WASHER, PLATE ARANDELA PLANA			1	1	
48	90170-16M19	NUT TUERCA			1	1	
49	61B-45560-01	GEAR ENGRANE COMPLE 1			1	1	
50	61B-45611-01	SHAFT, PROPELLER EJE PROPUSOR			1	1	
51	90201-29M01	WASHER, PLATE ARANDELA PLANA			1	1	
52	61B-45611-20	SHAFT, PROPELLER EJE PROPUSOR			1	1	
53	61B-45641-00	SHIFTER CAMBIO			1	1	
54	61A-45634-01	SLIDE, SHIFT DESLIZADOR, CAMBIO			1	1	
55	61A-45632-00	PIN, CROSS PASADOR TRANSVERSAL			1	1	
56	61A-45631-03	CLUTCH, DOG EMBRAGUE DE GARRA			1	1	
57	61A-45633-00	RING, CROSS PIN ANILLO DE PASADOR			1	1	
58	6H1-45668-00	SHAFT, FREE EJE			1	1	
59	61A-45635-00	PLUNGER, SHIFT EMBOLO DE CAMBIO			2	2	
60	90201-02M00	WASHER, PLATE ARANDELA PLANA			1	1	
61	90183-02M03	NUT, SPRING TUERCA DE RESORTE			2	2	
62	90501-10M77	SPRING, COMPRESSION RESORTE DE COMPRESION			1	1	
63	93501-04011	BALL BOLA			2	2	
64	61B-45332-01-94	HOUSING, BEARING CAJA BALERO 2			1	1	
65	93332-000W2	BEARING COJINETE			1	1	



COUNTER ROTATION

LOWER UNIT  
ASSY  
(Fig. 27, Ref. No. 2 to 81)

61B0200-1270

FIG. 27 LOWER CASING. DRIVE 3 IMPULSOR E INFERIOR 3

REF. NO.	PART NO. CODIGO NO.	DESCRIPTION DESCRIPTION	ETO	ET	LETO	LET	REMARKS OBSERVACION
66	61B-45570-03	GEAR ENGRANE COMPL 2			1	1	
67	93315-430U8	BEARING .COJINETE			1	1	
68	61A-45577-00-10	SHIM (T:0.10MM) LAINA (T:0.10MM)			1	1	UR
	61A-45577-00-12	SHIM (T:0.12MM) LAINA (:0.12MM)			1	1	UR
	61A-45577-00-15	SHIM (T:0.15MM) LAINA (T:0.15MM)			1	1	UR
	61A-45577-00-18	SHIM (T:0.18MM) LAINA (T:0.18MM)			1	1	UR
	61A-45577-00-30	SHIM (T:0.30MM) LAINA (T:0.30MM)			1	1	UR
	61A-45577-00-40	SHIM (T:0.40MM) LAINA (T:0.40MM)			1	1	UR
	61A-45577-00-50	SHIM (T:0.50MM) LAINA (T:0.50MM)			1	1	UR
69	93341-440U5	BEARING COJINETE			1	1	
70	6K1-45578-01-10	SHIM (T:0.10MM) LAINA (T:0.10MM)			1	1	UR
	6K1-45578-01-12	SHIM (T:0.12MM) LAINA (:0.12MM)			1	1	UR
	6K1-45578-01-15	SHIM (T:0.15MM) LAINA (T:0.15MM)			1	1	UR
	6K1-45578-01-18	SHIM (T:0.18MM) LAINA (T:0.18MM)			1	1	UR
	6K1-45578-01-30	SHIM (T:0.30MM) LAINA (T:0.30MM)			1	1	UR
	6K1-45578-01-40	SHIM (T:0.40MM) LAINA (T:0.40MM)			1	1	UR
	6K1-45578-01-50	SHIM (T:0.50MM) LAINA (T:0.50MM)			1	1	UR
71	93315-440V6	BEARING COJINETE			1	1	
72	61B-45384-00	NUT TUERCA			1	1	
73	61B-45383-00	WASHER, CLAW ARANDELA DE UNA			1	1	
74	93317-330U5	BEARING COJINETE			1	1	
75	93101-30M17	OIL SEAL SELLO ACEITE			2	2	
76	93211-04384	O-RING ANILLO O			2	2	
77	90105-08M48	BOLT, FLANGE TORNILLO			2	2	
78	93700-09M00	NIPPLE, GREASE NIPLE DE ENGRASAR			1	1	
79	61A-45361-01-5B	CAP, LOWER CASING FUNDA INFERIOR			1	1	
80	97095-08020	BOLT PERNO			2	2	

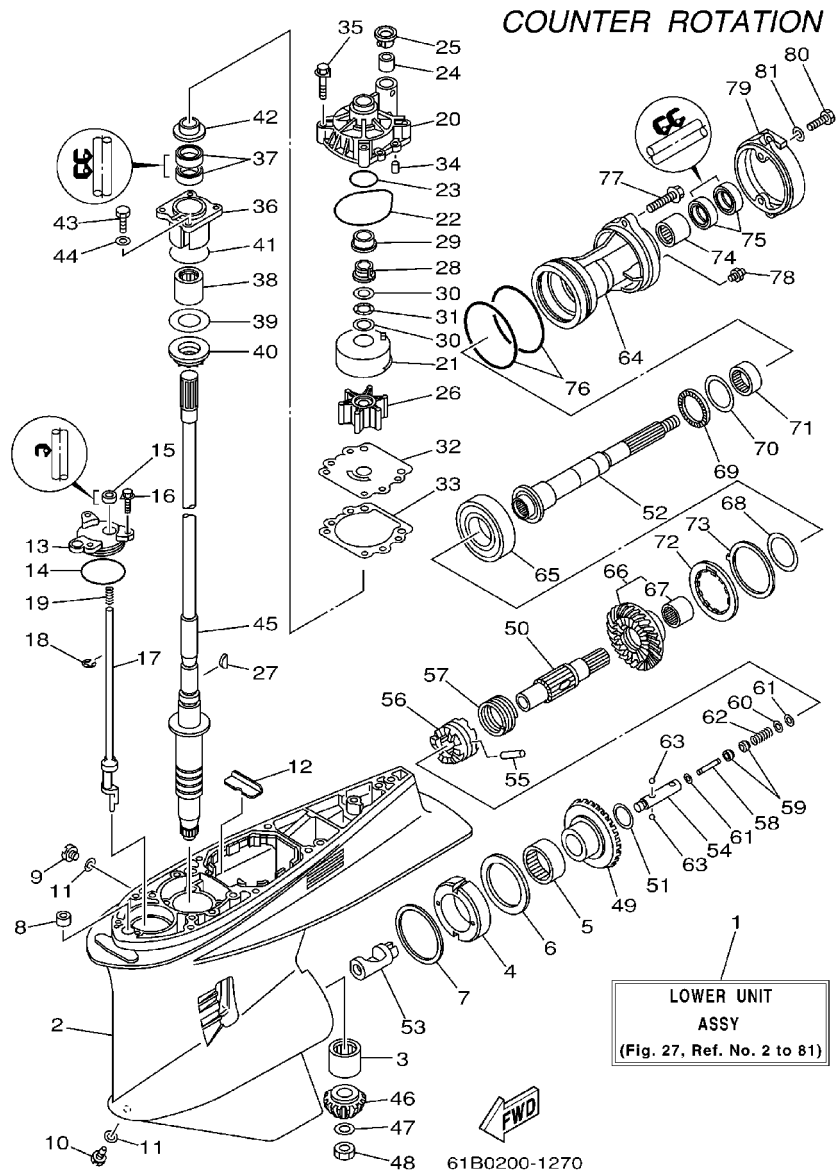
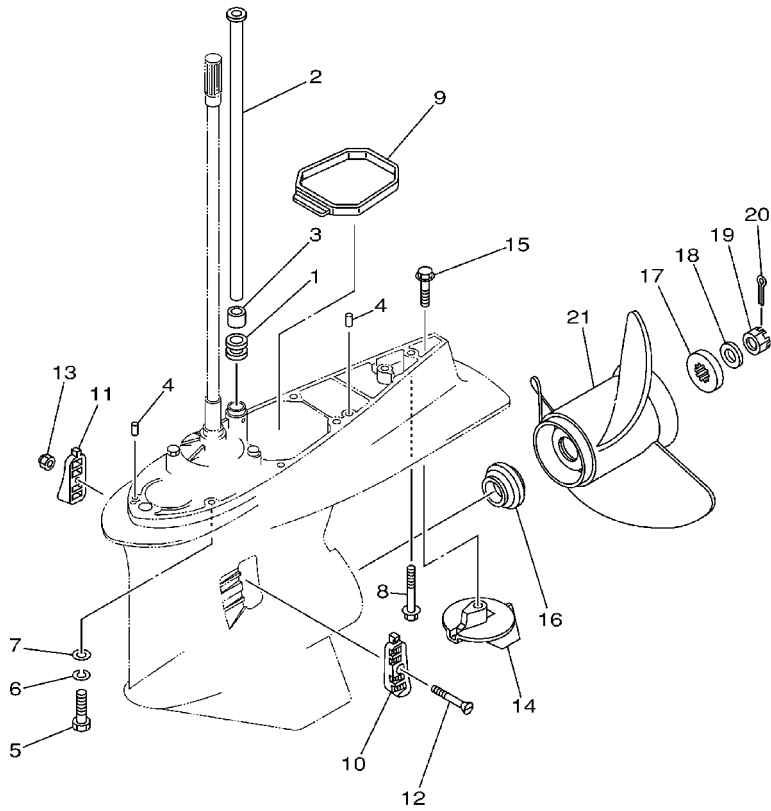


FIG. 27 LOWER CASING. DRIVE 3 IMPULSOR E INFERIOR 3

REF. NO.	PART NO. CODIGO NO.	DESCRIPTION DESCRIPTION	ETO	ET	LETO	LET	REMARKS OBSERVACION
81	92995-08600	WASHER ARANDELA			2	2	
-----							
-----							
-----							
-----							
-----							
-----							
-----							
-----							
-----							
-----							

COUNTER ROTATION

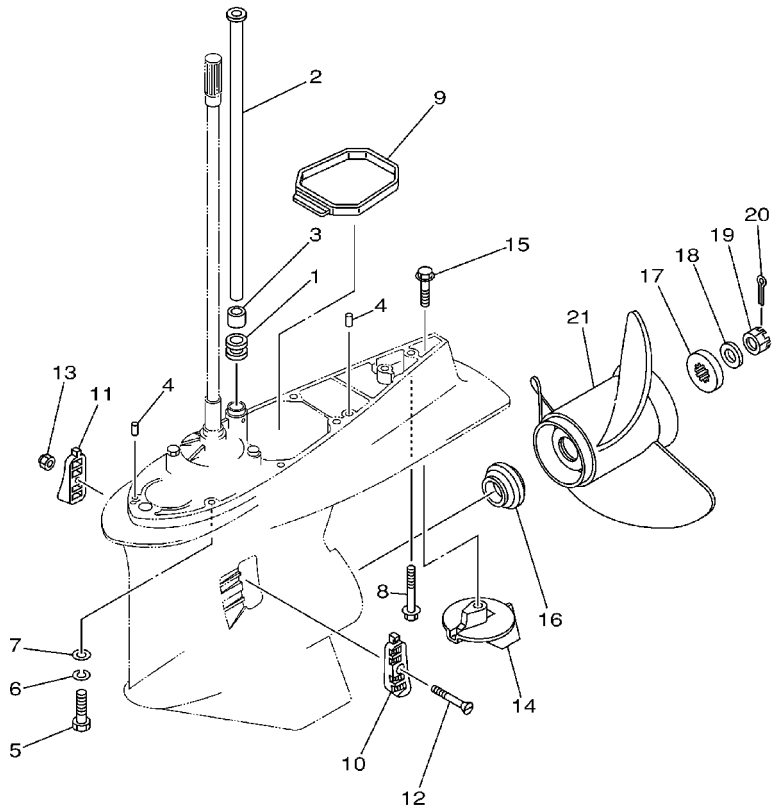


  
65K0100-1270

FIG. 28 LOWER CASING. DRIVE 4 IMPULSOR E INFERIOR 4

REF. NO.	PART NO. CODIGO NO.	DESCRIPTION DESCRIPTION	ETO	ET	LETO	LET	REMARKS OBSERVACION
1	6E5-44366-00	DAMPER, WATER SEAL GOMA DEL SELLO DE AGUA			1	1	
2	61A-44361-20	TUBE, WATER TUBO DE AGUA			1	1	X
	61A-44361-30	TUBE, WATER TUBO DE AGUA			1	1	U
3	6E5-44365-00	DAMPER, WATER SEAL HULE DE SELLO DE AGUA			1	1	
4	93608-12M05	PIN, DOWEL PASADOR DE CLAVIJA			2	2	
5	97095-10045	BOLT PERNO			7	7	
6	92995-10100	WASHER ARANDELA			7	7	
7	92995-10600	WASHER ARANDELA			7	7	
8	90119-10MA2	BOLT, WITH WASHER TORNILLO CON ARANDELA			1	1	
9	61A-45375-00	DAMPER, SEAL GOMA DE SELLO			1	1	
10	61A-45214-00	COVER, WATER INLET CUBIERTA ENTRADA AGUA			1	1	
11	61A-45215-00	COVER, WATER INLET CUBIERTA ENTRADA AGUA			1	1	
12	90152-05M08	SCREW, COUNTERSUNK TORNILLO EMBUTIDO			1	1	
13	90185-05002	NUT, SELF-LOCKING TUERCA AUTOBLOCANTE			1	1	
14	61A-45371-00	TAB-TRIM QUILLA ESTABILIZADOR			1	1	
15	90105-10M00	BOLT, FLANGE TORNILLO			1	1	
16	6E5-45987-01	SPACER ESPACIADOR			1	1	
17	688-45997-01	SPACER ESPACIADOR			1	1	
18	92990-18200	WASHER ARANDELA			1	1	
19	90171-18M04	NUT, CASTLE TUERCA ENTALLADA			1	1	
20	91490-40030	PIN, COTTER PASADOR DE CHAVETA			1	1	
21	6K1-45970-01-98	PROPELLER (3X15-1/4"X15"-ML) PROPELA (3X15-1/4"X15"-ML)			1	1	UR
	6K1-45972-01-98	PROPELLER (3X13-3/4"X21"-ML) PROPELA (3X13-3/4"X21"-ML)			1	1	UR
	6K1-45974-02-98	PROPELLER (3X13-3/4"X19"-ML1) PROPELA (3X13-3/4"X19"-ML1)			1	1	UR
	6K1-45978-02-98	PROPELLER (3X13-3/4"X17"-ML1) PROPELA (3X13-3/4"X17"-ML1)			1	1	UR
	61B-45972-00-98	PROPELLER (3X14-1/2"X21"-TL) PROPELA (3X14-1/2"X21"-TL)			1	1	UR
	61B-45974-00-98	PROPELLER (3X14-1/2"X19"-TL) PROPELA (3X14-1/2"X19"-TL)			1	1	UR

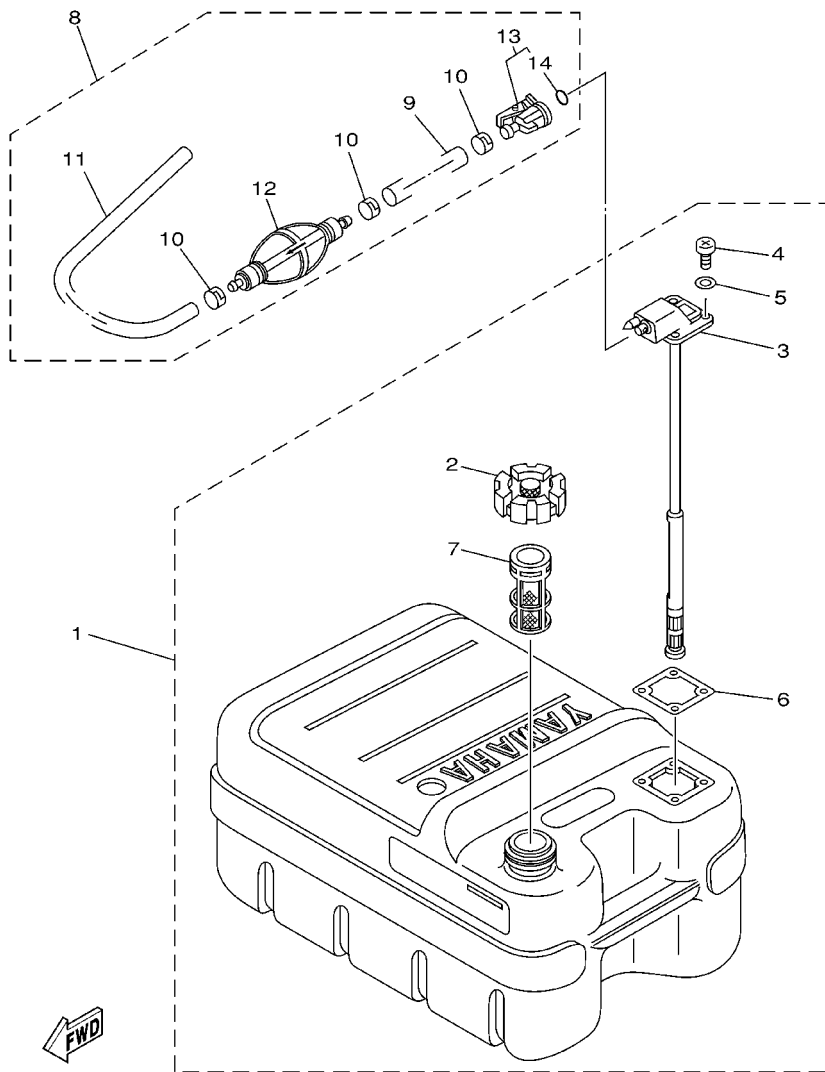
COUNTER ROTATION



**FWD**  
65K0100-1270

**FIG. 28 LOWER CASING. DRIVE 4 IMPULSOR E INFERIOR 4**

REF. NO.	PART NO. CODIGO NO.	DESCRIPTION DESCRIPTION	ETO	ET	LETO	LET	REMARKS OBSERVACION
21	61B-45978-00-98	PROPELLER (3X15"X17"-TL) PROPELA (3X15"X17"-TL)			1	1	UR
	6R1-45970-A0	PROPELLER (3X15-1/4"X19"-ML) PROPELA (3X15-1/4"X19"-ML)			1	1	UR
	6R1-45972-A0	PROPELLER (3X14-7/8"X21"-ML) PROPELA (3X14-7/8"X21"-ML)			1	1	UR
	6R1-45974-A0	PROPELLER (3X14-1/2"X23"-ML) PROPELA (3X14-1/2"X23"-ML)			1	1	UR
	6R1-45976-A0	PROPELLER (3X15-1/4"X15"-ML) PROPELA (3X15-1/4"X15"-ML)			1	1	UR
	6R1-45978-A0	PROPELLER (3X15-1/4"X17"-ML) PROPELA (3X15-1/4"X17"-ML)			1	1	UR



67F0100-9310

FIG. 29 FUEL TANK

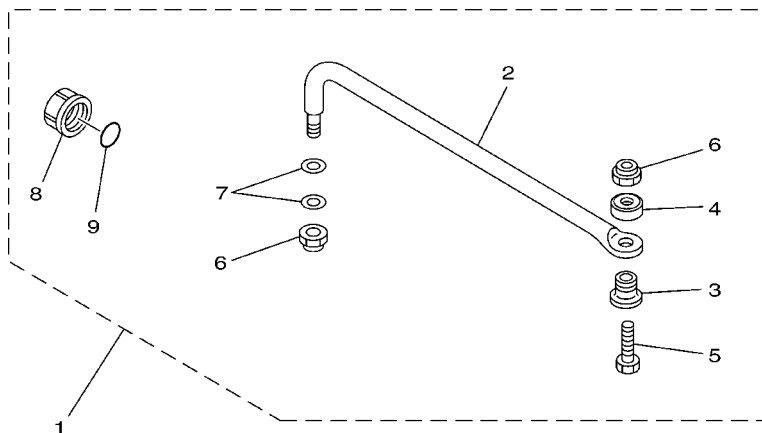
DEPOSITO DE COMBUSTIBLE

REF. NO.	PART NO. CODIGO NO.	DESCRIPTION DESCRIPTION	ETO	ET	LETO	LET	REMARKS OBSERVACION
1	6YJ-24201-10	FUEL TANK ASSY (24L) TANQUE DEL COMBUSTIBLE (24L)	1				AP FOR SWS WITH INDICATOR
2	6YJ-24610-01	.CAP ASSY .TAPA COMPLETA	1				
3	6Y1-24260-12	.FUEL METER ASSY .MEDIDOR DE COMBUSTIBLE COMPL.	1				WITH INDICATOR
4	98586-05016	.SCREW, PAN HEAD .TORNILLO DE CABEZA CON PLANA	4				
5	6Y1-24329-00	.SEAL .SELLO	4				
6	6Y1-24268-00	.GASKET, FUEL METER .EMPAQ MEDIDOR DE COMBUSTIBLE	1				
7	6YJ-24167-00	.STRAINER .COLADOR	1				
8	6Y2-24306-42	FUEL PIPE COMP. 1 TUBO COMBUST. COMPL 1	1				AP FOR SWS
9	90445-13M01	.HOSE (L:2050) .MANGUERA (L:2050)	1				
10	6E5-24351-51	.BAND 1 .ABRAZADERA 1	3				
11	90445-13M35	.HOSE (L:250) .MANGUERA (L:250)	1				
12	6Y2-24360-52	.PRIMER PUMP ASSY .SOPORTE BOMBA	1				
13	6Y2-24305-04	.FUEL PIPE JOINT COMP. 2 .CONECTOR MANGUERA COMBUST. 2	1				
14	93210-08287	.O-RING .ANILLO O	1				



FIG. 30 STEERING GUIDE ATTACHMENT 1

ADITAMENTO GUIA DE GOBIERNO 1

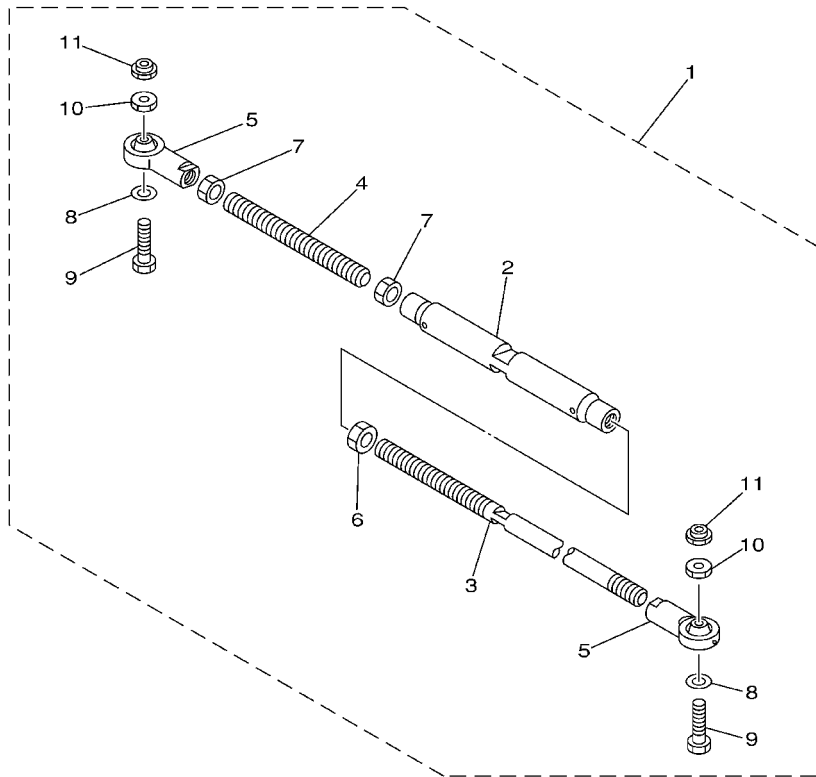


REF. NO.	PART NO. CODIGO NO.	DESCRIPTION DESCRIPTION	ETO	ET	LETO	LET	REMARKS OBSERVACION
1	6E5-61350-02	STEERING GUIDE ATTACHMENT KIT ESTUCHE ADITAMENTO GUIA DE TIM	1	1	1		AP "LETO"-FOR CARIB
2	6E5-61351-01	.ROD, STEERING LINK .VARILLA ESLABON DIRECCION	1	1	1		
3	90387-10M61	.COLLAR .COLLAR	1	1	1		
4	90560-12M01	.SPACER .SEPARADOR	1	1	1		
5	6E5-61355-00	.BOLT .TORNILLO	1	1	1		
6	90185-09M01	.NUT, SELF-LOCKING .TUERCA AUTOBLOCANTE	2	2	2		
7	90201-10M20	.WASHER, PLATE .ARANDELA PLANA	2	2	2		
8	6E5-43145-01	.CAP, CLAMP BRACKET .TAPA	1	1	1		
9	93210-16275	.O-RING .ANILLO O	1	1	1		

67H0100-9290

FIG. 31 STEERING GUIDE ATTACHMENT 2

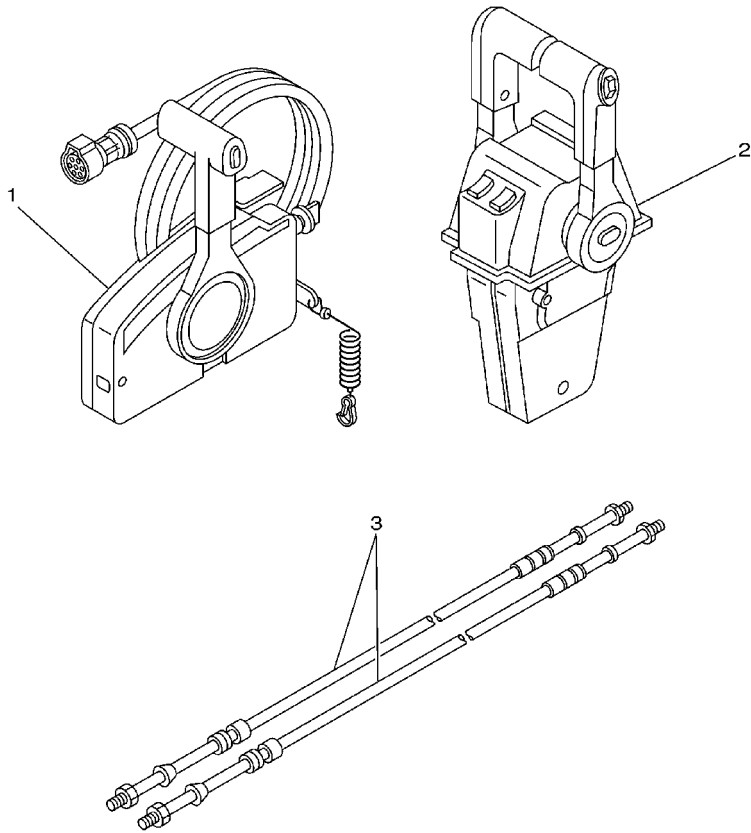
ADITAMENTO GUIA DE GOBIERNO 2



REF. NO.	PART NO. CODIGO NO.	DESCRIPTION DESCRIPTION	ETO	ET	LETO	LET	REMARKS OBSERVACION
1	6E5-61301-01	TWIN KIT (L:600-800MM) KIT ADITAMENTO (L:600-800MM)			1	1	AP
2	6E5-61313-00	.ADJUSTER .AJUSTADOR			1	1	
3	6E5-61311-11	.TIE BAR .BARRA SEPARADORA			1	1	
4	6E5-61315-00	.TIE BAR .ROTOR DE BOMBA AGUA			1	1	
5	6E5-61303-00	.STEERING EYE COMP. .OJO-DIRECCION COMPL.			2	2	
6	90170-14M06	.NUT .TUERCA			1	1	
7	95380-14700	.NUT .TUERCA			2	2	
8	90201-10M76	.WASHER, PLATE .ARANDELA PLANA			2	2	
9	90101-09M70	.BOLT .TORNILLO			2	2	
10	90170-09M05	.NUT .TUERCA			2	2	
11	90185-09M01	.NUT, SELF-LOCKING .TUERCA AUTOBLOCANTE			2	2	

67H0100-0300

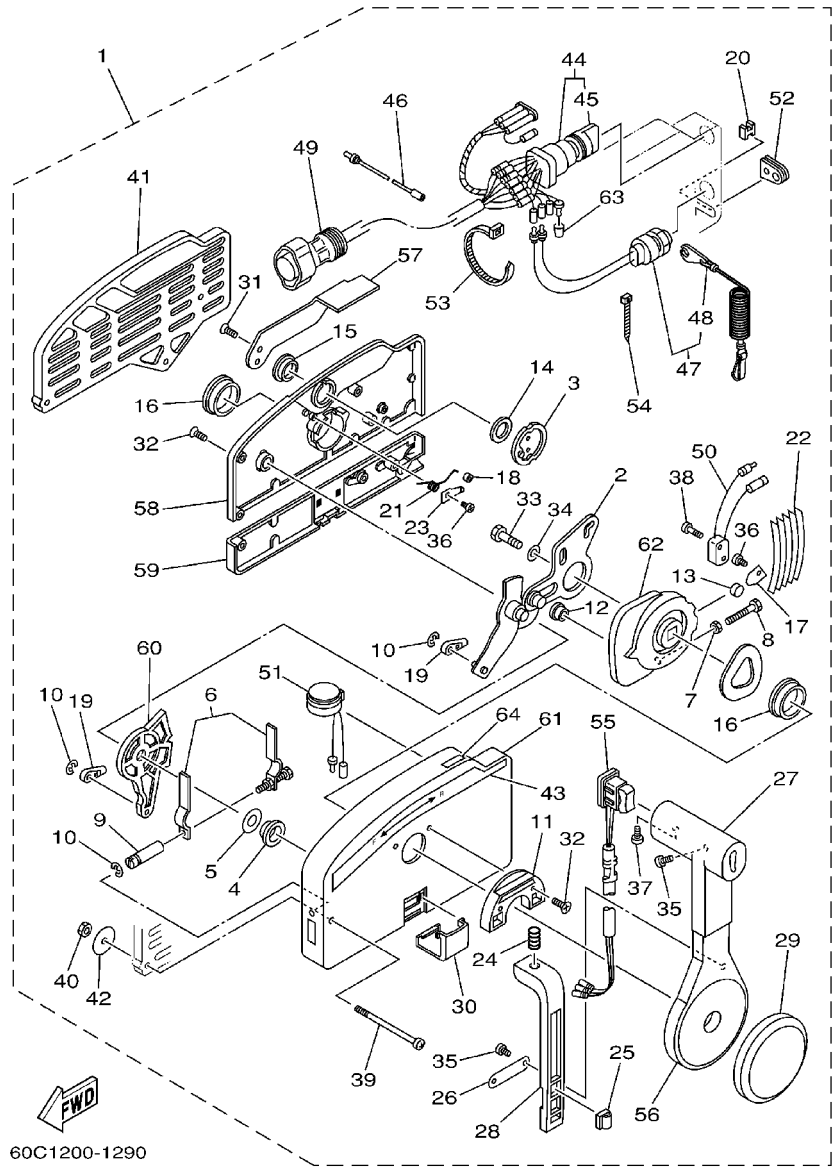
**FIG. 32 REMOTE CONTROL BOX CONTROL REMOTO COMPL.**



REF. NO.	PART NO. CODIGO NO.	DESCRIPTION DESCRIPTION	ETO	ET	LETO	LET	REMARKS OBSERVACION
1	703-48205-A4	REMOTE CONTROL ASSY REMOTO CONTROL COMPL.	1	1			AP WITH PT/T SW.
2	704-48207-23	REMOTE CONTROL ASSY COMANDO REMOTO			1	1	AP WITH PT/T SW.
3	701-48320-80	CABLE, REMOTE CONTROL L=17F CABLE CONTROL REMOTO L=17F	2	2	2	2	UR
	701-48320-90	CABLE, REMOTE CONTROL L=18F CABLE CONTROL REMOTO L=18F	2	2	2	2	UR
	701-48320-70	CABLE, REMOTE CONTROL L=20F CABLE CONTROL REMOTO L=20F	2	2	2	2	UR
	701-48350-00	CABLE, REMOTE CONTROL L=21F CABLE CONTROL REMOTO L=21F	2	2	2	2	UR

  
67H0100-9310

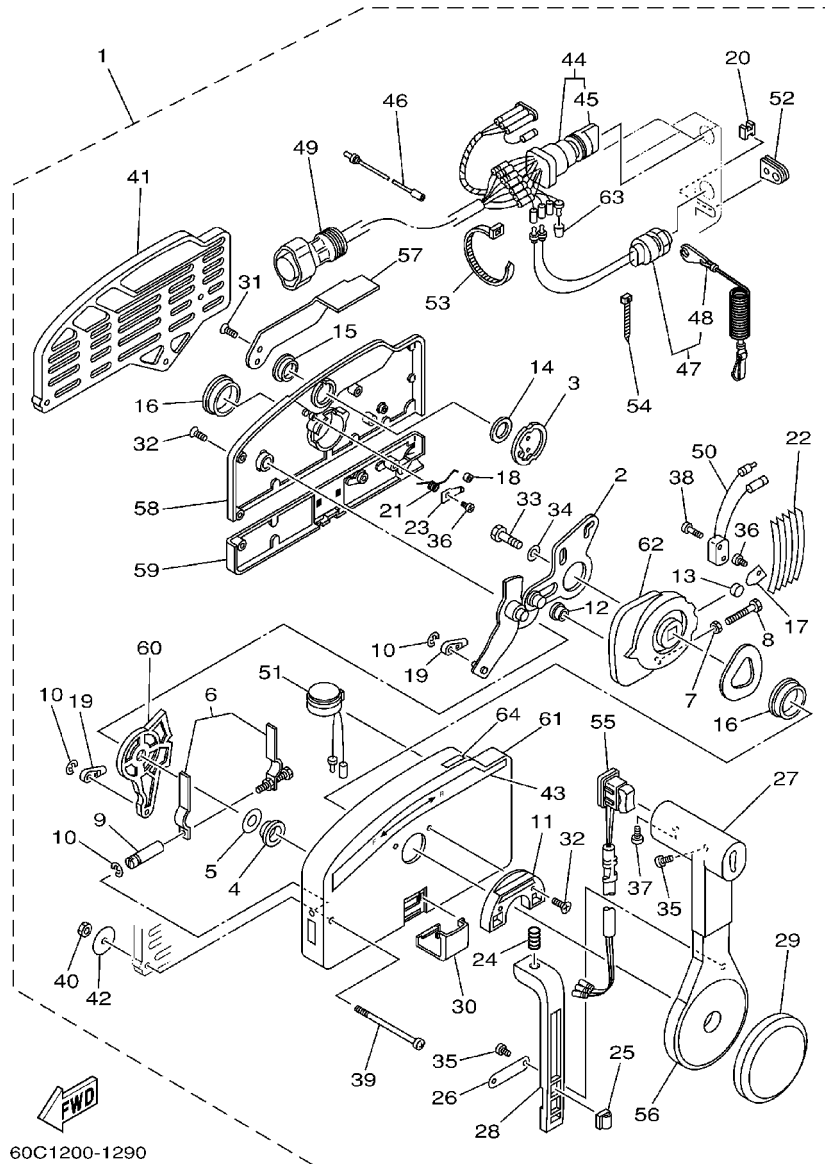
FIG. 33 REMOTE CONTROL ASSY 1 CONTROL REMOTO COMPL. 1



60C1200-1290

REF. NO.	PART NO. CODIGO NO.	DESCRIPTION DESCRIPTION	ETO	ET	LETO	LET	REMARKS OBSERVACION
1	703-48205-A4	REMOTE CONTROL ASSY REMOTO CONTROL COMPL.	1	1			AP WITH PT/T SW.
2	703-48261-01	.ARM, THROTTLE .BRAZO ACELERADOR	1	1			
3	703-48153-00	.SHAFT, FREE ACCEL. .EJE	1	1			
4	703-48235-00	.BUSHING .BUJE	1	1			
5	703-48268-00	.SPACER .ESPACIADOR 3	1	1			
6	703-48264-00	.THROTTLE, FRICTION .FRICCION ACELERADOR	1	1			
7	95380-05600	.NUT .TUERCA	1	1			
8	97380-05025	.BOLT .PERNO	1	1			
9	703-48265-00	.SHAFT, FRICTION .EJE FRICCION	1	1			
10	93430-06024	.CIRCLIP .BOLA	3	3			
11	703-48245-00	.PLATE, LOCK .PLACA CERRADURA	1	1			
12	703-48252-00	.ROLLER, CAM .RODILLO LEVA	1	1			
13	701-48248-00	.ROLLER, FREE ACCEL. .RODILLO ACELERADOR LIBRE	1	1			
14	703-48198-00	.WASHER, WAVE .RONDANA ONDULADA 3	1	1			
15	703-48243-00	BUSHING BUJE 3	1	1			
16	703-48236-00	BUSHING 1 BUJE	2	2			
17	703-48189-00	.RETAINER .RETENEDOR	1	1			
18	703-48234-00	.ROLLER, DETENT .RODILLO	1	1			
19	703-48345-01	.CABLE END, REMOTE CONTROL 2 .TERMINAL CABLE DE CONTROL REM	2	2			
20	703-48358-00	.ANCHOR, CABLE ABRAZADERA CABLE	1	1			
21	703-48244-00	.SPRING, FREE ACCEL. .RESORTE ACELERADOR LIBRE	1	1			
22	703-48238-00	.SPRING, DETENT .RESORTE	5	5			
23	703-48246-00	.SPACER .ESPACIADOR	1	1			
24	703-48227-00	.SPRING, NEUTRAL LOCK .RESORTE DE SEGURO	1	1			
25	703-82594-00	.CLAMP .GRAMPA	1	1			WITH PT/T SW.
26	703-48226-00	.PLATE, STOPPER .PLACA RETEN	1	1			
27	703-48222-00	.GRIP, CONTROL LEVER .MANGO DE PALANCA CONTROL	1	1			SINGLE

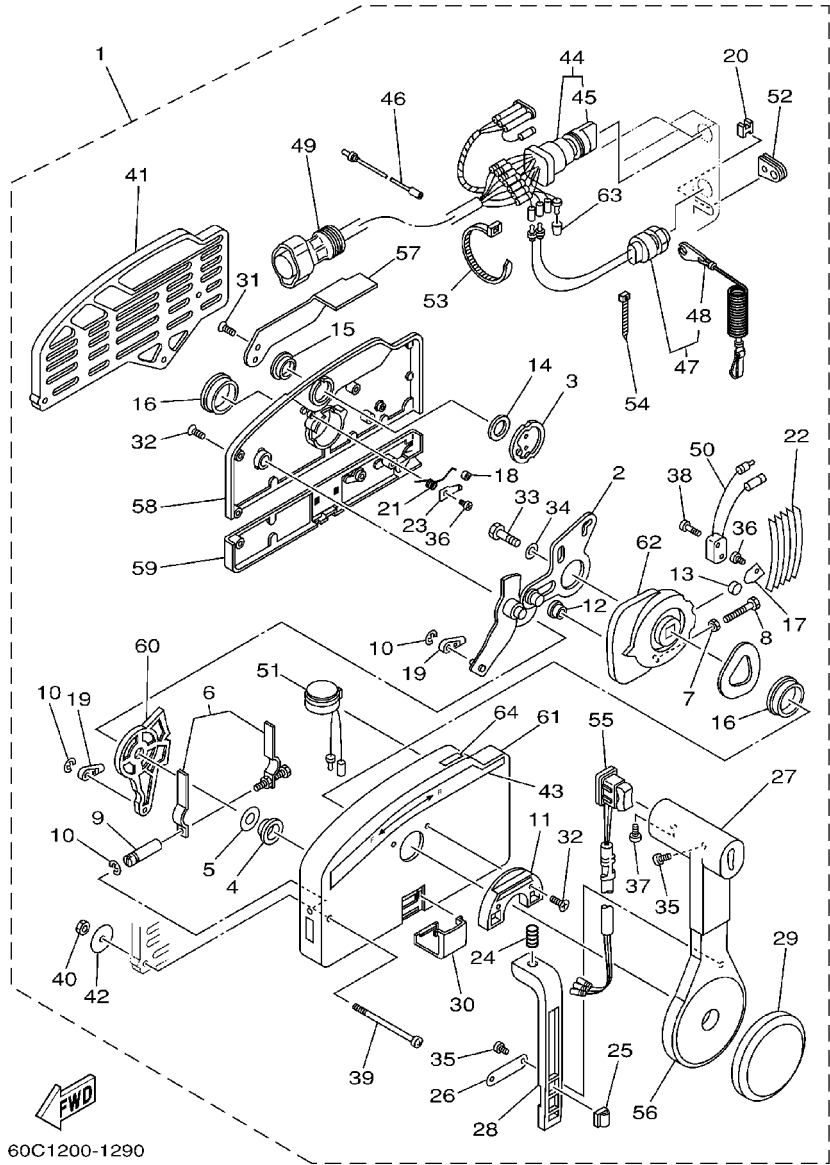
FIG. 33 REMOTE CONTROL ASSY 1 CONTROL REMOTO COMPL. 1



60C1200-1290

REF. NO.	PART NO. CODIGO NO.	DESCRIPTION DESCRIPTION	ETO	ET	LETO	LET	REMARKS OBSERVACION
28	703-48223-00	.LOCK, NEUTRAL .CERRADURA NEUTRO	1	1			
29	703-48225-00	.COVER .CUBIERTA	1	1			
30	703-48219-00	.COVER, LEAD .CUBIERTA	1	1			
31	703-48281-00	.SCREW .TORNILLO 1	2	2			
32	703-48282-00	.SCREW .TORNILLO 2	7	7			
33	97380-08030	.BOLT .PERNO	1	1			
34	92990-08600	.WASHER, PLATE .ARANDELA	1	1			
35	98580-04010	.SCREW, PAN HEAD .TORNILLO DE CABEZA CON PLANA	3	3			
36	98580-04006	.SCREW, PAN HEAD .TORNILLO DE CABEZA CON PLANA	2	2			
37	98580-05010	.SCREW, PAN HEAD .TORNILLO DE CABEZA CON PLANA	1	1			
38	98580-03015	.SCREW, PAN HEAD .TORNILLO DE CABEZA CON PLANA	2	2			
39	703-48291-10	.SCREW (M6) .TORNILLO (M6)	3	3			
40	95380-06600	.NUT, HEXAGON .TUERCA	3	3			
41	703-48293-10	.SPACER, REMOTE CONTROL .ESPACIADOR	1	1			SINGLE
42	701-48287-00	.WASHER .ARANDELA	3	3			
43	703-48215-00	.GRAPHIC .CALCOMANIA 1	1	1			
44	703-82510-12	.MAIN SWITCH ASSY .CONJUNTO DE LLAVE IGNICION	1	1			FOR PRIME START MODEL
45	676-82577-00	.CAP, KEY .TAPA	1	1			
46	703-82531-00	.WIRE, LEAD .CABLE CONDUCTOR	1	1			
47	688-82575-01	.ENGINE STOP SWITCH ASSY .INTERRUPTOR DE PARADA COMPL	1	1			
48	682-82556-00	.STOPPER .RETENER	1	1			
49	688-8258A-20	.EXTENSION, WIRE HARNESS .EXTENSION, ARNES DE CABLES	1	1			L:5M (10P)
50	703-82540-00	.NEUTRAL SWITCH ASSY .INTERRUPTOR NEUTRAL COMPL	1	1			
51	703-83383-A0	.BUZZER .ZUMBADOR	1	1			
52	703-48284-00	.GROMMET .TAPON 1	1	1			
53	703-82591-00	.BAND .BANDA	1	1			
54	703-82592-00	.BAND .BANDA	1	1			

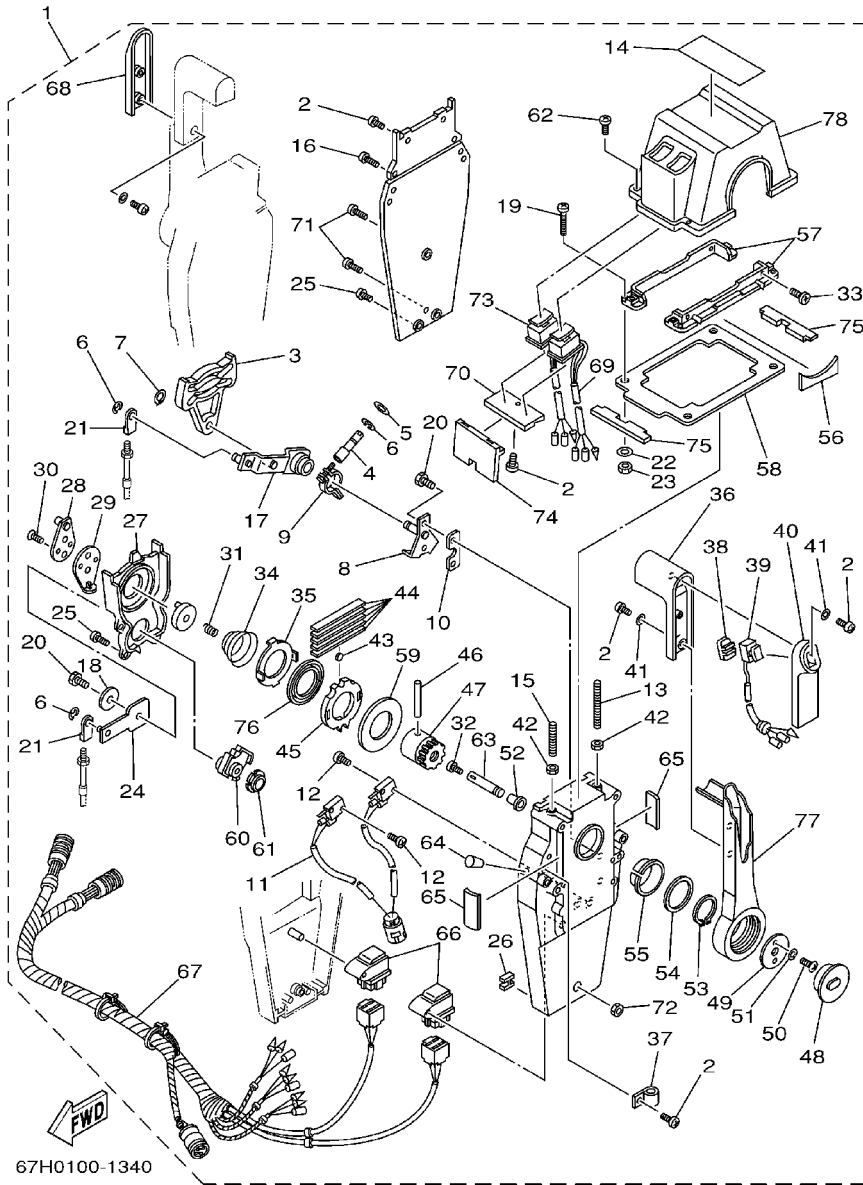
FIG. 33 REMOTE CONTROL ASSY 1 CONTROL REMOTO COMPL. 1



60C1200-1290

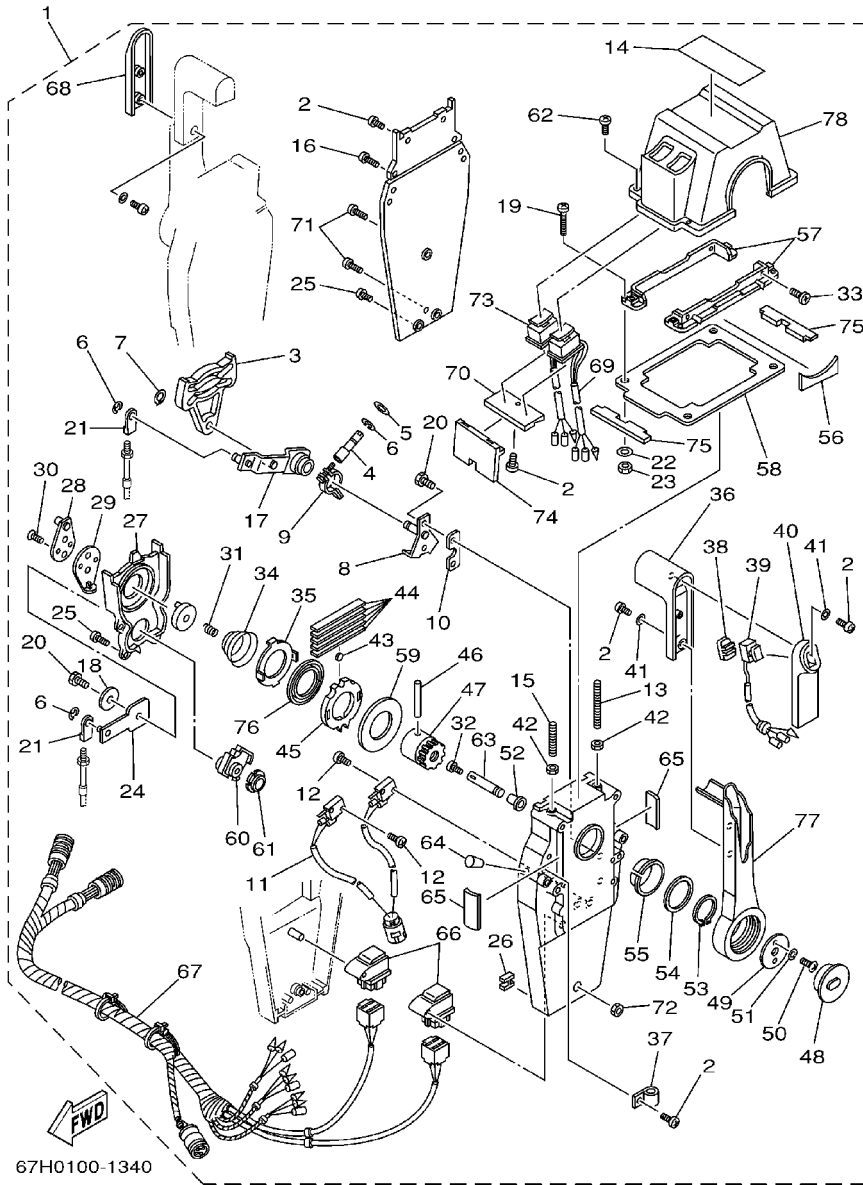
REF. NO.	PART NO. CODIGO NO.	DESCRIPTION DESCRIPTION	ETO	ET	LETO	LET	REMARKS OBSERVACION
55	703-82563-02	.TRIM & TILT SWITCH ASSY .INTERRUPTOR DE INCLINACION	1	1			
56	703-48221-00	.LEVER, CONTROL .PALANCA CONTROL	1	1			
57	703-48152-00	.KNOB, FREE ACCEL. .PERILLA	1	1			
58	703-48212-00	.BACK PLATE 1 .PLACA TRASERA 1	1	1			
59	703-48213-00	.BACK PLATE 2 .PLACA TRASERA 2	1	1			
60	703-48271-00	.ARM, SHIFT .BRAZO CAMBIADOR	1	1			
61	703-48211-01	.HOUSING,1 .CAJA	1	1			
62	703-48232-00	.GEAR .ENGRANAJE 1	1	1			
63	703-82542-00	.CAP .TAPA	1	1			
64	703-48218-00	.GRAPHIC .CALCAMONIA	1	1			

FIG. 34 REMOTE CONTROL ASSY 2 CONTROL REMOTO COMPL. 2



REF. NO.	PART NO. CODIGO NO.	DESCRIPTION DESCRIPTION	ETO	ET	LETO	LET	REMARKS OBSERVACION
1	704-48207-23	REMOTE CONTROL ASSY COMANDO REMOTO			1	1	AP WITH PT/T SW.
2	97890-05016	.SCREW, PAN HEAD .TORNILLO DE CABEZA CON PLANA			12	12	
3	EL8-48251-00	.PLATE, CAM .PLACA, LEVA			2	2	
4	704-48265-00	.SHAFT, FRICTION .EJE FRICCION			2	2	
5	701-48246-00	.SPACER .ESPACIADOR			2	2	
6	93430-06024	.CIRCLIP .BOLA			8	8	
7	EL8-48259-00	.CIRCLIP 1 .SEGURO			2	2	
8	704-48262-00	.SHAFT, THROTTLE .EJE DE ACELERADOR			2	2	
9	704-48264-00	.THROTTLE, FRICTION .FRICCION ACELERADOR			2	2	
10	704-48266-00	.SPACER .ESPACIADOR 2			2	2	
11	704-82540-10	.NEUTRAL SWITCH ASSY .INTERRUPTOR NEUTRAL COMPL			1	1	
12	6A5-48129-10	.SCREW 3 .TORNILLO 3			4	4	
13	EL8-48281-00	.SCREW .TORNILLO 1			2	2	
14	704-48215-10	.GRAPHIC .CALCOMANIA 1			1	1	
15	704-48281-00	.SCREW .TORNILLO 1			2	2	
16	97890-05025	.SCREW, PAN HEAD .TORNILLO DE CABEZA CON PLANA			4	4	
17	704-48261-00	.ARM, THROTTLE .BRAZO ACELERADOR			2	2	
18	EL8-48191-00	.WASHER 1 .ARANDELA			2	2	
19	704-48283-00	.SCREW .TORNILLO 3			4	4	
20	97380-06018	.BOLT .PERNO			6	6	
21	703-48345-01	.CABLE END, REMOTE CONTROL 2 .TERMINAL CABLE DE CONTROL REM			4	4	
22	704-48287-00	.WASHER .ARANDELA			4	4	
23	95380-05600	.NUT .TUERCA			4	4	
24	EL8-48271-00	.ARM, SHIFT .BRAZO CAMBIADOR			2	2	
25	EL8-48127-00	.SCREW 1 .TORNILLO 1			16	16	
26	703-48358-00	.ANCHOR, CABLE .ABRAZADERA CABLE			2	2	
27	EL8-48231-00	.HOUSING, GEAR .CAJA, ENGRANAJE			2	2	

FIG. 34 REMOTE CONTROL ASSY 2 CONTROL REMOTO COMPL. 2

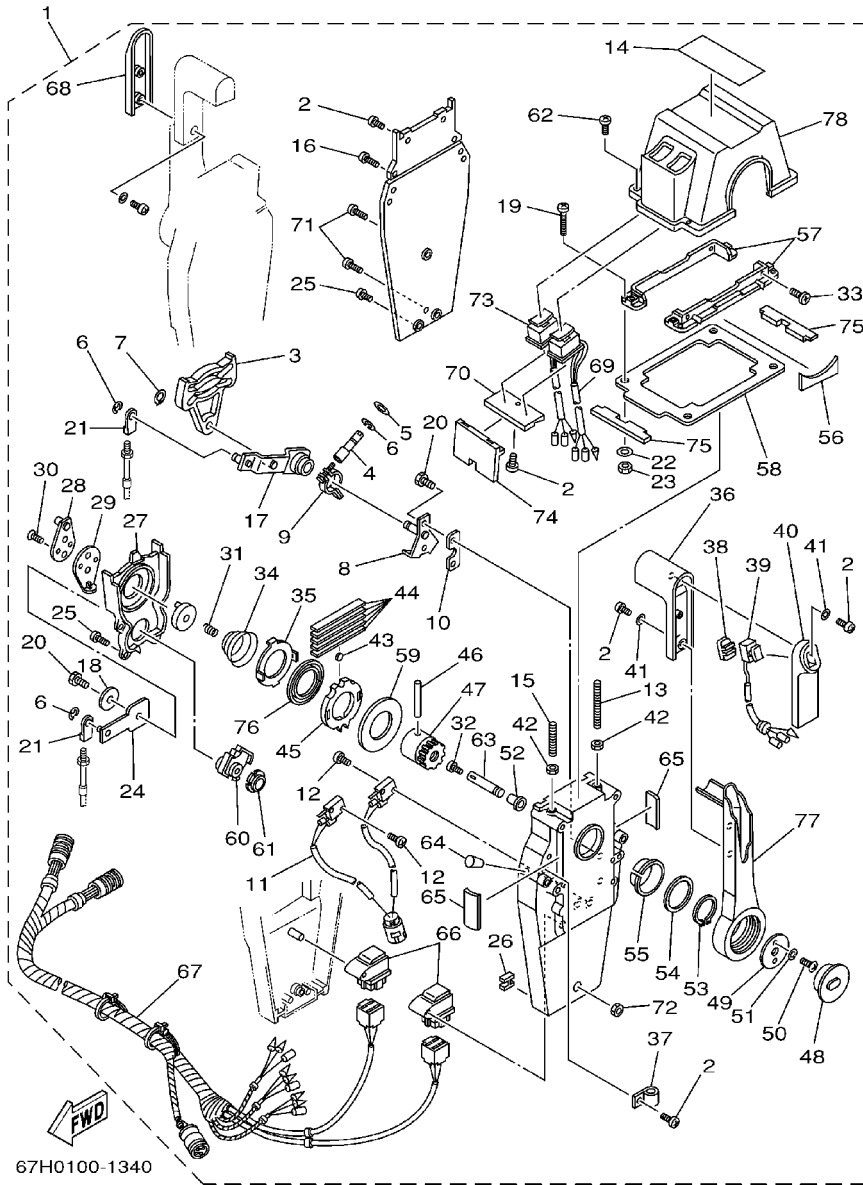


67H0100-1340

REF. NO.	PART NO. CODIGO NO.	DESCRIPTION DESCRIPTION	ETO	ET	LETO	LET	REMARKS OBSERVACION
28	EL8-48241-00	.ARM, DRIVE .BRAZO,MANDO			2	2	
29	EL8-48254-00	.STOPPER, THROTTLE ADJUSTING .TAPON			2	2	
30	92780-06020	.SCREW, FLAT HEAD .TORNILLO DE CABEZA PLANA			4	4	
31	EL8-48158-00	.SPRING 1 .RESORTE 1			2	2	
32	98580-04006	.SCREW, PAN HEAD .TORNILLO DE CABEZA CON PLANA			2	2	
33	98780-05018	.SCREW, FLAT HEAD .TORNILLO DE CABEZA PLANA			4	4	
34	EL8-48244-00	.SPRING, FREE ACCEL. .RESORTE ACELERADOR LIBRE			2	2	
35	EL8-48245-00	.PLATE, LOCK .PLACA CERRADURA			2	2	
36	704-48222-00	.GRIP, CONTROL LEVER .MANGO DE PALANCA CONTROL			2	2	
37	704-82594-00	.CLAMP .GRAMPA			1	1	
38	704-48228-00	.HOLDER, SWITCH .MORDAZA			1	1	
39	704-82563-31	.TRIM & TILT SWITCH ASSY .INTERRUPTOR DE INCLINACION			1	1	
40	704-48229-00	.GRIP, CONTROL LEVER .MANGO DE PALANCA CONTROL 2			1	1	
41	92990-05300	.WASHER, INTERNAL TOOTH .ARANDELA			6	6	
42	95380-06600	.NUT, HEXAGON .TUERCA			4	4	
43	701-48248-00	.ROLLER, FREE ACCEL. .RODILLO ACELERADOR LIBRE			2	2	
44	703-48238-00	.SPRING, DETENT .RESORTE			10	10	
45	EL8-48232-00	.GEAR 1 .ENGRANAJE 1			2	2	
46	EL8-48164-00	.PIN 2 .PASADOR 2			2	2	
47	704-48242-00	.SHAFT, DRIVE .EJE, PROPULSION			2	2	
48	704-48225-00	.COVER .CUBIERTA			2	2	
49	704-48192-00	.WASHER 2 .RONDANA 2			2	2	
50	97890-06018	.SCREW, PAN HEAD .TORNILLO DE CABEZA CON PLANA			4	4	
51	92990-06300	.WASHER, INTERNAL TOOTH .ARANDELA			4	4	
52	702-48263-00	.BUSHING .BUJE 4			2	2	
53	EL8-48279-00	.CIRCLIP 2 .SEGURO2			2	2	
54	704-48193-00	.WASHER 3 .RONDANA 3			2	2	

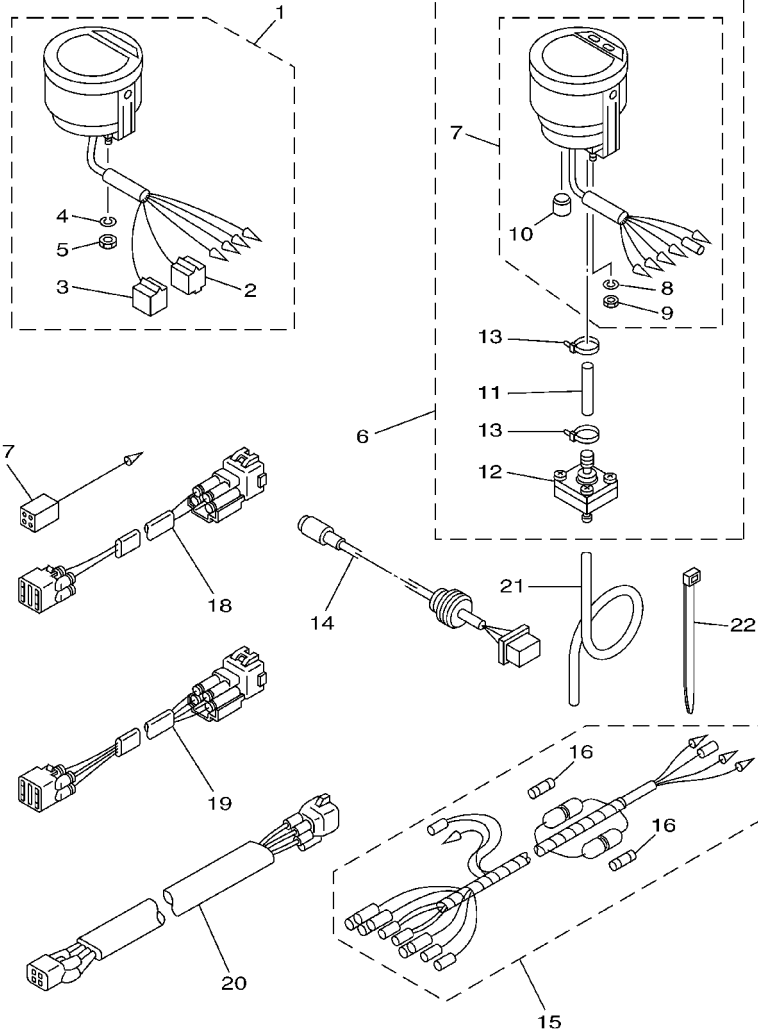


FIG. 34 REMOTE CONTROL ASSY 2 CONTROL REMOTO COMPL. 2



67H0100-1340

REF. NO.	PART NO. CODIGO NO.	DESCRIPTION DESCRIPTION	ETO	ET	LETO	LET	REMARKS OBSERVACION
55	EL8-48234-00	.BUSHING 1 .BUJE			2	2	
56	704-48219-00	.COVER, LEAD .CUBIERTA			2	2	
57	704-48144-00	.PLATE, STOPPER 2 .PLACA, RETEN 2			2	2	
58	704-48176-10	.GROMMET .TOPON			1	1	
59	703-48192-00	.WASHER 2 .RONDANA 2			2	2	
60	EL8-48233-00	.GEAR 2 .ENGRANAJE 2			2	2	
61	703-48235-00	.BUSHING .BUJE			2	2	
62	704-48282-00	.SCREW .TORNILLO 2			4	4	
63	EL8-48153-10	.SHAFT, FREE ACCEL. .EJE			2	2	
64	704-48166-00	.PLUG .TAPON			2	2	
65	704-48284-00	.GROMMET .TAPON 1			4	4	
66	704-81950-00	.RELAY ASSY .RELE COMPLETO			2	2	
67	704-82590-10	.WIRE HARNESS ASSY .CONJUNTO DE CABLES			1	1	
68	704-48229-10	.GRIP, CONTROL LEVER .MANGO DE PALANCA CONTROL 2			1	1	
69	704-82563-E0	.TRIM & TILT SWITCH ASSY .INTERRUPTOR DE INCLINACION			1	1	
70	704-48228-10	.HOLDER, SWITCH .MORDAZA			1	1	
71	704-48128-00	.SCREW 2 .TORNILLO 2			3	3	
72	704-48156-00	.NUT 1 .TUERCA 1			1	1	
73	704-82563-F0	.TRIM & TILT SWITCH ASSY .INTERRUPTOR DE INCLINACION			1	1	
74	704-48285-00	.GROMMET 2 .TAPON 2			1	1	
75	704-48286-00	.GROMMET 3 .TAPON 3			2	2	
76	704-48178-00	.PLATE, SHIFT .PLACA			2	2	
77	704-48221-00	.LEVER, CONTROL .PALANCA CONTROL			2	2	
78	704-48119-20	.COVER .CUBIERTA			1	1	



67H1100-2350

FIG. 35 METER 1

MEDIDOR 1

REF. NO.	PART NO. CODIGO NO.	DESCRIPTION DESCRIPTION	ETO	ET	LETO	LET	REMARKS OBSERVACION
1	6Y5-8350T-01	DIGITAL TACHOMETER ASSY TACOMETRO DIGGITAL COMPLETO	1		1		AP
2	9E450-04433	.CONNECTOR .CONECTOR	1		1		M-4-W
3	9E450-04533	.CONNECTOR .CONECTOR	1		1		F-4-W
4	92990-04100	.WASHER, SPRING .ARANDELA	2		2		
5	95380-04600	.NUT .TUERCA	2		2		
6	6Y5-83500-S5	DIGITAL SPEEDOMETER ASSY VELOCIMETRO DIGITAL COMPLETO	1				AP
7	6Y5-83570-S5	.SPEEDOMETER ASSY .VELOCIMETRO COMPLETO	1				
8	92990-04100	..WASHER, SPRING ..ARANDELA	2				
9	95380-04600	..NUT ..TUERCA	2				
10	6Y5-83533-T2	..GROMMET ..ANILLO PROTECTOR	1				
11	6Y5-83557-31	.TUBE .ENCHUFE DE ACEITE	1				
12	6Y5-83728-00	.CONNECTOR ASSY .CONEXION COMPLET	1				
13	90465-11M10	.CLAMP .BRIDA	2				
14	6Y5-87122-S0	CORD ASSY 1 CORDON COMPLETO	1				AP
15	6Y5-83553-M0	WIRE, LEAD CABLE CONDUCTOR	1				AP
	6Y5-83553-00	WIRE, LEAD CABLE CONDUCTOR			1		AP
16	1E6-82151-00	.FUSE (10A) .FUSIBLE (10A)	2				
	1E6-82151-00	.FUSE (10A) .FUSIBLE (10A)			1		
17	6Y5-82117-00	WIRE, LEAD (BLACK) CABLE, CONDUCTOR (NEGRO)	1				AP
18	6R3-82521-70	WIRE, LEAD CABLE CONDUCTOR	1				AP 7M
	6R3-82521-80	WIRE, LEAD CABLE CONDUCTOR			1		AP 8M
19	6R3-82553-70	EXTENSION, WIRE LEAD CABLE	1				AP 4P,7M
	6R3-82553-80	EXTENSION, WIRE LEAD CABLE			1		AP 4P,8M
20	6R3-82553-30	EXTENSION, WIRE LEAD L=3000 CABLE			2		AP
21	6Y5-83557-00	TUBE (6M) TUBO (6M)	1				AP
22	90465-11M10	CLAMP BRIDA	2				

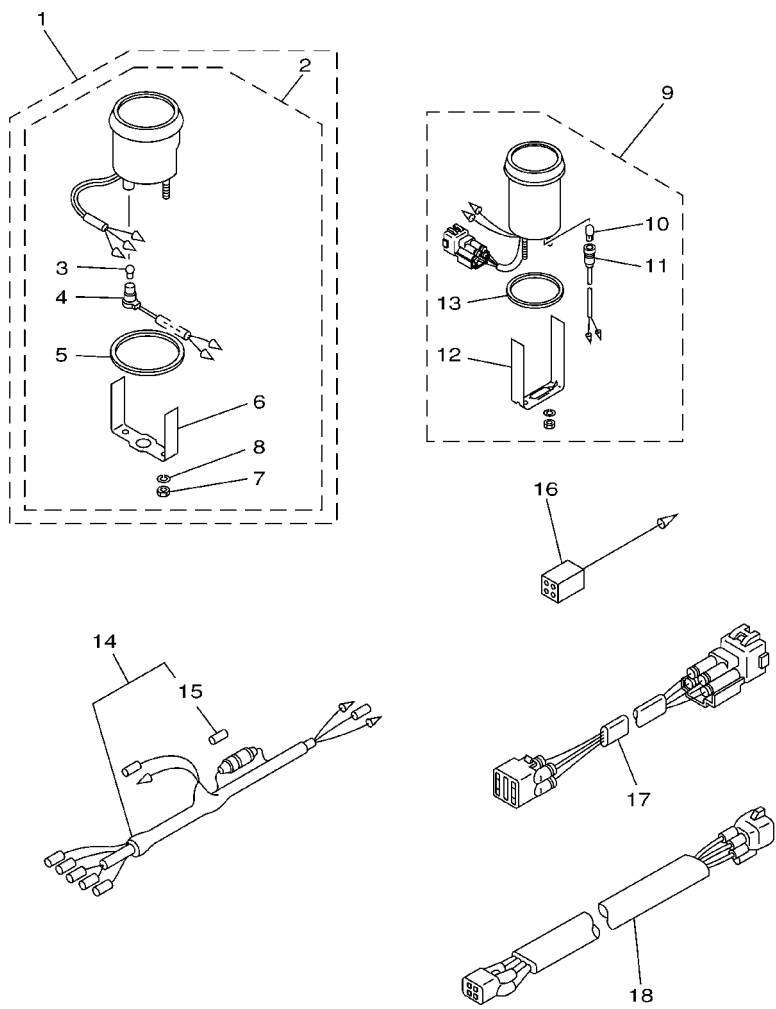


FIG. 36 METER 2

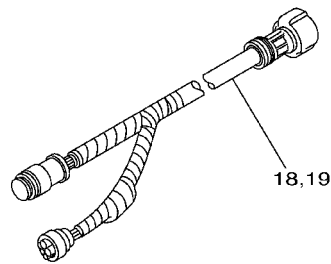
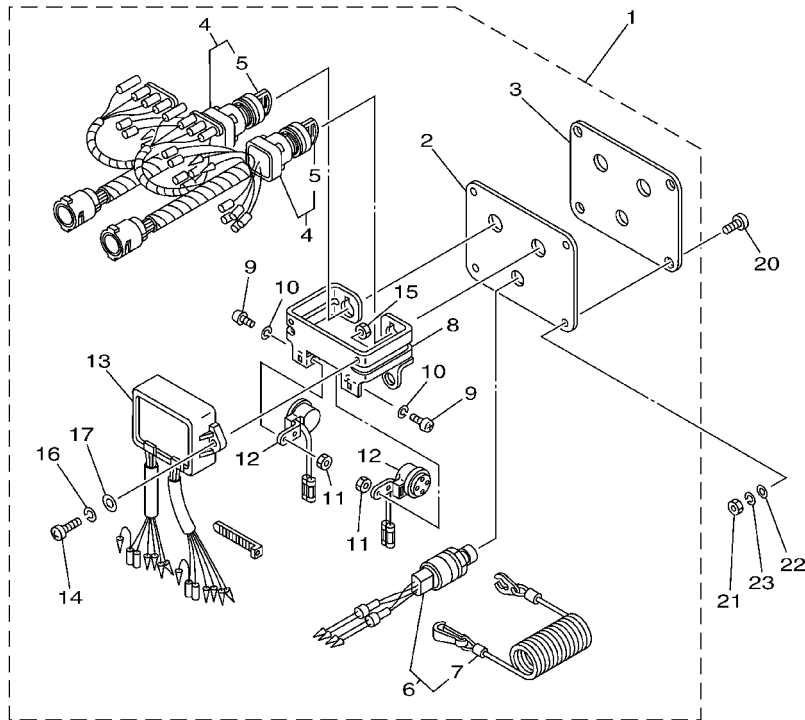
MEDIDOR 2

REF. NO.	PART NO. CODIGO NO.	DESCRIPTION DESCRIPTION	ETO	ET	LETO	LET	REMARKS OBSERVACION
1	6Y5-W0080-12	TACHOMETER KIT JUEGO DE TACOMETRO		1		1	AP
2	6Y5-83540-14	.TACHOMETER ASSY .TACOMETRO COMPLETO		1		1	WITHOUT OIL LAMP
3	6Y5-83517-00	..BULB (12V-1.7W, T10) ..BOMBILLA (12V-1.7W, T10)		1		1	
4	6Y5-83536-10	..SOCKET, METER ..ENCASTRE DE MEDIDOR		1		1	
5	6Y5-83523-00	..DAMPER ..AMORTIGUADOR		1		1	
6	6Y5-83514-00	..PLATE, FITTING ..PLACA ACCESORIA		1		1	
7	95380-05600	..NUT ..TUERCA		2		2	
8	92990-05100	..WASHER, SPRING ..ARANDELA		2		2	
9	6Y5-83670-12	TRIM METER ASSY. MEDIDOR DE INCLINACION		1		1	AP
10	6Y5-83518-00	..BULB (12V-1.7W, T6.5) ..BOMBILLA (12V-1.7W, T6.5)		1		1	
11	6Y5-83536-00	..SOCKET, METER ..ENCASTRE DE MEDIDOR		1		1	
12	6Y5-83544-00	..PLATE, FITTING ..PLACA ACCESORIA		1		1	
13	688-83664-00	..DAMPER ..AMORTIGUADOR		1		1	
14	6Y5-83553-00	WIRE, LEAD CABLE CONDUCTOR		1		1	AP
15	1E6-82151-00	FUSE (10A) FUSIBLE (10A)		1		1	
16	6Y5-82117-00	WIRE, LEAD (BLACK) CABLE, CONDUCTOR (NEGRO)		1		1	AP
17	6R3-82553-70	EXTENSION, WIRE LEAD CABLE		1			AP 4P,7M
	6R3-82553-80	EXTENSION, WIRE LEAD CABLE				1	AP 4P,8M
18	6R3-82553-30	EXTENSION, WIRE LEAD L=3000 CABLE				1	AP

61A0200-0360

FIG. 37 SWITCH. PANEL

PANEL DE INTERRUPTOR



REF. NO.	PART NO. CODIGO NO.	DESCRIPTION DESCRIPTION	ETO	ET	LETO	LET	REMARKS OBSERVACION
1	61B-82570-02	PANEL SWITCH ASSY INTERRUPTOR DE PANEL COMPL.			1	1	AP
2	61B-82588-01	.PLATE .PLACA			1	1	
3	61B-82551-01	.STOP SWITCH ASSY .INTERRUPT. DE PARADA COMPLTTO			1	1	
4	61B-82510-01	.MAIN SWITCH ASSY .CONJUNTO DE LLAVE IGNICION			2	2	
5	676-82577-00	..CAP. KEY .TAPA			1	1	
6	6K1-82575-00	.ENGINE STOP SWITCH ASSY ..INTERRUPTOR DE PARADA COMPL			1	1	
7	682-82556-00	..STOPPER ..RETENER			1	1	
8	6K1-83614-01	.BRACKET .SOPORTE			1	1	
9	98980-05010	.SCREW, BIND .TORNILLO DE LIGAR			2	2	
10	92990-05100	.WASHER, SPRING .ARANDELA			2	2	
11	95380-05600	.NUT .TUERCA			2	2	
12	6R5-83383-00	.BUZZER .ZUMBADOR			2	2	
13	61B-85830-00	.CONTROL UNIT ASSY .UNIDAD CONTROL			1	1	
14	98980-06020	.SCREW, BIND .TORNILLO DE LIGAR			2	2	
15	95380-06600	.NUT, HEXAGON .TUERCA			2	2	
16	92990-06100	.WASHER, SPRING .ARANDELA			2	2	
17	92990-06600	.WASHER, PLATE .ARANDELA			2	2	
18	6K1-8258A-40	EXTENSION, WIRE HARNESS EXTENSION, ARNES DE CABLES			1	1	AP
19	61B-8258A-01	EXTENSION, WIRE HARNESS EXTENSION, ARNES DE CABLES			1	1	AP
20	90149-05M05	SCREW TORNILLO DE REGLAJE			4	4	AP
21	95380-05600	NUT TUERCA			4	4	AP
22	92990-05600	WASHER, PLATE ARANDELA			4	4	AP
23	92990-05100	WASHER, SPRING ARANDELA			4	4	AP

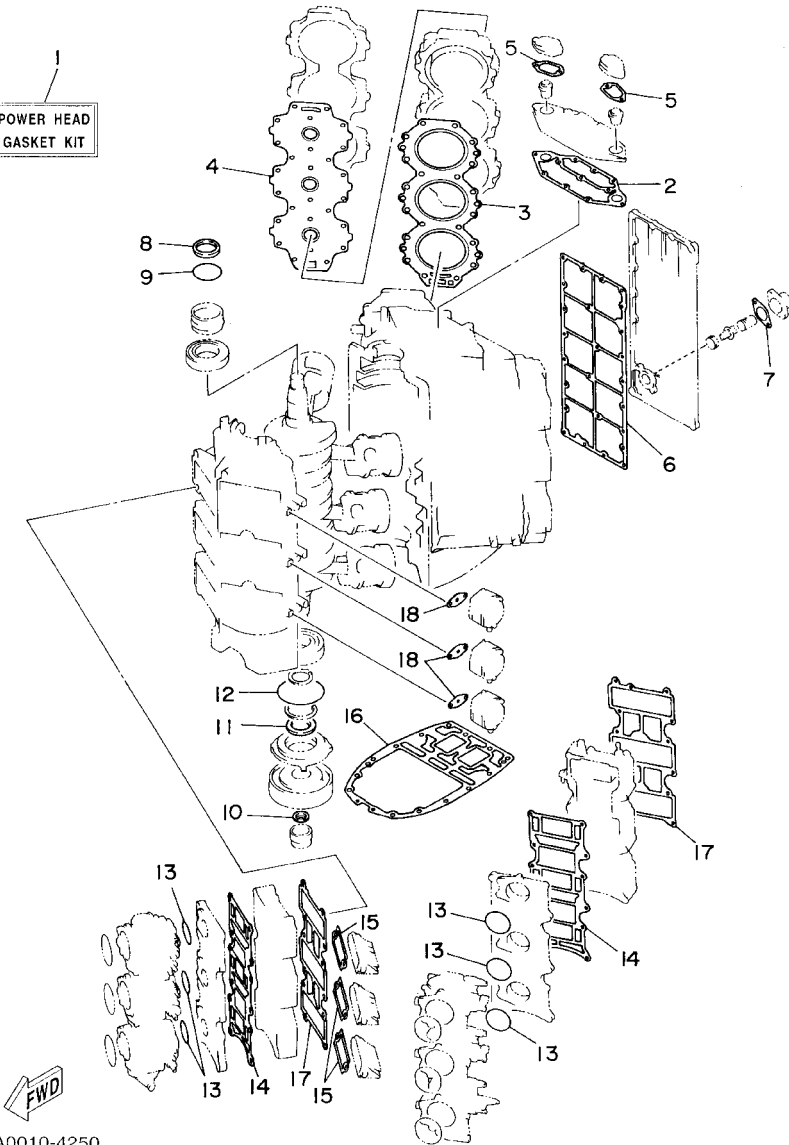


67H1100-2360

FIG. 38 REPAIR KIT 1

ESTUCHE REPARATION 1

1  
POWER HEAD  
GASKET KIT

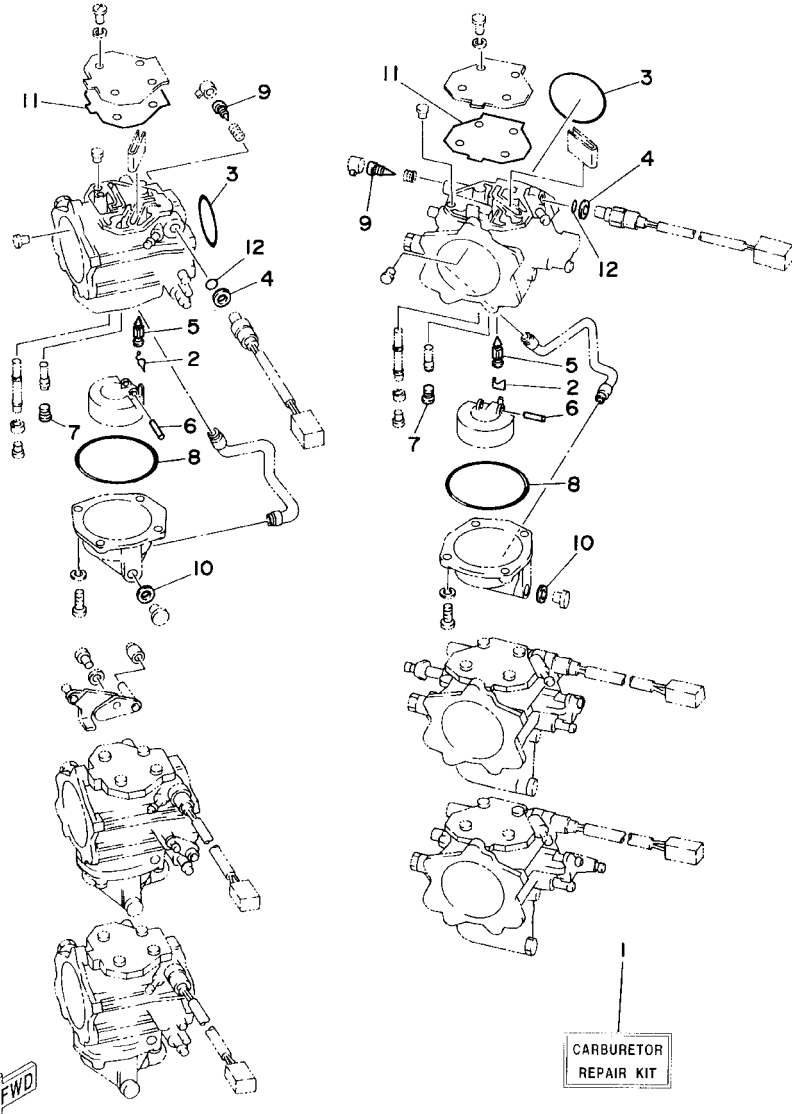


61A0010-4250

REF. NO.	PART NO. CODIGO NO.	DESCRIPTION DESCRIPTION	ETO	ET	LETO	LET	REMARKS OBSERVACION
1	61A-W0001-A3	POWER HEAD GASKET KIT JUEGO DE EMPAQUE DE MOTOR	1	1	1	1	
2	61A-11381-A0	.GASKET 1 .EMPAQUE 1	1	1	1	1	
3	69L-11181-00	.GASKET, CYLINDER HEAD 1 .JUNTA, DE CULATA 1	2	2	2	2	
4	61A-11193-A1	.GASKET, HEAD COVER 1 .EMPAQUE	2	2	2	2	
5	61A-12414-A0	.GASKET, COVER .EMPAQUE	2	2	2	2	
6	61A-41112-A0	.GASKET, EXHAUST INNER COVER .EMPAQUE	1	1	1	1	
7	6G5-11382-A1	.GASKET 2 .EMPAQUE 2	1	1	1	1	
8	93102-40M38	.OIL SEAL .SELLO ACEITE	1	1	1	1	
9	93210-54M54	.O-RING .ANILLO O	1	1	1	1	
10	93104-22M07	.OIL SEAL .SELLO ACEITE	1	1	1	1	
11	93102-40M36	.OIL SEAL .SELLO ACEITE	1	1	1	1	
12	93210-81MA6	.O-RING .ANILLO O	1	1	1	1	
13	93210-50MA8	.O-RING .ANILLO O	6	6	6	6	
14	61A-13645-00	.GASKET, MANIFOLD 1 .EMPAQUE	2	2	2	2	
15	61A-13621-A0	.GASKET, VALVE SEAT .JUNTA, DE VALV.DE EMPAQUE	6	6	6	6	
16	61A-45113-A0	.GASKET, UPPER CASING .EMPAQUE	1	1	1	1	
17	61A-13646-00	.GASKET, MANIFOLD 2 .EMPAQ. DE MULTIPLE 2	2	2	2	2	
18	650-24431-A0	.GASKET, FUEL PUMP 1 .EMPAQUE BOMBA COMBUST 1	3	3	3	3	

FIG. 39 REPAIR KIT 2

ESTUCHE REPARATION 2



REF. NO.	PART NO. CODIGO NO.	DESCRIPTION DESCRIPTION	ETO	ET	LETO	LET	REMARKS OBSERVACION
1	61A-W0093-01	CARBURETOR REPAIR KIT KIT REPARACION CARBURADOR	1	1	1	1	
2	6E5-14159-00	.CLIP .PRESILLA	1	1	1	1	
3	93210-50MA8	.O-RING .ANILLO O	1	1	1	1	
4	61A-14198-00	.GASKET .EMPAQUE	1	1	1	1	
5	6E5-14546-00	.VALVE, NEEDLE .VALVULA DE AGUJA	1	1	1	1	
6	61A-14386-00	.PIN, FLOAT .PASADOR DE BOIA	1	1	1	1	
7	61A-14394-00	.VALVE, DRAIN .VALVULA DE DRENAJE	1	1	1	1	
8	61A-14384-00	.GASKET, FLOAT CHAMBER .EMPAQUE DE CAMARA DE BOIA	1	1	1	1	
9	6E5-14323-03	.SCREW, AIR ADJUSTING .TORNILLO DE AJUSTE DE AIRE	1	1	1	1	
10	61A-14995-00	.GASKET .EMPAQUE	1	1	1	1	
11	61A-14959-00	.GASKET .EMPAQUE	1	1	1	1	
12	61A-14561-00	.O-RING .ANILLO O	1	1	1	1	

61A0010-4260

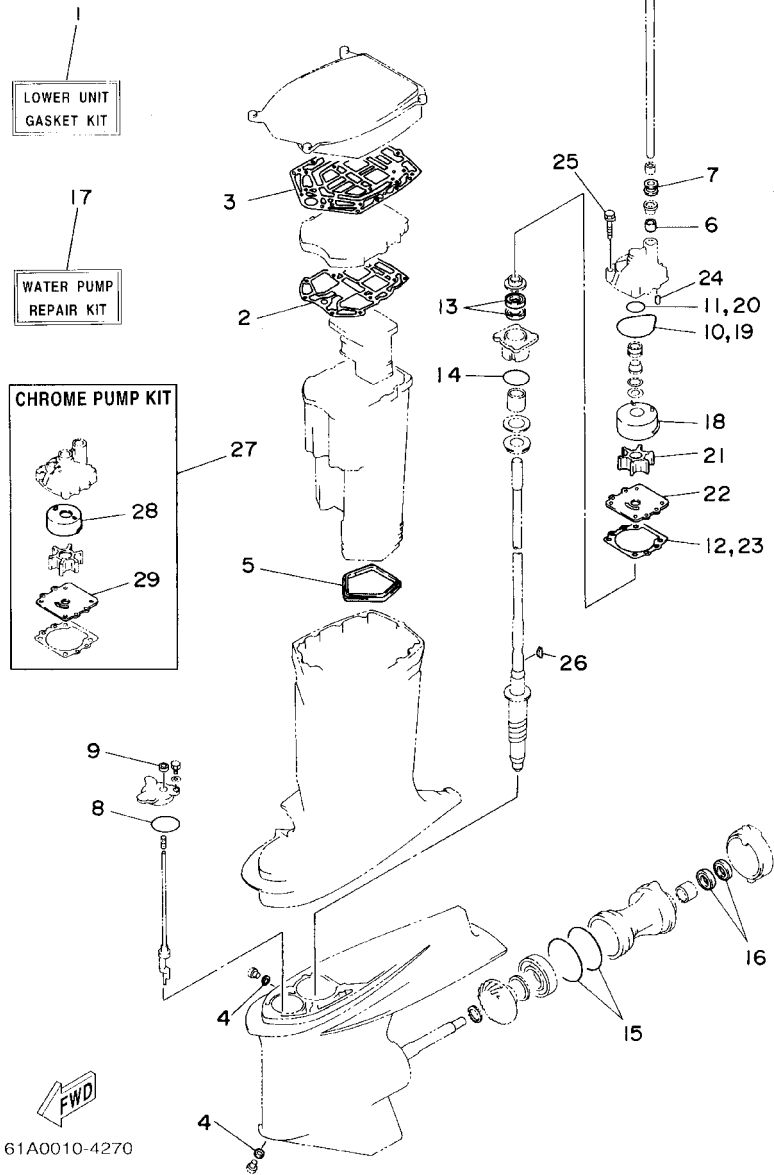
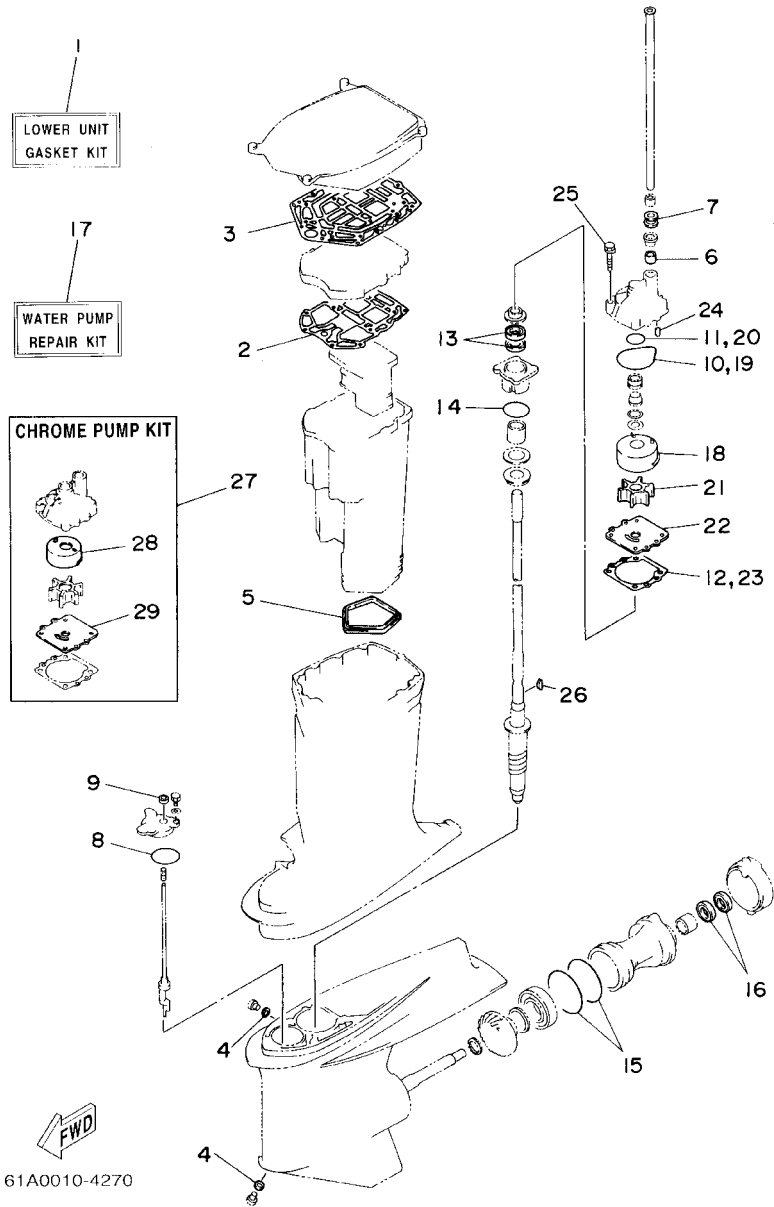


FIG. 40 REPAIR KIT 3

ESTUCHE REPARATION 3

REF. NO.	PART NO. CODIGO NO.	DESCRIPTION DESCRIPTION	ETO	ET	LETO	LET	REMARKS OBSERVACION
1	61A-W0001-C1	LOWER UNIT GASKET KIT JUEGO DE JUNTA UNIDAD INFERIOR	1	1	1	1	
2	61A-41134-A0	.GASKET, EXHAUST MANIFOLD .EMPAQUE	1	1	1	1	
3	61A-45114-A0	.GASKET, UPPER CASING .EMPAQUE	1	1	1	1	
4	90430-08020	.GASKET .JUNTA	2	2	2	2	
5	61A-45123-01	.GASKET, MUFFLER .EMPAQUE SILENCIADOR	1	1	1	1	
6	6E5-44365-00	.DAMPER, WATER SEAL .HULE DE SELLO DE AGUA	1	1	1	1	
7	6E5-44366-00	.DAMPER, WATER SEAL .GOMA DEL SELLO DE AGUA	1	1	1	1	
8	93210-64488	.O-RING .ANILLO O	1	1	1	1	
9	93106-09014	.OIL SEAL .SELLO ACEITE	1	1	1	1	
10	93210-86M38	.O-RING .ANILLO O	1	1	1	1	
11	93210-37160	.O-RING .ANILLO O	1	1	1	1	
12	6E5-44315-A0	.GASKET, WATER PUMP .EMPAQUE	1	1	1	1	
13	93101-28M16	.OIL SEAL .SELLO ACEITE	2	2	2	2	
14	93210-55M14	.O-RING .ANILLO O	1	1	1	1	
15	93211-04384	.O-RING .ANILLO O	2	2	2	2	
16	93101-30M17	.OIL SEAL .SELLO ACEITE	2	2	2	2	
17	61A-W0078-A3	WATER PUMP REPAIR KIT ESTUCHE REPARACION BOMBA AGUA	1	1	1	1	
18	61A-44322-02	.INSERT, CARTRIDGE .CARTUCHO	1	1	1	1	
19	93210-86M38	.O-RING .ANILLO O	1	1	1	1	
20	93210-37160	.O-RING .ANILLO O	1	1	1	1	
21	6E5-44352-01	.IMPELLER .IMPULSOR	1	1	1	1	
22	6G5-44323-00	.OUTER PLATE, CARTRIDGE .PLACA EXTERIOR DEL CARTUCHO	1	1	1	1	
23	6E5-44315-A0	.GASKET, WATER PUMP .EMPAQUE	1	1	1	1	
24	93606-12019	.PIN, DOWEL .PASADOR DE CLAVIJA	2	2	2	2	
25	90119-08M14	.BOLT, WITH WASHER .TORNILLO CON ARANDELA	4	4	4	4	
26	90280-04M05	.KEY, WOODRUFF .CUNA WOODRUFF	1	1	1	1	
27	61A-W0078-2A	CHROME PUMP KIT ESTUCHE REPARACION BOMBA AGUA	1	1	1	1	



61A0010-4270



FIG. 40 REPAIR KIT 3

ESTUCHE REPARATION 3

REF. NO.	PART NO. CODIGO NO.	DESCRIPTION DESCRIPTION	ETO	ET	LETO	LET	REMARKS OBSERVACION
28	6R3-44322-42	.INSERT, CARTRIDGE .CARTUCHO	1	1	1	1	
29	6G5-44323-40	.OUTER PLATE, CARTRIDGE .PLACA EXTERIOR DEL CARTUCHO	1	1	1	1	
-----							
-----							
-----							
-----							
-----							
-----							
-----							
-----							
-----							
-----							



NUMERICAL INDEX  
INDICE NUMERICO

PART NO. CODIGO NO.	REF. NO.	PART NO. CODIGO NO.	REF. NO.	PART NO. CODIGO NO.	REF. NO.	PART NO. CODIGO NO.	REF. NO.	PART NO. CODIGO NO.	REF. NO.	PART NO. CODIGO NO.	REF. NO.
61A-W0001-A3	38 - 1	61A-11633-02	3 - 23	6E5-14159-00	6 - 15	61A-1492E-5C	6 - 44	61A-24316-00	10 - 23	61A-24560-04	9 - 13
61A-W0001-C1	40 - 1	61A-11634-00	3 - 24		39 - 2	61A-1492E-5H	6 - 39	6G5-24317-01	9 - 30	61A-24563-00	9 - 18
65J-W0004-01	5 - 2	69L-11635-00	3 - 20	61A-14163-00	6 - 36	62J-1492E-79	6 - 19		9 - 68	61A-24564-00	9 - 16
61A-W0070-S1	1 - 22	69L-11636-00	3 - 20	61A-14198-00	6 - 38	62J-1492E-80	6 - 19	6E5-24319-01	8 - 23	61A-24566-00	9 - 23
61A-W0070-30	1 - 22	69L-11642-00-85	3 - 21		39 - 4	62J-1492E-81	6 - 19	6E5-24321-01	8 - 27	61A-24577-01	9 - 17
61A-W0078-A3	40 - 17	69L-11645-00	3 - 21	6E5-14223-00	6 - 26	61A-1492F-50	6 - 17	6E5-24322-00	8 - 20	6YJ-24610-01	29 - 2
61A-W0078-2A	40 - 27	69L-11646-00	3 - 21	61A-14298-00	6 - 40	61A-1492G-52	6 - 20	6E5-24323-00	8 - 13	6A1-28176-00	19 - 59
6Y5-W0080-12	36 - 1	61A-11650-00	3 - 25	61A-14301-06	6 - 2	61A-1492H-14	6 - 21	6Y1-24329-00	29 - 5	61A-41112-A0	4 - 15
61A-W0090-20-1S	2 - 1	6E5-12411-20	2 - 31	61A-14301-06	6 - 2	61A-14959-00	6 - 24	6E5-24351-51	11 - 3		38 - 6
61A-W0093-01	39 - 1	61A-12413-00-1S	2 - 32	61A-14302-S1	6 - 4		39 - 11		12 - 3	61A-41113-00-1S	4 - 13
656-W2810-02	8 - 44	61A-12413-10-1S	2 - 33	61A-14302-06	6 - 4	61A-14995-00	6 - 10		29 - 10	61A-41131-00-5B	24 - 25
62J-11111-01-1S	4 - 1	61A-12414-A0	2 - 34	61A-14303-S1	6 - 6		6 - 42	6Y2-24360-52	11 - 5	61A-41132-01-5B	24 - 28
6E5-11119-01	2 - 25		38 - 5	61A-14303-06	6 - 6		39 - 10		12 - 5	61A-41134-A0	24 - 29
69L-11181-00	4 - 2	6G5-12416-00	4 - 19	6E5-14321-00	6 - 27	61A-15100-06-1S	2 - 2		29 - 12		40 - 2
	38 - 3	6R3-12572-00	19 - 54	6E5-14323-03	6 - 25	61A-15100-13-1S	2 - 2	6G5-24377-00	9 - 29	61A-41137-03-94	24 - 18
61A-11191-00-1S	4 - 5	61A-12576-00	4 - 25		39 - 9	61A-15315-00	20 - 58	6R3-24377-00	9 - 3	61A-41137-12-94	24 - 18
61A-11193-A1	4 - 6	6R3-12580-00	19 - 55	6A0-14325-00	9 - 62	61A-15359-00-94	3 - 14		9 - 7	6G5-41211-01	20 - 15
	38 - 4	6G5-12581-00	2 - 19	6J8-14334-00	6 - 28	6A0-15789-00	22 - 25	61A-24377-00	9 - 72	61A-41211-01	5 - 33
6R3-1131M-01	2 - 11	61A-13117-00	7 - 22	61A-14381-01	6 - 11	61A-21708-03	8 - 17	6E5-24378-00	9 - 32	61A-41213-00	20 - 18
6J8-11325-00	4 - 8	6E5-13132-00	5 - 42	61A-14381-11	6 - 8	6E5-21733-02	8 - 18		9 - 75	61A-41217-01	5 - 25
61A-11325-00	2 - 20	6R3-13183-10	7 - 15	61A-14383-01	6 - 9	6E5-21734-01-33	8 - 34	650-24378-00	4 - 14	6H1-41237-00	7 - 26
6H3-11327-00-1S	2 - 22	62J-13200-00	7 - 1		6 - 41	6E5-21744-00	9 - 40		5 - 8	6H4-41237-00	5 - 36
	4 - 10	61A-13411-00	8 - 3	61A-14383-10	6 - 12	6E5-21746-00	8 - 36		5 - 12		20 - 17
6H3-11328-00	2 - 21	6E5-13414-00	8 - 4	61A-14384-00	6 - 7	61A-21750-00	8 - 1	688-24378-00	9 - 44	6J8-41237-00	5 - 34
	4 - 9	61A-13416-00	7 - 7		39 - 8	6E5-21770-03	8 - 19		10 - 20	61A-41237-00	7 - 24
61A-11371-00-1S	2 - 27	6E5-13437-62	8 - 43	61A-14385-00	6 - 13	6E5-21798-01-33	8 - 35	6E5-24379-00	8 - 10	61A-41242-00	5 - 27
6E5-11372-00	2 - 3	6R3-13471-00	7 - 2	61A-14386-00	6 - 16	6YJ-24167-00	29 - 7		8 - 14	61A-41280-00	5 - 28
	2 - 7	6L2-13475-00	7 - 3		39 - 6	6YJ-24201-10	29 - 1		8 - 28	61A-41632-00-1S	20 - 6
	5 - 7	61A-13552-00	5 - 16	61A-14394-00	6 - 18	646-24251-02	8 - 22	6R5-24408-00	9 - 10	61A-41663-00-1S	5 - 26
	5 - 11	65L-13610-01	5 - 1		39 - 7	6Y1-24260-12	29 - 3	6E5-24410-03	9 - 51	61A-42510-21-8D	22 - 5
6G5-11372-00-1S	4 - 23	61A-13621-A0	5 - 3	61A-1441K-01	5 - 39	6Y1-24268-00	29 - 6	6E5-24411-00	9 - 57	61A-42510-31-8D	22 - 5
6H1-11372-00	24 - 24		38 - 15	61A-14440-03	5 - 37	6Y2-24305-04	12 - 6	6E5-24412-10	9 - 64	624-42542-00	8 - 7
61A-11381-A0	2 - 29	61A-13624-20-1S	5 - 6	61A-14440-10	5 - 38		29 - 13	6E5-24413-00	9 - 54		10 - 3
	38 - 2	61A-13624-30-1S	5 - 10	624-14485-00	2 - 4	6Y2-24306-42	12 - 1	6A0-24421-01	9 - 61		16 - 2
6G5-11382-A1	4 - 22	61A-13641-00-1S	5 - 15		5 - 17		29 - 8	6E5-24423-00	9 - 59	61A-42610-T0-NA	1 - 1
	38 - 7	61A-13641-10-1S	5 - 15	61A-14488-00	13 - 19	6Y2-24307-41	11 - 1	648-24424-00	9 - 58	61A-42610-50-NA	1 - 1
6R3-11397-01	2 - 12	61A-13645-00	5 - 18	61A-14527-00	6 - 23	61A-24311-00	9 - 11	650-24431-A0	9 - 65	61A-42613-01-4D	1 - 12
61A-11411-00	3 - 1		38 - 14	6E5-14546-00	6 - 14		9 - 27		38 - 18	61A-42615-01	1 - 11
61A-11447-00	3 - 2	61A-13646-00	5 - 14		39 - 5		9 - 35	6E5-24434-02	9 - 60	61A-42619-02	1 - 9
663-11518-01	2 - 8		38 - 17	61A-14561-00	6 - 35	61A-24312-00	4 - 17	6E5-24435-00	9 - 56	61A-42626-00	1 - 15
61A-11536-00	3 - 8	61A-13910-01	10 - 5		39 - 12	61A-24313-00	9 - 5	61A-24469-00	9 - 19	61A-42627-02	1 - 10
61A-11537-00	7 - 20	61A-14100-S1	6 - 1	6K7-14573-00	17 - 13	61A-24314-00	16 - 29	61A-24470-01	10 - 35	61A-42636-00	1 - 16
61A-11555-01	3 - 12	61A-14100-06	6 - 1	6J8-14578-00	6 - 31	6A4-24315-00	10 - 11	6E5-24471-00	9 - 55	6R3-42647-00	1 - 2
61A-11586-01	3 - 11	61A-14101-S1	6 - 3	6J8-14592-01	6 - 29		10 - 26	61A-24491-00-94	10 - 1	6R3-42662-00	1 - 5
64D-11603-01	3 - 22	61A-14101-06	6 - 3	61A-14711-22-5B	24 - 32	6E5-24315-00	9 - 33	61A-24500-00	9 - 38	61A-4267A-S1	1 - 26
64D-11604-01	3 - 22	61A-14102-S1	6 - 5	61A-14721-30-5B	24 - 38		9 - 49	61A-24521-00	9 - 14	61A-42677-S1	1 - 25
64D-11605-01	3 - 22	61A-14102-06	6 - 5	6E5-14737-00	24 - 33	6G5-24315-00	9 - 48	65L-24531-01	9 - 15	61A-42681-S1	1 - 23
69L-11631-00-85	3 - 20	61A-14118-00	6 - 37	61A-1492A-01	6 - 22	61A-24315-00	10 - 33	65L-24558-00	9 - 20	61A-42681-30	1 - 23

NUMERICAL INDEX  
INDICE NUMERICO

PART NO. CODIGO NO.	REF. NO.	PART NO. CODIGO NO.	REF. NO.	PART NO. CODIGO NO.	REF. NO.	PART NO. CODIGO NO.	REF. NO.	PART NO. CODIGO NO.	REF. NO.	PART NO. CODIGO NO.	REF. NO.
61A-42682-S1	1 - 24	6G5-43148-00	21 - 36	6T4-4386J-00	23 - 77	6E5-44315-A0	27 - 33	663-45119-00	21 - 18	61A-45551-03	25 - 44
61A-42682-30	1 - 24	61A-43181-01	21 - 33	61A-4386K-00	23 - 85		40 - 12		21 - 29		27 - 46
61A-42683-A0	1 - 21	6G5-43185-02	21 - 34	6H1-43861-00	23 - 7		40 - 23	61A-45123-01	24 - 35	61A-45560-03	25 - 47
61A-42683-41	1 - 21	61A-43311-21-8D	21 - 27	61A-43861-00	23 - 4	6R3-44322-42	25 - 19		24 - 37	61B-45560-01	27 - 49
61A-42686-B0	1 - 19	61A-43311-31-8D	21 - 27		23 - 10		27 - 21		40 - 5	61A-45567-00-10	25 - 5
61A-42686-T0	1 - 19	61A-43376-00	22 - 3		23 - 65		40 - 28	61A-45155-00	24 - 4		27 - 7
61A-42687-S1	1 - 20	61A-43800-25-4D	23 - 1	61A-43864-00	23 - 68	61A-44322-02	25 - 19	61A-45214-00	26 - 10	61A-45567-00-12	25 - 5
61A-42687-30	1 - 20	6T4-43802-03	23 - 54	6H1-43866-00	23 - 55		27 - 21		28 - 10		27 - 7
61A-42711-05-8D	19 - 1	61A-43804-01	23 - 87	6H1-43867-00	23 - 56		40 - 18	61A-45215-00	26 - 11	61A-45567-00-15	25 - 5
61A-42716-00	19 - 40	61A-43805-01	23 - 88	6H1-43869-00	23 - 22	6G5-44323-00	25 - 30		28 - 11		27 - 7
61A-42717-00	19 - 41	61A-43806-00	23 - 84	61A-43871-00	23 - 5		27 - 32	6G5-45251-01	21 - 2	61A-45567-00-18	25 - 5
61A-42724-00	20 - 59	61A-43807-00	23 - 79	6H1-43872-00	23 - 8		40 - 22	61A-45300-23-8D	25 - 1		27 - 7
61A-42725-02	19 - 25	61A-43810-00	23 - 3	61A-43874-00	23 - 67	6G5-44323-40	25 - 30	61A-45300-32-8D	25 - 1	61A-45567-00-30	25 - 5
61A-42725-12	19 - 25	61A-43813-01	23 - 12	6H1-43875-00	23 - 35		27 - 32	61B-45300-23-8D	27 - 1		27 - 7
6H4-42726-00	19 - 39	6H1-43814-00	23 - 11	6H1-43875-00	23 - 61		40 - 29	61B-45300-32-8D	27 - 1	61A-45567-00-40	25 - 5
688-42726-10	19 - 38	6H1-43816-00	23 - 53	61A-43875-00	23 - 31	6E5-44352-01	25 - 24	61A-45301-03-8D	25 - 2		27 - 7
61A-42727-00	19 - 42	6H1-43817-00	23 - 18	61A-43875-10	23 - 69		27 - 26		27 - 2	61A-45567-00-50	25 - 5
61A-42738-02-5B	19 - 27	61A-43818-00	23 - 16	6T4-43876-00	23 - 38		40 - 21	6E5-45318-00	24 - 15		27 - 7
64D-42738-10-5B	19 - 28	61A-4382A-00	23 - 75	61A-43876-00	23 - 72	61A-44361-20	26 - 2	61A-45321-01	25 - 11	61B-45570-03	27 - 66
61A-42741-01-8D	19 - 43	61A-4382K-00	23 - 46	61A-43878-00	23 - 60		28 - 2		27 - 13	61A-45571-00	25 - 62
6E5-42761-00-1S	2 - 36	61A-43820-10	23 - 66	61A-43880-02	23 - 76	61A-44361-30	26 - 2	61A-45331-00-94	25 - 34	61A-45577-00-10	25 - 64
61A-42771-01-8D	19 - 44	61A-43821-00	23 - 63	61A-43881-01	23 - 91		28 - 2		27 - 36		27 - 68
6G5-42791-10	19 - 58	61A-43822-00	23 - 62	61A-43881-11	23 - 92	6E5-44365-00	25 - 22	61A-45332-02-94	25 - 60	61A-45577-00-12	25 - 64
6K7-42791-00	19 - 58	61A-43828-00	23 - 21	61A-43884-01	23 - 81		26 - 3	61B-45332-01-94	27 - 64		27 - 68
61A-42791-S0	24 - 2	6H1-43829-00	23 - 59	6T4-43885-00	23 - 80		27 - 24	688-45341-10	25 - 8	61A-45577-00-15	25 - 64
61A-42792-S0	24 - 3	61A-4383H-11	23 - 70	61A-43887-00	23 - 89		28 - 3		27 - 10		27 - 68
61A-42792-00	19 - 61	6T4-43830-00	23 - 45	61A-4389H-00	23 - 9		40 - 6	6E5-45344-00	25 - 40	61A-45577-00-18	25 - 64
6R3-42811-01	19 - 9	6H1-43831-00	23 - 44	61A-43891-00	23 - 86	6E5-44366-00	26 - 1		27 - 42		27 - 68
6R3-42811-10	19 - 13	61A-43833-01	23 - 15	6T4-43893-00	23 - 73		28 - 1	61A-45361-01-5B	25 - 70	61A-45577-00-30	25 - 64
6R3-42813-00	19 - 16	61A-43835-01	23 - 14	6T4-43895-00	23 - 51		40 - 7		27 - 79		27 - 68
6R3-42814-00	1 - 6	6H1-4384F-00	23 - 43	61A-44112-00	20 - 50	663-44366-00	25 - 6	61A-45371-00	26 - 14	61A-45577-00-40	25 - 64
61A-42815-01-8D	19 - 3	6T4-4384G-00	23 - 49	61A-44116-00	20 - 44		27 - 8		28 - 14		27 - 68
6R3-42816-00	19 - 10	61A-4384H-10	23 - 71	61A-44117-01-1S	20 - 22	6E5-44391-00	19 - 24	61A-45375-00	26 - 9	61A-45577-00-50	25 - 64
6R3-42824-00	19 - 8	61A-4384J-00	23 - 28	682-44117-00	19 - 15		28 - 9		28 - 9		27 - 68
6N7-42828-00	19 - 19	61A-4384K-00	23 - 27	61A-44118-00-8D	20 - 42	61A-44511-00-94	22 - 33	61A-45376-00-94	25 - 10	6K1-45578-01-10	27 - 70
6R3-42828-00	19 - 20	61A-4384L-00	23 - 23	61A-44120-22	20 - 48	61A-44514-00-94	22 - 26		27 - 12	6K1-45578-01-12	27 - 70
6N7-42841-00	19 - 23	61A-43840-01	23 - 2	61A-44120-32	20 - 48	6G5-44526-00	21 - 3		27 - 10	6K1-45578-01-15	27 - 70
6R3-42850-10	19 - 11	6T4-43841-00	23 - 57	61A-44121-00	20 - 36	68F-44533-00	2 - 38	61A-45378-00	24 - 9	6K1-45578-01-18	27 - 70
61A-42850-01	19 - 12	6T4-43844-00	23 - 48	6E5-44122-00	20 - 37	61A-44551-01-8D	22 - 10	61B-45383-00	27 - 73	6K1-45578-01-30	27 - 70
61A-42850-20	19 - 14	61A-43845-00	23 - 34	61A-44138-00	20 - 60	61A-44552-01-94	22 - 21	61B-45384-00	27 - 72	6K1-45578-01-40	27 - 70
61A-43111-23-8D	21 - 1	61A-43847-00	23 - 37	61A-44150-01	25 - 15	61A-44553-00-8D	22 - 24	61A-45501-20	25 - 43	6K1-45578-01-50	27 - 70
61A-43112-23-8D	21 - 14	61A-43848-00	23 - 32	61B-44150-00	27 - 17	61A-44555-01-94	22 - 13		27 - 45		27 - 70
6E5-43126-02	21 - 41	6T4-43849-00	23 - 41	61A-44176-00-1S	20 - 25	61A-44575-00	22 - 12	61A-45501-30	25 - 43	61A-45587-00-10	25 - 37
6R3-43131-00	21 - 19	61A-4385H-00	23 - 42	61A-44311-01	25 - 18	61A-45111-21-8D	24 - 1		27 - 45		27 - 39
61A-43132-00	21 - 12	6T4-43851-00	23 - 24		27 - 20	61A-45111-31-8D	24 - 1	61A-45527-00	25 - 27	61A-45587-00-12	25 - 37
61A-43133-00	21 - 15	61A-43854-00	23 - 33		27 - 20	61A-45113-A0	24 - 20		27 - 29		27 - 39
6G5-43144-00	21 - 31	6T4-43855-00	23 - 50	6E5-44312-00	25 - 23		38 - 16	61A-45538-00	25 - 26	61A-45587-00-15	25 - 37
6E5-43145-01	30 - 8	6H1-43856-10	23 - 47		27 - 25		40 - 3		27 - 28		27 - 39
				6E5-44315-A0	25 - 31			61B-45538-01	27 - 4	61A-45587-00-18	25 - 37

NUMERICAL INDEX  
INDICE NUMERICO

PART NO. CODIGO NO.	REF. NO.	PART NO. CODIGO NO.	REF. NO.	PART NO. CODIGO NO.	REF. NO.	PART NO. CODIGO NO.	REF. NO.	PART NO. CODIGO NO.	REF. NO.	PART NO. CODIGO NO.	REF. NO.
61A-45587-00-18	27 - 39	6E5-45987-01	26 - 16	704-48229-10	34 - 68	704-48285-00	34 - 74	61A-81919-00	16 - 37	703-82540-00	33 - 50
61A-45587-00-30	25 - 37		28 - 16	EL8-48231-00	34 - 27	704-48286-00	34 - 75	61A-81919-41	16 - 36	704-82540-10	34 - 11
	27 - 39	688-45997-01	26 - 17	EL8-48232-00	34 - 45	701-48287-00	33 - 42	6E5-81922-00	8 - 26	703-82542-00	33 - 63
61A-45587-00-40	25 - 37		28 - 17	703-48232-00	33 - 62	704-48287-00	34 - 22	61A-81941-00	16 - 14	61B-82551-01	37 - 3
	27 - 39	704-48119-20	34 - 78	EL8-48233-00	34 - 60	703-48291-10	33 - 39	61A-81942-00	16 - 31	6R3-82553-30	35 - 20
61A-45587-00-50	25 - 37	EL8-48127-00	34 - 25	EL8-48234-00	34 - 55	703-48293-10	33 - 41	61A-81948-00	16 - 1		36 - 18
	27 - 39	704-48128-00	34 - 71	703-48234-00	33 - 18	701-48320-70	32 - 3	61A-81949-00	16 - 12	6R3-82553-70	35 - 19
61A-45611-02	25 - 48	6A5-48129-10	34 - 12	703-48235-00	33 - 4	701-48320-80	32 - 3	61A-81949-10	16 - 11		36 - 17
61B-45611-01	27 - 50	704-48144-00	34 - 57		34 - 61	701-48320-90	32 - 3	61A-81950-00	16 - 7	6R3-82553-80	35 - 19
61B-45611-20	27 - 52	703-48152-00	33 - 57	703-48236-00	33 - 16	6E5-48344-00	20 - 8	704-81950-00	34 - 66		36 - 17
61A-45631-03	25 - 52	EL8-48153-10	34 - 63	703-48238-00	33 - 22		20 - 40	61A-81952-00	16 - 15	682-82556-00	33 - 48
	27 - 56	703-48153-00	33 - 3		34 - 44	703-48345-01	33 - 19	61A-81960-02	16 - 22		37 - 7
61A-45632-00	25 - 51	704-48156-00	34 - 72	EL8-48241-00	34 - 28		34 - 21	69J-81972-01-1S	16 - 24	61A-82560-00	17 - 6
	27 - 55	EL8-48158-00	34 - 31	704-48242-00	34 - 47	701-48350-00	32 - 3	69J-81975-A0	16 - 23	61A-82563-00	15 - 14
61A-45633-00	25 - 53	EL8-48164-00	34 - 46	703-48243-00	33 - 15	703-48358-00	33 - 20	61A-82105-00	15 - 13	703-82563-02	33 - 55
	27 - 57	704-48166-00	34 - 64	EL8-48244-00	34 - 34		34 - 26	6Y5-82117-00	35 - 17	704-82563-E0	34 - 69
61A-45634-01	25 - 50	704-48176-10	34 - 58	703-48244-00	33 - 21	61A-48531-00	20 - 1		36 - 16	704-82563-F0	34 - 73
	27 - 54	704-48178-00	34 - 76	EL8-48245-00	34 - 35	6E5-48538-00	20 - 2	61A-82117-00	16 - 35	704-82563-31	34 - 39
61A-45635-00	25 - 55	703-48189-00	33 - 17	703-48245-00	33 - 11	6E5-61301-01	31 - 1	6A0-82119-00	15 - 21	6E3-8257H-00	19 - 60
	27 - 59	EL8-48191-00	34 - 18	701-48246-00	34 - 5	6E5-61303-00	31 - 5	6G5-82119-00	16 - 13	61B-82570-02	37 - 1
61A-45641-01	25 - 49	703-48192-00	34 - 59	703-48246-00	33 - 23	6E5-61311-11	31 - 3	61A-82147-20	21 - 30	6K1-82575-00	37 - 6
61B-45641-00	27 - 53	704-48192-00	34 - 49	701-48248-00	33 - 13	6E5-61313-00	31 - 2	61A-82147-30	21 - 30	688-82575-01	33 - 47
6H1-45668-00	25 - 54	704-48193-00	34 - 54		34 - 43	6E5-61315-00	31 - 4	6E5-82148-00	21 - 9	676-82577-00	33 - 45
	27 - 58	703-48198-00	33 - 14	EL8-48251-00	34 - 3	6E5-61350-02	30 - 1	6H1-82148-00	21 - 6		37 - 5
6G5-45970-02-98	26 - 21	703-48205-A4	32 - 1	703-48252-00	33 - 12	6E5-61351-01	30 - 2	6E5-82149-00	22 - 16	6K1-8258A-40	37 - 18
6K1-45970-01-98	28 - 21		33 - 1	EL8-48254-00	34 - 29	6E5-61355-00	30 - 5	61A-82150-00	16 - 19	61B-8258A-01	37 - 19
6R1-45970-A0	28 - 21	704-48207-23	32 - 2	EL8-48259-00	34 - 7	6E5-81332-00	13 - 14	1E6-82151-00	35 - 16	688-8258A-20	33 - 49
6R4-45970-A0	26 - 21		34 - 1	703-48261-01	33 - 2	61A-81337-01	13 - 17		36 - 15	6R5-82582-A0	15 - 19
6G5-45972-02-98	26 - 21	703-48211-01	33 - 61	704-48261-00	34 - 17	61A-81800-01	18 - 1	61A-82151-00	16 - 20	6R5-82582-B0	15 - 20
6K1-45972-01-98	28 - 21	703-48212-00	33 - 58	704-48262-00	34 - 8	6K7-81801-10	18 - 6	663-82151-00	15 - 9	6R5-82582-00	15 - 18
6R1-45972-A0	28 - 21	703-48213-00	33 - 59	702-48263-00	34 - 52	61A-81807-00	18 - 10	61A-82153-00	16 - 21	6E5-82587-00	15 - 15
6R4-45972-A0	26 - 21	703-48215-00	33 - 43	703-48264-00	33 - 6	61A-81809-00	18 - 4	61A-82154-01	16 - 33	6E5-82588-00	19 - 50
61A-45972-00-98	26 - 21	704-48215-10	34 - 14	704-48264-00	34 - 9	6K7-81810-10	18 - 5	61A-82171-00	16 - 17	61A-82588-00	20 - 33
61B-45972-00-98	28 - 21	703-48218-00	33 - 64	703-48265-00	33 - 9	6E5-81813-10	18 - 8	61A-82176-00	16 - 34	61B-82588-01	37 - 2
6G5-45974-03-98	26 - 21	703-48219-00	33 - 30	704-48265-00	34 - 4	6E5-8182A-10	18 - 16	6A0-82317-00	8 - 6	6R3-8259E-00	8 - 9
6K1-45974-02-98	28 - 21	704-48219-00	34 - 56	704-48266-00	34 - 10	6E5-8182E-10	18 - 14		10 - 2	61A-8259F-00	20 - 32
6R1-45974-A0	28 - 21	703-48221-00	33 - 56	703-48268-00	33 - 5	6E5-8182F-10	18 - 15		16 - 3	61A-82590-10	15 - 8
6R4-45974-A0	26 - 21	704-48221-00	34 - 77	EL8-48271-00	34 - 24	6K7-8182G-10	18 - 18	663-82317-01	13 - 18	704-82590-10	34 - 67
61A-45974-00-98	26 - 21	703-48222-00	33 - 27	703-48271-00	33 - 60	6E5-8182K-10	18 - 17	6E3-82370-21	15 - 4	61A-82591-00	33 - 53
61B-45974-00-98	28 - 21	704-48222-00	34 - 36	EL8-48279-00	34 - 53	61A-81820-00	18 - 9	61B-82510-01	37 - 4	703-82592-00	33 - 54
6R1-45976-A0	28 - 21	703-48223-00	33 - 28	EL8-48281-00	34 - 13	61A-81822-00-94	18 - 19	703-82510-12	33 - 44	6E5-82594-00	19 - 49
6R4-45976-A0	26 - 21	703-48225-00	33 - 29	703-48281-00	33 - 31	61A-81824-00	18 - 3	6G0-82519-00	14 - 20	688-82594-00	19 - 53
6G5-45978-03-98	26 - 21	704-48225-00	34 - 48	704-48281-00	34 - 15	6K7-81826-10	18 - 13	61A-82519-00	14 - 19	703-82594-00	33 - 25
6K1-45978-02-98	28 - 21	703-48226-00	33 - 26	703-48282-00	33 - 32	61A-81830-00	18 - 12	61A-8252U-00	17 - 7	704-82594-00	34 - 37
6R1-45978-A0	28 - 21	703-48227-00	33 - 24	704-48282-00	34 - 62	61A-81840-00	18 - 7	6R3-82521-70	35 - 18	6R5-83383-00	37 - 12
6R4-45978-A0	26 - 21	704-48228-00	34 - 38	704-48283-00	34 - 19	61A-81850-01	18 - 2	6R3-82521-80	35 - 18	703-83383-A0	33 - 51
61A-45978-00-98	26 - 21	704-48228-10	34 - 70	703-48284-00	33 - 52	61H-81857-00	18 - 11	61A-82531-00	15 - 5	6Y5-8350T-01	35 - 1
61B-45978-00-98	28 - 21	704-48229-00	34 - 40	704-48284-00	34 - 65	6E5-81900-01	8 - 25	703-82531-00	33 - 46	6Y5-83500-S5	35 - 6

NUMERICAL INDEX  
INDICE NUMERICO

PART NO. CODIGO NO.	REF. NO.	PART NO. CODIGO NO.	REF. NO.	PART NO. CODIGO NO.	REF. NO.	PART NO. CODIGO NO.	REF. NO.	PART NO. CODIGO NO.	REF. NO.	PART NO. CODIGO NO.	REF. NO.
6Y5-83514-00	36-6	61A-85895-00	17-4	90152-05M08	26-12	90201-31M00	25-63	90430-14115	2-10	90464-13M34	10-11
6Y5-83517-00	36-3	61A-86120-00	6-34		28-12	90201-40M00	22-6	90445-05M02	8-5	90465-05M87	15-11
6Y5-83518-00	36-10	6Y5-87122-S0	35-14	90157-05107	23-78	90202-05088	7-28	90445-07MF0	24-12	90465-06M86	2-28
6Y5-83523-00	36-5	61A-87149-00	16-6	90159-06M03	14-18	90202-06007	20-41	90445-07M07	7-17		16-8
6Y5-83533-T2	35-10	9E450-04433	35-2	90159-06M16	5-45	90202-08M20	20-38	90445-07M11	2-16		18-26
6Y5-83536-00	36-11	9E450-04533	35-3	90169-05M00	16-32	90202-08M41	5-31	90445-07M20	5-9	90465-08M89	15-10
6Y5-83536-10	36-4	90101-09M70	31-9		19-2	90202-28M46	22-28	90445-07M21	24-12	90465-11M10	6-43
6Y5-83540-14	36-2	90101-12M05	21-45	90170-09M05	31-10	90202-32M19	22-14	90445-07M44	5-44		7-8
6Y5-83544-00	36-12	90105-06M55	5-24	90170-14M06	31-6	90202-40M47	22-9	90445-07M45	5-13		8-12
6Y5-83553-M0	35-15	90105-08M48	25-68	90170-16M19	25-46	90206-10M04	20-20	90445-07M72	7-10		8-15
6Y5-83553-00	35-15		27-77		27-48	90206-12M00	20-12		7-13		8-21
	36-14	90105-10M00	26-15	90170-24M22	13-12	90206-13M10	19-5	90445-07M77	7-9		8-24
6Y5-83557-00	35-21		28-15	90171-18M04	26-19	90206-14086	23-82		7-12		8-30
6Y5-83557-31	35-11	90105-10M62	2-17		28-19	90206-22M19	25-29	90445-07M87	7-16		9-1
6E5-83558-00	24-13	90109-06M40	7-6	90179-06M24	1-14		27-31	90445-07196	7-11		9-6
6Y5-83570-S5	35-7	90109-06M50	19-7	90183-02M03	25-57	90209-06M05	5-46		7-14		9-8
6K1-83614-01	37-8	90109-09001	3-26		27-61	90249-06M19	21-37	90445-07254	5-41		9-9
61A-83614-00	15-16	90109-14M10	22-30	90183-05M02	24-34	90280-04M05	25-25	90445-07258	5-43		9-12
6K1-83623-41	13-21	90109-14M48	22-17	90185-05002	26-13		27-27	90445-10M14	10-15		9-28
6A1-83625-41	13-20	90119-06MA2	2-30		28-13		40-26	90445-10M16	10-30		9-31
688-83664-00	36-13		2-37	90185-09M01	30-6	90280-05015	13-11	90445-10M17	9-39		9-34
6Y5-83670-12	36-9		4-24		31-11	90340-08002	25-7		9-45		9-36
61A-83672-02	22-1	90119-06MA3	4-16	90185-14M00	22-31		27-9	90445-10M31	10-13		9-37
61A-83721-00	13-4	90119-06MA5	2-35	90185-22M11	21-22	90340-14M00	2-9	90445-10M34	9-42		9-41
6Y5-83728-00	35-12		4-7	90201-02M00	25-56	90383-16M01	2-6	90445-10M40	10-17		9-43
65L-85510-10	13-2	90119-06M10	25-14		27-60	90384-06M07	2-5	90445-10M53	10-21		9-46
663-85518-00	20-7		27-16	90201-05M03	17-21	90385-04M05	1-13	90445-10M92	10-38		9-47
61A-85525-00	14-11	90119-06M13	2-18	90201-06M30	19-6	90386-10M16	21-35	90445-11M26	8-29		9-50
61A-85537-00	14-17	90119-06M17	24-10	90201-06068	9-22	90386-12069	20-13	90445-11M36	19-56		9-70
62J-85540-02	14-7	90119-06M28	14-4	90201-08M54	19-35		20-27	90445-12M04	8-11		9-71
61A-85542-01-94	14-1	90119-06M65	8-8	90201-09M01	7-21	90386-13M88	19-4	90445-13M01	11-2		9-74
61A-85548-00	14-10		10-4	90201-09M02	20-57	90386-18M14	21-43		12-2		9-77
61A-85550-01	13-1		16-4	90201-10M20	30-7		23-17		29-9		9-79
61A-85570-00	15-1	90119-08MA3	2-26	90201-10M76	31-8	90386-18M63	21-42	90445-13M02	9-76		9-81
61A-85580-01	13-3	90119-08MA5	4-3	90201-12M05	21-47	90386-25M31	21-20	90445-13M11	9-80		9-82
6E5-85711-40	8-41	90119-08M14	25-33	90201-13M01	21-46	90386-39M89	22-7	90445-13M12	9-78		10-12
6E5-85711-60	8-41		27-35	90201-15M58	22-18	90386-90M90	20-55	90445-13M14	9-73		10-14
61A-85711-41	8-42		40-25	90201-16M00	25-45	90387-05M00	17-16	90445-13M17	9-2		10-16
61A-85711-61	8-42	90119-08M22	19-37		27-47	90387-06M03	14-3	90445-13M31	9-69		10-18
61A-85711-80	13-22	90119-08M74	24-36	90201-16M01	22-27	90387-06M29	20-19	90445-13M35	12-4		10-19
6E5-85720-04	8-32	90119-08M76	18-20	90201-16M55	22-15	90387-08M09	20-28		29-11		10-22
6R3-85721-80	8-33	90119-08M77	18-21	90201-22M01	25-28	90387-08M16	20-14	90450-10M07	11-6		10-24
61A-85730-01	8-2	90119-08M78	24-8		27-30	90387-08M37	19-34		12-8		10-25
61A-85780-00	17-1	90119-08M79	24-21	90201-25M02	13-13	90387-10M02	21-38	90464-07M05	7-5		10-27
61A-85790-00	17-2	90119-08M99	4-4	90201-26M03	3-28	90387-10M61	30-3		7-18		10-28
61B-85830-00	37-13	90119-10MA2	26-8	90201-26M59	21-21	90430-08020	25-9	90464-11M24	10-29		10-31
61A-85885-00	17-10		28-8	90201-28M01	22-29		27-11	90464-13M34	8-16		10-32
61A-85886-00	17-14	90149-05M05	37-20	90201-29M01	27-51		40-4		9-4		10-34

NUMERICAL INDEX  
INDICE NUMERICO

PART NO. CODIGO NO.	REF. NO.	PART NO. CODIGO NO.	REF. NO.	PART NO. CODIGO NO.	REF. NO.	PART NO. CODIGO NO.	REF. NO.	PART NO. CODIGO NO.	REF. NO.	PART NO. CODIGO NO.	REF. NO.
90465-11M10	10 - 39	92903-06600	5 - 20	92995-06600	14 - 14	93102-40M38	3 - 4	93300-60820	23 - 83	93700-06M03	21 - 28
	10 - 40		5 - 22		14 - 22		38 - 8		23 - 93	93700-09M00	25 - 69
	17 - 9		13 - 7		15 - 7	93104-22M07	3 - 13	93306-209U1	3 - 6		27 - 78
	19 - 57		14 - 6		18 - 25		38 - 10	93306-210U0	25 - 61	94702-00247	4 - 27
	21 - 23		14 - 9		19 - 18	93106-09014	25 - 13	93306-308U0	3 - 9	94702-00309	4 - 27
	24 - 14		14 - 16		19 - 22		27 - 15	93310-326V4	3 - 27	95313-08600	20 - 54
	35 - 13		15 - 3		19 - 30		40 - 9	93310-840V8	3 - 29	95380-03600	9 - 63
	35 - 22		15 - 12		19 - 32	93106-19N50	23 - 6	93310-959U0	3 - 7	95380-04600	35 - 5
90465-13M11	8 - 40		16 - 10		19 - 46	93210-06001	23 - 40	93311-832V2	25 - 3		35 - 9
90465-13M18	4 - 26		16 - 26		19 - 48	93210-064A5	23 - 29		27 - 3	95380-05600	5 - 35
90465-13M30	19 - 26		16 - 28		19 - 52	93210-07003	23 - 39	93311-940V0	3 - 3		7 - 25
90467-08004	4 - 18		20 - 53		20 - 24	93210-08287	12 - 7	93315-430U8	27 - 67		20 - 16
	16 - 30	92990-04100	35 - 4		20 - 47		29 - 14	93315-440V6	27 - 71		33 - 7
90468-07M02	7 - 19		35 - 8		21 - 5	93210-09165	20 - 49	93315-660W3	27 - 5		34 - 23
90468-18008	20 - 9	92990-04600	1 - 17		21 - 8		23 - 58	93317-330U2	25 - 36		36 - 7
	20 - 39	92990-05100	36 - 8		21 - 11		23 - 95		27 - 38		37 - 11
90480-06M19	8 - 31		37 - 10		24 - 6	93210-10M74	23 - 52	93317-330U5	25 - 65		37 - 21
	11 - 4		37 - 23		24 - 40	93210-16275	30 - 9		27 - 74	95380-06600	1 - 4
	19 - 2	92990-05300	34 - 41	92995-08100	20 - 5	93210-18MA9	7 - 23	93332-000W1	25 - 4		5 - 29
90480-09M12	14 - 2	92990-05600	5 - 5	92995-08200	20 - 30	93210-18397	23 - 36	93332-000W2	27 - 65		8 - 39
90480-10M23	17 - 17		6 - 30	92995-08600	10 - 7	93210-19M82	7 - 4	93341-440U5	27 - 69		33 - 40
90480-20M05	4 - 21		37 - 22		18 - 23	93210-35321	22 - 8	93341-670V0	27 - 6		34 - 42
90480-22M81	19 - 33	92990-06100	1 - 3		24 - 23	93210-37160	25 - 21	93341-930U9	25 - 38		37 - 15
90501-10M77	25 - 58		5 - 30		24 - 27		27 - 23		27 - 40	95380-12600	21 - 48
	27 - 62		37 - 16		24 - 31		40 - 11	93410-18M02	21 - 44	95380-14700	31 - 7
90501-11M10	25 - 17	92990-06300	34 - 51		25 - 42		40 - 20	93410-37M04	22 - 11	95380-14800	22 - 19
	27 - 19	92990-06600	8 - 38		25 - 72	93210-50MA8	5 - 23	93410-40M03	3 - 10	95780-10300	22 - 4
90501-16M11	4 - 20		37 - 17		27 - 44		38 - 13	93420-36M01	24 - 16	97013-06012	20 - 51
90506-14M24	21 - 40	92990-08200	20 - 11		27 - 81		39 - 3	93420-61M07	3 - 16	97013-06014	14 - 15
90508-20M31	20 - 31	92990-08600	33 - 34	92995-10100	21 - 25	93210-54M54	3 - 5	93430-06024	33 - 10		16 - 5
90560-12M01	30 - 4	92990-10600	17 - 3		26 - 6		38 - 9		34 - 6	97013-06016	2 - 13
91490-12012	7 - 27	92990-18200	26 - 18		28 - 6	93210-55M14	25 - 39	93501-04011	25 - 59		2 - 23
91490-20012	20 - 56		28 - 18	92995-10600	21 - 26		27 - 41		27 - 63		4 - 11
91490-40030	26 - 20	92995-04100	20 - 35		22 - 23		40 - 14	93501-08001	23 - 74		14 - 5
	28 - 20	92995-05100	13 - 9		22 - 35	93210-60ME8	5 - 40	93505-32038	23 - 30	97013-06020	15 - 2
91609-10014	23 - 64		17 - 19		26 - 7	93210-64488	25 - 12	93606-12019	24 - 11	97013-06025	14 - 8
91690-30012	20 - 3	92995-05600	13 - 10		28 - 7		27 - 14		25 - 32		16 - 25
91690-30016	17 - 15		17 - 12	92995-14600	22 - 20		40 - 8		27 - 34	97013-06030	16 - 9
91690-30020	21 - 39		17 - 20		22 - 32	93210-72789	23 - 90		40 - 24		16 - 27
92780-06020	34 - 30	92995-06100	3 - 19	93101-28M16	25 - 35	93210-81MA6	3 - 17	93608-12M05	24 - 7	97013-06035	13 - 5
92901-04100	23 - 20		14 - 13		27 - 37		38 - 12		24 - 19	97013-06065	5 - 21
92901-05100	23 - 26		20 - 46		40 - 13	93210-86M38	25 - 20		26 - 4	97013-06070	5 - 19
92903-05600	9 - 53	92995-06600	1 - 8	93101-30M17	25 - 66		27 - 22		28 - 4	97013-08045	20 - 10
92903-06100	13 - 6		9 - 26		27 - 75		40 - 10	93608-12063	2 - 15	97075-08035	19 - 36
	20 - 52		9 - 67		40 - 16		40 - 19	93700-06M01	20 - 26	97080-06012	17 - 8
92903-06600	2 - 14		10 - 9	93102-08414	23 - 94	93211-04384	25 - 67	93700-06M03	5 - 32	97080-06100	8 - 37
	2 - 24		10 - 37	93102-40M36	3 - 15		27 - 76		20 - 43	97095-06010	19 - 21
	4 - 12		13 - 16		38 - 11		40 - 15		21 - 17		21 - 7

NUMERICAL INDEX  
INDICE NUMERICO

PART NO. CODIGO NO.	REF. NO.	PART NO. CODIGO NO.	REF. NO.	PART NO. CODIGO NO.	REF. NO.	PART NO. CODIGO NO.	REF. NO.	PART NO. CODIGO NO.	REF. NO.
97095-06010	21 - 32	97780-50612	16 - 18						
	24 - 5	97880-05016	5 - 4						
97095-06012	1 - 7	97885-04016	20 - 34						
	14 - 21	97885-05010	17 - 11						
	15 - 6	97885-05012	17 - 5						
	15 - 17	97885-05025	17 - 18						
	18 - 24	97885-05030	13 - 8						
	19 - 31	97885-06008	20 - 61						
97095-06014	10 - 8	97885-06010	13 - 15						
97095-06016	9 - 25		21 - 13						
	14 - 12		21 - 16						
	19 - 17	97885-06012	21 - 10						
	19 - 29	97885-06016	22 - 2						
	20 - 23	97890-05016	34 - 2						
97095-06020	3 - 18	97890-05025	34 - 16						
	19 - 47	97890-06018	34 - 50						
	19 - 51	97980-05108	6 - 33						
97095-06025	20 - 21	97980-05116	6 - 32						
	21 - 4	98501-04030	23 - 19						
97095-06030	19 - 45	98501-05010	23 - 25						
	20 - 45	98503-05035	9 - 52						
97095-06035	10 - 36	98580-03015	33 - 38						
	24 - 39	98580-04006	33 - 36						
97095-06050	9 - 66		34 - 32						
97095-08014	10 - 6	98580-04010	33 - 35						
97095-08016	18 - 22	98580-05010	33 - 37						
97095-08020	20 - 4	98586-05016	29 - 4						
	25 - 71	98780-05018	34 - 33						
	27 - 80	98980-05010	37 - 9						
97095-08025	25 - 41	98980-06020	37 - 14						
	27 - 43	99001-08600	25 - 16						
97095-08035	20 - 29		27 - 18						
	24 - 22								
	24 - 26								
97095-08050	24 - 30								
97095-10045	21 - 24								
	22 - 22								
	22 - 34								
	26 - 5								
	28 - 5								
97380-05025	33 - 8								
97380-06018	34 - 20								
97380-08030	33 - 33								
97595-06416	9 - 21								
97595-06420	23 - 13								
97595-06514	9 - 24								
97780-40520	1 - 18								
97780-50612	16 - 16								

250A/L250A  
PARTS CATALOGUE  
©2001 by Yamaha Motor Co., Ltd.  
1st Edition, Dec. 2001  
All rights reserved.  
Any reprinting or unauthorized use  
without the written permission of  
Yamaha Motor Co., Ltd.  
is expressly prohibited.

250A/L250A  
CATALOGO DE REPUESTOS  
©2001, Yamaha Motor Co., Ltd.  
1ª edición, Dic. 2001  
Reservados todos los derechos.  
Se prohíbe expresamente toda reimpresión  
o utilización no autorizada de este manual  
sin el consentimiento por escrito de  
Yamaha Motor Co., Ltd.