

**PARTS
CATALOGUE
CATALOGO
DE REPUESTOS**

90AETO'02(6H12)

2A6H1-200S1

YAMAHA
GENUINE
Parts & Accessories

A1

CONTENTS

SHEET 1/2

TOP COWLING	A4
CYLINDER. CRANKCASE	A6
CRANKSHAFT. PISTON	B2
INTAKE	B4
CARBURETOR	B5
OIL PUMP	B7
FUEL	C2
GENERATOR	C4
ELECTRICAL	C5
STARTING MOTOR	C7
BOTTOM COWLING	D1
CONTROL	D3
BRACKET 1	D5
BRACKET 2	D7
POWER TRIM & TILT ASSY	E2
UPPER CASING	E5
LOWER CASING. DRIVE 1	E6
LOWER CASING. DRIVE 2	F3
FUEL TANK	F5
STEERING GUIDE	F6
REMOTE CONTROL BOX	F7

INDEX

NUMERICAL INDEX	G1
-----------------------	----

SHEET 2/2

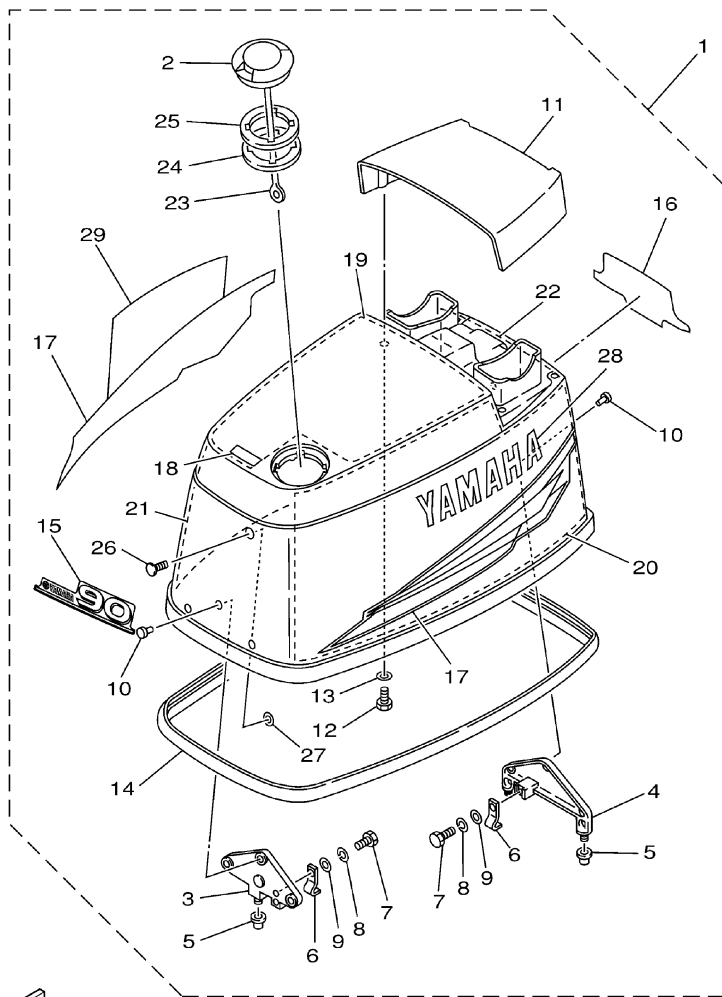
REMOTE CONTROL ASSY	A4*
METER	A7*
REPAIR KIT 1	B1*
REPAIR KIT 2	B3*

INDEX

NUMERICAL INDEX	G1*
-----------------------	-----

FIG. 1 TOP COWLING

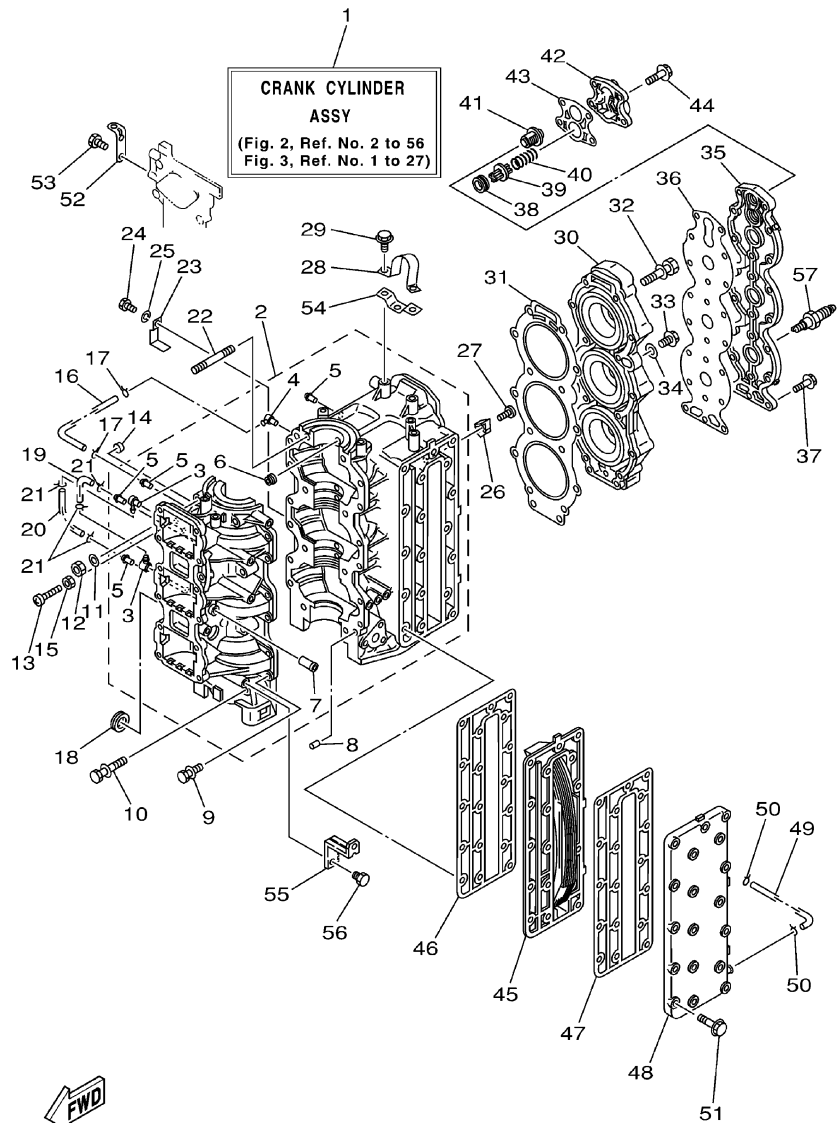
SOPORTE SUPERIOR



6H12200-2010

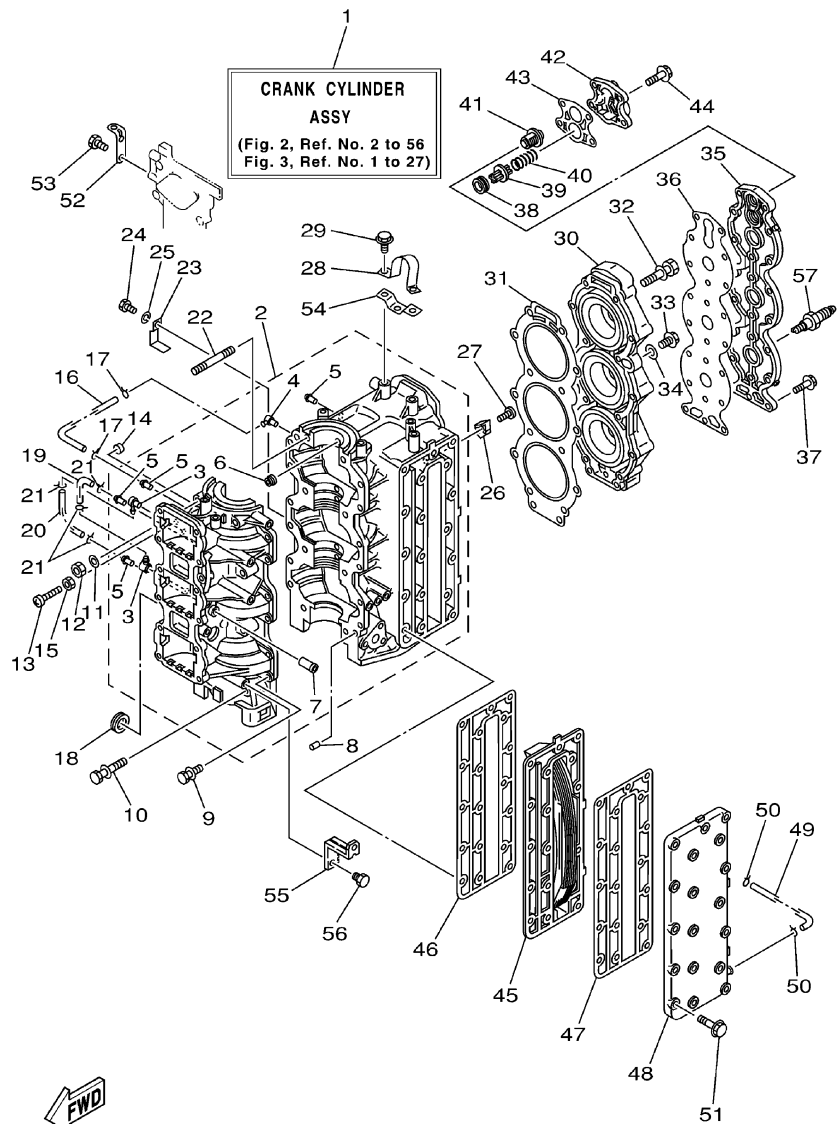
REF. NO.	PART NO. CODIGO NO.	DESCRIPTION DESCRIPTION	90A				REMARKS OBSERVACION
1	6H1-42610-60-4D	TOP COWLING ASSY SOPORTE SUPERIOR COMPL.	1				
2	63D-2177H-00	.DISK CAP 2 .TAPA DE DISCO 2	1				
3	6H1-42647-00-94	.HOLDER, CLAMP BAND .MORDAZA DE ABRAZADERA	1				
4	6H1-42649-00-94	.HOLDER, CLAMP BAND .MORDAZA DE ABRAZADERA	1				
5	663-42662-00	.DAMPER .AMORTIGUADOR	3				
6	688-42652-10	.HOOK .GANCHO	2				
7	97095-06016	.BOLT .PERNO	2				
8	92995-06100	.WASHER, SPRING .ARANDELA	2				
9	92995-06600	.WASHER .ARANDELA	2				
10	90266-06009	.RIVET .REMACHE	6				
11	6H1-42613-01-4D	.MOLDING, AIR DUCT .MOLDURA CONDUCTO AIRE	1				
12	97095-06016	.BOLT .PERNO	4				
13	92995-06600	.WASHER .ARANDELA	4				
14	688-42615-00	.SEAL .SELLO	1				
15	6H1-42677-60	.GRAPHIC, FRONT .CALCAMONIA FRONTAL	1				
16	6H1-42678-30	.GRAPHIC, REAR .CALCAMONIA TRASERA	1				
17	6H1-W0070-30	.GRAPHIC SET .JUEGO DE EMBLEMA	1				
18	6H1-13436-00	.MARK .MARCA	1				
19	6H1-42617-10	.DAMPER, FORM .HULE DE FORMA	1				
20	6H1-42619-00	.DAMPER, FORM .HULE DE FORMA	1				
21	6H1-42627-00	.DAMPER, FORM .AMORTIGUADOR FORMA 3	1				
22	6H1-42637-00	.DAMPER, FORM .HULE DE FORMA	1				
23	6H1-42694-00	.BAND .ABRAZADERA	1				
24	6H3-21732-00	.SEAL 1 .SELLO 1	1				
25	6H3-21735-00	.SEAL 2 .SELLO 2	1				
26	90338-05M12	.PLUG .TAPON	1				
27	90183-05M06	.NUT, SPRING .TUERCA DE RESORTE	1				

FIG. 2 CYLINDER. CRANKCASE CYLINDRO. CARTER



6H12200-2020

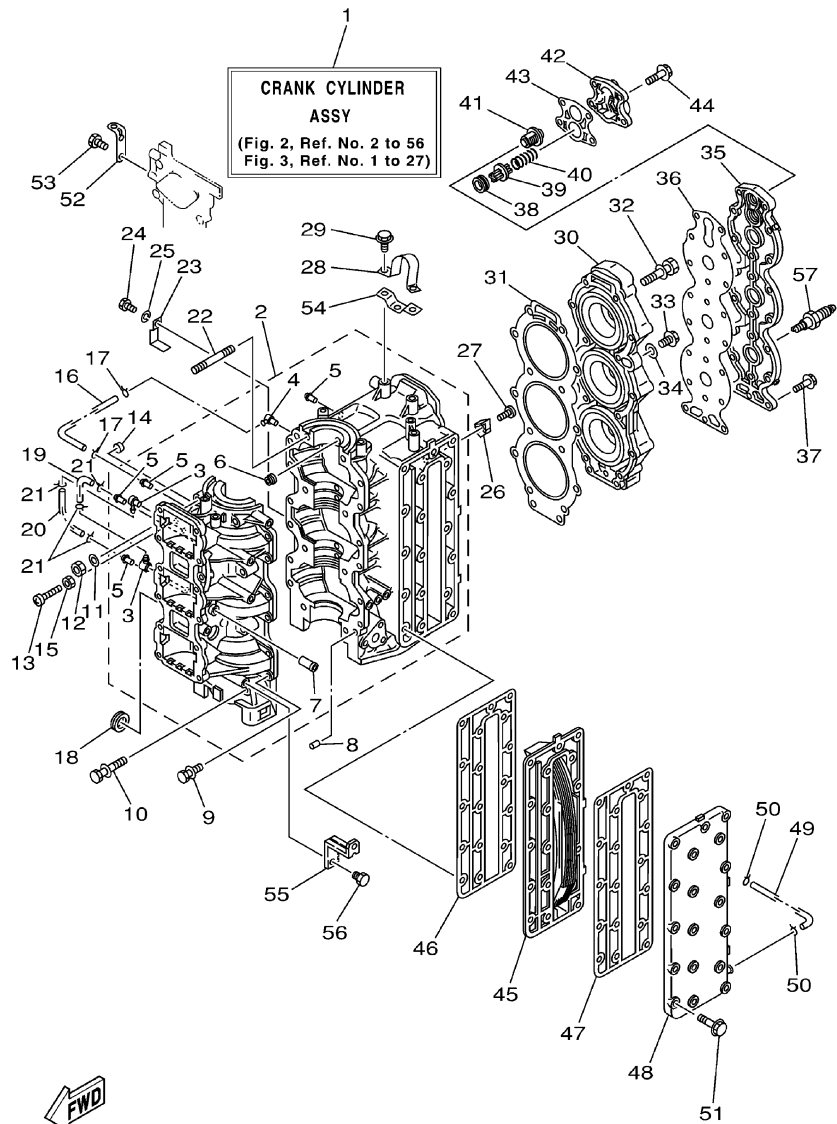
REF. NO.	PART NO. CODIGO NO.	DESCRIPTION DESCRIPTION	90A				REMARKS OBSERVACION
1	6H1-W0090-43-1S	CRANK CYLINDER ASSY BLOQUE MOTOR COMPLETO	1				
2	6H1-15100-02-1S	CRANKCASE ASSY CARTER COMPLETO	1				
3	688-11370-00	.CHECK VALVE ASSY .VALVULA DE CONTROL COMPL.	2				
4	650-11370-00	.CHECK VALVE ASSY .VALVULA DE CONTROL COMPL.	1				
5	624-14485-00	.PIPE, JOINT .TUBO DE UNION	4				
6	663-11518-01	.LOCK, BEARING .SEGURO BALERO	3				
7	650-24378-00	.PIPE, JOINT 4 .TUBO DE UNION 4	1				
8	93608-12063	PIN, DOWEL PASADOR DE CLAVIJA	2				
9	90119-06M12	BOLT, WITH WASHER TORNILLO CON ARANDELA	12				
10	90119-10005	BOLT, WITH WASHER TORNILLO CON ARANDELA	6				
11	90201-10008	WASHER, PLATE ARANDELA PLANA	2				
12	95313-10600	NUT TUERCA	2				
13	90157-06014	SCREW, PAN HEAD TORNILLO CABEZA CONICA PLANA	1				
14	688-44194-00	CAP TAPA	1				
15	95303-06700	NUT TUERCA	1				
16	90445-07260	HOSE (L276) TUBO (L276)	1				
17	90467-06016	CLIP PRESILLA	2				
18	90480-24M04	GROMMET TAPON	1				
19	90445-07M00	HOSE (L100) TUBO (L100)	1				
20	90445-07M23	HOSE (L408) TUBO (L408)	1				
21	90467-06016	CLIP PRESILLA	4				
22	90116-10M06	BOLT, STUD ESPARRAGO	2				
23	90465-12M03	CLAMP BRIDA	1				
24	97095-06014	BOLT PERNO	1				
25	92995-06100	WASHER, SPRING ARANDELA	1				
26	688-11325-00	ANODE ANODO	2				
27	98780-04015	SCREW, FLAT HEAD TORNILLO DE CABEZA PLANA	2				



6H12200-2020

FIG. 2 CYLINDER. CRANKCASE CYLINDRO. CARTER

REF. NO.	PART NO. CODIGO NO.	DESCRIPTION DESCRIPTION	90A	REMARKS OBSERVACION
28	688-11119-01	HANGER, ENGINE SOPORTE DEL MOTOR	1	
29	90119-08MA3	BOLT, WITH WASHER TORNILLO CON ARANDELA	2	
30	6H1-11111-01-1S	HEAD, CYLINDER 1 CULATA CILINDRO 1	1	
31	688-11181-A1	GASKET, CYLINDER HEAD 1 JUNTA, DE CULATA 1	1	
32	90119-08MA8	BOLT, WITH WASHER TORNILLO CON ARANDELA	14	
33	90340-14M00	PLUG, STRAIGHT SCREW TORNILLO, DE DRENAJE	1	
34	90430-14115	GASKET JUNTA	1	
35	688-11191-00-1S	COVER, CYLINDER HEAD 1 TAPA CULATA DE CILINDRO 1	1	
36	688-11193-A1	GASKET, HEAD COVER 1 EMPAQUE	1	
37	90119-06MA3	BOLT, WITH WASHER TORNILLO CON ARANDELA	18	
38	90480-20M05	GROMMET TAPON	1	
39	688-12416-00	VALVE, PRESSURE CONTROL VALVULA DE CONTROL DE PRESION	1	
40	90501-16M11	SPRING, COMPRESSION RESORTE DE COMPRESION	1	
41	688-12411-10	THERMOSTAT TERMOSTAT	1	
42	688-12413-00-1S	COVER, THERMOSTAT CUBIERTA TERMOSTATO	1	
43	688-12414-A1	GASKET, COVER EMPAQUE	1	
44	90119-06MA5	BOLT, WITH WASHER TORNILLO CON ARANDELA	4	
45	688-41111-00-1S	INNER COVER, EXHAUST CUBIERTA INTERIOR DE ESCAPE	1	
46	688-41112-A0	GASKET, EXHAUST INNER COVER EMPAQUE	1	
47	688-41114-A0	GASKET, EXHAUST OUTER COVER EMPAQUE	1	
48	688-41113-00-1S	OUTER COVER, EXHAUST CUBIERTA EXTERIOR DE ESCAPE	1	
49	663-24312-01	PIPE 2 TUBO 2	1	
50	90467-08004	CLIP PRESILLA	2	
51	90119-08020	BOLT, WITH WASHER TORNILLO CON ARANDELA	18	
52	6H1-15772-00	STAY 2 SOPORTE 2	1	
53	97095-06012	BOLT PERNO	2	
54	6H1-15773-01	STAY 3 SOPORTE 3	1	



6H12200-2020

FIG. 2 CYLINDER. CRANKCASE CYLINDRO. CARTER

REF. NO.	PART NO. CODIGO NO.	DESCRIPTION DESCRIPTION	90A	REMARKS OBSERVACION
55	6H1-21796-00	HINGE BISAGRA	1	
56	97095-08012	BOLT PERNO	1	
57	94702-00160	PLUG, SPARK (NGK B8HS-10) BUJIA (NGK B8HS-10)	3	FOR BRAZIL
	94702-00247	PLUG, SPARK (NGK BR8HS-10) BUJIA (NGK BR8HS-10)	3	FOR CARIB

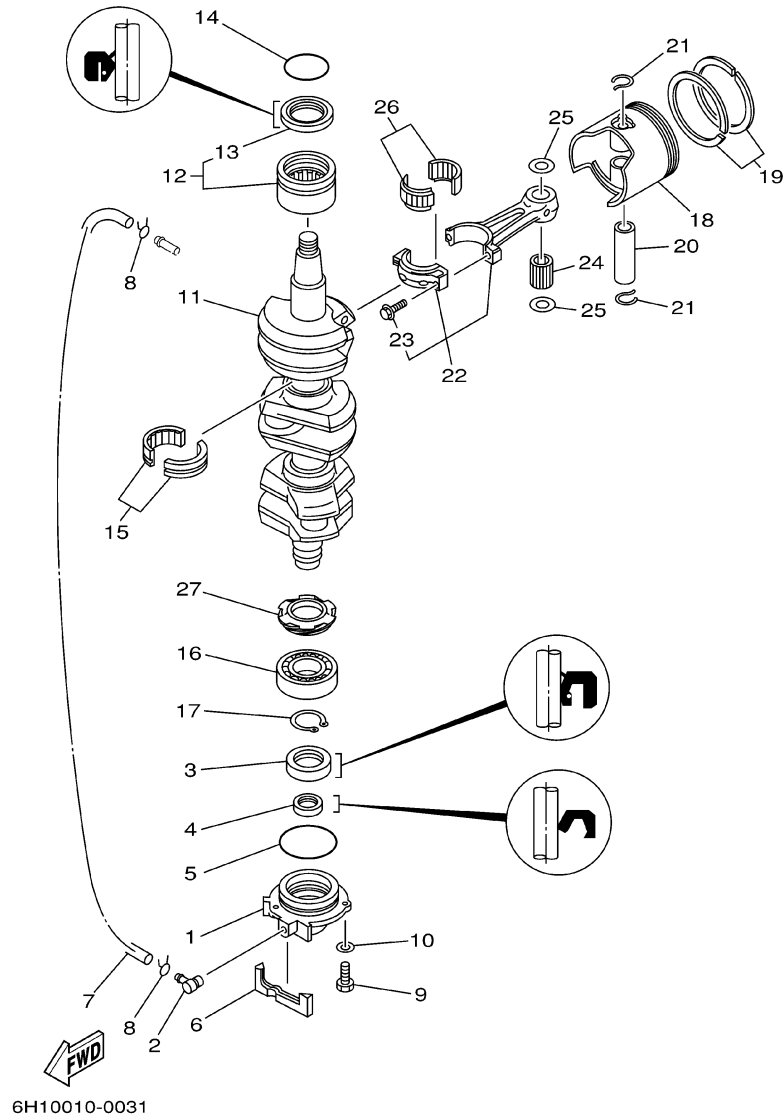
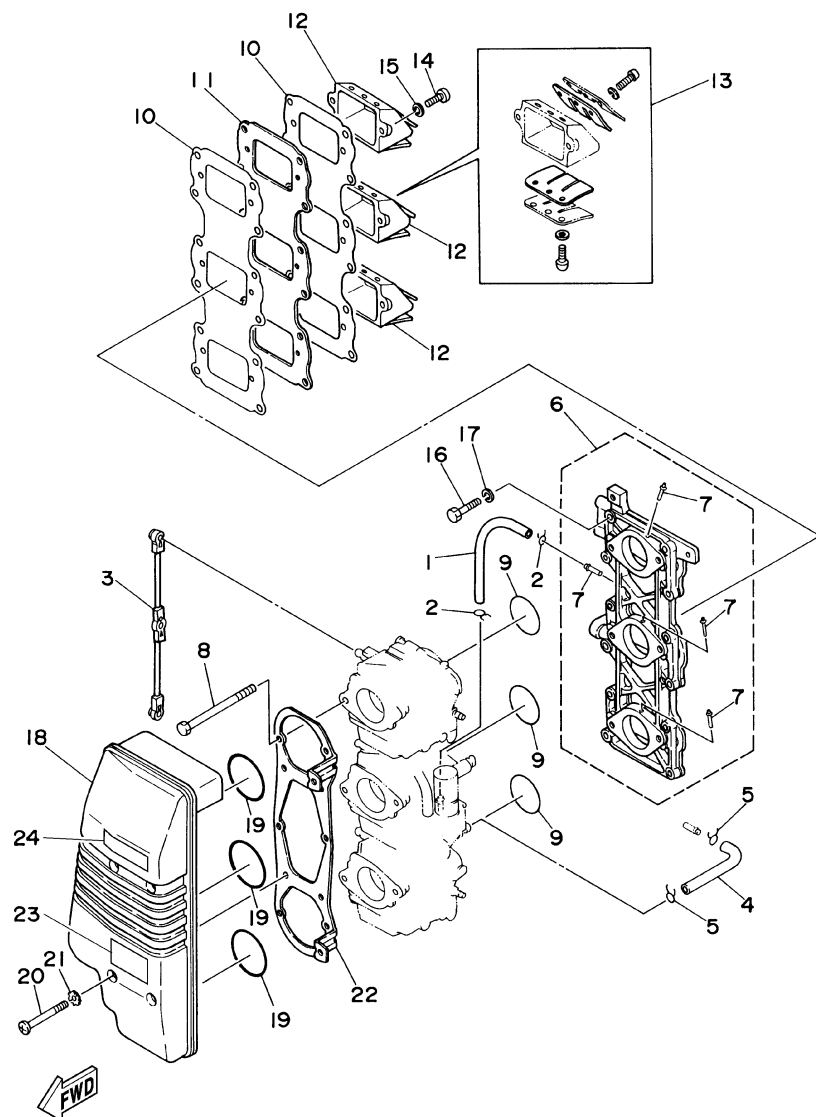


FIG. 3 CRANKSHAFT. PISTON CIGUENAL. PISTON

REF. NO.	PART NO. CODIGO NO.	DESCRIPTION DESCRIPTION	90A			REMARKS OBSERVACION
1	6H1-15359-01-94	HOUSING, OIL SEAL CAJA DE SELLO DE ACEITE	1			
2	688-11370-00	CHECK VALVE ASSY VALVULA DE CONTROL COMPL.	1			
3	93102-30M05	OIL SEAL SELLO ACEITE	1			
4	93104-20M02	OIL SEAL SELLO ACEITE	1			
5	93210-62269	O-RING ANILLO O	1			
6	688-15379-00	SEAL, CRANKCASE SELLO DE CARTER	1			
7	90445-07M86	HOSE (L460) TUBO (L460)	1			
8	90467-06016	CLIP PRESILLA	2			
9	97095-06020	BOLT PERNO	3			
10	92995-06600	WASHER ARANDELA	3			
11	688-11411-01	CRANKSHAFT CIGUENAL	1			
12	93310-636U4	BEARING COJINETE	1			
13	93102-36M02	OIL SEAL SELLO ACEITE	1			
14	93210-46M16	O-RING ANILLO O	1			
15	93310-835U8	BEARING COJINETE	2			
16	93306-206U5	BEARING COJINETE	1			
17	93410-32M00	CIRCLIP BOLA	1			
18	6H1-11631-03-95	PISTON (STD) PISTON (STD)	3			
	6H1-11635-03	PISTON (0.25MM O/S) PISTON (0.25MM O/S)	3			AP
	6H1-11636-03	PISTON (0.50MM O/S) PISTON (0.50MM O/S)	3			AP
19	688-11603-A0	PISTON RING SET (STD) JUEGO DE ANILLOS (STD)	3			
	688-11604-A0	PISTON RING SET (0.25MM O/S) JUEGO DE ANILLOS (0.25MM O/S)	3			AP
	688-11605-A0	PISTON RING SET (0.50MM O/S) JUEGO DE ANILLOS (0.50MM O/S)	3			AP
20	663-11633-00	PIN, PISTON PASADOR, PISTON	3			
21	688-11634-10	CLIP, PISTON PIN PRESILLA, BULON DE PISTON	6			
22	688-11650-03	CONNECTING ROD ASSY BIELA COMPLETA	3			
23	90109-08022	BOLT PERNO	2			



6H12110-2040

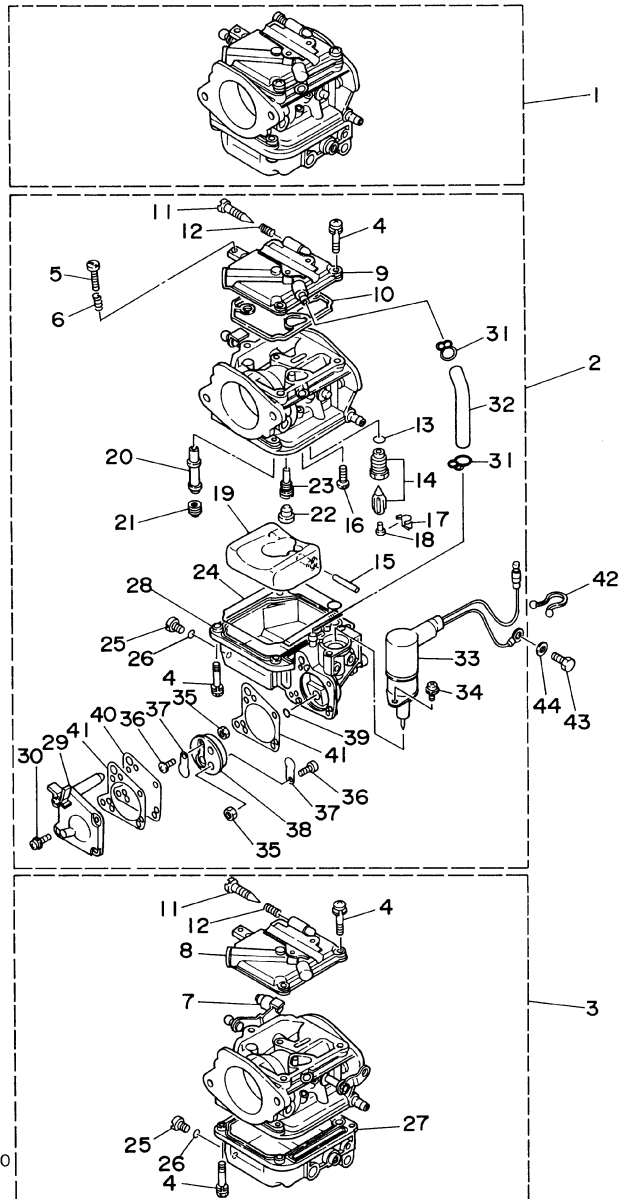
FIG. 4 INTAKE

ADMISION

REF. NO.	PART NO. CODIGO NO.	DESCRIPTION DESCRIPTION	90A				REMARKS OBSERVACION
1	90445-07M23	HOSE (L408) TUBO (L408)	1				
2	90467-06016	CLIP PRESILLA	2				
3	688-41217-01	ROD, ACCEL. LEVER VARILLA PALANCA ACELERADOR	1				
4	6H3-14349-00	PIPE TUBO	1				
5	90467-08004	CLIP PRESILLA	2				
6	6H1-13641-02-94	MANIFOLD 1 MULTIPLE 1	1				
7	6H1-14485-00	.PIPE, JOINT .TUBO DE UNION	4				
8	97095-06095	BOLT PERNO	6				
9	93210-39ME4	O-RING ANILLO O	3				
10	688-13621-A1	GASKET, VALVE SEAT JUNTA DE VALV. DE EMPAQUE	2				
11	688-13624-00	PLATE, REED VALVE PLACA DE VALVULA DE LAMINAS	1				
12	688-13610-00	REED VALVE ASSY VALVULA DE LAMINAS COMPLETA	3				
13	688-W0004-00	.REED SET .JUEGO DE VALVULAS DE LENGUETA	1				
14	97880-05020	SCREW, PAN HEAD TORNILLO DE CABEZA CON PLANA	6				
15	92990-05100	WASHER, SPRING ARANDELA	6				
16	97013-06030	BOLT PERNO	12				
17	92903-06100	WASHER, SPRING ARANDELA	12				
18	6H1-14440-02	SILENCER ASSY, INTAKE SILENCIADOR COMPL DE ADMISION	1				
19	93210-46044	O-RING ANILLO O	3				
20	97885-06050	SCREW, PAN HEAD TORNILLO DE CABEZA CON PLANA	4				
21	90209-06M05	WASHER ARANDELA DE SEPARACION	4				
22	6H1-14413-02	STAY SOPORTE	1				
23	6H1-85711-60	MARK, CAUTION MARKER	1				
24	6A1-83625-41	MARK 5 MARCA 5	1				FOR CARIB

FIG. 5 CARBURETOR

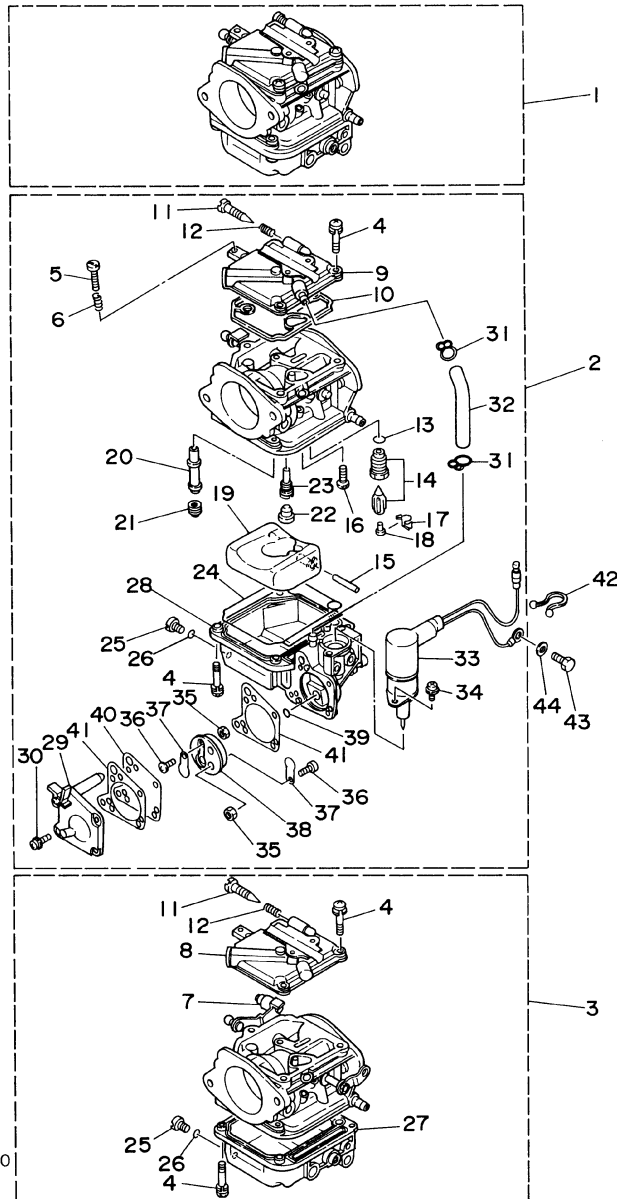
CARBURADOR



REF. NO.	PART NO. CODIGO NO.	DESCRIPTION DESCRIPTION	90A	REMARKS OBSERVACION
1	6H1-14301-07	CARBURETOR ASSY 1 CARBURADOR COMPLETO 1	1	FOR CARIB
	6H1-14301-20	CARBURETOR ASSY 1 CARBURADOR COMPLETO 1	1	FOR BRAZIL
2	6H1-14302-07	CARBURETOR ASSY 2 CARBURADOR COMPLETO 2	1	FOR CARIB
	6H1-14302-20	CARBURETOR ASSY 2 CARBURADOR COMPLETO 2	1	FOR BRAZIL
3	6H1-14303-07	CARBURETOR ASSY 3 CARBURADOR COMPLETO 3	1	FOR CARIB
	6H1-14303-20	CARBURETOR ASSY 3 CARBURADOR COMPLETO 3	1	FOR BRAZIL
4	97980-04114	.SCREW, WITH WASHER .TORNILLO, CON ARANDELA	21	
5	63V-14523-00	.SCREW, STOP .TORNILLO DE TOPE	1	#2
6	90501-10326	.SPRING, COMPRESSION .RESORTE DE COMPRESION	1	#2
7	6H2-14578-00	.COLLAR .COLLAR	1	#3
8	6H4-14146-00	.PLATE .PLACA SOPORTE	2	#1,3
9	6H3-14146-10	.PLATE .PLACA SOPORTE	1	#2
10	6H4-14147-00	.O-RING .ANILLO O	3	
11	692-14923-00	.SCREW, PILOT .TORNILLO DE AJUSTE	3	
12	697-14555-00	.SPRING .RESORTE	3	
13	93210-04228	.O-RING .ANILLO O	3	
14	692-14590-00	.VALVE SEAT .VALVULA DE AGUJA COMPLETA	3	
15	6H4-14548-00	.PIN, FLOAT ARM .PASADOR DE BRAZO DE BOIA	3	
16	98580-04008	.SCREW, PAN HEAD .TORNILLO DE CABEZA CON PLANA	3	
17	663-14159-00	.CLIP .PRESILLA	3	
18	676-14186-00	.PIN, FLOAT .PASADOR DE LA BOYA	3	
19	6H4-14985-01	.FLOAT .BOIA	3	
20	6H1-14947-75	.JET, NEEDLE .INYEKTOR DE AGUJA	3	
21	6H1-14943-39	.JET, MAIN (#160) .INYEKTOR PRINCIPAL (#160)	3	FOR CARIB
	6H1-14943-40	.JET, MAIN (#165) .INYEKTOR PRINCIPAL (#165)	3	FOR BRAZIL
22	676-14966-00	.CAP .TAPA	3	
23	6H1-14948-18	.JET (#78) .INYEKTOR (#78)	3	FOR CARIB

FIG. 5 CARBURETOR

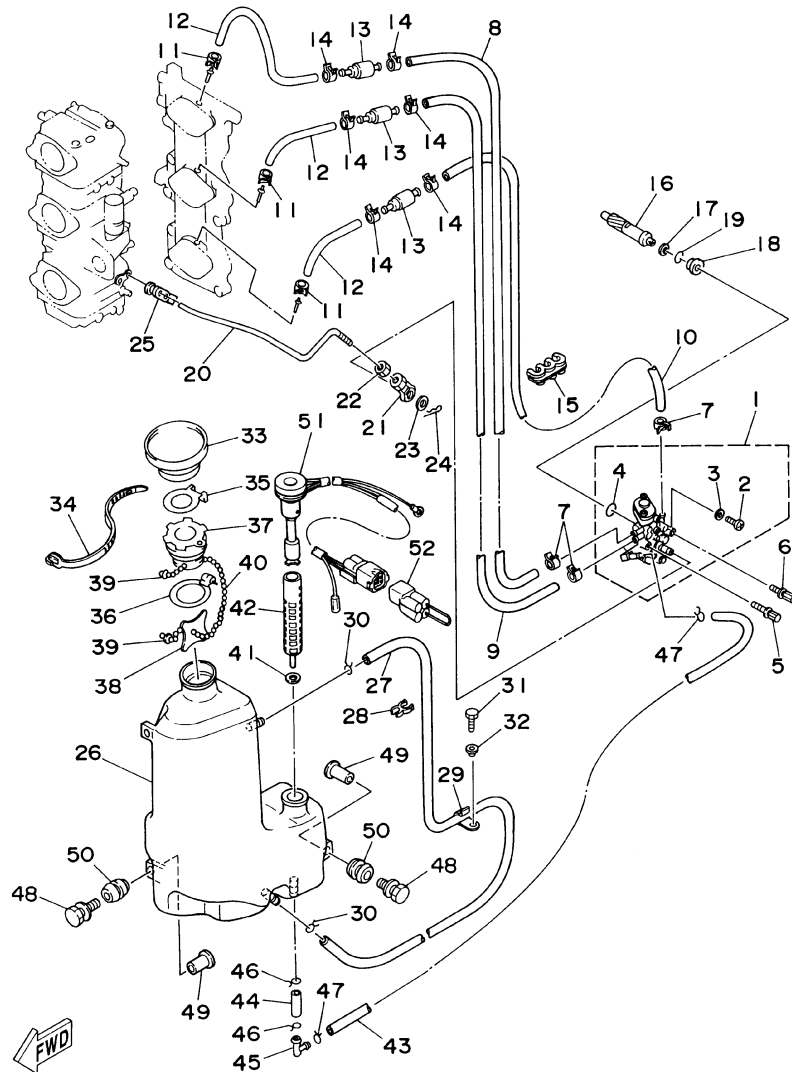
CARBURADOR



REF. NO.	PART NO. CODIGO NO.	DESCRIPTION DESCRIPTION	90A		REMARKS OBSERVACION
23	6H1-14948-20	.JET (#82) .INYECTOR (#82)	3		FOR BRAZIL
24	6H4-14984-00	.GASKET, FLOAT CHAMBER .EMPAQUE CAMARA DE BOIA	3		
25	6H3-14992-00	.SCREW, DRAIN .TORNILLO, SEGURO	3		
26	93210-04230	.O-RING .ANILLO O	3		
27	6H4-14980-00	.BODY, FLOAT CHAMBER .CUERPO CAMARA DE BOIA	2		#1,3
28	6H3-14980-10	.BODY, FLOAT CHAMBER .CUERPO CAMARA DE BOIA	1		#2
29	6H3-24452-10	.COVER .CUBIERTA	1		#2
30	6H4-14567-00	.SCREW .TORNILLO	4		#2
31	6H3-14137-00	.CLIP .PRESILLA	2		#2
32	6H3-14349-00	.PIPE .TUBO	1		#2
33	6H3-14380-00	.STARTER ASSY .ARRANQUE COMPLETO	1		#2
34	97803-04008	.SCREW, PAN HEAD .TORNILLO DE CABEZA CON PLANA	2		#2
35	95380-03600	.NUT .TUERCA	2		#2
36	98980-03006	.SCREW, BIND .TORNILLO DE LIGAR	2		#2
37	6L5-24421-00	.VALVE, CHECK .VALVULA DE RETENCION	2		#2
38	6H4-24413-00	.BODY 2 .CUERPO 2	1		#2
39	6H4-24486-00	.O-RING .ANILLO O	1		#2
40	6H3-24411-10	.DIAPHRAGM .DIAFRAGMA	1		#2
41	6H3-24434-10	.GASKET, BODY .EMPAQUE	2		#2
42	90465-18147	.CLAMP .BRIDA	1		
43	97013-06012	.BOLT .PERNO	1		
44	92903-06600	.WASHER, PLATE .ARANDELA	1		

FIG. 6 OIL PUMP

BOMBA DE ACEITE

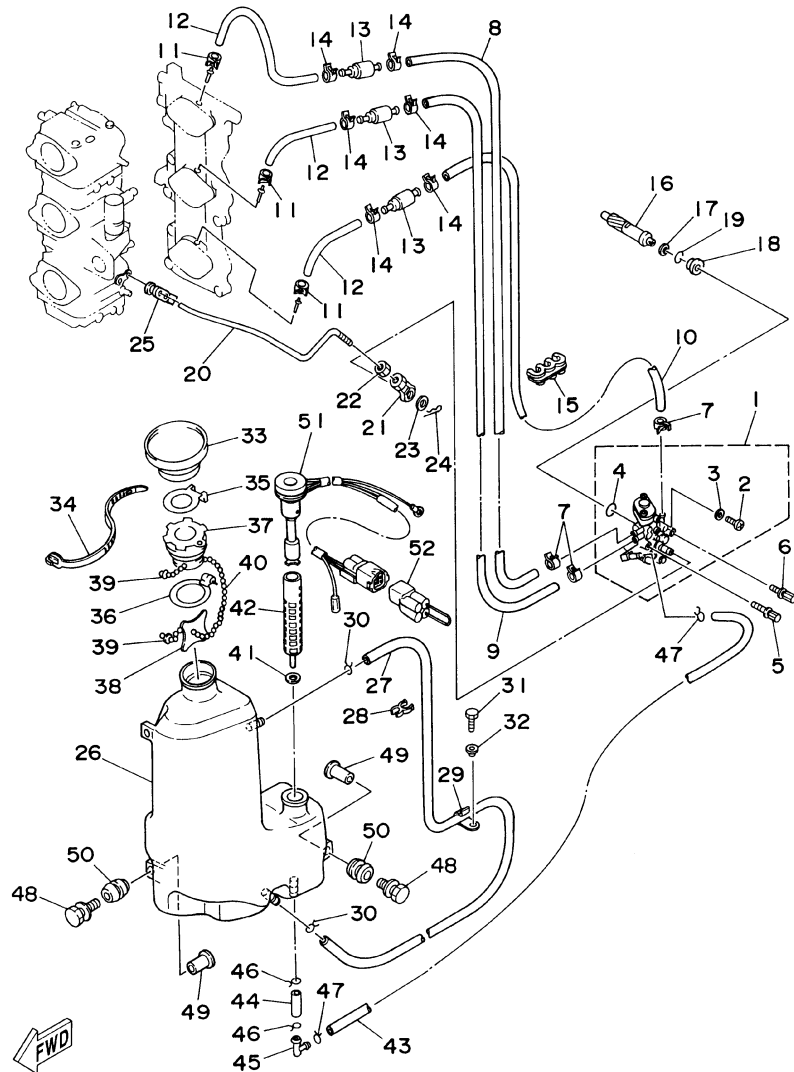


6H10010-0060

REF. NO.	PART NO. CODIGO NO.	DESCRIPTION DESCRIPTION	90A				REMARKS OBSERVACION
1	6H1-13200-02	OIL INJECTION PUMP ASSY BOMBA DE ACEITE COMPLETA	1				
2	6R3-13471-00	.PLUG, DRAIN .TAPON DE LLAVE DE VACIADO	1				
3	6L2-13475-00	.GASKET .EMPAQUE	1				
4	93210-19MA7	.O-RING .ANILLO O	1				
5	90109-06M39	BOLT PERNO	1				
6	90109-06M40	BOLT PERNO	1				
7	90468-07M02	CLIP PRESILLA	3				
8	90445-07M90	HOSE (L390) TUBO (L390)	1				
9	90445-07240	HOSE (L330) TUBO (L330)	1				
10	90445-07M44	HOSE (L250) TUBO (L250)	1				
11	90468-07M02	CLIP PRESILLA	3				
12	90445-07M87	HOSE (L110) TUBO (L110)	3				
13	6E9-13183-70	VALVE, CHECK VALVULA DE RETENTION	3				
14	90468-07M02	CLIP PRESILLA	6				
15	90464-07M05	CLAMP BRIDA	1				
16	6H1-11537-01	GEAR, DRIVEN ENGRANAJE TRACCION	1				
17	90201-08M93	WASHER, PLATE ARANDELA PLANA	1				
18	6H1-13117-01	COLLAR, DISTANCE COLLAR, DISTANCIA	1				
19	93210-13M04	O-RING ANILLO O	1				
20	6H1-41241-02	ROD, LINK VARILLA	1				
21	6H1-41237-00	JOINT, LINK CONECTOR	1				
22	95380-05600	NUT TUERCA	1				
23	90202-05088	WASHER, PLATE ARANDELA DE PLANA	1				
24	90468-05M03	CLIP PRESILLA	1				
25	6E9-41237-00	JOINT, LINK CONECTOR	1				
26	6H1-21707-07	OIL TANK COMP. DEPOSITO DE ACEITE COMP.	1				
27	90445-11M09	HOSE (L600) TUBO (L600)	1				

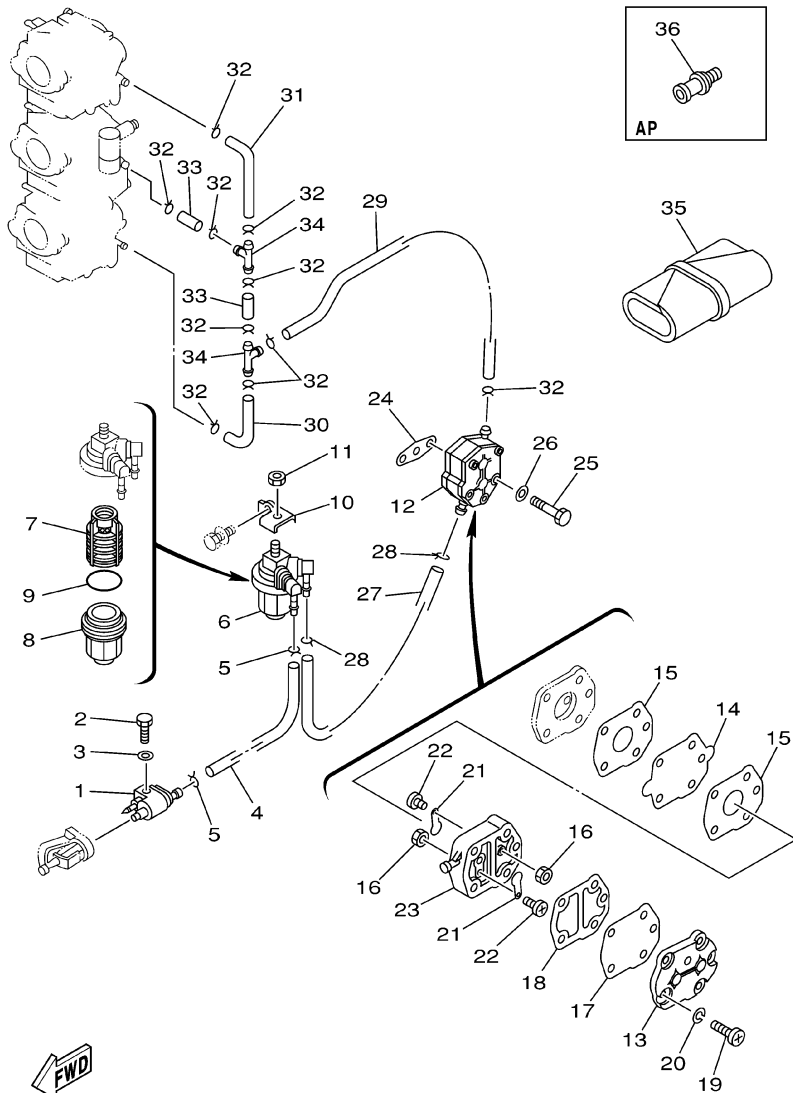
FIG. 6 OIL PUMP

BOMBA DE ACEITE



6H10010-0060

REF. NO.	PART NO. CODIGO NO.	DESCRIPTION DESCRIPTION	90A				REMARKS OBSERVACION
28	90464-11M24	CLAMP BRIDA	1				
29	90465-11M27	CLAMP BRIDA	1				
30	90467-11M08	CLIP PRESILLA	2				
31	97095-06016	BOLT PERNO	1				
32	90387-06M31	COLLAR COLLAR	1				
33	6H1-21752-00	TUBE, FILLER 1 TUBO DE LLENADOR 1	1				
34	90465-13M30	CLAMP BRIDA	1				
35	63D-2176M-00	HOOK GANCHO	1				
36	63D-2175R-00	HOOK, BAND GANCHO DE CINTA	1				
37	6H4-21770-00	OIL TANK CAP ASSY TAPA DE DEPOSITO DE ACEITE	1				
38	6J8-21758-00	WASHER, SPECIAL 2 ARANDELA ESPECIAL 2	1				
39	6H1-21757-00	WASHER, SPECIAL 1 ARANDELA ESPECIAL 1	2				
40	6H1-24633-00	CHAIN, BALL EMPAQUE	1				
41	6J8-13414-00	GASKET, STRAINER COVER EMPAQUE DE TAPA FILTRO	1				
42	6H1-13411-00	STRAINER, OIL FILTRO DE ACEITE	1				
43	6H1-21766-01	PIPE, OIL TUBO DEL ACEITE	1				
44	90445-08M01	HOSE (L30) TUBO (L30)	1				
45	6H1-13435-00	NIPPLE NIPLE	1				
46	90467-12M11	CLIP PRESILLA	2				
47	90467-08004	CLIP PRESILLA	2				
48	90119-06M88	BOLT, WITH WASHER TORNILLO CON ARANDELA	3				
49	624-42542-00	PIPE TUBO	3				
50	6A0-82317-00	DAMPER, IGNITION COIL AMORTIGUADOR BOBINA ENCENDIDO	3				
51	6H1-85720-15	OIL LEVEL GAUGE ASSY MEDIDOR DE NIVEL DE ACEITE	1				
52	6R5-82582-B0	COVER, WIRE HARNESS CUBIERTA DE ARNES DE CABLE	1				AP

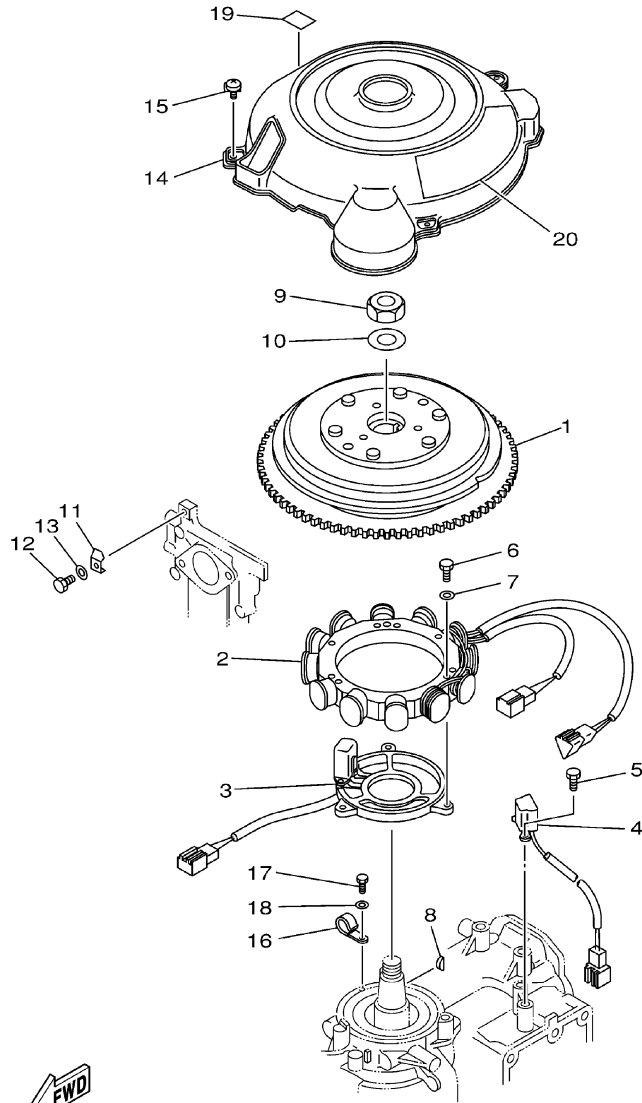


6H10010-0070

FIG. 7 FUEL

COMBUSTIBLE

REF. NO.	PART NO. CODIGO NO.	DESCRIPTION DESCRIPTION	90A	REMARKS OBSERVACION
28	90467-08004	CLIP PRESILLA	2	
29	90445-09097	HOSE TUBO	1	
30	688-24313-00	PIPE 3 TUBO 3	1	
31	688-24314-00	PIPE 4 TUBO 4	1	
32	90467-08004	CLIP PRESILLA	10	
33	90445-09220	HOSE TUBO	2	
34	688-24378-00	PIPE, JOINT 4 TUBO DE UNION 4	2	
35	656-W2810-02	TOOL KIT JUEGO DE HERRAMIENTAS	1	
36	6E0-28193-00-94	PLUG, WATER CHECK TAPON DE CONTROL DE LA AGUA	1	AP D:12.5MM

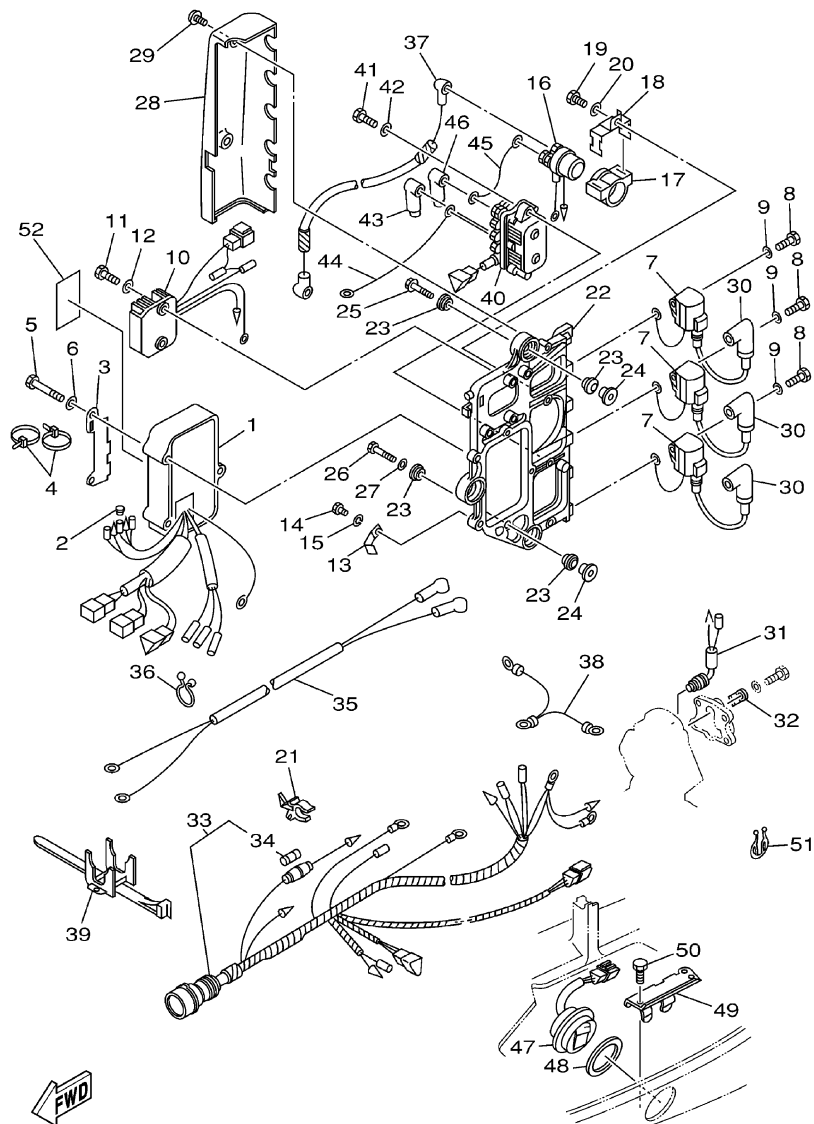


6H12200-2080

FIG. 8 GENERATOR

GENERADOR

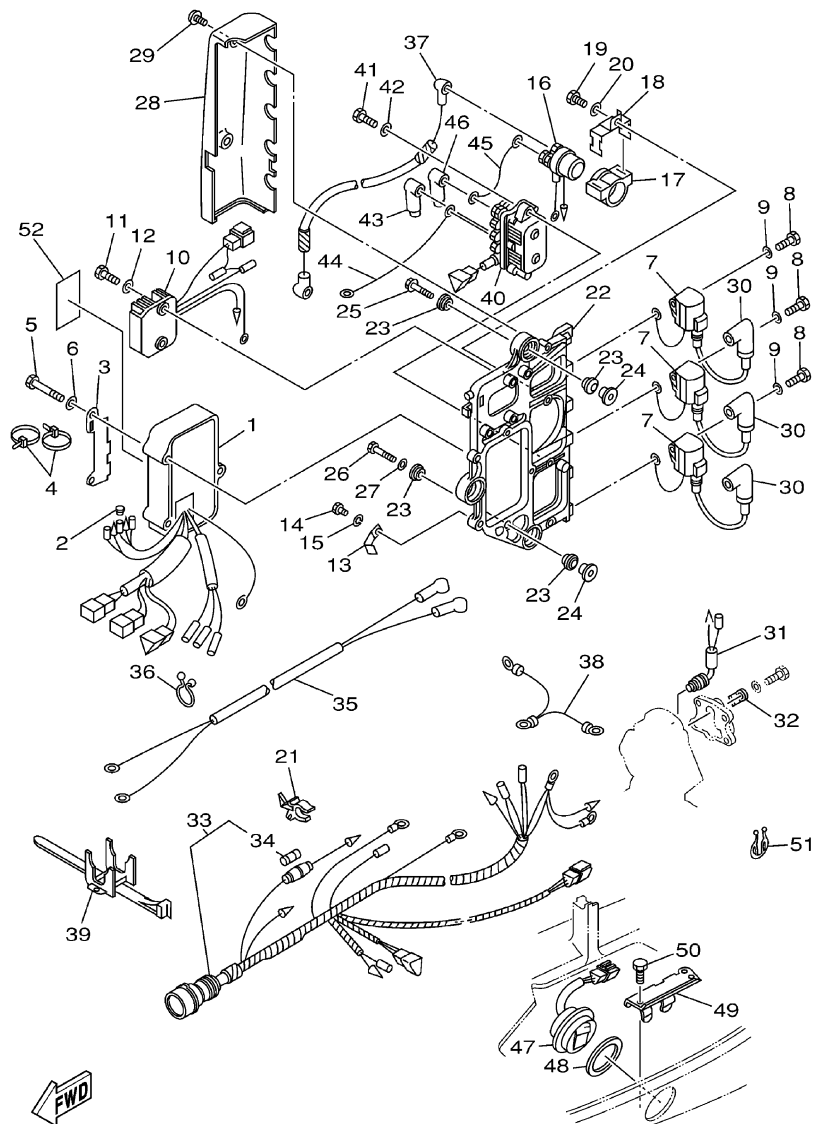
REF. NO.	PART NO. CODIGO NO.	DESCRIPTION DESCRIPTION	90A				REMARKS OBSERVACION
1	6H0-85550-00	ROTOR ASSY ROTOR COMPLETO	1				
2	6H0-85510-03	STATOR ASSY ESTATOR COMPLET	1				
3	6H0-85580-01	COIL, PULSER BOBINA DE PULSACION	1				
4	6H2-85895-01	CRANK POSITION SENDER SENSOR, POSICION DE CIGUENAL	1				
5	97095-05012	BOLT PERNO	2				
6	97095-06040	BOLT PERNO	3				
7	92995-06600	WASHER ARANDELA	3				
8	90280-05015	KEY, WOODRUFF CUNA WOODRUFF	1				
9	90170-20137	NUT TUERCA	1				
10	90201-21M18	WASHER, PLATE ARANDELA PLANA	1				
11	688-81332-01	PLATE, TIMING PLACA REGULADOR DE TIEMPO	1				
12	97095-06010	BOLT PERNO	1				
13	92995-06600	WASHER ARANDELA	1				
14	6H1-81337-01	COVER, FLYWHEEL CUBIERTA DE VOLANTE	1				
15	90159-06M20	SCREW, WITH WASHER TORNILLO CON VALONA	3				
16	90465-06M90	CLAMP BRIDA	1				
17	97095-06012	BOLT PERNO	1				
18	92995-06600	WASHER ARANDELA	1				
19	6H1-14488-00	LABEL, CAUTION ETIQUETA PRECAUCION	1				
20	6H1-13437-21	MARK, CAUTION MARKER	1				FOR CARIB



6H12200-2090

FIG. 9 ELECTRICAL ELECTRICO

REF. NO.	PART NO. CODIGO NO.	DESCRIPTION DESCRIPTION	90A				REMARKS OBSERVACION
1	6H0-85540-05	C.D.I. UNIT ASSY UNIDAD C.D.I. COMPLETA	1				
2	703-82119-00	COVER, LEAD WIRE CUBIERTA DE CABLE CONDUCTOR	1				
3	6H1-85542-10	BRACKET SOPORTE	1				
4	90465-13M11	CLAMP BRIDA	2				
5	97095-06050	BOLT PERNO	3				
6	92995-06600	WASHER ARANDELA	3				
7	697-85570-00	IGNITION COIL ASSY BOBINA DE IGNICION COMPLETO	3				
8	97013-06020	BOLT PERNO	3				
9	92903-06600	WASHER, PLATE ARANDELA	3				
10	6H0-81960-10	RECTIFIER & REGULATOR ASSY RECTIFICADOR Y REGULADOR	1				
11	97095-06020	BOLT PERNO	2				
12	92995-06600	WASHER ARANDELA	2				
13	90465-08M23	CLAMP BRIDA	1				
14	97095-06012	BOLT PERNO	1				
15	92995-06100	WASHER, SPRING ARANDELA	1				
16	6G1-81941-10	STARTER RELAY ASSY RELE DE ARRANQUE	1				
17	6G1-81952-00	HOLDER, RELAY SOSTEN DE RELE	1				
18	6E9-81945-70	PLATE, SWITCH FITTING PLACA ACCESORIA DE INTERRUP.	1				
19	97013-06016	BOLT PERNO	1				
20	92903-06600	WASHER, PLATE ARANDELA	1				
21	6G5-82152-00	HOLDER, FUSE PORTA-FUSIBLES	1				
22	6H1-85542-00-94	BRACKET SOPORTE	1				
23	90480-09M25	GROMMET TAPON	6				
24	90387-06M03	COLLAR COLLAR	3				
25	90119-06M75	BOLT, WITH WASHER TORNILLO CON ARANDELA	2				
26	90109-06M39	BOLT PERNO	1				
27	90201-06M31	WASHER, PLATE ARANDELA PLANA	1				



6H12200-2090

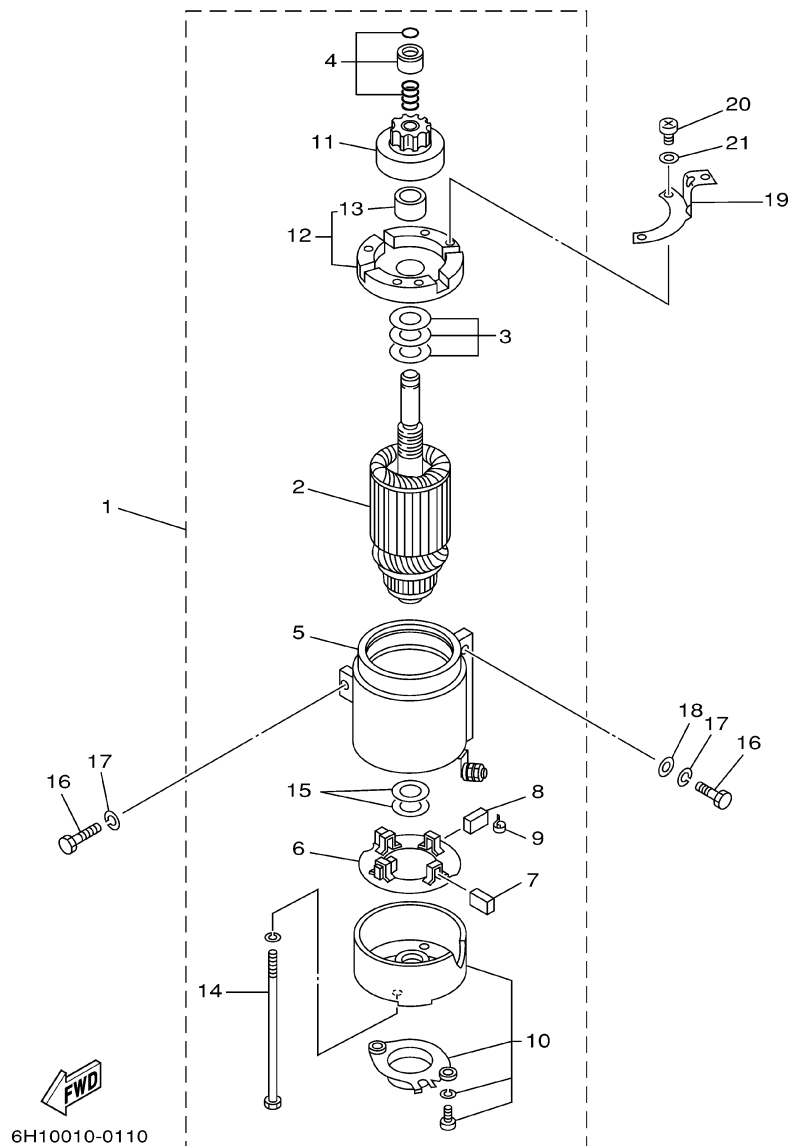
FIG. 9 ELECTRICAL

ELECTRICO

REF. NO.	PART NO. CODIGO NO.	DESCRIPTION DESCRIPTION	90A				REMARKS OBSERVACION
28	6H1-81916-00	COVER, TERMINAL CUBIERTA DE TERMINAL	1				
29	90159-06M11	SCREW, WITH WASHER TORNILLO CON VALONA	2				
30	6E3-82370-21	PLUG CAP ASSY TAPON DE BUJIA COMPLT	3				
31	688-82560-10	THERMO SWITCH ASSY INTER. DE TERMO	1				
32	688-82588-01	PLATE PLACA	1				
33	6H0-82590-12	WIRE HARNESS ASSY CONJUNTO DE CABLES	1				
34	663-82151-00	.FUSE (12V-20A) .FUSIBLE (12V-20A)	1				
35	6H0-82105-02	WIRE HARNESS ARNES DE CABLES	1				
36	90464-23M22	CLAMP BRIDA	1				
37	6H0-82117-00	WIRE, LEAD CABLE CONDUCTOR	1				
38	697-82519-00	WIRE, EARTH LEAD CABLE CONDUCTOR A TIERRA	1				
39	688-82594-00	CLAMP GRAMPA	1				
40	61A-81950-00	RELAY ASSY RELE COMPLETO	1				
41	97095-06025	BOLT PERNO	2				
42	92995-06600	WASHER ARANDELA	2				
43	682-82119-01	COVER, LEAD WIRE CUBIERTA DE CABLE CONDUCTOR	2				
44	6H0-81949-10	WIRE, LEAD CABLE CONDUCTOR	1				
45	6H0-81949-01	WIRE, LEAD CABLE CONDUCTOR	1				
46	682-82119-01	COVER, LEAD WIRE CUBIERTA DE CABLE CONDUCTOR	1				
47	6H1-82563-10	TRIM & TILT SWITCH ASSY INTERRUPTOR DE INCLINACION	1				
48	6E5-82587-00	GASKET EMPAQUETADURA	1				
49	6H1-83614-00	BRACKET SOPORTE	1				
50	97095-06016	BOLT PERNO	1				
51	90464-18M14	CLAMP BRIDA	1				
52	6R5-85711-60	MARK, CAUTION MARKER	1				

FIG. 10 STARTING MOTOR

MOTOR DE ARRANQUE



REF. NO.	PART NO. CODIGO NO.	DESCRIPTION DESCRIPTION	90A				REMARKS OBSERVACION
1	688-81800-12	STARTING MOTOR ASSY MOTOR DE ARRANQUE COMPLETO	1				
2	676-81850-11	.ARMATURE ASSY .INDUCIDO COMPLETO	1				
3	676-81809-10	.WASHER KIT .JUEGO DE ARANDELA	1				
4	676-81857-10	.PINION STOPPER SET .JUEGO TAPON PINON	1				
5	688-81810-11	.STATOR ASSY .ESTATOR COMPLETO	1				
6	663-81840-11	.BRUSH HOLDER ASSY .SOSTEN DE ESCOBILLA COMPLETO	1				
7	663-81811-11	.BRUSH 1 .ESCOBILLA 1	2				
8	663-81812-11	.BRUSH 2 .ESCOBILLA 2	2				
9	663-81813-10	.SPRING, BRUSH .RESORTE DE ESCOBILLA	4				
10	663-81820-12	.REAR BRACKET ASSY .CUBIERTA TRASERA COMPL	1				
11	663-81832-11	.PINION ASSY .PINON COMPL.	1				
12	688-81830-11	.FRONT BRACKET ASSY .SOPORTE DELANTERO COMPLETO	1				
13	688-81831-00	..METAL, FRONT ..METAL, DELANTERO	1				
14	663-81826-10	BOLT .PERNO	2				
15	688-81824-00	WASHER 2 .ARANDELA 2	2				
16	97013-08030	BOLT PERNO	3				
17	92903-08100	WASHER, SPRING ARANDELA	3				
18	92990-08600	WASHER, PLATE ARANDELA	2				
19	6H1-15771-00	STAY 1 SOPORTE 1	1				
20	97885-04010	SCREW, PAN HEAD TORNILLO DE CABEZA CON PLANA	3				
21	92995-04600	WASHER ARANDELA	3				



6H12200-2110

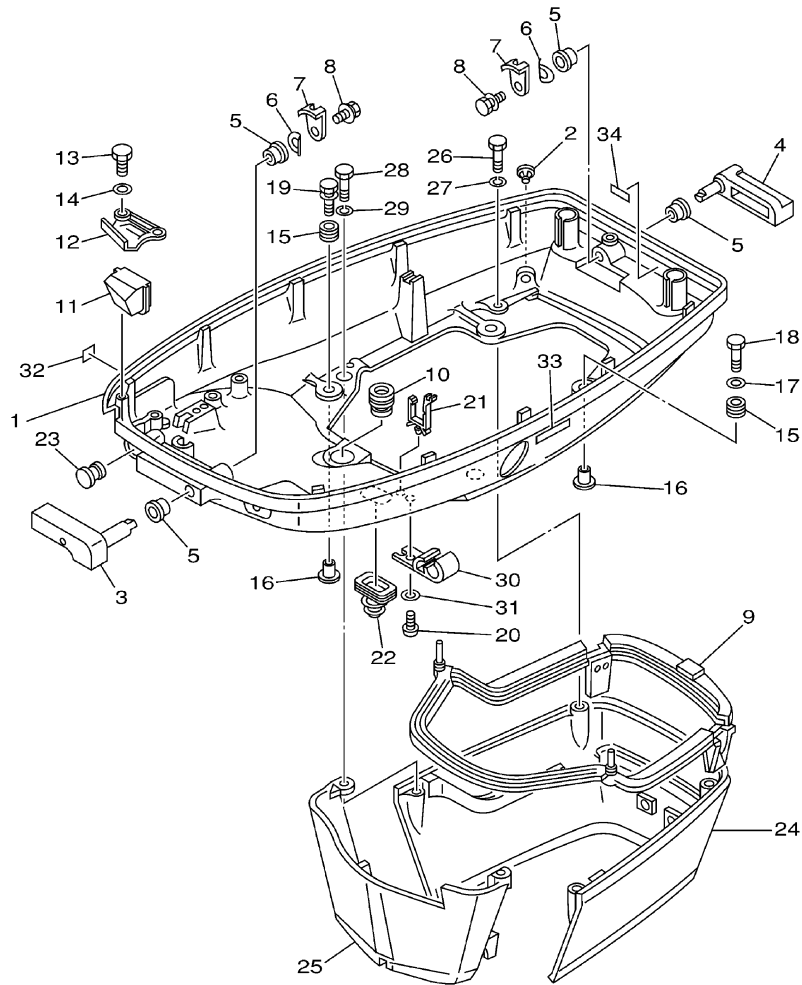


FIG. 11 BOTTOM COWLING

CUBIERTA INFERIOR

REF. NO.	PART NO. CODIGO NO.	DESCRIPTION DESCRIPTION	90A				REMARKS OBSERVACION
1	6H1-42711-01-4D	COWLING, BOTTOM CUBIERTA INFERIOR	1				
2	6H3-44391-01	NIPPLE, HOSE NIPLE MANGUERA	1				
3	688-42815-01-4D	LEVER, CLAMP PALANCA ABRAZADERA	1				
4	688-42817-01-4D	LEVER, CLAMP PALANCA ABRAZADERA	1				
5	90386-13M38	BUSH BUJE	4				
6	90206-13019	WASHER, WAVE ARANDELA ONDULADA	2				
7	688-42816-00	LEVER, CLAMP PALANCA ABRAZADERA	2				
8	90119-06M09	BOLT, WITH WASHER TORNILLO CON ARANDELA	2				
9	688-42716-02	RUBBER, SEAL 1 SELLO DE GOMA 1	1				
10	663-42724-00	GROMMET TAPON	1				
11	688-42725-10	GROMMET TAPON	1				
12	688-42738-01-94	PLATE, FITTING PLACA DE AJUSTE	1				
13	97095-06016	BOLT PERNO	2				
14	92995-06600	WASHER ARANDELA	2				
15	90480-09M12	GROMMET TAPON	4				
16	90387-06M69	COLLAR COLLAR	4				
17	90201-06416	WASHER, PLATE ARANDELA PLANA	1				
18	97095-06030	BOLT PERNO	1				
19	90119-06M61	BOLT, WITH WASHER TORNILLO CON ARANDELA	3				
20	90157-06M01	SCREW, PAN HEAD TORNILLO CABEZA CONICA PLANA	1				
21	90464-15M08	CLAMP BRIDA	1				
22	688-42726-10	GROMMET TAPON	1				
23	6G1-42748-00	GROMMET TAPON	1				
24	688-42741-01-4D	APRON MANDIL	1				
25	688-42771-01-4D	APRON MANDIL	1				
26	97095-06020	BOLT PERNO	2				
27	92995-06100	WASHER, SPRING ARANDELA	2				

D1



6H12200-2110

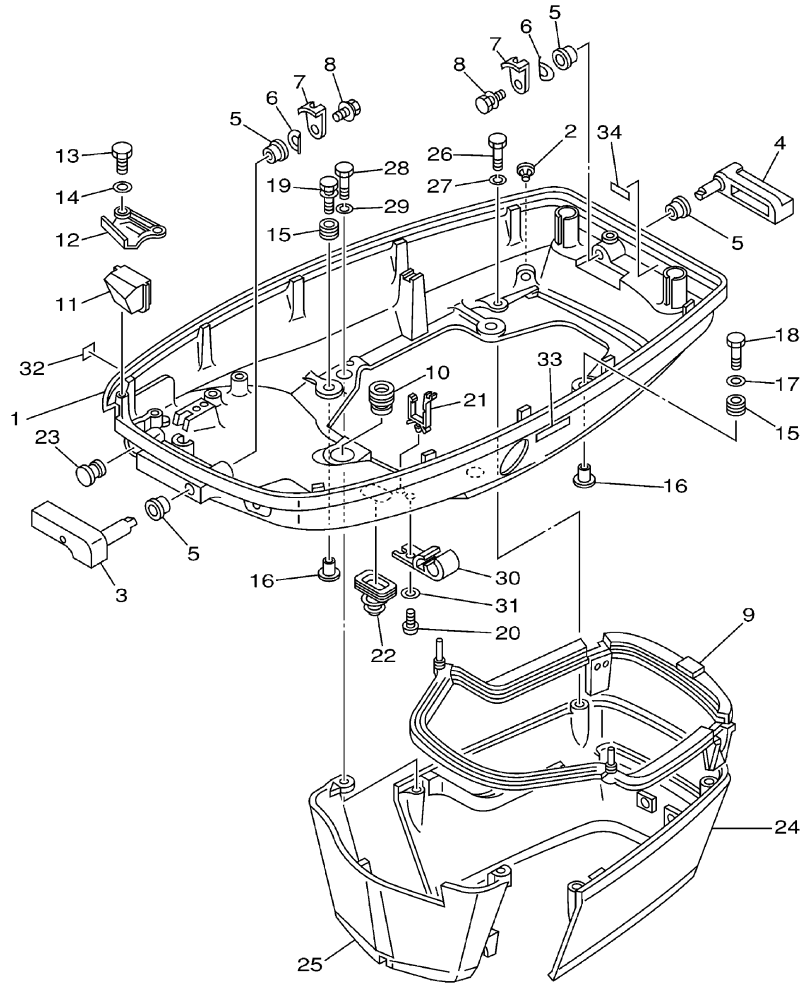
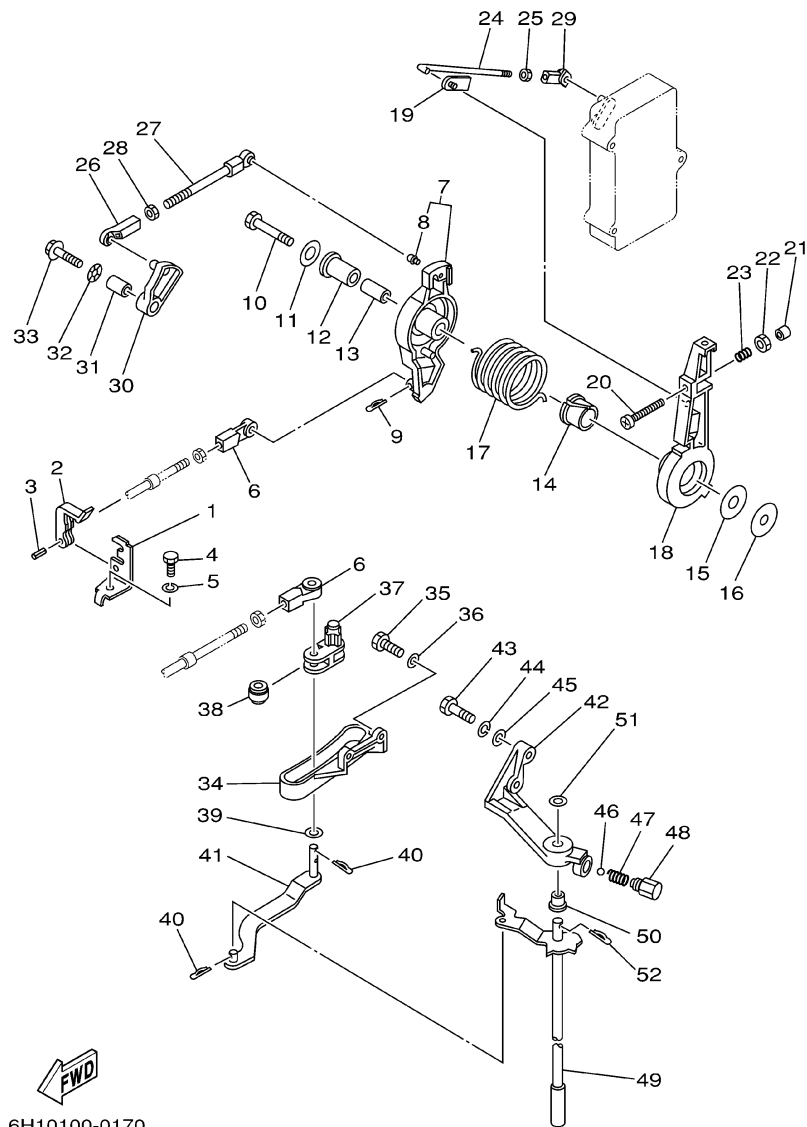


FIG. 11 BOTTOM COWLING

CUBIERTA INFERIOR

REF. NO.	PART NO. CODIGO NO.	DESCRIPTION DESCRIPTION	90A			REMARKS OBSERVACION
28	97095-06030	BOLT PERNO	2			
29	92995-06100	WASHER, SPRING ARANDELA	2			
30	6E5-24367-01	CLAMP, FUEL PIPE 2 GRAMPA DE TUBO DE COMBUST.2	1			
31	92990-06600	WASHER, PLATE ARANDELA	1			
32	6A1-28176-00	LABEL, CAUTION ETIQUETA DE PRECAUCION	1			FOR CARIB
33	6E3-8257H-00	PLATE, MARK PLACA DE MARCA	1			FOR CARIB
34	6G5-42791-00	MARK 1 MARCA 1	1			FOR BRAZIL
	6G5-42791-10	MARK 1 MARCA 1	1			FOR CARIB
<hr/>						
<hr/>						
<hr/>						
<hr/>						
<hr/>						
<hr/>						
<hr/>						
<hr/>						
<hr/>						
<hr/>						

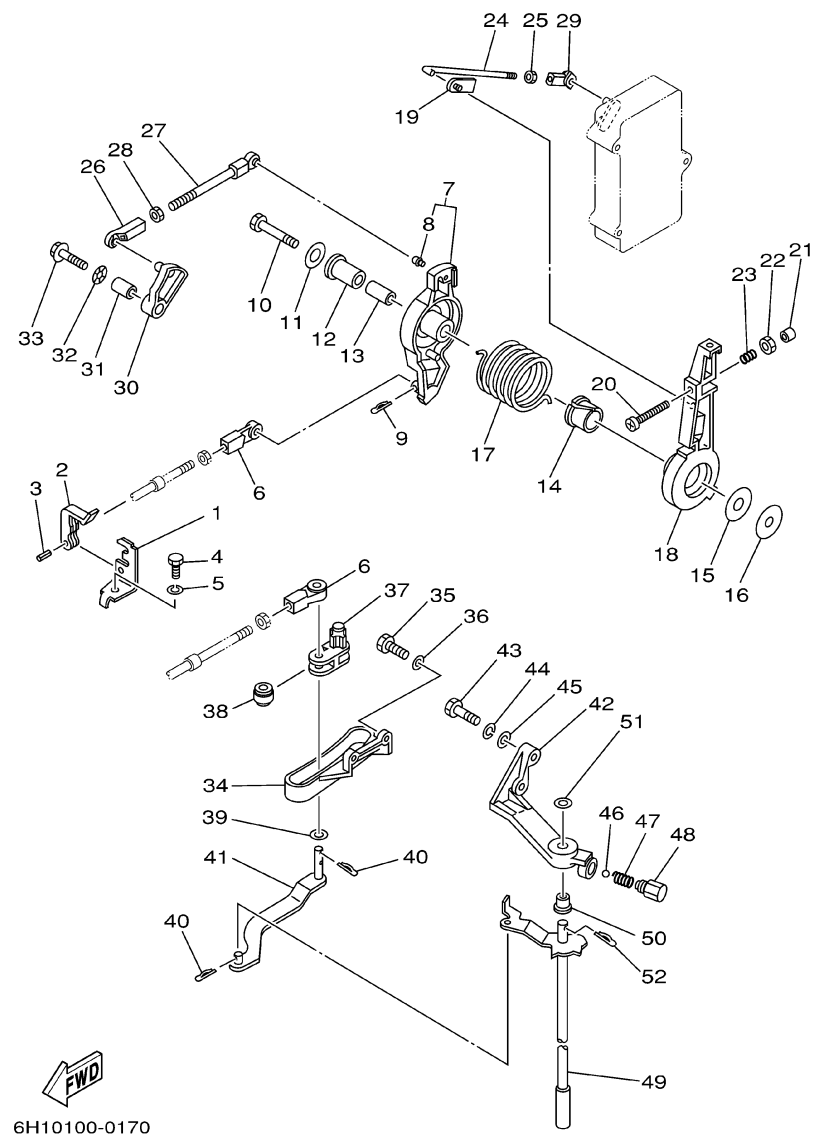


6H10100-0170

FIG. 12 CONTROL

CONTROL

REF. NO.	PART NO. CODIGO NO.	DESCRIPTION DESCRIPTION	90A				REMARKS OBSERVACION
1	663-48531-00	BRACKET, REMOTE CONTROL 1 SOPORTE DE CONTROL REMOTO	1				
2	663-48538-00	CLAMP, CABLE 1 GRAMPA DE CABLE	1				
3	91690-30012	PIN, SPRING PASADOR DE RESORTE	1				
4	97095-08016	BOLT PERNO	1				
5	92995-08100	WASHER ARANDELA	1				
6	663-48344-00	CABLE END, REMOTE CONTROL BASE CONTROL	2				
7	688-41632-01-94	LEVER, MAGNETO CONTROL PALANCA DE CONTROL DE MAGNETO	1				
8	662-41214-01	JOINT 1 .CONECTOR	1				
9	90468-18008	CLIP PRESILLA	1				
10	97095-08045	BOLT PERNO	1				
11	90201-08M23	WASHER, PLATE ARANDELA PLANA	1				
12	90386-12089	BUSH BUJE	1				
13	90387-08M16	COLLAR COLLAR	1				
14	90386-22M13	BUSH BUJE	1				
15	90202-12092	WASHER, PLATE ARANDELA DE PLANA	1				
16	90201-08M13	WASHER, PLATE ARANDELA PLANA	1				
17	90508-29M05	SPRING, TORSION RESORTE DE TORSION	1				
18	688-41631-01-94	LEVER, MAGNETO CONTROL PALANCA DE CONTROL DE MAGNETO	1				
19	6F5-41237-00	JOINT, LINK CONECTOR	1				
20	90157-06013	SCREW, PAN HEAD TORNILLO CABEZA CONICA PLANA	1				
21	688-44194-00	CAP TAPA	1				
22	95303-06600	NUT TUERCA	1				
23	90501-16M12	SPRING, COMPRESSION RESORTE DE COMPRESION	1				
24	6H1-41636-00	ROD, MAGNETO CONTROL VARILLA DE CONTROL MAGNETO	1				
25	95380-05600	NUT TUERCA	1				
26	662-41237-01	JOINT, LINK CONECTOR	1				
27	688-41211-01	LINK, ACCEL. ESLABON, ACELERADOR	1				



6H10100-0170

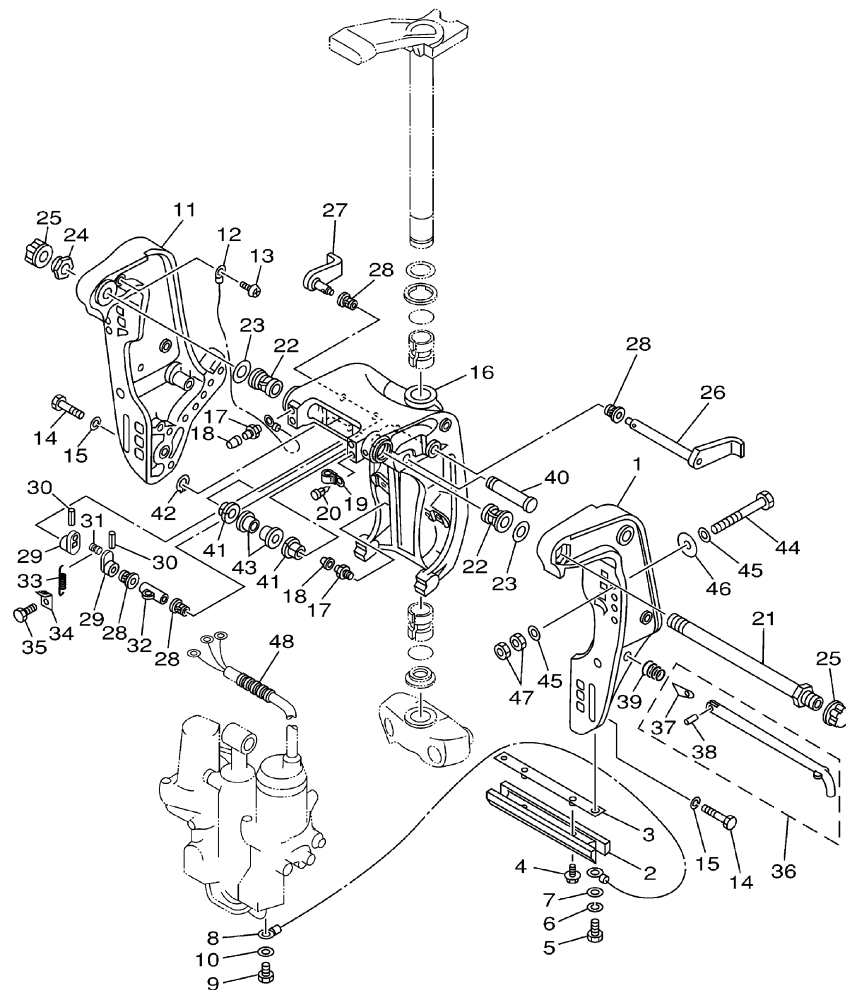
FIG. 12 CONTROL

CONTROL

REF. NO.	PART NO. CODIGO NO.	DESCRIPTION DESCRIPTION	90A				REMARKS OBSERVACION
28	95380-05600	NUT TUERCA	1				
29	682-41237-00	JOINT, LINK CONECTOR	1				
30	6H1-41213-00	CAM, ACCEL. LEVA ACELERADOR	1				
31	90387-06M17	COLLAR COLLAR	1				
32	90206-10M04	WASHER, WAVE ARANDELA ONDULADA	1				
33	90119-06M24	BOLT, WITH WASHER TORNILLO CON ARANDELA	1				
34	688-44117-00-94	BRACKET SOPORTE	1				
35	97013-06020	BOLT PERNO	2				
36	92903-06600	WASHER, PLATE ARANDELA	2				
37	688-44124-00	LINK, SHIFT ROD ESLABON	1				
38	688-44122-00	BUSHING, SHIFT ROD LEVER BUJE PALANCA VARILLA DE CAMBIO	1				
39	90202-07M07	WASHER, PLATE ARANDELA DE PLANA	1				
40	90468-18008	CLIP PRESILLA	3				
41	6H1-44121-00	LEVER, SHIFT ROD PALANCA VARILLA CAMBIOS	1				
42	688-44118-00-94	BRACKET SOPORTE	1				
43	97013-08030	BOLT PERNO	2				
44	92903-08100	WASHER, SPRING ARANDELA	2				
45	92903-08600	WASHER, PLATE ARANDELA	2				
46	93501-04M02	BALL BOLA	1				
47	90501-12082	SPRING, COMPRESSION RESORTE DE COMPRESION	1				
48	648-42715-00	BUSHING BUJE	1				
49	6H1-44120-12	HANDLE GEAR SHIFT ASSY MANIJA DE CAMBIO COMPL	1				L
	6H1-44120-22	HANDLE GEAR SHIFT ASSY MANIJA DE CAMBIO COMPL	1				X
50	90386-07M58	BUSH BUJE	1				
51	92990-08200	WASHER, PLAIN ARANDELA	1				
52	90468-18008	CLIP PRESILLA	1				

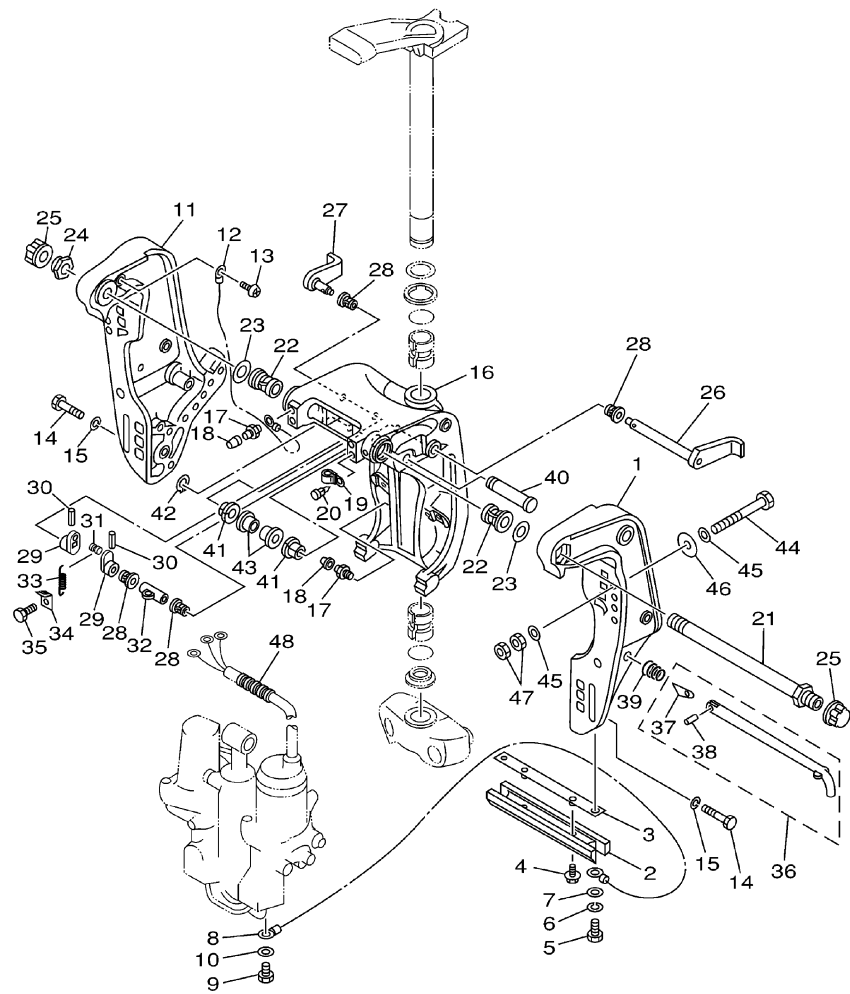
FIG. 13 BRACKET 1

SOPORTE 1



6H10010-0151

REF. NO.	PART NO. CODIGO NO.	DESCRIPTION DESCRIPTION	90A	REMARKS OBSERVACION
1	6H1-43111-01-4D	BRACKET, CLAMP SOPORTE DE LA ABRAZADERA	1	
2	6H1-45251-03	ANODE CATODE	1	
3	6H1-44526-00	PLATE PLACA 1	1	
4	90119-06M29	BOLT, WITH WASHER TORNILLO CON ARANDELA	2	
5	97095-06016	BOLT PERNO	2	
6	92995-06100	WASHER, SPRING ARANDELA	2	
7	92995-06600	WASHER ARANDELA	2	
8	6H1-82148-00	WIRE, LEAD 4 CABLE CONDUCTOR 4	1	
9	97095-06010	BOLT PERNO	1	
10	92995-06600	WASHER ARANDELA	1	
11	6H1-43112-00-4D	BRACKET, CLAMP SOPORTE DE LA ABRAZADERA	1	
12	6E5-82148-00	WIRE, LEAD 4 CABLE CONDUCTOR 4	1	
13	97880-06012	SCREW, PAN HEAD TORNILLO DE CABEZA CON PLANA	1	
14	97095-10045	BOLT PERNO	6	
15	92995-10100	WASHER ARANDELA	6	
16	6H1-43311-01-4D	BRACKET, SWIVEL 1 SOPORTE GIRATORIO 1	1	
17	93700-06M03	NIPPLE, GREASE NIPLE DE ENGRASAR	3	
18	663-45119-00	CAP, GREASE NIPPLE TAPA DE GRASERA	3	
19	90464-11M18	CLAMP BRIDA	1	
20	90338-05M03	PLUG TAPON	1	
21	688-43131-03	BOLT, CLAMP BRACKET TORNILLO DE ABRAZADERA DEL SOP	1	
22	90386-22M15	BUSH BUJE	2	
23	90201-22M67	WASHER, PLATE ARANDELA PLANA	2	
24	90185-22043	NUT, SELF-LOCKING TUERCA AUTOBLOCANTE	1	
25	6G5-43145-01	CAP, CLAMP BRACKET TAPA	2	
26	6H1-43181-01	LEVER, TILT STOP PALANCA TOPE INCLINACION	1	
27	6H1-43185-01	LEVER, TILT STOP PALANCA TOPE INCLINACION	1	



6H10010-0151

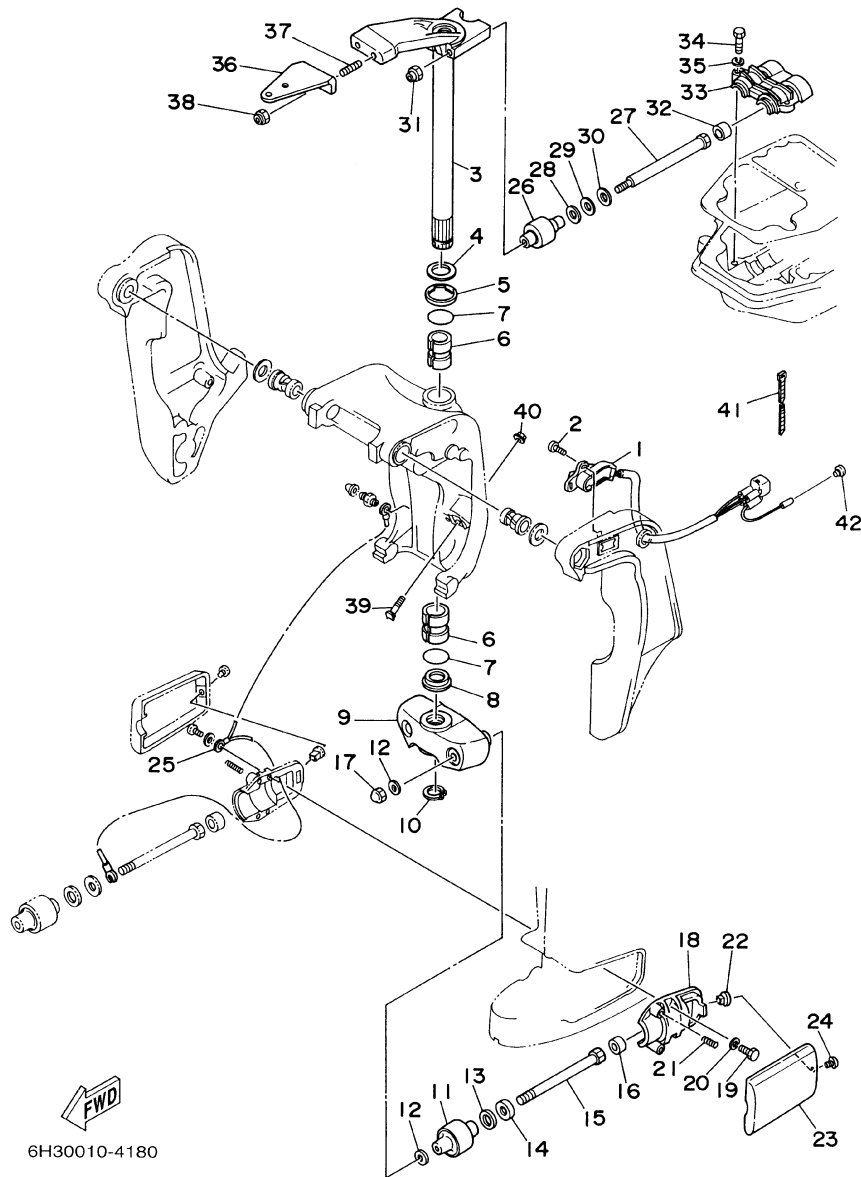
FIG. 13 BRACKET 1

SOPORTE 1

REF. NO.	PART NO. CODIGO NO.	DESCRIPTION DESCRIPTION	90A				REMARKS OBSERVACION
28	90386-10M16	BUSH BUJE	4				
29	6G5-43148-00	COLLAR, DISTANCE COLLAR	2				
30	91690-30020	PIN, SPRING PASADOR DE RESORTE	2				
31	90249-06M19	PIN PASADOR	1				
32	90387-10M02	COLLAR COLLAR	1				
33	90506-14M24	SPRING, TENSION RESORTE DE TENSION	1				
34	6G5-43144-00	HOOK, SPRING GANCHO	1				
35	97095-06010	BOLT PERNO	1				
36	688-43160-01	TILT ROD ASSY VARILLA DE BASCULACION COMPL.	1				
37	688-43165-00	PLATE, TILT LOCK PLACA DE TOPE, VARILLA SEGUR!	1				
38	91690-30012	PIN, SPRING PASADOR DE RESORTE	1				
39	90502-16M02	SPRING, CONICAL RESORTE CONICO	1				
40	6E5-43126-02	PIN, UPPER SHOCK MOUNT PASADOR DE AMORTIGUADOR SUPERI	1				
41	90386-18M35	BUSH BUJE	2				
42	93410-18M02	CIRCLIP BOLA	1				
43	90386-18M63	BUSH BUJE	2				
44	90101-12M65	BOLT TORNILLO	4				
45	92995-12200	WASHER ARANDELA	8				
46	90201-12426	WASHER, PLATE ARANDELA PLANA	4				
47	95380-12600	NUT TUERCA	8				
48	90440-14M00	PIPE TUBO	1				

FIG. 14 BRACKET 2

SOPORTE 2

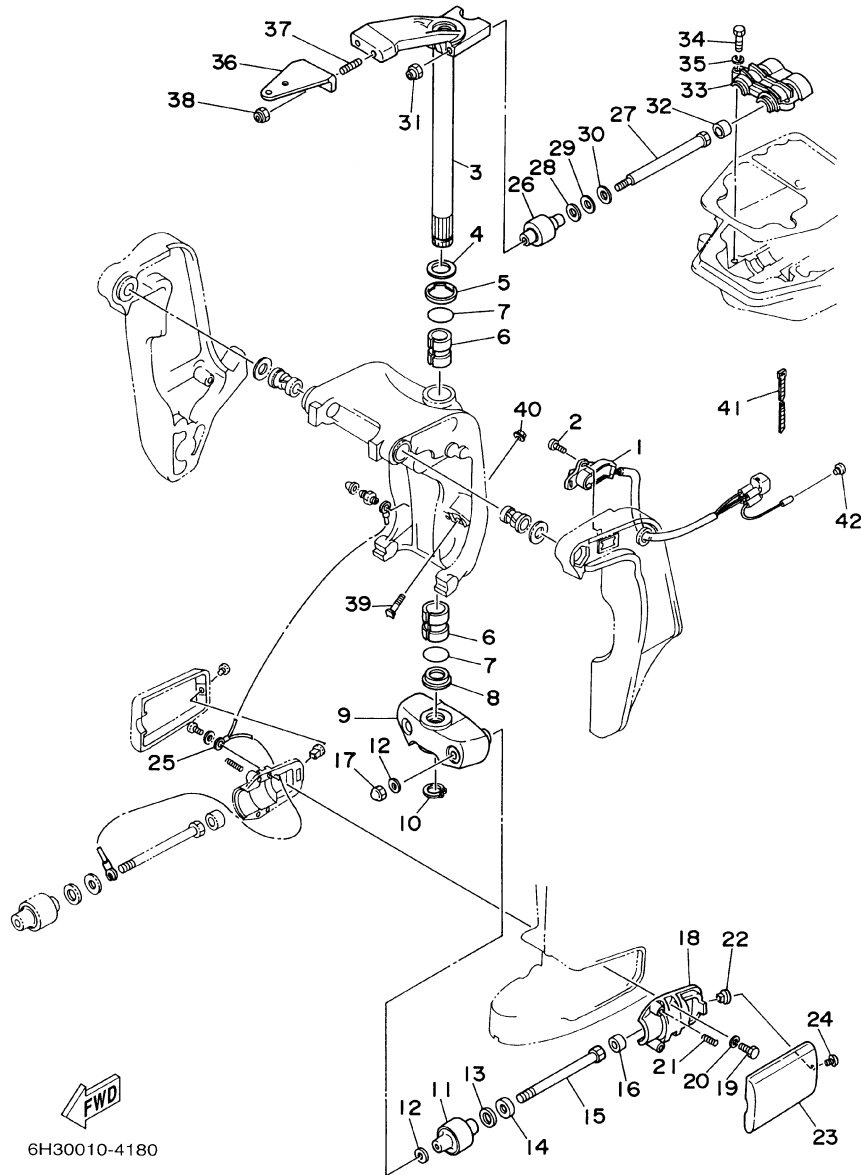


6H30010-4180

REF. NO.	PART NO. CODIGO NO.	DESCRIPTION DESCRIPTION	90A				REMARKS OBSERVACION
1	6H1-83672-12	TRIM SENDER TRANSMISOR DE INCLINADOR	1				
2	97885-06016	SCREW, PAN HEAD TORNILLO DE CABEZA CON PLANA	2				
3	688-42510-02-4D	STEERING BRACKET ASSY SOPORTE DIRECCION COMPL.	1				
4	90201-30M00	WASHER, PLATE ARANDELA PLANA	1				
5	90386-30M78	BUSH BUJE	1				
6	90386-30M77	BUSH BUJE	2				
7	93210-29M94	O-RING ANILLO O	2				
8	90386-30M60	BUSH BUJE	1				
9	663-44551-02-4D	HOUSING, LOWER MOUNT RUBBER CAJA AMORTIGUADOR INFERIOR HU	1				
10	93410-28M06	CIRCLIP BOLA	1				
11	687-44555-00-94	MOUNT DAMPER, LOWER SIDE AMORTIGUADOR DE HULE LADO INFE	2				
12	90201-12M16	WASHER, PLATE ARANDELA PLANA	4				
13	90202-25M04	WASHER, PLATE ARANDELA DE PLANA	2				
14	90201-13M19	WASHER, PLATE ARANDELA PLANA	2				
15	90109-12261	BOLT PERNO	2				
16	663-44575-00	DAMPÉR, LOWER MOUNT RUBBER AMORTIGUADOR INFERIOR	2				
17	95380-12800	NUT, CROWN TUERCA	2				
18	687-44552-02-94	HOUSING, LOWER MOUNT RUBBER CAJA AMORTIGUADOR INFERIOR HU	2				
19	97075-08025	BOLT PERNO	4				
20	92995-08100	WASHER ARANDELA	4				
21	90501-14M08	SPRING, COMPRESSION RESORTE DE COMPRESION	4				
22	90179-06066	NUT TUERCA	2				
23	663-44553-01-4D	COVER, LOWER MOUNT CUBIERTA, AMORTIGUADOR INFERIOR	2				
24	97885-06016	SCREW, PAN HEAD TORNILLO DE CABEZA CON PLANA	2				
25	688-82127-02	WIRE, LEAD 2 CABLE CONDUCTOR 2	1				
26	688-44514-00-94	MOUNT DAMPER, UPPER SIDE AMORTIGUADOR LADO SUPERIOR	2				
27	90101-10M49	BOLT TORNILLO	2				

FIG. 14 BRACKET 2

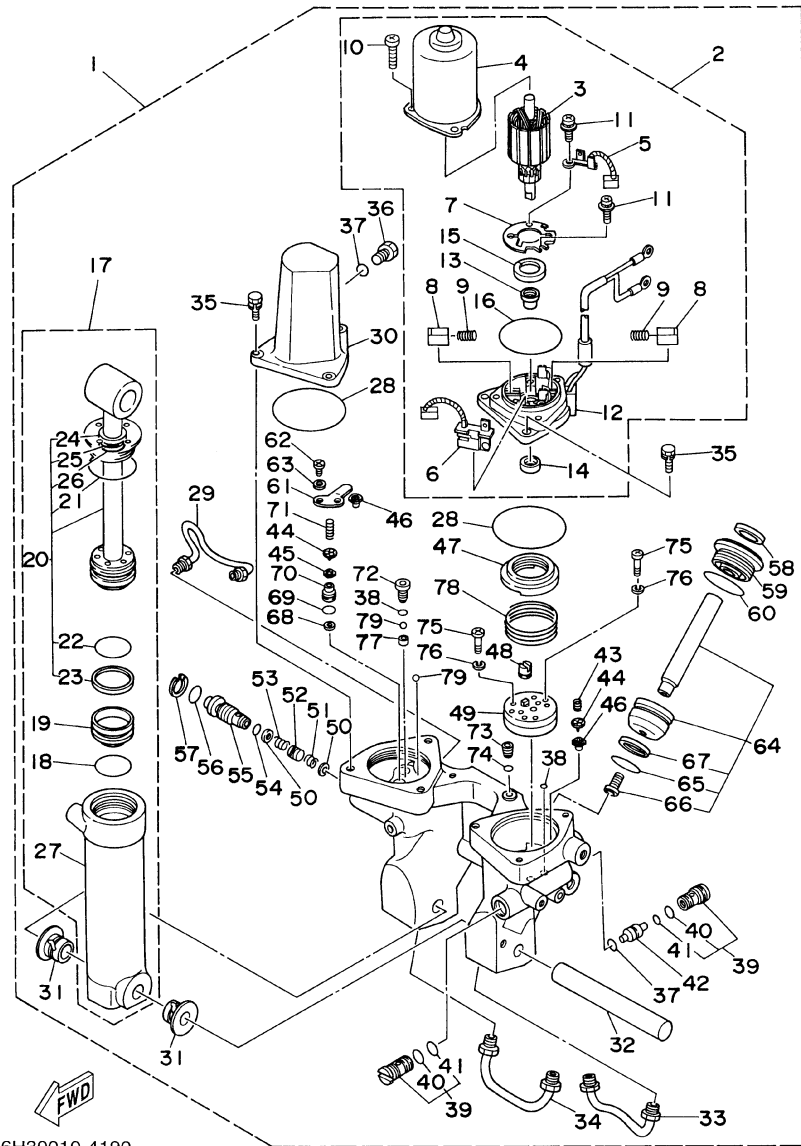
SOPORTE 2



6H30010-4180

REF. NO.	PART NO. CODIGO NO.	DESCRIPTION DESCRIPTION	90A	REMARKS OBSERVACION
28	90201-20M21	WASHER, PLATE ARANDELA PLANA	2	
29	90202-20M06	WASHER, PLATE ARANDELA DE PLANA	2	
30	90201-11M22	WASHER, PLATE ARANDELA PLANA	2	
31	90185-10051	NUT, SELF-LOCKING TUERCA AUTOBLOCANTE	2	
32	663-44575-00	DAMPER, LOWER MOUNT RUBBER AMORTIGUADOR INFERIOR	2	
33	688-44511-00-94	COVER, UPPER MOUNT CUBIERTA AMORTIGUADOR SUPERIOR	1	
34	97075-08035	BOLT PERNO	3	
35	92995-08100	WASHER ARANDELA	3	
36	688-48511-11-4D	HOOK, STEERING GANCHO DIRECCION	1	STEERING GUIDE TYPE
37	90116-10175	BOLT, STUD ESPARRAGO	2	
38	90185-10051	NUT, SELF-LOCKING TUERCA AUTOBLOCANTE	2	
39	6H1-43376-00	BOLT, THRUST RECEIVER TORNILLO RECEPTOR	2	
40	90185-08057	NUT, SELF-LOCKING TUERCA AUTOBLOCANTE	2	
41	90465-11M10	CLAMP BRIDA	3	
42	703-82119-00	COVER, LEAD WIRE CUBIERTA DE CABLE CONDUCTOR	1	AP

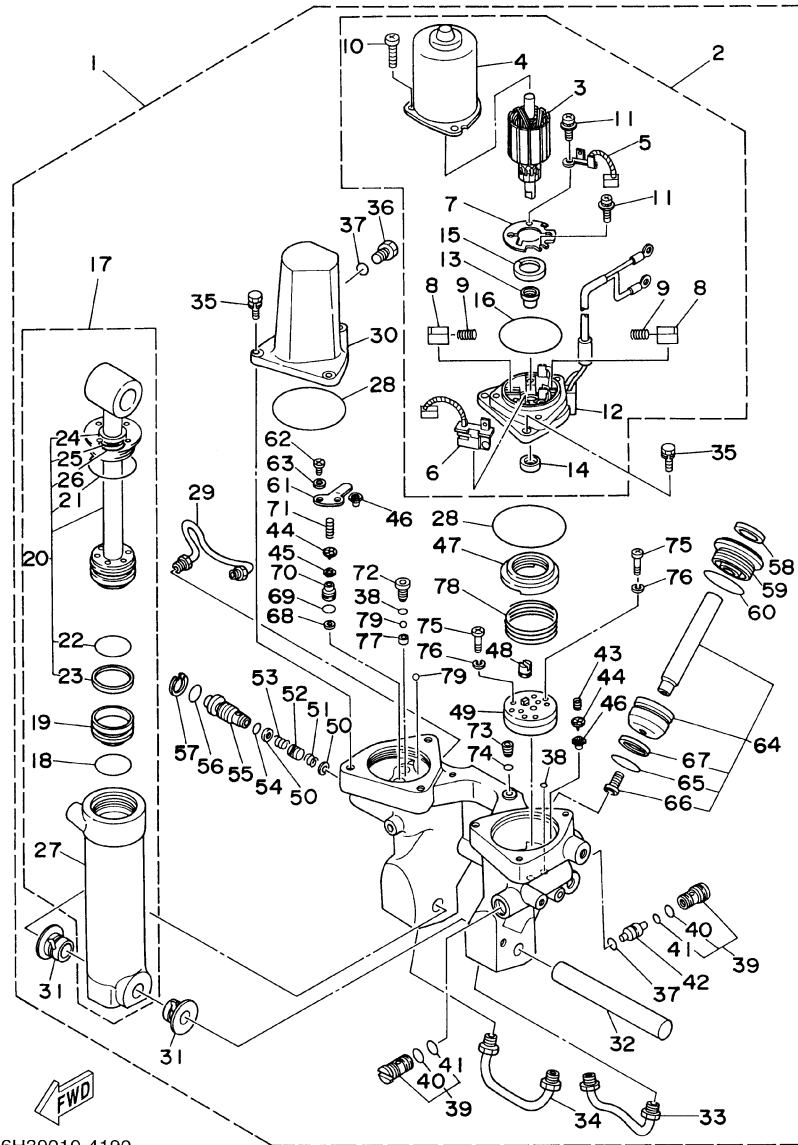
FIG. 15 POWER TRIM & TILT ASSY COMPONER Y PODER VARILLA



6H30010-4190

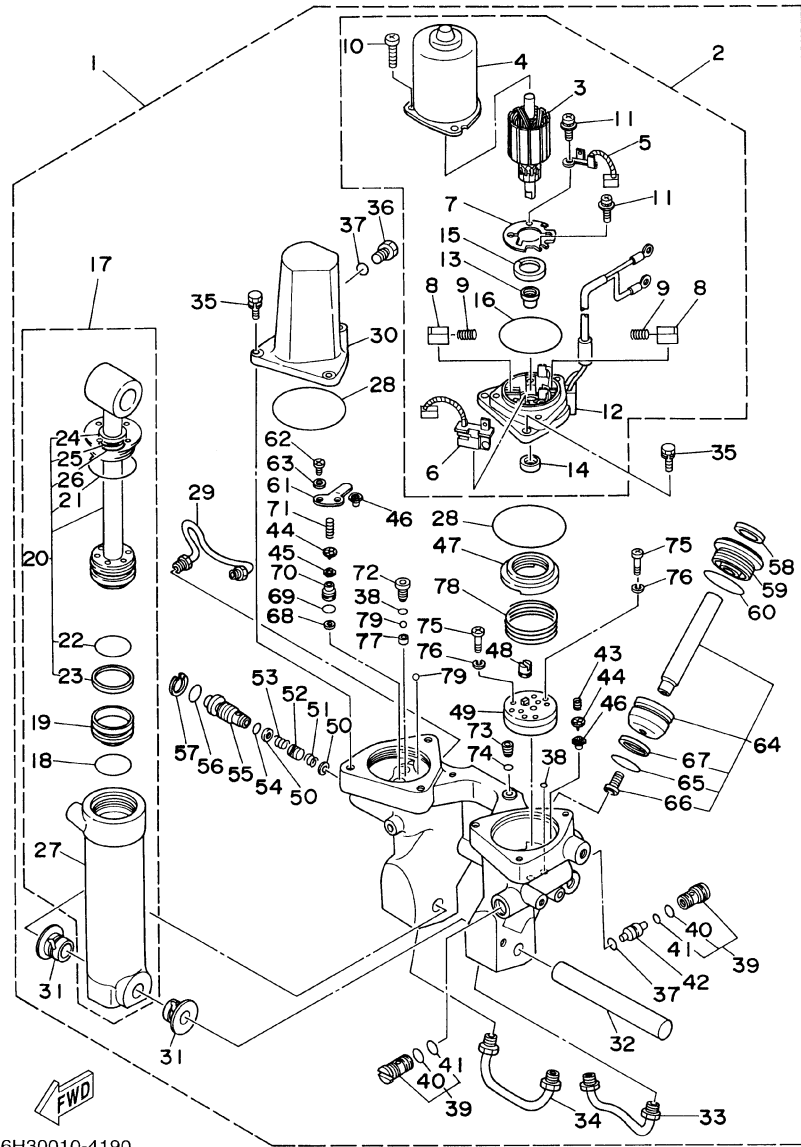
REF. NO.	PART NO. CODIGO NO.	DESCRIPTION DESCRIPTION	90A	REMARKS OBSERVACION
1	6H1-43800-16-4D	POWER TRIM & TILT ASSY ELEVADOR HIDRAULICO COMPL	1	
2	6H1-43880-02	..MOTOR ASSY ..MOTOR COMPL.	1	
3	6H1-43805-10	..ARMATURE ASSY ..INDUCIDO COMPL.	1	
4	6H1-43804-10	..STATOR ASSY ..ESTATOR COMPL	1	
5	6H1-43891-10	..BRUSH 1 ..ESCOBILLA 1	1	
6	6H1-43892-10	..BRUSH 2 ..ESCOBILLA 2	1	
7	6H1-4380F-10	..PLATE, BRUSH HOLDER ..PLACA	1	
8	6H1-4380J-10	..HOLDER, BRUSH ..PORTAESCOBILLA	2	
9	6H1-4386K-10	..SPRING, BRUSH ..RESORTE, ESCOBILLA	2	
10	97885-05016	..SCREW, PAN HEAD ..TORNILLO DE CABEZA CON PLAN	3	
11	97607-04310	..SCREW, PAN HEAD WITH WASHER ..TORNILLO CAB CON PLANA C/ARA	2	
12	6H1-43881-10	..FRAME, END ..CUADRO EXTERMO	1	
13	6H1-4380H-10	..METAL ..METAL	1	
14	93102-08M43	..OIL SEAL ..SELLO ACEITE	1	
15	6H1-4380G-10	..PLATE ..PLACA	1	
16	6H1-43865-10	..O-RING ..ANILLO EN O 5	1	
17	6H1-43840-11	..POWER TILT ASSY ..CONJUNTO COMPONER	1	
18	6H1-43861-10	..O-RING ..ANILLO EN O 1	1	
19	6H1-43814-11	..PISTON, FREE ..PISTON LIBRE	1	
20	6H1-43810-11	..TILT PISTON SUB ASSY ..ELEVADOR SUB-PISTON COMPL	1	
21	6H1-43861-00	..O-RING ..ANILLO EN O 1	1	
22	6H1-43861-10	..O-RING ..ANILLO EN O 1	1	
23	6H1-43871-10	..RING, BACK UP ..ANILLO	1	
24	6H1-43812-00	..SEAL, DUST ..SELLO DE POLVO	1	
25	6H1-43872-10	..RING, BACK UP ..ANILLO	1	
26	93210-18397	..O-RING ..ANILLO O	1	
27	6H1-43813-10	..CYLINDER, TILT ..CILINDRO INCLINACION	1	

FIG. 15 POWER TRIM & TILT ASSY COMPONER Y PODER VARILLA



6H30010-4190

REF. NO.	PART NO. CODIGO NO.	DESCRIPTION DESCRIPTION	90A				REMARKS OBSERVACION
28	93210-64488	.O-RING .ANILLO O	2				
29	6H1-43835-10	.PIPE .TUBO 3	1				
30	6H1-43828-10	.BODY, RESERVOIR .CUERPO DEPOSITO	1				
31	90386-18M14	.BUSH .BUJE	2				
32	6E5-43818-00	.PIN, LOWER SHOCK MOUNT .PASADOR AMORTIGUADOR INFERIOR	1				
33	6H1-43833-10	.PIPE .TUBO 1	1				
34	6H1-43834-00	.PIPE .TUBO 2	1				
35	97595-06420	.BOLT, WITH WASHER .PERNO CON ARANDELA RONDELLE	6				
36	6H1-43829-00	.PLUG, RESERVOIR .TAPON DEPOSITO	1				
37	93210-09165	.O-RING .ANILLO O	2				
38	93210-064A5	.O-RING .ANILLO O	3				
39	6T4-43802-03	.VALVE SUB ASSY .VALVULA PRINCIPAL COMPL.	2				
40	6H1-43866-00	.O-RING .ANILLO EN O 6	1				
41	6H1-43867-00	.O-RING .ANILLO EN O 7	1				
42	6H1-43841-11	.PISTON, SHUTTLE .PISTON	1				
43	6H1-43856-10	.SPRING, DOWN RELIEF .RESORTE SEGURIDAD	1				
44	6H1-43844-10	.PIN, VALVE SUPPORT .PASADOR VALVULA SOPORTE	2				
45	6H1-4384G-11	.SEAL, RELIEF VALVE .ASIENTO	1				
46	6H1-4384F-10	.SEAL, MAIN VALVE .ASIENTO	2				
47	6H1-43817-01	.FILTER 2 .FILTRO 2	1				
48	6H1-43831-10	.CONNECTOR, SHAFT .CONEXION EJE	1				
49	6H1-43830-11	.GEAR PUMP ASSY .ENGRANAJE BOMBA COMPL.	1				
50	6H1-43847-00	.SEAT, MANUAL VALVE .ASIENTO VALVULA MANUAL	2				
51	6H1-43899-00	.SPRING, MANUAL RELEASE .PLACA	1				
52	6H1-4382A-10	.ADAPTOR 1 .ADAPTADOR 1	1				
53	6H1-43854-00	.SPRING, MANUAL RELEASE .RESORTE DESCOPLIO MANUAL	1				
54	93210-10M74	.O-RING .ANILLO O	1				



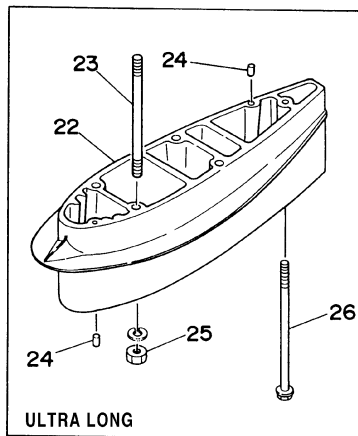
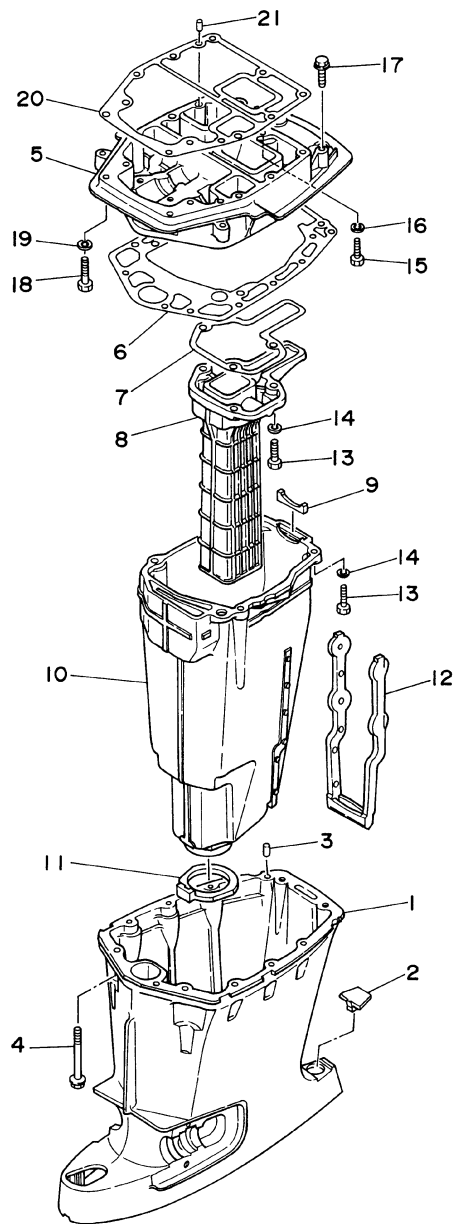
6H30010-4190

FIG. 15 POWER TRIM & TILT ASSY COMPONER Y PODER VARILLA

REF. NO.	PART NO. CODIGO NO.	DESCRIPTION DESCRIPTION	90A	REMARKS OBSERVACION
55	6H1-43845-00	.SCREW, MANUAL RELEASE .TORNILLO DESCOPLO MANUAL	1	
56	93210-18M75	.O-RING .ANILLO O	1	
57	6H1-43875-00	.RING, SNAP .ANILLO	1	
58	6H1-43822-10	.SEAL, TRIM DUST .SELLO DE POLVO	2	
59	6H1-43821-11	.SCREW, TRIM CYLINDER END .TORNILLO CILINDURO EXTREMO	2	
60	6H1-43861-10	.O-RING .ANILLO EN O 1	2	
61	6H1-4384E-20	.SPRING, TRIM .RESORTO	1	
62	98501-05010	.SCREW, PAN HEAD .TORNILLO DE CABEZA CON PLANA	2	
63	92901-05200	.WASHER, PLAIN .ARANDELA	2	
64	6H1-43820-11	.TRIM PISTON SUB ASSY .ELEVADOR PISTON COMPL.	2	
65	6H1-43864-00	.O-RING .ANILLO EN O 4	1	
66	91318-08016	.BOLT .PERNO	1	
67	6H1-43874-00	.RING, BACK UP .ANILLO	1	
68	6H1-43816-00	FILTER 1 .FILTRO 1	1	
69	6H1-43896-00	O-RING .ANILLO EN O	1	
70	6H1-43895-12	.SEAT, RELIEF VALVE .ASIENTO	1	
71	6H1-43855-11	.SPRING, UP RELIEF .RESORTE SEGURIDAD SUPERIOR	1	
72	6H1-43843-11	.SCREW, VALVE LOCK .TORNILLO	1	
73	6H1-4388E-11	.PLUG, TAPER SCREW .TAPON	1	
74	6H1-43868-00	.O-RING .ANILLO EN O 8	1	
75	98501-04025	.SCREW, PAN HEAD .TORNILLO DE CABEZA CON PLANA	4	
76	92901-04100	.WASHER, SPRING .ARANDELA	4	
77	6H1-4387J-00	.WASHER, SPECIAL 2 .FILTRO2	1	
78	6H1-4385H-00	.SPRING, SEAL .RESORTE	1	
79	93505-32038	.BALL .BOLA	2	

FIG. 16 UPPER CASING

FUNDA SUPERIOR



REF. NO.	PART NO. CODIGO NO.	DESCRIPTION DESCRIPTION	90A				REMARKS OBSERVACION
1	688-45111-04-4D	CASING, UPPER CAJA SUPERIOR	1				
2	663-45155-10	CAP TAPA	1				
3	93606-12019	PIN, DOWEL PASADOR DE CLAVIJA	2				
4	90119-08M80	BOLT, WITH WASHER TORNILLO CON ARANDELA	8				
5	688-41137-03-94	GUIDE, EXHAUST GUJA DE ESCAPE	1				
6	688-45114-A1	GASKET, UPPER CASING EMPAQUE	1				
7	688-41134-A0	GASKET, EXHAUST MANIFOLD EMPAQUE	1				
8	688-41131-00-5B	MANIFOLD, EXT. 1 TUBO MULTIPLE DE ESCAPE	1				
9	688-41133-00	GASKET, EXHAUST MANIFOLD 1 EMPAQUE ESCAPE MULTIPLE	1				
10	688-14711-01-5B	MUFFLER 1 SILENCIADOR 1	1				
11	688-45123-00	GASKET, MUFFLER EMPAQUE SILENCIADOR	1				
12	663-14737-10	DAMPER, MUFFLER AMORTIGUADOR DE SILENCIADOR	1				
13	97075-08030	BOLT PERNO	7				
14	92995-08100	WASHER ARANDELA	7				
15	97075-08025	BOLT PERNO	1				
16	92995-08100	WASHER ARANDELA	1				
17	90119-08M79	BOLT, WITH WASHER TORNILLO CON ARANDELA	2				
18	97075-08035	BOLT PERNO	2				
19	92995-08100	WASHER ARANDELA	2				
20	688-45113-A0	GASKET, UPPER CASING EMPAQUE	1				
21	93606-12019	PIN, DOWEL PASADOR DE CLAVIJA	2				
22	688-45211-01-4D	EXTENSION EXTENSION	1				X
23	90116-10M05	BOLT, STUD ESPARRAGO	4				X
24	93606-12019	PIN, DOWEL PASADOR DE CLAVIJA	4				X
25	95380-10600	NUT TUERCA	4				X
26	90119-08M86	BOLT, WITH WASHER TORNILLO CON ARANDELA	1				X



6H10010-4200

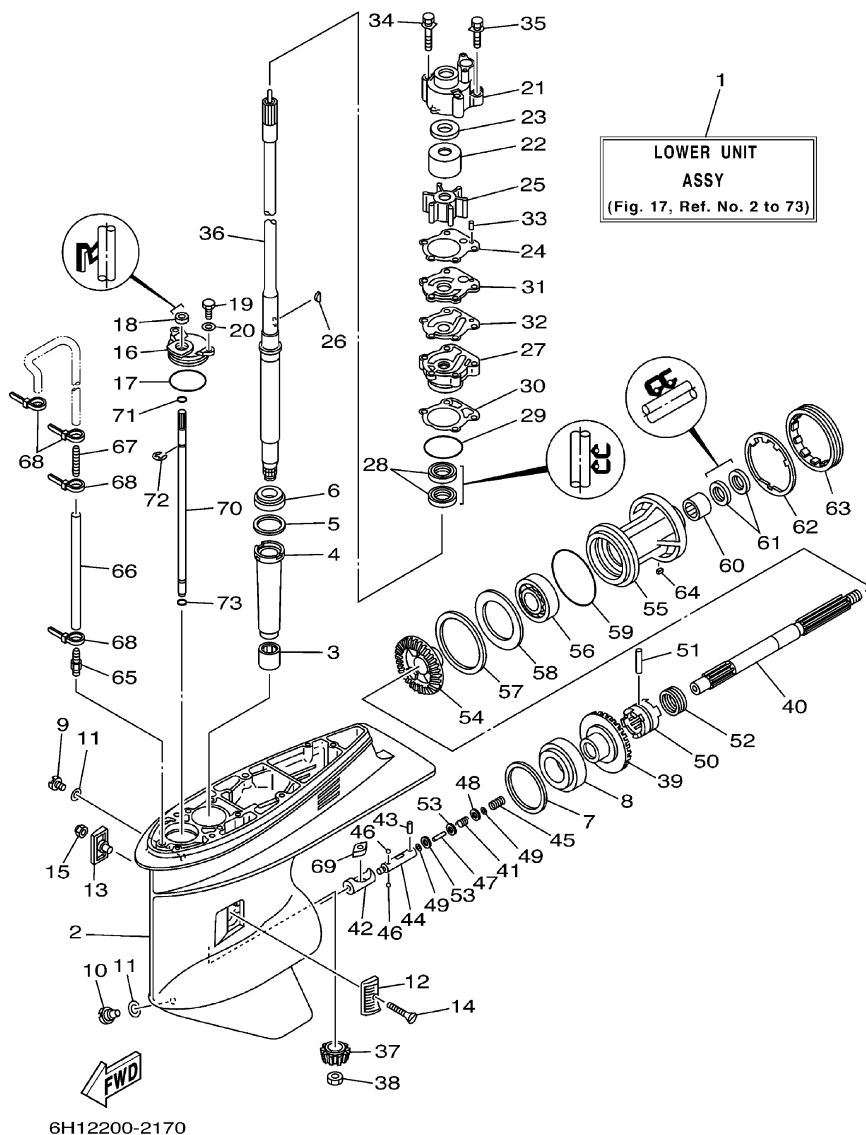


FIG. 17 LOWER CASING, DRIVE 1 IMPULSOR E INFERIOR 1

REF. NO.	PART NO. CODIGO NO.	DESCRIPTION DESCRIPTION	90A			REMARKS OBSERVACION
1	6H1-45300-15-4D	LOWER UNIT ASSY CONJUNTO UNIDAD INFERIOR	1			L
	6H1-45300-24-4D	LOWER UNIT ASSY CONJUNTO UNIDAD INFERIOR	1			X
2	6H1-45301-03-4D	CASING, LOWER FUNDA INFERIOR COMPLETA	1			
3	93315-325V1	BEARING COJINETE	1			
4	688-45536-01	SLEEVE, DRIVE SHAFT CAMISA EJE DE MANDO	1			
5	688-45587-01-10	SHIM (T:0.10MM) LAINA (T:0.10MM)	1			UR
	688-45587-01-12	SHIM (T:0.12MM) LAINA (T:0.12MM)	1			UR
	688-45587-01-15	SHIM (T:0.15MM) LAINA (T:0.15MM)	1			UR
	688-45587-01-18	SHIM (T:0.18MM) LAINA (T:0.18MM)	1			UR
	688-45587-01-30	SHIM (T:0.30MM) LAINA (T:0.30MM)	1			UR
	688-45587-01-40	SHIM (T:0.40MM) LAINA (T:0.40MM)	1			UR
	688-45587-01-50	SHIM (T:0.50MM) LAINA (T:0.50MM)	1			UR
6	93332-000U3	BEARING COJINETE	1			
7	688-45567-01-10	SHIM (T:0.10MM) LAINA (T:0.10MM)	1			UR
	688-45567-01-12	SHIM (T:0.12MM) LAINA (T:0.12MM)	1			UR
	688-45567-01-15	SHIM (T:0.15MM) LAINA (T:0.15MM)	1			UR
	688-45567-01-18	SHIM (T:0.18MM) LAINA (T:0.18MM)	1			UR
	688-45567-01-30	SHIM (T:0.30MM) LAINA (T:0.30MM)	1			UR
	688-45567-01-40	SHIM (T:0.40MM) LAINA (T:0.40MM)	1			UR
	688-45567-01-50	SHIM (T:0.50MM) LAINA (T:0.50MM)	1			UR
8	93332-000W7	BEARING COJINETE	1			
9	90340-08002	PLUG, STRAIGHT SCREW TORNILLO, DE DRENAJE	1			
10	688-45341-10	PLUG, DRAIN TAPON, DREN	1			
11	90430-08020	GASKET JUNTA	2			
12	6H1-45214-00	COVER, WATER INLET CUBIERTA ENTRADA AGUA	1			
13	6H1-45215-00	COVER, WATER INLET CUBIERTA ENTRADA AGUA	1			
14	90151-05M00	SCREW, COUNTERSUNK TORNILLO EMBUTIDO	1			

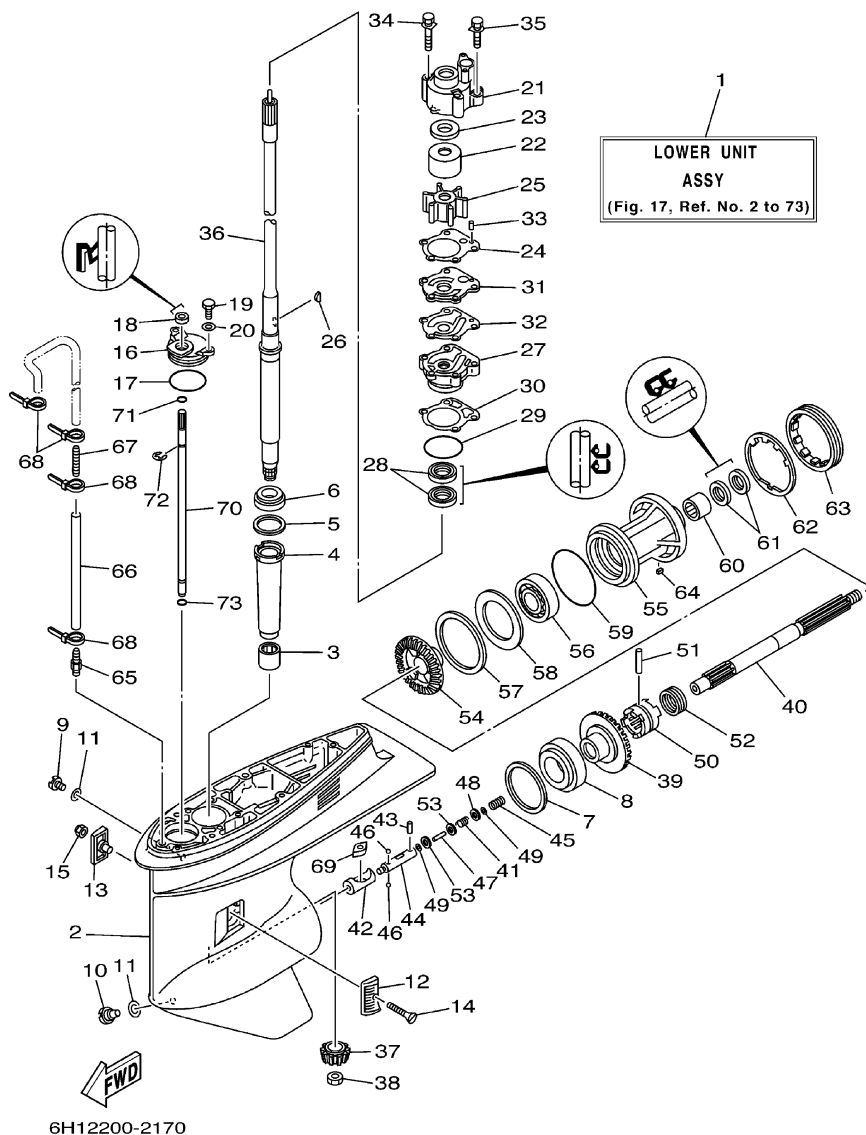
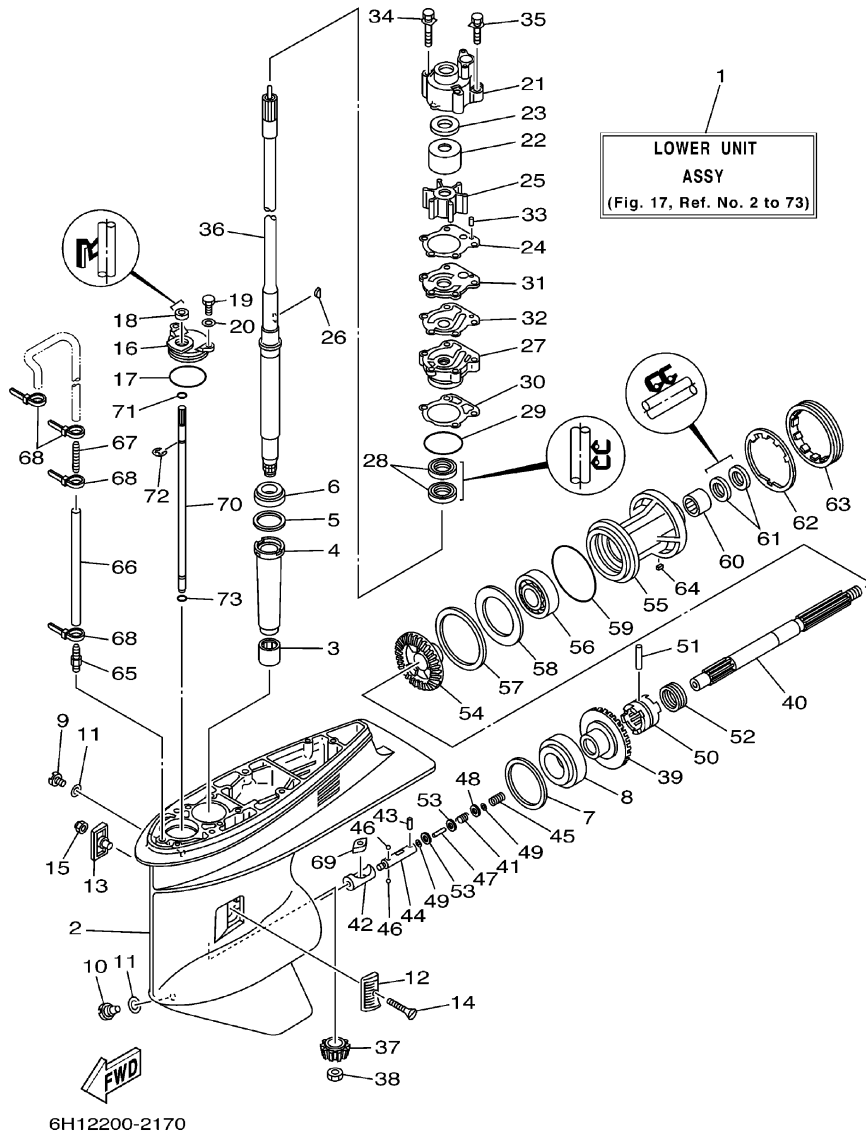


FIG. 17 LOWER CASING, DRIVE 1 IMPULSOR E INFERIOR 1

REF. NO.	PART NO. CODIGO NO.	DESCRIPTION DESCRIPTION	90A				REMARKS OBSERVACION
15	90185-05002	NUT, SELF-LOCKING TUERCA AUTOBLOCANTE	1				
16	688-45321-00	PLATE PLACA	1				
17	93210-49046	O-RING ANILLO O	1				
18	93106-09014	OIL SEAL SELLO ACEITE	1				
19	97095-06016	BOLT PERNO	2				
20	92995-06600	WASHER ARANDELA	2				
21	688-44311-01	HOUSING, WATER PUMP CAJA BOMBA DE AGUA	1				
22	688-44322-00	INSERT, CARTRIDGE CARTUCHO	1				FOR STD
	688-44322-41	INSERT, CARTRIDGE CARTUCHO	1				FOR CHROMATE
23	688-44321-41	INNER PLATE, CARTRIDGE PLACA INTERIOR, CARTUCHO	1				FOR CHROMATE
24	688-44315-A0	GASKET, WATER PUMP EMPAQUE	1				
25	688-44352-03	IMPELLER IMPULSOR	1				
26	90280-04M04	KEY, WOODRUFF CUNA WOODRUFF	1				
27	688-44341-01-94	HOUSING, WATER PUMP CAJA BOMBA DE AGUA	1				
28	93101-25M03	OIL SEAL SELLO ACEITE	2				
29	93210-46044	O-RING ANILLO O	1				
30	688-44316-A0	GASKET, WATER PUMP EMPAQUE	1				
31	688-44323-00	OUTER PLATE, CARTRIDGE PLACA EXTERIOR DEL CARTUCHO	1				FOR STD
	688-44323-40	OUTER PLATE, CARTRIDGE PLACA EXTERIOR DEL CARTUCHO	1				FOR CHROMATE
32	688-44324-A0	GASKET, CARTRIDGE EMPAQUE	1				
33	93604-10M03	PIN, DOWEL PASADOR DE CLAVIJA	2				
34	90119-08M16	BOLT, WITH WASHER TORNILLO CON ARANDELA	2				
35	90119-08M13	BOLT, WITH WASHER TORNILLO CON ARANDELA	2				
36	6H1-45501-11	DRIVE SHAFT COMP. EJE DE MANDO COMPL.	1				L
	688-45501-22	DRIVE SHAFT COMP. EJE DE MANDO COMPL.	1				X
37	688-45551-01	PINIÓN PINON	1				
38	90170-16M01	NUT TUERCA	1				

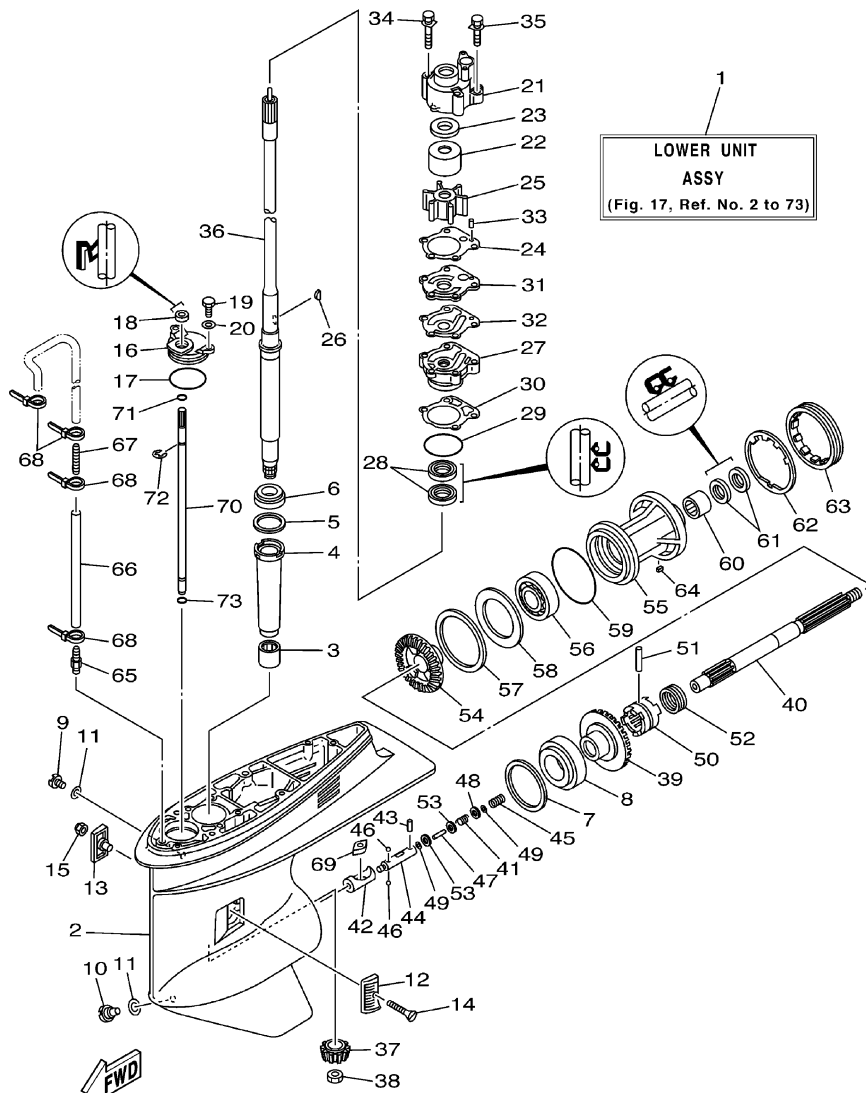
FIG. 17 LOWER CASING, DRIVE 1 IMPULSOR E INFERIOR 1



REF. NO.	PART NO. CODIGO NO.	DESCRIPTION DESCRIPTION	90A	REMARKS OBSERVACION
39	688-45560-00	GEAR ENGRANE COMPLE 1	1	
40	6H1-45611-01	SHAFT, PROPELLER EJE PROPUSOR	1	
41	90501-12M48	SPRING, COMPRESSION RESORTE DE COMPRESION	1	
42	6H1-45641-01	SHIFTER CAMBIO	1	
43	93603-12M11	PIN, DOWEL PASADOR DE CLAVIJA	1	
44	6H1-45634-02	SLIDE, SHIFT DESLIZADOR, CAMBIO	1	
45	90501-16M65	SPRING, COMPRESSION RESORTE DE COMPRESION	1	
46	93503-16003	BALL BOLA	2	
47	6H1-45668-00	SHAFT, FREE EJE	1	
48	90201-03313	WASHER, PLATE ARANDELA PLANA	1	
49	90183-02M03	NUT, SPRING TUERCA DE RESORTE	2	
50	6H1-45631-01	CLUTCH, DOG EMBRAGUE DE GARRA	1	
51	90250-07M02	PIN, STRAIGHT PASADOR CILINDRICO	1	
52	688-45633-00	RING, CROSS PIN ANILLO DE PASADOR	1	
53	6H1-45635-00	PLUNGER, SHIFT EMBOLO DE CAMBIO	2	
54	6H1-45571-00	GEAR ENGRANAJE	1	
55	688-45331-00-94	HOUSING, BEARING CAJA DE COJINETE	1	
56	93306-207U0	BEARING COJINETE	1	
57	688-45577-01-10	SHIM (T:0.10MM) LAINA (T:0.10MM)	1	UR
	688-45577-01-12	SHIM (T:0.12MM) LAINA (:0.12MM)	1	UR
	688-45577-01-15	SHIM (T:0.15MM) LAINA (T:0.15MM)	1	UR
	688-45577-01-18	SHIM (T:0.18MM) LAINA (T:0.18MM)	1	UR
	688-45577-01-30	SHIM (T:0.30MM) LAINA (T:0.30MM)	1	UR
	688-45577-01-40	SHIM (T:0.40MM) LAINA (T:0.40MM)	1	UR
	688-45577-01-50	SHIM (T:0.50MM) LAINA (T:0.50MM)	1	UR
58	688-45576-00	WASHER, THRUST ARANDELA DE EMPUJE AXIAL	1	
59	93210-85M97	O-RING ANILLO O	1	

FIG. 17 LOWER CASING, DRIVE 1

IMPULSOR E INFERIOR 1



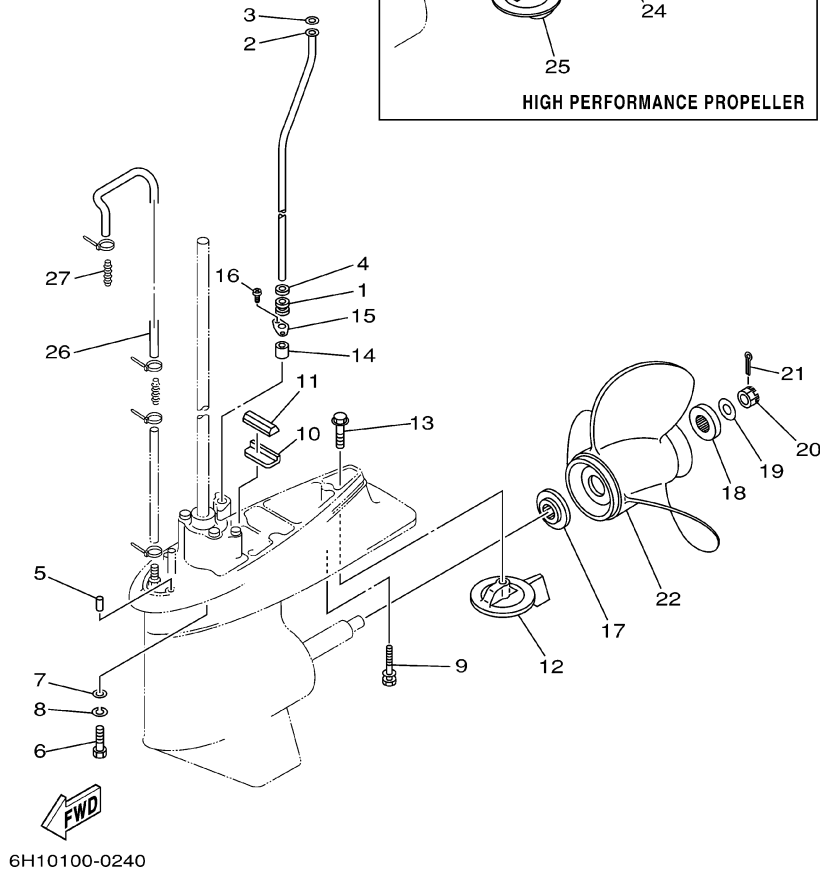
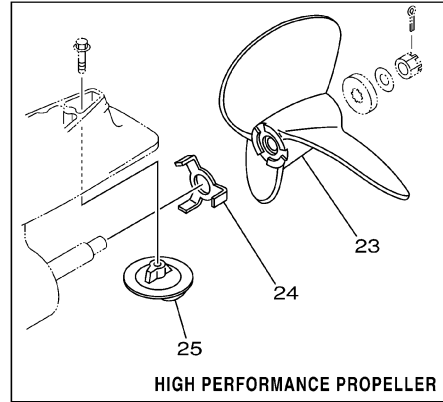
6H12200-2170

REF. NO.	PART NO. CODIGO NO.	DESCRIPTION DESCRIPTION	90A				REMARKS OBSERVACION
60	93317-325U0	BEARING COJINETE	1				
61	93101-25M03	OIL SEAL SELLO ACEITE	2				
62	688-45383-02	WASHER, CLAW ARANDELA DE UNA	1				
63	688-45384-00	NUT TUERCA	1				
64	90282-04010	KEY, STRAIGHT CHAVETA, RECTA	1				
65	6E5-45378-00	NIPPLE, HOSE NIPLE MANGUERA	1				
66	90445-07ME9	HOSE (L120) TUBO (L120)	1				L
	90445-07MF2	HOSE (L250) TUBO (L250)	1				X
67	6E5-83558-10	END, NIPPLE EXTREMO DE NIPLE	1				
68	90465-11M10	CLAMP BRIDA	4				
69	6H1-44151-00	CAM, SHIFT LEVA DE CAMBIO	1				
70	6H1-44144-00	ROD, SHIFT VARILLA DE CAMBIO	1				
71	93210-07003	O-RING ANILLO O	1				
72	99001-08600	CIRCLIP PRESILLA REDONDA	1				
73	93450-07M00	CIRCLIP BOLA	1				

FIG. 18 LOWER CASING, DRIVE 2

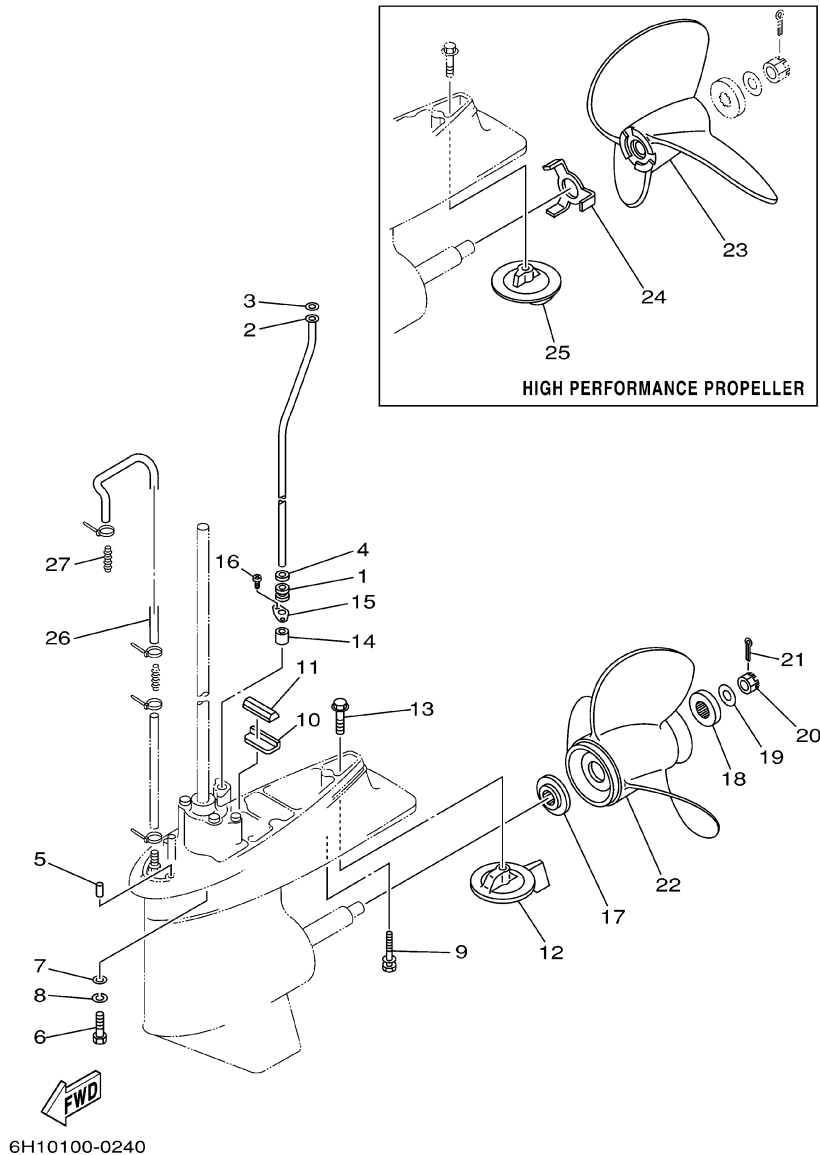
IMPULSOR E INFERIOR 2

REF. NO.	PART NO. CODIGO NO.	DESCRIPTION DESCRIPTION	90A				REMARKS OBSERVACION
1	663-44367-00	DAMPER, WATER SEAL GOMA DEL SELLO DE AGUA	1				
2	688-44361-10	TUBE, WATER TUBO DE AGUA	1				L
	688-44361-20	TUBE, WATER TUBO DE AGUA	1				X
3	90202-12060	WASHER, PLATE ARANDELA DE PLANA	1				
4	90430-12072	GASKET JUNTA	1				
5	93606-12019	PIN, DOWEL PASADOR DE CLAVIJA	2				L
6	97075-10040	BOLT PERNO	4				L
7	92990-10600	WASHER, PLATE ARANDELA	4				
8	92990-10100	WASHER, SPRING ARANDELA	4				
9	90119-08M84	BOLT, WITH WASHER TORNILLO CON ARANDELA	1				L
10	663-45376-00-94	GUIDE, SEAL DAMPER GUIA DE SELLO GOMA	1				
11	688-45375-00	DAMPER, SEAL GOMA DE SELLO	1				
12	688-45371-02	TAB-TRIM QUILLA ESTABILIZADOR	1				
13	90105-10M67	BOLT, FLANGE TORNILLO	1				
14	663-44366-00	DAMPER, WATER SEAL GOMA DEL SELLO DE AGUA	1				
15	90480-19M06	GROMMET TAPON	1				
16	97780-40512	SCREW, TAPPING TORNILLO ROSCA HEMBRA	2				
17	688-45987-01	SPACER ESPACIADOR	1				
18	688-45997-01	SPACER ESPACIADOR	1				
19	90201-17M00	WASHER, PLATE ARANDELA PLANA	1				
20	90171-16011	NUT, CASTLE TUERCA ENTALLADA	1				
21	91490-40025	PIN, COTTER PASADOR DE CHAVETA	1				
22	6E5-45941-00-EL	PROPELLER (3X13"X19"-K) PROPELA (3X13"X19"-K)	1				UR
	6E5-45943-00-EL	PROPELLER (3X12-5/8"X21"-K) PROPELA (3X12-5/8"X21"-K)	1				UR
	6E5-45945-01-EL	PROPELLER (3X13-1/4"X17"-K) PROPELA (3X13-1/4"X17"-K)	1				UR
	6E5-45947-00-EL	PROPELLER (3X13-1/2"X15"-K) PROPELA (3X13-1/2"X15"-K)	1				UR
	6E5-45949-00-EL	PROPELLER (3X13-5/8"X13"-K) PROPELA (3X13-5/8"X13"-K)	1				UR



6H10100-0240

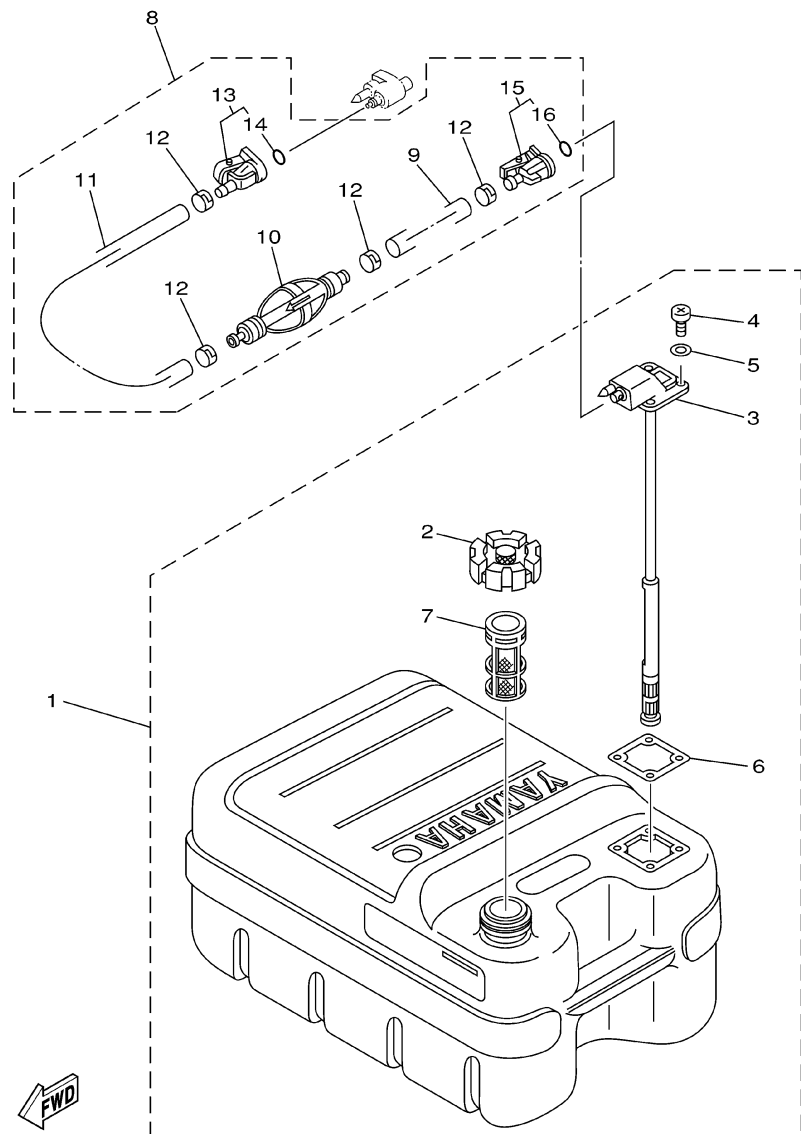
FIG. 18 LOWER CASING, DRIVE 2 IMPULSOR E INFERIOR 2



REF. NO.	PART NO. CODIGO NO.	DESCRIPTION DESCRIPTION	90A	REMARKS OBSERVACION
22	6E5-45952-00-EL	PROPELLER (3X13"X23"-K) PROPELA (3X13"X23"-K)	1	UR
	6E5-45954-00-EL	PROPELLER (3X14"X11"-K) PROPELA (3X14"X11"-K)	1	UR
	6E5-45956-00-EL	PROPELLER (3X13"X25"-K) PROPELA (3X13"X25"-K)	1	UR
		STAINLESS STEEL PROPELLER LIMPIO-ACERO DEL PROPELA		
	688-45970-03-98	PROPELLER (3X13"X19"-K) PROPELA (3X13"X19"-K)	1	UR
	688-45972-02-98	PROPELLER (3X13"X21"-K) PROPELA (3X13"X21"-K)	1	UR
	688-45974-02-98	PROPELLER (3X13"X23"-K) PROPELA (3X13"X23"-K)	1	UR
	688-45976-01-98	PROPELLER (3X13"X25"-K) PROPELA (3X13"X25"-K)	1	UR
	688-45930-02-98	PROPELLER (3X13"X17"-K) PROPELA (3X13"X17"-K)	1	UR
	688-45932-60-98	PROPELLER (3X13-1/2"X14"-K) PROPELA (3X13-1/2"X14"-K)	1	UR
	688-45978-60-98	PROPELLER (3X13-1/2"X16"-K) PROPELA (3X13-1/2"X16"-K)	1	UR
		HIGH PERFORMANCE PROPELLER ALTO COMPOSICION DEL PROPELA		
23	6E5-45970-10	PROPELLER (3X14"X20"-P) PROPELA (3X14"X20"-P)	1	UR
	6E5-45972-10	PROPELLER (3X14"X24"-P) PROPELA (3X14"X24"-P)	1	UR
	6E5-45974-10	PROPELLER (3X14"X28"-P) PROPELA (3X14"X28"-P)	1	UR
	6E5-45976-10	PROPELLER (3X14"X22"-P) PROPELA (3X14"X22"-P)	1	UR
	6E5-45978-10	PROPELLER (3X14"X26"-P) PROPELA (3X14"X26"-P)	1	UR
24	6E5-45994-10	PLATE, TOOTH PLACA	1	
25	6E5-45371-10	TAB-TRIM QUILLA ESTABILIZADOR	1	
26	90445-07MF1	HOSE (L570) TUBO (L570)	1	
27	6E5-83558-00	END, NIPPLE EXTREMO DE NIPLE	1	

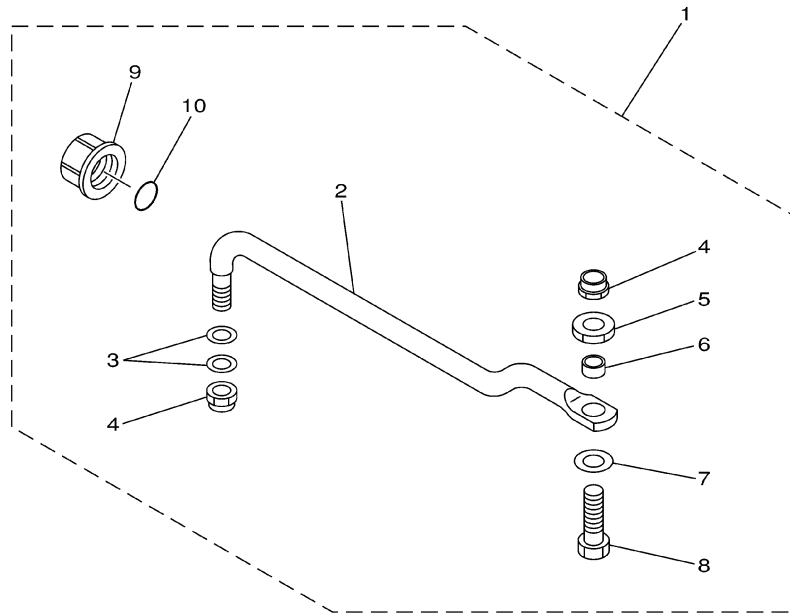
FIG. 19 FUEL TANK

DEPOSITO DE COMBUSTIBLE



67C0100-9300

REF. NO.	PART NO. CODIGO NO.	DESCRIPTION DESCRIPTION	90A	REMARKS OBSERVACION
1	6YJ-24201-00	FUEL TANK ASSY (24L) TANQUE DEL COMBUSTIBLE (24L)	1	AP FOR BRAZIL
	6YJ-24201-10	FUEL TANK ASSY (24L) TANQUE DEL COMBUSTIBLE (24L)	1	AP FOR CARIB WITH INDICATOR
2	6YJ-24610-01	.CAP ASSY .TAPA COMPLETA	1	
3	6YJ-24260-00	.FUEL METER ASSY .MEDIDOR DE COMBUSTIBLE COMPL.	1	FOR BRAZIL
	6Y1-24260-12	.FUEL METER ASSY .MEDIDOR DE COMBUSTIBLE COMPL.	1	FOR CARIB WITH INDICATOR
4	98586-05016	.SCREW, PAN HEAD .TORNILLO DE CABEZA CON PLANA	4	
5	6Y1-24329-00	.SEAL .SELLO	4	
6	6Y1-24268-00	.GASKET, FUEL METER .EMPAQ MEDIDOR DE COMBUSTIBLE	1	
7	6YJ-24167-00	.STRAINER .COLADOR	1	
8	61J-24306-02	FUEL PIPE COMP. 1 TUBO COMBUST. COMPL 1	1	AP
9	90445-11M06	.HOSE (L2050) .MANGUERA (L2050)	1	
10	61J-24360-00	.PRIMER PUMP ASSY .SOPORTE BOMBA	1	
11	90445-11M05	.HOSE (L:850MM) .MANGUERA (L:850MM)	1	
12	650-24351-51	BAND 1 .ABRAZADERA 1	4	
13	6G1-24305-03	FUEL PIPE JOINT COMP. 2 CONECTOR MANGUERA COMBUST.2	1	
14	93210-08287	.O-RING .ANILLO O	1	
15	6Y1-24305-04	FUEL PIPE JOINT COMP. 2 CONECTOR MANGUERA COMBUST.2	1	
16	93210-08287	.O-RING .ANILLO O	1	

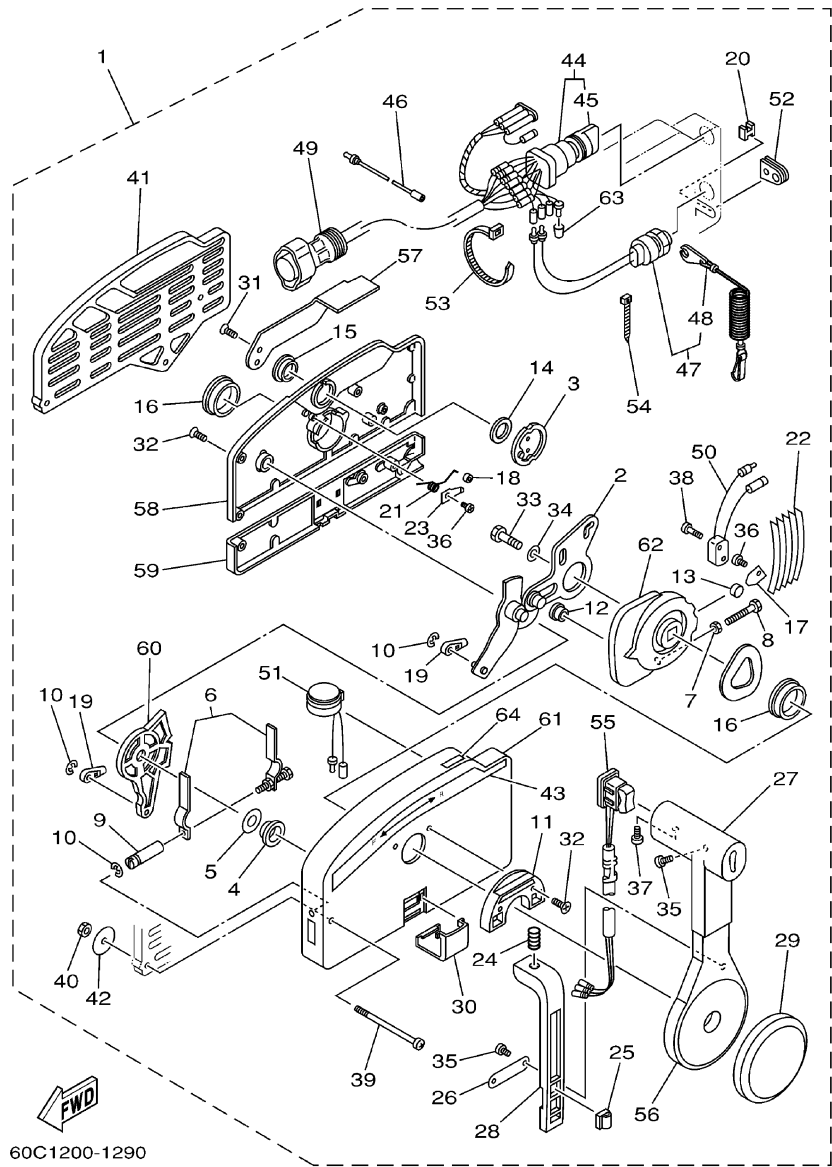


6880700-9190

FIG. 20 STEERING GUIDE

DIRECCIONGUIAR

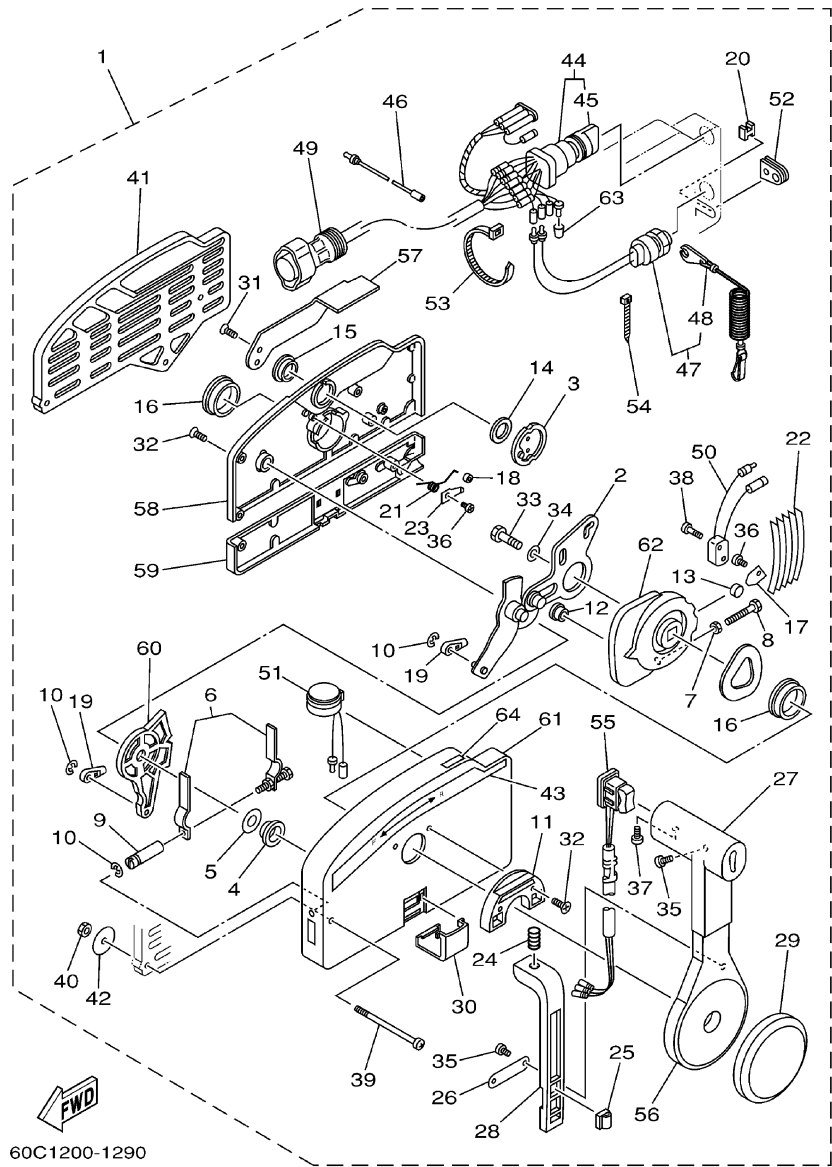
REF. NO.	PART NO. CODIGO NO.	DESCRIPTION DESCRIPTION	90A				REMARKS OBSERVACION
1	688-61350-10	STEERING GUIDE ATTACHMENT KIT ESTUCHE ADITAMENTO GUIA DE TIM	1				AP
2	688-61351-10	.ROD, STEERING LINK .VARILLA ESLABON DIRECCION	1				
3	90201-10M20	.WASHER, PLATE .ARANDELA PLANA	2				
4	90185-09M01	.NUT, SELF-LOCKING .TUERCA AUTOBLOCANTE	2				
5	90170-09M03	.NUT .TUERCA	1				
6	90387-10M42	.COLLAR .COLLAR	1				
7	90201-10M63	.WASHER, PLATE .ARANDELA PLANA	1				
8	6E5-61355-00	.BOLT .TORNILLO	1				
9	6E5-43145-01	.CAP, CLAMP BRACKET .TAPA	1				
10	93210-16275	.O-RING .ANILLO O	1				



60C1200-1290

FIG. 22 REMOTE CONTROL ASSY CONTROL REMOTO COMPL.

REF. NO.	PART NO. CODIGO NO.	DESCRIPTION DESCRIPTION	90A	REMARKS OBSERVACION
1	703-48205-A4	REMOTE CONTROL ASSY REMOTO CONTROL COMPL.	1	AP WITH PT/T SW.
2	703-48261-01	.ARM, THROTTLE .BRAZO ACELERADOR	1	
3	703-48153-00	.SHAFT, FREE ACCEL. .EJE	1	
4	703-48235-00	.BUSHING .BUJE	1	
5	703-48268-00	.SPACER .ESPACIADOR 3	1	
6	703-48264-00	.THROTTLE, FRICTION .FRICCION ACELERADOR	1	
7	95380-05600	.NUT .TUERCA	1	
8	97380-05025	.BOLT .PERNO	1	
9	703-48265-00	.SHAFT, FRICTION .EJE FRICCION	1	
10	93430-06024	.CIRCLIP .BOLA	3	
11	703-48245-00	.PLATE, LOCK .PLACA CERRADURA	1	
12	703-48252-00	.ROLLER, CAM .RODILLO LEVA	1	
13	701-48248-00	.ROLLER, FREE ACCEL. .RODILLO ACELERADOR LIBRE	1	
14	703-48198-00	.WASHER, WAVE .RONDANA ONDULADA 3	1	
15	703-48243-00	.BUSHING .BUJE 3	1	
16	703-48236-00	.BUSHING 1 .BUJE	2	
17	703-48189-00	.RETAINER .RETENEDOR	1	
18	703-48234-00	.ROLLER, DETENT .RODILLO	1	
19	703-48345-01	.CABLE END, REMOTE CONTROL 2 .TERMINAL CABLE DE CONTROL REM	2	
20	703-48358-00	.ANCHOR, CABLE .ABRAZADERA CABLE	1	
21	703-48244-00	.SPRING, FREE ACCEL. .RESORTE ACELERADOR LIBRE	1	
22	703-48238-00	.SPRING, DETENT .RESORTE	5	
23	703-48246-00	.SPACER .ESPACIADOR	1	
24	703-48227-00	.SPRING, NEUTRAL LOCK .RESORTE DE SEGURO	1	
25	703-82594-00	.CLAMP .GRAMPA	1	WITH PT/T SW.
26	703-48226-00	.PLATE, STOPPER .PLACA RETEN	1	
27	703-48222-00	.GRIP, CONTROL LEVER .MANGO DE PALANCA CONTROL	1	SINGLE

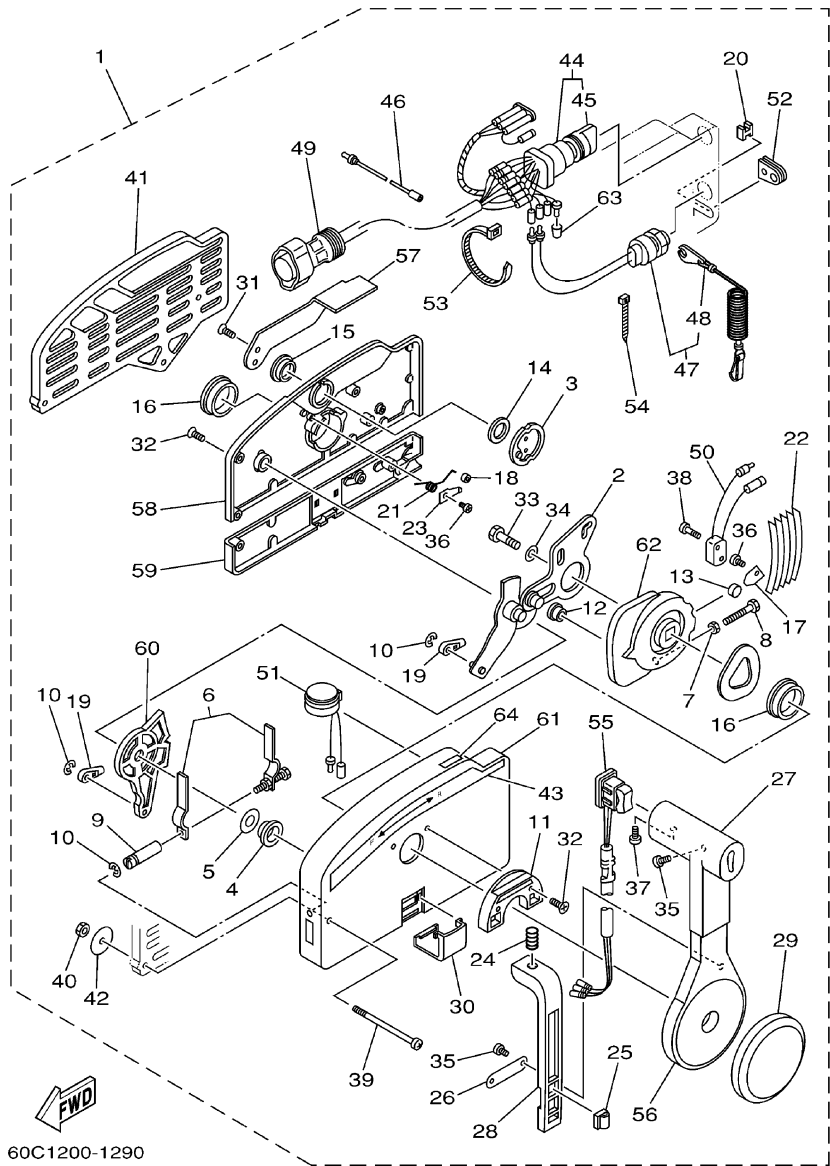


60C1200-1290

FIG. 22 REMOTE CONTROL ASSY CONTROL REMOTO COMPL.

REF. NO.	PART NO. CODIGO NO.	DESCRIPTION DESCRIPTION	90A				REMARKS OBSERVACION
28	703-48223-00	.LOCK, NEUTRAL .CERRADURA NEUTRO	1				
29	703-48225-00	.COVER .CUBIERTA	1				
30	703-48219-00	.COVER, LEAD .CUBIERTA	1				
31	703-48281-00	.SCREW .TORNILLO 1	2				
32	703-48282-00	.SCREW .TORNILLO 2	7				
33	97380-08030	.BOLT .PERNO	1				
34	92990-08600	.WASHER, PLATE .ARANDELA	1				
35	98580-04010	.SCREW, PAN HEAD .TORNILLO DE CABEZA CON PLANA	3				
36	98580-04006	.SCREW, PAN HEAD .TORNILLO DE CABEZA CON PLANA	2				
37	98580-05010	.SCREW, PAN HEAD .TORNILLO DE CABEZA CON PLANA	1				
38	98580-03015	.SCREW, PAN HEAD .TORNILLO DE CABEZA CON PLANA	2				
39	703-48291-10	.SCREW (M6) .TORNILLO (M6)	3				
40	95380-06600	.NUT, HEXAGON .TUERCA	3				
41	703-48293-10	.SPACER, REMOTE CONTROL .ESPACIADOR	1				SINGLE
42	701-48287-00	.WASHER .ARANDELA	3				
43	703-48215-00	.GRAPHIC .CALCOMANIA 1	1				
44	703-82510-12	.MAIN SWITCH ASSY .CONJUNTO DE LLAVE IGNICION	1				FOR PRIME START MODEL
45	676-82577-00	.CAP, KEY .TAPA	1				
46	703-82531-00	.WIRE, LEAD .CABLE CONDUCTOR	1				
47	688-82575-01	.ENGINE STOP SWITCH ASSY .INTERRUPTOR DE PARADA COMPL	1				
48	682-82556-00	.STOPPER .RETENER	1				
49	688-8258A-20	.EXTENSION, WIRE HARNESS .EXTENSION, ARNES DE CABLES	1				L:5M (10P)
50	703-82540-00	.NEUTRAL SWITCH ASSY .INTERRUPTOR NEUTRAL COMPL	1				
51	703-83383-A0	.BUZZER .ZUMBADOR	1				
52	703-48284-00	.GROMMET .TAPON 1	1				
53	703-82591-00	.BAND .BANDA	1				
54	703-82592-00	.BAND .BANDA	1				

FIG. 22 REMOTE CONTROL ASSY CONTROL REMOTO COMPL.



60C1200-1290

REF. NO.	PART NO. CODIGO NO.	DESCRIPTION DESCRIPTION	90A	REMARKS OBSERVACION
55	703-82563-02	.TRIM & TILT SWITCH ASSY .INTERRUPTOR DE INCLINACION	1	
56	703-48221-00	.LEVER, CONTROL .PALANCA CONTROL	1	
57	703-48152-00	.KNOB, FREE ACCEL. .PERILLA	1	
58	703-48212-00	.BACK PLATE 1 .PLACA TRASERA 1	1	
59	703-48213-00	.BACK PLATE 2 .PLACA TRASERA 2	1	
60	703-48271-00	.ARM, SHIFT .BRAZO CAMBIADOR	1	
61	703-48211-01	.HOUSING,1 .CAJA	1	
62	703-48232-00	.GEAR .ENGRANAJE 1	1	
63	703-82542-00	.CAP .TAPA	1	
64	703-48218-00	.GRAPHIC .CALCAMONIA	1	

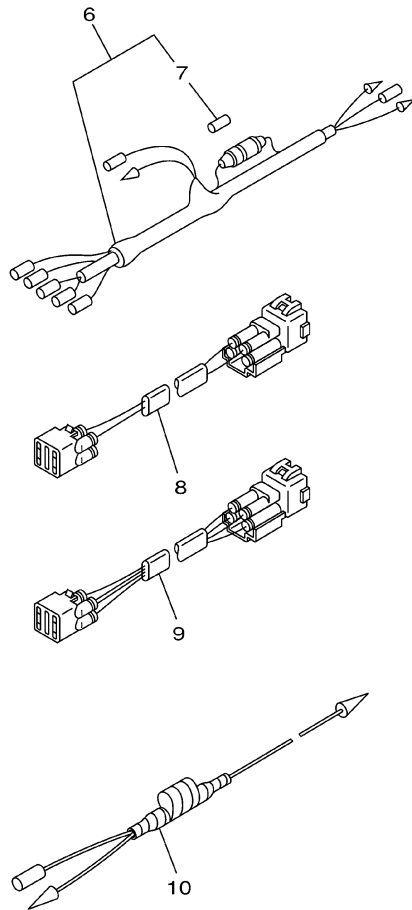
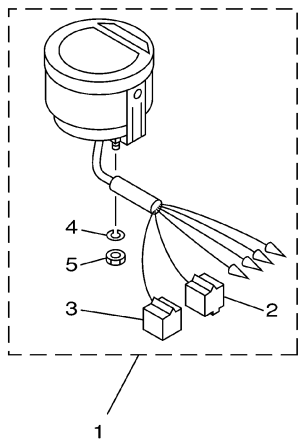


FIG. 23 METER

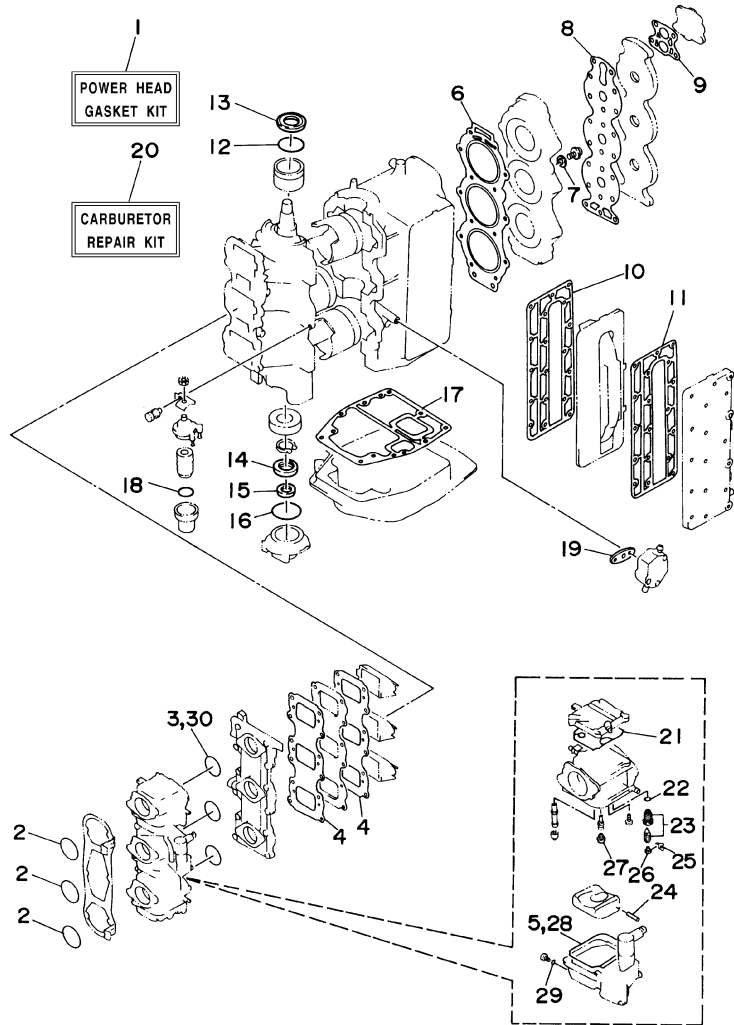
MEDIDOR

REF. NO.	PART NO. CODIGO NO.	DESCRIPTION DESCRIPTION	90A				REMARKS OBSERVACION
1	6Y5-8350T-01	DIGITAL TACHOMETER ASSY TACOMETRO DIGGITAL COMPLETO	1				AP
2	9E450-04433	.CONNECTOR .CONNECTOR	1				M-4-W
3	9E450-04533	.CONNECTOR .CONNECTOR	1				F-4-W
4	92990-04100	.WASHER, SPRING .ARANDELA	2				
5	95380-04600	.NUT .TUERCA	2				
6	6Y5-83553-00	WIRE, LEAD CABLE CONDUCTOR	1				AP
7	1E6-82151-00	.FUSE (10A) .FUSIBLE	1				
8	6R3-82521-70	WIRE, LEAD CABLE CONDUCTOR	1				AP
9	6R3-82553-70	EXTENSION, WIRE LEAD CABLE	1				AP
10	6H4-81315-11	LEAD WIRE ASSY CABLE CONDUCTOR COMPLETO	1				AP

6H30100-0270

FIG. 24 REPAIR KIT 1

ESTUCHE REPARATION 1



REF. NO.	PART NO. CODIGO NO.	DESCRIPTION DESCRIPTION	90A	REMARKS OBSERVACION
1	6H1-W0001-02	POWER HEAD GASKET KIT JUEGO DE EMPAQUE	1	
2	93210-46044	.O-RING .ANILLO O	3	
3	93210-39ME4	.O-RING .ANILLO O	3	
4	688-13621-A1	.GASKET, VALVE SEAT JUNTA, DE VALV.DE EMPAQUE	2	
5	6H4-14984-00	.GASKET, FLOAT CHAMBER EMPAQUE CAMARA DE BOIA	3	
6	688-11181-A1	.GASKET, CYLINDER HEAD 1 JUNTA, DE CULATA 1	1	
7	90430-14115	.GASKET JUNTA	1	
8	688-11193-A1	.GASKET, HEAD COVER 1 EMPAQUE	1	
9	688-12414-A1	.GASKET, COVER EMPAQUE	1	
10	688-41112-A0	.GASKET, EXHAUST INNER COVER EMPAQUE	1	
11	688-41114-A0	.GASKET, EXHAUST OUTER COVER EMPAQUE	1	
12	93210-46M16	.O-RING .ANILLO O	1	
13	93102-36M02	.OIL SEAL SELLO ACEITE	1	
14	93102-30M05	.OIL SEAL SELLO ACEITE	1	
15	93104-20M02	.OIL SEAL SELLO ACEITE	1	
16	93210-62269	.O-RING ANILLO O	1	
17	688-45113-A0	.GASKET, UPPER CASING EMPAQUE	1	
18	93210-32738	.O-RING ANILLO O	1	
19	650-24431-A0	.GASKET, FUEL PUMP 1 EMPAQUE BOMBA COMBUST 1	1	
20	6H1-W0093-10	CARBURETOR REPAIR KIT KIT REPARACION CARBURADOR	1	
21	6H4-14147-00	.O-RING ANILLO O	1	
22	93210-04228	.O-RING ANILLO O	1	
23	692-14590-00	.VALVE SEAT .VALVULA DE AGUJA COMPLETA	1	
24	6H4-14548-00	.PIN, FLOAT ARM .PASADOR DE BRAZO DE BOIA	1	
25	663-14159-00	.CLIP .PRESILLA	1	
26	676-14186-00	.PIN, FLOAT .PASADOR DE LA BOYA	1	
27	676-14966-00	.CAP .TAPA	1	

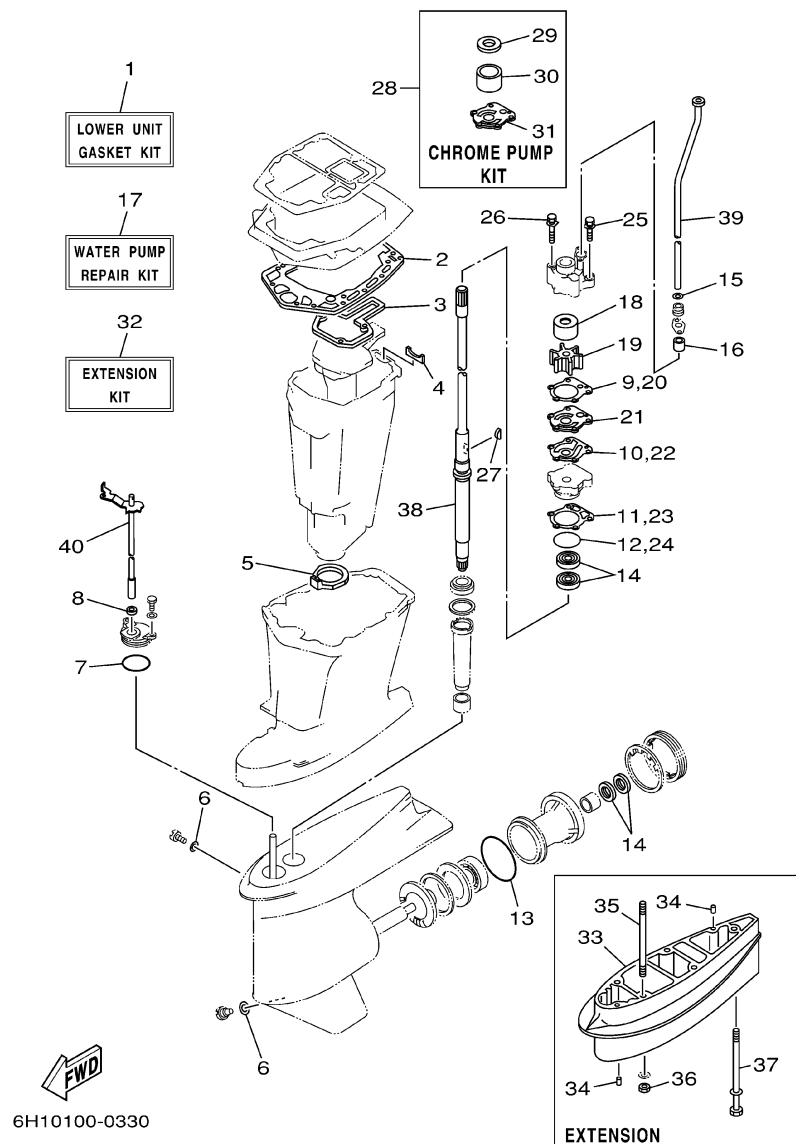


6H10010-4230

B1

FIG. 25 REPAIR KIT 2

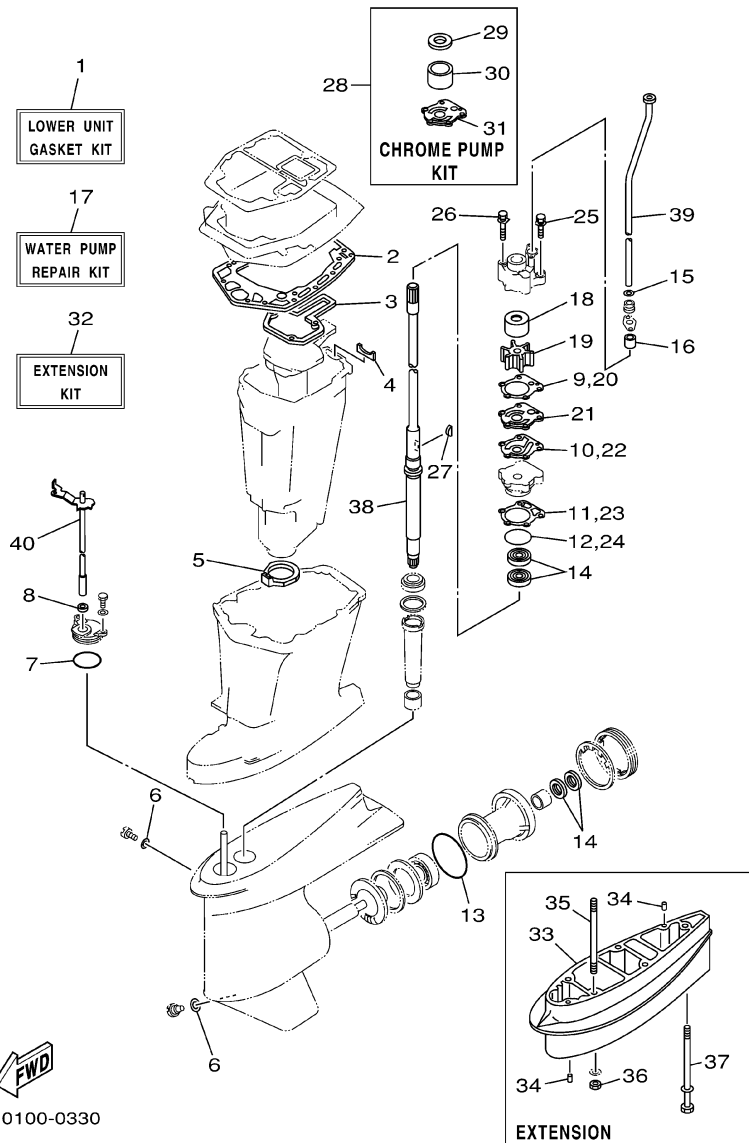
ESTUCHE REPARATION 2



REF. NO.	PART NO. CODIGO NO.	DESCRIPTION DESCRIPTION	90A	REMARKS OBSERVACION
1	688-W0001-21	LOWER UNIT GASKET KIT JUEGO DE JUNTA UNIDAD INFERIOR	1	
2	688-45114-A1	.GASKET, UPPER CASING .EMPAQUE	1	
3	688-41134-A0	.GASKET, EXHAUST MANIFOLD .EMPAQUE	1	
4	688-41133-00	.GASKET, EXHAUST MANIFOLD 1 .EMPAQUE ESCAPE MULTIPLE	1	
5	688-45123-00	.GASKET, MUFFLER .EMPAQUE SILENCIADOR	1	
6	90430-08020	.GASKET JUNTA	2	
7	93210-49046	.O-RING .ANILLO O	1	
8	93106-09014	.OIL SEAL .SELLO ACEITE	1	
9	688-44315-A0	.GASKET, WATER PUMP .EMPAQUE	1	
10	688-44324-A0	.GASKET, CARTRIDGE .EMPAQUE	1	
11	688-44316-A0	.GASKET, WATER PUMP .EMPAQUE	1	
12	93210-46044	.O-RING .ANILLO O	1	
13	93210-85M97	.O-RING .ANILLO O	1	
14	93101-25M03	.OIL SEAL .SELLO ACEITE	4	
15	90430-12072	.GASKET JUNTA	1	
16	663-44366-00	.DAMPER, WATER SEAL .GOMA DEL SELLO DE AGUA	1	
17	692-W0078-02	WATER PUMP REPAIR KIT ESTUCHE REPARACION BOMBA AGUA	1	
18	688-44322-00	.INSERT, CARTRIDGE .CARTUCHO	1	
19	688-44352-03	.IMPELLER .IMPULSOR	1	
20	688-44315-A0	.GASKET, WATER PUMP .EMPAQUE	1	
21	688-44323-00	.OUTER PLATE, CARTRIDGE .PLACA EXTERIOR DEL CARTUCHO	1	
22	688-44324-A0	.GASKET, CARTRIDGE .EMPAQUE	1	
23	688-44316-A0	.GASKET, WATER PUMP .EMPAQUE	1	
24	93210-46044	.O-RING .ANILLO O	1	
25	90119-08M13	.BOLT, WITH WASHER .TORNILLO CON ARANDELA	2	
26	90119-08M16	.BOLT, WITH WASHER .TORNILLO CON ARANDELA	2	
27	90280-04M04	.KEY, WOODRUFF .CUNA WOODRUFF	1	

FIG. 25 REPAIR KIT 2

ESTUCHE REPARATION 2



6H10100-0330

REF. NO.	PART NO. CODIGO NO.	DESCRIPTION DESCRIPTION	90A				REMARKS OBSERVACION
28	688-W0078-1A	CHROME PUMP KIT ESTUCHE REPARACION BOMBA AGUA	1				
29	688-44321-41	.INNER PLATE, CARTRIDGE .PLACA INTERIOR CARTUCHO	1				
30	688-44322-41	.INSERT, CARTRIDGE .CARTUCHO	1				
31	688-44323-40	.OUTER PLATE, CARTRIDGE .PLACA EXTERIOR DEL CARTUCHO	1				
32	6H1-W0072-02-4D	EXTENSION KIT ESTUCHE PARA EXTENSION	1				X
33	688-45211-00-4D	.EXTENSION .EXTENSION	1				
34	93606-12019	.PIN, DOWEL .PASADOR DE CLAVIJA	4				
35	90116-10M05	.BOLT, STUD .ESPARRAGO	4				
36	95380-10600	.NUT .TUERCA	4				
37	90119-08M86	.BOLT, WITH WASHER .TORNILLO CON ARANDELA	1				
38	688-45501-22	.DRIVE SHAFT COMP. .EJE DE MANDO COMPL.	1				
39	688-44361-20	.TUBE, WATER .TUBO DE AGUA	1				
40	6H1-44120-22	.HANDLE GEAR SHIFT ASSY .MANIJA DE CAMBIO COMPL.	1				

NUMERICAL INDEX
INDICE NUMERICO

PART NO. CODIGO NO.	REF. NO.	PART NO. CODIGO NO.	REF. NO.	PART NO. CODIGO NO.	REF. NO.	PART NO. CODIGO NO.	REF. NO.	PART NO. CODIGO NO.	REF. NO.	PART NO. CODIGO NO.	REF. NO.
6H1-W0001-02	24 - 1	6L2-13475-00	6 - 3	6H3-14980-10	5 - 28	692-24411-00	7 - 14	6H1-42610-60-4D	1 - 1	6H1-4380J-10	15 - 8
688-W0001-21	25 - 1	688-13610-00	4 - 12	6H4-14980-00	5 - 27	6A0-24412-02	7 - 23	6H1-42613-01-4D	1 - 11	6H1-43800-16-4D	15 - 1
688-W0004-00	4 - 13	688-13621-A1	4 - 10	6H4-14984-00	5 - 24	6A0-24413-00	7 - 13	688-42615-00	1 - 14	6T4-43802-03	15 - 39
6H1-W0070-30	1 - 17		24 - 4		24 - 5	6H4-24413-00	5 - 38	6H1-42617-10	1 - 19	6H1-43804-10	15 - 4
6H1-W0072-02-4D	25 - 32	688-13624-00	4 - 11		24 - 28	6A0-24421-01	7 - 21	6H1-42619-00	1 - 20	6H1-43805-10	15 - 3
688-W0078-1A	25 - 28	6H1-13641-02-94	4 - 6	6H4-14985-01	5 - 19	6L5-24421-00	5 - 37	6H1-42627-00	1 - 21	6H1-43810-11	15 - 20
692-W0078-02	25 - 17	6H3-14137-00	5 - 31	6H3-14992-00	5 - 25	650-24431-A0	7 - 24	6H1-42637-00	1 - 22	6H1-43812-00	15 - 24
6H1-W0090-43-1S	2 - 1	6H3-14146-10	5 - 9	6H1-15100-02-1S	2 - 2		24 - 19	6H1-42647-00-94	1 - 3	6H1-43813-10	15 - 27
6H1-W0093-10	24 - 20	6H4-14146-00	5 - 8	6H1-15359-01-94	3 - 1	6H3-24434-10	5 - 41	6H1-42649-00-94	1 - 4	6H1-43814-11	15 - 19
656-W2810-02	7 - 35	6H4-14147-00	5 - 10	688-15379-00	3 - 6	648-24434-01	7 - 15	688-42652-10	1 - 6	6H1-43816-00	15 - 68
6H1-11111-01-1S	2 - 30		24 - 21	6H1-15771-00	10 - 19	648-24435-02	7 - 18	663-42662-00	1 - 5	6H1-43817-01	15 - 47
688-11119-01	2 - 28	663-14159-00	5 - 17	6H1-15772-00	2 - 52	6H3-24452-10	5 - 29	6H1-42677-60	1 - 15	6E5-43818-00	15 - 32
688-11181-A1	2 - 31		24 - 25	6H1-15773-01	2 - 54	6H4-24486-00	5 - 39	6H1-42678-30	1 - 16	6H1-4382A-10	15 - 52
	24 - 6	676-14186-00	5 - 18	6H1-21707-07	6 - 26	61N-24521-00	7 - 8	6H1-42681-30	1 - 28	6H1-43820-11	15 - 64
688-11191-00-1S	2 - 35		24 - 26	6H3-21732-00	1 - 24	6H3-24560-00	7 - 6	6H1-42682-30	1 - 29	6H1-43821-11	15 - 59
688-11193-A1	2 - 36	6H1-14301-07	5 - 1	6H3-21735-00	1 - 25	61N-24563-00	7 - 7	6H1-42694-00	1 - 23	6H1-43822-10	15 - 58
	24 - 8	6H1-14301-20	5 - 1	63D-2175R-00	6 - 36	6H1-24566-01	7 - 10	6H1-42711-01-4D	11 - 1	6H1-43828-10	15 - 30
688-11325-00	2 - 26	6H1-14302-07	5 - 2	6H1-21752-00	6 - 33	6YJ-24610-01	19 - 2	648-42715-00	12 - 48	6H1-43829-00	15 - 36
650-11370-00	2 - 4	6H1-14302-20	5 - 2	6H1-21757-00	6 - 39	6H1-24633-00	6 - 40	688-42716-02	11 - 9	6H1-43830-11	15 - 49
688-11370-00	2 - 3	6H1-14303-07	5 - 3	6J8-21758-00	6 - 38	6A1-28176-00	11 - 32	663-42724-00	11 - 10	6H1-43831-10	15 - 48
	3 - 2	6H1-14303-20	5 - 3	63D-2176M-00	6 - 35	6E0-28193-00-94	7 - 36	688-42725-10	11 - 11	6H1-43833-10	15 - 33
688-11411-01	3 - 11	6A0-14325-00	7 - 22	6H1-21766-01	6 - 43	688-41111-00-1S	2 - 45	688-42726-10	11 - 22	6H1-43834-00	15 - 34
663-11518-01	2 - 6	6H3-14349-00	4 - 4	63D-2177H-00	1 - 2	688-41112-A0	2 - 46	688-42738-01-94	11 - 12	6H1-43835-10	15 - 29
6H1-11536-00	3 - 27		5 - 32	6H4-21770-00	6 - 37		24 - 10	688-42741-01-4D	11 - 24	6H1-4384E-20	15 - 61
6H1-11537-01	6 - 16	6H3-14380-00	5 - 33	6H1-21796-00	2 - 55	688-41113-00-1S	2 - 48	6G1-42748-00	11 - 23	6H1-4384F-10	15 - 46
688-11603-A0	3 - 19	6H1-14413-02	4 - 22	6YJ-24167-00	19 - 7	688-41114-A0	2 - 47	688-42771-01-4D	11 - 25	6H1-4384G-11	15 - 45
688-11604-A0	3 - 19	6H1-14440-02	4 - 18	6YJ-24201-00	19 - 1		24 - 11	6G5-42791-00	11 - 34	6H1-43840-11	15 - 17
688-11605-A0	3 - 19	6H1-14485-00	4 - 7	6YJ-24201-10	19 - 1	688-41131-00-5B	16 - 8	6G5-42791-10	11 - 34	6H1-43841-11	15 - 42
6H1-11631-03-95	3 - 18	624-14485-00	2 - 5	6YJ-24260-00	19 - 3	688-41133-00	16 - 9	688-42815-01-4D	11 - 3	6H1-43843-11	15 - 72
663-11633-00	3 - 20	6H1-14488-00	8 - 19	6Y1-24260-12	19 - 3		25 - 4	688-42816-00	11 - 7	6H1-43844-10	15 - 44
688-11634-10	3 - 21	63V-14523-00	5 - 5	6Y1-24268-00	19 - 6	688-41134-A0	16 - 7	688-42817-01-4D	11 - 4	6H1-43845-00	15 - 55
6H1-11635-03	3 - 18	6H4-14548-00	5 - 15	6G1-24304-02	7 - 1		25 - 3	6H1-43111-01-4D	13 - 1	6H1-43847-00	15 - 50
6H1-11636-03	3 - 18		24 - 24	6G1-24305-03	19 - 13	688-41137-03-94	16 - 5	6H1-43112-00-4D	13 - 11	6H1-4385H-00	15 - 78
688-11650-03	3 - 22	697-14555-00	5 - 12	6Y1-24305-04	19 - 15	688-41211-01	12 - 27	6E5-43126-02	13 - 40	6H1-43854-00	15 - 53
688-12411-10	2 - 41	6H4-14567-00	5 - 30	61J-24306-02	19 - 8	6H1-41213-00	12 - 30	688-43131-03	13 - 21	6H1-43855-11	15 - 71
688-12413-00-1S	2 - 42	6H2-14578-00	5 - 7	663-24312-01	2 - 49	662-41214-01	12 - 8	6G5-43144-00	13 - 34	6H1-43856-10	15 - 43
688-12414-A1	2 - 43	692-14590-00	5 - 14	688-24313-00	7 - 30	688-41217-01	4 - 3	6E5-43145-01	20 - 9	6H1-4386K-10	15 - 9
	24 - 9		24 - 23	6H1-24314-00	7 - 27	6E9-41237-00	6 - 25	6G5-43145-01	13 - 25	6H1-43861-00	15 - 21
688-12416-00	2 - 39	688-14711-01-5B	16 - 10	688-24314-00	7 - 31	6F5-41237-00	12 - 19	6G5-43148-00	13 - 29	6H1-43861-10	15 - 18
6H1-13117-01	6 - 18	663-14737-10	16 - 12	6Y1-24329-00	19 - 5	6H1-41237-00	6 - 21	688-43160-01	13 - 36		15 - 22
6E9-13183-70	6 - 13	692-14923-00	5 - 11	650-24351-51	19 - 12	662-41237-01	12 - 26	688-43165-00	13 - 37		15 - 60
6H1-13200-02	6 - 1	6H1-14943-39	5 - 21	61J-24360-00	19 - 10	682-41237-00	12 - 29	6H1-43181-01	13 - 26	6H1-43864-00	15 - 65
6H1-13411-00	6 - 42	6H1-14943-40	5 - 21	6E5-24367-01	11 - 30	6H1-41241-02	6 - 20	6H1-43185-01	13 - 27	6H1-43865-10	15 - 16
6J8-13414-00	6 - 41	6H1-14947-75	5 - 20	650-24378-00	2 - 7	688-41631-01-94	12 - 18	6H1-43311-01-4D	13 - 16	6H1-43866-00	15 - 40
6H1-13435-00	6 - 45	6H1-14948-18	5 - 23	688-24378-00	7 - 34	688-41632-01-94	12 - 7	6H1-43376-00	14 - 39	6H1-43867-00	15 - 41
6H1-13436-00	1 - 18	6H1-14948-20	5 - 23	692-24410-00	7 - 12	6H1-41636-00	12 - 24	6H1-4380F-10	15 - 7	6H1-43868-00	15 - 74
6H1-13437-21	8 - 20	676-14966-00	5 - 22	6H3-24411-10	5 - 40	688-42510-02-4D	14 - 3	6H1-4380G-10	15 - 15	6H1-4387J-00	15 - 77
6R3-13471-00	6 - 2		24 - 27	663-24411-00	7 - 17	624-42542-00	6 - 49	6H1-4380H-10	15 - 13	6H1-43871-10	15 - 23

NUMERICAL INDEX
INDICE NUMERICO

PART NO. CODIGO NO.	REF. NO.	PART NO. CODIGO NO.	REF. NO.	PART NO. CODIGO NO.	REF. NO.	PART NO. CODIGO NO.	REF. NO.	PART NO. CODIGO NO.	REF. NO.	PART NO. CODIGO NO.	REF. NO.
6H1-43872-10	15 - 25	688-44361-20	25 - 39	688-45567-01-12	17 - 7	688-45978-60-98	18 - 22	688-48511-11-4D	14 - 36	6R3-82521-70	23 - 8
6H1-43874-00	15 - 67	663-44366-00	18 - 14	688-45567-01-15	17 - 7	688-45987-01	18 - 17	663-48531-00	12 - 2	703-82531-00	22 - 46
6H1-43875-00	15 - 57		25 - 16	688-45567-01-18	17 - 7	6E5-45994-10	18 - 24	663-48538-00	12 - 2	703-82540-00	22 - 50
6H1-4388E-11	15 - 73	663-44367-00	18 - 1	688-45567-01-30	17 - 7	688-45997-01	18 - 18	688-61350-10	20 - 1	703-82542-00	22 - 63
6H1-43880-02	15 - 2	6H3-44391-01	11 - 2	688-45567-01-40	17 - 7	703-48152-00	22 - 57	688-61351-10	20 - 2	6R3-82553-70	23 - 9
6H1-43881-10	15 - 12	688-44511-00-94	14 - 33	688-45567-01-50	17 - 7	703-48153-00	22 - 3	6E5-61355-00	20 - 8	682-82556-00	22 - 48
6H1-43891-10	15 - 5	688-44514-00-94	14 - 26	6H1-45571-00	17 - 54	703-48189-00	22 - 17	6H4-81315-11	23 - 10	688-82560-10	9 - 31
6H1-43892-10	15 - 6	6H1-44526-00	13 - 3	688-45576-00	17 - 58	703-48198-00	22 - 14	688-81332-01	8 - 11	6H1-82563-10	9 - 47
6H1-43895-12	15 - 70	663-44551-02-4D	14 - 9	688-45577-01-10	17 - 57	703-48205-A4	21 - 1	6H1-81337-01	8 - 14	703-82563-02	22 - 55
6H1-43896-00	15 - 69	687-44552-02-94	14 - 18	688-45577-01-12	17 - 57		22 - 1	688-81800-12	10 - 1	6E3-8257H-00	11 - 33
6H1-43899-00	15 - 51	663-44553-01-4D	14 - 23	688-45577-01-15	17 - 57	703-48211-01	22 - 61	676-81809-10	10 - 3	688-82575-01	22 - 47
688-44117-00-94	12 - 34	687-44555-00-94	14 - 11	688-45577-01-18	17 - 57	703-48212-00	22 - 58	688-81810-11	10 - 5	676-82577-00	22 - 45
688-44118-00-94	12 - 42	663-44575-00	14 - 16	688-45577-01-30	17 - 57	703-48213-00	22 - 59	663-81811-11	10 - 7	688-8258A-20	22 - 49
6H1-44120-12	12 - 49		14 - 32	688-45577-01-40	17 - 57	703-48215-00	22 - 43	663-81812-11	10 - 8	6R5-82582-B0	6 - 52
6H1-44120-22	12 - 49	688-45111-04-4D	16 - 1	688-45577-01-50	17 - 57	703-48218-00	22 - 64	663-81813-10	10 - 9	6E5-82587-00	9 - 48
	25 - 40	688-45113-A0	16 - 20	688-45587-01-10	17 - 5	703-48219-00	22 - 30	663-81820-12	10 - 10	688-82588-01	9 - 32
6H1-44121-00	12 - 41		24 - 17	688-45587-01-12	17 - 5	703-48221-00	22 - 56	688-81824-00	10 - 15	6H0-82590-12	9 - 33
688-44122-00	12 - 38	688-45114-A1	16 - 6	688-45587-01-15	17 - 5	703-48222-00	22 - 27	663-81826-10	10 - 14	703-82591-00	22 - 53
688-44124-00	12 - 37		25 - 2	688-45587-01-18	17 - 5	703-48223-00	22 - 28	688-81830-11	10 - 12	703-82592-00	22 - 54
6H1-44144-00	17 - 70	663-45119-00	13 - 18	688-45587-01-30	17 - 5	703-48225-00	22 - 29	688-81831-00	10 - 13	688-82594-00	9 - 39
6H1-44151-00	17 - 69	688-45123-00	16 - 11	688-45587-01-40	17 - 5	703-48226-00	22 - 26	663-81832-11	10 - 11	703-82594-00	22 - 25
688-44194-00	2 - 14		25 - 5	688-45587-01-50	17 - 5	703-48227-00	22 - 24	663-81840-11	10 - 6	703-83383-A0	22 - 51
	12 - 21	663-45155-10	16 - 2	6H1-45611-01	17 - 40	703-48232-00	22 - 62	676-81850-11	10 - 2	6Y5-8350T-01	23 - 1
688-44311-01	17 - 21	688-45211-00-4D	25 - 33	6H1-45631-01	17 - 50	703-48234-00	22 - 18	676-81857-10	10 - 4	6Y5-83553-00	23 - 6
688-44315-A0	17 - 24	688-45211-01-4D	16 - 22	688-45633-00	17 - 52	703-48235-00	22 - 4	6H1-81916-00	9 - 28	6E5-83558-00	18 - 27
	25 - 9	6H1-45214-00	17 - 12	6H1-45634-02	17 - 44	703-48236-00	22 - 16	6G1-81941-10	9 - 16	6E5-83558-10	17 - 67
	25 - 20	6H1-45215-00	17 - 13	6H1-45635-00	17 - 53	703-48238-00	22 - 22	6E9-81945-70	9 - 18	6H1-83614-00	9 - 49
688-44316-A0	17 - 30	6H1-45251-03	13 - 2	6H1-45641-01	17 - 42	703-48243-00	22 - 15	6H0-81949-01	9 - 45	6A1-83625-41	4 - 24
	25 - 11	6H1-45300-15-4D	17 - 1	6H1-45668-00	17 - 47	703-48244-00	22 - 21	6H0-81949-10	9 - 44	6H1-83672-12	14 - 1
	25 - 23	6H1-45300-24-4D	17 - 1	688-45930-02-98	18 - 22	703-48245-00	22 - 11	61A-81950-00	9 - 40	6H0-85510-03	8 - 2
688-44321-41	17 - 23	6H1-45301-03-4D	17 - 2	688-45932-60-98	18 - 22	703-48246-00	22 - 23	6G1-81952-00	9 - 17	6H0-85540-05	9 - 1
	25 - 29	688-45321-00	17 - 16	6E5-45941-00-EL	18 - 22	701-48248-00	22 - 13	6H0-81960-10	9 - 10	6H1-85542-00-94	9 - 22
688-44322-00	17 - 22	688-45331-00-94	17 - 55	6E5-45943-00-EL	18 - 22	703-48252-00	22 - 12	6H0-82105-02	9 - 35	6H1-85542-10	9 - 3
	25 - 18	688-45341-10	17 - 10	6E5-45945-01-EL	18 - 22	703-48261-01	22 - 2	6H0-82117-00	9 - 37	6H0-85550-00	8 - 1
688-44322-41	17 - 22	6E5-45371-10	18 - 25	6E5-45947-00-EL	18 - 22	703-48264-00	22 - 6	682-82119-01	9 - 43	697-85570-00	9 - 7
	25 - 30	688-45371-02	18 - 12	6E5-45949-00-EL	18 - 22	703-48265-00	22 - 9		9 - 46	6H0-85580-01	8 - 3
688-44323-00	17 - 31	688-45375-00	18 - 11	6E5-45952-00-EL	18 - 22	703-48268-00	22 - 5	703-82119-00	9 - 2	6H1-85711-60	4 - 23
	25 - 21	663-45376-00-94	18 - 10	6E5-45954-00-EL	18 - 22	703-48271-00	22 - 60		14 - 42	6R5-85711-60	9 - 52
688-44323-40	17 - 31	6E5-45378-00	17 - 65	6E5-45956-00-EL	18 - 22	703-48281-00	22 - 31	688-82127-02	14 - 25	6H1-85720-15	6 - 51
	25 - 31	688-45383-02	17 - 62	6E5-45970-10	18 - 23	703-48282-00	22 - 32	6E5-82148-00	13 - 12	6H2-85895-01	8 - 4
688-44324-A0	17 - 32	688-45384-00	17 - 63	688-45970-03-98	18 - 22	703-48284-00	22 - 52	6H1-82148-00	13 - 8	9E450-04433	23 - 2
	25 - 10	6H1-45501-11	17 - 36	6E5-45972-10	18 - 23	701-48287-00	22 - 42	1E6-82151-00	23 - 7	9E450-04533	23 - 3
	25 - 22	688-45501-22	17 - 36	688-45972-02-98	18 - 22	703-48291-10	22 - 39	663-82151-00	9 - 34	90101-10M49	14 - 27
688-44341-01-94	17 - 27		25 - 38	6E5-45974-10	18 - 23	703-48293-10	22 - 41	6G5-82152-00	9 - 21	90101-12M65	13 - 44
688-44352-03	17 - 25	688-45536-01	17 - 4	688-45974-02-98	18 - 22	701-48320-30	21 - 2	6A0-82317-00	6 - 50	90105-10M67	18 - 13
	25 - 19	688-45551-01	17 - 37	6E5-45976-10	18 - 23	663-48344-00	12 - 6	6E3-82370-21	9 - 30	90109-06M39	6 - 5
688-44361-10	18 - 2	688-45560-00	17 - 39	688-45976-01-98	18 - 22	703-48345-01	22 - 19	703-82510-12	22 - 44		9 - 26
688-44361-20	18 - 2	688-45567-01-10	17 - 7	6E5-45978-10	18 - 23	703-48358-00	22 - 20	697-82519-00	9 - 38	90109-06M40	6 - 6

NUMERICAL INDEX
INDICE NUMERICO

PART NO. CODIGO NO.	REF. NO.	PART NO. CODIGO NO.	REF. NO.	PART NO. CODIGO NO.	REF. NO.	PART NO. CODIGO NO.	REF. NO.	PART NO. CODIGO NO.	REF. NO.	PART NO. CODIGO NO.	REF. NO.
90109-08022	3 - 23	90201-06M31	9 - 27	90386-30M77	14 - 6	90465-13M30	6 - 34	92903-08100	10 - 17	93102-36M02	3 - 13
90109-12261	14 - 15	90201-06416	11 - 17	90386-30M78	14 - 5	90465-18147	5 - 42		12 - 44		24 - 13
90116-10M05	16 - 23	90201-08M13	12 - 16	90387-06M03	9 - 24	90467-06016	2 - 17	92903-08600	12 - 45	93104-20M02	3 - 4
	25 - 35	90201-08M23	12 - 11	90387-06M17	12 - 31		2 - 21	92990-04100	23 - 4		24 - 15
90116-10M06	2 - 22	90201-08M93	6 - 17	90387-06M31	6 - 32		3 - 8	92990-05100	4 - 15	93106-09014	17 - 18
90116-10175	14 - 37	90201-10M20	20 - 3	90387-06M69	11 - 16		4 - 2		7 - 20		25 - 8
90119-06MA3	2 - 37	90201-10M63	20 - 7	90387-08M16	12 - 13	90467-08004	2 - 50	92990-06600	11 - 31	93210-04228	5 - 13
90119-06MA5	2 - 44	90201-10008	2 - 11	90387-10M02	13 - 32		4 - 5	92990-08200	12 - 51		24 - 22
90119-06M09	11 - 8	90201-11M22	14 - 30	90387-10M42	20 - 6		6 - 47	92990-08600	10 - 18	93210-04230	5 - 26
90119-06M12	2 - 9	90201-12M16	14 - 12	90430-08020	17 - 11		7 - 5		22 - 34		24 - 29
90119-06M24	12 - 33	90201-12426	13 - 46		25 - 6		7 - 28	92990-10100	18 - 8	93210-064A5	15 - 38
90119-06M29	13 - 4	90201-13M19	14 - 14	90430-12072	18 - 4		7 - 32	92990-10600	18 - 7	93210-07003	17 - 71
90119-06M61	11 - 19	90201-17M00	18 - 19		25 - 15	90467-11M08	6 - 30	92995-04600	10 - 21	93210-08287	19 - 14
90119-06M75	9 - 25	90201-20M21	14 - 28	90430-14115	2 - 34	90467-12M11	6 - 46	92995-06100	1 - 8		19 - 16
90119-06M88	6 - 48	90201-20417	3 - 25		24 - 7	90468-05M03	6 - 24		2 - 25	93210-09165	15 - 37
90119-08MA3	2 - 29	90201-21M18	8 - 10	90440-14M00	13 - 48	90468-07M02	6 - 7		9 - 15	93210-10M74	15 - 54
90119-08MA8	2 - 32	90201-22M67	13 - 23	90445-07ME9	17 - 66		6 - 11		11 - 27	93210-13M04	6 - 19
90119-08M13	17 - 35	90201-30M00	14 - 4	90445-07MF1	18 - 26		6 - 14		11 - 29	93210-16275	20 - 10
	25 - 25	90202-05088	6 - 23	90445-07MF2	17 - 66	90468-18008	12 - 9		13 - 6	93210-18M75	15 - 56
90119-08M16	17 - 34	90202-07M07	12 - 39	90445-07M00	2 - 19		12 - 40	92995-06600	1 - 9	93210-18397	15 - 26
	25 - 26	90202-12060	18 - 3	90445-07M23	2 - 20		12 - 52		1 - 13	93210-19MA7	6 - 4
	16 - 17	90202-12092	12 - 15		4 - 1	90480-09M12	11 - 15		3 - 10	93210-29M94	14 - 7
90119-08M79	16 - 4	90202-20M06	14 - 29	90445-07M44	6 - 10	90480-09M25	9 - 23		7 - 3	93210-32738	7 - 9
90119-08M80	18 - 9	90202-25M04	14 - 13	90445-07M86	3 - 7	90480-19M06	18 - 15		7 - 26		24 - 18
90119-08M84	16 - 26	90206-10M04	12 - 32	90445-07M87	6 - 12	90480-20M05	2 - 38		8 - 7	93210-39ME4	4 - 9
	25 - 37	90206-13019	11 - 6	90445-07M90	6 - 8	90480-24M04	2 - 18		8 - 13		24 - 3
90119-08020	2 - 51	90209-06M05	4 - 21	90445-07240	6 - 9	90501-10326	5 - 6		8 - 18		24 - 30
90119-10005	2 - 10	90249-06M19	13 - 31	90445-07260	2 - 16	90501-12M48	17 - 41		9 - 6	93210-46M16	3 - 14
90151-05M00	17 - 14	90250-07M02	17 - 51	90445-08M01	6 - 44	90501-12082	12 - 47		9 - 12		24 - 12
90157-06M01	11 - 20	90266-06009	1 - 10	90445-09097	7 - 29	90501-14M08	14 - 21		9 - 42	93210-46044	4 - 19
90157-06013	12 - 20	90280-04M04	17 - 26	90445-09105	7 - 4	90501-16M11	2 - 40		11 - 14		17 - 29
90157-06014	2 - 13		25 - 27	90445-09220	7 - 33	90501-16M12	12 - 23		13 - 7		24 - 2
90159-06M11	9 - 29	90280-05015	8 - 8	90445-11M05	19 - 11	90501-16M65	17 - 45		13 - 10		25 - 12
90159-06M20	8 - 15	90282-04010	17 - 64	90445-11M06	19 - 9	90502-16M02	13 - 39		17 - 20		25 - 24
90170-09M03	20 - 5	90338-05M03	13 - 20	90445-11M09	6 - 27	90506-14M24	13 - 33	92995-08100	12 - 5	93210-49046	17 - 17
90170-16M01	17 - 38	90338-05M12	1 - 26	90464-07M05	6 - 15	90508-29M05	12 - 17		14 - 20		25 - 7
90170-20137	8 - 9	90340-08002	17 - 9	90464-11M18	13 - 19	91318-08016	15 - 66		14 - 35	93210-62269	3 - 5
90171-16011	18 - 20	90340-14M00	2 - 33	90464-11M24	6 - 28	91490-40025	18 - 21		16 - 14		24 - 16
90179-06066	14 - 22	90386-07M58	12 - 50	90464-15M08	11 - 21	91690-30012	12 - 3		16 - 16	93210-64488	15 - 28
90183-02M03	17 - 49	90386-10M16	13 - 28	90464-18M14	9 - 51		13 - 38		16 - 19	93210-85M97	17 - 59
90183-05M06	1 - 27	90386-12089	12 - 12	90464-23M22	9 - 36	91690-30020	13 - 30	92995-10100	13 - 15		25 - 13
90185-05002	17 - 15	90386-13M38	11 - 5	90465-06M90	8 - 16	92901-04100	15 - 76	92995-12200	13 - 45	93306-206U5	3 - 16
90185-08057	14 - 40	90386-18M14	15 - 31	90465-08M23	9 - 13	92901-05200	15 - 63	93101-25M03	17 - 28	93306-207U0	17 - 56
90185-09M01	20 - 4	90386-18M35	13 - 41	90465-11M10	14 - 41	92903-06100	4 - 17		17 - 61	93310-636U4	3 - 12
90185-10051	14 - 31	90386-18M63	13 - 43		17 - 68	92903-06600	5 - 44		25 - 14	93310-730V8	3 - 26
	14 - 38	90386-22M13	12 - 14	90465-11M27	6 - 29		9 - 9	93102-08M43	15 - 14	93310-835U8	3 - 15
90185-22043	13 - 24	90386-22M15	13 - 22	90465-12M03	2 - 23		9 - 20	93102-30M05	3 - 3	93315-325V1	17 - 3
90201-03313	17 - 48	90386-30M60	14 - 8	90465-13M11	9 - 4		12 - 36		24 - 14	93317-325U0	17 - 60

NUMERICAL INDEX
INDICE NUMERICO

PART NO. CODIGO NO.	REF. NO.	PART NO. CODIGO NO.	REF. NO.	PART NO. CODIGO NO.	REF. NO.	PART NO. CODIGO NO.	REF. NO.	PART NO. CODIGO NO.	REF. NO.	PART NO. CODIGO NO.	REF. NO.
93332-000U3	17 - 6	97075-08035	14 - 34	98501-05010	15 - 62						
93332-000W7	17 - 8		16 - 18	98503-05028	7 - 19						
93410-18M02	13 - 42	97075-10040	18 - 6	98580-03015	22 - 38						
93410-28M06	14 - 10	97095-05012	8 - 5	98580-04006	22 - 36						
93410-32M00	3 - 17	97095-06010	8 - 12	98580-04008	5 - 16						
93430-06024	22 - 10		13 - 9	98580-04010	22 - 35						
93450-07M00	17 - 73		13 - 35	98580-05010	22 - 37						
93501-04M02	12 - 46	97095-06012	2 - 53	98586-05016	19 - 4						
93503-16003	17 - 46		8 - 17	98780-04015	2 - 27						
93505-32038	15 - 79		9 - 14	98980-03006	5 - 36						
93603-12M11	17 - 43	97095-06014	2 - 24	99001-08600	17 - 72						
93603-21111	3 - 24	97095-06016	1 - 7								
93604-10M03	17 - 33		1 - 12								
93606-12019	16 - 3		6 - 31								
	16 - 21		9 - 50								
	16 - 24		11 - 13								
	18 - 5		13 - 5								
	25 - 34		17 - 19								
93608-12063	2 - 8	97095-06020	3 - 9								
93700-06M03	13 - 17		7 - 2								
94702-00160	2 - 57		9 - 11								
94702-00247	2 - 57		11 - 26								
95303-06600	12 - 22	97095-06025	9 - 41								
95303-06700	2 - 15	97095-06030	11 - 18								
95313-10600	2 - 12		11 - 28								
95380-03600	5 - 35	97095-06040	7 - 25								
	7 - 16		8 - 6								
95380-04600	23 - 5	97095-06050	9 - 5								
95380-05600	6 - 22	97095-06095	4 - 8								
	12 - 25	97095-08012	2 - 56								
	12 - 28	97095-08016	12 - 4								
	22 - 7	97095-08045	12 - 10								
95380-06600	22 - 40	97095-10045	13 - 14								
95380-08600	7 - 11	97380-05025	22 - 8								
95380-10600	16 - 25	97380-08030	22 - 33								
	25 - 36	97595-06420	15 - 35								
95380-12600	13 - 47	97607-04310	15 - 11								
95380-12800	14 - 17	97780-40512	18 - 16								
97013-06012	5 - 43	97803-04008	5 - 34								
97013-06016	9 - 19	97880-05020	4 - 14								
97013-06020	9 - 8	97880-06012	13 - 13								
	12 - 35	97885-04010	10 - 20								
97013-06030	4 - 16	97885-05016	15 - 10								
97013-08030	10 - 16	97885-06016	14 - 2								
	12 - 43		14 - 24								
97075-08025	14 - 19	97885-06050	4 - 20								
	16 - 15	97980-04114	5 - 4								
97075-08030	16 - 13	98501-04025	15 - 75								

90AETO
PARTS CATALOGUE
©2001 by Yamaha Motor Co., Ltd.
1st Edition, Oct. 2001
All rights reserved.
Any reprinting or unauthorized use
without the written permission of
Yamaha Motor Co., Ltd.
is expressly prohibited.

90AETO
CATALOGO DE REPUESTOS
©2001, Yamaha Motor Co., Ltd.
1ª edición, Oct. 2000
Reservados todos los derechos.
Se prohíbe expresamente toda reimpresión
o utilización no autorizada de este manual
sin el consentimiento por escrito de
Yamaha Motor Co., Ltd.