



PARTS CATALOGUE

YAMAHA GENERATOR

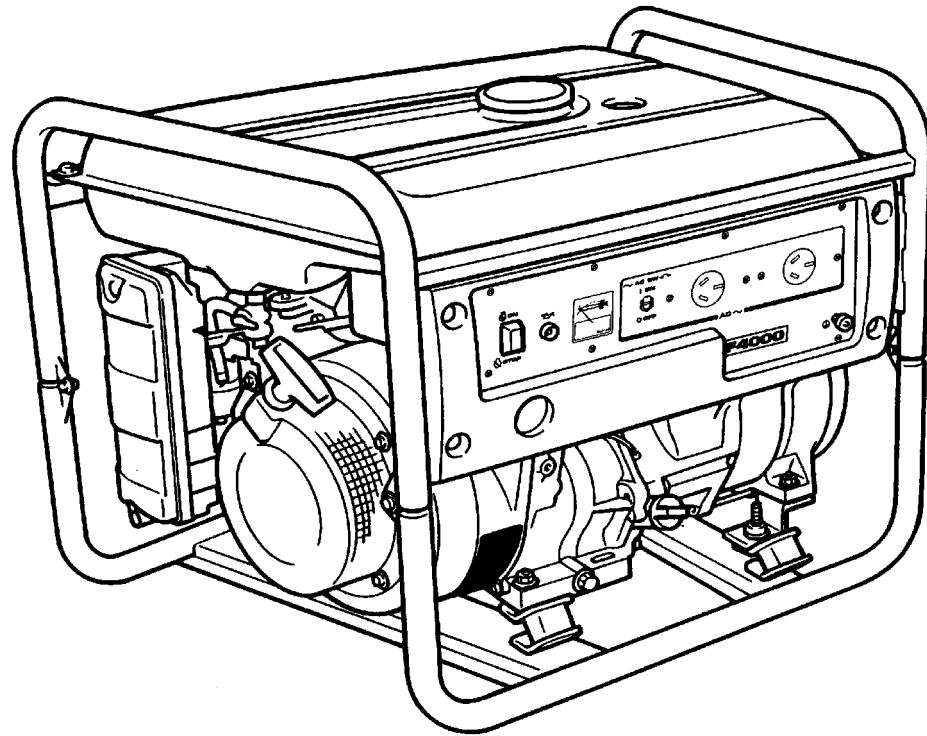
EF4000D (7VW2) (120/240V/60Hz) **COLOMBIA**

EF4000 (7VW3) (220V/50Hz) **OTHER**

EF4000 (7VW4) (240V/50Hz) **AUSTRALIA**

EF4000D/EF4000
PARTS CATALOGUE
©2001 by Yamaha Motor Co., Ltd.
1st Edition, Jan. 2001
All rights reserved.
Any reprinting or unauthorized use
without the written permission of
Yamaha Motor Co., Ltd.
is expressly prohibited.

A3



A4

FOREWORD

This Parts Catalogue is related to the parts for the model(s) in the below frame. When you are ordering replacement parts, please refer to this Parts Catalogue and quote both part numbers and part names correctly.

1. Modifications or additions which have been made after issue of the Parts Catalogue will be announced in the Yamaha Parts News.
It is advisable that you make necessary corrections to the Parts Catalogue according to the Yamaha Parts News.

2. Abbreviations

The following abbreviations are used in this Parts Catalogue.

“UR” Use specified parts number.

“UN” Use as many as needed.

“AP” Alternate Parts

“LM” Local Made (Parts need to be ordered locally)

“F#” Frame No. (Applicable machine No.)

3. Parts, which are to be supplied in an assembly, are listed with a dot(.) in front of the part name as shown below.

EXAMPLE

CARBURETOR ASSY

.JET, PILOT

.NOZZLE, MAIN

4. Number of component for assembly

The numeral appearing to the right of each component part indicates the quantity of parts for each assembly unit.

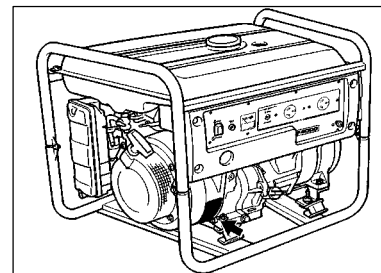
EXAMPLE

PART NO.	DESCRIPTION	Q'TY	REMARKS
2F5-83310-60	FRONT FLASHER LIGHT ASSY	2	
115-83311-60	.BULB (6V-18W)	1	

5. Applicable Starting Serial No. and Color Code

MODEL NAME	MODEL TYPE	DESTINATION	VOLTAGE	FRAME NO.
EF4000D	7VW2	OTHER(COL)	120/240V/60Hz	7VW-200101
EF4000	7VW3	OTHER	220V/50Hz	7VW-300101
EF4000	7VW3	OTHER(NGA)	220V/50Hz	7VW-380101
EF4000	7VW3	OTHER(CHN)	220V/50Hz	7VW-320101
EF4000	7VW4	AUSTRALIA	240V/50Hz	7VW-400101

Engine Serial No.



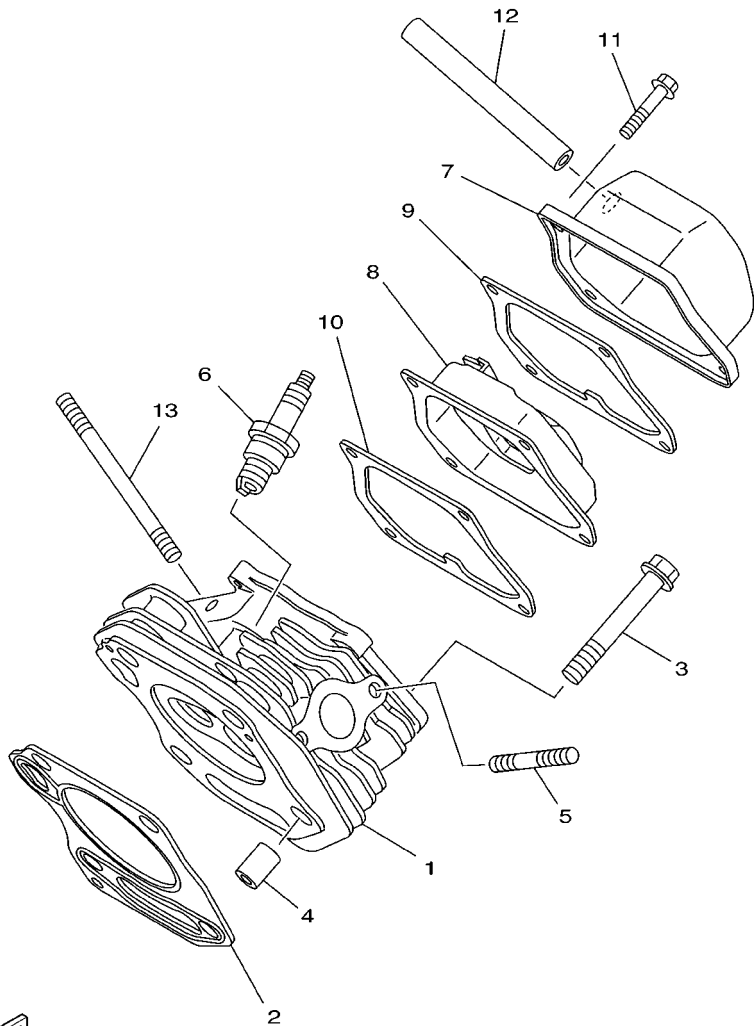
Color Code	Color Name	Abbreviation	MODEL	Country (destination)
00NJ	FARAWAY BLUE	FWB	7VW2	COLOMBIA
			7VW3	OTHER
			7VW4	AUSTRALIA

6. Note that the illustrations for reference in finding parts numbers, not to be used for assembling. When assembling, please use the applicable service manual.

7. The asterisk (*) before a reference number indicates modification items after the first edition.

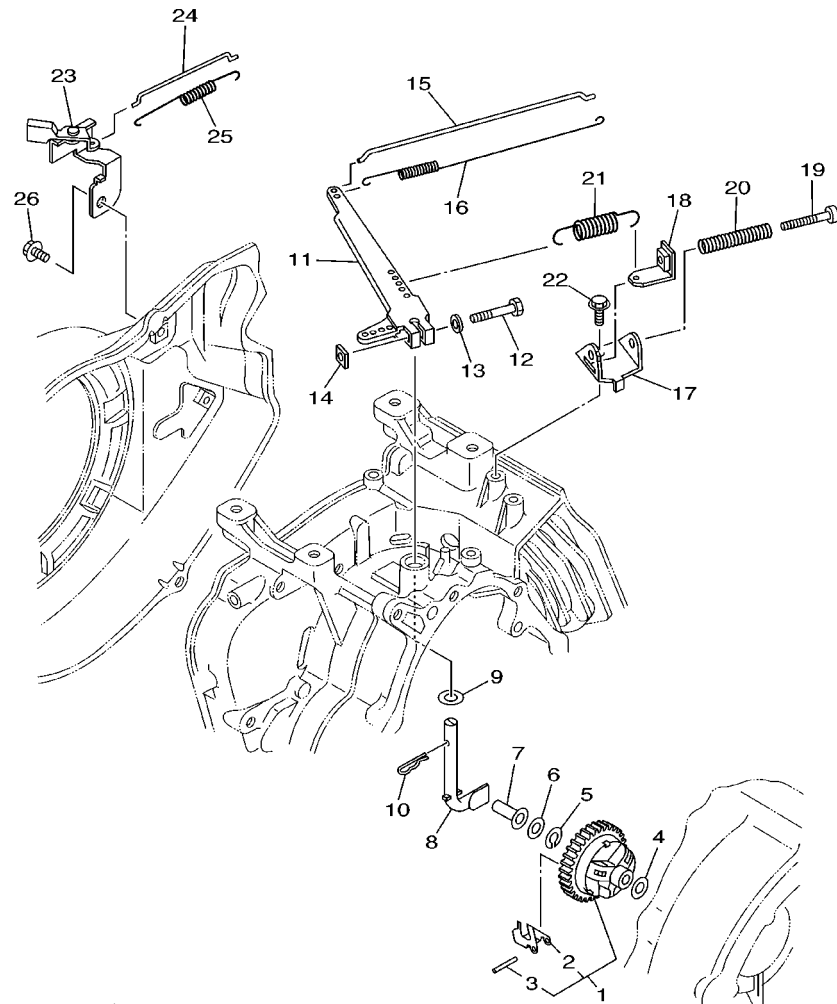
FIG. 1 CYLINDER

REF. NO.	PART NO.	DESCRIPTION	7VW2	7VW3	7VW4	REMARKS
1	7UH-11111-00	HEAD, CYLINDER 1	1	1	1	
2	7UH-11181-00	GASKET, CYLINDER HEAD 1	1	1	1	
3	95817-10070	BOLT, FLANGE	4	4	4	
4	99530-14016	PIN, DOWEL	2	2	2	
5	95627-08618	BOLT, STUD	2	2	2	
6	94702-00331	PLUG, SPARK (NGK BPR4ES)	1	1	1	
7	7UH-11191-00	COVER, CYLINDER HEAD 1	1	1	1	
8	7UH-11160-00	BREATHER ASSY	1	1	1	
9	7UH-11169-00	GASKET, BREATHER COVER	1	1	1	
10	7UH-11193-00	GASKET, HEAD COVER 1	1	1	1	
11	95827-06012	BOLT, FLANGE	4	4	4	
12	7RH-11166-00	PIPE, BREATHER 1	1	1	1	
13	90116-06450	BOLT, STUD	2	2	2	



7UH1110-0010

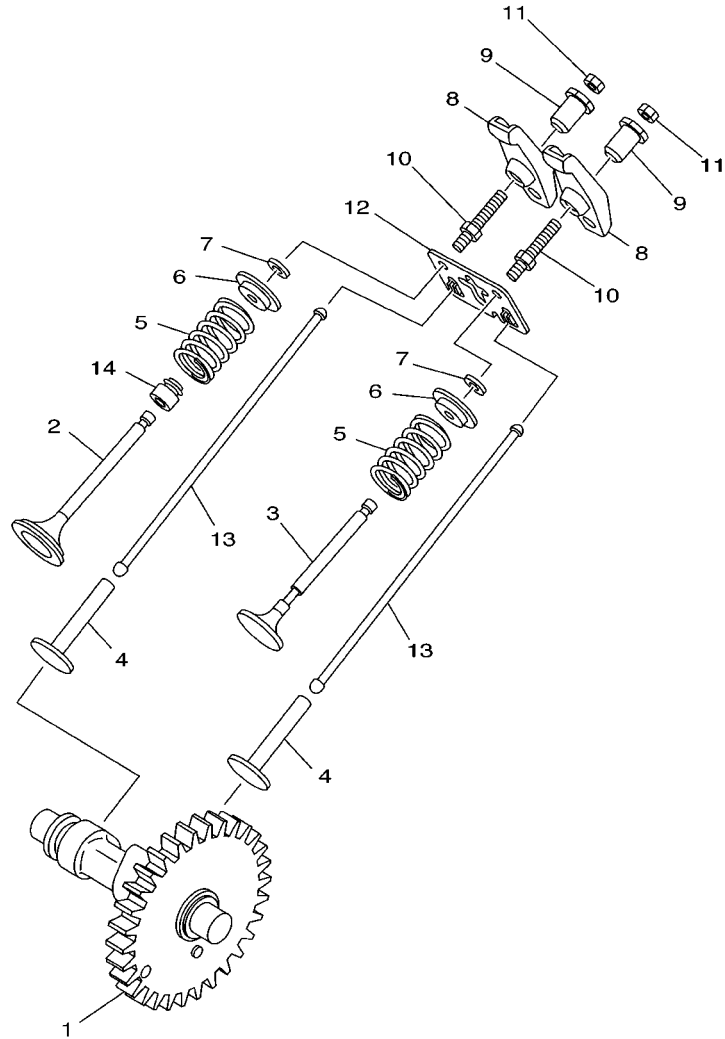
FIG. 3 GOVERNOR



7VW1010-0030

REF. NO.	PART NO.	DESCRIPTION	7VW2	7VW3	7VW4	REMARKS
1	7RH-11970-00	FLYWEIGHT SHAFT ASSY.	1	1	1	
2	7RH-11913-00	.WEIGHT	3	3	3	
3	7FK-11914-00	.SHAFT, WEIGHT	3	3	3	
4	90201-065K7	WASHER, PLATE	1	1	1	
5	93440-06107	CIRCLIP	1	1	1	
6	90201-067L0	WASHER, PLATE	1	1	1	
7	7KY-11917-00	COLLAR	1	1	1	
8	7RH-11922-00	FORK, GOVERNOR	1	1	1	
9	90201-08092	WASHER, PLATE	2	2	2	
10	90468-12006	CLIP	1	1	1	
11	7UH-11924-00	ARM, GOVERNOR	1	1	1	
12	97027-06030	BOLT	1	1	1	
13	92907-06600	WASHER, PLATE	1	1	1	
14	90173-06017	NUT, SQUARE	1	1	1	
15	7LV-11928-10	ROD, LINK	1	1	1	
16	90506-04495	SPRING, TENSION	1	1	1	
17	73A-11941-00	STAY	1	1	1	
18	73A-11931-00	LEVER	1	1	1	
19	98507-06035	SCREW, PAN HEAD	1	1	1	
20	90501-10264	SPRING, COMPRESSION	1	1	1	
21	7VW-11925-00	SPRING, GOVERNOR	1	1	1	
22	95807-06012	BOLT, FLANGE	1	1	1	
23	7VW-41250-00	CHOKE BRACKET ASSY	1	1	1	
24	7VW-41256-00	ROD, CHOKE 1	1	1	1	
25	90506-04003	SPRING, TENSION	1	1	1	
26	95807-06008	BOLT, FLANGE	1	1	1	

FIG. 4 CAMSHAFT.VALVE

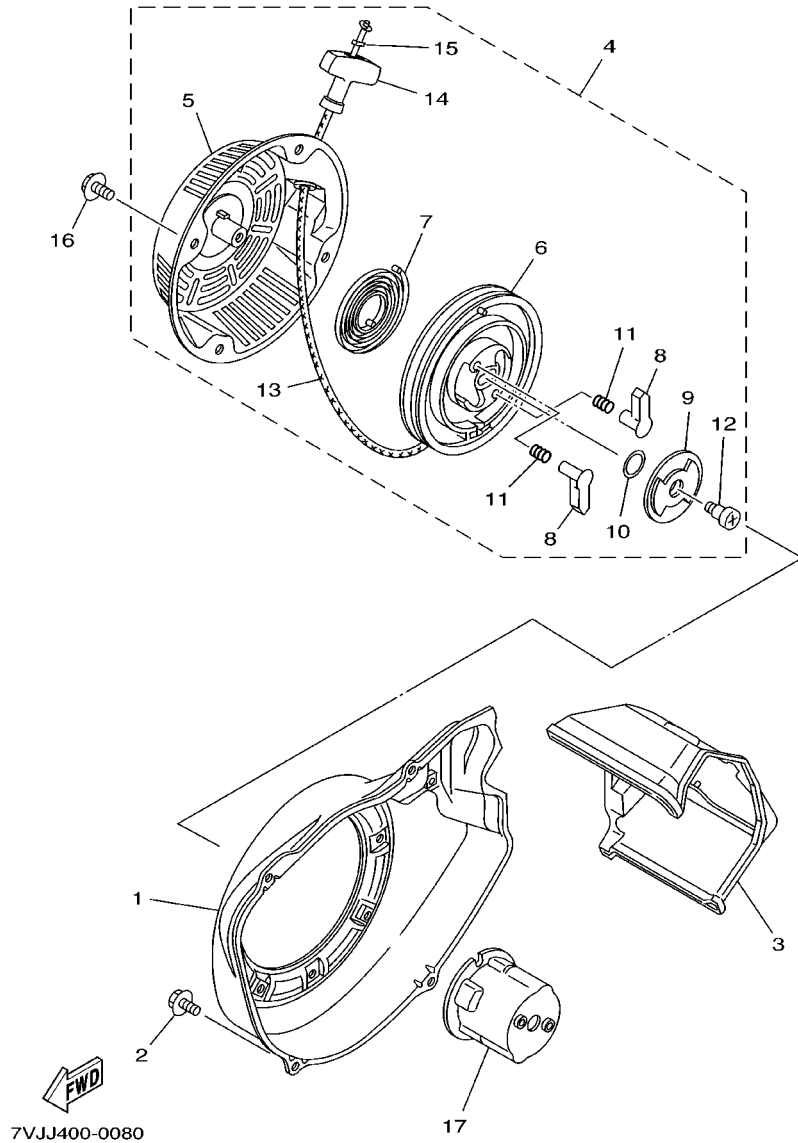


REF. NO.	PART NO.	DESCRIPTION	7VW2	7VW3	7VW4	REMARKS
1	7UH-12170-00	CAMSHAFT ASSY 1	1	1	1	
2	7UH-12111-00	VALVE, INTAKE	1	1	1	
3	7UH-12121-00	VALVE, EXHAUST	1	1	1	
4	JN6-12153-00	LIFTER, VALVE	2	2	2	
5	90501-232G3	SPRING, COMPRESSION	2	2	2	
6	J38-12117-01	RETAINER, VALVE SPRING	2	2	2	
7	J38-12118-00	COTTER, VALVE	2	2	2	
8	JE8-12151-00	ARM, VALVE ROCKER	2	2	2	
9	7FK-12165-00	PIVOT, ROCKER ARM	2	2	2	
10	7FK-12157-00	BOLT	2	2	2	
11	7FK-12158-00	NUT, LOCK	2	2	2	
12	7UH-12155-00	GUIDE, PUSH ROD	1	1	1	
13	7UH-12154-00	ROD, VALVE PUSH	2	2	2	
14	4G0-12119-00	SEAL, VALVE STEM	1	1	1	



7UH1110-0080

FIG. 5 AIR SHROUD. STARTER



REF. NO.	PART NO.	DESCRIPTION	7VW2	7VW3	7VW4	REMARKS
1	7VW-12621-00	CASE, FAN	1	1	1	
2	95827-06012	BOLT, FLANGE	4	4	4	
3	7UH-12651-00	AIR SHROUD, CYLINDER 1	1	1	1	
4	7VJ-15710-00	STARTER ASSY	1	1	1	
5	7RH-15711-00	.CASE, STARTER	1	1	1	
6	7RH-15714-00	.DRUM, SHEAVE	1	1	1	
7	JK4-15713-00	.SPRING, STARTER	1	1	1	
8	7RH-15741-00	.PAWL, DRIVE	2	2	2	
9	7RH-15716-00	.PLATE, DRIVE	1	1	1	
10	7RH-15715-00	.SPRING, FRICTION	1	1	1	
11	JK4-15743-00	.SPRING, RETURN	2	2	2	
12	7NJ-15793-00	.SCREW	1	1	1	
13	7NJ-15751-01	.ROPE, STARTER (5.0X1500)	1	1	1	
14	7EG-15755-00	.HANDLE, STARTER	1	1	1	
15	7EG-15756-00	.CONNECTOR 1	1	1	1	
16	95807-06008	BOLT, FLANGE	4	4	4	
17	7VJ-15723-00	PULLEY, STARTER	1	1	1	

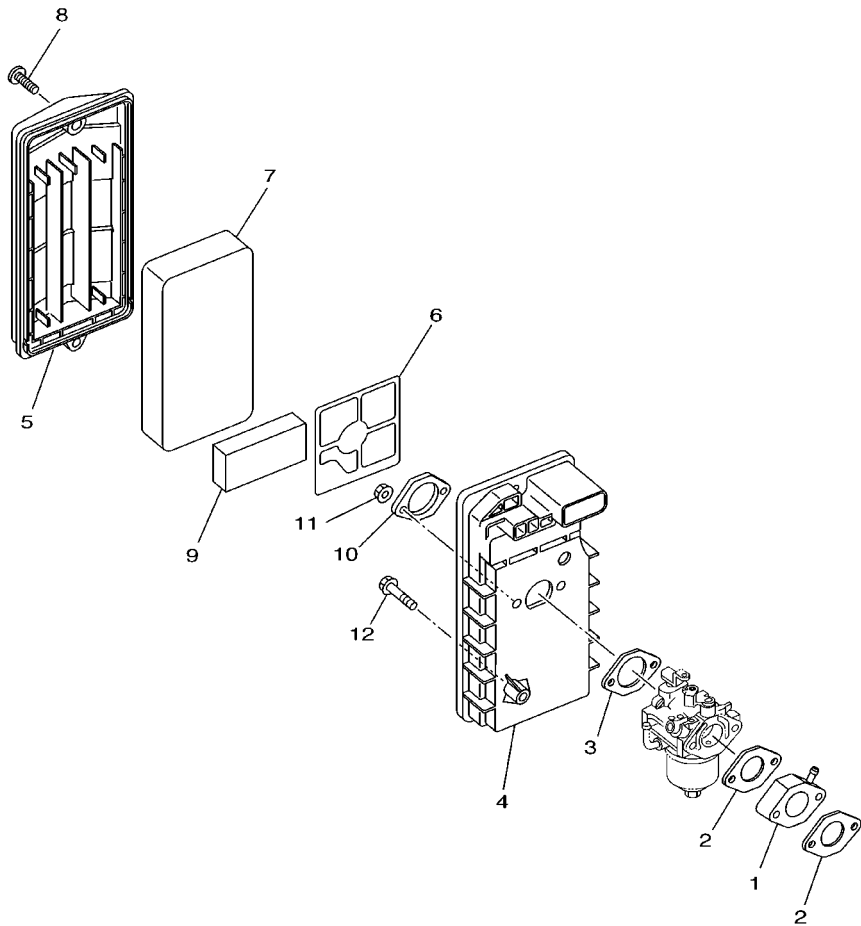
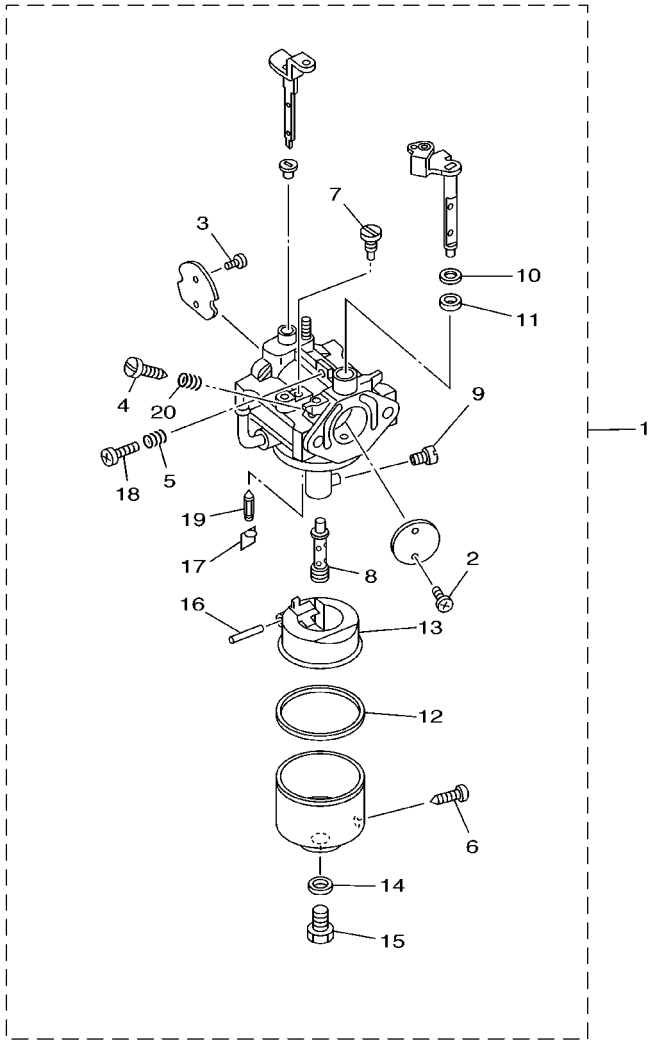


FIG. 6 INTAKE

REF. NO.	PART NO.	DESCRIPTION	7VW2	7VW3	7VW4	REMARKS
1	7UH-13596-00	JOINT, CARBURETOR 2	1	1	1	
2	7UH-13557-00	GASKET	2	2	2	
3	7UH-13567-00	GASKET	1	1	1	
4	7VJ-14411-00	CASE, AIR CLEANER 1	1	1	1	
5	7VJ-14412-00	CAP, CLEANER CASE 1	1	1	1	
6	7VJ-14468-00	PLATE,ELEMENT FITTING	1	1	1	
7	7VJ-14451-00	ELEMENT, AIR CLEANER	1	1	1	
8	7RH-14429-00	SCREW	2	2	2	
9	7VJ-14409-00	DAMPER	1	1	1	
10	7VJ-14477-00	PLATE	1	1	1	
11	95707-06500	NUT, FLANGE	2	2	2	
12	95807-06035	BOLT, FLANGE	1	1	1	


7VW1010-0060

FIG. 7 CARBURETOR



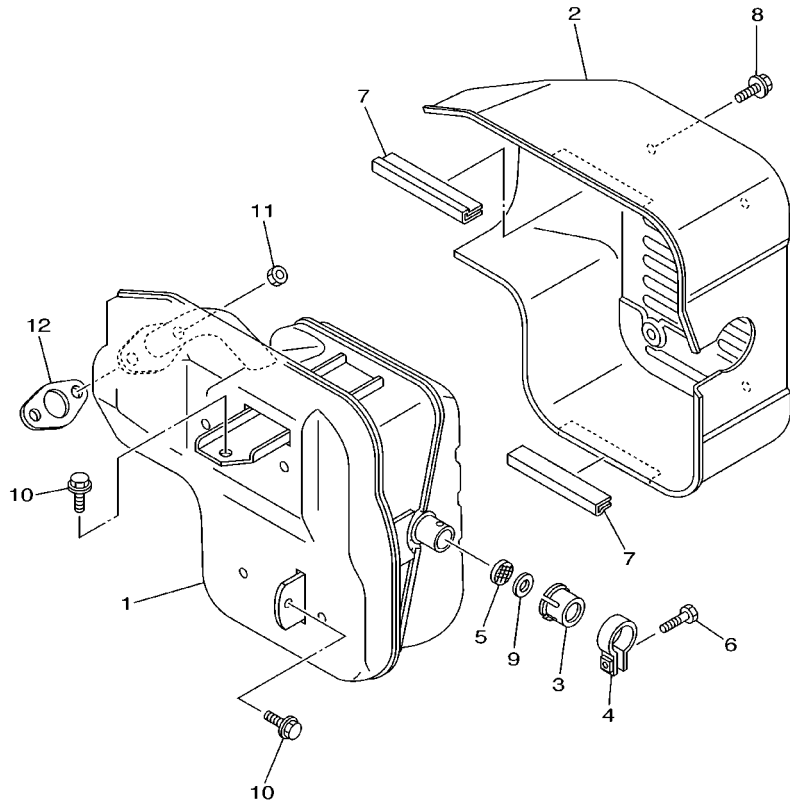
REF. NO.	PART NO.	DESCRIPTION	7VW2	7VW3	7VW4	REMARKS
1	7VW-14101-10	CARBURETOR ASSY 1	1	1	1	
2	7RH-14216-00	.SCREW	2	2	2	
3	7RH-14486-00	.SCREW, ROD	2	2	2	
4	7LV-14211-00	.SCREW, PILOT ADJUSTING	1	1	1	
5	73A-14212-10	.SPRING	1	1	1	
6	7E1-14191-00	.PLUG, DRAIN	1	1	1	
7	620-1414J-17	.JET, PILOT (#43.8)	1	1	1	
8	7UH-1495A-00	.NOZZLE, MAIN	1	1	1	
9	1HX-1423E-34	.JET, MAIN (#86.3)	1	1	1	
10	4CW-14117-00	.WASHER, PLUG SCREW	1	1	1	
11	6K8-14597-10	.WASHER	1	1	1	
12	796-14184-00	.GASKET, FLOAT CHAMBER	1	1	1	
13	JN6-14185-00	.FLOAT	1	1	1	
14	127-14198-00	.GASKET	1	1	1	
15	7UH-14162-00	.BOLT, HOLDING	1	1	1	
16	22F-14186-00	.PIN, FLOAT	1	1	1	
17	7EG-14159-00	.CLIP	1	1	1	
18	7R1-14216-01	.SCREW	1	1	1	
19	73A-14150-00	.NEEDLE ASSY	1	1	1	
20	73A-14212-00	.SPRING	1	1	1	



7VW1010-0070

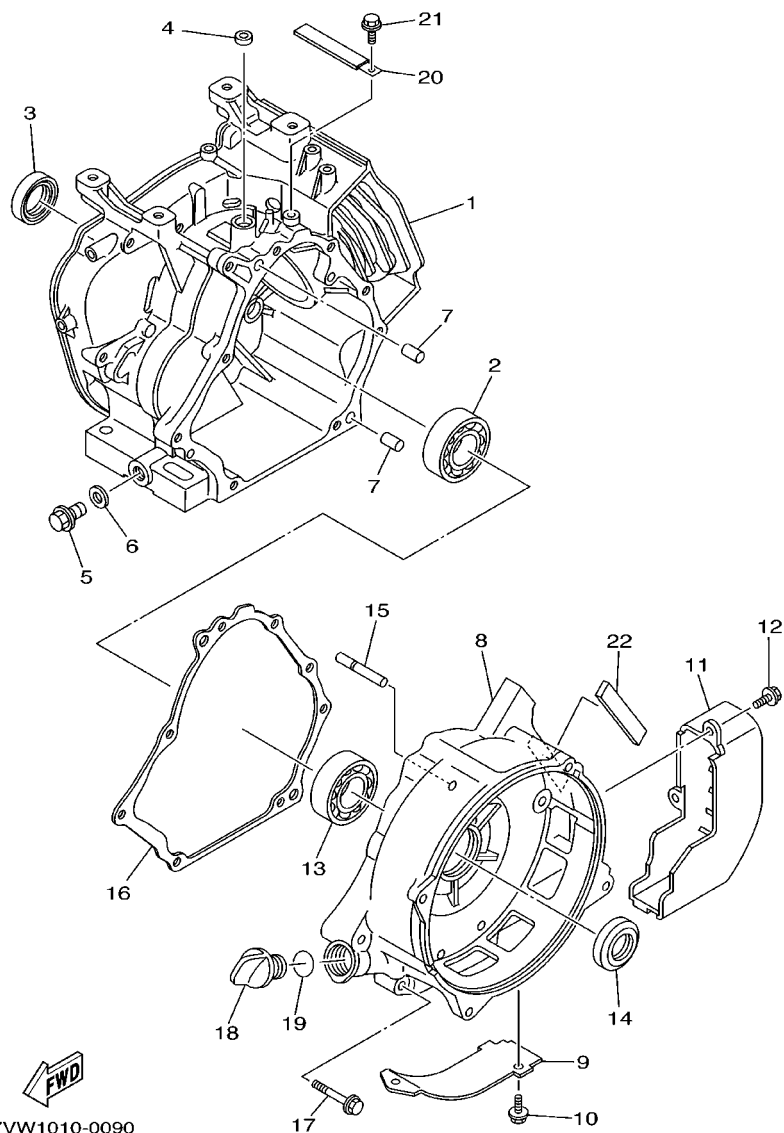
FIG. 8 EXHAUST

REF. NO.	PART NO.	DESCRIPTION	7VW2	7VW3	7VW4	REMARKS
1	7VW-14711-00	MUFFLER 1	1	1	1	
2	7VW-14718-00	PROTECTOR, MUFFLER 1	1	1	1	
3	7NJ-14799-01	CAP	1	1	1	
4	7NJ-14788-00	BAND, SILENCER	1	1	1	
5	7NJ-1479E-00	NET, WIRE 2	1	1	1	
6	90153-05024	SCREW, HEXAGON	1	1	1	
7	7VW-14737-00	DAMPER, MUFFLER	2	2	2	
8	95807-06008	BOLT, FLANGE	4	4	4	
9	90201-171J5	WASHER, PLATE	1	1	1	
10	95807-08016	BOLT, FLANGE	2	2	2	
11	95307-08600	NUT	2	2	2	
12	7UH-14613-00	GASKET, EXHAUST PIPE	1	1	1	



7VW1010-0080

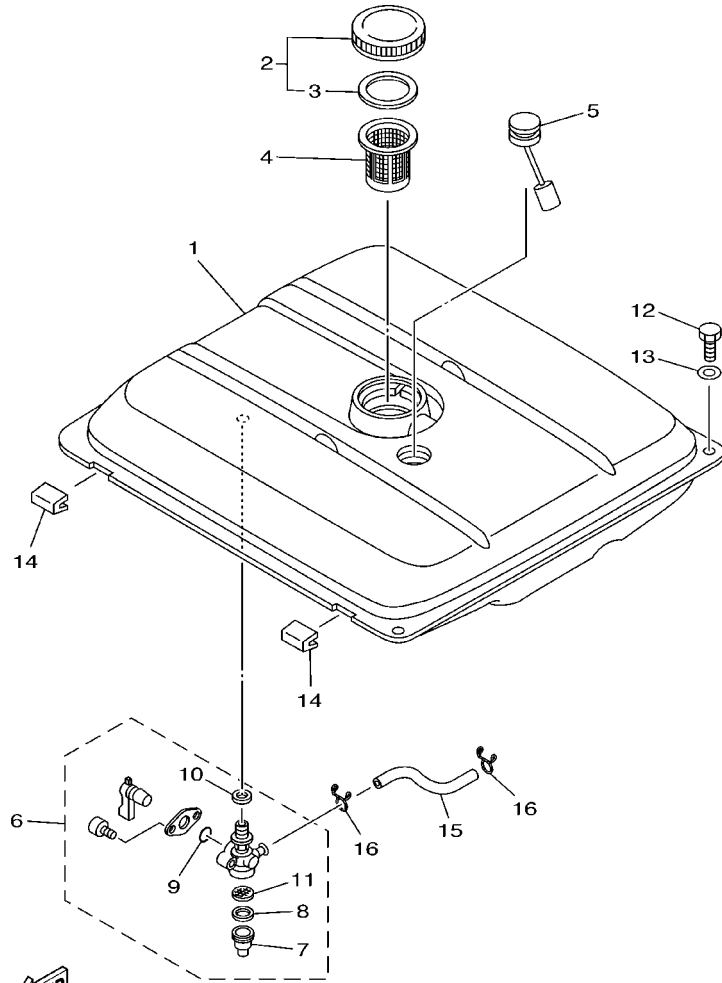
FIG. 9 CRANKCASE



7VW1010-0090

REF. NO.	PART NO.	DESCRIPTION	7VW2	7VW3	7VW4	REMARKS
1	7VW-15111-00	CRANKCASE 1	1	1	1	
2	93306-20637	BEARING	1	1	1	
3	93102-30195	OIL SEAL	1	1	1	
4	93109-08050	OIL SEAL	1	1	1	
5	90340-12097	PLUG, STRAIGHT SCREW	1	1	1	
6	812-11198-00	GASKET	1	1	1	
7	99530-10116	PIN, DOWEL	2	2	2	
8	7VW-15411-00	COVER, CRANKCASE 1	1	1	1	
9	7VW-15423-00	COVER 2	1	1	1	
10	90109-06513	BOLT	2	2	2	
11	7VW-15413-00	COVER, CARBURETOR	1	1	1	
12	90109-06514	BOLT	2	2	2	
13	93306-20637	BEARING	1	1	1	
14	93102-30195	OIL SEAL	1	1	1	
15	7UH-11971-00	SHAFT, FLYWEIGHT	1	1	1	
16	7UH-15451-00	GASKET, CRANKCASE COVER 1	1	1	1	
17	95817-08040	BOLT, FLANGE	8	8	8	
18	796-15363-01	PLUG, OIL	1	1	1	
19	93210-22344	O-RING	1	1	1	
20	90462-05061	CLAMP	1	1	1	
21	95807-06012	BOLT, FLANGE	1	1	1	
22	7NJ-14757-00	DAMPER, MUFFLER 2	1	1	1	

FIG. 11 FUEL TANK



7VW1010-0110

REF. NO.	PART NO.	DESCRIPTION	7VW2	7VW3	7VW4	REMARKS
1	7VW-24110-00-NJ	FUEL TANK COMP.	1	1	1	FWB
2	74T-24610-00	CAP ASSY	1	1	1	
3	796-24612-00	.GASKET, CAP	1	1	1	
4	630-24167-00	STRAINER	1	1	1	
5	7F7-85710-02	FUEL LEVEL GAUGE ASSY	1	1	1	
6	7NJ-24500-01	FUEL COCK ASSY 1	1	1	1	
7	7J3-24521-00	.CUP, FILTER	1	1	1	
8	4X8-24565-00	.GASKET	1	1	1	
9	7NJ-24534-00	.SEAL, COCK	1	1	1	
10	7NJ-24532-00	.GASKET	1	1	1	
11	7NJ-24515-00	.NET, FILTER 2	1	1	1	
12	97007-06012	BOLT	2	2	2	
13	90201-06380	WASHER, PLATE	2	2	2	
14	7LG-24181-00	DAMPER, LOCATING 1	2	2	2	
15	90445-100E9	HOSE (L155)	1	1	1	
16	90467-09006	CLIP	2	2	2	

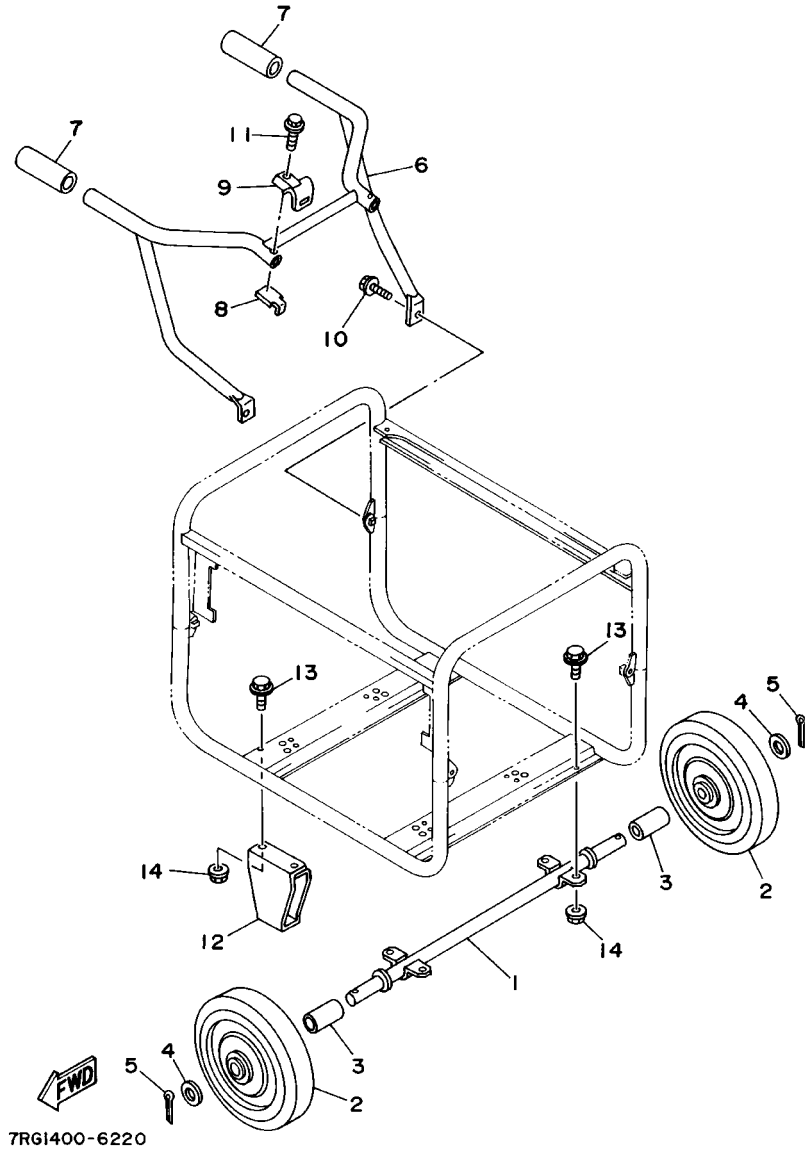
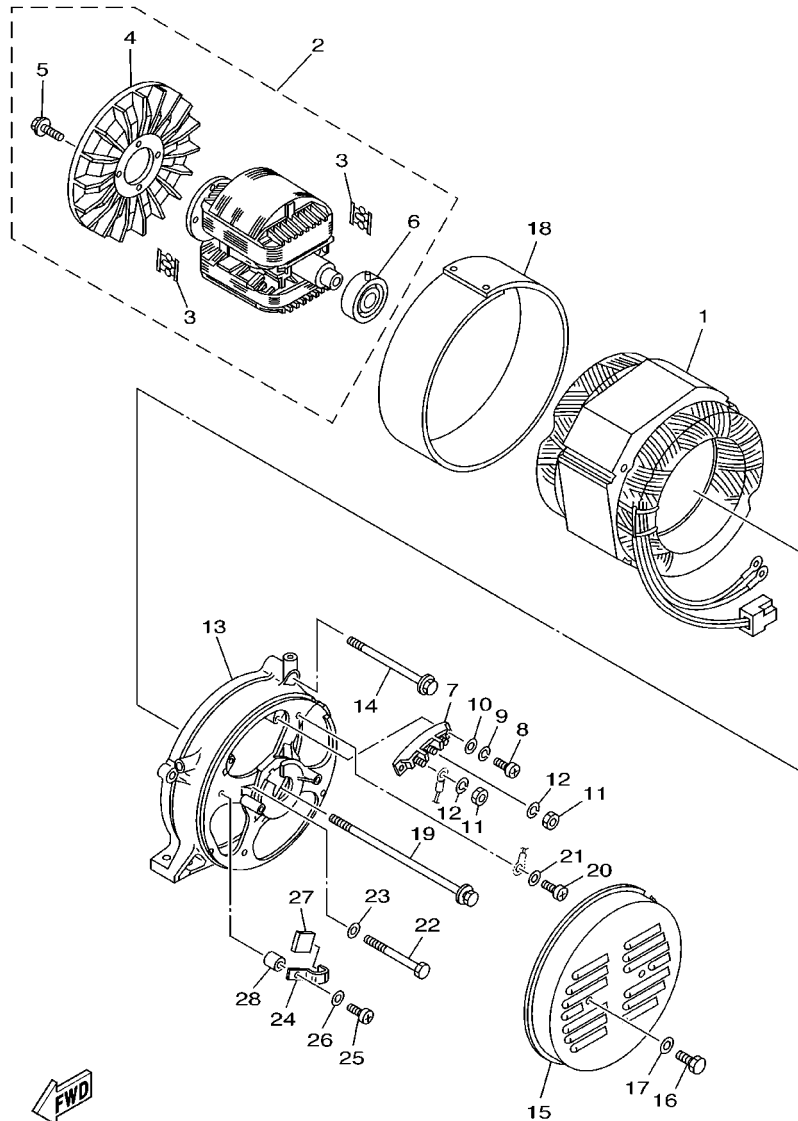


FIG. 12 CARRIER (OPTIONAL PARTS)

REF. NO.	PART NO.	DESCRIPTION	7VW2	7VW3	7VW4	REMARKS
1	7RH-25381-00	AXLE, WHEEL	1	1	1	
2	73A-22846-10	CASTER 2	2	2	2	
3	73A-25322-10	INSERT, SHAFT	2	2	2	
4	92907-20600	WASHER	2	2	2	
5	91401-30040	PIN, COTTER	2	2	2	
6	7RH-26100-00	HANDLE ASSY	1	1	1	
7	801-26241-01	GRIP	2	2	2	
8	7RH-2284F-00	PLATE 3	2	2	2	
9	7RH-22864-00	COVER, SIDE 1	2	2	2	
10	95807-06014	BOLT, FLANGE	2	2	2	
11	95807-06035	BOLT, FLANGE	2	2	2	
12	7LR-27111-01	STAND, MAIN	2	2	2	
13	95807-08016	BOLT, FLANGE	8	8	8	
14	95707-08500	NUT, FLANGE	8	8	8	

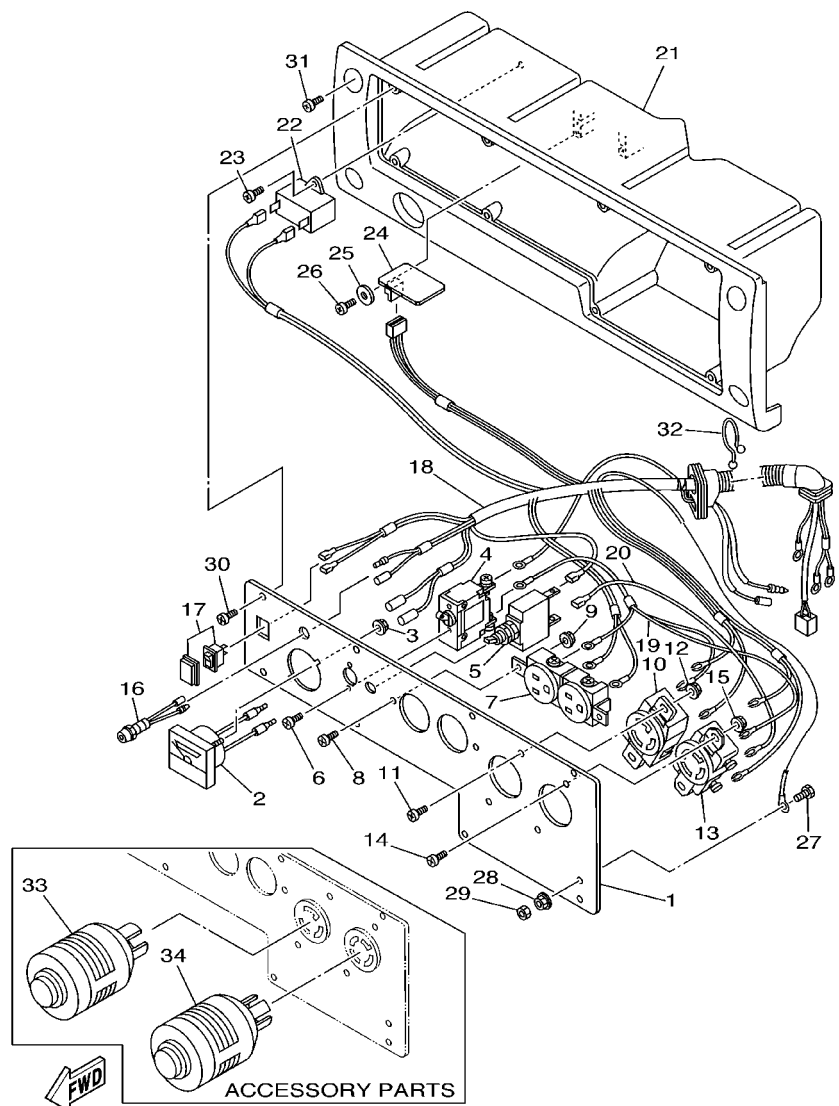
FIG. 14 GENERATOR



7VW1010-0140

REF. NO.	PART NO.	DESCRIPTION	7VW2	7VW3	7VW4	REMARKS
1	7VW-87150-60	STATOR ASSY	1			
	7VW-87150-G0	STATOR ASSY		1		
	7VW-87150-N0	STATOR ASSY			1	
2	7VW-87160-00	ROTOR ASSY	1	1	1	
3	7FK-87115-01	.RECTIFIER ASSY 2	4	4	4	
4	7LR-87172-01	.FAN, GENERATOR	1	1	1	
5	90159-06032	.SCREW, WITH WASHER	4	4	4	
6	93306-37202	.BEARING	1	1	1	
7	7LR-87220-00	TERMINAL SUB ASSY 1	1	1	1	
8	98507-05014	SCREW, PAN HEAD	2	2	2	
9	92907-05100	WASHER, SPRING	2	2	2	
10	92907-05600	WASHER, PLATE	2	2	2	
11	95307-05700	NUT	3			
	95307-05700	NUT		2	2	
12	92907-05100	WASHER, SPRING	3			
	92907-05100	WASHER, SPRING		2	2	
13	7LR-87131-02	FRAME, REAR	1	1	1	
14	95827-06085	BOLT, FLANGE	4	4	4	
15	7RH-87174-00-98	COVER, REAR END	1	1	1	LGB
16	97007-06010	BOLT	2	2	2	
17	92907-06600	WASHER, PLATE	2	2	2	
18	7VW-87153-00	COVER, STATOR	1	1	1	
19	7VW-81152-00	BOLT	1	1	1	
20	98507-05010	SCREW, PAN HEAD	1	1	1	
21	92907-05600	WASHER, PLATE	1	1	1	
22	97027-06080	BOLT	2	2	2	
23	92907-06600	WASHER, PLATE	2	2	2	

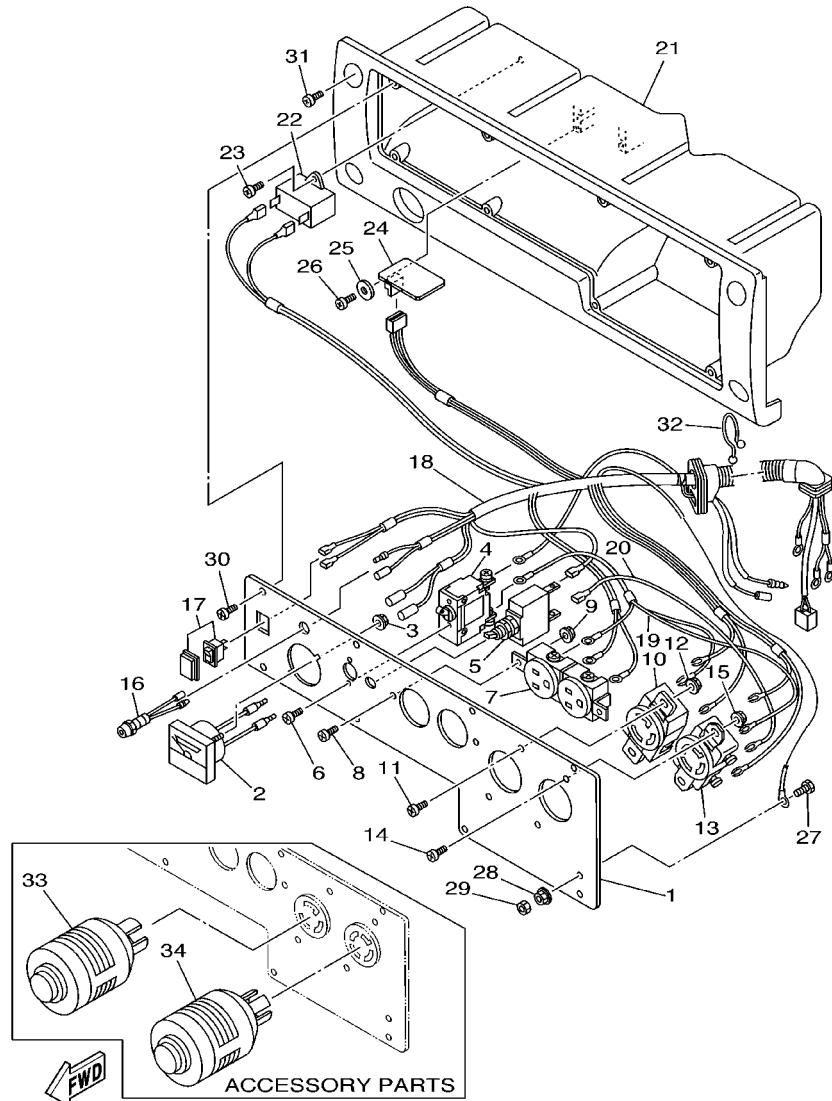
FIG. 15 CONTROL BOX 1 (120/240V/60Hz)



7VW2400-0150

REF. NO.	PART NO.	DESCRIPTION	7VW2	7VW3	7VW4	REMARKS
1	7VW-87249-60	PLATE	1			
2	7NJ-87202-70	METER SUB ASSY	1			
3	90179-03478	NUT	2			
4	7LV-8720H-80	BREAKER COMP, CIRCUIT	1			
5	7RG-87204-N0	BREAKER COMP. (AC240V-15A)	1			
6	98507-03006	SCREW, PAN HEAD	2			
7	77V-87221-00	RECEPTACLE	1			
8	98507-04012	SCREW, PAN HEAD	2			
9	95707-04500	NUT, FLANGE	2			
10	73H-87222-91	RECEPTACLE 2	1			UR P&S
	7LR-87221-90	RECEPTACLE 1 (WCF63130BO2)	1			UR MATSUSHITA
	7VU-87221-90	RECEPTACLE 1	1			UR MEIKOSHA
11	98507-04012	SCREW, PAN HEAD	2			
12	95707-04500	NUT, FLANGE	2			
13	7LR-87222-90	RECEPTACLE 2 (WCF63420BO2)	1			UR MATSUSHITA
	7UV-87222-40	RECEPTACLE (NEMA L14-20R)	1			UR MEIKOSHA
14	98507-04012	SCREW, PAN HEAD	2			
15	95707-04500	NUT, FLANGE	2			
16	7NJ-85770-00	OIL PILOT LIGHT ASSY	1			
17	7NJ-82550-00	ENGINE STOP SWITCH ASSY	1			
18	7VW-87226-60	WIRE HARNESS ASSY	1			
19	7VW-87224-60	WIRE, LEAD 2	1			
20	7VW-8722X-40	WIRE, LEAD 5	1			
21	7VW-87213-G0	COVER, CONTROL BOX	1			
22	7LG-87107-01	CONDENSER ASSY	1			
23	97707-40016	SCREW, TAPPING	1			
24	7LG-85690-00	OIL WARNING UNIT	1			

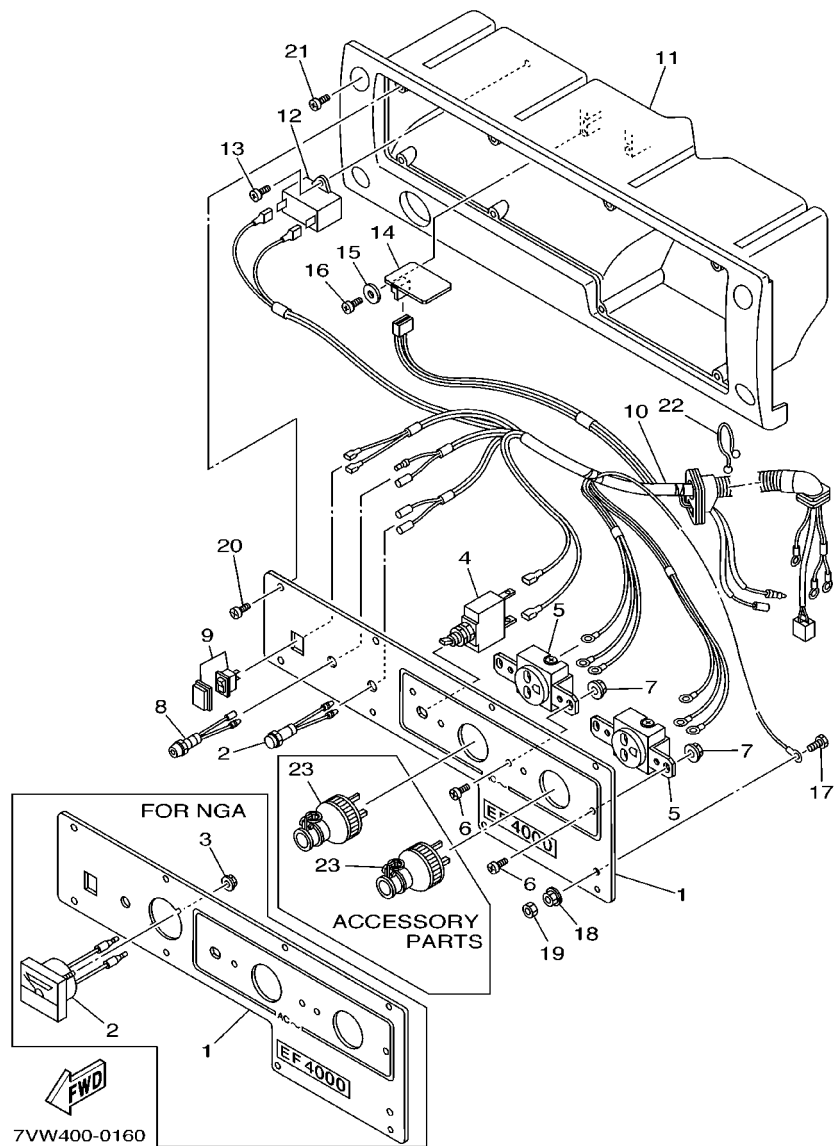
FIG. 15 CONTROL BOX 1 (120/240V/60Hz)



7VW2400-0150

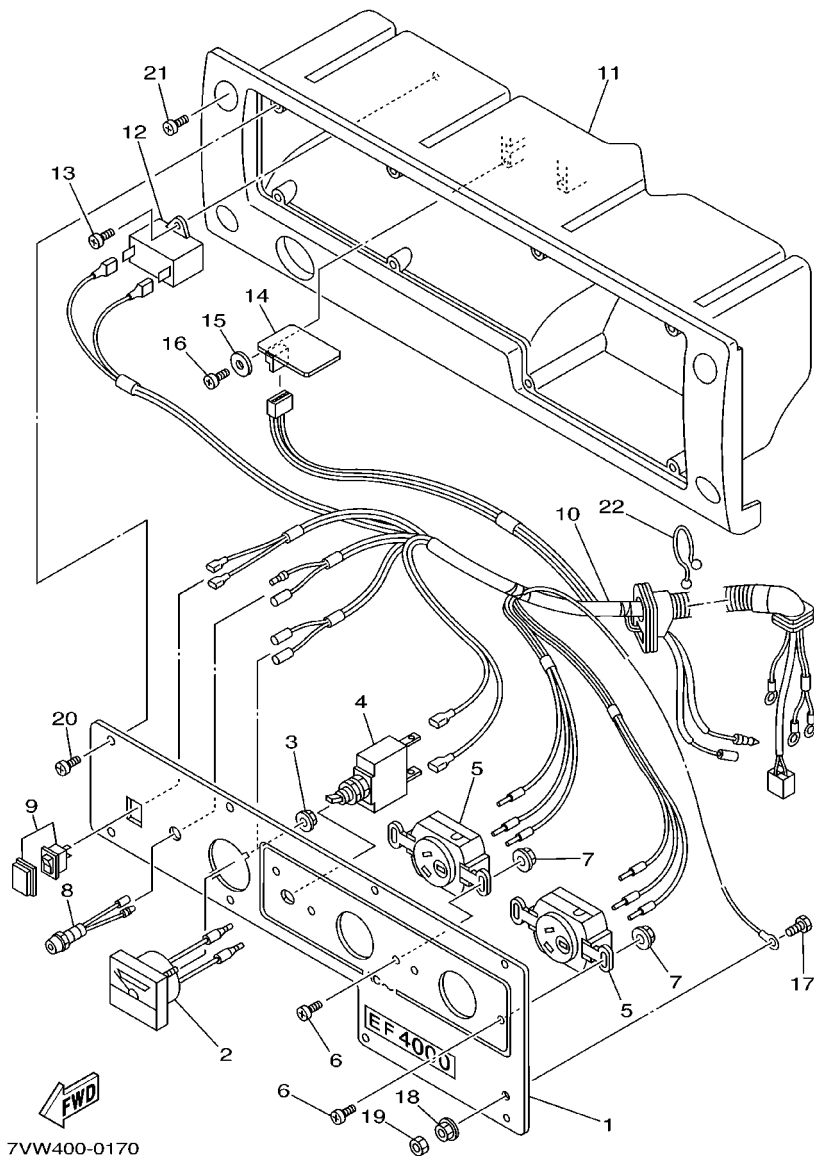
REF. NO.	PART NO.	DESCRIPTION	7VW2	7VW3	7VW4	REMARKS
25	90201-03013	WASHER, PLATE	1			
26	97707-30512	SCREW, TAPPING	1			
27	97080-05016	BOLT	1			
28	95707-05500	NUT, FLANGE	1			
29	95380-05700	NUT	1			
30	97707-40516	SCREW, TAPPING	8			
31	98907-06014	SCREW, BIND	4			
32	90464-25267	CLAMP	1			
33	7RH-87236-00	PLUG, AC RECEPTACLE (30A-125V)	1			ACCESSORY (NEMA L5-30P)
34	7RG-87236-10	PLUG, AC RECEPT. (20A-125V/250V)	1			ACCESSORY (NEMA L14-20P)

FIG. 16 CONTROL BOX 2 (220V/50Hz)



REF. NO.	PART NO.	DESCRIPTION	7VW2	7VW3	7VW4	REMARKS
1	7VW-87249-G0	PLATE		1		UR
	7VW-87249-N0	PLATE		1		UR FOR NGA
2	7NJ-83530-G0	PILOT LIGHT ASSY		1		UR
	7NJ-87202-A0	METER SUB ASSY		1		UR FOR NGA
3	90179-03478	NUT		2		FOR NGA
4	7VW-87204-G0	BREAKER COMP.		1		
5	7G7-87221-01	RECEPTACLE 1		2		NATIONAL WCZ131
6	98507-04012	SCREW, PAN HEAD		4		
7	95707-04500	NUT, FLANGE		4		
8	7NJ-85770-00	OIL PILOT LIGHT ASSY		1		
9	7NJ-82550-00	ENGINE STOP SWITCH ASSY		1		
10	7VW-87226-G0	WIRE HARNESS ASSY		1		
11	7VW-87213-G0	COVER, CONTROL BOX		1		
12	7LG-87107-01	CONDENSER ASSY		1		
13	97707-40016	SCREW, TAPPING		1		
14	7LG-85690-00	OIL WARNING UNIT		1		
15	90201-03013	WASHER, PLATE		1		
16	97707-30512	SCREW, TAPPING		1		
17	97080-05016	BOLT		1		
18	95707-05500	NUT, FLANGE		1		
19	95380-05700	NUT		1		
20	97707-40516	SCREW, TAPPING		8		
21	98907-06014	SCREW, BIND		4		
22	90464-25267	CLAMP		1		
23	7G7-87236-00	PLUG, AC RECEPTACLE (15A-250V)		2		ACCESSORY (41-919)

FIG. 17 CONTROL BOX 3 (240V/50Hz)



REF. NO.	PART NO.	DESCRIPTION	7VW2	7VW3	7VW4	REMARKS
1	7VW-87249-N0	PLATE			1	
2	7NJ-87202-A0	METER SUB ASSY			1	
3	90179-03478	NUT			2	
4	7VW-87204-N0	BREAKER COMP.			1	
5	73G-87221-90	RECEPTACLE 1 (CRIPSAL 415/15)			2	
6	98507-04012	SCREW, PAN HEAD			4	
7	95707-04500	NUT, FLANGE			4	
8	7NJ-85770-00	OIL PILOT LIGHT ASSY			1	
9	7NJ-82550-00	ENGINE STOP SWITCH ASSY			1	
10	7VW-87226-N0	WIRE HARNESS ASSY			1	
11	7VW-87213-G0	COVER, CONTROL BOX			1	
12	7LG-87107-01	CONDENSER ASSY			1	
13	97707-40016	SCREW, TAPPING			1	
14	7LG-85690-00	OIL WARNING UNIT			1	
15	90201-03013	WASHER, PLATE			1	
16	97707-30512	SCREW, TAPPING			1	
17	97080-05016	BOLT			1	
18	95707-05500	NUT, FLANGE			1	
19	95380-05700	NUT			1	
20	97707-40516	SCREW, TAPPING			8	
21	98907-06014	SCREW, BIND			4	
22	90464-25267	CLAMP			1	

NUMERICAL INDEX

PARTNO.	GRID NO.	PARTNO.	GRID NO.	PARTNO.	GRID NO.	PARTNO.	GRID NO.	PARTNO.	GRID NO.	PARTNO.	GRID NO.
7RG-11011-00	B - 11	7UH-13596-00	B - 7	7VJ-15723-00	B - 6	7LG-85690-00	C - 3	7RH-87236-00	C - 4	93306-20637	B - 10
7RG-11012-00	B - 11	7VW-14101-10	B - 8	7RH-15741-00	B - 6			7VW-87249-G0	C - 5	93306-37202	B - 15
7UH-11111-00	B - 2	4CW-14117-00	B - 8	JK4-15743-00	B - 6			7VW-87249-N0	C - 5	93440-06107	B - 4
7UH-11160-00	B - 2	620-1414J-17	B - 8	7NJ-15751-01	B - 6	7F7-85710-02	B - 12		C - 6	93450-19047	B - 3
7RH-11166-00	B - 2	73A-14150-00	B - 8	7EG-15755-00	B - 6	7UH-85720-10	B - 14	7VW-87249-60	C - 3	94702-00331	B - 2
7UH-11169-00	B - 2	7EA-14159-00	B - 8	7EG-15756-00	B - 6	7NJ-85724-00	B - 14	7J5-88195-00	C - 2	95307-05700	B - 15
7UH-11181-00	B - 2	7UH-14162-00	B - 8	7NJ-15793-00	B - 6	7NJ-85770-00	C - 3	90109-06513	B - 10	95307-08600	B - 9
7UH-11191-00	B - 2	796-14184-00	B - 8	7RH-2284F-00	B - 13			90109-06514	B - 10	95307-16600	B - 14
7UH-11193-00	B - 2	JN6-14185-00	B - 8	7VW-22840-00	B - 11			90116-06450	B - 2	95380-05700	C - 4
812-11198-00	B - 10	22F-14186-00	B - 8	73A-22846-10	B - 13	7LG-87107-01	C - 3	90153-05024	B - 9		C - 5
7VW-11400-00	B - 3	7E1-14191-00	B - 8	7VW-22850-00	B - 11			90159-06032	B - 15		C - 6
7UH-11603-00	B - 3	127-14198-00	B - 8	7RH-22864-00	B - 13			90173-06017	B - 4	95627-08618	B - 2
7UH-11604-00	B - 3	7LV-14211-00	B - 8	7VW-22891-00	B - 11	7FK-87115-01	B - 15	90179-03478	C - 3	95707-04500	C - 3
7UH-11605-00	B - 3	73A-14212-00	B - 8	7VW-24110-00-NJ	B - 12	7LV-8713J-00	C - 2		C - 5		C - 5
7UH-11631-00-AO	B - 3	73A-14212-10	B - 8	7LX-2415A-00	C - 7	7LR-87131-02	B - 15		C - 6		C - 6
214-11633-00	B - 3	7RH-14216-00	B - 8	7RK-24155-00	C - 7	7VW-87150-G0	B - 15	90201-03013	C - 4	95707-05500	C - 4
7UH-11635-00	B - 3	7R1-14216-01	B - 8	7VW-24161-10	C - 7	7VW-87150-N0	B - 15		C - 5		C - 5
7UH-11636-00	B - 3	1HX-1423E-34	B - 8	7NJ-24162-L0	C - 7	7VW-87150-60	B - 15		C - 6		C - 6
7UH-11650-00	B - 3	7VJ-14409-00	B - 7	7NJ-24162-N0	C - 7	7VW-87153-00	B - 15	90201-06380	B - 12	95707-06500	B - 7
JAG-11654-01	B - 3	7VJ-14411-00	B - 7	7NJ-24162-10	C - 7	7VW-87160-00	B - 15	90201-065K7	B - 4	95707-08500	B - 13
7RH-11913-00	B - 4	7VJ-14412-00	B - 7	630-24167-00	B - 12	7LR-87172-01	B - 15	90201-067L0	B - 4	95707-10500	B - 11
7FK-11914-00	B - 4	7RH-14429-00	B - 7	7LG-24181-00	B - 12	7RH-87174-00-98	B - 15	90201-08092	B - 4	95807-06008	B - 4
7KY-11917-00	B - 4	7VJ-14451-00	B - 7	7MJ-24237-00	C - 7	7LV-8720H-80	C - 3	90201-171J5	B - 9		B - 9
7RH-11922-00	B - 4	7VJ-14468-00	B - 7	7NJ-24500-01	B - 12	7NJ-87202-A0	C - 5	90280-04052	B - 14		B - 6
7UH-11924-00	B - 4	7VJ-14477-00	B - 7	7NJ-24515-00	B - 12			90340-12097	B - 10	95807-06010	B - 11
7VW-11925-00	B - 4	7RH-14486-00	B - 8	7J3-24521-00	B - 12	7NJ-87202-70	C - 3	90387-06N38	C - 2	95807-06012	B - 10
7LV-11928-10	B - 4	6K8-14597-10	B - 8	7NJ-24532-00	B - 12	7RG-87204-N0	C - 3	90445-100E9	B - 12		B - 4
73A-11931-00	B - 4	7UH-14613-00	B - 9	7NJ-24534-00	B - 12	7VW-87204-G0	C - 5	90462-05061	B - 10	95807-06014	B - 13
73A-11941-00	B - 4	7VW-14711-00	B - 9	4X8-24565-00	B - 12	7VW-87204-N0	C - 6	90464-25267	C - 4	95807-06035	B - 13
7RH-11970-00	B - 4	7VW-14718-00	B - 9	74T-24610-00	B - 12	7VW-87213-G0	C - 3		C - 5		B - 7
7UH-11971-00	B - 10	7VW-14737-00	B - 9	796-24612-00	B - 12				C - 6	95807-08016	B - 13
7UH-12111-00	B - 5	7NJ-14757-00	B - 10	73A-25322-10	B - 13			90467-09006	B - 12		B - 9
J38-12117-01	B - 5	7NJ-14788-00	B - 9	7RH-25381-00	B - 13	7VW-8722X-40	C - 3	90468-12006	B - 4	95807-10030	B - 11
J38-12118-00	B - 5	7NJ-1479E-00	B - 9	7RH-26100-00	B - 13	7LR-87220-00	B - 15	90501-10264	B - 4	95817-08040	B - 10
4G0-12119-00	B - 5	7NJ-14799-01	B - 9	801-26241-01	B - 13	7G7-87221-01	C - 5	90501-232G3	B - 5	95817-10070	B - 2
7UH-12121-00	B - 5	7UH-1495A-00	B - 8	7LR-27111-01	B - 13	7LR-87221-90	C - 3	90506-04003	B - 4	95827-06012	B - 14
JE8-12151-00	B - 5	7VW-15111-00	B - 10	7LV-28100-00	B - 11	7VU-87221-90	C - 3	90506-04495	B - 4		B - 2
JN6-12153-00	B - 5	796-15363-01	B - 10	7VW-41250-00	B - 4	73G-87221-90	C - 6	91401-30040	B - 13		B - 6
7UH-12154-00	B - 5	7VW-15411-00	B - 10	7VW-41256-00	B - 4	77V-87221-00	C - 3	92907-05100	B - 15	95827-06085	B - 15
7UH-12155-00	B - 5	7VW-15413-00	B - 10	7VW-81152-00	B - 15	7LR-87222-90	C - 3	92907-05600	B - 15	95880-06020	B - 14
7FK-12157-00	B - 5	7VW-15423-00	B - 10	JN6-82370-00	B - 14	7UV-87222-40	C - 3		C - 2	97007-06010	B - 15
7FK-12158-00	B - 5	7UH-15451-00	B - 10	7VW-82507-00	B - 14	73H-87222-91	C - 3	92907-06600	B - 15	97007-06012	B - 12
7FK-12165-00	B - 5	7VJ-15710-00	B - 6	7NJ-82550-00	C - 3	7VW-87224-60	C - 3		B - 4	97027-06030	B - 4
7UH-12170-00	B - 5	7RH-15711-00	B - 6			7VW-87226-G0	C - 5	92907-16600	B - 14	97027-06080	B - 15
7VW-12621-00	B - 6	JK4-15713-00	B - 6			7VW-87226-N0	C - 6	92907-20600	B - 13	97080-05016	C - 4
7UH-12651-00	B - 6	7RH-15714-00	B - 6	7NJ-83530-G0	C - 5	7VW-87226-60	C - 3	93102-30195	B - 10		C - 5
7UH-13557-00	B - 7	7RH-15715-00	B - 6	7UH-85640-00	B - 14	7G7-87236-00	C - 5	93109-08050	B - 10		C - 6
7UH-13567-00	B - 7	7RH-15716-00	B - 6	7UH-85650-00	B - 14	7RG-87236-10	C - 4	93210-22344	B - 10	97707-30512	C - 4

NUMERICAL INDEX

PARTNO.	GRID NO.	PARTNO.	GRID NO.	PARTNO.	GRID NO.	PARTNO.	GRID NO.	PARTNO.	GRID NO.
97707-30512	C - 5								
	C - 6								
97707-40016	C - 3								
	C - 5								
	C - 6								
97707-40516	C - 4								
	C - 5								
	C - 6								
98507-03006	C - 3								
98507-04012	C - 3								
	C - 5								
	C - 6								
98507-05010	B - 15								
98507-05014	B - 15								
98507-05020	C - 2								
98507-06035	B - 4								
98907-06014	C - 4								
	C - 5								
	C - 6								
99530-10116	B - 10								
99530-14016	B - 2								

CONTENTS

CYLINDER	B2
CRANKSHAFT. PISTON	B3
GOVERNOR	B4
CAMSHAFT.VALVE	B5
AIR SHROUD. STARTER	B6
INTAKE	B7
CARBURETOR	B8
EXHAUST	B9
CRANKCASE	B10
FRAME	B11
FUEL TANK	B12
CARRIER (OPTIONAL PARTS)	B13
MAGNETO	B14
GENERATOR	B15
CONTROL BOX 1 (120/240V/60Hz)	C3
CONTROL BOX 2 (220V/50Hz)	C5
CONTROL BOX 3 (240V/50Hz)	C6
LABELS	C7

INDEX

NUMERICAL INDEX	M1
-----------------------	----