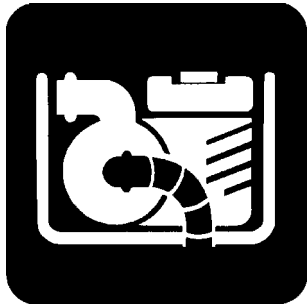


YAMAHA



PARTS CATALOGUE

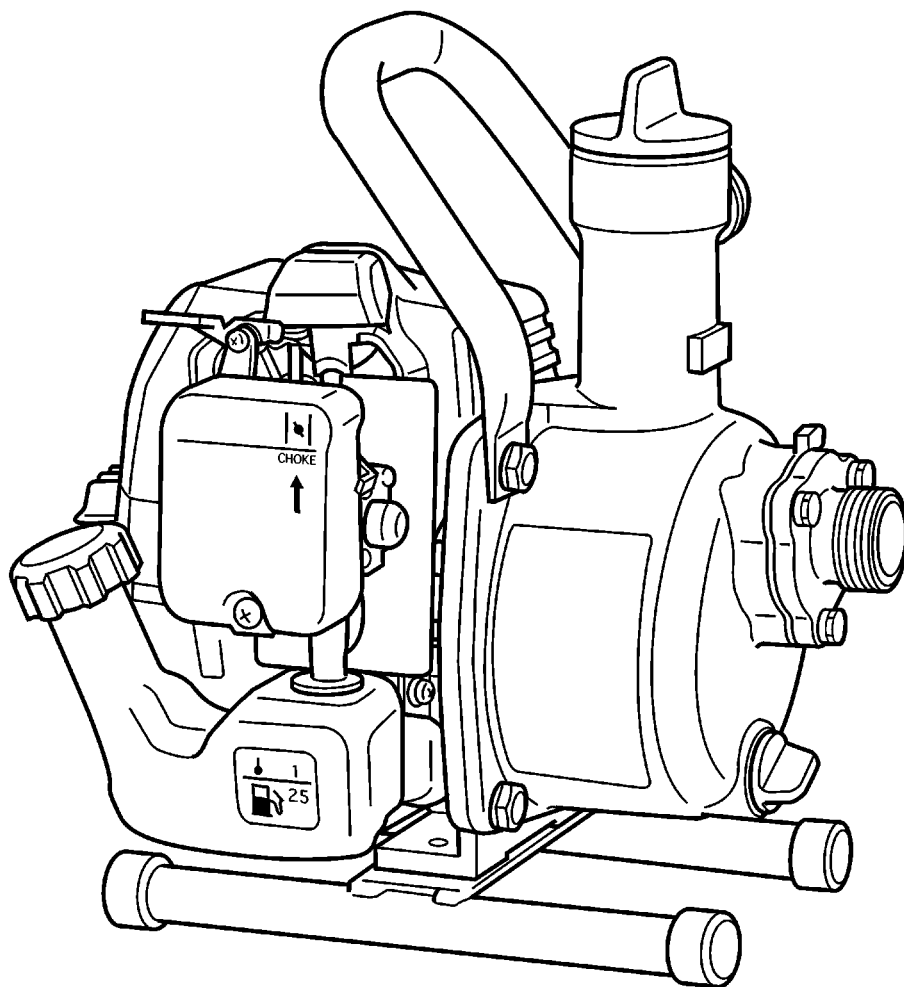
YAMAHA WATER PUMP
YP10G(7TY1)

OTHERS

YAMAHA
GENUINE
Parts & Accessories

287TY-400E2

A2



A3

FOREWORD

This Parts Catalogue is related to the parts for the model(s) in the below frame. When you are ordering replacement parts, please refer to this Parts Catalogue and quote both part numbers and part names correctly.

YP10G(7TY1)

1. Modifications or additions which have been made after issue of the Parts Catalogue will be announced in the Yamaha Parts News.
It is advisable that you make necessary corrections to the Parts Catalogue according to the Yamaha Parts News.

2. Abbreviations
The following abbreviations are used in this Parts Catalogue.

"UR" Use specified parts number.

"UN" Use as many as needed.

"AP" Alternate Parts

"LM" Local Made (Parts need to be ordered locally)

"F#" Frame No. (Applicable machine No.)

3. Parts, which are to be supplied in an assembly, are listed with a dot(.) in front of the part name as shown below.

EXAMPLE

CARBURETOR ASSY

.JET, PILOT

.NOZZLE, MAIN

4. Number of component for assembly

The numeral appearing to the right of each component part indicates the quantity of parts for each assembly unit.

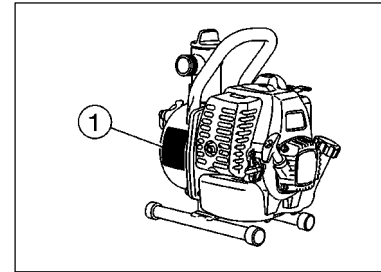
EXAMPLE

PART NO.	DESCRIPTION	Q'TY	REMARKS
2F5-83310-60	FRONT FLASHER LIGHT ASSY	2	
115-83311-60	.BULB (6V-18W)	1	

5. Applicable colors of graphics are represented in the "REMARKS" as shown below.

PART NO.	DESCRIPTION	Q'TY	REMARKS
2F5-83310-60	FRONT FLASHER LIGHT ASSY	2	
115-83311-60	.BULB (6V-18W)	1	

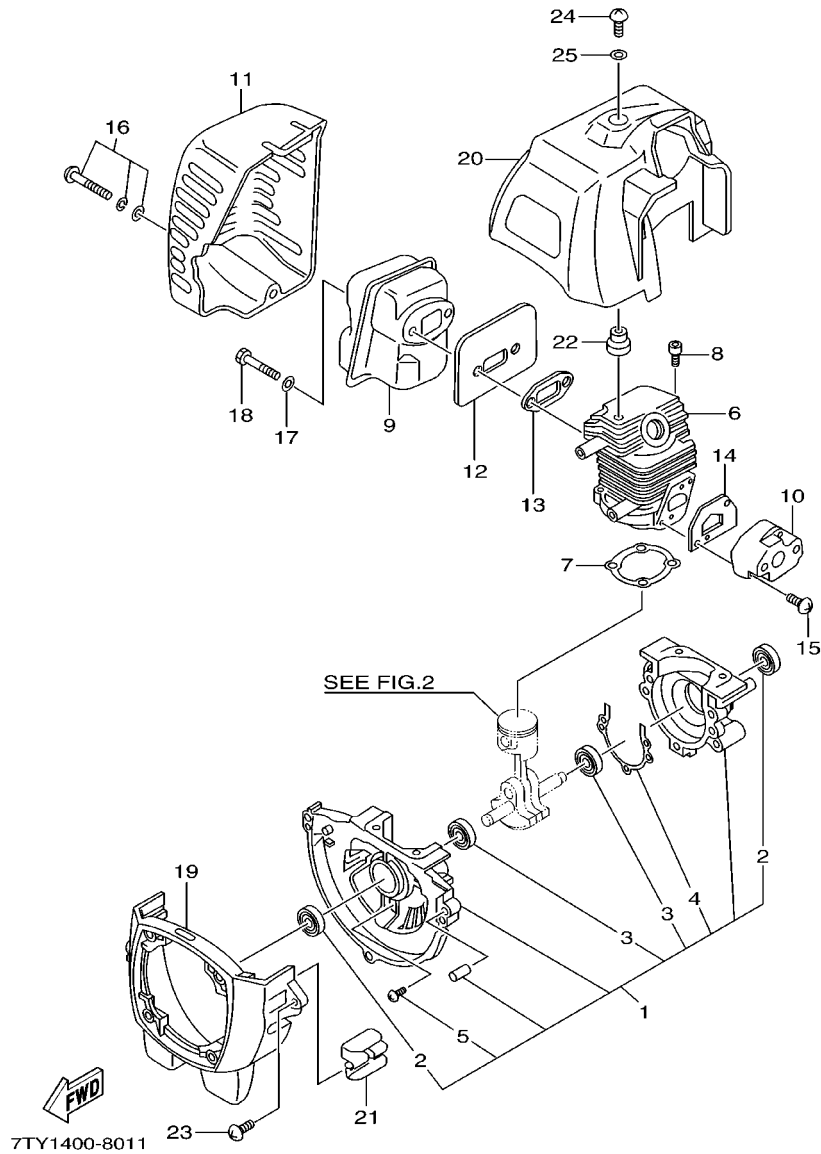
6. Applicable Serial No. and Color Code



Color Code	Color Name	Abbreviation
00NJ	FARAWAY BLUE	FWB

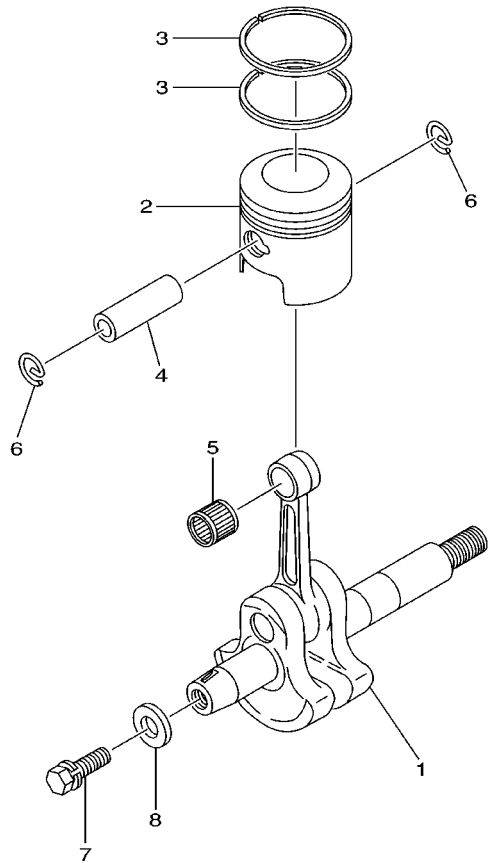
7. Note that the illustration for reference in finding parts numbers, not to be used for assembling. When assembling, please use the applicable service manual.

FIG. 1 CRANKCASE



REF. NO.	PART NO.	DESCRIPTION	7TY1				REMARKS
1	YA5-25100-30	CRANKCASE COMPL.	1				
2	YA0-44012-99-70	.OIL SEAL	2				
3	YA0-60012-99-20	.BALL BEARING	2				
4	YA5-23150-22-02	.GASKET, CRANKCASE	1				
5	YA0-14005-95-20	.SCREW (M5X25)	3				
6	YA5-25150-02	CYLINDER	1				
7	YA5-23150-23-04	GASKET, CYLINDER	1				
8	YA0-11905-97-30	SOCKET HEAD BOLT (M5X20)	2				
9	YA5-25301-10	MUFFLER, EXHAUST	1				
10	YA5-23301-40	INSULATER COMPL.	1				
11	YA5-25350-00	COVER, MUFFLER	1				
12	YA5-25350-01-01	GASKET, MUFFLER	1				
13	YA5-23350-43-02	GASKET, MUFFLER	1				
14	YA5-25350-02	GASKET, INSULATER	1				
15	YA0-14005-95	SCREW AND WASHER ASSY (M5X25)	2				
16	YA0-04370-51-60	SCREW AND WASHER ASSY	1				
17	YA0-03100-50	WASHER	2				
18	YA0-11905-96-60	SOCKET HEAD BOLT (M5X50)	2				
19	YA5-25550-00-01	HOUSING, BLOWER	1				
20	YA5-25550-32	COVER, CYLINDER	1				
21	YA5-21550-03	PLATE, BAFFLE	1				
22	YA5-50350-30-01	SPACER, COVER	1				
23	YA0-04310-51-60	SCREW, PAN HEAD (M5X16)	3				
24	YA0-14005-94-90	SCREW (M5X16)	1				
25	YA0-20007-00-10	WASHER	1				

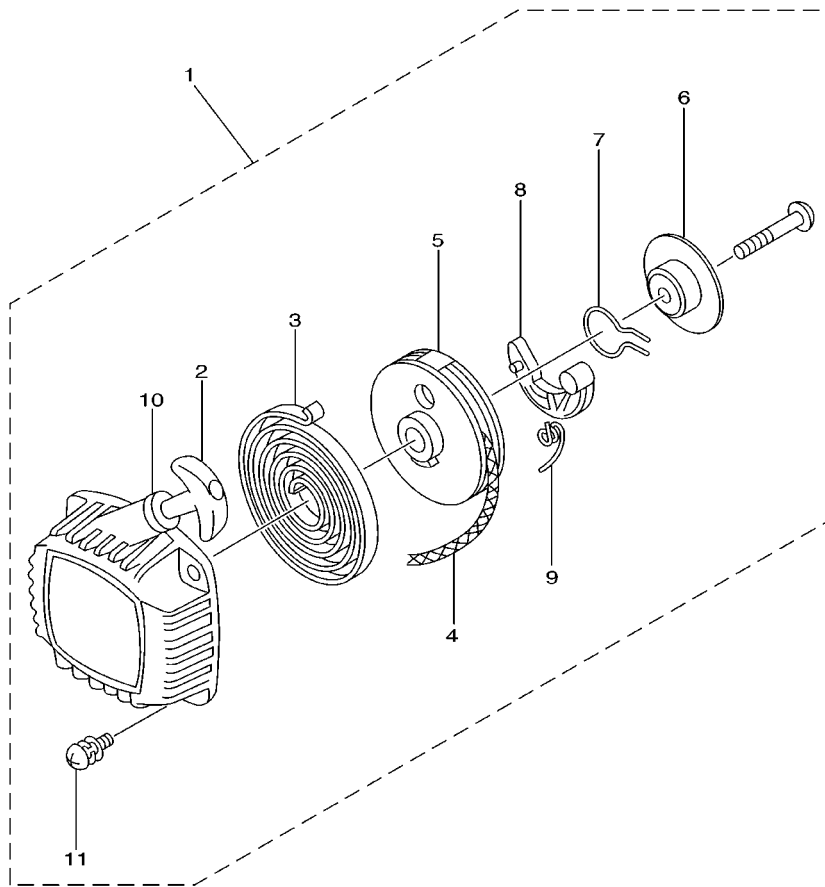
FIG. 2 CRANKSHAFT. PISTON




7TY1400-8021

REF. NO.	PART NO.	DESCRIPTION	7TY1				REMARKS
1	YA5-25200-30	CRANKSHAFT COMPL.	1				
2	YA5-23250-19-02	PISTON	1				
3	YA5-24250-07-01	RING, PISTON	2				
4	YA5-23250-26	PIN, PISTON	1				
5	YA0-61008-99-90	NEEDLE ROLLER BEARING	1				
6	YA0-56508-99-70	CLIP	2				
7	YA0-01130-61-60	BOLT AND WASHER ASSY (M6X16)	1				
8	YA0-03120-60	WASHER (M6)	1				

FIG. 3 STARTER

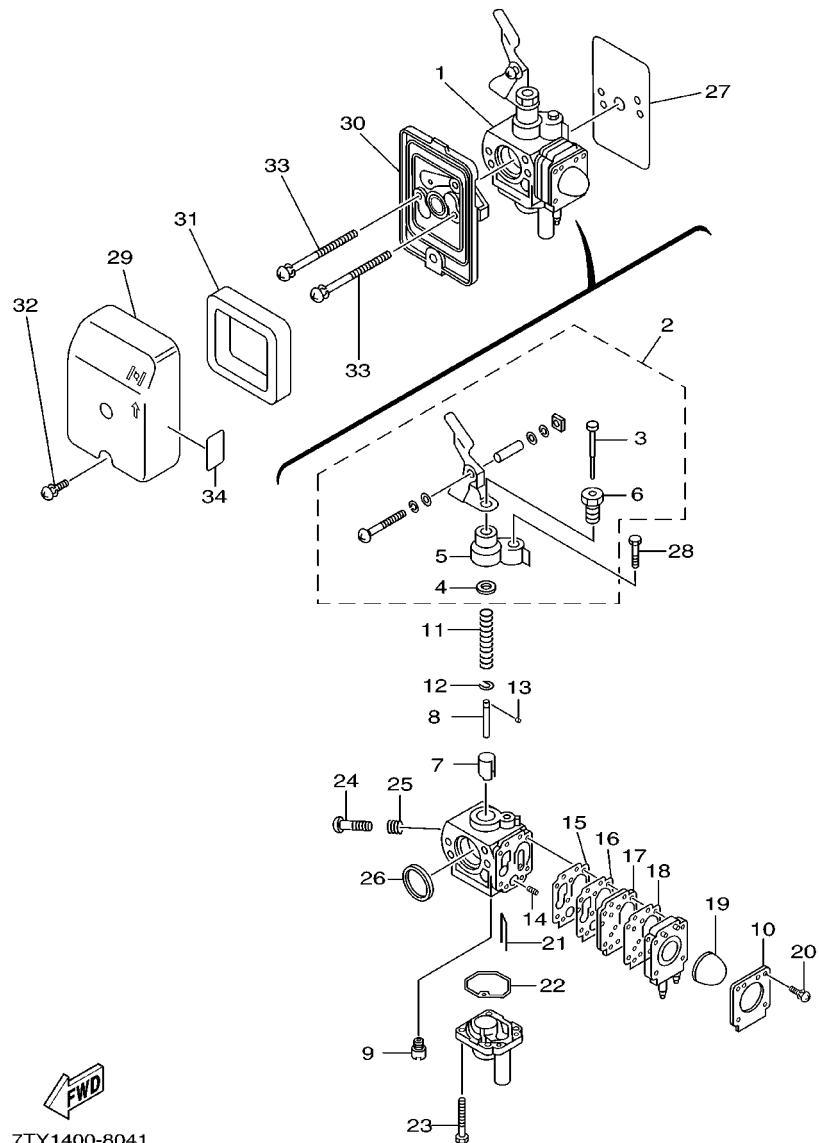


REF. NO.	PART NO.	DESCRIPTION	7TY1				REMARKS
1	YA5-25500-10	STARTER, REWIND	1				
2	YA5-22500-40-20	.STARTER KNOB	1				
3	YA5-02500-10-20	.SPIRAL SPRING	1				
4	YA5-23502-40-22	.STARTER ROPE	1				
5	YA5-02500-10-10	.REEL	1				
6	YA5-21500-20-40	.WASHER	1				
7	YA5-10501-50-50	.SPRING WASHER	1				
8	YA5-10501-50-20	.RACHET	1				
9	YA5-10501-50-60	.RETURN SPRING	1				
10	YA5-25500-10-40	.DAMPER	1				
11	YA0-14005-94-80	.SCREW AND WASHER ASSY (M5X14)	4				



7TY1400-8031

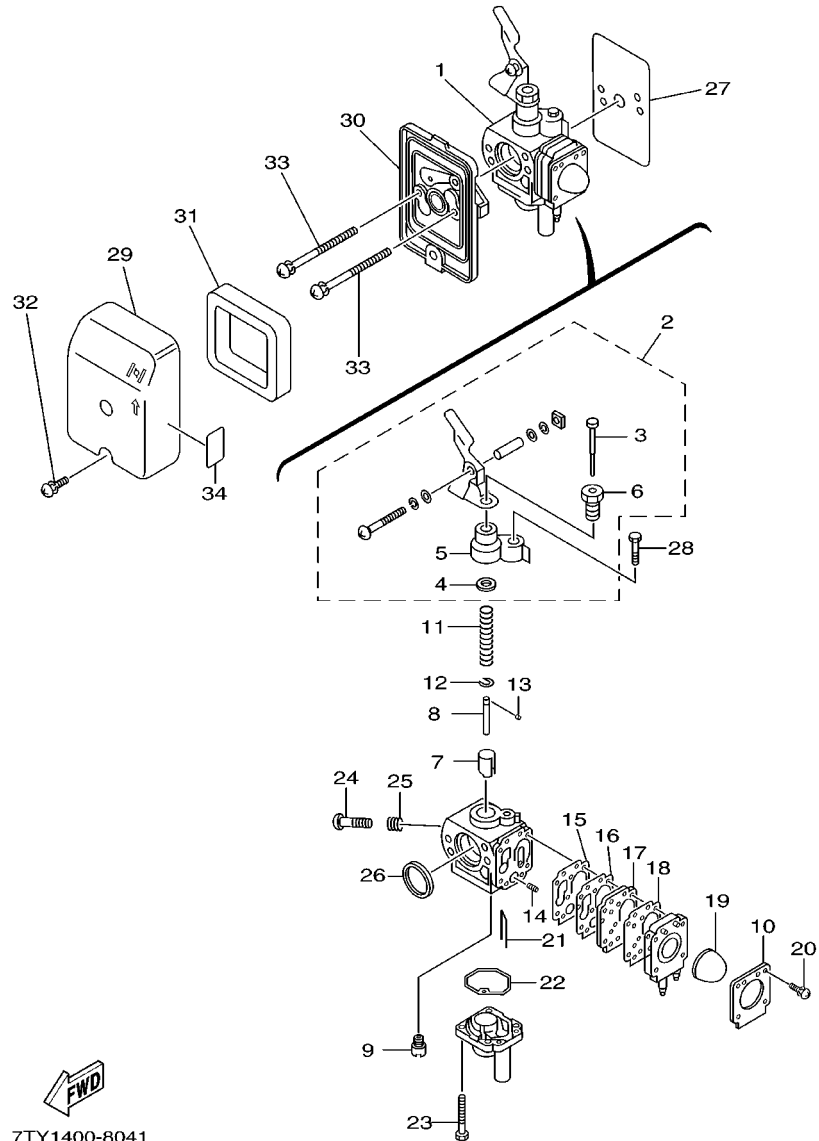
FIG. 4 CARBURETOR



7TY1400-8041

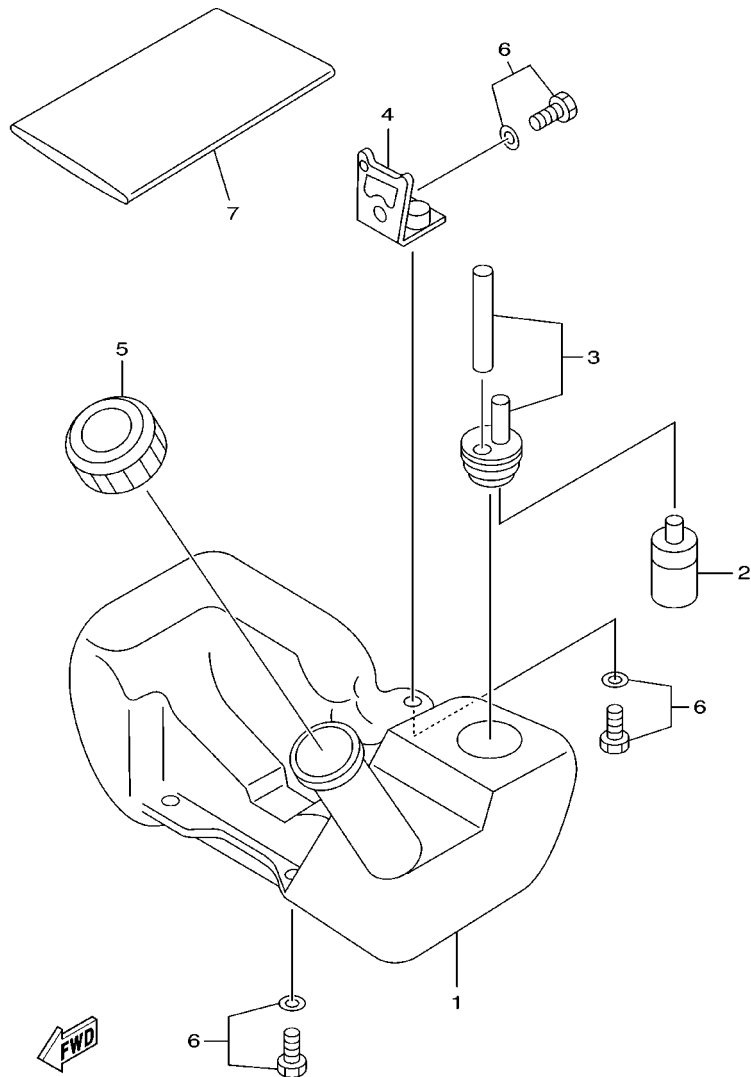
REF. NO.	PART NO.	DESCRIPTION	7TY1				REMARKS
1	YA5-25601-50	CARBURETOR ASSY	1				
2	YA5-25601-50-30	.THROTTLE LEVER ASSY	1				
3	YA5-25601-50-40	..CONTROL CABLE	1				
4	YA5-24601-00-30	..CAP PACKING	1				
5	YA5-25601-50-60	..CAP	1				
6	YA5-25601-50-50	..BOLT	1				
7	YA5-24601-00-50	.THROTTLE VALVE	1				
8	YA5-25601-50-20	.JET NEEDLE	1				
9	YA5-23601-40-50	.MAIN JET	1				
10	YA5-23603-30-50	.PUMP PLATE	1				
11	YA5-10603-30-40	.THROTTLE SPRING	1				
12	YA5-10604-80-40	.SPRING RECEIVE	1				
13	YA5-10604-80-50	.JET NEEDLE CLIP	1				
14	YA5-42600-32-10	..CHECK VALVE SPRING	1				
15	YA5-23603-14-40	.PUMP PACKING	1				
16	YA5-24601-02-40	.PUMP DIAPHRAGM	1				
17	YA5-24600-53-12	.PUMP PLATE	1				
18	YA5-24600-52-63	.PACKING	1				
19	YA5-23603-12-30	.PRIMER PUMP	1				
20	YA5-23603-12-40	.SCREW (M3X14)	4				
21	YA5-24601-01-40	.DRAIN WIRE	1				
22	YA5-24601-01-60	.CHAMBER PACKING	1				
23	YA5-10604-12-20	.SCREW (M3X10)	4				
24	YA5-24601-01-20	.SLOW STOP SCREW	1				
25	YA5-10604-82-40	.ADJUST SPRING	1				
26	YA5-23603-10-50	.FLANGE PACKING	1				
27	YA5-25350-09	GASKET CARBURETOR	1				

FIG. 4 CARBURETOR



7TY1400-8041

REF. NO.	PART NO.	DESCRIPTION	7TY1				REMARKS
28	YA5-24601-00-40	SCREW	1				
29	YA5-25301-20-40	CLEANER COVER ASSY	1				
30	YA5-25301-20-30	CLEANER BODY ASSY	1				
31	YA5-25301-20-20	ELEMENT	1				
32	YA5-25301-20-10	SCREW (M5X15)	1				
33	YA0-04330-56	SCREW AND WASHER ASSY (M5X60)	2				
34	YA5-25950-34	LABEL, OPERATION	1				

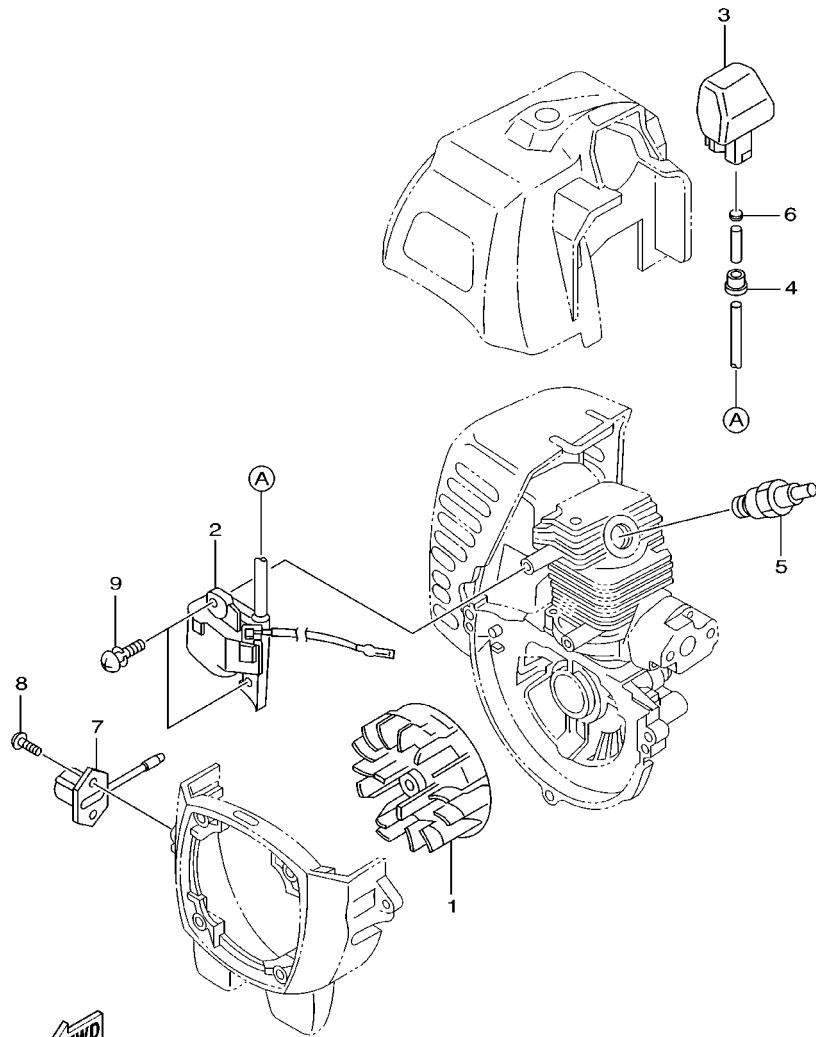


7TY1400-8050

FIG. 5 FUEL TANK

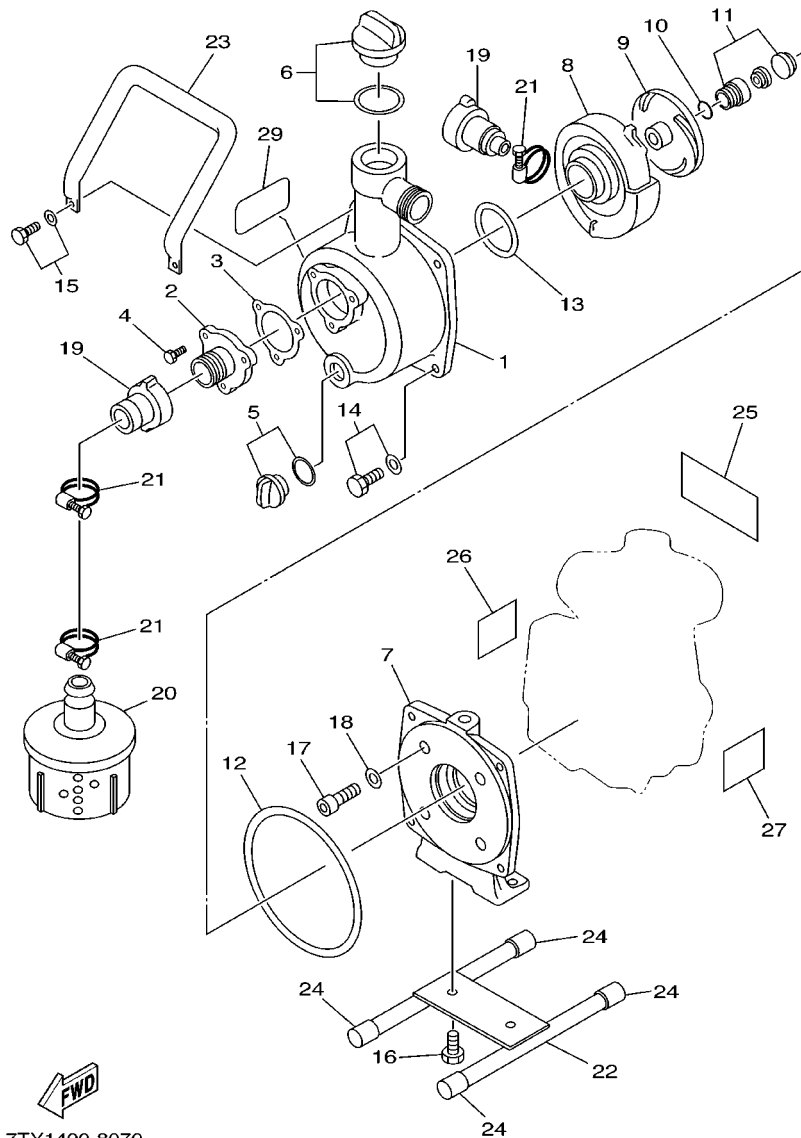
REF. NO.	PART NO.	DESCRIPTION	7TY1				REMARKS
1	YA5-25650-09	TANK, FUEL	1				
2	YA5-23650-39	FILTER	1				
3	YA5-25600-90	TUBE ASSY	1				
4	YA5-25600-20	PLATE, TANK FUEL	1				
5	YA5-23600-70-01	CAP	1				
6	YA0-04370-51-60	SCREW AND WASHER ASSY	4				
7	YA5-01900-10	ACCESSORY TOOLS KIT	1				

FIG. 6 MAGNETO



REF. NO.	PART NO.	DESCRIPTION	7TY1					REMARKS
1	YA5-25700-10-10	FLYWHEEL	1					
2	YA5-25700-10-20	COIL IGNITION	1					
3	YA5-23750-33-01	CAP	1					
4	YA5-25750-03	GROMMET	1					
5	YA0-65014-97-21	SPARK PLUG (BMR7A)	1					
6	YA0-65400-99-31	SPRING	1					
7	YA0-66000-03-71	SWITCH ASSY	1					
8	YA0-04330-41	SCREW AND WASHER ASSY (M4X10)	2					
9	YA0-14004-99-20	SCREW (M4X10)	2					

7TY1400-8060



7TY1400-8070

FIG. 7 WATER PUMP

REF. NO.	PART NO.	DESCRIPTION	7TY1				REMARKS
1	YJA-01151-08-01	PUMP CASING	1				
2	YJA-01133-25-01	SUCTION FLANGE	1				
3	YJA-01133-26-01	CHECK VALVE	1				
4	YJA-74311-90-32	HEXAGON BOLT	3				
5	YJA-01480-10-01	PLUG SET	1				
<hr/>							
6	YJA-01184-50-01	PLUG SET	1				
7	YJA-01149-92-01	FLANGE BRACKET	1				
8	YJA-01125-28-02	VOLUTE CASE	1				
9	YJA-01149-93-01	IMPELLER	1				
10	YJA-01139-44-01	ADJUSTING WASHER (0.2T)	2				UR
	YJA-01402-51-03	ADJUSTING WASHER (0.3T)	2				UR
<hr/>							
11	YJA-01402-73-01	MECHANICAL SEAL	1				
12	YJA-89025-50-31	O-RING	1				
13	YJA-88985-50-42	O-RING	4				
14	YJA-74311-90-45	HEXAGON BOLT (M8X20)	2				
<hr/>							
15	YJA-74311-90-46	HEXAGON BOLT (M8X22)	2				
16	YJA-74311-90-43	HEXAGON BOLT (M8X16)	2				
17	YJA-73453-22-74	HEXAGON SOCKET BOLT	4				
18	YJA-85425-50-05	SEAL WASHER	4				
19	YJA-03481-24-01	COUPLING SET	2				
<hr/>							
20	YJA-01181-93-01	STRAINER SET	1				
21	YJA-94001-90-32	HOSE BAND	3				
22	YJA-01182-67-03	BASE SET	1				
23	YJA-01142-77-04	HANDLE	1				
24	YJA-01125-76-01	PROTECTOR	4				
<hr/>							
25	YJA-01153-60-01	EMBLEM	1				
26	YJA-01153-37-01	LABEL (OIL MIXTURE RATIO)	1				

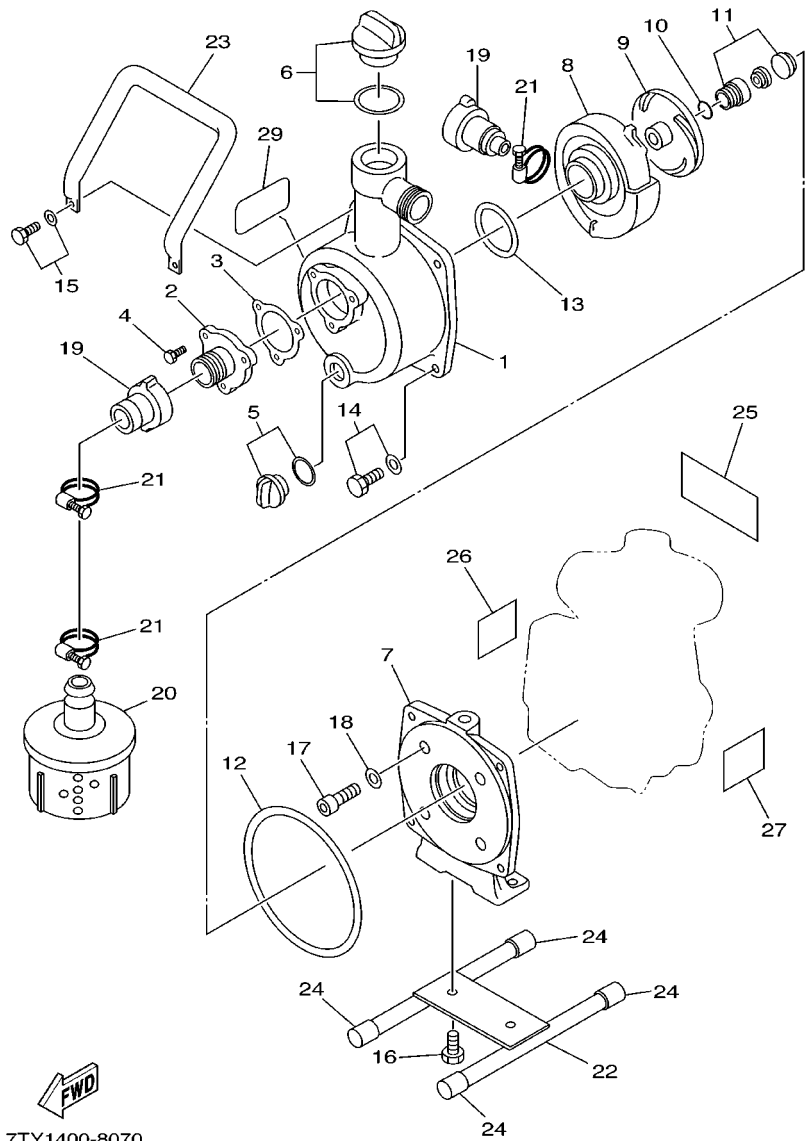


FIG. 7 WATER PUMP

REF. NO.	PART NO.	DESCRIPTION	7TY1				REMARKS
27	YJA-01153-38-01	LABEL, CAUTION	1				
28	YJA-01153-39-01	LABEL, WARNING	1				

NUMERICAL INDEX

PART NO.	GRID NO.	PART NO.	GRID NO.	PART NO.	GRID NO.	PART NO.	GRID NO.	PART NO.	GRID NO.	PART NO.	GRID NO.
YA0-01130-61-60	B - 3	YA5-23603-12-40	B - 5	YJA-01133-25-01	B - 9						
YA0-03100-50	B - 2	YA5-23603-14-40	B - 5	YJA-01133-26-01	B - 9						
YA0-03120-60	B - 3	YA5-23603-30-50	B - 5	YJA-01139-44-01	B - 9						
YA0-04310-51-60	B - 2	YA5-23650-39	B - 7	YJA-01142-77-04	B - 9						
YA0-04330-41	B - 8	YA5-23750-33-01	B - 8	YJA-01149-92-01	B - 9						
YA0-04330-56	B - 6	YA5-24250-07-01	B - 3	YJA-01149-93-01	B - 9						
YA0-04370-51-60	B - 2	YA5-24600-52-63	B - 5	YJA-01151-08-01	B - 9						
	B - 7	YA5-24600-53-12	B - 5	YJA-01153-37-01	B - 9						
YA0-11905-96-60	B - 2	YA5-24601-00-30	B - 5	YJA-01153-38-01	B - 10						
YA0-11905-97-30	B - 2	YA5-24601-00-40	B - 6	YJA-01153-39-01	B - 10						
YA0-14004-99-20	B - 8	YA5-24601-00-50	B - 5	YJA-01153-60-01	B - 9						
YA0-14005-94-80	B - 4	YA5-24601-01-20	B - 5	YJA-01181-93-01	B - 9						
YA0-14005-94-90	B - 2	YA5-24601-01-40	B - 5	YJA-01182-67-03	B - 9						
YA0-14005-95	B - 2	YA5-24601-01-60	B - 5	YJA-01184-50-01	B - 9						
YA0-14005-95-20	B - 2	YA5-24601-02-40	B - 5	YJA-01402-51-03	B - 9						
YA0-20007-00-10	B - 2	YA5-25100-30	B - 2	YJA-01402-73-01	B - 9						
YA0-44012-99-70	B - 2	YA5-25150-02	B - 2	YJA-01480-10-01	B - 9						
YA0-56508-99-70	B - 3	YA5-25200-30	B - 3	YJA-03481-24-01	B - 9						
YA0-60012-99-20	B - 2	YA5-25301-10	B - 2	YJA-73453-22-74	B - 9						
YA0-61008-99-90	B - 3	YA5-25301-20-10	B - 6	YJA-74311-90-32	B - 9						
YA0-65014-97-21	B - 8	YA5-25301-20-20	B - 6	YJA-74311-90-43	B - 9						
YA0-65400-99-31	B - 8	YA5-25301-20-30	B - 6	YJA-74311-90-45	B - 9						
YA0-66000-03-71	B - 8	YA5-25301-20-40	B - 6	YJA-74311-90-46	B - 9						
YA5-01900-10	B - 7	YA5-25350-00	B - 2	YJA-85425-50-05	B - 9						
YA5-02500-10-10	B - 4	YA5-25350-01-01	B - 2	YJA-88985-50-42	B - 9						
YA5-02500-10-20	B - 4	YA5-25350-02	B - 2	YJA-89025-50-31	B - 9						
YA5-10501-50-20	B - 4	YA5-25350-09	B - 5	YJA-94001-90-32	B - 9						
YA5-10501-50-50	B - 4	YA5-25500-10	B - 4								
YA5-10501-50-60	B - 4	YA5-25500-10-40	B - 4								
YA5-10603-30-40	B - 5	YA5-25550-00-01	B - 2								
YA5-10604-12-20	B - 5	YA5-25550-32	B - 2								
YA5-10604-80-40	B - 5	YA5-25600-20	B - 7								
YA5-10604-80-50	B - 5	YA5-25600-90	B - 7								
YA5-10604-82-40	B - 5	YA5-25601-50	B - 5								
YA5-21500-20-40	B - 4	YA5-25601-50-20	B - 5								
YA5-21550-03	B - 2	YA5-25601-50-30	B - 5								
YA5-22500-40-20	B - 4	YA5-25601-50-40	B - 5								
YA5-23150-22-02	B - 2	YA5-25601-50-50	B - 5								
YA5-23150-23-04	B - 2	YA5-25601-50-60	B - 5								
YA5-23250-19-02	B - 3	YA5-25650-09	B - 7								
YA5-23250-26	B - 3	YA5-25700-10-10	B - 8								
YA5-23301-40	B - 2	YA5-25700-10-20	B - 8								
YA5-23350-43-02	B - 2	YA5-25750-03	B - 8								
YA5-23502-40-22	B - 4	YA5-25950-34	B - 6								
YA5-23600-70-01	B - 7	YA5-42600-32-10	B - 5								
YA5-23601-40-50	B - 5	YA5-50350-30-01	B - 2								
YA5-23603-10-50	B - 5	YJA-01125-28-02	B - 9								
YA5-23603-12-30	B - 5	YJA-01125-76-01	B - 9								

CONTENTS

CRANKCASE -----	B2
CRANKSHAFT. PISTON -----	B3
STARTER -----	B4
CARBURETOR-----	B5
FUEL TANK-----	B7
MAGNETO -----	B8
WATER PUMP -----	B9

INDEX

NUMERICAL INDEX -----	M1
-----------------------	----